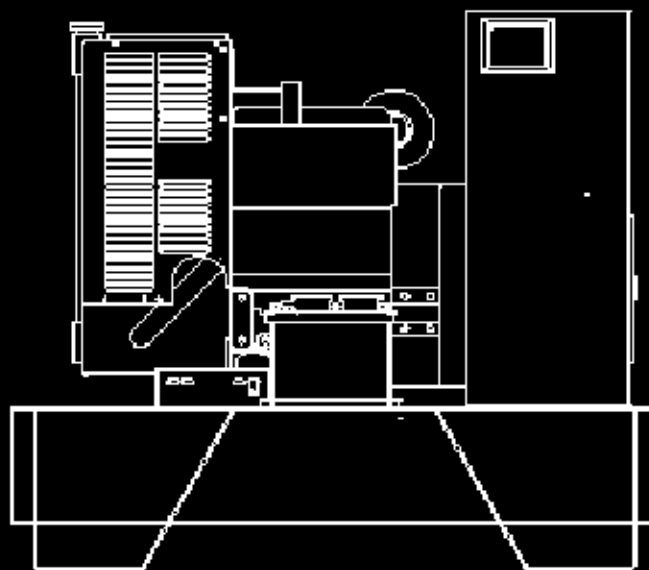


# Parts Catalogue

**Generating Set**

**C11 D5 and D6 (PCC1300 and 1301)**



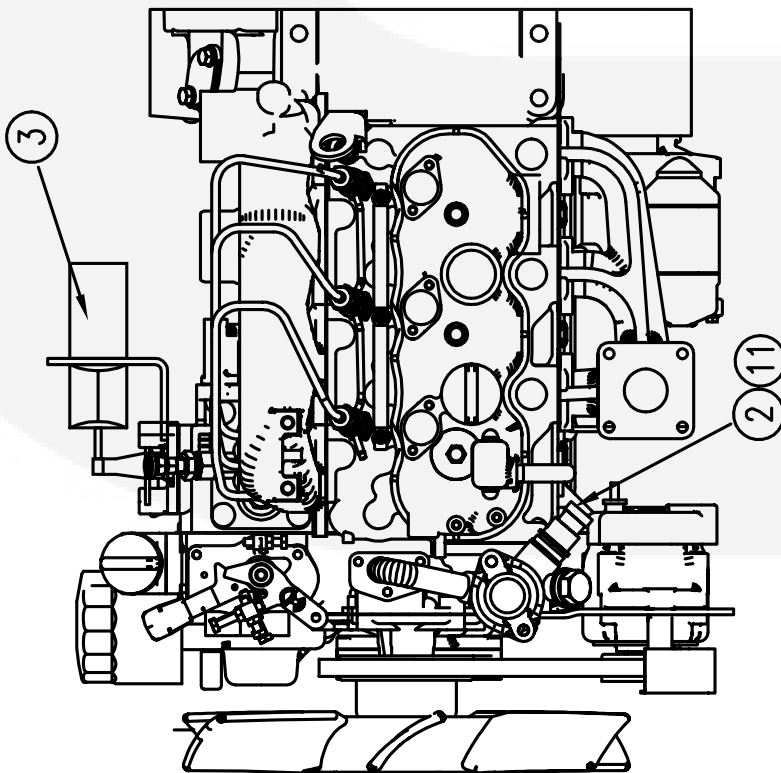
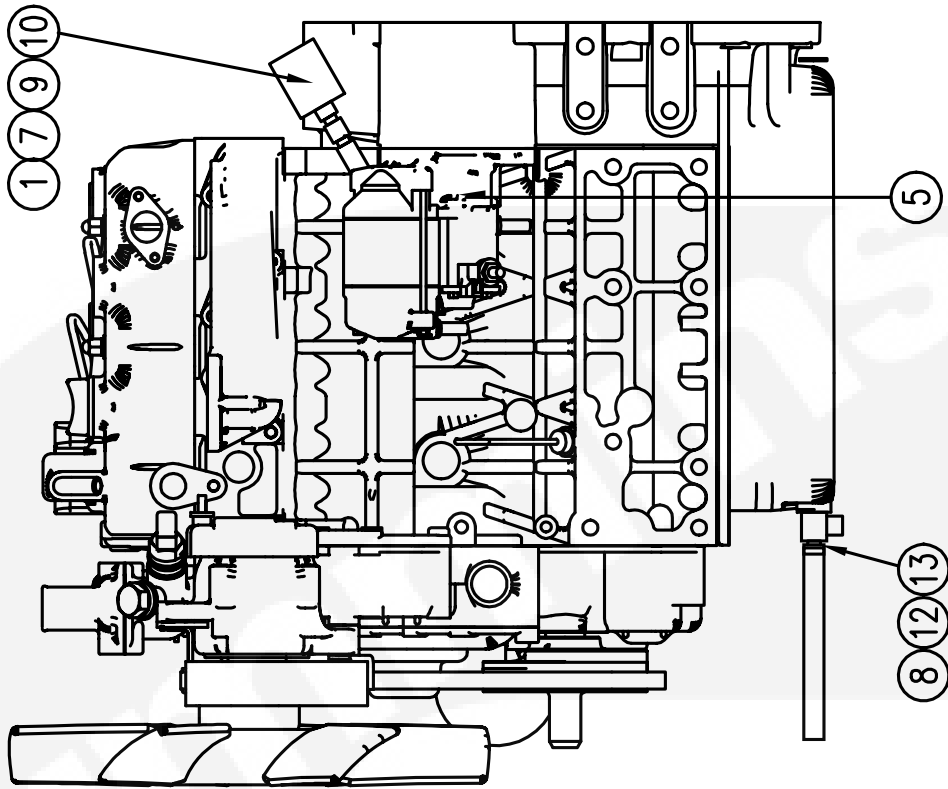


# CONTENTS

0100-3920	Engine Accessories (Denso Radiator)	.....	5
0100-4025	Engine Accessories (SRF Radiator)	.....	7
0179-3766	Battery Charger Instl	.....	9
0179-3771	Miniature Circuit Breaker Instl	.....	11
0179-3772	Circuit Breaker Instl	.....	13
0179-3773	Transformer Instl	.....	15
0179-3784	Air Cleaner Instl	.....	17
0179-3787	Engine Heater	.....	19
0179-3806	Radiator Instl-Denso	.....	21
0179-3822	Genset Instl (Denso Radiator)	.....	23
0179-3997	Muffler Instl	.....	25
0179-4128	Skid Instl (With Tank)	.....	27
0179-4488	Radiator Instl-SRF	.....	29
0179-4499	Genset Instl (SRF Radiator)	.....	31
0300-5900	Control Assy (PCC1300/1301)	.....	33
0405-8290	Enclosure Assy	.....	35
0541-1162	Loose Muffler Option	.....	36



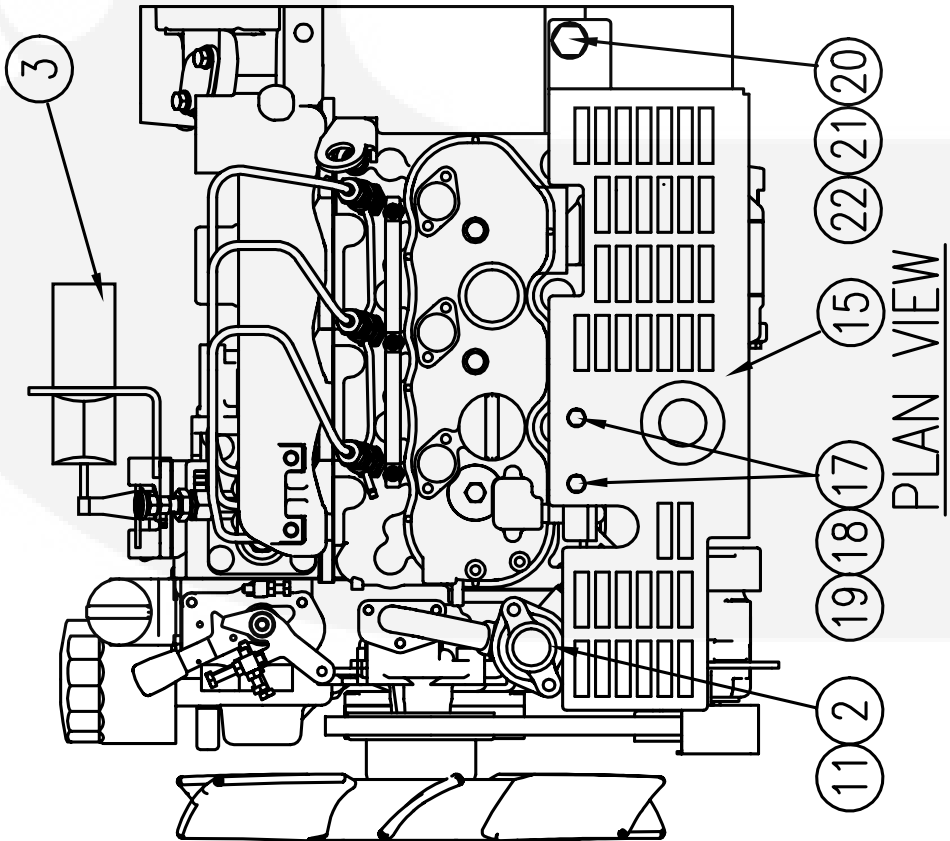
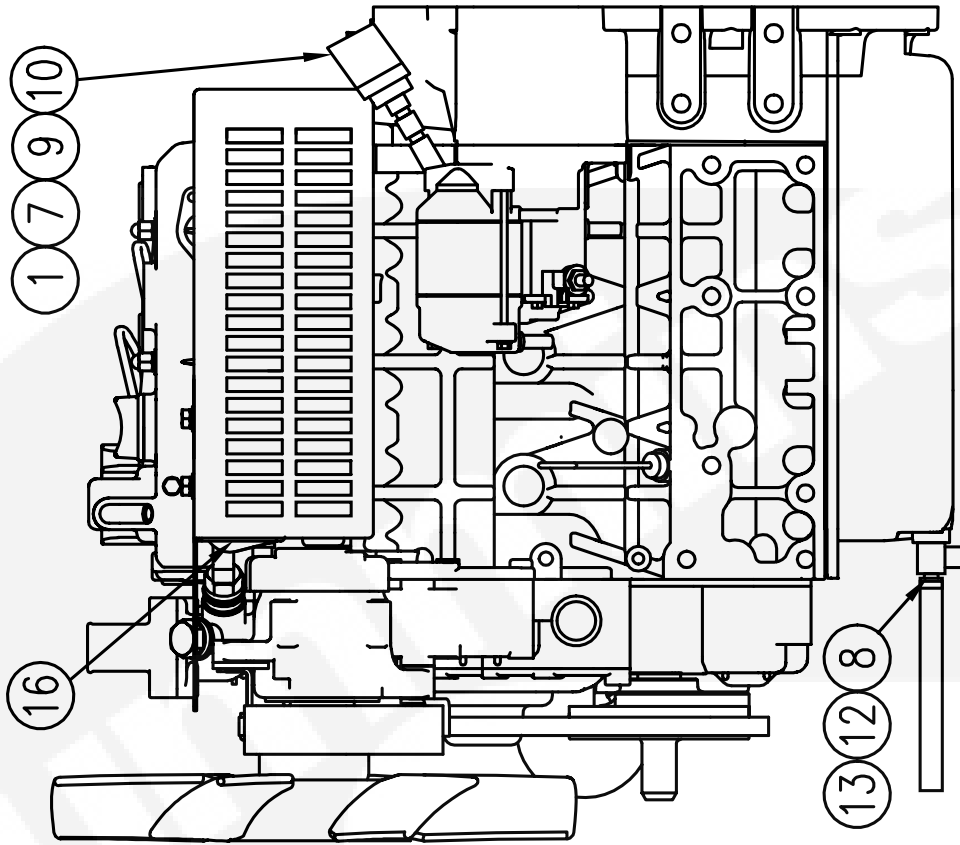
# Engine Accessories (Denso Radiator)



PLAN

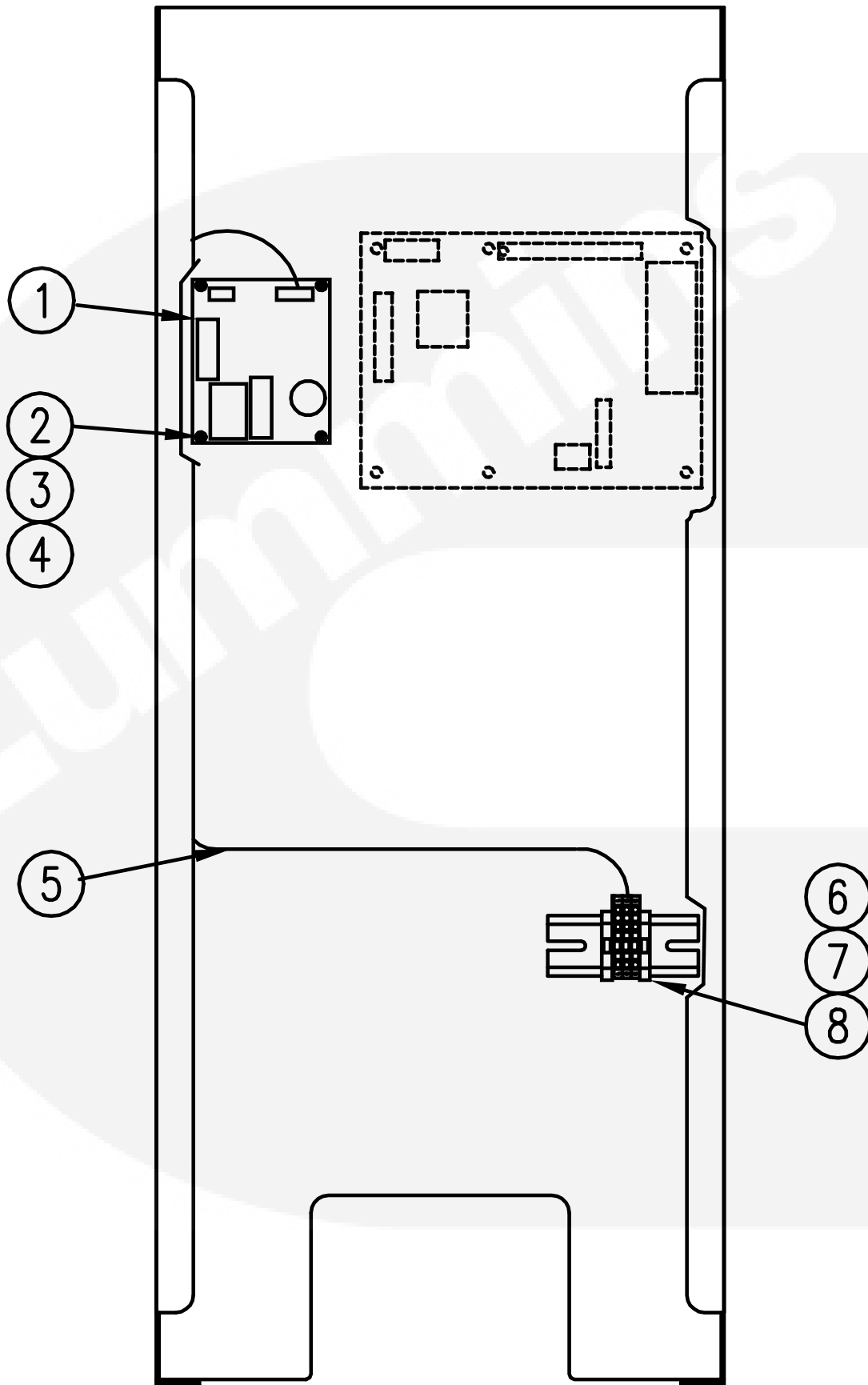
Item	Part Number	Description	Qty
1	0193-0430-01	Sender-Pressure	1
2	0193-0432	Sender-Temperature (E2, E4)	1
3	0333-0698	Solenoid	1
5	0337-3735	Busbar (Starter Motor)	1
7	0502-1513	Union-Tube	1
8	0504-0268	Valve-Ball (M16 X 1.5 Lock)	1
9	0505-2234	Elbow-Pipe (90°BSPP SWVL)	1
10	0505-2235	Adaptor-Pipe	1
11	0505-0019	Bushing-Reducer	1
12	0503-0685	Clamp-Hose (6mm-16mm)	1
13	0503-1620	Hose-Fuel (3/8" ID X 5/8" OD)	0.6M
	0100-3883	Engine-D1703	1

# Engine Accessories (SRF Radiator)



Item	Part Number	Description	Qty
1	0193-0430-01	Sender-Pressure	1
2	0193-0432	Sender-Temperature (E2, E4)	1
3	0333-0698	Solenoid	1
7	0502-1513	Union-Tube	1
8	0504-0268	Valve-Ball (M16 X 1.5 Lock)	1
9	0505-2234	Elbow-Pipe (90°BSPP SWVL)	1
10	0505-2235	Adaptor-Pipe	1
11	0505-0019	Bushing-Reducer	1
12	0503-0685	Clamp-Hose (6mm-16mm)	1
13	0503-1620	Hose-Fuel (3/8" ID X 5/8" OD)	0.6M
15	0155-4533-02	Heat Shield	1
16	0155-4534-02	Bracket-Heat Shield	1
17	0800-3017-04	Screw-Hex Head (M6 X 20)	2
18	0526-0399-59	Washer-Flat (M6)	2
19	0850-0114-53	Washer-Lock (M6)	2
20	0800-3017-52	Screw-Hex Head (M12 X 20)	1
21	0526-0399-64	Washer-Flat (M12)	1
22	0850-0014-56	Washer-Lock (M12)	1
N/R	0100-3883	Engine-D1703	1

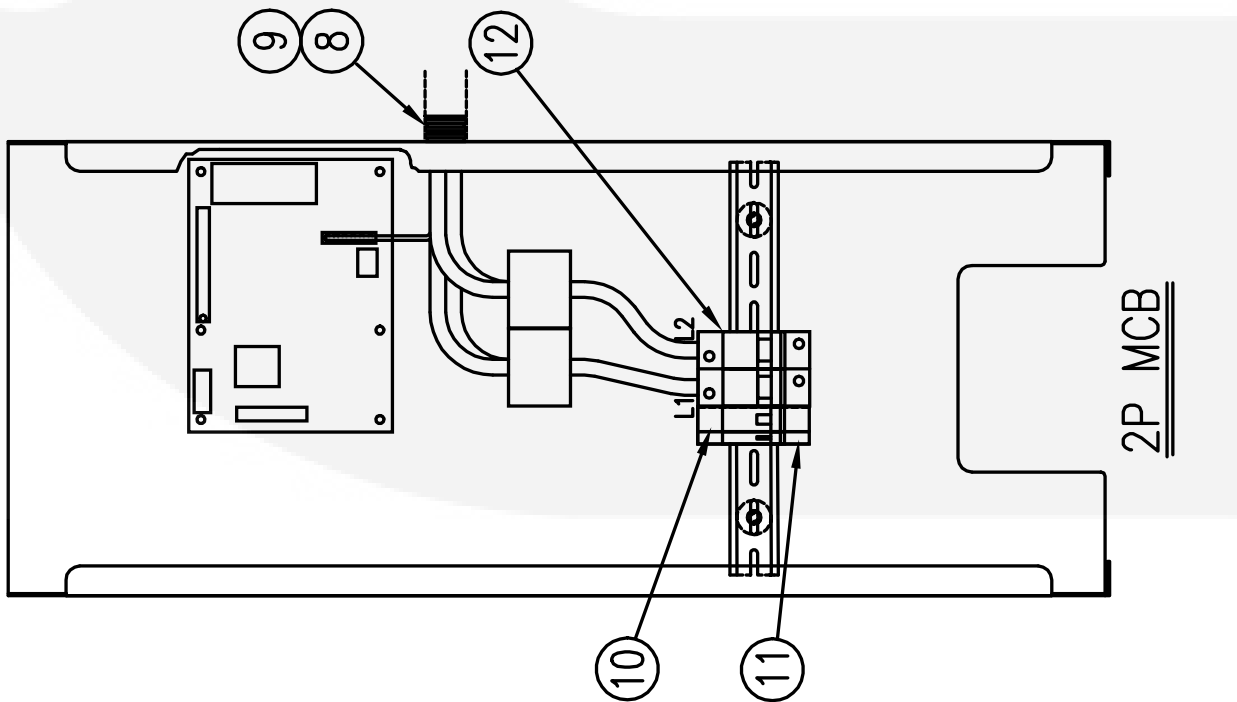
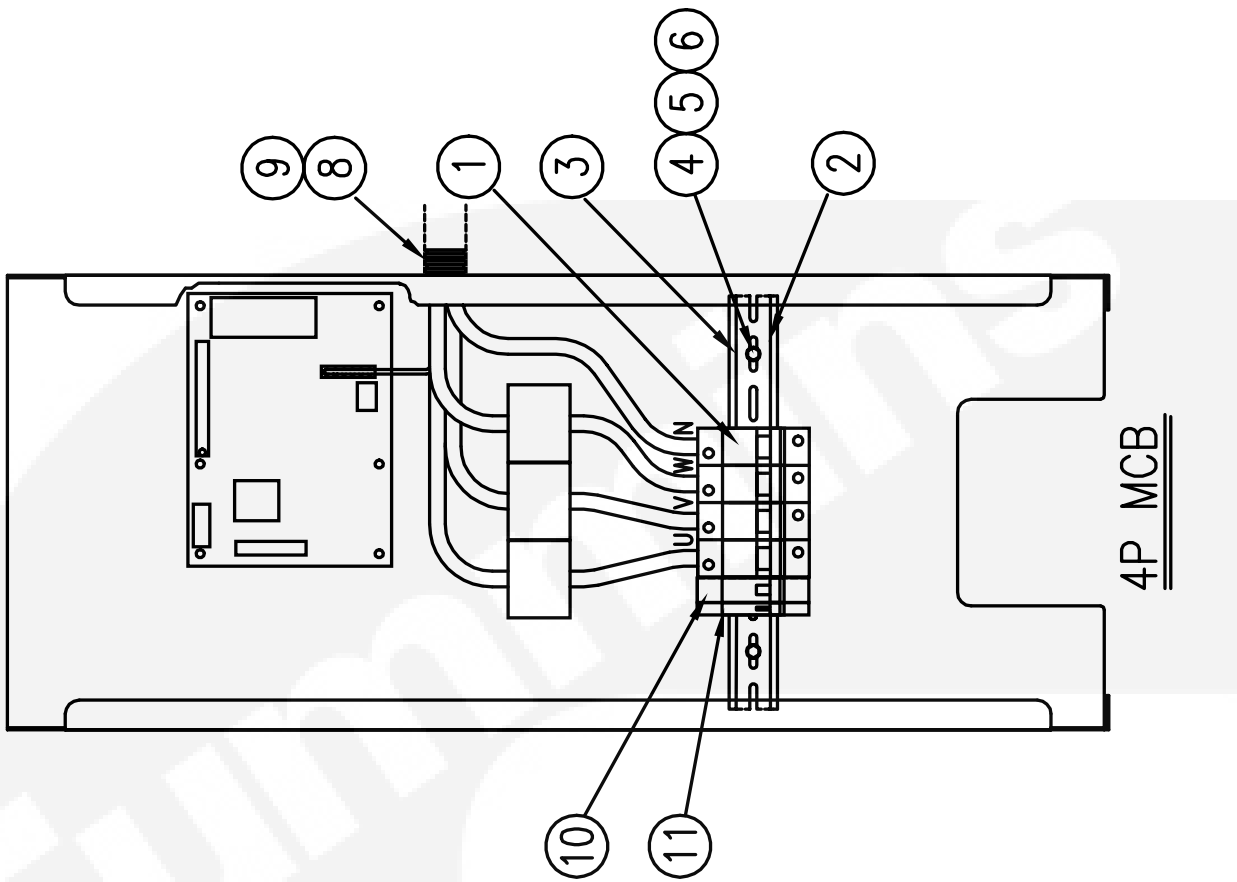
# Battery Charger Instl





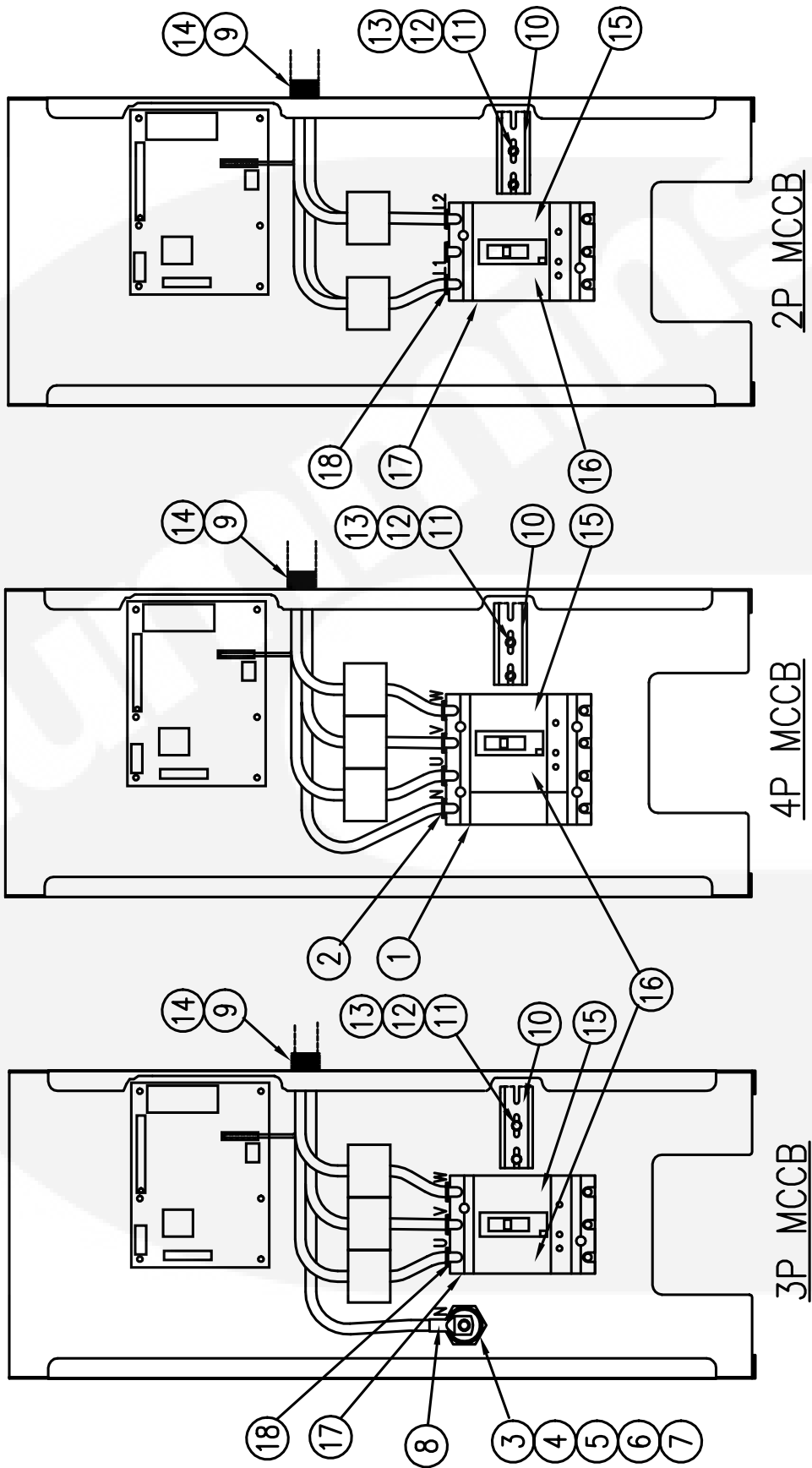
Item	Part Number	Description	Qty
5	0338-4530	Harness-Battery Charger	1
1	0416-1225	Charger-Battery (3A)	1
2	0526-0399-52	Washer-Flat (M3)	8
3	0822-3047	Screw-Pan Head (M3 X 20)	4
4	0850-0114-50	Washer-Lock (M3)	4
6	0332-3923-02	Terminal Block	3
7	0332-3926	Terminal End Stop	2
8	0332-3927-02	End Plate	1

# Miniature Circuit Breaker Instl



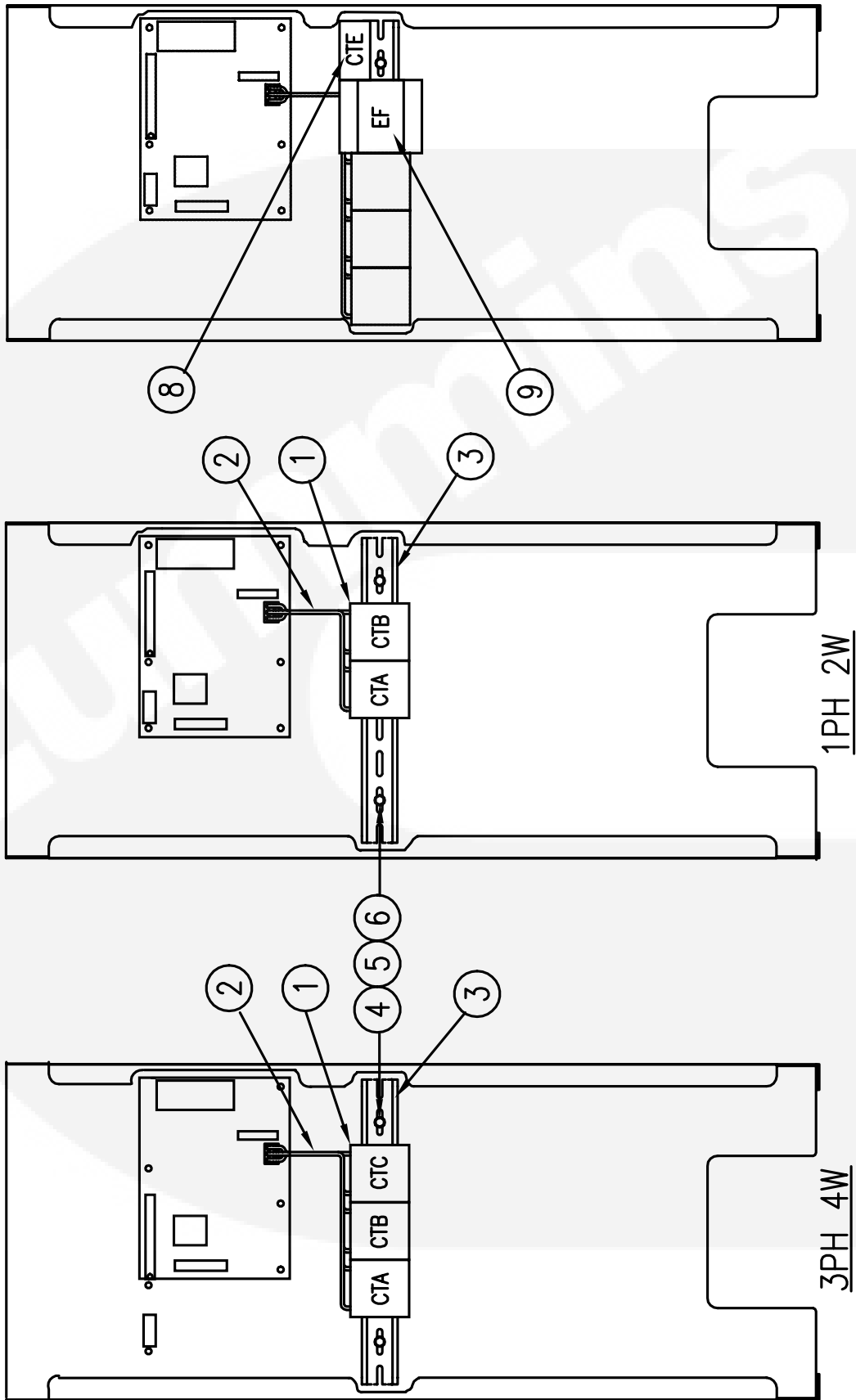
Item	Part Number	Description	Qty
1	0320-2224-02	Circuit Breaker 16A 4P MCB (400-440V-50Hz-3Ph)	1
1	0320-2224-03	Circuit Breaker 20A 4P MCB (380V-50Hz-3Ph & 380-440V-60Hz-3Ph)	1
1	0320-2224-05	Circuit Breaker 32A 4P MCB (200-240V-50Hz-3Ph)	1
1	0320-2224-06	Circuit Breaker 40A 4P MCB (200-240V-60Hz-3Ph & 190V-50Hz-3Ph)	1
1	0320-2224-07	Circuit Breaker 50A 4P MCB (190V-60Hz-3Ph)	1
2	0332-4001-01	Rail-Terminal Block (300mm)	1
3	0872-0020-02	Stand Off	2
4	0526-0399-56	Washer-Flat (M5)	4
5	0800-0309-93	Screw-Hex Head (M5 X 35)	2
6	0850-0114-52	Washer-Lock (M5)	2
8	0338-4459	Harness-AC	1
9	0331-0618-02	Locknut-Conduit	2
10	0320-2225-01	Accessories-CB (Shunt Trip)	1
11	0320-2225-02	Accessories-CB (SD Contact)	1
12	0320-2222-05	Circuit Breaker 32A 2P MCB (220-240V-50Hz-1Ph & 220V-60Hz-1Ph)	1

# Circuit Breaker Instl



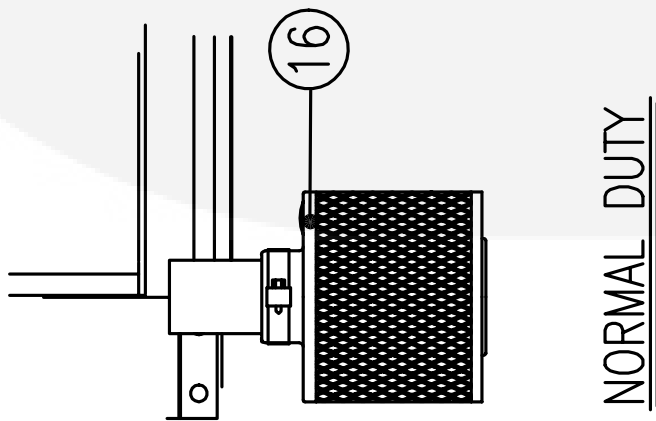
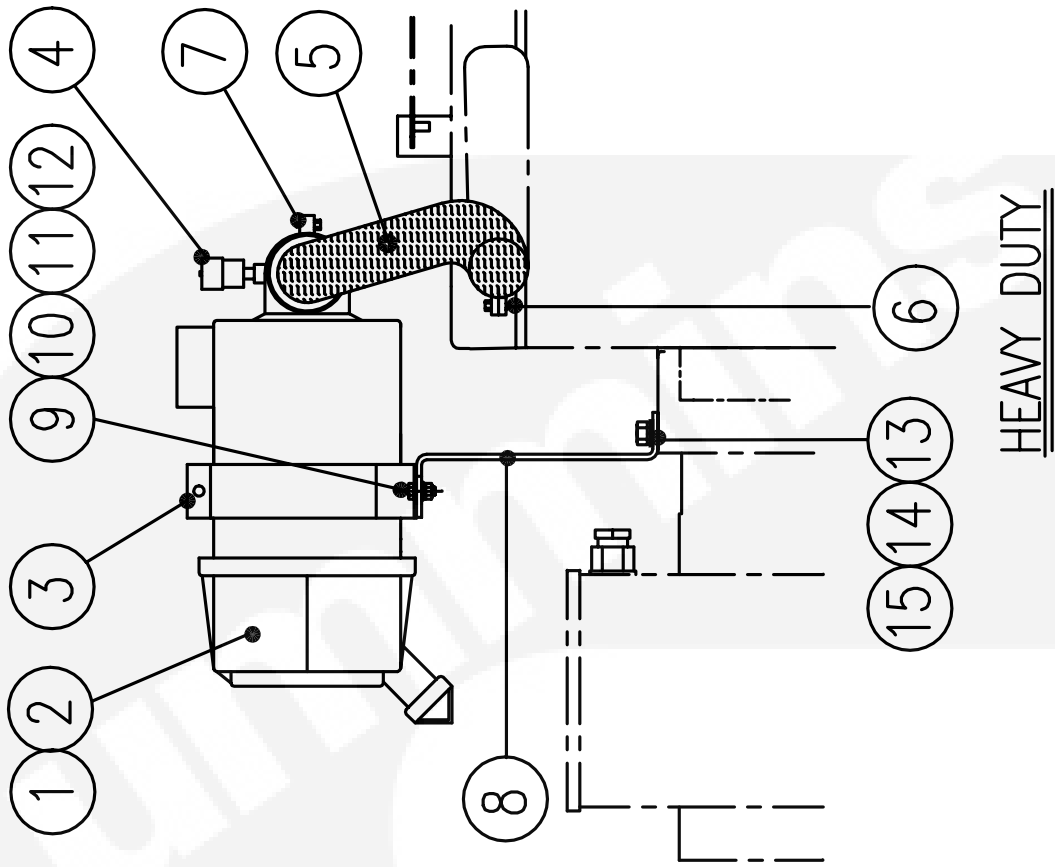
Item	Part Number	Description	Qty
1	0320-2157-08	Circuit Breaker 40A 4P MCCB (480V-60Hz-3Ph)	1
2	0320-2156-02	Bare Cable Connectors 4P 160A	1
3	0872-0021	Standoff (Insulator)	1
4	0526-0399-62	Washer-Flat (M10) 716011	2
5	0800-3017-35	Screw-Hex Head (M10 X 16)	1
6	0850-0114-55	Washer-Lock (M10)	1
7	0862-0026-56	Nut-Hex (M10) 715011	1
8	0332-4034-03	Lug-Cable	1
9	0338-4484-02	Harness-AC	1
10	0332-4001-02	Rail-Terminal Block	1
11	0526-0399-56	Washer-Flat (M5)	2
12	0800-0309-93	Screw-Hex Head (M5 X 35)	2
13	0850-0114-52	Washer-Lock (M5)	2
14	0331-0618-02	Locknut-Conduit	2
15	0320-1981-51	SPDT Switch 29450	1
16	0320-1981-52	Shunt Trip 12v	1
17	0320-2157-07	Circuit Breaker 40A 3P MCCB (480V-60Hz-3Ph)	1
18	0320-2156-01	Bare Cable Connectors 3P 160A	1

# Transformer Instl



Item	Part Number	Description	Qty
1	0315-1647-01	Transformer-Current 60:5 (380--480V--3Ph )	3
1	0315-1647-04	Transformer-Current 120:5 (190--240V--3Ph)	3
2	0338-4458	Harness-AC	1
3	0332-4001-01	Rail - Terminal Block (300mm)	1
4	0526-0399-56	Washer-Flat (M5)	4
5	0800-0309-88	Screw-Hex Head (M5 X 12)	2
6	0850-0114-52	Washer-Lock (M5)	2
7	0315-1647-04	Transformer-Current 120:5 (1Ph)	2
8	0315-1607-03	Transformer-Current 100:5 (Earth)	1
9	0307-3017-01	Relay-Ground Fault 12VD.C.	1

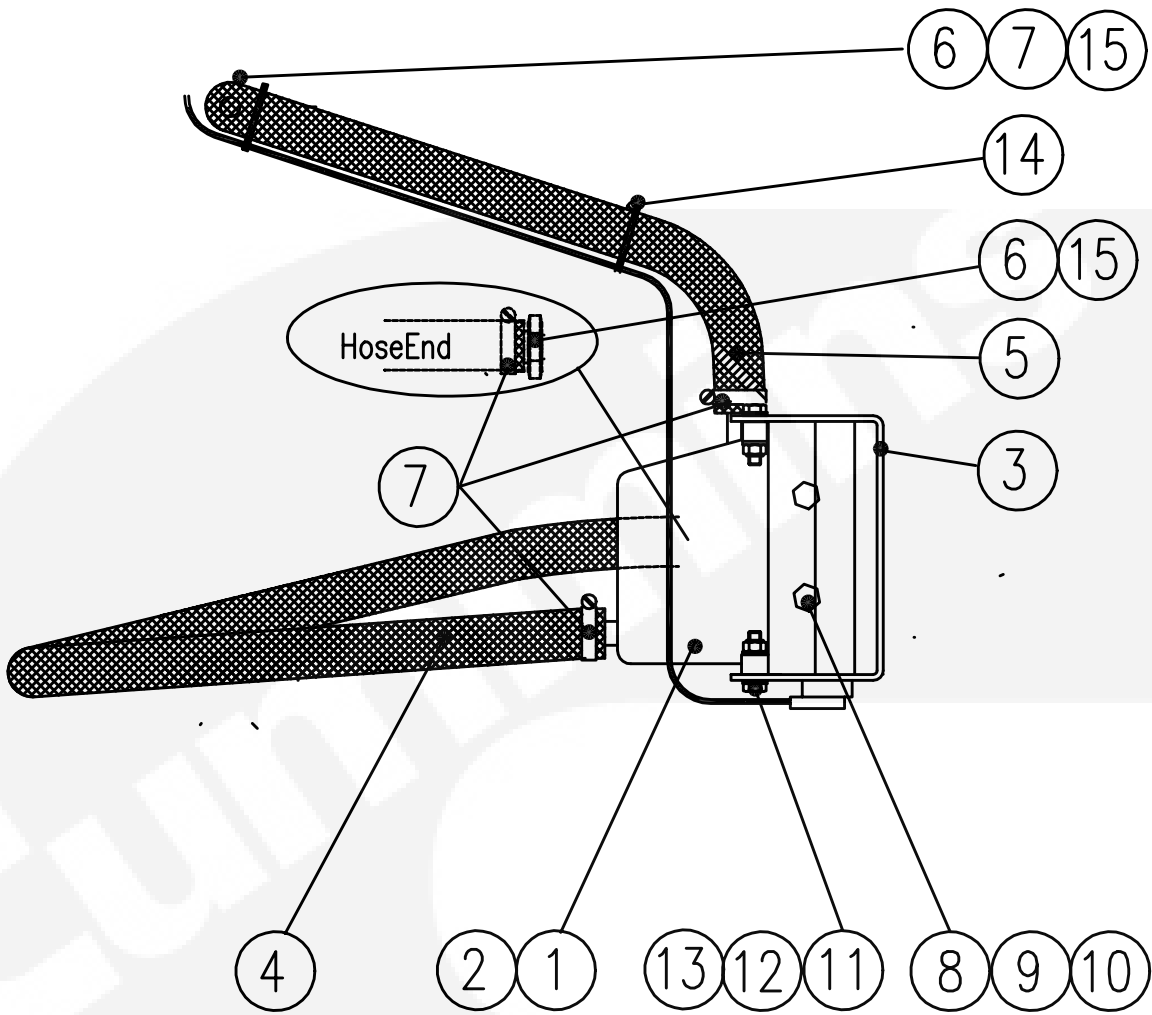
# Air Cleaner Instl





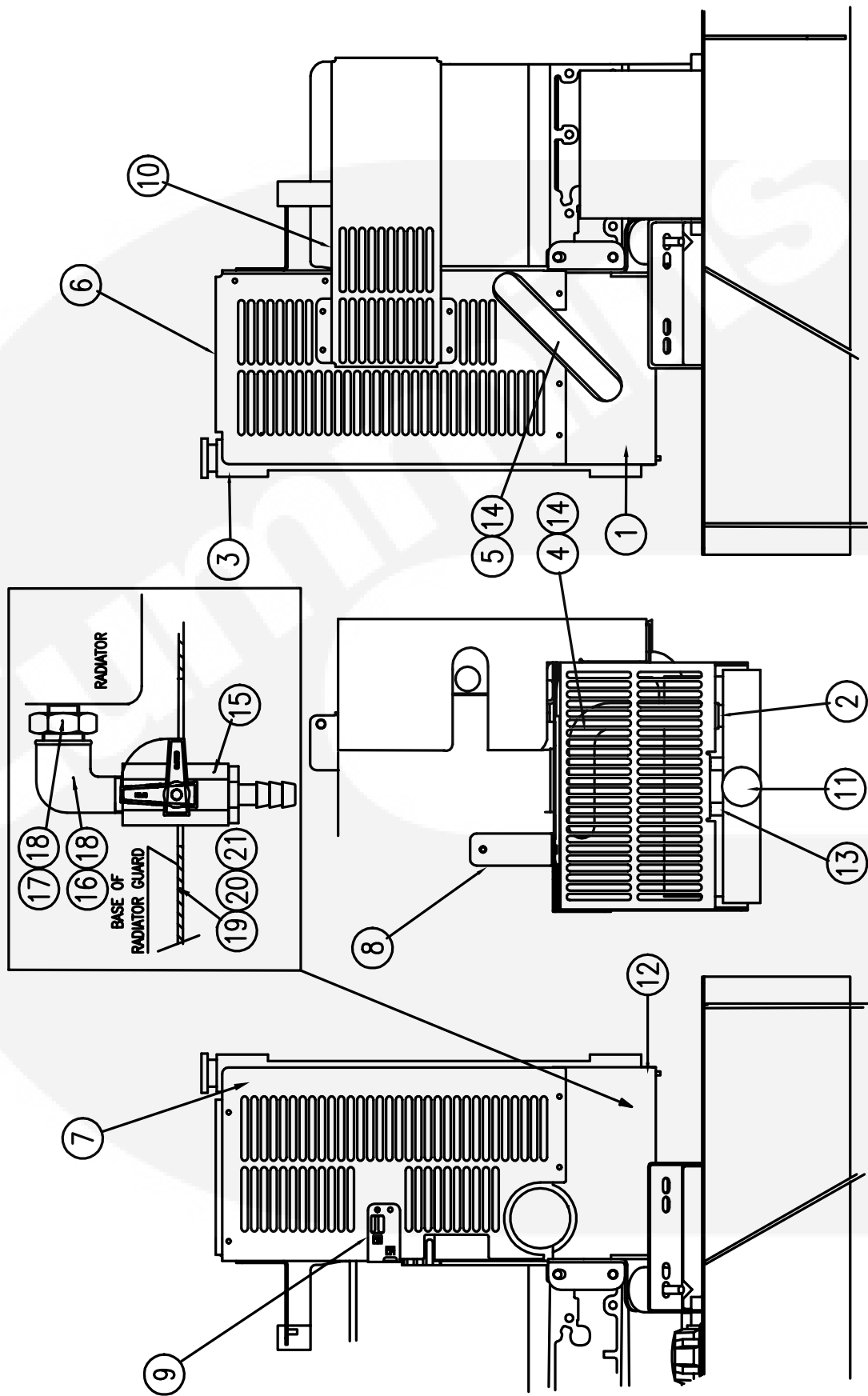
Item	Part Number	Description	Qty
1	0541-1112	Air Cleaner Kit (Heavy Duty)	1
2	0140-3840	Air Cleaner Element	1
3	0140-3766	Mounting Band	1
4	0140-3767	Indicator	1
5	0503-2547	Hose-Flexible (580mm)	1
6	0503-2373	Clip	1
7	0140-3551	"T" Bolt Clamp	1
8	0140-3721-02	Bracket, Air Cleaner	1
9	0800-3017-19	Screw-Hex Head (M8 X 20)	2
10	0526-0399-60	Washer-Flat (M8)	2
11	0850-0114-54	Washer-Lock (M8) 716370	2
12	0862-0026-55	Nut - Hex (M8)	2
13	0800-3017-52	Screw-Hex Head (M12 X 20)	2
14	0526-0399-64	Washer-Flat (M12)	2
15	0850-0114-56	Washer-Lock (M12)	2
16	0140-3828	Air Cleaner Kit (Normal Duty)	1

# Engine Heater



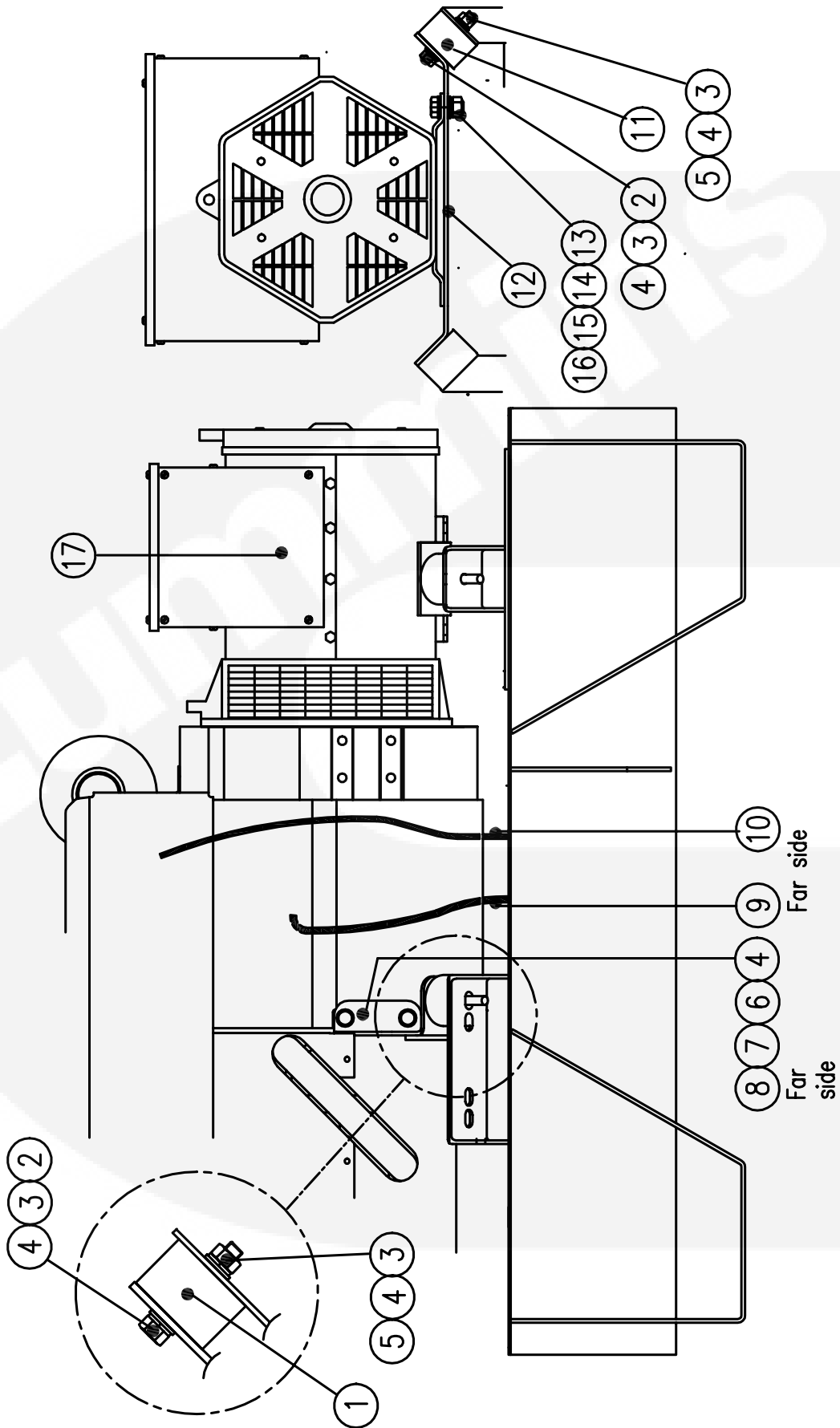
Item	Part Number	Description	Qty
1	0333-0699	Heater-Engine Coolant-120v.	1
2	0333-0690	Heater-Engine Coolant-240v.	1
3	0333-0689	Bracket-Heater	1
4	0503-2474-20	Hose-Steam	1
5	0503-2474-08	Hose-Steam	1
6	0502-1508	Connector, Hose, 1/4" BSPT X 16mm	2
7	0503-2385	Clamp - Hose (1" - 1 3/4")	4
8	0821-6003-02	Screw-Sems Tap/Scr (M8 X 20)	2
9	0526-0399-60	Washer-Flat (M8)	2
10	0870-2248-05	Nut-Lock (M8 Nyloc)	2
11	0800-3017-06	Screw-Hex Head (M6 X 30)	4
12	0526-0399-58	Washer-Flat (M6)	8
13	0870-0506	Nut-Lock (M6 Nyloc)	4
14	0332-1794	Tie-Cable	6
15	0524-0826	Sealant-Thread 577 (250ml)	1

# Radiator Instl-Denso



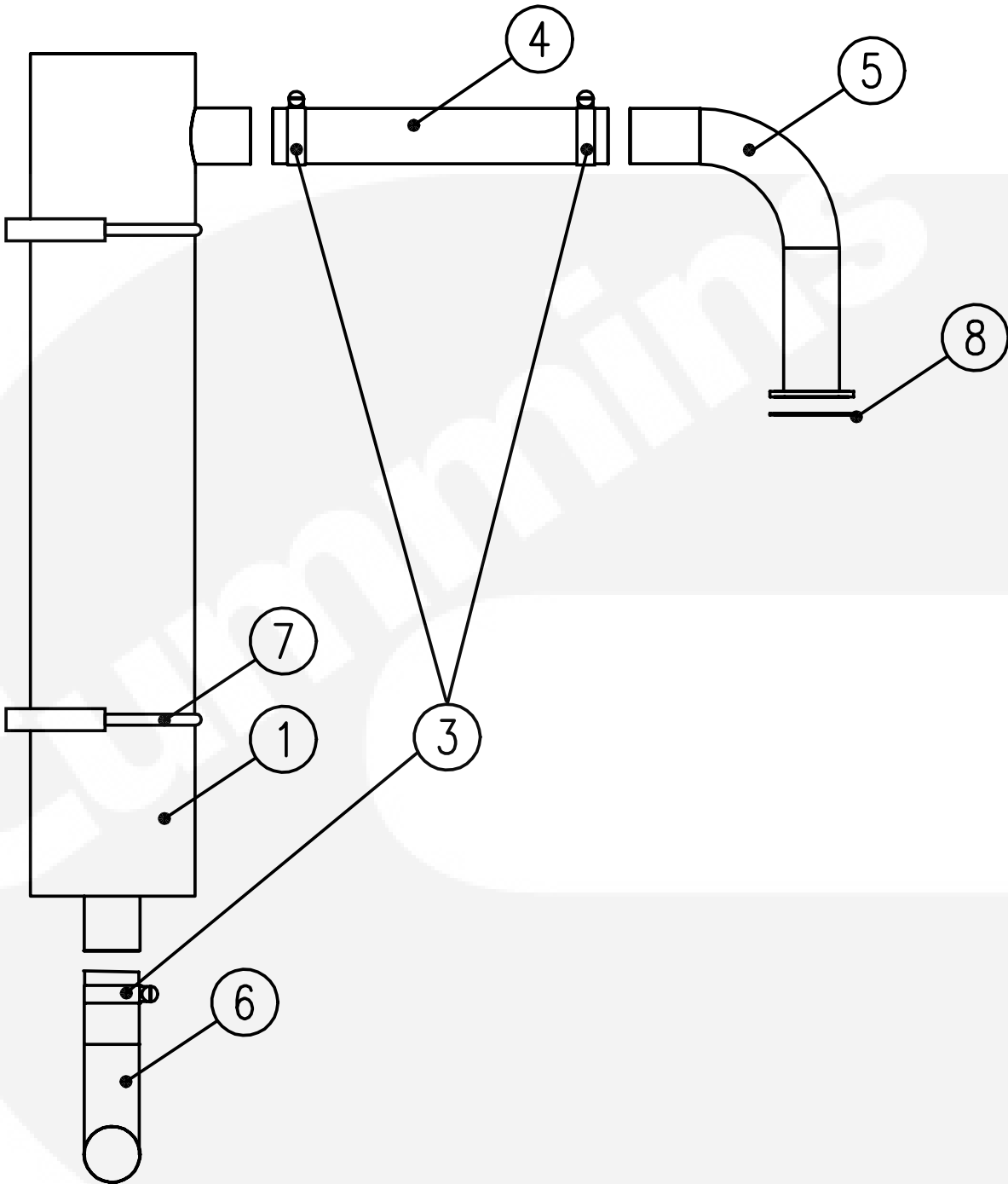
Item	Part Number	Description	Qty
1	0130-6113-02	Plate - Support	1
2	0193-0568	Coolant Level Switch	1
3	0130-6148	Radiator - D1703	1
4	0130-6176	Hose - Radiator - Top	1
5	0130-6177	Hose - Radiator - Bottom	1
6	0130-6178-02	Guard - Radiator (Left Hand)	1
7	0130-6179-02	Guard - Radiator (Right Hand)	1
8	0130-6180-02	Bracket - Fan Guard	1
9	0130-6181-02	Plate - Guard (Frequency Lock)	1
10	0130-6182-02	Guard - Pulley (Charge Alt)	1
11	0130-6406	Radiator Cap	1
12	0402-0850	Isolator-Vibration	2
13	0402-0851	Isolator-Vibration	2
14	0503-1872-01	Clamp Hose (1"-1.75")	4
15	0502-1493	Connector-Hose (Tap Radiator)	1
16	0505-2255	Elbow-1/4" BSPP Swivel 90° M/F	1
17	0502-1485	Union-Hose	1
18	0524-0826	Sealant-Thread 577 (250ml)	1
19	0130-6360-02	Plate-Guard (Infill)	1
20	0800-3017-02	Screw (M6 X 12)	2
21	0526-0399-58	Washer-Flat (M6)	2

# Genset Instl (Denso Radiator)



Item	Part Number	Description	Qty
1	0402-0832	Isolator-Vibration (280/B3)	2
2	0526-0399-64	Washer-Flat (M12)	4
3	0850-0114-56	Washer-Lock (M12)	4
4	0862-0026-57	Nut-Hex (M12) 715012	2
5	0800-3017-52	Screw-Hex Head (M12 X 20)	2
6	0403-5461-02	Engine Foot LH	1
7	0403-5462-02	Engine Foot RH	1
8	0800-3032	Screw-Hex Head Cap (M12 X 30)	4
9		Fuel Line (Engine Feed)	1
10		Fuel Line (Spill Return)	1
11	0402-0831	Isolator - Vibration (280/B2)	2
12	0403-5352-02	Mount - Generator - BC162/4	1
13	0800-3017-71	Screw-Hex Head (M16 X 35)	2
14	0526-0399-66	Washer-Flat (M16)	4
15	0850-0114-57	Washer-Lock (M16)	2
16	0862-0026-58	Nut-Hex (M16)	2
17	0200-3126-02	Generator-BC164B	1

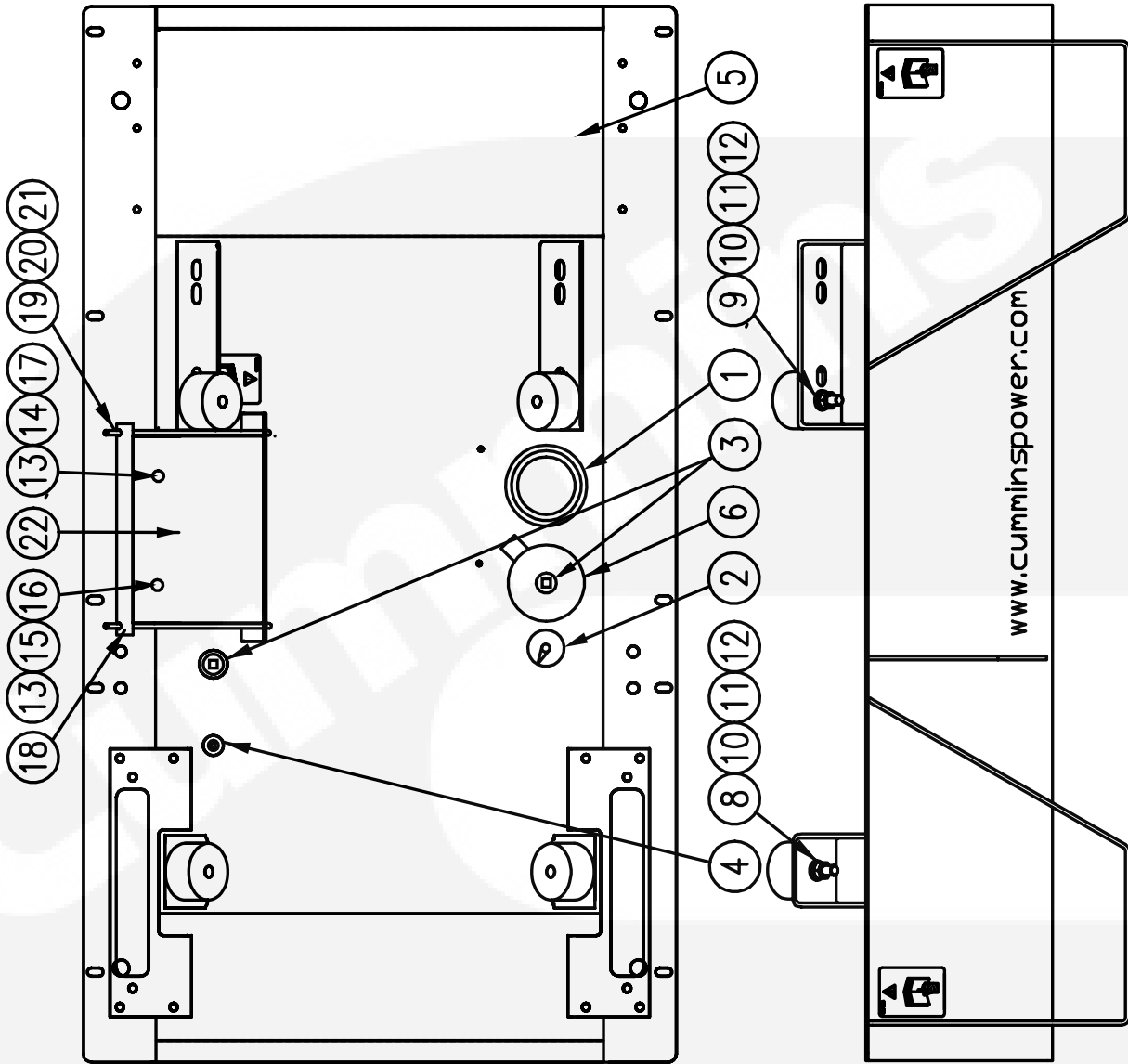
# Muffler Instl





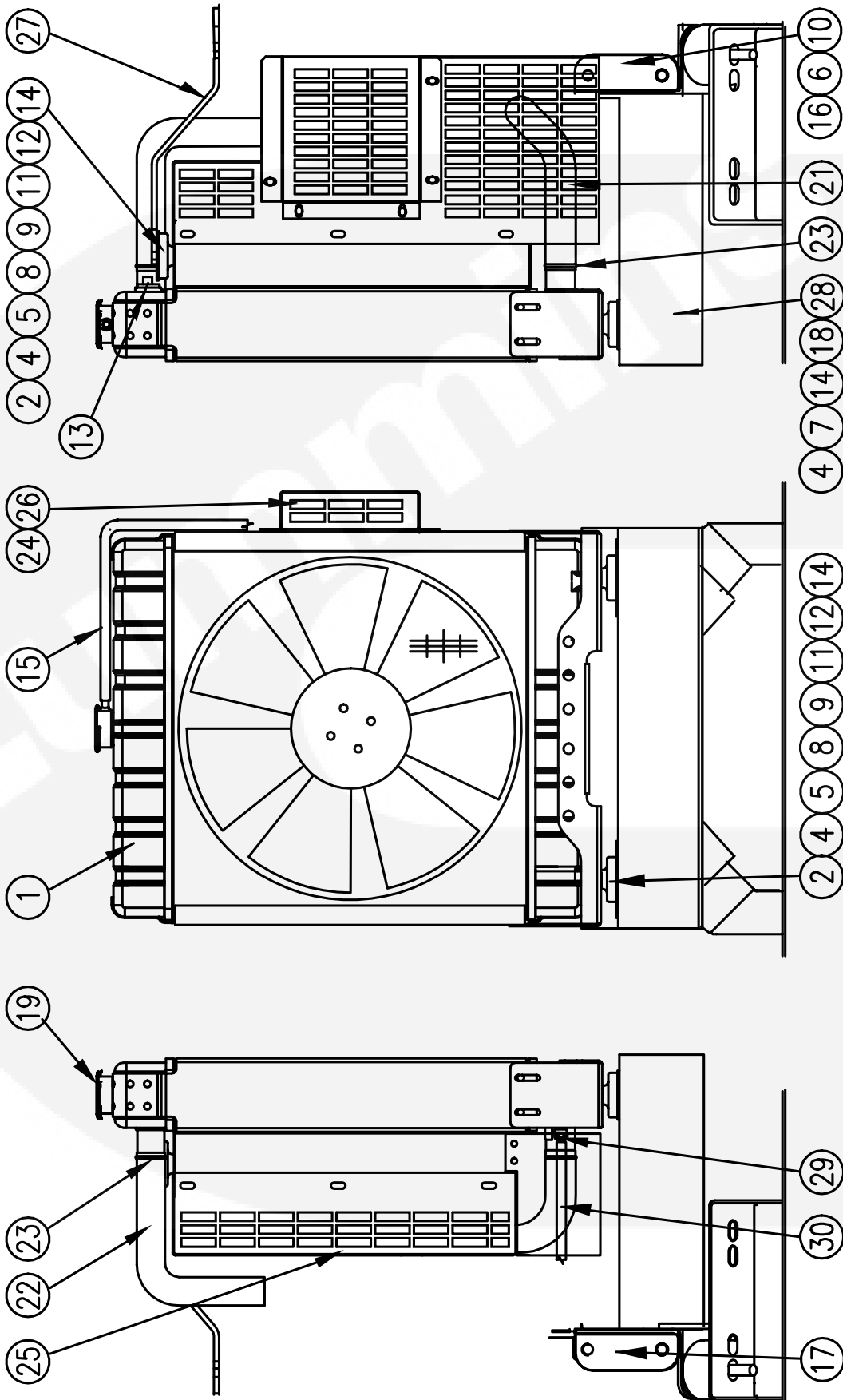
Item	Part Number	Description	Qty
1	0155-4280	Muffler	1
3	0155-4352	Clamp-Wide Band	3
4	0155-4353	Pipe-Flexible	1
5	0155-4360	Pipe-Exhaust (Eng-Out)	1
6	0155-4357	Pipe-90° Elbow	1
7	0155-4351	6" Clamp-Heavy Duty	2
8	Supplied With Engine	Gasket	1
9	0155-4416-02	Bracket-Exhaust	1

# Skid Instl (With Tank)



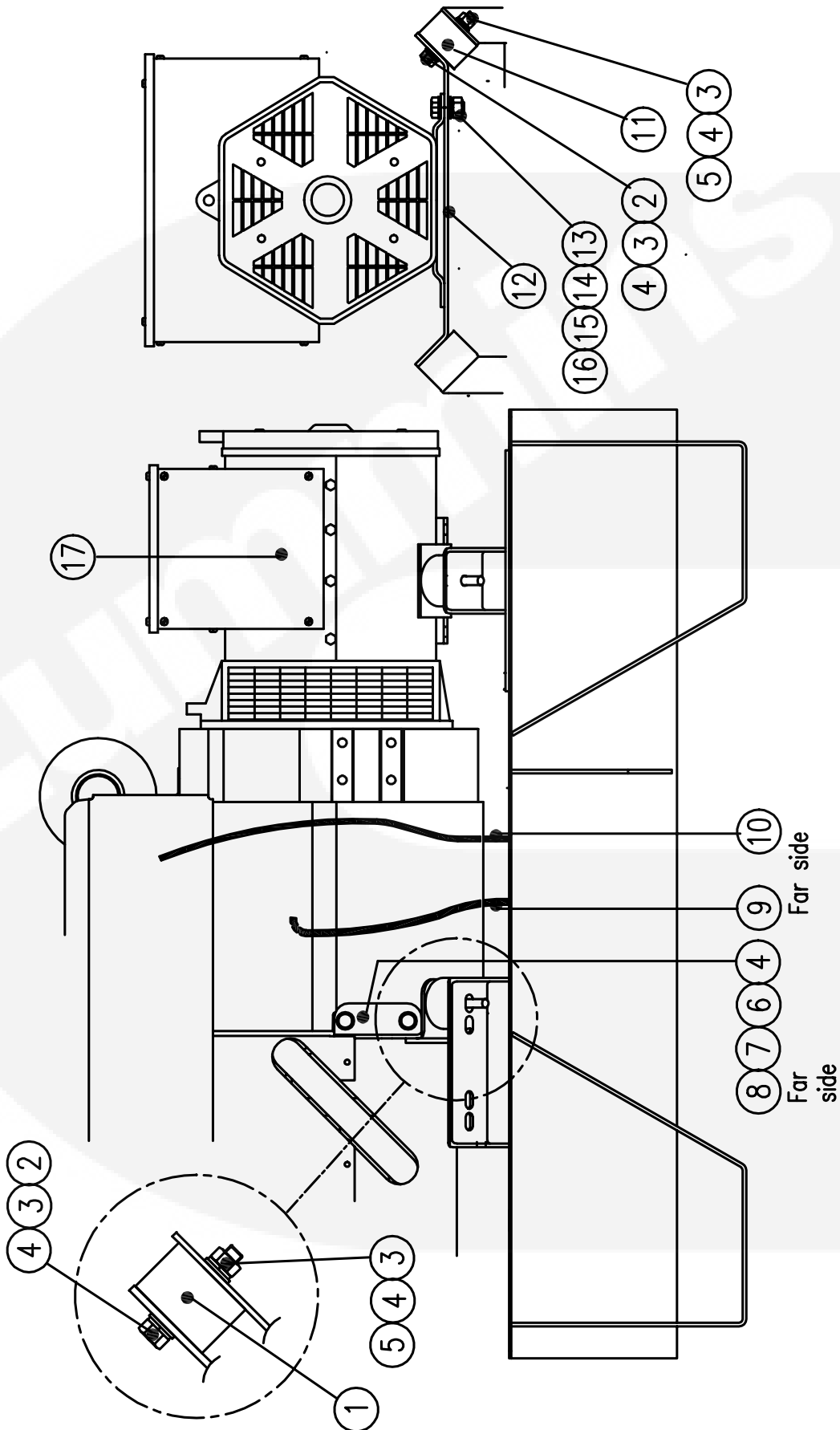
Item	Part Number	Description	Qty
1	0159-1552	Cap-Filler	1
2	0193-0562	Gauge-Fuel Level	1
3	0505-1597	1" BSP Gunmetal Plug	2
4	0505-2087	Plug-Pipe 1/2"BSP	1
5	0403-5350-02	Skid-75 Litre	1
6	0309-0707-01	Fuel Level Switch	1
8	0402-0831	Isolator-Vibration (280/B2)	2
9	0402-0832	Isolator-Vibration (280/B3)	2
10	0526-0399-64	Washer-Flat Steel M12	4
11	0850-0114-56	Washer-Spring Lock M12	4
12	0826-0026-57	Nut-Hex (M12)	4
13	0416-1141	Boot-Battery	2
14	0416-1203	Clamp-Battery Post +Ve	1
15	0416-1204	Clamp-Battery Post -Ve	1
16	0416-1232	Cable-Battery (-Ve)	1
17	0416-1231	Cable-Battery (+Ve)	1
18	0416-1236-02	Holddown-Battery	1
19	0416-1237-02	Rod-Battery Holddown	2
20	0526-0399-58	Washer-Flat (M6)	2
21	0865-0030	Nut-Wing (M6)	2
22	0416-1224	Battery	1

# Radiator Instl-SRF



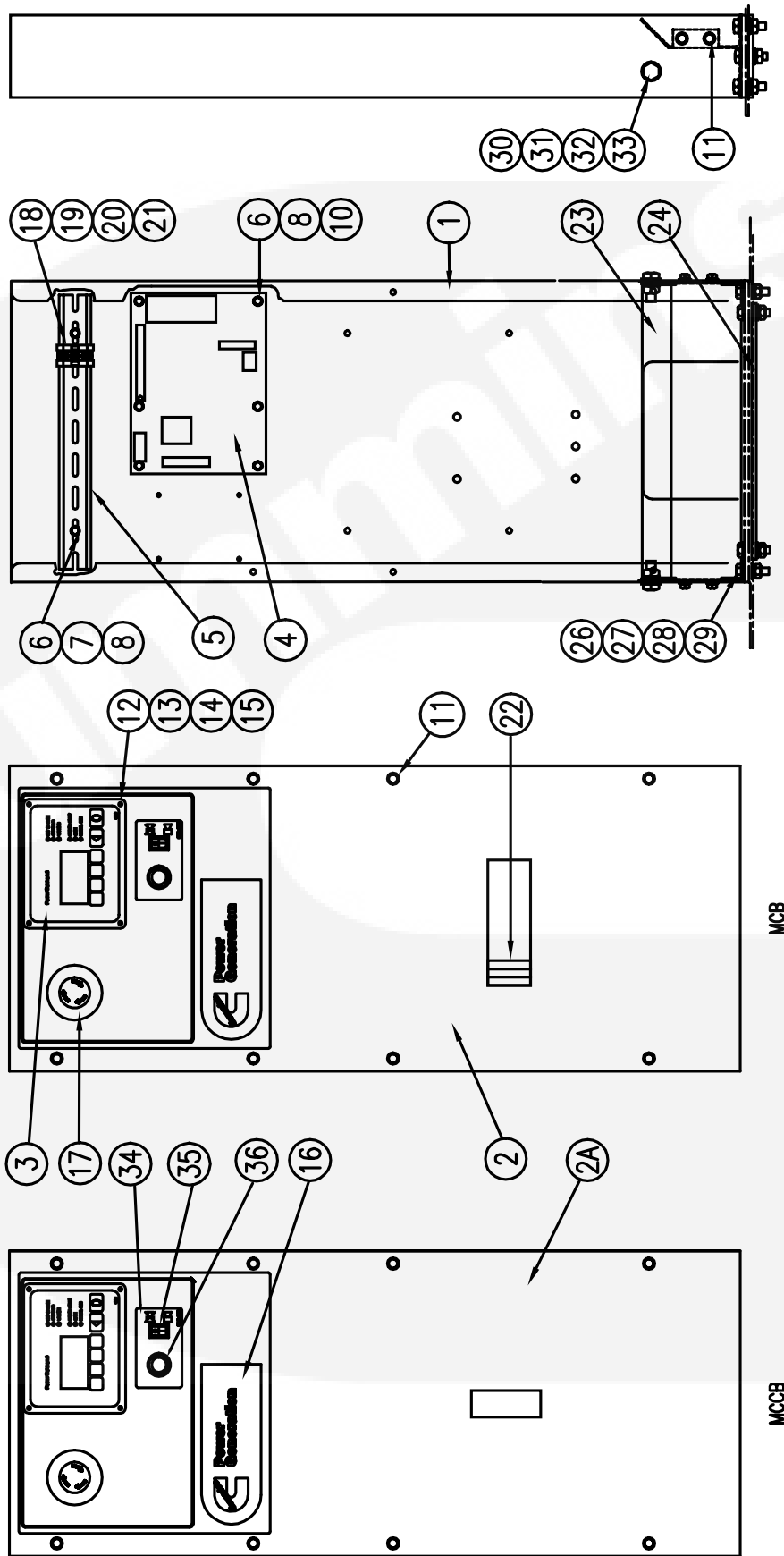
Item	Part Number	Description	Qty
1	0130-6689	Radiator-SRF	1
2	0402-0847	Isolator-Vibration (Type MS232)	3
4	0526-0399-60	Washer-Flat (M8)	22
5	0526-0399-62	Washer-Flat (M10)	3
6	0526-0399-64	Washer-Flat (M12)	4
7	0800-3017-20	Screw-Hex Head (M8 X 25)	4
8	0800-3017-19	Screw-Hex Head (M8 X 20)	8
9	0800-3017-40	Screw-Hex Head (M10 X 40)	3
10	0800-3032	Screw-Hex Head Cap (M12 X 30)	4
11	0850-0114-54	Washer-Lock (M8)	6
12	0850-0114-55	Washer-Lock (M10)	3
13	0193-0568	Sensor-Low Coolant Level	1
14	0862-0026-55	Nut-Hex (M8)	10
15	0130-6623	Tube-Overfill	A/R
16	0403-6125	Mount-Engine (LH)	1
17	0403-6126	Mount-Engine (RH)	1
18	0130-6690	Plate-Radiator Support	1
19	0130-6600	Radiator Cap	1
20	0130-6691	Shroud-Fan	1
21	0503-2684	Hose-Radiator-Bottom	1
22	0503-2685	Hose-Radiator-Top	1
23	0503-1872-01	Clamp Hose (1"-1.75")	4
24	0130-6692	Guard-Radiator (Left Hand)	1
25	0130-6693	Guard-Radiator (Right Hand)	1
26	0130-6694	Guard-Pulley (Charge Alt)	1
27	0130-6695	Bracket-Radiator Stay	1
28	0130-6714	Plate-Guard (Underside)	1
29	0504-0284	Valve-Drain (1/2"BSP)	1
30	0503-2633-01	Hose-Radiator (Drain)	1

# Genset Instl (SRF Radiator)



Item	Part Number	Description	Qty
1	0402-0832	Isolator-Vibration (280/B3)	2
2	0526-0399-64	Washer-Flat (M12)	4
3	0850-0114-56	Washer-Lock (M12)	4
4	0862-0026-57	Nut-Hex (M12)	2
5	0800-3017-52	Screw-Hex Head (M12 X 20)	2
6	0403-6125	Engine Mount LH	1
7	0403-6126	Engine Mount RH	1
8	0800-3032	Screw-Hex Head Cap (M12 X 30)	4
9	N/A	Fuel Line (Engine Feed) Supplied With Engine	1
10	N/A	Fuel Line (Spill Return) ----" -----"-----"-----	1
11	0402-0831	Isolator-Vibration (280/B2)	2
12	0403-5352-02	Mount-Generator	1
13	0800-3017-71	Screw-Hex Head (M16 X 35)	2
14	0526-0399-66	Washer-Flat (M16)	4
15	0850-0114-57	Washer-Lock (M16)	2
16	0862-0026-58	Nut-Hex (M16)	2
17	0200-3126-02	Generator-BC164B	1

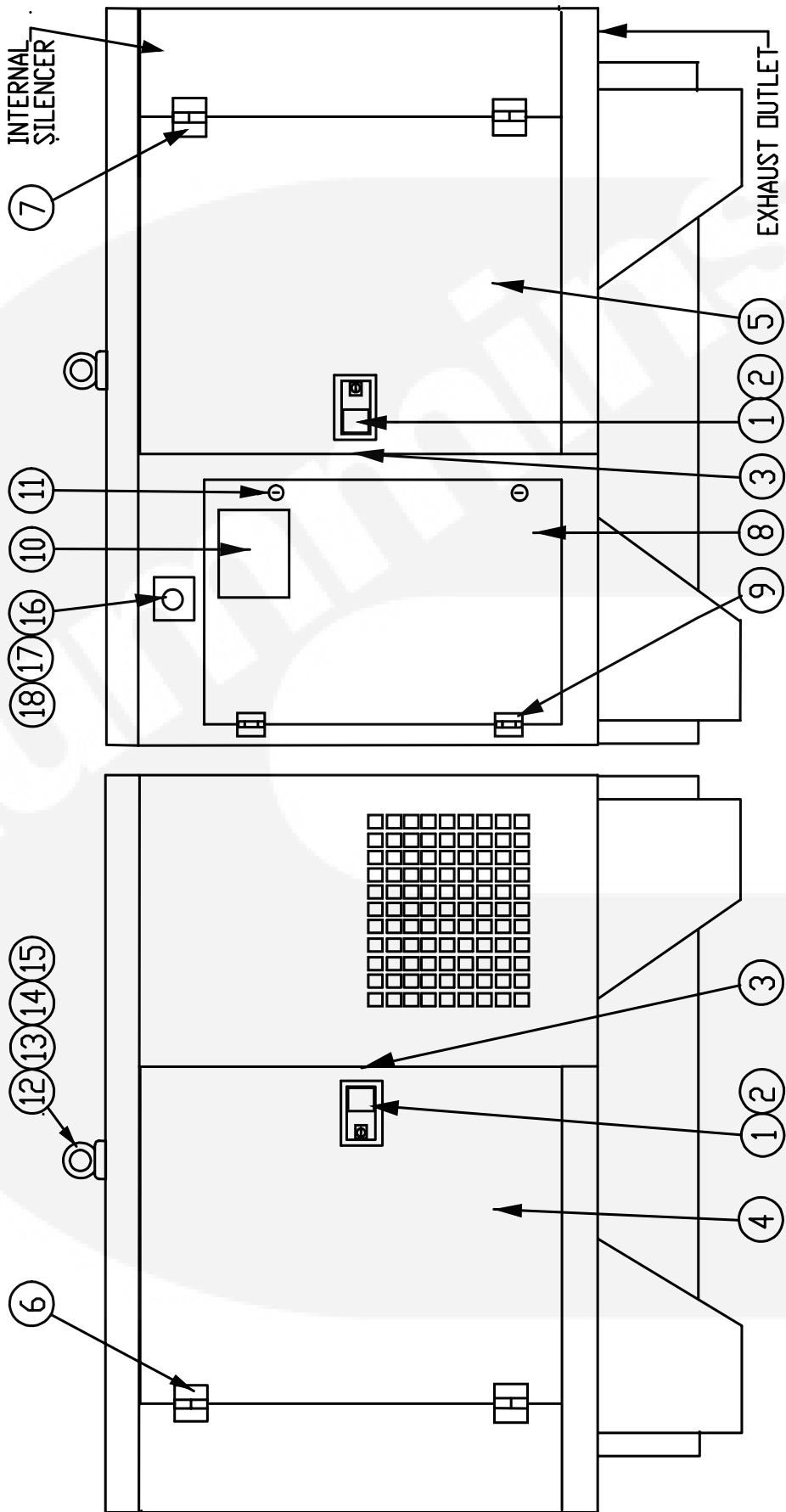
# Control Assy (PCC1300/1301)





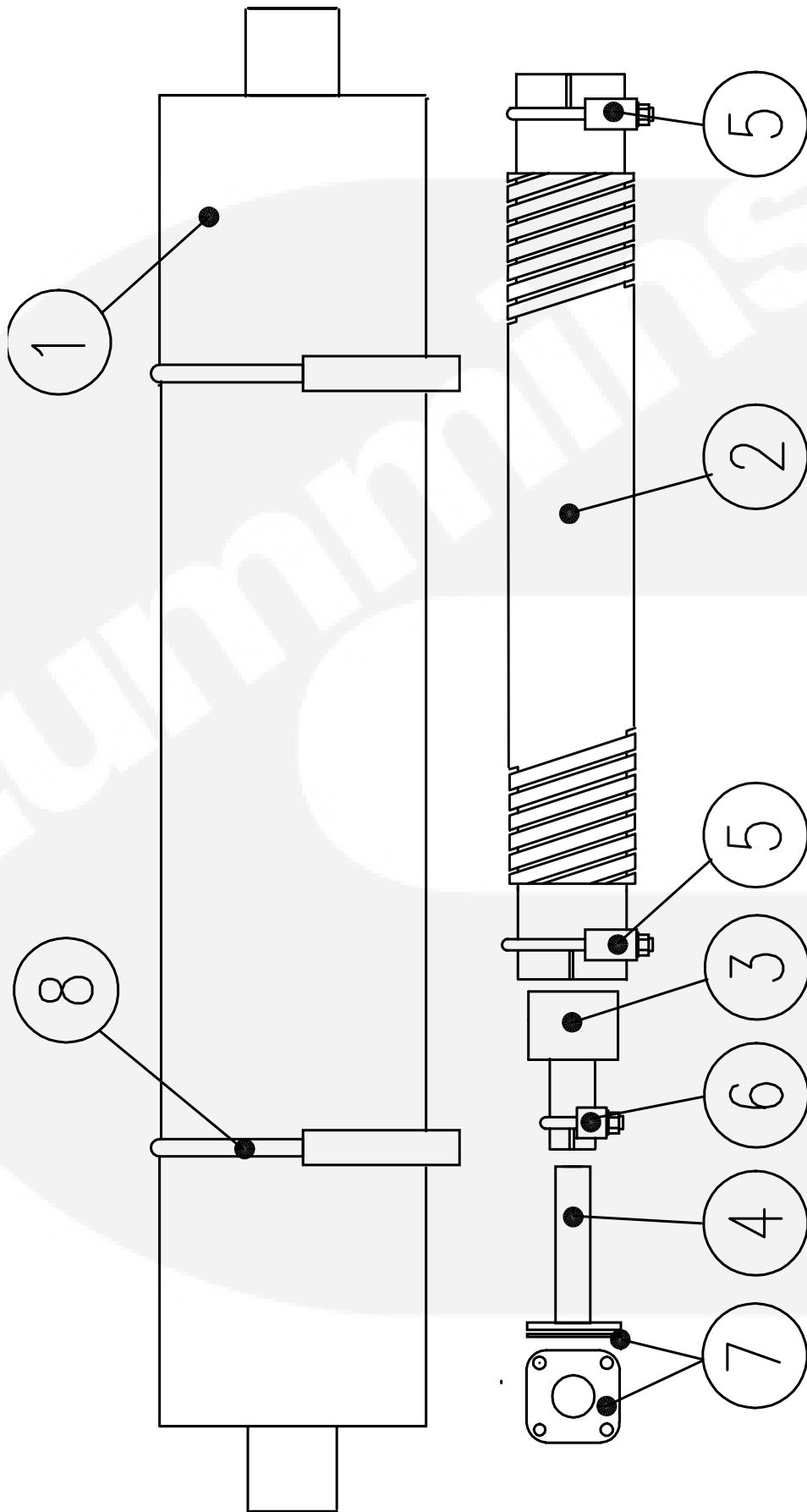
Item	Part Number	Description	Qty
1	0319-5495-02	Box-Control	1
2	0319-5496-02	Panel-Display (MCB)	1
2	0319-5497-02	Panel-Display (MCCB)	1
2	0319-5768-02	Panel-Display (MCB-RCD)	1
3	0300-6014	Control Assy-Display	1
4	0327-1503-01	PCB Assy (PCC1300)	1
4	0327-1513-01	PCB Assy (PCC1301)	1
5	0332-4001-02	Rail-Terminal Block	1
6	0526-0399-56	Washer-Flat (M5)	8
7	0800-0309-88	Screw-Hex Head (M5 X 12)	2
8	0850-0114-52	Washer-Lock (M5)	8
10	0800-0309-91	Screw-Hex Head (M5 X 25)	6
11	0821-6002-02	Screw-Sems Tap/Scr (M6 X 12)	12
12	0526-0399-52	Washer-Flat (M3)	4
13	0822-3047	Screw-Pan Head (M3 X 20)	4
14	0850-0114-50	Washer-Lock (M3)	4
15	0862-0026-51	Nut-Hex (M3)	4
16	0098-8283	Label-Logo	1
17	0308-1178	Switch-Pushbutton E/Stop	1
18	0332-3923-01	Terminal Block (Wago)	2
19	0332-3925-01	Jumper-Terminal (Wago, 2-Way)	1
20	0332-3926	Terminal Block (End Stop)	2
21	0332-3927-01	Terminal Block (End Plate)	1
22	0320-2259	Circuit Breaker Blanking Strip	1
23	0319-5362-02	Cover-Control	1
24	0319-5364	Cover-Ctrl-Cable Entrance	1
26	0526-0399-60	Washer-Flat (M8)	12
27	0800-3017-21	Screw-Hex Head (M8 X 30)	6
28	0850-0114-54	Washer-Lock (M8)	6
29	0862-0026-55	Nut-Hex (M8)	6
30	0526-0399-62	Washer-Flat (M10)	4
31	0800-3017-37	Screw-Hex Head (M10 X 25)	2
32	0853-0040-56	Washer-Lock (M10)	4
33	0862-0026-56	Nut-Hex (M10)	2
34	0098-8322	Label-Information	1
35	0308-1191	Switch-Rocker	1
36	0300-5937	Module-Alarm	1
N/A	0338-4522	Harness-Alarm	1

# Enclosure Assy



Item	Part Number	Description	Qty
1	0406-1074	Key-Lock	2
2	0406-1059	Latch-Door	2
3	0406-1073	Catch-Lock	2
4	0405-8369-01	Door-Enclosure (LH)	1
5	0405-8369-02	Door-Enclosure (RH)	1
6	0406-1051	Hinge-LH	2
7	0406-1052	Hinge-RH	2
8	0405-8395-02	Door-Control	1
9	0406-1068	Hinge (Control Panel)	2
10	0405-8396	Window-Enclosure	1
11	0406-1069	Lock (Control Panel)	2
12	0403-5555	Lifting Eye	1
13	0526-0399-71	Washer-Flat (M20)	1
14	0860-2023-01	Nut-Hex (M20)	1
15	0870-2248-09	M20 Locknut (Nylon Insert)	1
16	0308-1175	Switch-Push Button	1
17	0319-5262	Cover-Switch Surround	1
18	0098-8025	Label	1

# Loose Muffler Option



Item	Part Number	Description	Qty
1	0155-4154-01	Muffler (Ind Inline 9dB)	1
1	0155-4158-01	Muffler (Ind Inline 25dB)	1
2	0155-4334	Pipe-Exhaust Flex	1
3	0155-4332	Adaptor-Pipe	1
4	0155-4240	Adaptor-Exhaust	1
5	0305-1004	Clamp-'U' Bolt (80mm)	2
6	0155-2715	Clamp-'U' Bolt (1¾")	1
7	N/A	Gasket (Supplied with engine)	1
8	0155-4351	Heavy Duty Clamp 6"	2

Cummins



**Cummins Power Generation**  
Mansion Park  
Columbus avenue  
Mansion  
Kent CT12 5BF  
United Kingdom

Cummins Power Generation © [insert Copyright Year]

