

The following catalog  
has gaps in its page  
numbers, or doesn't  
have any numbers.  
We have chosen to  
leave the page  
numbering in the  
order that Acrobat  
assigns it.

---

**Onan**

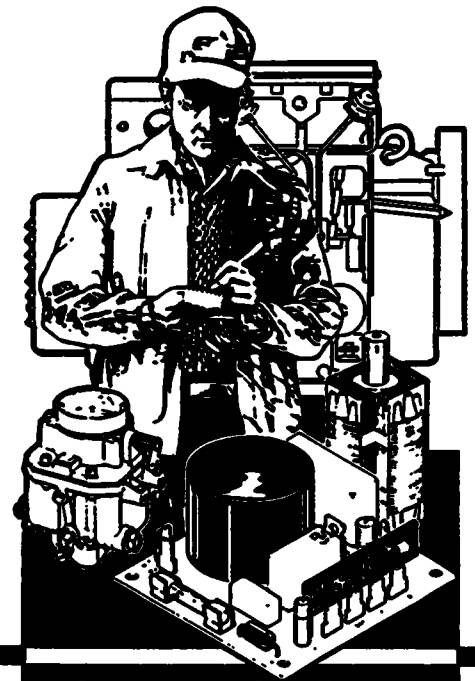
**Parts  
Manual**

**LT**

**SPEC 26000 F**

**Transfer  
Switches**

**LT II / LT/26K**



**Onan Service Parts**

**913-0200  
12-86 (Spec F)  
Replaces 1-86 (Spec F)  
Printed in U.S.A.**

Build, Light 9

Cabinet 6

Charger, Battery 14

Clip, Receptacle 6

Clock, Exerciser 13

Coil, Main 4

Contactor, Auxiliary 4

Contactor, Interlock 4

Cover, Relay 6

Decal, Door 7

Decal, Switch - Selector 6

Doors 7

Fuse, Charger - Battery 14

Harness, Wiring - Cabinet 11

Harness, Wiring - Light 11

Harness, Wiring - Meter 11

Harness, Wiring - 3-Wire Start 5

Kit, Bar - Neutral 17

Kit, Charger - Battery 14

Kit, Clock - Exerciser 13

Kit, Pole - Power 4

Kit, Transition - Programmed 15

Lamp, Emergency 9

Lamp, Normal 9

Meter, Ampere 9

Meter, Frequency 9

Meter, Milliamp 14

Meter, Time - Running 9

Meter, Volt 9

Mount, Cable - Tie 11

Panel, Mounting - Control 14

Plate, Switch - Selector 5

Plug, Hole 6

Relay, Control 8

Relay, Preheat 16

Relay, Transition - Programmed 15

Resistor, Lamp 9

Resistor, 3-Wire Start 5

Retainer, Screw 7

Screw, Omitting 13

Screw, Quick-Opening 7

Spacer, Timer - Exerciser Clock 13

Strip, Marker 5

Switch, Selector - Phase 5

Switch, Transfer 3

Switch, Transfer - Test 12

Switch, 3-Wire Start 5

Transformers 10

Transformer, Clock - Exerciser 13

# Introduction

This catalog applies to the LT26K Transfer Switches as indicated below. Each Illustrated part is identified by a reference number corresponding to the same reference number in the parts list for that group. Parts illustrations are typical. Using the MODEL and SPEC NUMBER from the switch box nameplate, select the parts that apply to your automatic transfer switch. Unless otherwise mentioned in the description, parts are interchangeable between models.

## Model Selection Table

LT

LT - Designates Transfer Switch Series

| Transfer Switch Code                  | A | B | C | F | G | H | K | L | M |
|---------------------------------------|---|---|---|---|---|---|---|---|---|
| 2 Pole Electrically Held              | X |   |   |   |   |   |   |   |   |
| 3 Pole Electrically Held              |   | X |   |   |   |   |   |   |   |
| 4 Pole Electrically Held              |   |   | X |   |   |   |   |   |   |
| 2 Pole Mechanically Held (Line Side)  |   |   |   | X |   |   |   |   |   |
| 3 Pole Mechanically Held (Line Side)  |   |   |   |   | X |   |   |   |   |
| 4 Pole Mechanically Held (Line Side)  |   |   |   |   |   | X |   |   |   |
| 2 Pole Mechanically Held (Both Sides) |   |   |   |   |   |   | X |   |   |
| 3 Pole Mechanically Held (Both Sides) |   |   |   |   |   |   |   | X |   |
| 4 Pole Mechanically Held (Both Sides) |   |   |   |   |   |   |   |   | X |

| Control Code                        | A | B | C | D | E |
|-------------------------------------|---|---|---|---|---|
| Non-Automatic                       | X |   |   |   |   |
| Utility To Utility                  |   | X |   |   |   |
| Utility To Generator (2-Wire Start) |   |   | X |   |   |
| Generator To Generator              |   |   |   | X |   |
| Utility To Gerator (3-Wire Start)   |   |   |   |   | X |

| Cabinet Code             | A | B | C | D |
|--------------------------|---|---|---|---|
| General Purpose (Nema 1) | X |   |   |   |
| Dust Proof & Rain Proof  |   | X |   |   |
| Open Construction        |   |   | X |   |
| Water Tight (Nema 4)     |   |   |   | X |

| Amperage |
|----------|
| 30, 60   |

| Voltage Code       |
|--------------------|
| 1 120 1 Phase      |
| 3 120/240 1 Phase  |
| 4 120/208 3 Phase  |
| 4X 277/480 3 Phase |
| 5D 120/240 3 Phase |
| 7 220/380 3 Phase  |
| 7X 240/416 3 Phase |
| 8 127/220 3 Phase  |
| 9X 347/600 3 Phase |

| Standard Code | U | C | N | P |
|---------------|---|---|---|---|
| UL Approved   | X |   |   |   |
| CSA Approved  |   | X |   |   |
| None          |   |   | X |   |
| Penn State    |   |   |   | X |

| Control Group (Relays)  | 260 | 261 | 262 | 263 | 264 | 265 | 291 | 292 | 293 |
|---|-----|-----|-----|-----|-----|-----|-----|-----|-----|
| Phase Loss Relays, Gen Pickup Relay   | X   |     |     |     |     |     |     |     |     |
| Retransfer Time Delay Relay   |     | X   |     |     |     |     |     |     |     |
| Start Time Delay Relay  |     |     | X   |     |     |     |     |     |     |
| Stop Time Delay Relay   |     |     |     | X   |     |     |     |     |     |
| Transfer Time Delay Relay   |     |     |     |     | X   |     |     |     |     |
| Adjustable Voltage Sensor Line Side   |     |     |     |     |     | X   |     |     |     |
| Manual Selector Key Switch  |     |     |     |     |     |     | X   |     |     |
| Manual Selector Key Switch & 120 V AC Input Signal For Remote Control       |     |     |     |     |     |     |     | X   |     |
| Manual Selector Key Switch & Form "C" Relay Input Signal For Remote Control |     |     |     |     |     |     |     |     | X   |

| Meter Group             | 00 | 01 | 02 | 03 | 04 | 05 | 06 | 07 | 08 | 09 | 10 |
|-------------------------|----|----|----|----|----|----|----|----|----|----|----|
| Lights (Norm & Emer)    |    | X  | X  | X  | X  | X  | X  |    |    |    |    |
| AC Voltmeter            |    |    | X  | X  |    |    | X  | X  |    | X  | X  |
| Ammeter(s)              |    |    |    | X  |    |    | X  | X  |    |    | X  |
| Frequency Meter         |    |    |    | X  |    | X  | X  | X  | X  | X  | X  |
| Running Time Meter      |    |    |    | X  | X  | X  |    |    |    |    |    |
| Running Time Meters (2) |    |    |    |    |    |    |    | X  | X  |    |    |

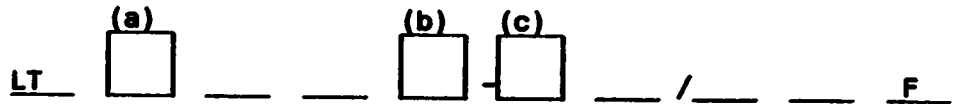
  

Spec. Letter F

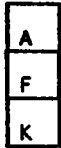
## Directions

1. Locate the item you are looking for in the Index or the Table of Contents.
2. Turn to the page listed.
3. Mentally insert your model number into the blank spaces.
4. The part of the model number that is boxed, will help you to determine the part number that you need.
5. Match your model number to the appropriate box.
6. Follow the line down from the box.
7. If there is more than one box, follow in sequence according to (a), (b), (c).
8. Write down the respective part number.

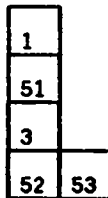
**Transfer Switch**



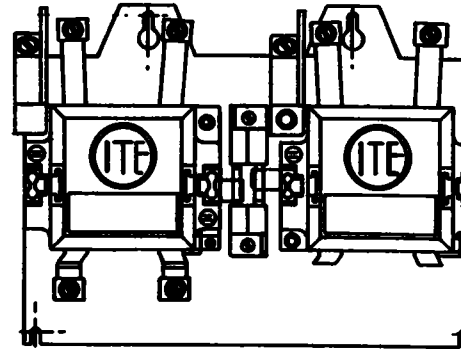
**2-Pole**



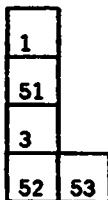
30



| PART NO  | QTY USED |
|----------|----------|
| 307-2240 | 1        |
| 307-2240 | 1        |
| 307-2242 | 1        |
| 307-2249 | 1        |

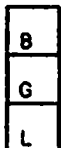


60

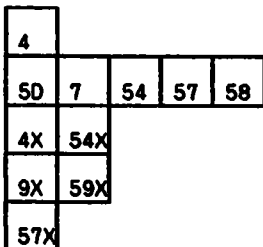


|          |   |
|----------|---|
| 307-2268 | 1 |
| 307-2268 | 1 |
| 307-2270 | 1 |
| 307-2277 | 1 |

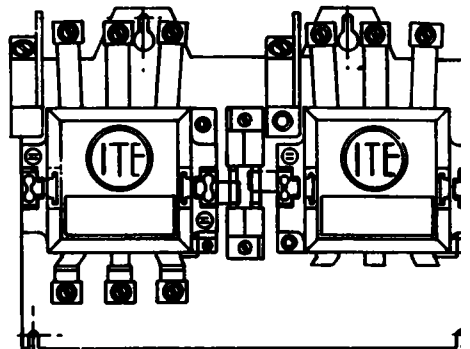
**3-Pole**



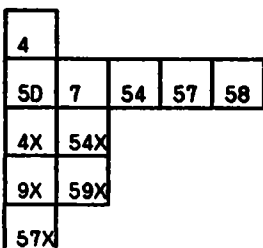
30



|          |   |
|----------|---|
| 307-2255 | 1 |
| 307-2256 | 1 |
| 307-2258 | 1 |
| 307-2259 | 1 |
| 307-2263 | 1 |



60



|          |   |
|----------|---|
| 307-2283 | 1 |
| 307-2284 | 1 |
| 307-2286 | 1 |
| 307-2287 | 1 |
| 307-2291 | 1 |

Note: See separate page for Transfer Switch Service Parts.

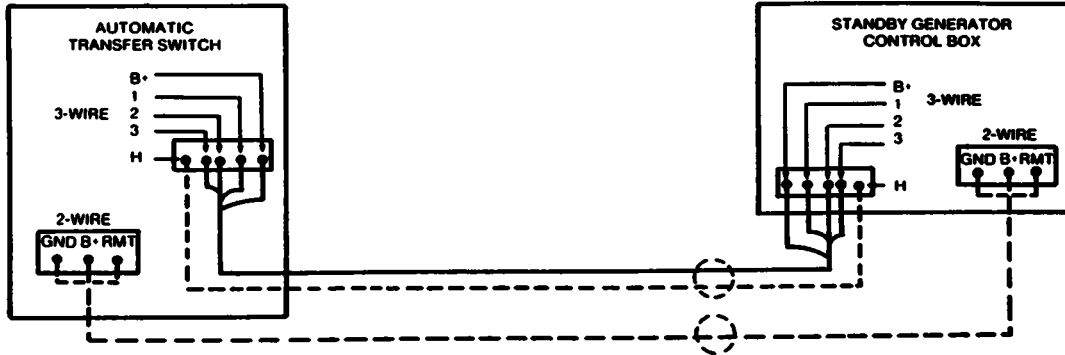
**Transfer  
Switch  
Service  
Parts  
Table**

| Transfer Switch Number | Mechanical Latch * | Inter-Locking Contact** | Auxiliary Contact *** | Power Pole Kit **** | Main Coil |
|------------------------|--------------------|-------------------------|-----------------------|---------------------|-----------|
| 307-2240               | 307-2234           | 307-2239                | 307-2544              | 307-2389            | 307-2206  |
| 307-2242               | 307-2235           | 307-2239                | 307-2544              | 307-2389            | 307-2208  |
| 307-2249               | 307-2235           | 307-2239                | 307-2544              | 307-2389            | 307-2209  |
| 307-2255               | 307-2235           | 307-2239                | 307-2544              | 307-2389            | 307-2215  |
| 307-2256               | 307-2235           | 307-2239                | 307-2544              | 307-2389            | 307-2208  |
| 307-2258               | 307-2237           | 307-2239                | 307-2544              | 307-2389            | 307-2210  |
| 307-2259               | 307-2238           | 307-2239                | 307-2544              | 307-2389            | 307-2212  |
| 307-2263               | 307-2235           | 307-2239                | 307-2544              | 307-2389            | 307-2209  |
| 307-2268               | 307-2234           | 307-2239                | 307-2544              | 307-2390            | 307-2220  |
| 307-2270               | 307-2235           | 307-2239                | 307-2544              | 307-2390            | 307-2222  |
| 307-2277               | 307-2235           | 307-2239                | 307-2544              | 307-2390            | 307-2223  |
| 307-2283               | 307-2235           | 307-2239                | 307-2544              | 307-2390            | 307-2229  |
| 307-2284               | 307-2235           | 307-2239                | 307-2544              | 307-2390            | 307-2222  |
| 307-2286               | 307-2237           | 307-2239                | 307-2544              | 307-2390            | 307-2224  |
| 307-2287               | 307-2238           | 307-2239                | 307-2544              | 307-2390            | 307-2226  |
| 307-2291               | 307-2235           | 307-2239                | 307-2544              | 307-2390            | 307-2223  |

- \* Mechanical Latch does not come with Transfer Switch.
- \*\* Electric Interlock Contacts are located on the upper left hand corner of each Transfer Switch half.
- \*\*\* Auxiliary Contacts are located on the upper right hand corner of each Transfer Switch half.
- \*\*\*\* Power Pole Kits from ITE contain 3 movable contacts and 6 stationary contacts.

**Control Code**

LT  - - - / - - - F

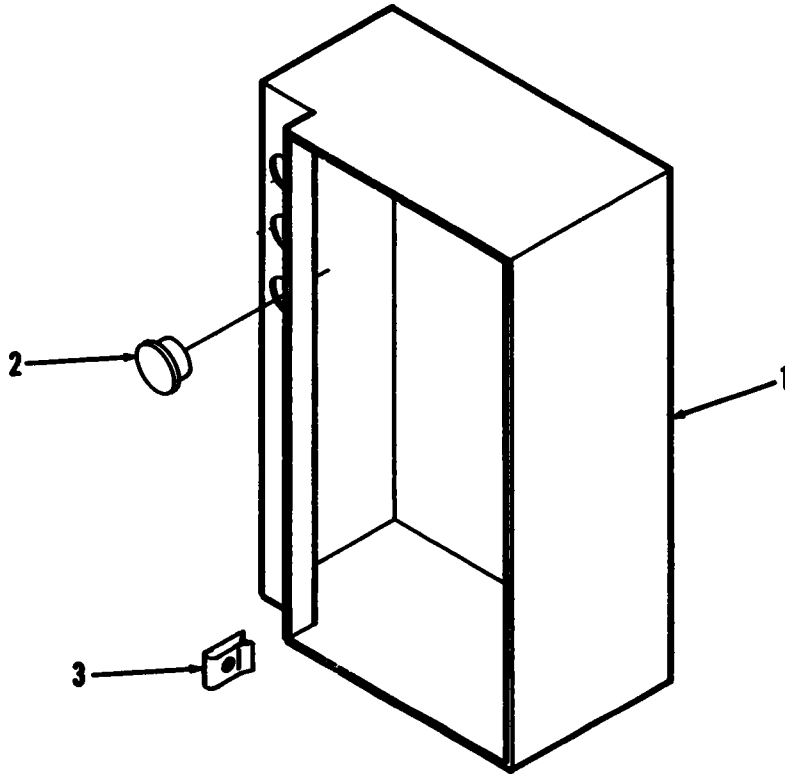


| REF NO.   | PART NO. | QTY USED | PART DESCRIPTION             |
|---|----------|----------|------------------------------|
| <span style="border: 1px solid black; padding: 2px;">C</span> |          |          |                              |
|   | 332-0611 | 1        | Block, Terminal - 3 Terminal |
|   | 332-2656 | 1        | Strip, Marker                |

| REF NO.   | PART NO. | QTY USED | PART DESCRIPTION          |
|---|----------|----------|---------------------------|
| <span style="border: 1px solid black; padding: 2px;">E</span> |          |          |                           |
|   | 332-0604 | 1        | Block, Terminal - 5 Termi |
|   | 332-2657 | 1        | Strip, Marker             |
|   | 338-1715 | 1        | Harness, Wiring - 3-Wire  |
|   | 304-0775 | 1        | Resistor, Fixed           |
|   | 320-0104 | 1        | Limiter, Cranking         |
|   | 308-0670 | 1        | Switch, Selector - Phase  |
|   | 301-8755 | 1        | Plate, Switch - Phase Sel |
|   | 98-5156  | 1        | Decal, Switch - Phase Sel |
|   | 308-0771 | 1        | Switch, Selector (S3)     |

**Cabinet**

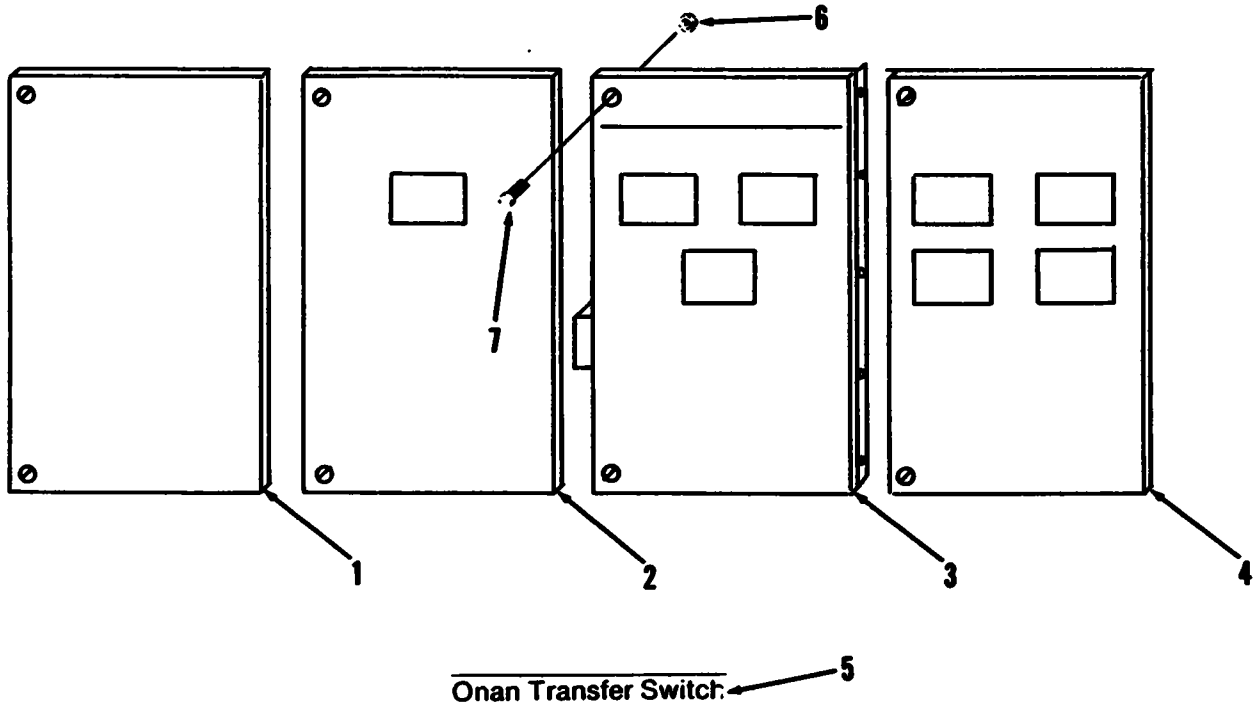
LT \_\_\_\_\_ A \_\_\_\_\_ - \_\_\_\_\_ / \_\_\_\_\_ F



| REF NO. | PART NO. | QTY USED | PART DESCRIPTION             |
|---------|----------|----------|------------------------------|
| 1       | 301-8145 | 1        | Cabinet, Sheetmetal - NEMA 1 |
| 2       | 517-0150 | 1        | Plug, Hole                   |
| 3       | 518-0439 | 2        | Clip, Receptacle             |



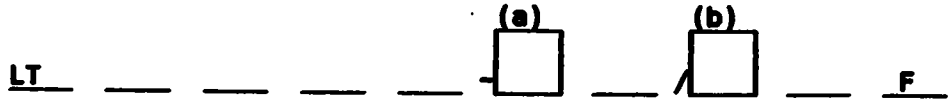
# Doors



| REF NO. | PART NO. | QTY USED | PART DESCRIPTION               | REF NO. | PART NO. | QTY USED | PART DESCRIPTION          |
|---------|----------|----------|--------------------------------|---------|----------|----------|---------------------------|
| 1       | 301-8141 | 1        | *Door, Cabinet - 0 Meter Holes | 5       | 98-5030  | 1        | Decal, Door - Cabinet     |
| 2       | 301-8142 | 1        | *Door, Cabinet - 1 Meter Hole  | 6       | 518-0438 | 2        | Retainer, Screw - Quick O |
| 3       | 301-8144 | 1        | *Door, Cabinet - 3 Meter Holes | 7       | 815-0574 | 2        | Screw, Quick-Opening      |
| 4       | 301-8140 | 1        | *Door, Cabinet - 4 Meter Holes |         |          |          |                           |

\* Includes 98-5030 Cabinet Door Decal

**Control  
Group  
(Relays)**



| 1        |                                       | (Relays operate on 120 VAC) |     |     |     |     |     |
|----------|---------------------------------------|-----------------------------|-----|-----|-----|-----|-----|
|          |                                       | 260                         | 261 | 262 | 263 | 264 | 265 |
| 307-1127 | Instant Start.....                    | K3                          | K3  |     |     |     |     |
| 307-1127 | Instant Transfer To Line.....         | K7                          | K7  | K7  | K7  | K7  | K7  |
| 307-1127 | Instant Transfer.....                 | K8                          | K8  | K8  | K8  |     |     |
| 307-2192 | Voltage Sensor 1 Phase Gen Side.....  | K9                          | K9  | K9  | K9  | K9  | K9  |
| 307-2399 | Time Delay Retransfer.....            |                             | K4  | K4  | K4  | K4  | K4  |
| 307-2197 | Time Delay Start.....                 |                             |     | K3  | K3  | K3  | K3  |
| 307-1928 | Time Delay Stop After Retransfer..... |                             |     |     | K5  | K5  | K5  |
| 307-2401 | Time Delay Transfer.....              |                             |     |     |     | K8  | K8  |
| 307-2192 | Voltage Sensor 1 Phase Line Side..... |                             |     |     |     |     | K6  |

| 2 3      |                                       | (Relays operate on 240 VAC) |     |     |     |     |     |
|----------|---------------------------------------|-----------------------------|-----|-----|-----|-----|-----|
|          |                                       | 260                         | 261 | 262 | 263 | 264 | 265 |
| 307-2296 | Instant Start.....                    | K3                          | K3  |     |     |     |     |
| 307-2296 | Instant Transfer To Line.....         | K7                          | K7  | K7  | K7  | K7  | K7  |
| 307-2296 | Instant Transfer.....                 | K8                          | K8  | K8  | K8  |     |     |
| 307-2193 | Voltage Sensor 1 Phase Gen Side.....  | K9                          | K9  | K9  | K9  | K9  | K9  |
| 307-2400 | Time Delay Retransfer.....            |                             | K4  | K4  | K4  | K4  | K4  |
| 307-2198 | Time Delay Start.....                 |                             |     | K3  | K3  | K3  | K3  |
| 307-1929 | Time Delay Stop After Retransfer..... |                             |     |     | K5  | K5  | K5  |
| 307-2402 | Time Delay Transfer.....              |                             |     |     |     | K8  | K8  |
| 307-2193 | Voltage Sensor 1 Phase Line Side..... |                             |     |     |     |     | K6  |

| 4 5D     |                                       | (Relays operate on 240 VAC) |     |     |     |     |     |
|----------|---------------------------------------|-----------------------------|-----|-----|-----|-----|-----|
|          |                                       | 260                         | 261 | 262 | 263 | 264 | 265 |
| 307-2296 | Instant Start.....                    | K3                          | K3  |     |     |     |     |
| 307-2296 | Instant Transfer To Line.....         | K7                          | K7  | K7  | K7  | K7  | K7  |
| 307-2296 | Instant Transfer.....                 | K8                          | K8  | K8  | K8  |     |     |
| 307-2193 | Voltage Sensor 1 Phase Gen Side.....  | K9                          | K9  | K9  | K9  | K9  | K9  |
| 307-2400 | Time Delay Retransfer.....            |                             | K4  | K4  | K4  | K4  | K4  |
| 307-2198 | Time Delay Start.....                 |                             |     | K3  | K3  | K3  | K3  |
| 307-1929 | Time Delay Stop After Retransfer..... |                             |     |     | K5  | K5  | K5  |
| 307-2402 | Time Delay Transfer.....              |                             |     |     |     | K8  | K8  |
| 307-2194 | Voltage Sensor 3 Phase Line Side..... |                             |     |     |     |     | K6  |
| 307-2296 | Phase Sensor.....                     | K6                          | K6  | K6  | K6  | K6  |     |

| 4X 7 7X 9X |                                       |     |     | (Relays operate on 240 VAC) |     |     |     |     |     |
|------------|---------------------------------------|-----|-----|-----------------------------|-----|-----|-----|-----|-----|
|            |                                       |     |     | 260                         | 261 | 262 | 263 | 264 | 265 |
| 307-2475   | Instant Start.....                    | K3  | K3  |                             |     |     |     |     |     |
| 307-2475   | Instant Transfer To Line.....         | K7  | K7  | K7                          | K7  | K7  | K7  | K7  | K7  |
| 307-2475   | Instant Transfer.....                 | K8  | K8  | K8                          | K8  |     |     |     |     |
| 307-2193   | Voltage Sensor 1 Phase Gen Side.....  | K9  | K9  | K9                          | K9  | K9  | K9  | K9  | K9  |
| 307-2400   | Time Delay Retransfer.....            |     | K4  | K4                          | K4  | K4  | K4  | K4  | K4  |
| 307-2198   | Time Delay Start.....                 |     |     |                             | K3  | K3  | K3  | K3  | K3  |
| 307-1929   | Time Delay Stop After Retransfer..... |     |     |                             |     | K5  | K5  | K5  | K5  |
| 307-2402   | Time Delay Transfer.....              |     |     |                             |     |     | K8  | K8  | K8  |
| 307-2194   | Voltage Sensor 3 Phase Line Side..... |     |     |                             |     |     |     |     | K6  |
| 307-2475   | Phase Sensor.....                     | K6  | K6  | K6                          | K6  | K6  |     |     |     |
| 307-1083   | Interposing.....                      | K11 | K11 | K11                         | K11 | K11 | K11 | K11 | K11 |

Note: Cover for K11 Relay is 301-8979

**Printed  
Circuit  
Board**

|          |   |    |
|----------|---|----|
| 300-2690 | 1 | 51 |
|----------|---|----|

|          |   |   |    |    |   |    |   |    |    |    |     |     |    |     |    |     |
|----------|---|---|----|----|---|----|---|----|----|----|-----|-----|----|-----|----|-----|
| 300-2759 | 3 | 4 | 4X | 5D | 7 | 7X | 8 | 9X | 53 | 54 | 54X | 55D | 57 | 57X | 58 | 59X |
|----------|---|---|----|----|---|----|---|----|----|----|-----|-----|----|-----|----|-----|

**Meter Group**

LT \_\_\_\_\_ (a) (c) \_\_\_\_\_ / \_\_\_\_\_ (b) \_\_\_\_\_ F

30 60

01 02 03 04 05 06

Normal Lamp

|   |   |   |   |    |    |   |    |
|---|---|---|---|----|----|---|----|
| 1 | 2 | 3 | 4 | 4X | 5D | 7 | 9X |
|---|---|---|---|----|----|---|----|

PART NO QTY USED

322-0318 1

Emergency Lamp

|   |   |   |   |    |    |   |    |
|---|---|---|---|----|----|---|----|
| 1 | 2 | 3 | 4 | 4X | 5D | 7 | 9X |
|---|---|---|---|----|----|---|----|

322-0317 1

Light Bulb

|   |   |   |   |    |    |   |    |
|---|---|---|---|----|----|---|----|
| 1 | 2 | 3 | 4 | 4X | 5D | 7 | 9X |
|---|---|---|---|----|----|---|----|

322-0316 2

Resistor

4X

350-1206 2

Resistor

|   |    |
|---|----|
| 7 | 7X |
|---|----|

350-1205 2

Resistor

9X

350-1211 2

30 60

02 03 06

Voltmeter

1

302-1692 1

Voltmeter

|   |   |   |    |
|---|---|---|----|
| 2 | 3 | 4 | 5D |
|---|---|---|----|

302-1175 1

Voltmeter

|    |   |    |
|----|---|----|
| 4X | 7 | 7X |
|----|---|----|

302-1353 1

Voltmeter

9X

302-1710 1

30

03 06

Ammeter

|   |   |   |    |    |   |    |    |
|---|---|---|----|----|---|----|----|
| 1 | 2 | 4 | 4X | 5D | 7 | 7X | 9X |
|---|---|---|----|----|---|----|----|

302-1677 1

Ammeter

3

302-1677 2

60

03 06

Ammeter

|   |   |   |    |    |   |    |    |
|---|---|---|----|----|---|----|----|
| 1 | 2 | 4 | 4X | 5D | 7 | 7X | 9X |
|---|---|---|----|----|---|----|----|

302-1678 1

Ammeter

3

302-1678 2

30 60

03 05 06

Frequency Meter

1

302-1743 1

Frequency Meter

|   |   |   |    |    |   |    |    |
|---|---|---|----|----|---|----|----|
| 2 | 3 | 4 | 4X | 5D | 7 | 7X | 9X |
|---|---|---|----|----|---|----|----|

302-1153 1

Frequency Meter

|    |    |    |     |     |    |     |     |
|----|----|----|-----|-----|----|-----|-----|
| 52 | 53 | 54 | 54X | 55D | 57 | 57X | 59X |
|----|----|----|-----|-----|----|-----|-----|

302-1714 1

30 60

03 04 05

Running Time Meter

1

302-1167 1

Running Time Meter

|   |   |   |    |    |   |    |    |
|---|---|---|----|----|---|----|----|
| 2 | 3 | 4 | 4X | 5D | 7 | 7X | 9X |
|---|---|---|----|----|---|----|----|

302-1169 1

Running Time Meter

|    |    |    |     |     |    |     |     |
|----|----|----|-----|-----|----|-----|-----|
| 52 | 53 | 54 | 54X | 55D | 57 | 57X | 59X |
|----|----|----|-----|-----|----|-----|-----|

302-1168 1

NOTE: Part Numbers are used for 50 Hz Models also.

**Transformers**

LT \_\_\_\_\_ (b) (c) (a) \_\_\_\_\_ F

02  
03  
06

30  
60

|        |          | PART NO  | QTY USED |
|--------|----------|----------|----------|
| T2, T4 | 4X       | 315-0020 | 2        |
|        | 7 7X     | 315-0624 | 2        |
| T3     | 9X       | 315-0023 | 2        |
|        | 4X       | 315-0034 | 1        |
|        | 7 7X     | 315-0623 | 1        |
| T5     | 9X       | 315-0026 | 1        |
|        | 4X 7X 9X | 315-0377 | 1        |

00  
01  
04  
05

30  
60

|        |    | PART NO  | QTY USED |
|--------|----|----------|----------|
| T2, T4 | 4X | 315-0020 | 2        |
|        | 7  | 315-0613 | 2        |
|        | 7X | 315-0624 | 2        |
| T3     | 9X | 315-0023 | 2        |
|        | 4X | 315-0034 | 1        |
|        | 7  | 315-0614 | 1        |
|        | 7X | 315-0624 | 1        |
|        | 9X | 315-0026 | 1        |

**Current Transformers**

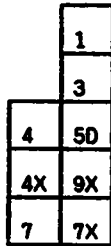
30  
60

|          |   |
|----------|---|
| 302-0123 | 3 |
| 302-0076 | 3 |

**Wiring  
Harnesses**

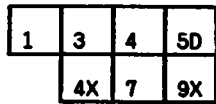
LT \_\_\_\_\_ (b) \_\_\_\_\_ / \_\_\_\_\_ (a) \_\_\_\_\_ F

Cabinet



| PART NO  | QTY USED |
|----------|----------|
| 338-1726 | 1        |
| 338-1722 | 1        |
| 338-1714 | 1        |
| 338-1791 | 1        |
| 338-1869 | 1        |

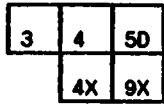
Lights



|          |   |
|----------|---|
| 338-1713 | 1 |
| 338-1790 | 1 |

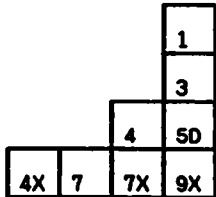
Meters

02



|          |   |
|----------|---|
| 338-1720 | 1 |
| 338-1751 | 1 |

03

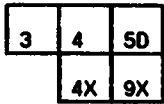


|          |   |
|----------|---|
| 338-1871 | 1 |
| 338-1716 | 1 |
| 338-1717 | 1 |
| 338-1750 | 1 |

04

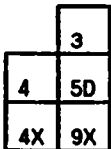
No Harness. Leads Only

05



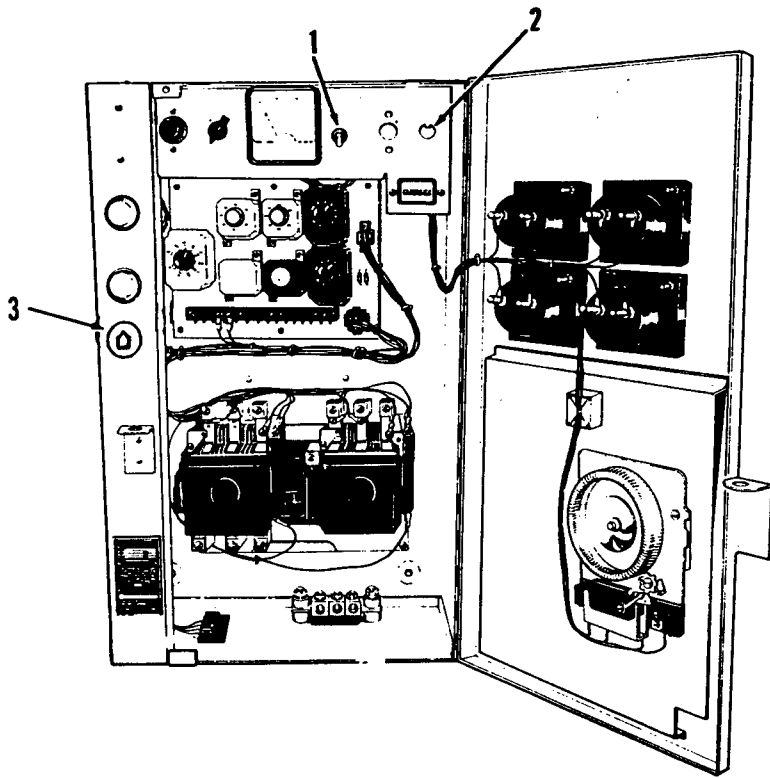
|          |   |
|----------|---|
| 338-1721 | 1 |
| 338-1748 | 1 |

06



|          |   |
|----------|---|
| 338-1718 | 1 |
| 338-1719 | 1 |
| 338-1749 | 1 |

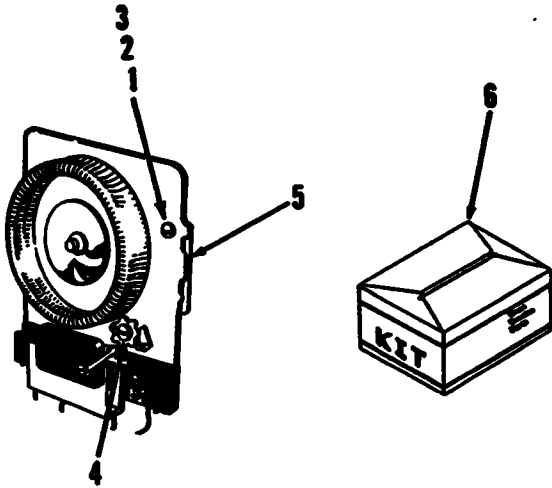
# Switches



| REF NO. | PART NO. | QTY USED | PART DESCRIPTION             | REF NO. | PART NO. | QTY USED | PART DESCRIPTION                 |
|---------|----------|----------|------------------------------|---------|----------|----------|----------------------------------|
| 1       | 308-0412 | 1        | Switch, Transfer - Test (S1) | 3       | 308-0670 | 1        | Switch, Rotary - Volts/Amps (S2) |
| 2       | 308-0771 | 1        | Switch, Selector (S3)        |         |          |          |                                  |

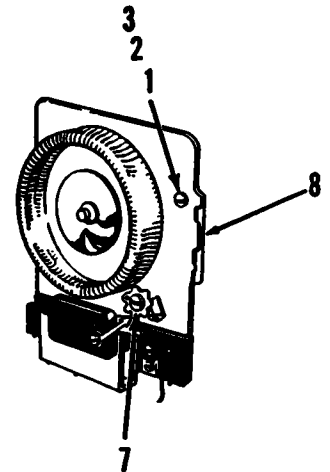
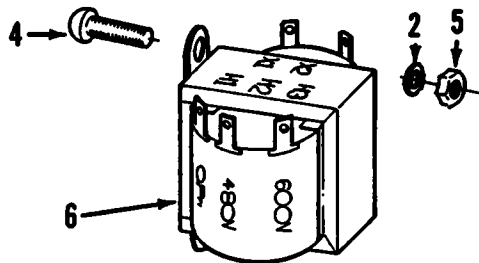
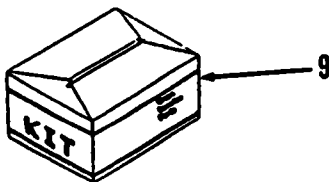
**Exerciser  
Clock**

LT \_\_\_\_\_ / \_\_\_\_\_ F



| REF NO. | PART NO. | QTY USED | PART DESCRIPTION                           | REF NO. | PART NO. | QTY USED | PART DESCRIPTION     |
|---------|----------|----------|--|---------|----------|----------|----------------------|
| 1       | 332-2686 | 2        | Spacer, Timer                              | 4       | 307-2396 | 7        | Screw, Omitting      |
| 2       | 853-0003 | 2        | Washer, Lock - ET (#6)                     | 5       | See Tab  | 1        | Switch, Time         |
| 3       | 812-0068 | 2        | Screw, Machine - Round Head (#6 - 32 x 1") | 6       | See Tab  | 1        | Clock Kit, Exerciser |

|    |    |     | Tab #6   | Tab #5   |
|----|----|-----|----------|----------|
|    |    | 1   | 300-2813 | 307-2177 |
| 3  | 4  | 5D  | 300-2814 | 307-2179 |
|    |    | 51  | 300-2816 | 307-2178 |
| 53 | 54 | 55D | 300-2817 | 307-2180 |

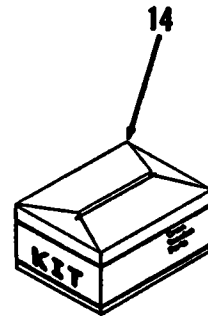
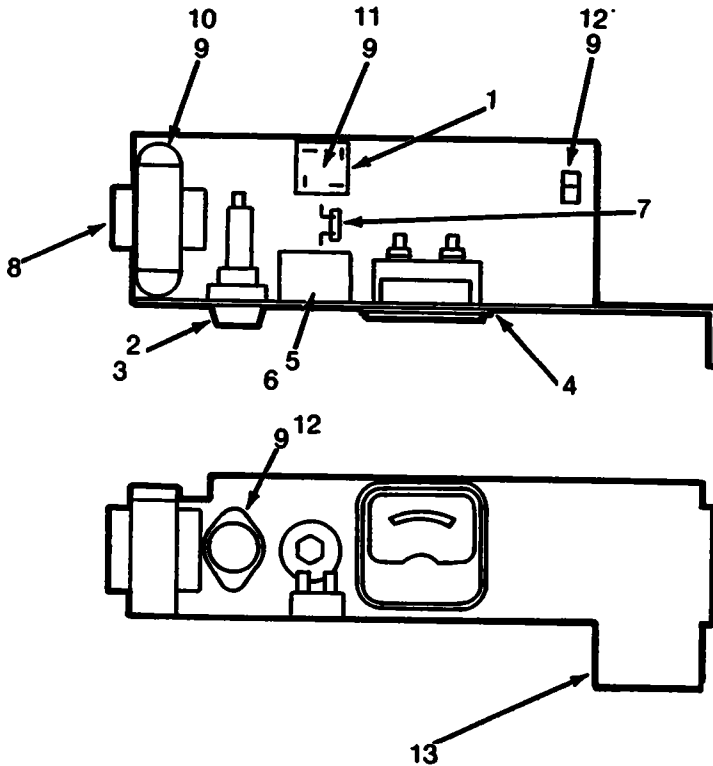


| REF NO. | PART NO. | QTY USED | PART DESCRIPTION                             | REF NO. | PART NO. | QTY USED | PART DESCRIPTION     |
|---------|----------|----------|--|---------|----------|----------|----------------------|
| 1       | 332-2686 | 2        | Spacer, Timer                                | 6       | 315-0377 | 1        | Transformer          |
| 2       | 853-0003 | 4        | Washer, Lock - ET (#6)                       |         | 315-0612 | 1        | Voltage Codes 4X, 9X |
| 3       | 812-0068 | 2        | Screw, Machine - Round Head (#6 - 32 x 1")   | 7       | 307-2396 | 7        | Screw, Omitting      |
| 4       | 812-0059 | 2        | Screw, Machine - Round Head (#6 - 32 x 1/4") | 8       | See Tab  | 1        | Switch, Time         |
| 5       | 860-0006 | 2        | Nut, Hex (#6 - 32)                           | 9       | See Tab  | 1        | Clock Kit, Exerciser |

|     |    |     |     | Tab #9   | Tab #8   |
|-----|----|-----|-----|----------|----------|
| 4X  | 7  | 7X  | 9X  | 300-2815 | 307-2177 |
| 54X | 57 | 57X | 59X | 300-2818 | 307-2178 |

**Battery  
Charger  
(Milliamp)**

LT \_\_\_\_\_ / \_\_\_\_\_ F



| REF NO. | PART NO. | QTY USED | PART DESCRIPTION   | REF NO. | PART NO. | QTY USED | PART DESCRIPTION                             |
|---------|----------|----------|--------------------|---------|----------|----------|--|
| 1       | 305-0653 | 1        | Rectifier, Bridge  | 9       | 812-0077 | 5        | Screw, Machine - Round Head (#8 - 32 x 3/8") |
| 2       | 321-0236 | 1        | Cartridge, Fuse    | 10      | 850-1025 | 2        | Washer, Lock (8 - 32)                        |
| 3       | 321-0237 | 1        | Holder, Fuse       | 11      | 853-1005 | 1        | Washer, Lock - ET (8 - 32)                   |
| 4       | 302-0489 | 1        | Meter, Ampere      | 12      | 870-0221 | 2        | Nut, Lock (8 - 32)                           |
| 5       | 303-0117 | 1        | Rheostat           | 13      | 301-8260 | 1        | Panel, Control                               |
| 6       | 303-0076 | 1        | Knob               | 14      | See Tab  | 1        | Charger Kit, Battery                         |
| 7       | 304-0538 | 1        | Resistor, Fixed    |         |          |          |  |
| 8       | See Tab  | 1        | Transformer, Power |         |          |          |  |

|   |   |    |    |   |    |    | Tab #14  | Tab #8   |
|---|---|----|----|---|----|----|----------|----------|
|   |   |    |    |   |    | 1  | 300-2823 | 315-0009 |
| 3 | 4 | 4X | 5D | 7 | 7X | 9X | 300-2824 | 315-0010 |



**Programmed  
Transition**

LT \_\_\_\_\_ / \_\_\_\_\_ F

| REF NO. | PART NO.   | QTY USED | PART DESCRIPTION                                |
|---------|------------|----------|---|
|         | See Tab #1 | 2        | Relay, Delay - Time                             |
|         | 350-0146   | 2        | Resistor  |
|         | 812-0079   | 2        | Screw, Machine - Round Head<br>(#8 - 32 x 7/8") |

| REF NO. | PART NO.   | QTY USED | PART DESCRIPTION           |
|---------|------------|----------|----------------------------|
|         | 853-0005   | 2        | Washer, Lock - ET (#8)     |
|         | 860-0008   | 2        | Nut, Hex ((#8 - 32)        |
|         | C230       | 1        | Instructions               |
|         | See Tab #7 | 1        | Transition Kit, Programmed |

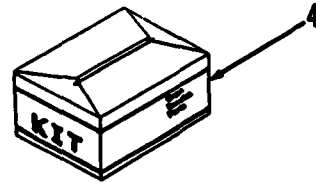
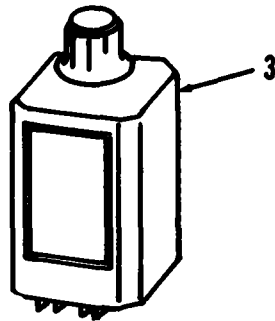
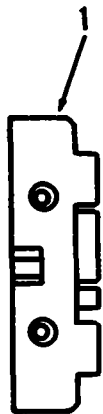
|   |   |    | Tab #7   | Tab #1   |
|---|---|----|----------|----------|
|   |   | 1  | 300-2884 | 307-1959 |
| 3 | 4 | 50 | 300-2885 | 307-1960 |

| REF NO. | PART NO.   | QTY USED | PART DESCRIPTION                                |
|---------|------------|----------|---|
|         | See Tab #1 | 2        | Relay, Delay - Time                             |
|         | 812-0077   | 4        | Screw, Machine - Round Head<br>(#8 - 32 x 3/8") |
|         | 853-0005   | 4        | Washer, Lock - ET (#8)                          |

| REF NO. | PART NO.   | QTY USED | PART DESCRIPTION           |
|---------|------------|----------|----------------------------|
|         | 860-0008   | 4        | Nut, Hex (#8 - 32)         |
|         | 332-0942   | 6        | Tie, Cable                 |
|         | C231       | 1        | Instructions               |
|         | See Tab #7 | 1        | Transition Kit, Programmed |

|    |   |    | Tab #7   | Tab #1   |
|----|---|----|----------|----------|
| 4X | 7 | 7X | 300-2882 | 307-1110 |
|    |   | 9X | 300-2883 | 307-2472 |

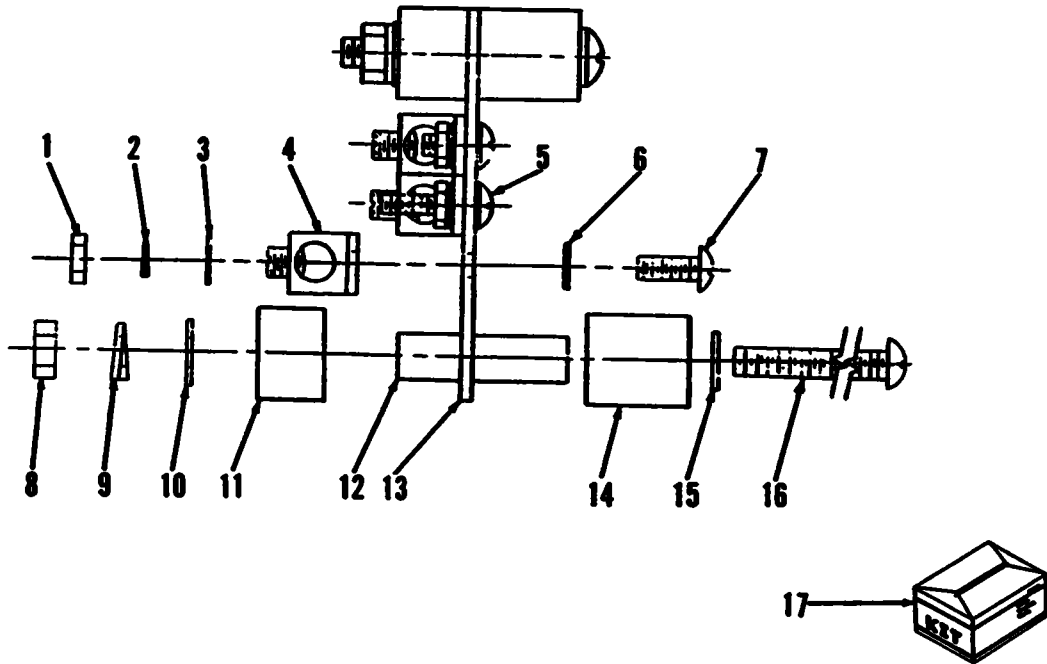
**Preheat  
Relay**



| REF NO. | PART NO. | QTY USED | PART DESCRIPTION   |
|---------|----------|----------|--------------------|
| 1       | 323-0804 | 1        | Socket, Relay      |
| 2       | 307-1987 | 2        | Holddown, Relay    |
| 3       | 307-1914 | 1        | Relay, Preheat     |
| 4       | 300-2913 | 1        | Preheat Kit, Relay |

| REF NO. | PART NO. | QTY USED | PART DESCRIPTION   |
|---------|----------|----------|--------------------|
|         | 332-2420 | 2        | Mount, Tie - Cable |
|         | 332-0942 | 8        | Tie, Cable         |
|         | C225     | 1        | Instructions       |

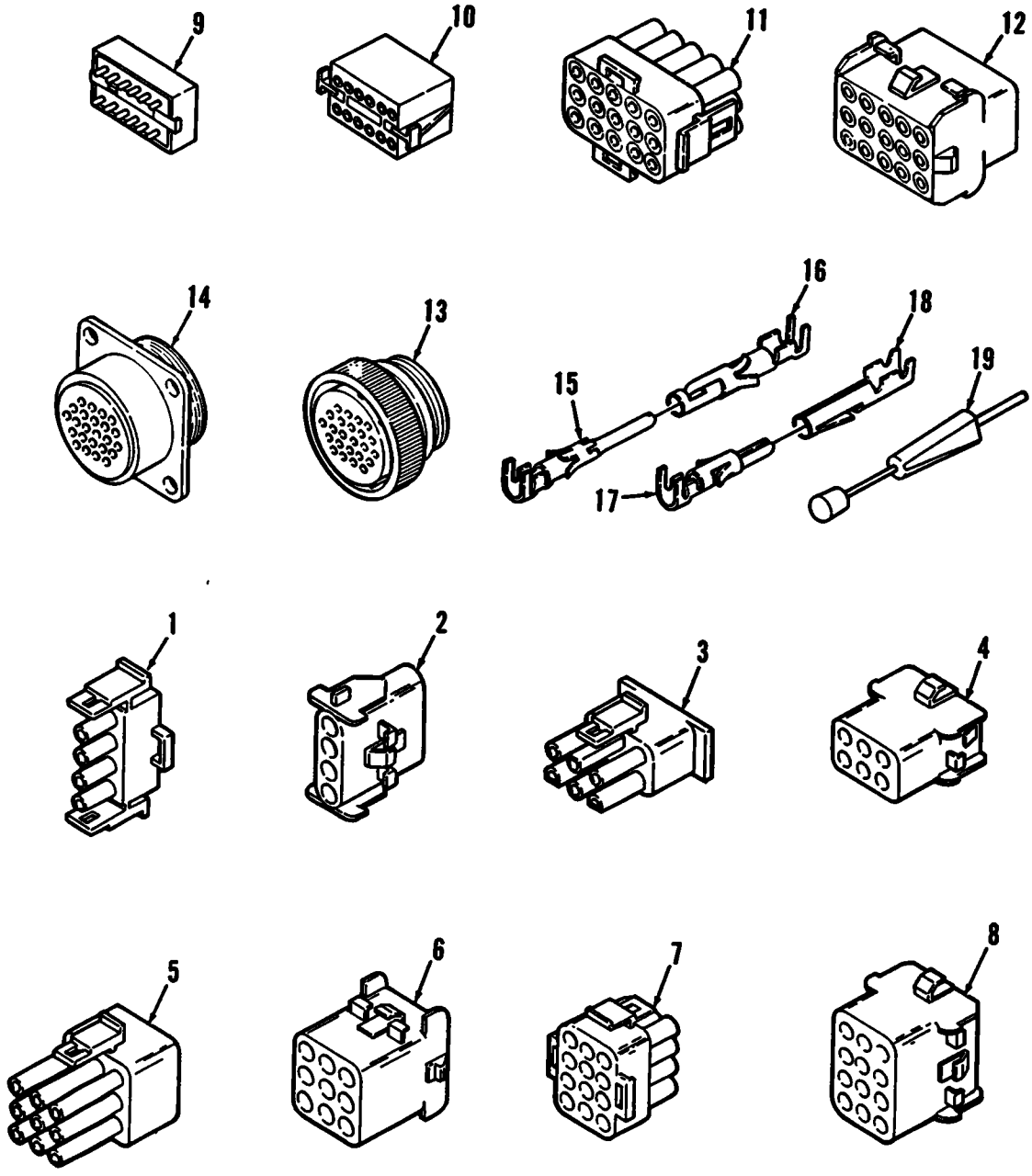
**Neutral  
Bar**



| REF NO. | PART NO. | QTY USED | PART DESCRIPTION                               | REF NO. | PART NO. | QTY USED | PART DESCRIPTION                             |
|---------|----------|----------|--|---------|----------|----------|--|
| 1       | 870-0053 | 3        | *Nut, Hex (#10 - 32)                           | 11      | 332-1320 | 2        | *Spacer, Bar - Neutral                       |
| 2       | 850-0030 | 3        | *Washer, Lock (#10)                            | 12      | 332-1349 | 2        | *Insulator, Bar - Neutral                    |
| 3       | 526-0049 | 3        | *Washer, Flat (#10)                            | 13      | 332-0773 | 1        | *Connector, Bar - Neutral                    |
| 4       | 332-1572 | 3        | *Lug, Solderless                               | 14      | 332-1348 | 2        | *Spacer, Bar - Neutral                       |
| 5       | 813-0103 | 1        | *Screw, Machine - Round Head (#10 - 32 x 3/4") | 15      | 854-0014 | 2        | *Washer, Lock - IT (1/4)                     |
| 6       | 854-0010 | 3        | *Washer, Lock - IT (#10)                       | 16      | 812-0158 | 2        | *Screw, Machine - Round Head (1/4 - 20 x 2") |
| 7       | 813-0100 | 2        | *Screw, Machine - Round Head (#10 - 32 x 1/2") | 17      | 332-2677 | 1        | Bar Kit, Neutral (Includes Parts Marked *)   |
| 8       | 862-0001 | 2        | *Nut, Hex (1/4 - 20)                           |         | 98-4963  | 1        | *Label, Torque                               |
| 9       | 850-0040 | 2        | *Washer, Lock (1/4)                            |         | C232     | 1        | *Instructions                                |
| 10      | 526-0052 | 2        | *Washer, Flat (1/4)                            |         |          |          |  |

\* Parts Included In 332-2677 Neutral Bar Kit.

# Pins & Sockets



| REF NO. | PART NO. | QTY USED | PART DESCRIPTION     | REF NO. | PART NO. | QTY USED | PART DESCRIPTION                                 |
|---------|----------|----------|----------------------|---------|----------|----------|--|
| 1       | 323-1292 | 1        | Housing, Pin - 4     | 13      | 323-1207 | 1        | Housing, Pin - 24                                |
| 2       | 323-1333 | 1        | Housing, Socket - 4  | 14      | 323-1206 | 1        | Housing, Socket - 24                             |
| 3       | 323-1317 | 1        | Housing, Pin - 6     | 15      | 323-1194 | 1        | Pin, Contact (Used With Circular Housings)       |
| 4       | 323-1318 | 1        | Housing, Socket - 6  | 16      | 323-1195 | 1        | Socket, Contact (Used With Circular Housings)    |
| 5       | 323-1291 | 1        | Housing, Pin - 9     | 17      | 323-1199 | 1        | Pin, Contact (Used With Rectangular Housings)    |
| 6       | 323-1325 | 1        | Housing, Socket - 9  | 18      | 323-1200 | 1        | Socket, Contact (Used With Rectangular Housings) |
| 7       | 323-1314 | 1        | Housing, Pin - 12    | 19      | 420-0487 | 1        | Tool, Removal - Pin                              |
| 8       | 323-1315 | 1        | Housing, Socket - 12 |         |          |          |  |
| 9       | 323-0983 | 1        | Housing, Pin - 12    |         |          |          |  |
| 10      | 323-0984 | 1        | Housing, Socket - 12 |         |          |          |  |
| 11      | 323-1252 | 1        | Housing, Pin - 15    |         |          |          |  |
| 12      | 323-1253 | 1        | Housing, Socket - 15 |         |          |          |  |

**Onan**

**Onan Corporation  
1400 73rd Avenue N. E.  
Minneapolis, MN 55432  
612-574-5000  
Telex: 275477  
Fax: 612-574-8087**