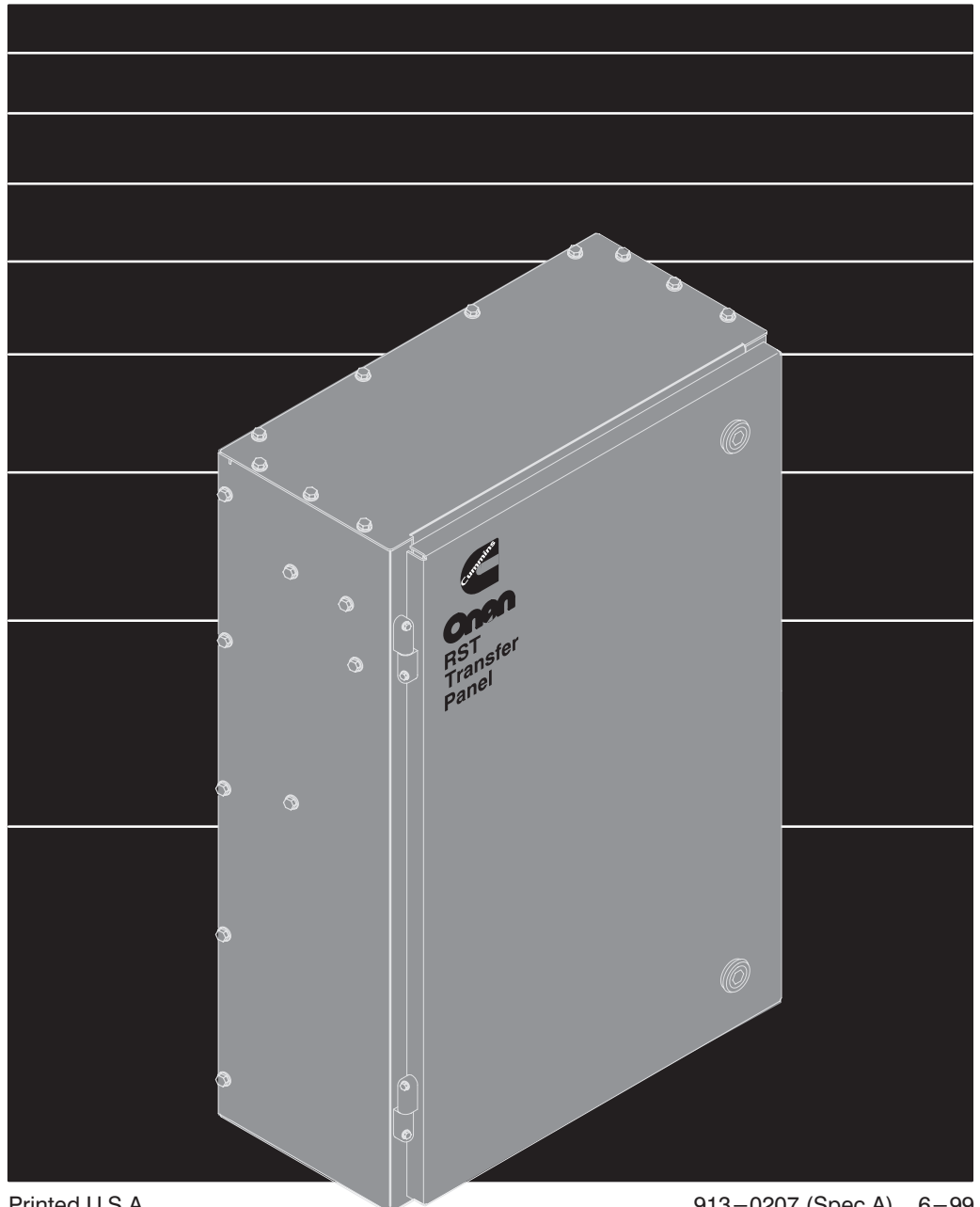




# Parts Catalog

## RST 200 Automatic Transfer Panel



## MODEL IDENTIFICATION

To avoid errors or delay in filling your parts order, always give the MODEL, SPEC NO. and SERIAL NO. from the Onan nameplate.

For handy reference, insert your nameplate information in the spaces below.

---

MODEL AND SPEC NO.

---

SERIAL NO.

---

DIGITAL CONTROL SOFTWARE VERSION  
AND DATE (IF APPLICABLE)

## SAFETY PRECAUTIONS

The following symbols are used in Onan manuals to alert users to the potentially dangerous conditions relating to maintenance of equipment and replacement of parts. Please read and observe.



*This symbol warns of immediate hazards which will result in severe personal injury or death.*



*This symbol refers to a hazard or unsafe practice which can result in severe personal injury or death.*



*This symbol refers to a hazard or unsafe practice which can result in severe personal injury or product or property damage.*

## PRODUCT SAFETY PRECAUTIONS



***Service and repair of Onan equipment must be performed by trained, experienced personnel only. Improper service or repair may result in property damage, severe personal injury or death. Do not use this catalog as a guide to servicing your equipment. Read and follow the IMPORTANT SAFETY INSTRUCTIONS in the Service Manual appropriate for the equipment you are working on.***



***Contact with USED ENGINE OILS has been identified by a United States federal agency and some USA state agencies as causing CANCER or REPRODUCTIVE TOXICITY. When checking or changing engine oils take all necessary precautions not to ingest, breathe the fumes or contact the used oil.***



***Contact with ASBESTOS has been identified by a United States federal agency and some USA state agencies as causing CANCER or REPRODUCTIVE TOXICITY. When handling engine gaskets take all necessary precautions not to ingest, breathe or contact the dust from the gaskets! Use adequate ventilation and wear protective gloves, masks and clothing!***



***Contact with BENZINE and LEAD, found in gasoline, fuel additives and solvents has been identified by a United States federal agency and some USA state agencies as causing CANCER or REPRODUCTIVE TOXICITY. When checking, draining or adding gasoline and fuel additives or using solvents take all necessary precautions not to ingest, breathe the fumes or contact the liquids. Use adequate ventilation and wear protective gloves, masks and protective clothing!***

## Introduction

This catalog applies to the RST Spec A Automatic Transfer Panel. Each illustrated part is identified by a reference number corresponding to the same reference number in the parts list for that group. Parts illustrations are typical. Using the model and spec number from the switch box nameplate, select the parts that apply to your Automatic Transfer Panel. Unless otherwise noted in the parts description, parts are interchangeable between models.

## Feature Options

Code	Description
A005	Line Side Mechanically Held Generator Side Electrically Held
A028	3-Pole Switch
A035	Utility to Generator Set Applications
A041	One Phase – 2 or 3 wire
A044	Frequency – 60 Hz
A046	Listing – UL
B001	Cabinet – Type 1
C021	Electronic Control – Fixed Time Delay
K001	Battery Charger – 2 Amp, 12/24V
R023	Voltage – 240

# Index

Ammeter, DC – Battery Charger, **8**

Bar, Neutral, **7**

Board, Printed Circuit – Battery Charger, **8**

Board, Printed Circuit – Control, **5**

Cabinet, **7**

Charger, Battery – 2 Amp, 12/24 Volt, **8**

Contact, Auxiliary – Contactor Assembly, **4**

Contactor – Contactor Assembly, **4**

Contactor Assembly, **4**

Control, **5**

Cover, Charger – Battery Charger, **8**

Cover, Control, **5**

Door, Cabinet, **7**

Fuse – Battery Charger, **8**

Harness, Wiring – Battery Charger, **8**

Harness, Wiring – Control, **5**

Harness, Wiring – Main, **7**

Hinge, Block – Cabinet, **7**

Holder, Fuse – Battery Charger, **8**

Interlock, Mechanical – Contactor Assembly, **4**

Latch, Door – Cabinet, **7**

Lug, Solderless – Cabinet, **7**

Lug, Solderless – Contactor Assembly, **4**

Panel, Cabinet, **7**

Relay – Control, **5**

Resistor, Fixed – Battery Charger, **8**

Spring, Holddown – Control, **5**

Terminal, Solderless – Cabinet, **7**

Transformer – Battery Charger, **8**

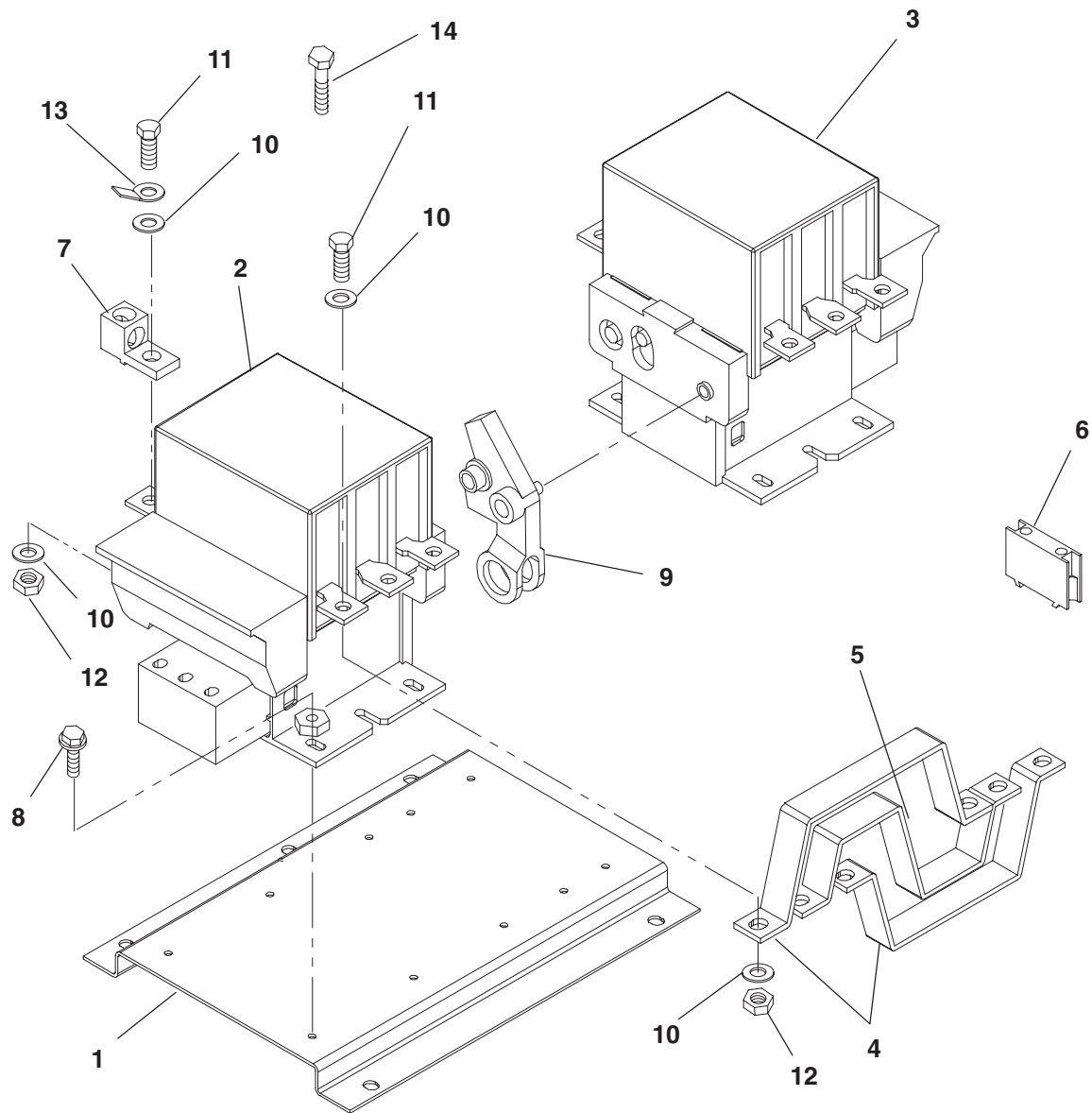
Wrapper, Charger – Battery Charger, **8**

## Abbreviations

Some of the following abbreviations may be used throughout this Parts Catalog:

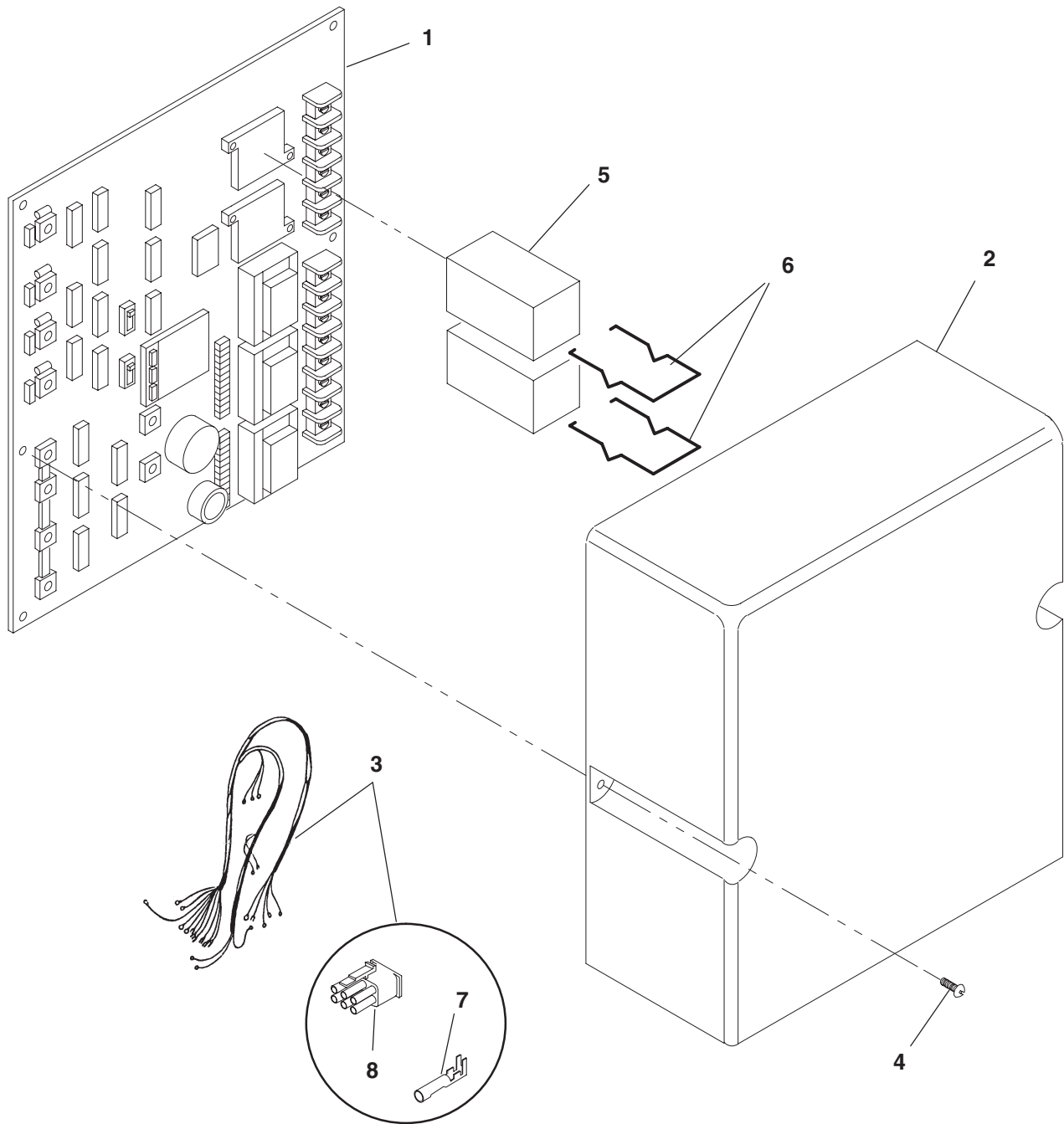
AC	Alternating Current	MCM	Metric Circular Mills
Amp	Ampere	mm	Millimeter
A/R	As Required	MOH	Mobile Off Highway
AVR	Automatic Voltage Regulator	NFS	Not For Sale
AWG	American Wire Gauge	NPT	National Pipe Thread
CSA	Canadian Standard Association	OD	Outside Diameter
DC	Direct Current	oz.	Ounce
Deg.	Degree	PCB	Printed Circuit Board
EFC	Electronic Fuel Control	Ph	Phase
EIT	External/Internal Tooth	PMG	Permanent Magnet Generator
EPROM	Erasable Programmable Read Only Memory	PT/CT	Potential Transformer/ Current Transformer
ET	External Tooth	RFI	Radio Frequency Interference
GFI	Ground Fault Interrupter	RT	Right
ID	Inside Diameter	Spec	Specification
IEC	International Electrotechnical Commission	Thk	Thick
IT	Internal Tooth	UL	Underwriters Laboratories Inc.
kW	Kilowatt	UNC	Union National Coarse
LPG	Liquid Petroleum Gas	UNF	Union National Fine
LT	Left	VAC	Volts Alternating Current
M(meter number)	Meter	VDC	Volts Direct Current
		W/(ET, IT, EIT)	With

## Contactor Assembly RST 200



REF NO.	PART NO.	QTY USED	PART DESCRIPTION	REF NO.	PART NO.	QTY USED	PART DESCRIPTION
	306-4322-04		Contactor Assembly	9	306-4312-03	1	Interlock, Mechanical
1	306-4282	1	Base	10	851-0028	24	Washer, Spring (5/16)
2	306-4315-04	1	Contact - Mechanically Held	11	800-0052	12	Screw, Cap - Hex Head (3/8-16 x .50)
3	306-4315-11	1	Contact - Electrically Held	12	862-0003	12	Nut, Hex (3/8-16)
4	337-2962-01	2	Bus Bar - A & C Jumper	13	332-2564	5	Terminal, Ring (3/8)
5	337-2963-01	1	Bus Bar - B Jumper	14	815-0389	4	Screw, Hex Head - Thread Cutting (1/4-20 x .375)
6	306-4284-02	2	Contact, Auxiliary				
7	332-3493-01	9	Lug, Solderless				
8	815-0652	8	Screw, Hex Head - Slotted (#10-32)				

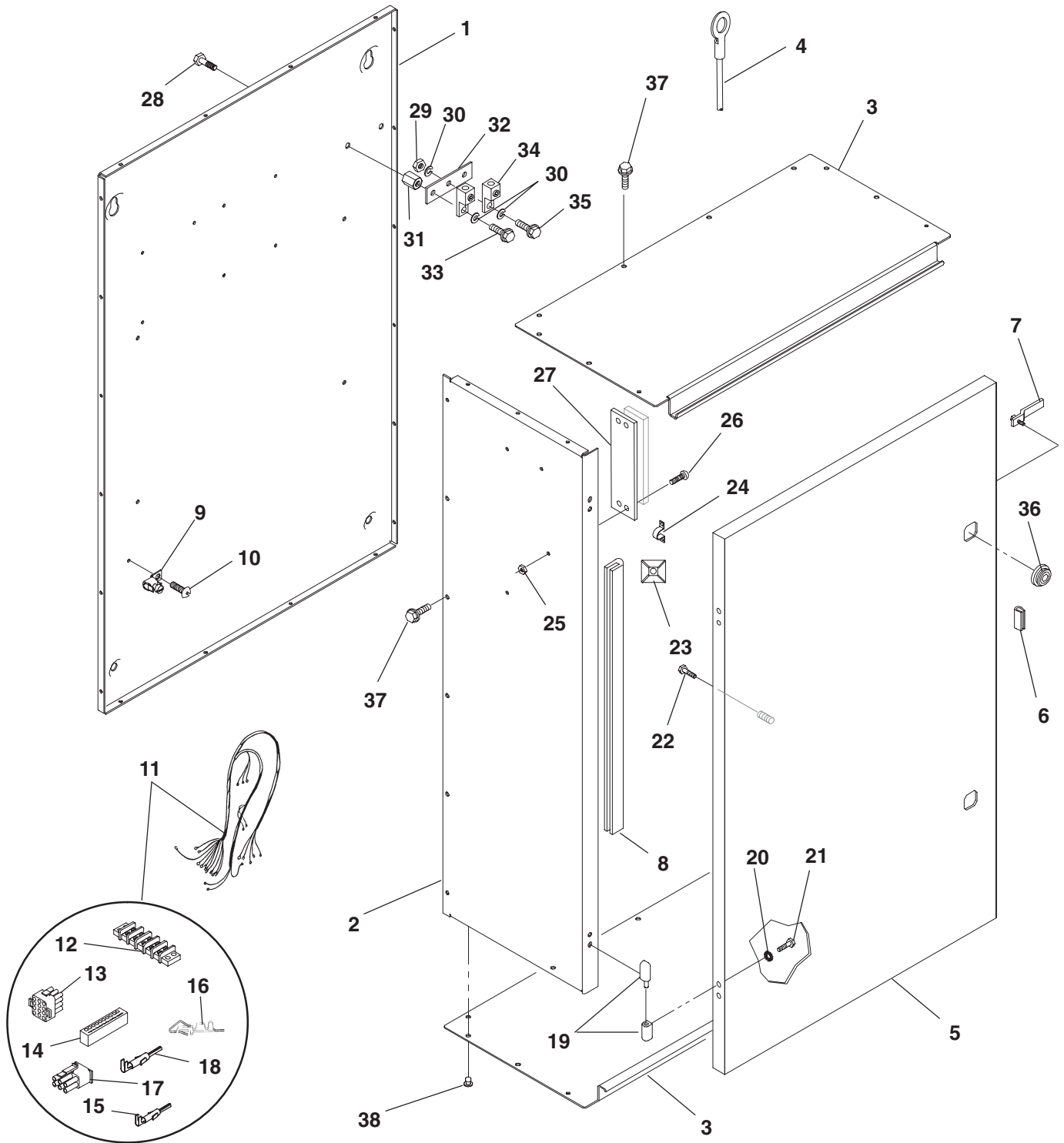
# Control



REF NO.	PART NO.	QTY USED	PART DESCRIPTION	REF NO.	PART NO.	QTY USED	PART DESCRIPTION
1	300-4754-01		Board, Printed Circuit – Control	5	307-1058-01	2	Relay – 12 VDC (K1, K2)
2	306-4309	1	Cover, Control	6	307-1157	2	Spring, Holddown
3	338-3349		Harness, Control (Includes Parts Marked *)	7	323-1200	9	*Socket, Terminal
4	815-0902	2	Screw, Machine – Round Head – Cross Recessed – W/IT (#6-32 x .375)	8	323-1315	1	*Cap, Connector – 12 Place (J1)

\* – Parts Included in 338-3349 Wiring Harness

# Cabinet



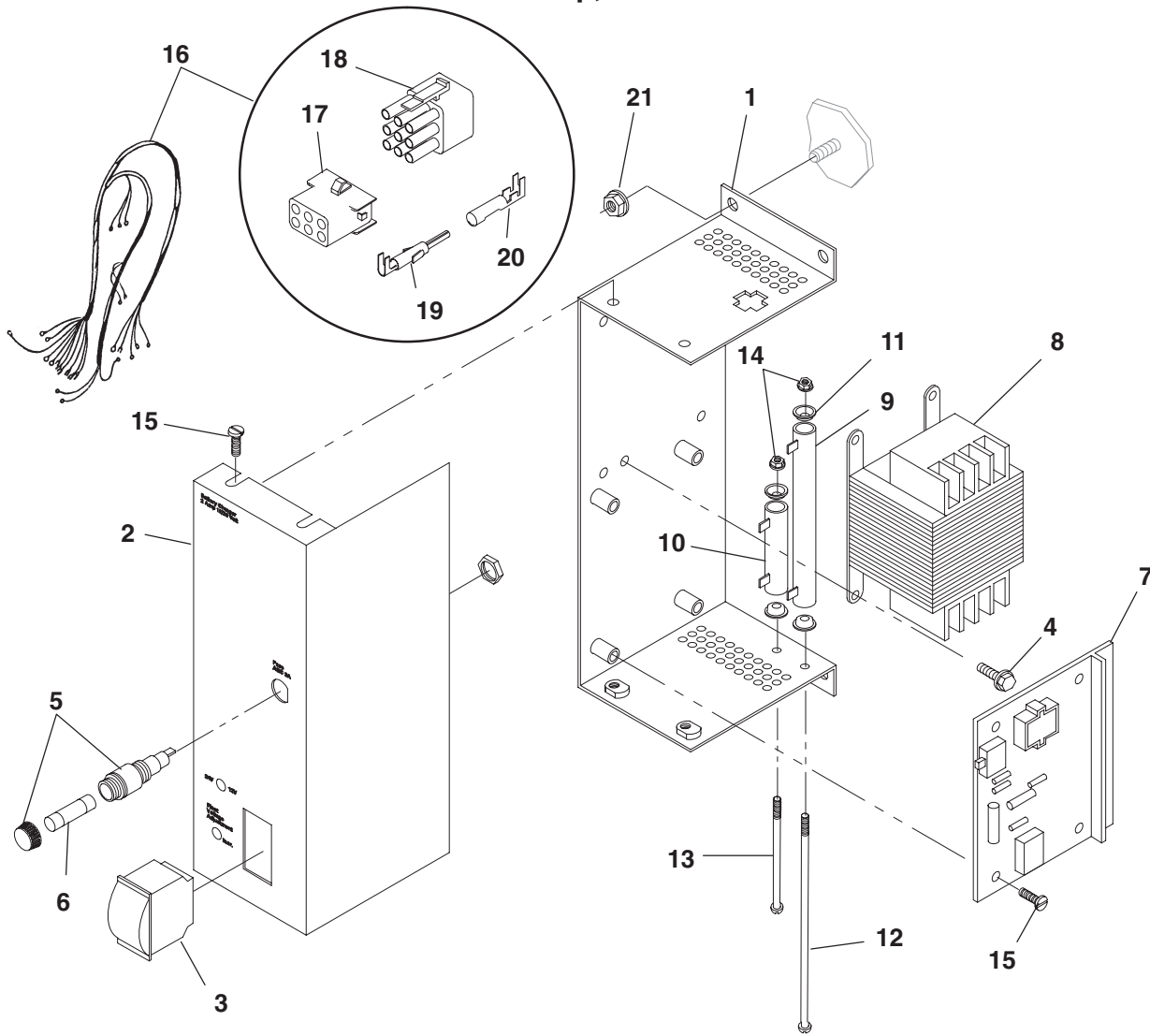


## Cabinet

REF NO.	PART NO.	QTY USED	PART DESCRIPTION	REF NO.	PART NO.	QTY USED	PART DESCRIPTION
1	319-2792	1	Panel, Back	22	815-0902	8	Screw, Pan Head – Cross-Recessed – W/ET (#6-32 x .375)
2	319-2731	2	Panel, Side				
3	319-2791	2	Panel, Top and Bottom				
4	226-3554-01	1	Lead (Quantity Used As Required)	23	332-2420	3	Mount, Cable Tie
5	319-3976-01	1	Door, Cabinet	24	332-1045	1	Jumper, Terminal Board
6	508-1114	3	Edge, Protection	25	870-0131	2	Nut, Hex – ET (#8-32)
7	406-0932-01	2	Latch, Cam (Single Point)	26	812-0082	2	Screw, Machine – Round Head (#8-32 x 3/4)
8	508-1045	1	Edge, Protection	27	332-3515	1	Marker, Strip
9	332-0142	1	Terminal, Solderless	28	800-0002	2	Screw, Cap – Hex Head (1/4-20 x .375)
10	815-0389	1	Screw, Hex Washer Head – Thread Forming (1/4-20 x .375)	29	862-0001	1	Nut, Hex (1/4-20)
11	338-3447		Harness, Wiring – Main (Includes Parts Marked *)	30	851-0027	4	Washer, Spring (1/4)
12	332-0503	1	* Block, Terminal	31	332-2370	2	Standoff, Insulator
13	323-1314	1	* Plug, Connector – 12 Pin (P1)	32	337-2366	1	Bar, Neutral
14	323-1374-10	1	* Housing, Printed Circuit Board – 10 Pin (P4)	33	800-0005	2	Screw, Cap – Hex Head (1/4-20 x .75)
15	323-1199	11	* Pin, Contact	34	332-3493-02	3	Lug, Solderless
16	323-1302	7	* Pin, Contact	35	800-0007	1	Screw, Cap – Hex Head (1/4-20 x 1)
17	323-1317	1	* Plug – 6 Pin (P6)	36	406-0930	2	Latch, Door
18	323-1703	2	* Pin, Contact	37	815-0903-03	4	Screw, Cap – Hex Head (Ground) (#10-32 x .50)
19	406-0810	2	Hinge, Block	38	818-0217-01	28	Rivet
20	853-2005	4	Washer, Lock – W/ET (M5)				
21	800-2000	4	Screw, Cap – Hex Head (M5 x 8)				

\* – Parts Included in 338-3447 Wiring Harness

## Battery Charger 2 Amp, 12/24 Volt



REF NO.	PART NO.	QTY USED	PART DESCRIPTION	REF NO.	PART NO.	QTY USED	PART DESCRIPTION
1	301-9990	1	Wrapper, Charger – Battery	13	813-0112	1	Screw, Machine – Round Head (#10-32 x 2-1/2)
2	301-9992	1	Cover, Charger – Battery (Includes Silkscreen)	14	870-0131	2	Nut, Hex – W/ET (#10-32)
3	302-0807	1	Ammeter, DC	15	815-0845	8	Screw, Pan Head – W/ET (#6-32 x 3/8)
4	821-0040	4	Screw, Machine – Locking Head Slotted (#10-32 x 5/16)	16	338-2149	1	Harness, Wiring (Includes Parts Marked *)
5	321-0175	1	Holder, Fuse	17	323-1318	1	*Cap, 6 pin (J6)
6	321-0153	1	Fuse, 3 Amp	18	323-1291	1	*Plug, 9 pin (P9)
7	300-2946	1	Board, Printed Circuit	19	323-1199	A/R	*Pin, Terminal
8	315-0621-02	1	Transformer – 240 Volt	20	323-1200	A/R	*Socket, Terminal
9	304-0037	1	Resistor, Fixed	21	870-0221	4	Nut, Hex – W/ET (#8-32)
10	304-0139	1	Resistor, Fixed				
11	304-0015	4	Washer, Centering (7/32")				
12	813-0116	1	Screw, Machine – Round Head (#10-32 x 6-1/2)				

\* – Parts Included in 338-2149 Wiring Harness

# Numerical Index

<u>Part No.</u>	<u>Page</u>	<u>Part No.</u>	<u>Page</u>	<u>Part No.</u>	<u>Page</u>	<u>Part No.</u>	<u>Page</u>
226-3554-01,	7	319-2791,	7	332-2420,	7	800-0052,	4
300-2946,	8	319-2792,	7	332-2564,	4	800-2000,	7
300-4754-01,	5	319-3976-01,	7	332-3493-01,	4	812-0082,	7
301-9990,	8	321-0153,	8	332-3493-02,	7	813-0112,	8
301-9992,	8	321-0175,	8	332-3515,	7	813-0116,	8
302-0807,	8	323-1199,	7, 8	337-2366,	7	815-0389,	4, 7
304-0015,	8	323-1200,	5, 8	337-2962-01,	4	815-0652,	4
304-0037,	8	323-1291,	8	337-2963-01,	4	815-0845,	8
304-0139,	8	323-1302,	7	338-2149,	8	815-0902,	5, 7
306-4282,	4	323-1314,	7	338-3349,	5	815-0903-03,	7
306-4284-02,	4	323-1315,	5	338-3447,	7	818-0217-01,	7
306-4309,	5	323-1317,	7	406-0810,	7	821-0040,	8
306-4312-03,	4	323-1318,	8	406-0930,	7	851-0027,	7
306-4315-04,	4	323-1374-10,	7	406-0932-01,	7	851-0028,	4
306-4315-11,	4	323-1703,	7	508-1045,	7	853-2005,	7
306-4322-04,	4	332-0142,	7	508-1114,	7	862-0001,	7
307-1058-01,	5	332-0503,	7	800-0002,	7	862-0003,	4
307-1157,	5	332-1045,	7	800-0005,	7	870-0131,	7, 8
315-0621-02,	8	332-2370,	7	800-0007,	7	870-0221,	8
319-2731,	7						



**Onan**

Onan Corporation  
1400 73rd Avenue N.E.  
Minneapolis, MN 55432  
612-574-5000  
Telex: 275477  
Fax: 612-574-8087

Onan is a registered trademark of Onan Corporation  
Cummins is a registered trademark of Cummins Engine Company