

The following catalog has gaps in its page numbers, or doesn't have any numbers. We have chosen to leave the page numbering in the order that Acrobat assigns it.

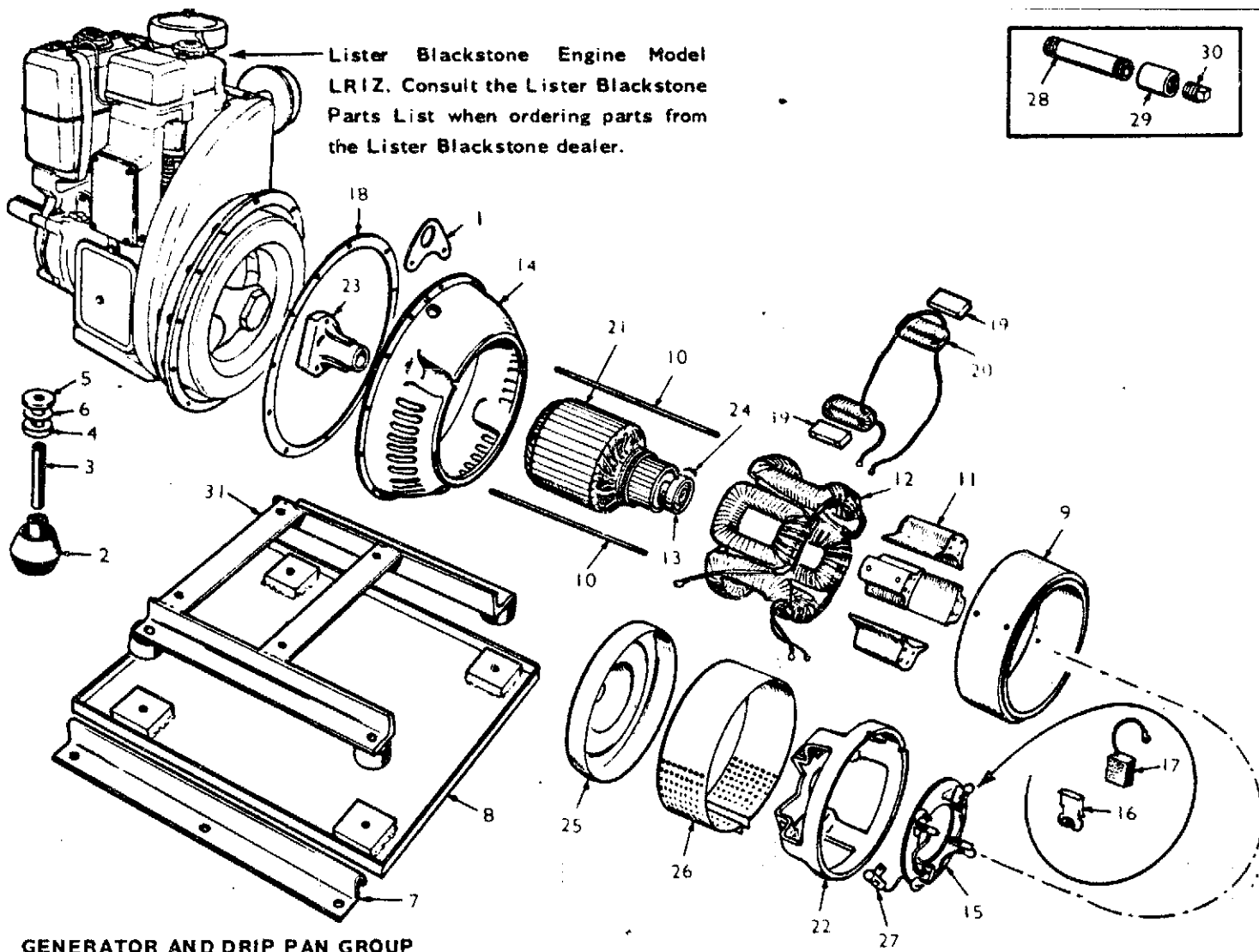
PARTS CATALOG

This catalog applies to the standard DLA plants as listed below. The DLA is powered by a Lister Blackstone engine (See Lister Blackstone Manual). *Onan* parts are arranged in groups of related items and are identified by a reference. All parts illustrations are typical. Using the Model and Spec No. from the *Onan* plant nameplate, select Parts Key No. (1, 2, etc., in the last column) that applies to your plant Model and Spec No. This Parts Key No. represents parts that differ between models. Unless otherwise mentioned, parts are interchangeable. Right and left plant sides are determined by facing the front end of the engine.

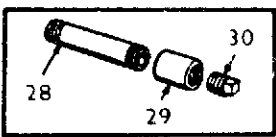
PLANT DATA TABLE

MODEL AND SPEC NO. *	ELECTRICAL DATA			PARTS KEY NO.
	WATTS	VOLTS	CYCLES	
205DLA-1M/	2500	120	60	1
205DLA-3M/	2500	120/240	60	2
205DLA-232E/	2500	32 DC		3
205DLA-1E4/	2500	120 AC 32 DC	60	4
205DLA-3E4/	2500	120/240 AC 32 DC	60	5

* - The Specification Letter advances (A to B, B to C, etc.) with manufacturing changes.



Lister Blackstone Engine Model LR1Z. Consult the Lister Blackstone Parts List when ordering parts from the Lister Blackstone dealer.



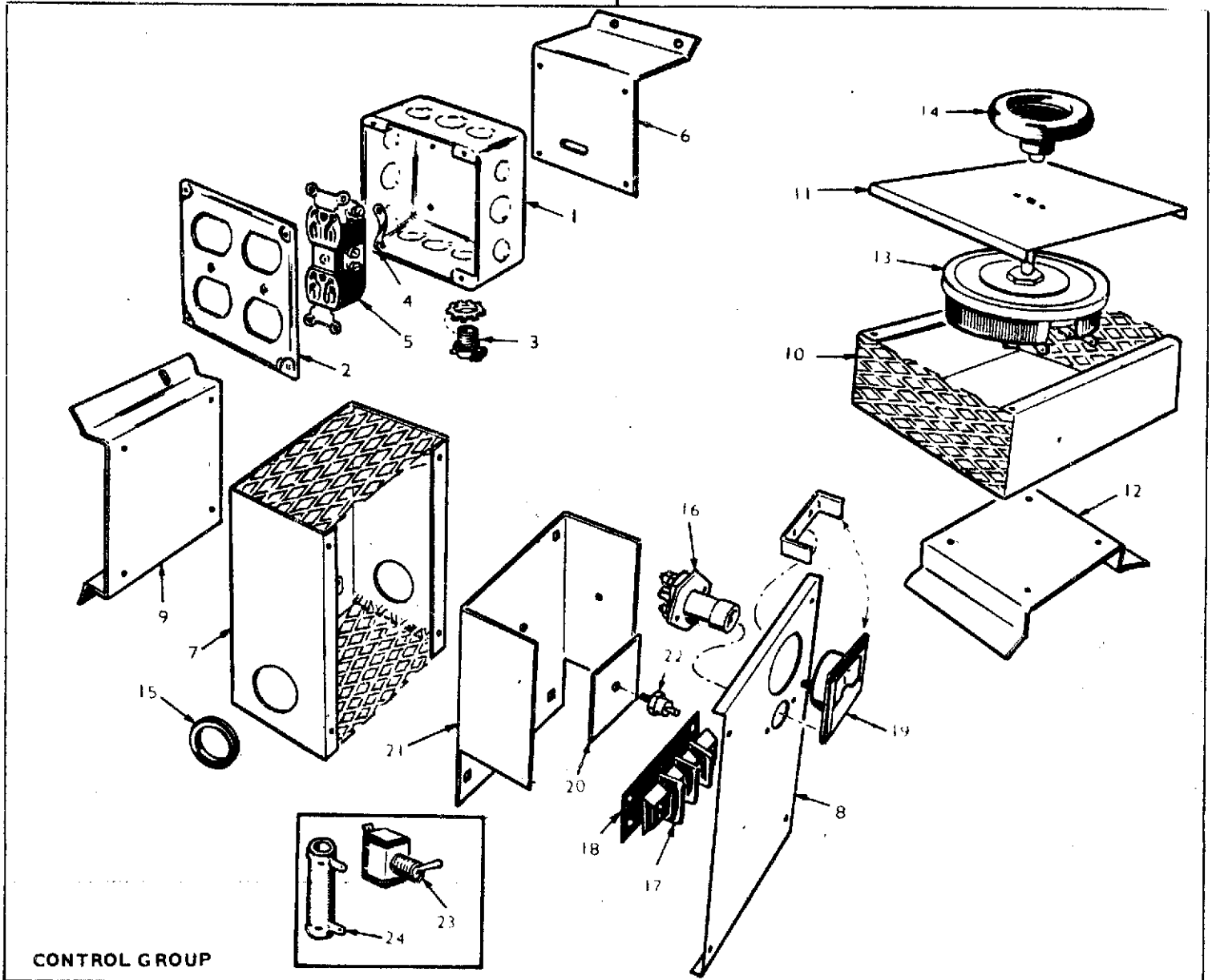
GENERATOR AND DRIP PAN GROUP

REF. NO.	PART NO.	QTY. USED	PART DESCRIPTION	REF. NO.	PART NO.	QTY. USED	PART DESCRIPTIONS
1	403A780	1	Bracket, Lifting		212B296	1	Key 2
2	CUSHION, MOUNTING				212C244	1	Key 3
	402B285	2	Generator End		212C314	1	Key 4
	402B284	2	Engine End		212C315	1	Key 5
3	402A328	4	Bushing, Mtg. Spacer	16	SPRING, BRUSH		
4	402A282	4	Snubber, Shock Mtg.		212B1105	8	Key 1, 4
5	526-14	4	Washer (29/64" I.D. x 1-1/2" O.D. x 1/8")		212B1105	7	Key 2, 5
6	526-198	8	Washer (5/8" I.D. x 1-1/2" O.D. x 1/16")		212A1106	4	Key 3
7	405B1265	2	Clamp, Holddown	17	BRUSH		
8	405B1577	1	Pan, Drip		214A50	4	Collector Ring (AC) Key 1, 4
9	FRAME, GENERATOR				214A50	3	Collector Ring (AC) Key 2, 5
	210C243	1	Key 1, 2		214A61	4	Commutator (DC) Key 1, 2
	210D389	1	Key 3		214A68	4	Commutator (DC) Key 3
	210D390	1	Key 4, 5		214A83	4	Commutator (DC) Key 4, 5
10	STUD, GENERATOR THROUGH			18	231B133	As Req.	Shim, Generator Adapter
	520A337	2	Key 1, 2	19	221A129	2	Shoe, Interpole - Key 3
	520A329	2	Key 3	20	222A530	1	Coil Assy., Interpole - Key 3
	520A502	2	Key 4, 5	21	ARMATURE ASSEMBLY (Incl. Brg.)		
11	SHOE, POLE				201-1402	1	Key 1
	221A86	4	Key 1, 2		201-1404	1	Key 2
	221B126	4	Key 3		201-1397	1	Key 3
	221A91	4	Key 4, 5		201-1406	1	Key 4
12	COIL SET, FIELD (4 Coils Wired Together)				201-1407	1	Key 5
	222-1638	1	Key 1, 2	22	BELL, END		
	222-1662	1	Key 3		211D98	1	Key 2, 5
	222-1666	1	Key 4, 5		211D97	1	Key 1, 3, 4
13	510A47	1	Bearing, Ball	23	232B1835	1	Hub, Gen. Drive
14	231D129	1	Adapter, Generator	24	232A596	1	Clip, Bearing Stop
15	RIG ASSY., BRUSH (Incl. Brushes & Sprgs.)			25	211C99	1	Cover, End Bell
	212C294	1	Key 1	26	BAND, END BELL		
					234C5	1	Key 1, 3, 5
					234C2	1	Key 2, 4



REF. NO.	PART NO.	QTY. USED	PART DESCRIPTIONS
27	CONDENSER		
312A17	1	Key 1, 2 (.5 Mfd.)	
312A17	2	Key 4 (.5 Mfd.)	
312A58	2	Key 2 (.1 Mfd.)	
312A58	3	Key 5 (.1 Mfd.)	
312A58	1	Key 1, 4 (.1 Mfd.)	

312A27	3	Key 3 (.5 Mfd.)
312A27	2	Key 5 (.5 Mfd.)
28	505-76	1 Nipple, Oil Drain (Eng.)
29	505-28	1 Coupling, Oil Drain (Eng.)
30	505-110	1 Plug, Oil Drain (Eng.)
31	403C778	1 Base, Mounting



CONTROL GROUP

REF. NO.	PART NO.	QTY. USED	PART DESCRIPTIONS
1	330-28	1	Box, Receptacle - Key 1, 2
2	330-42	1	Cover, Recept. Box - Key 1, 2
3	331-27	1	Connector, Recept. Box - Key 1, 2
4	160A144	2	Jumper, Recept. Grd. - Key 1, 2, 4, 5
5	RECEPTACLE, DUPLEX		
	323P184	2	Key 1, 4 (2 parallel Blades & Grounding pin)
	323P184	1	Key 2, 5 (2 parallel Blades & Grounding pin)
	323P213	1	Key 2, 5 (2 Tandem Blades & Grounding pin)
6	BRACKET, RECEPTACLE BOX MOUNTING		
	301C1277	1	Key 1
	301C2683	1	Key 2
7	301C2715	1	Box, Control - Key 3, 4, 5
8	COVER CONTROL BOX		
	301A2716	1	Key 3
	301B2717	1	Key 4, 5
9	301C2718	1	Bracket, Cont. Box Mtg. - Key 3, 4, 5
10	301C2713	1	Box, Rheostat - Key 3

REF. NO.	PART NO.	QTY. USED	PART DESCRIPTION
11	301B2291	1	Cover, Rheo. Box - Key 3
12	301B2719	1	Bracket, Rheo. Box Mtg. - Key 3
13	303-10	1	Rheostat, Key 3
14	303-47	1	Knob, Rheostat - Key 3
15	870-192	4	Grommet, plastic - Key 3, 4, 5
16	308A28	1	Switch, Start - Key 3, 4, 5
17	BLOCK, TERMINAL		
	332A747	1	Key 3
	332A231	1	Key 4, 5
18	332A571	1	Strip, Block Marker - Key 4, 5
19	AMMETER		
	302A64	1	Key 3
	302A61	1	Key 4, 5
20	363A22	1	Plate, Heat Sink - Key 3
21	363B21	1	Sink, Heat - Rectifier - Key 3, 4, 5
22	RECTIFIER		
	358A10	1	Key 3
	305P318	1	Key 4, 5
23	308-7	1	Switch, Hi-Lo Charge - Key 4, 5
24	304A45	1	Resistor, 4 Ohm, 50-watt - Key 4, 5