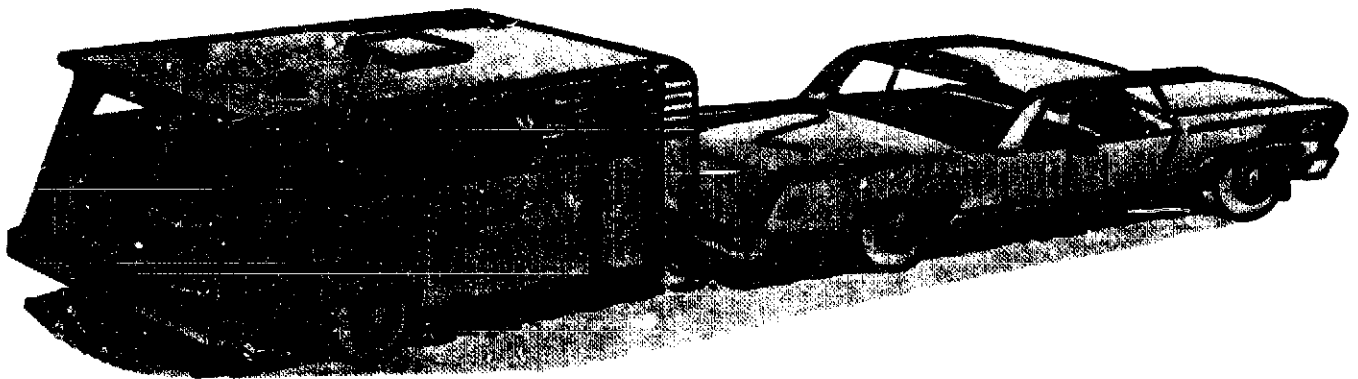


The following catalog has gaps in its page numbers, or doesn't have any numbers. We have chosen to leave the page numbering in the order that Acrobat assigns it.



OPERATOR'S MANUAL AND PARTS CATALOG



TL SERIES

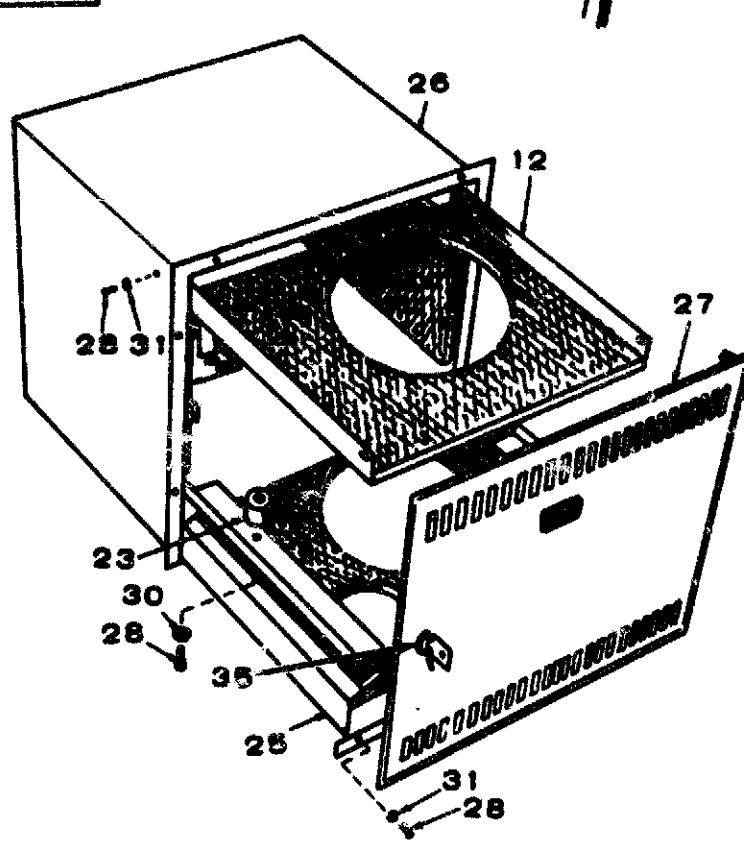
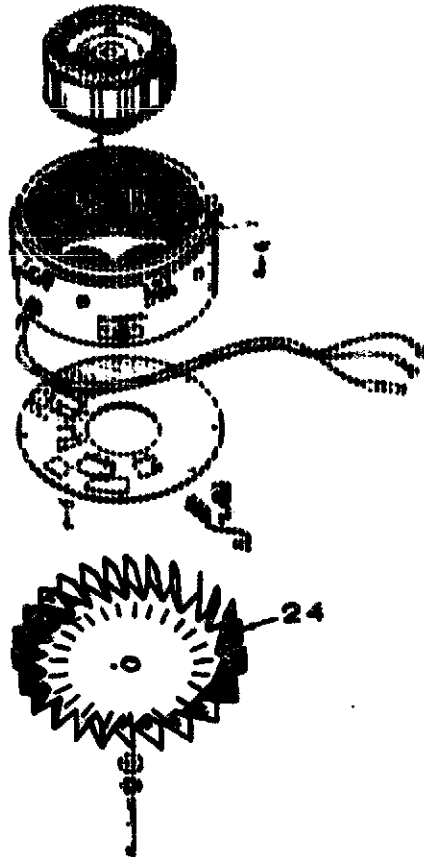
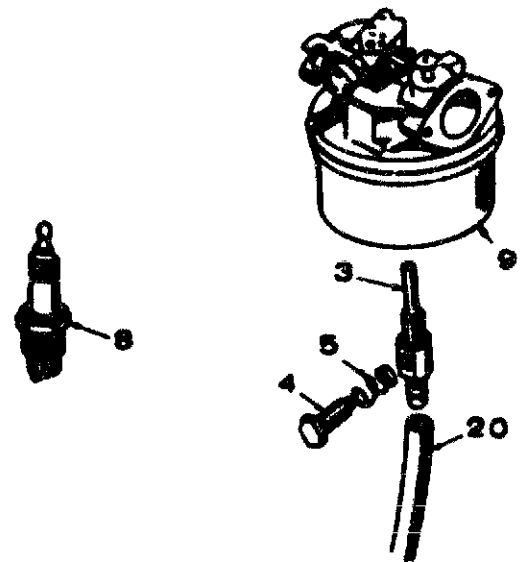
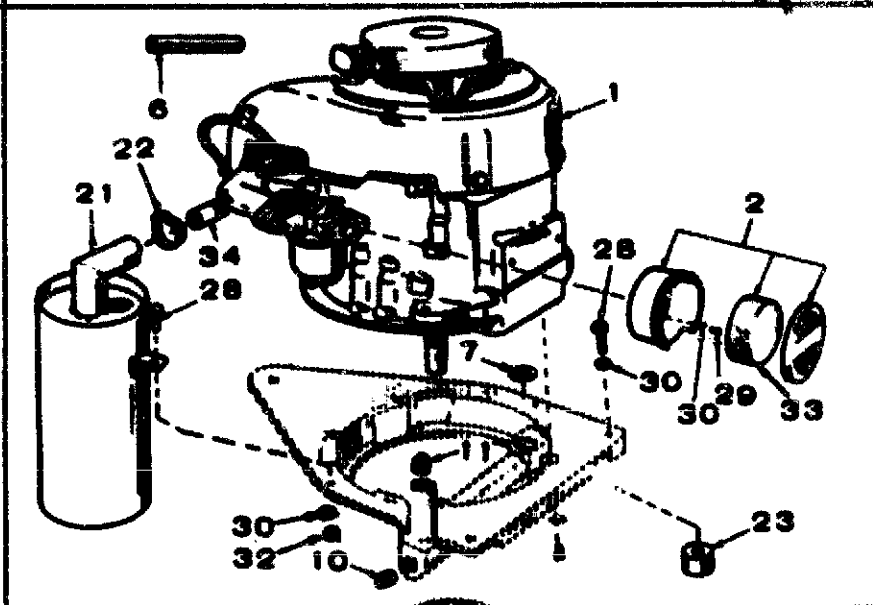
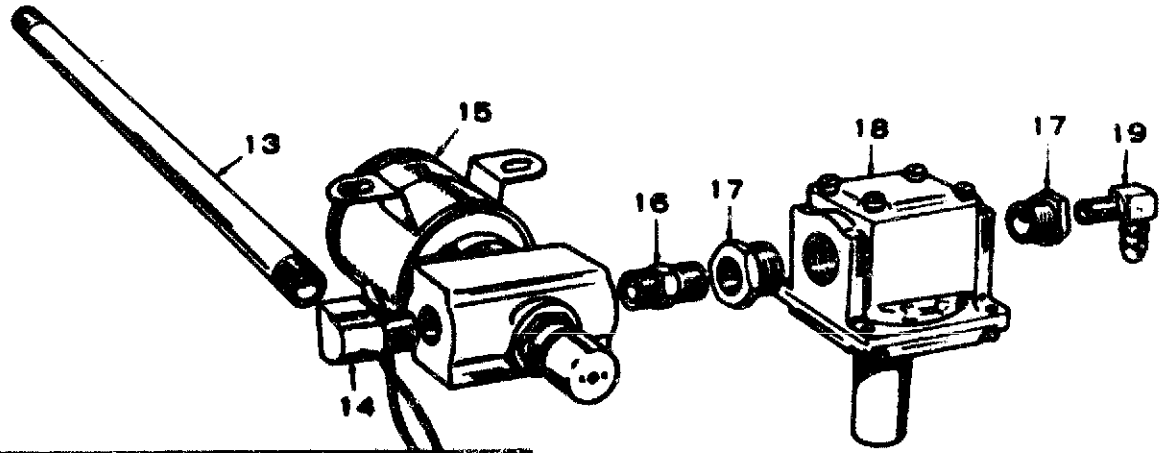
Engine Driven, 12-Volt Battery Charge
for
Recreational Vehicles



1400 73RD AVENUE N.E. • MINNEAPOLIS, MINNESOTA 55431
A DIVISION OF ONAN CORPORATION

Redistribution or publication of this document
by any means, is strictly prohibited.

ENGINE, FUEL SYSTEM AND HOUSING GROUP



REF. NO.	PART NO.	QTY. USED	PART DESCRIPTION
1	100A1103	1	*Engine, Complete - Includes Parts Marked Δ
2	140A1147	1	ΔCleaner, Air (Complete)
3	148A707	1	† ΔAdapter, Gas
4	148A708	1	† ΔScrew, Carburetor
5	146A117	1	† ΔSpring, Power Needle
6	503A318	1	Spacer, Starter Rope
	508A169	1	Washer, Neoprene - Oil Line Adapter
8	167-238	1	ΔPlug, Spark
9	146A167	1	Carburetor - Includes Parts Marked †
10	505-54	1	Plug, Pipe - Oil Drain
11	505-110	1	Plug, Pipe - Oil Fill
12	405C1932	1	Baffle, Air Inlet (Incl. Insulation)
13	505-753	1	Nipple, Pipe (1/8 x 1/2")
14	502-20	1	Elbow, Street - Fuel Solenoid Inlet
15	307P1147	1	Solenoid, Fuel
16	502-82	1	Nipple, Hex - Fuel Solenoid Regulator
17	505-16	2	Bushing, Reducer - Regulator Inlet & Outlet
18	148-712	1	Regulator, Gas
19	502-313	1	Elbow, Regulator Outlet
20	503-449	1	Hose, Fuel
21	155C1185	1	Muffler, Exhaust
22	505A183	1	Clamp, Muffler
23	402A78	3	Mount, Vibration
24	13402314	1	Wheel, Blower
25	405C1917	1	Base (Includes Insulation)
26	405D1902	1	Housing (Includes Insulation)

REF. NO.	PART NO.	QTY. USED	PART DESCRIPTIONS
27	DOOR (INCLUDES INSULATION AND LOCK)		
	405B1929	1	Standard (Painted)
	405B1939	1	Optional (Stainless Steel)
28	SCREW, HEX CAP		
	800-45	3	Base Mounting
	800-5	1	Muffler Mounting
	800-2	4	Housing to Base
	800-2	5	Baffle & Housing
	800-45	3	Vibration Damper Mounting (5/16-18 x 5/8")
29	815-367	2	ΔScrew, Round Head - Air Cleaner Mounting
30	WASHER, LOCK		
	850-45	3	Base Mounting
	850-30	2	ΔAir Cleaner Mounting
	850-40	1	Muffler Mounting
	850-45	6	Vibration Damper Mounting
31	WASHER, SHAKEPROOF		
	853-13	4	Housing to Base
	853-13	5	Baffle to Housing
32	862-1	1	Nut, Hex - Muffler Mounting
33	140A1187	1	Element, Air Cleaner
34	505-185	1	ΔNipple, Element
35	406-345	1	Lock, Door

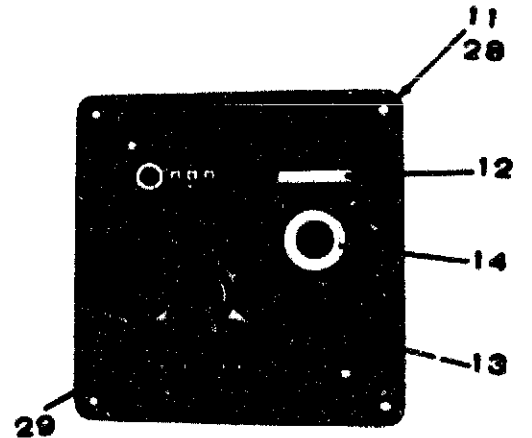
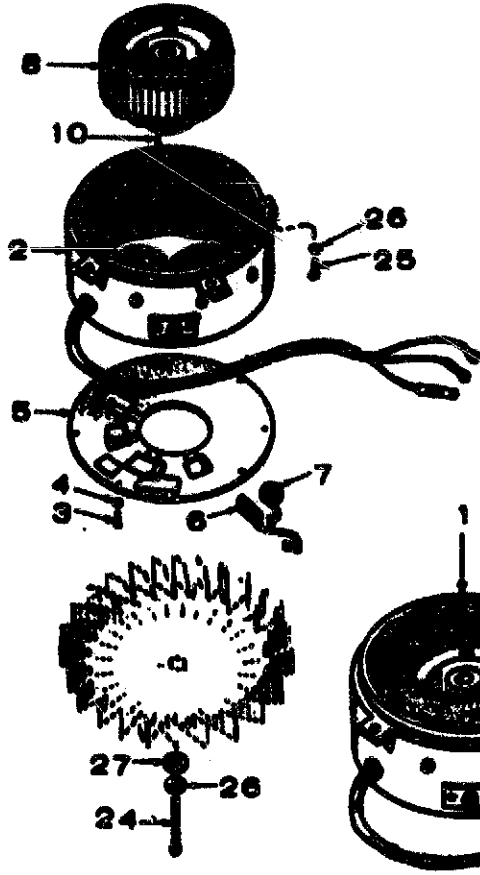
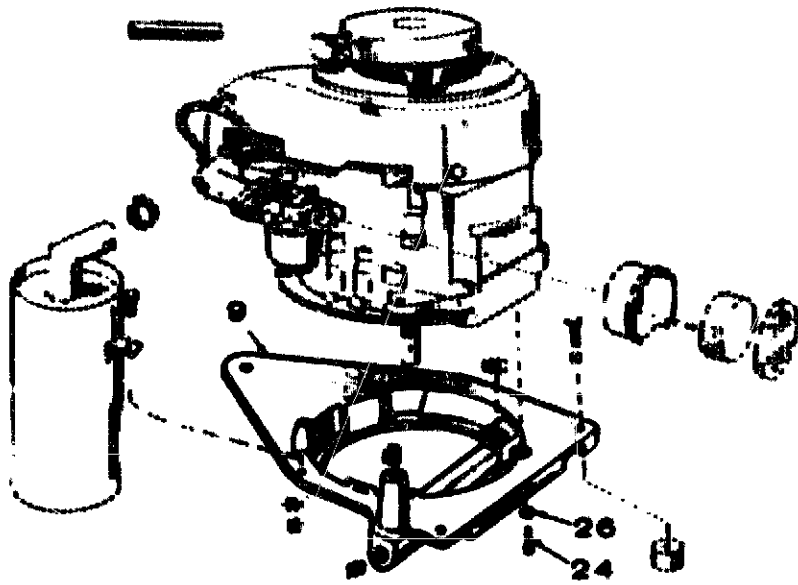
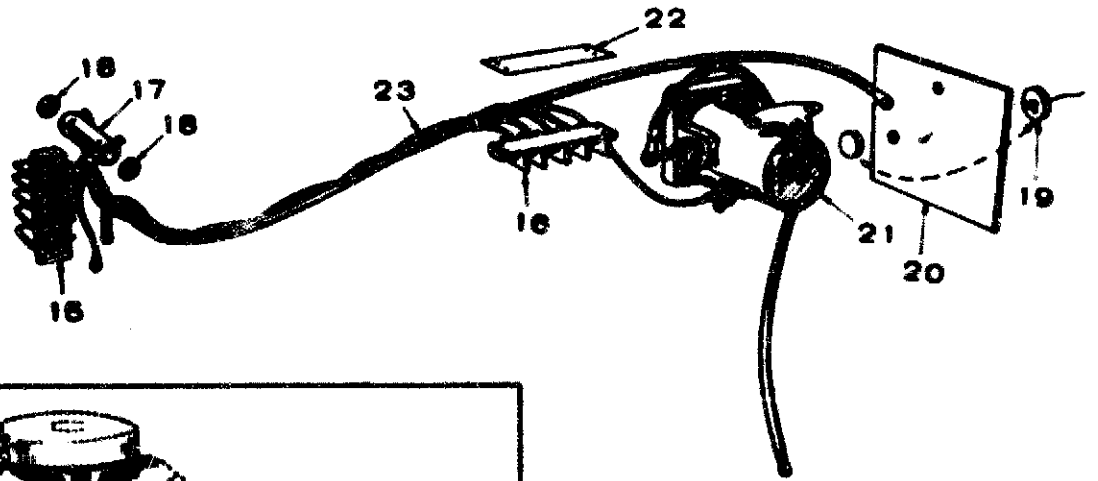
* For engine components not listed, contact your nearest Tecumseh Products dealer, giving complete Model and Serial Number.

Δ Parts included in 100A1103 engine.

† Parts included in 146A167 carburetor.

NOTE: Tecumseh Products Company has established a short block number 750270 and a crankshaft number 31878 for this engine, to be purchased from your nearest Tecumseh dealer.

GENERATOR AND CONTROL GROUP

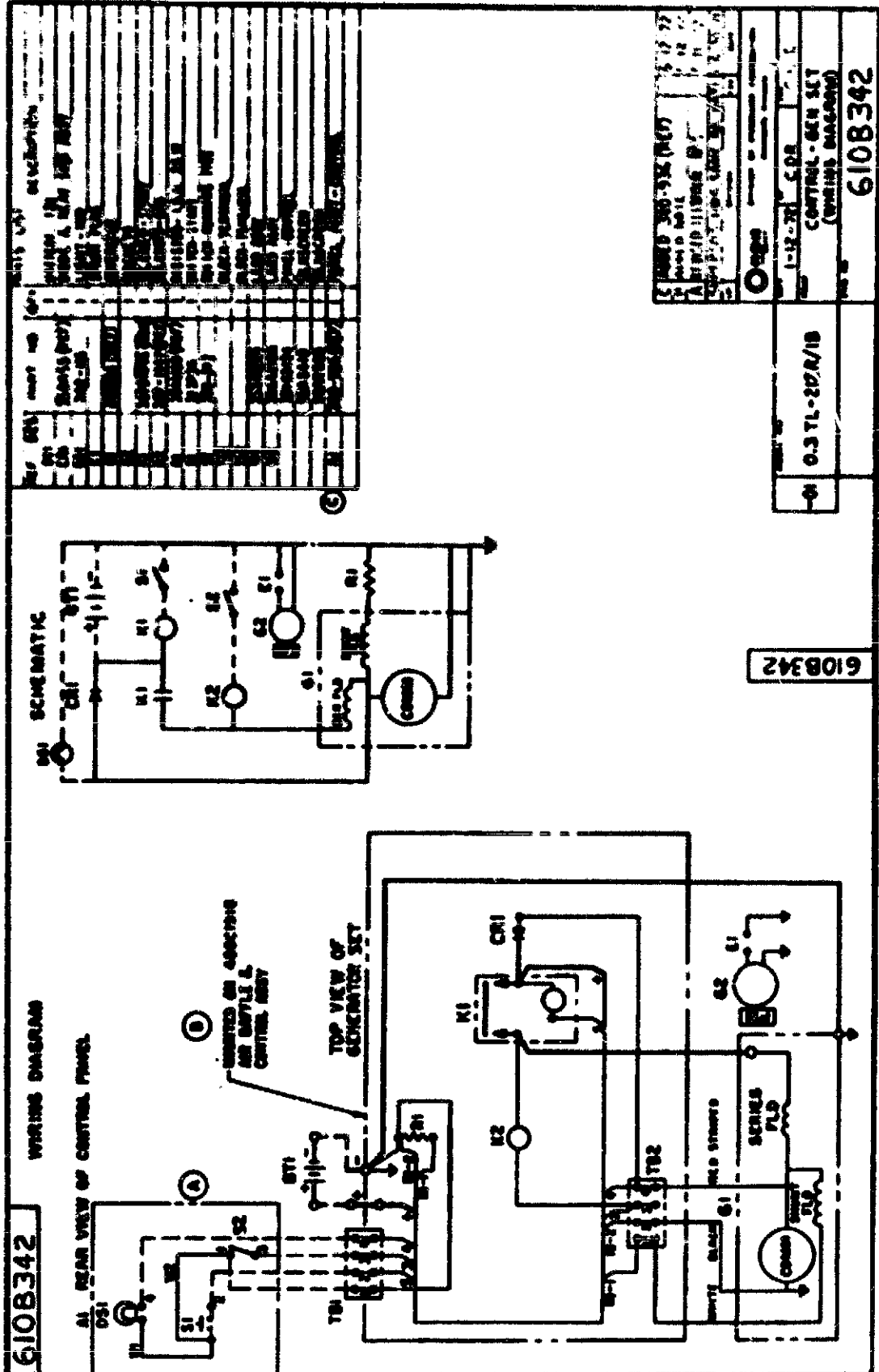


REF. NO.	PART NO.	QTY. USED	PART DESCRIPTION
1	249D14	1	Generator, Complete (Includes Parts Marked *)
2	249-15	1	*Frame Assembly (Includes Parts Marked ‡)
3	249-21	8	*1Screw, Pan Head
4	249-20	8	*1Washer, Lock
5	249-19	1	*1Plate Assembly, Yoke
6	249-17	4	*1Brush
7	249-18	4	*1Spring, Brush
8	249-16	1	*Armature Assembly
9	231E156	1	Adapter, Generator
10	516-185	1	Pin, Roll-Generator Drive
11	301A3887	1	**Panel, Control
12	322-116	1	**Light
13	308-312	1	**Switch, Running Time
14	313P34	1	**Switch, Start
15	332A537	1	†Black, Terminal (4 Place - Solder Terminals)
16	332A514	1	†Black, Terminal (4 Place - Screw Terminals)
17	304A168	1	†Resistor (1.5-Ohm, 25 Watt)
18	304A14	2	Washer, Resistor Centering

REF. NO.	PART NO.	QTY. USED	PART DESCRIPTIONS
19	358-25	1	Rectifier, Silicon
20	363-61	1	Sink, Heat
21	307B1046	1	Relay, Start Solenoid
22	332-1476	1	Strip, Marker
23	338D671	1	Harness, Wiring (Includes Parts Marked †)
24	SCREW, HEX CAP 800-31	3	Generator Adapter to Engine
	800-59	1	Generator, Through
25	812-125	5	Screw, Round Head - Generator to Adapter
26	WASHER, LOCK 850-45	3	Generator Adapter to Engine
	850-35	5	Generator to Adapter
	850-50	1	Generator Through Screw
27	526A240	1	Washer, Flat - Generator Through Screw
28	300-936	1	Control Assembly - Includes Parts Marked **
29	KNOB, RUNNING TIME SWITCH 308P335	1	Black
	308P336	1	Ivory

- * Included in Complete Generator Number 249D14.
- ** Included in Control Assembly 300-936.
- ‡ Included in Frame Assembly Number 249-15.
- † Included in Wiring Harness Number 338D671.

WIRING DIAGRAM



SPECIAL PARTS LIST FOR **MODEL** 0.3TL-212R **SPEC** 1B
 FOR STANDARD PARTS REFER TO **CATALOG** 919-0303 **KEY NO.** -
 (PARTS CATALOG ALSO CONTAINS COMPONENTS FOR MAJOR OPTIONAL FEATURES LISTED BELOW)
WIRING DIAGRAM NO. (AC)610-0349-01

PART NO.	QTY.	DESCRIPTION	PART NO.	QTY.	DESCRIPTION
321-0196	1	Holder Assembly, Fuse (Includes Fuse)			
321-0195	1	Fuse, 3 Amp			

SPECIAL PARTS LIST FOR MODEL 0.3TL-212R SPEC 11810B
 FOR STANDARD PARTS REFER TO CATALOG 919-0303 KEY NO. -
 (PARTS CATALOG ALSO CONTAINS COMPONENTS FOR MAJOR OPTIONAL FEATURES LISTED BELOW)
 WIRING DIAGRAM NO. (AC)610-0349-01

PART NO.	QTY.	DESCRIPTION	PART NO.	QTY.	DESCRIPTION
Manufactured For: Airstream					
321-0196	1	Holder Assembly, Fuse (Includes Fuse)			
321-0195	1	Fuse, 3 Amp			