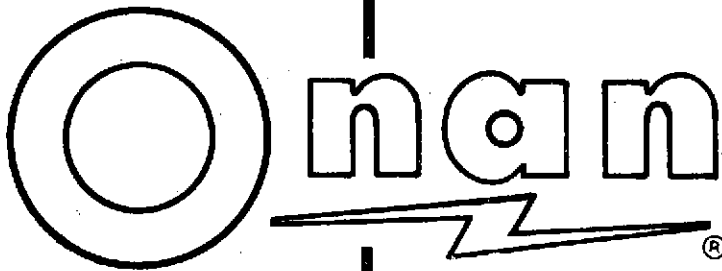
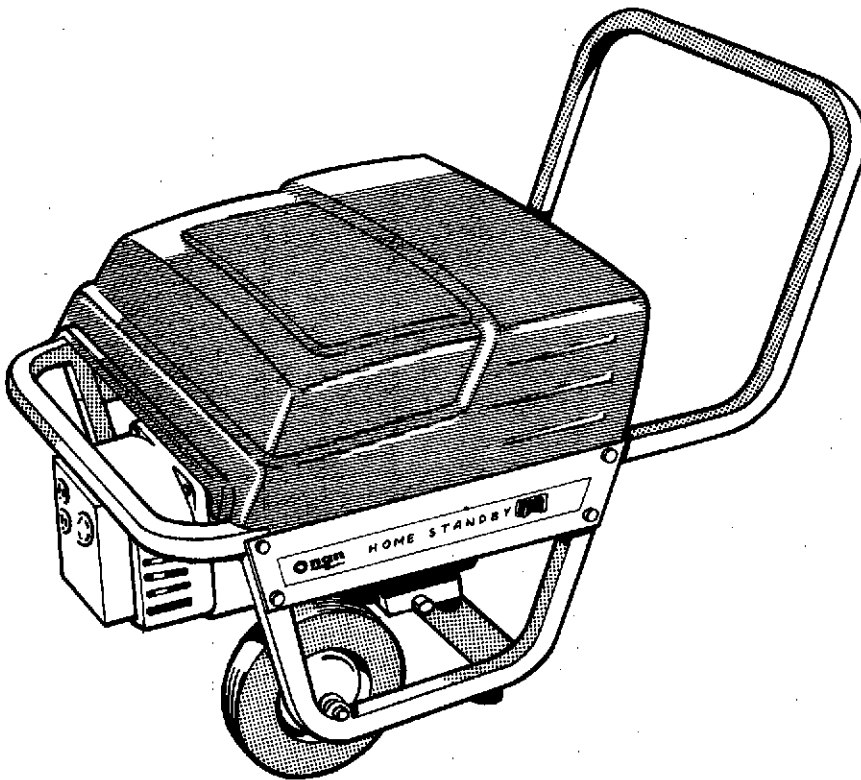


The following catalog has gaps in its page numbers, or doesn't have any numbers. We have chosen to leave the page numbering in the order that Acrobat assigns it.



**OPERATOR'S MANUAL
AND
PARTS CATALOG**

FOR
PE, PF, PG, AND PH
SERIES HOME STANDBY
ELECTRIC GENERATING SETS



FORM NUMBER
919-0360



ISSUE DATE
1A76

Redistribution or publication of this document
by any means, is strictly prohibited.

SAFETY PRECAUTIONS

The following symbols in this manual signal potentially dangerous conditions to the operator or equipment. Read this manual carefully. Know when these conditions can exist. Then, take necessary steps to protect personnel as well as equipment.

WARNING Onan uses this symbol throughout this manual to warn of possible serious personal injury.

CAUTION This symbol refers to possible equipment damage.

Here are some general precautions of potential hazards that could result in serious, personal injury. Take care in following recommended procedures.

- **Use Extreme Caution Near Gasoline, Gaseous Fuel and Diesel Fuel. A constant potential of explosive or fire hazard exists.**

Do not fill tank near unit with engine running. Do not smoke or use open flame near the unit or the fuel tank.

Have a fire extinguisher nearby. Be sure extinguisher is properly maintained and be familiar with its proper use. Extinguishers rated ABC by the NFPA are appropriate for all applications. Consult the local fire department for the correct type of extinguisher for various applications.

- **Guard Against Electric Shock**

Disconnect all power and remove starting battery cables (if so equipped) before attempting any maintenance or service.

DO NOT TOUCH electrical equipment while on damp or well-grounded surfaces. Use rubber insulative mats placed on dry wood platforms when working around electrical equipment. Do not wear damp clothing (particularly wet shoes) or allow skin surfaces to be damp when handling electrical equipment.

Jewelry is a good electrical conductor and should be removed when working on electrical equipment.

Use extreme caution when working on electrical components. High voltages cause injury or death.

Follow all state and local codes during installation, operation and service. Have all electrical installations and service performed by a qualified electrician or authorized service representative.

- **Do Not Smoke While Servicing Batteries**

Lead acid batteries emit a highly-explosive hydrogen gas which can be ignited by electrical arcing, flame, smoking, etc.

- **Keep the Unit Clean.**

Remove all oil deposits from the compartment base and the unit. Accumulated grease and oil on the unit can cause overheating (and subsequent engine damage) and may present a potential fire hazard. Dispose of oily rags.

- **Protect Against Moving Parts of Unit**

Avoid moving parts of the unit. Do not wear loose jackets, shirts or sleeves due to danger of becoming caught in moving parts.

Make sure all nuts and bolts on the unit are secure. Tighten all supports and clamps periodically.

If you must make adjustments while the unit is running, use extreme caution when close to hot manifold, moving parts, etc.

Do not work on this equipment while mentally or physically fatigued.

PARTS CATALOG


INSTRUCTIONS FOR ORDERING REPAIR PARTS

For parts or service, contact the dealer from whom you purchased this equipment or refer to your Nearest Authorized Onan Parts and Service Center.

To avoid errors or delay in filling your parts order, please furnish all information requested.

Always refer to the nameplate on your unit:

1. Always give the MODEL and SPEC NO. and SERIAL NO.

	
ELECTRIC GEN SET	
MODEL AND SPEC NO	
[]	
SERIAL NO []	
IMPORTANT - ALWAYS GIVE ABOVE NOS. WHEN ORDERING PARTS	
AC VOLTS []	PH []
KVA []	KW []
PF []	AMPS [] Hz []
DC VOLTS []	AMPS []
WATTS []	
RPM []	BAL []
MANUFACTURED BY ONAN DIVISION OF ONAN CORPORATION MINNEAPOLIS MINNESOTA U S A FOR ELECT. EQUIPMENT ONLY	

For handy reference, insert "YOUR" nameplate information in the spaces above.

2. Do not order by reference number or group number; always use part number and description.
3. Give the part number, description and quantity needed of each item. If an older part cannot be identified, return the part prepaid to your dealer or nearest AUTHORIZED SERVICE STATION. Print your name and address plainly on the package. Write a letter to the same address stating the reason for returning the part.
4. State definite shipping instructions. Any claim for loss or damage to your unit in transit should be filed promptly against the transportation company making the delivery. Shipments are complete unless the packing list indicates items are back ordered.

Prices are purposely omitted from this Parts Catalog due to the confusion resulting from fluctuating costs, import duties, sales taxes, exchange rates, etc.

For current parts prices, consult your Onan Dealer, Distributor or Parts and Service Center.

"En esta lista de partes los precios se omiten de proposito, ya que bastante confusion resulto de fluctuaciones de los precios, derechos aduanales, impuestos de venta, cambios extranjeros, etc."

Consiga los precios vigentes de su distribuidor de productos "ONAN".

This catalog applies to the Home Standby Generator Sets listed below. Parts are arranged in groups of related items. Each illustrated part is identified by a reference number corresponding to the same reference number in the parts list for that group. Parts illustrations are typical. Using the *MODEL* and *SPEC NO.* from the nameplate, select the *Parts Key No.* (1, 2, etc., in the last column) that applies to your set *Model* and *Spec No.* This *Parts Key No.* represents parts that differ between models. Unless otherwise mentioned in the description, parts are interchangeable between models. Right and left sides are determined by facing the blower end (front) of the engine.

SET DATA TABLE

MODEL AND SPECIFICATION NO.	WATT	VOLT	HERTZ	PARTS KEY
2.0PE-3P/*	2000	120/240	60	1
3.0PF-3P/*	3000	120/240	60	2
4.5PG-3P/*	4500	120/240	60	3
5.5PH-3P/*	5500	120/240	60	4

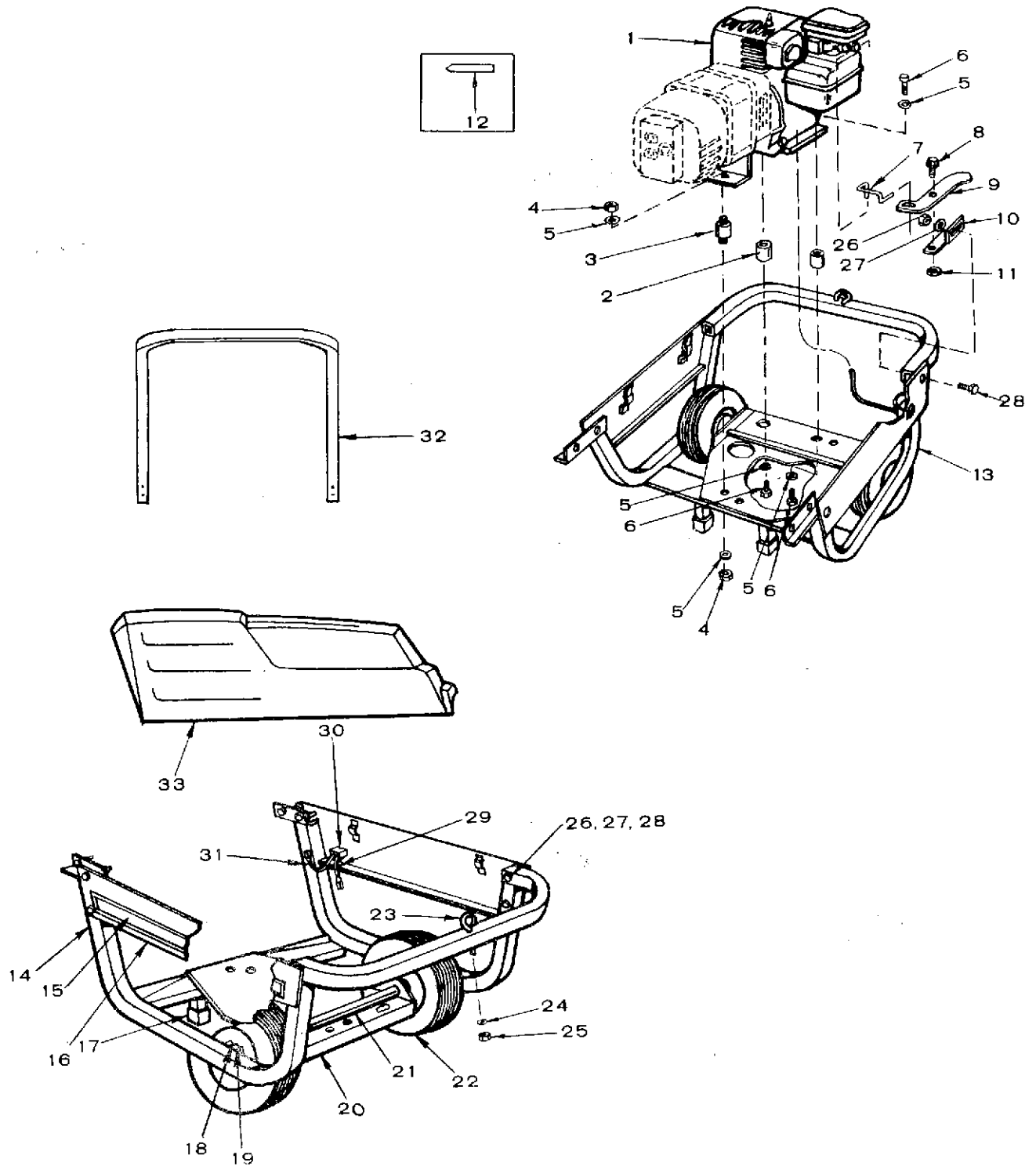
* - The Specification Letter Advances (A to B, B to C, etc.) with manufacturing changes.

NOTICE!

ITEMS REFERENCED AS **OPTIONAL** INDICATE PART IS FACTORY INSTALLED AND MAY NOT BE APPLICABLE TO ALL MODELS. FOR FIELD CONVERSIONS ADDITIONAL PARTS ARE USUALLY REQUIRED.

ENGINE AND DOLLY GROUP — KEY 1 AND 2

NOTE: See separate group for Key 3 and 4.



ENGINE AND DOLLY GROUP — KEY 1 AND 2

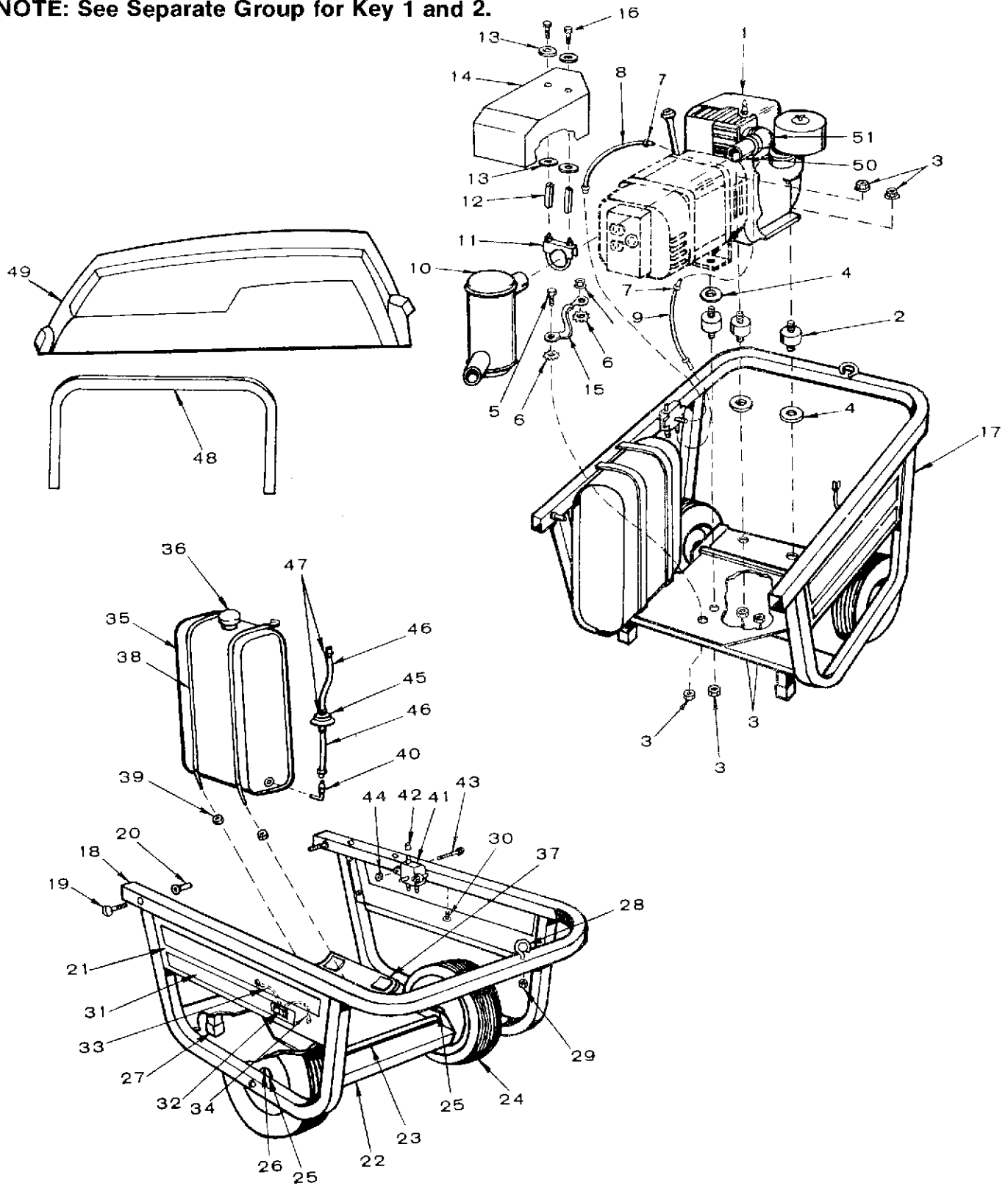
NOTE: See separate group for Key 3 and 4.

REF. NO.	PART NO.	QTY. USED	PART DESCRIPTION	REF. NO.	PART NO.	QTY. USED	PART DESCRIPTION
1	ENGINE, GASOLINE (Refer to manufacturer for components)			15	98-2835	2	*Decal (Home Standby)
	100-1340	1	Key 1 (Briggs & Stratton Model 130232)	16	405-2234	2	*Panel, Side (Includes Decal)
	100-1341	1	Key 2 (Briggs & Stratton Model 190432)	17	410-0654	2	*Cap, Rubber
2	402-0078	2	Dampener, Vibration - Engine End	18	516-0156	1	*Pin, Roll
3	402-0433	1	Dampener, Vibration - Generator End	19	526-1194	4	*Washer, Flat
4	862-0015	2	Nut, Hex (5/16-18)	20	403-1184	1	*Plate, Generator Set Mounting
5	850-0045	6	Washer, Lock (5/16)	21	410-0660	1	*Axle, Dolly
6	800-0026	4	Screw, Hex Head Cap (5/16-18 x 3/4")	22	410-0618	2	*Wheel
7	153-0472	1	Link, Choke Extension - Key 1	23	403-1189	1	*Bolt, Eye - Starter Rope
8	800-0003	1	Screw, Hex Head Cap (1/4-20 x 1/2") - Key 1	24	850-0050	1	*Washer, Lock (3/8)
9	153-0474	1	Lever, Choke - Key 1	25	862-0003	1	*Nut, Hex (3/8-16)
10	153-0473	1	Bracket, Choke - Key 1	26	862-0001	10	*Nut, Hex (1/4-20)
11	870-0065	1	Nut, Locking (1/4-20) - Key 1	27	850-0040	10	*Washer, Lock (1/4)
12	153-0471	1	Extension, Choke Lever - Key 2	28	800-0009	10	*Screw, Hex Head Cap (1/4-20 x 1-1/2")
13	410-0690	1	Dolly Assembly (Includes Parts Marked *)	29	336-3002	1	*Lead
14	410-0647	1	*Frame, Dolly	30	308-0375	1	*Switch, Stop
				31	336-2341	1	*Lead
				32	410-0648	1	*Handle, Dolly
				33	410-0645	1	Cover
				34	155-1374	1	Shield, Muffler Heat - Key 2

* - Included in 410-0690 Dolly Assembly.

ENGINE AND DOLLY GROUP — KEY 3 AND 4

NOTE: See Separate Group for Key 1 and 2.



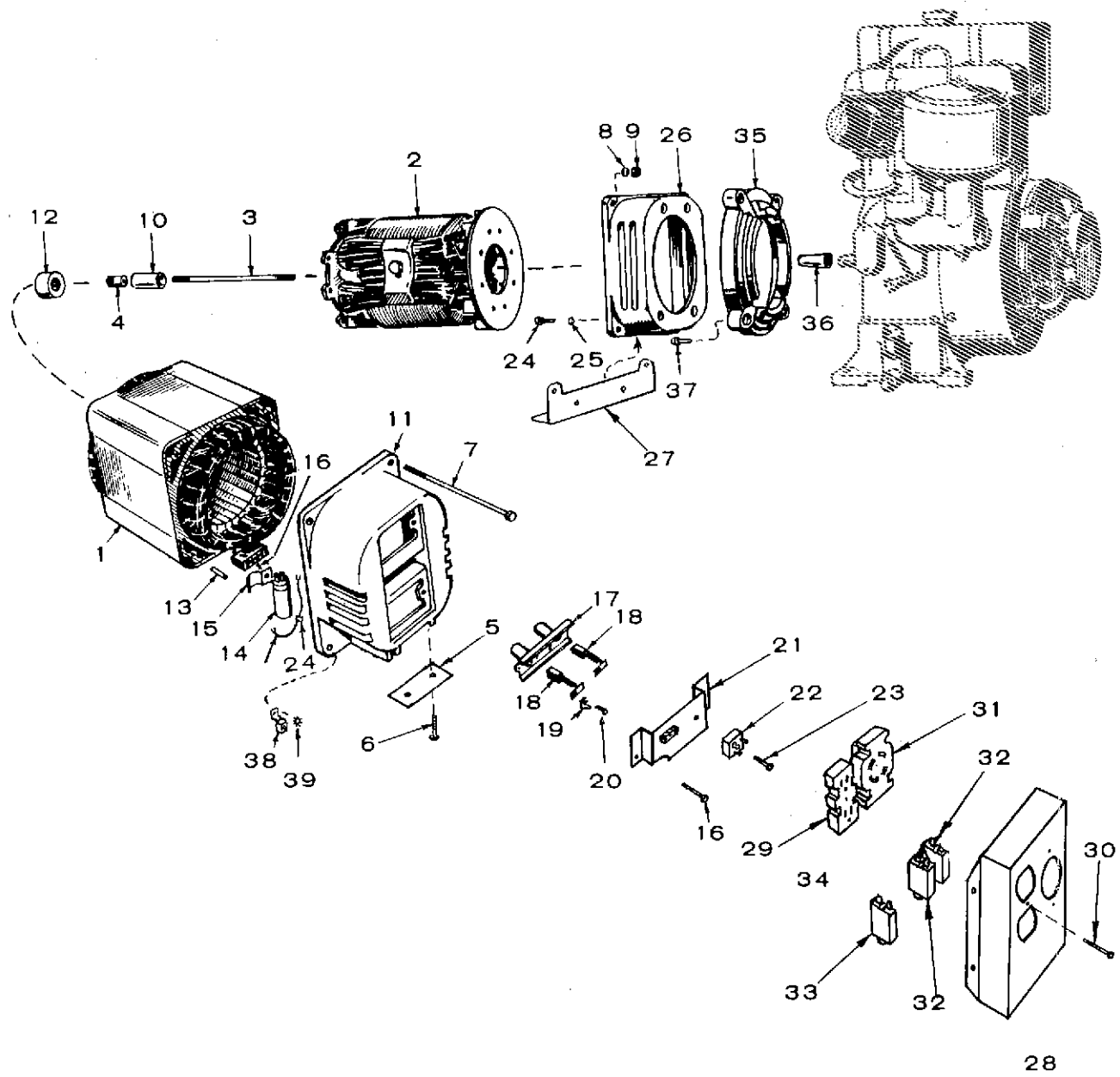
ENGINE AND DOLLY GROUP — KEY 3 AND 4

NOTE: See Separate Group for Key 1 and 2.

REF. NO.	PART NO.	QTY. USED	PART DESCRIPTION	REF. NO.	PART NO.	QTY. USED	PART DESCRIPTION
1	ENGINE, GASOLINE (Refer to Manufacturer for components)			30	815-0376	10	*Screw, Machine - Pan Head, + Recessed (#10-32 x 1/2")
	100-1375	1	Key 3	31	98-2835	2	*Decal (Home Standby)
	100-1377	1	Key 4	32	308-0375	1	*Switch, Ignition
2	402-0432	3	Dampener, Vibration	33	336-3002	1	*Lead, Ignition (Stop)
3	870-0281	7	Nut, Machine - Self Locking (3/8-16)	34	336-2341	1	*Lead, Ignition
4	526-0149	3	Washer, Flat (13/32" I.D. x 1-7/8" O.D. x 1/8" Thick)	35	159-0590	1	*Tank, Fuel
5	800-0048	1	Screw, Cap - Hex Head (3/8-16 x 3/4")	36	159-0007	1	*Cap, Fuel Tank
6	856-0010	2	Washer, Lock - EIT (3/8")	37	159-0893	4	*Insulation, Fuel Tank Mounting
7	518-0349	4	Clamp, Fuel Line	38	159-0674	2	*Band, Fuel Tank
8	503-0750	1	Hose, Impulse	39	870-0212	2	*Nut, Hex - Self Locking (1/4-20)
9	503-0656	1	Hose, Fuel	40	502-0313	1	*Elbow, Fuel Tank Outlet
10	155-1375	1	Muffler, Exhaust	41	149-1416	1	*Pump Assembly Fuel (Vacuum) NOTE: See separate group for components.
11	155-1257	1	Clamp, Muffler	42	517-0090	1	*Cap, Pump Inlet
12	870-0308	2	Nut, Stand-Off - Muffler Baffle Mounting	43	813-0111	2	*Screw, Machine - Round Head (#10-32 x 2-1/4")
13	526-0113	4	Washer, Flat (11/32" I.D. x 1" O.D. x 3/32" Thick)	44	870-0131	2	*Nut, Hex w/ET (#10-32)
14	155-1376	1	Baffle, Muffler	45	149-1415	1	*Filter, Fuel
15	337-0111	1	Strap, Ground	46	503-0751	2	*Hose, Fuel
16	800-0026	2	Screw, Cap - Hex Head (5/16-18 x 3/4")	47	518-0349	4	*Clamp, Fuel Hose
17	410-0691	1	Dolly Assembly (Includes Parts Marked *)	48	410-0650	1	*Handle, Dolly
18	410-0649	1	*Frame, Dolly	49	410-0646	1	Cover
19	812-0156	2	*Screw, Machine - Round Head (1/4-20 x 1-1/2")	50	505-0086	2	Nipple, Pipe - Exhaust (1 x 2-1/2")
20	870-0258	2	*Nut and Stud (1/4-20 x 1-1/2")	51	505-0041	1	Elbow, Pipe - Exhaust (1" x 90°)
21	405-2235	2	*Panel, Side (Includes Decal)	52	153-0351	1	Choke Assembly
22	410-0659	1	*Plate, Generator Set Mounting				
23	410-0662	1	*Axle, Dolly				
24	410-0620	2	*Wheel				
25	526-0175	4	*Washer, Flat (41/64" I.D. x 29/32" O.D. x 1/16" Thick)				
26	516-0156	1	*Pin, Poll				
27	410-0654	2	*Cap, Rubber				
28	403-1189	1	*Bracket, Starter Rope				
29	870-0257	1	*Nut, Hex - Self Locking (5/16-18)				

* - Included in 410-0691 Dolly Assembly.

GENERATOR PARTS GROUP

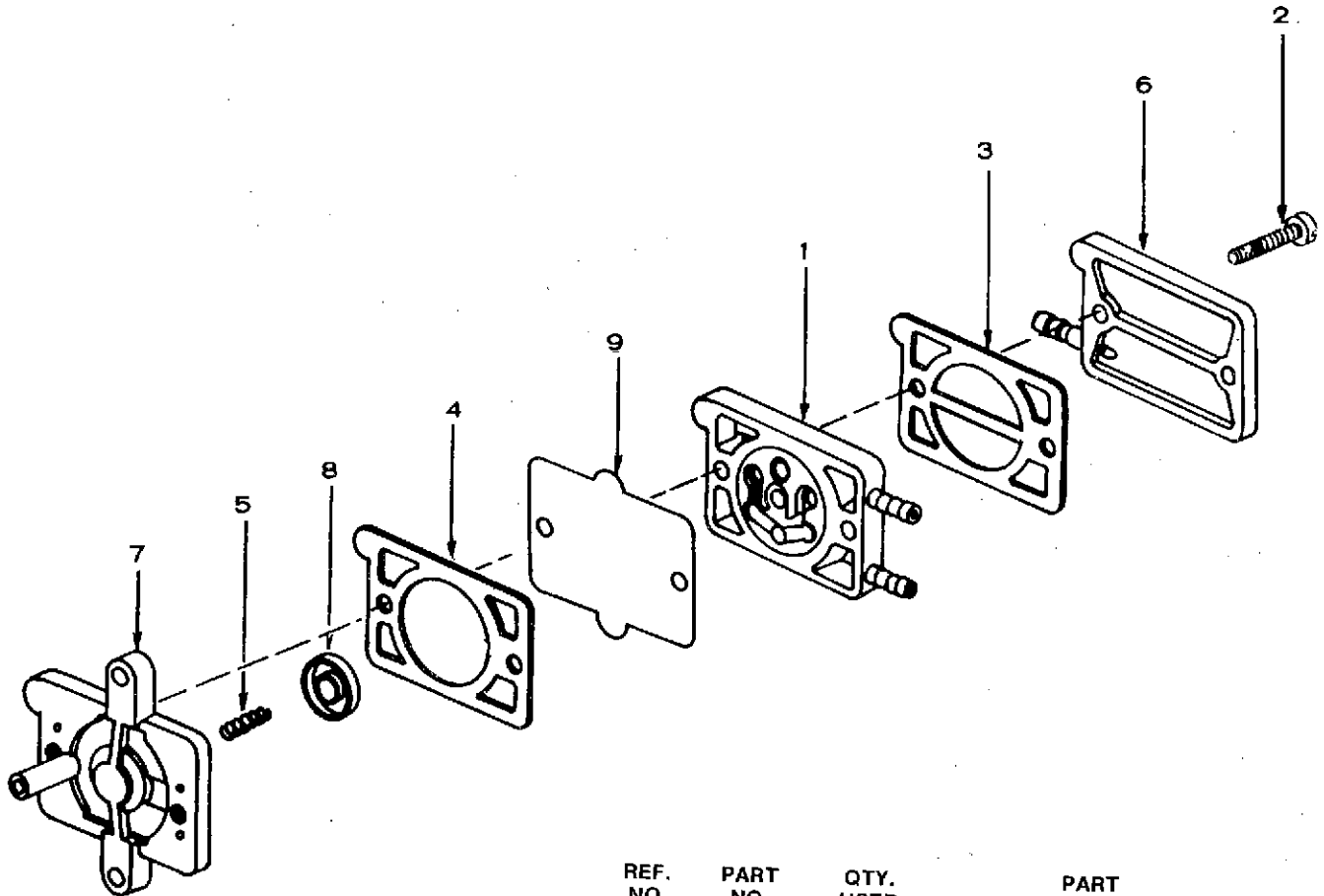


GENERATOR PARTS GROUP

REF. NO.	PART NO.	QTY. USED	PART DESCRIPTION
1	STATOR ASSEMBLY		
	220-2473	1	Key 1
	220-2474	1	Key 2
	220-2475	1	Key 3
	220-2476	1	Key 4
2	ROTOR ASSEMBLY		
	201-2021	1	Key 1
	201-2022	1	Key 2
	201-2023	1	Key 3
	201-2024	1	Key 4
3	STUD, ROTOR THROUGH		
	520-0807	1	Key 1
	520-0806	1	Key 2
	520-0825	1	Key 3
	520-0826	1	Key 4
4	870-0271	1	Nut, Internal Wrenching (5/16-18)
5	234-0526	1	Cover, Protective
6	815-0340	2	Screw, Hex Head (#10-32 x 5/8")
7	SCREW, HEX HEAD CAP		
	800-0021	4	Key 1 (1/4-20 x 4-1/2")
	800-0187	4	Key 2 (1/4-20 x 5-1/2")
	800-0188	4	Key 3 (1/4-20 x 6-1/2")
	800-0189	4	Key 4 (1/4-20 x 8")
8	850-0040	4	Washer, Lock (1/4")
9	862-0001	4	Nut, Hex (1/4-20)
10	202-0674	1	Sleeve, Shaft
11	211-0238	1	Bell, End
12	510-0107	1	Bearing, Roller
13	516-0182	8	Pin, Locating
14	356-0056	1	Capacitor
15	312-0194	1	Bracket, Capacitor Mounting
16	815-0395	3	Screw, Tapping - Pan Head (#6 x 3/8)
17	212-1249	1	Guide, Generator Brush
18	214-0099	2	Brush, Generator
19	332-1564	1	Terminal Lug

REF. NO.	PART NO.	QTY. USED	PART DESCRIPTION
20	815-0388	2	Screw, Machine - Pan Head (#6-32 x 1/2")
21	232-2697	1	Bracket and Terminal Assembly
22	305-0548	1	Rectifier, Bridge
23	815-0198	1	Screw, Machine - Round Head (#8-32 x 5/8")
24	SCREW, HEX HEAD CAP		
	801-0026	4	Key 1, 2 (5/16-24 x 3/4")
	800-0049	4	Key 3, 4 (3/8-16 x 7/8")
25	WASHER, LOCK - IT		
	854-0017	4	Key 1, 2 (5/16")
	854-0021	4	Key 3, 4 (3/8")
26	ADAPTER, ENGINE TO GENERATOR		
	231-0193	1	Key 1, 2
	231-0195	1	Key 3, 4
27	BRACKET, GENERATOR MOUNTING		
	403-1038	1	Key 1
	403-1039	1	Key 2,3,4
28	301-3824	1	Box, Receptacle
29	323-0383	1	Receptacle, Duplex (15 Amp, 125 Volt)
30	812-0061	3	Screw, Machine - Round Head (#6-32 x 3/8")
31	323-0856	1	Receptacle (20 Amp, 120/240 Volt)
32	320-0541	2	Breaker, Circuit (20 Amp)
33	320-0540	1	Breaker, Circuit (15 Amp)
34	323-0869	1	Strap, Receptacle Ground
35	231-0173	1	Adapter, Engine - Key 3, 4
36	202-0699	1	Adapter, Generator Shaft - Key 3, 4
37	814-0226	4	Screw, Machine - Flat Head (7/16-14 x 1-1/2") - Key 3, 4
38	332-0142	1	Terminal, Ground
39	856-0006	1	Washer, Lock - EIT (1/4")

FUEL PUMP PARTS GROUP — KEY 3 AND 4



REF. NO.	PART NO.	QTY. USED	PART DESCRIPTION
	149-1416	1	Pump Assembly, Complete
1	142-0537	1	Valve Plate Assembly
2	142-0540	2	Screw, Pump Cover
3	149-1323	1	Gasket, Cover to Valve Plate
4	142-0541	1	Gasket, Base to Diaphragm
5	142-0545	1	Spring, Pump Diaphragm
6	149-1326	1	Cover, Pump
7	149-1324	1	Base, Pump
8	142-0552	1	Plate, Pump Spring
9	142-0555	1	Diaphragm, Pump

SPECIAL PARTS LIST FOR **MODEL** 2.0PE-3P **SPEC** 8800A
 FOR STANDARD PARTS REFER TO **CATALOG** 919-0360 **KEY NO.** 1
 (PARTS CATALOG ALSO CONTAINS COMPONENTS FOR MAJOR OPTIONAL FEATURES LISTED BELOW)
WIRING DIAGRAM NO. (AC)601-0209

PART NO.	QTY.	DESCRIPTION	PART NO.	QTY.	DESCRIPTION
Standard Model					
403-1121	1	Bracket, Generator Mounting			

SPECIAL PARTS LIST FOR MODEL 2.5PF-53BP SPEC 3800A
 FOR STANDARD PARTS REFER TO CATALOG 919-0360 KEY NO. 2
 (PARTS CATALOG ALSO CONTAINS COMPONENTS FOR MAJOR OPTIONAL FEATURES LISTED BELOW)

WIRING DIAGRAM NO. (AC)601-0209

PART NO.	QTY.	DESCRIPTION	PART NO.	QTY.	DESCRIPTION
220-2564	1	Stator, Wound			
201-2022	1	Rotor, Wound			
231-0195	1	Adapter, Engine To Generator			
403-1247	1	Bracket, Generator Mounting			
155-1398	1	Bracket, Heat Shield Mounting			

SPECIAL PARTS LIST FOR MODEL 3.0PF-3P SPEC 8800A
 FOR STANDARD PARTS REFER TO CATALOG 919-0360 KEY NO. 2
 (PARTS CATALOG ALSO CONTAINS COMPONENTS FOR MAJOR OPTIONAL FEATURES LISTED BELOW)
 WIRING DIAGRAM NO. (AC)601-0209

PART NO.	QTY.	DESCRIPTION	PART NO.	QTY.	DESCRIPTION
Standard Model					
231-0195	1	Adapter, Engine To Generator			
403-1247	1	Bracket, Generator Mounting			
155-1398	1	Bracket, Heat Shield Mounting			

SPECIAL PARTS LIST FOR MODEL 3.7PG-53BP SPEC 8800A
 FOR STANDARD PARTS REFER TO CATALOG 919-0360 KEY NO. 3
 (PARTS CATALOG ALSO CONTAINS COMPONENTS FOR MAJOR OPTIONAL FEATURES LISTED BELOW)
 WIRING DIAGRAM NO. (AC)601-0209

PART NO.	QTY.	DESCRIPTION	PART NO.	QTY.	DESCRIPTION
220-2565	1	Stator, Wound			
201-2023	1	Rotor, Wound			
403-1245	1	Bracket, Generator Mounting			
320-0542	1	Breaker, Circuit (25 Amp)			
323-0943	1	Receptacle (30 Amp, 125/250 Volt)			
503-0754	1	Hose, Impulse			
503-0687	1	Hose, Fuel			
154-1814	2	Spacer, Heat Shield Mounting			

SPECIAL PARTS LIST FOR MODEL 4.5PG-3P SPEC 8800A
 FOR STANDARD PARTS REFER TO CATALOG 919-0360 KEY NO. 3
 (PARTS CATALOG ALSO CONTAINS COMPONENTS FOR MAJOR OPTIONAL FEATURES LISTED BELOW)

WIRING DIAGRAM NO. (AC) 601-0209

PART NO.	QTY.	DESCRIPTION	PART NO.	QTY.	DESCRIPTION
Standard Model					
123-1325	1	Tube, Oil Fill			
123-1326	1	Nipple, Oil Fill Tube			
403-1245	1	Bracket, Generator Mounting			
320-0542	1	Breaker, Circuit (25 Amp)			
323-0943	1	Receptacle (30 Amp, 125/250 Volt)			
503-0754	1	Hose, Impulse			
503-0687	1	Hose, Fuel			
154-1814	2	Spacer, Heat Shield Mounting			

SPECIAL PARTS LIST FOR MODEL 4.5PH-53BP SPEC 8800A
 FOR STANDARD PARTS REFER TO CATALOG 919-0360 KEY NO. 4
 (PARTS CATALOG ALSO CONTAINS COMPONENTS FOR MAJOR OPTIONAL FEATURES LISTED BELOW)

WIRING DIAGRAM NO. (AC)601-0209

PART NO.	QTY.	DESCRIPTION	PART NO.	QTY.	DESCRIPTION
220-2566	1	Stator, Wound			
201-2024	1	Rotor, Wound			
320-0543	2	Breaker, Circuit (30 Amp)			
323-0943	1	Receptacle (30 Amp, 125/250 Volt)			
320-0540	2	Breaker, Circuit (15 Amp)			
403-1245	1	Bracket, Generator Mounting			
503-0754	1	Hose, Impulse			
503-0687	1	Hose, Fuel			
154-1814	2	Spacer, Heat Shield Mounting			
155-1409	1	Shield, Heat - Muffler			
155-1408	1	Cover, Heat Shield			

SPECIAL PARTS LIST FOR MODEL 5.5PH-3E SPEC 8800A
 FOR STANDARD PARTS REFER TO CATALOG 919-0360 KEY NO. 4
 (PARTS CATALOG ALSO CONTAINS COMPONENTS FOR MAJOR OPTIONAL FEATURES LISTED BELOW)

WIRING DIAGRAM NO. (AC) 601-0210

PART NO.	QTY.	DESCRIPTION	PART NO.	QTY.	DESCRIPTION
100-1378	1	Engine, Gasoline (Refer To Manufacturer For Components)			
313-0032	1	Switch, Start			
403-1245	1	Bracket, Generator Mounting			
320-0543	2	Breaker, Circuit (30 Amp)			
323-0943	1	Receptacle (30 Amp, 125/250 Volt)			
320-0540	2	Breaker, Circuit (15 Amp)			
503-0754	1	Hose, Impulse			
503-0687	1	Hose, Fuel			
154-1814	2	Spacer, Heat Shield Mounting			
155-1409	1	Shield, Heat - Muffler			
155-1408	1	Cover, Heat Shield			
405-2216	1	Panel, Side - Dolly Frame			
405-2217	1	Bracket, Switch - Starter			
416-0661	1	Strap, Battery Hold-Down			
416-0671	1	Bracket, Battery			
402-0325	1	Foot, Rubber - Battery Bracket			
508-0094	1	Grommet, Rubber - Battery Bracket (11/16" Hole)			

SPECIAL PARTS LIST FOR MODEL 5.5PH-3P SPEC 8800A
 FOR STANDARD PARTS REFER TO CATALOG 919-0360 KEY NO. 4
 (PARTS CATALOG ALSO CONTAINS COMPONENTS FOR MAJOR OPTIONAL FEATURES LISTED BELOW)

WIRING DIAGRAM NO. (AC)601-0209

PART NO.	QTY.	DESCRIPTION	PART NO.	QTY.	DESCRIPTION
Standard Model					
320-0543	2	Breaker, Circuit (30 Amp)			
323-0943	1	Receptacle (30 Amp, 125/250 Volt)			
320-0540	2	Breaker, Circuit (15 Amp)			
403-1245	1	Bracket, Generator Mounting			
503-0754	1	Hose, Impulse			
503-0687	1	Hose, Fuel			
154-1814	2	Spacer, Heat Shield Mounting			
155-1409	1	Shield, Heat - Muffler			
155-1408	1	Cover, Heat Shield			