

The following catalog has gaps in its page numbers, or doesn't have any numbers. We have chosen to leave the page numbering in the order that Acrobat assigns it.

923-0300 (3-80)
DADB PARTS CATALOG

INTRODUCTION

This catalog applies to the standard Alternators listed below. Parts are arranged in groups of related items. Each illustrated part is identified by a reference number corresponding to the same reference number in the parts list for that group. Parts illustrations are typical. Using the *Model* and *Spec No.* from the nameplate, select the *Parts Key No.* 1, 2, etc., in the last column) that applies to your set *Model* and *Spec No.* This *Parts Key No.* represents parts that differ between models. Unless otherwise mentioned in the description, parts are interchangeable between models. Right and left sides are determined by *facing* the blower end (front) of the set.

GENERATOR SET DATA TABLE

| MODEL AND SPEC | ELECTRICAL DATA | | | | PARTS KEY NO. |
|----------------|-----------------|---------|-------|-------|---------------|
| | WATTS | VOLTS | HERTZ | PHASE | |
| 4.0 DADB-3P/* | 4000 | 120/240 | 60 | 1 | 1 |
| °4.0 DADB-3E/* | 4000 | 120/240 | 60 | 1 | 2 |

- * - The Specification Letter advances (A to B, B to C, etc.) with manufacturing changes.
- ° - These Generator Sets are electric starting.

PARTS CATALOG INDEX DADB

| FICHE LOCATION | GROUP |
|-----------------|--------------------------|
| A1 | GENERATOR SET DATA TABLE |
| A1 | STANDARD PARTS SECTION |
| A6 | CARRYING HANDLE |
| A7 | CONTROL (AC-OUTPUT) |
| A6 | CONTROL (ENGINE) |
| A5 | END BELL |
| A3,A4 | GENERATOR SET |
| A8 | OPTIONAL PARTS SECTION |
| A9 | DOLLY |
| A9 | RECEPTACLE PLUG |

STANDARD PARTS SECTION

This section contains the illustrated parts listing for the standard generator sets listed in the Data Table.



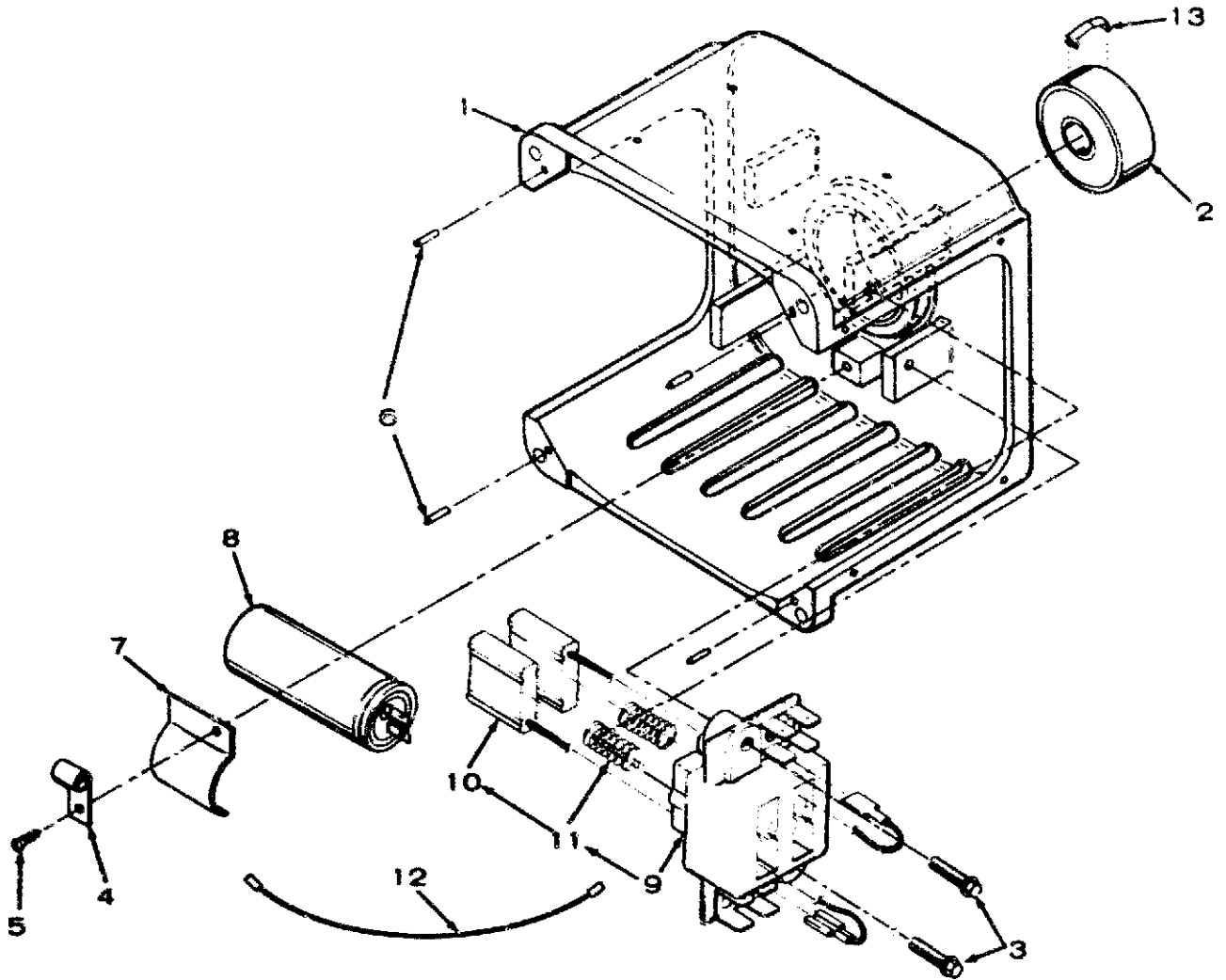
GENERATOR SET

| REF. NO. | PART NO. | QTY. USED | PART DESCRIPTION | REF. NO. | PART NO. | QTY. USED | PART DESCRIPTION |
|----------|---|-----------|---|----------|--|-----------|--|
| 1 | 100-1714 | 1 | *Engine, Replacement - Petter ACI MKV551 | 45 | CONTROL ASSEMBLY - AC (See Separate Group for Components) | | |
| 2 | 403-1587 | 2 | Channel, Mounting | | 300-2042 | 1 | Key 1 |
| 3 | 815-0500 | 2 | Screw, Cap - Hex Head W/ET (5/16-18 x 3/4") | | 300-2020 | 1 | Key 2 |
| 4 | 870-0348 | 2 | Nut, Hex W/ET (5/16-18) | 46 | 815-0498 | 4 | Screw, Cap - Tapping Hex Head W/Cone Washer (#8-32 x 3/8") |
| 5 | 862-0003 | 4 | Nut, Hex (3/8-16) | 47 | 416-0734 | 1 | Cable, Battery (14") - Key 2 |
| 6 | 800-0051 | 4 | Screw, Cap - Hex Head (3/8-16 x 1-1/4") | 48 | 416-0735 | 1 | Cable, Battery (38") - Key 2 |
| 7 | 403-1609 | 1 | Bracket, Generator Mounting | 50 | 402-0290 | 4 | Bushing, Sleeve |
| 8 | 856-0010 | 1 | Washer, Lock - EIT (3/8) | 51 | 402-0410 | 4 | Cap, Dampener Retaining |
| 9 | 815-0391 | 1 | Screw, Tapping - Slotted Hex Head (#10-32 x 1/2") | 52 | 402-0282 | 4 | Snubber, Rubber |
| 10 | 153-0514 | 1 | Clamp, Choke Cable | 53 | 526-0198 | 8 | Washer, Flat (5/8" ID x 1-1/2" OD x 1/16") |
| 11 | 815-0351 | 1 | Screw, Cap - Hex Head Brass (#8-32 x 3/8") | 54 | 526-0014 | 4 | Washer, Flat (29/64" ID x 1-1/2" OD x 1/8") |
| 12 | 152-0230 | 1 | Swivel, Cable Holding | 55 | 850-0055 | 4 | Washer, Lock - Spring (7/16) |
| 13 | 516-0059 | 1 | Cotter, Hairpin | 56 | 862-0004 | 4 | Nut, Hex (7/16-14) |
| 14 | 821-0018 | 1 | Screw, Cap - HWH (1/4-20 x 5/8") | 57 | 816-0206 | 4 | Screw, Cap - Hex Head (7/16-14 x 3-1/2") |
| 15 | 152-0233 | 1 | Bracket, Throttle Cable Mounting | 58 | 526-0286 | 4 | Washer, Flat (1-1/8" ID x 1-3/4" OD x 3/16") |
| 16 | 402-0284 | 4 | Dampener, Vibration | 61 | 416-0338 | 1 | Frame, Battery Hold-down - Key 2 |
| 17 | 403-1635 | 1 | Frame, Carrying | 62 | 526-0113 | 3 | Washer, Flat (11/32" ID x 1" OD x 3/32") |
| 21 | 870-0212 | 1 | Nut, HWH (1/4-20) | 63 | 800-0192 | 2 | Screw, Cap - Hex Head (1/4-20 x 8-1/2") - Key 2 |
| 22 | WASHER, LOCK - SPRING (3/8) | | | 64 | 850-0040 | 2 | Washer, Lock - Spring (1/4) - Key 2 |
| | 850-0050 | 6 | Key 1 | 70 | 98-4063 | 1 | Label, Service Instructions |
| | 850-0050 | 12 | Key 2 | 71 | 856-0003 | 1 | Washer, Lock - EIT (#10) |
| 24 | 332-2325 | 1 | Clamp, Throttle Cable | 72 | 337-0097 | 1 | Strap, Ground |
| 25 | | 1 | Control, Engine (See Separate Group for Components) | 73 | 332-2178 | 1 | Lug, Single - Terminal |
| 26 | SCREW, CAP - HEX HEAD (3/8-16 x 1-1/2") | | | 74 | 815-0378 | 2 | Screw, Tapping - Hex Head W/ET (#14 x 1/2") |
| | 800-0052 | 2 | Key 1 | 80 | | 1 | Plate, Model Identification |
| | 800-0052 | 8 | Key 2 | 81 | 98-4023 | 1 | Label, Receptacle Panel |
| 28 | 850-0045 | 1 | Washer, Lock - Spring (5/16) | 82 | 98-3575 | 1 | Label, Caution |
| 29 | 800-0030 | 1 | Screw, Cap - Hex Head (5/16-18 x 1-1/4") | 83 | 508-0051 | 1 | Grommet, Rubber (2" Hole) |
| 30 | 231-0227 | 1 | Adapter (Includes Dowel Pins) | 90 | 403-1641 | 1 | Bracket, Lifting |
| 31 | 815-0494 | 4 | Screw, Cap - Hex Head W/ET (3/8-16 x 7/8") | 91 | 104-1155 | 1 | Shaft, Stub - Engine to Generator |
| 32 | 201-2910 | 1 | Rotor (Includes Bearing) | 92 | 801-0517 | 4 | Screw, Cap - Hex Head (5/16-24 x 1-3/4") |
| 33 | 520-3916 | 1 | Stud, Rotor Through | 94 | 231-0247 | 1 | Adapter, Engine to Generator |
| 34 | 870-0271 | 1 | Nut, Internal Wrenching | 100 | 191-1304 | 1 | & Starter, Complete (Lucas #M35J 25219A/H) |
| 35 | 220-3108 | 1 | Stator | | | | |
| 36 | 211-0328 | 1 | Belit Assembly, End (See Separate Group for Components) | | | | |
| 37 | 234-0637 | 1 | Cover, Brush Block | | | | |
| 38 | 815-0395 | 4 | Screw, Tapping - HWH (#6 x 3/8") | | | | |
| 39 | 800-0189 | 4 | Screw, Cap - Hex Head (1/4-20 x 8") | | | | |
| 40 | 870-0232 | 4 | Nut - Hex W/ET (1/4-20) | | | | |
| 43 | 301-5359 | 1 | Wrapper, Receptacle Panel | | | | |
| 44 | 821-0009 | 4 | Screw, Cap - HWH (1/4-20 x 3/8") | | | | |

* - For component parts, contact your nearest Petter dealer.

& - For component parts, contact your nearest Lucas dealer
or Lucas Ind. Inc. Automotive Equipment Division
5500 New King Street, Troy, Michigan 48098.

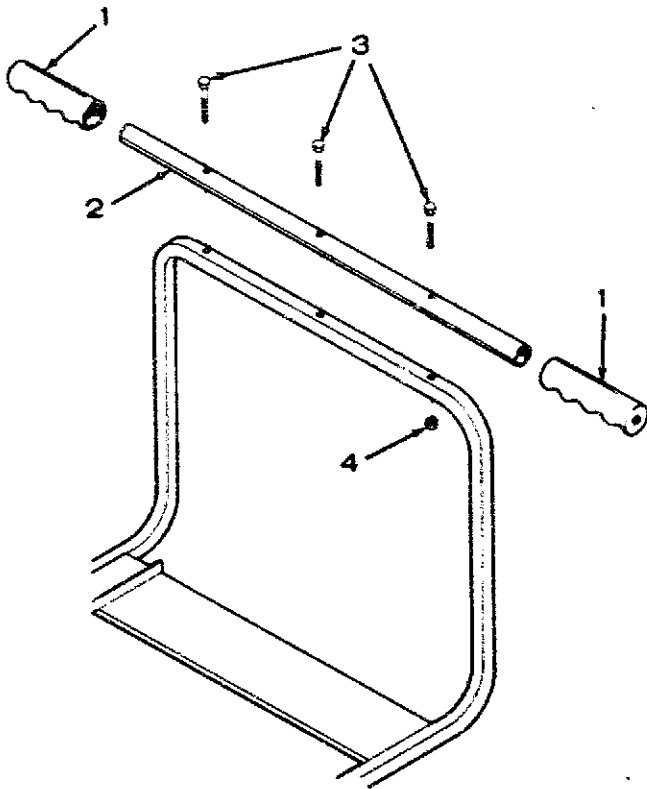
END BELL



| REF. NO. | PART NO. | QTY. USED | PART DESCRIPTION |
|----------|-----------------|-----------|---|
| | 211-0328 | 1 | Bell Assembly, Complete |
| 1 | 211-0324 | 1 | Bell Only, End |
| 2 | 510-0047 | 1 | Bearing, Rotor |
| 3 | 815-0359 | 2 | Screw, Tapping - HWH (#10-32 x 7/8") |
| 4 | 332-1876 | 1 | Clamp, Wire Retaining |
| 5 | 815-0518 | 1 | Screw, Tapping - HWH (#6-32 x 5/8") |
| 6 | 516-0196 | 4 | Pin, Locking - End Bell |
| 7 | 312-0194 | 1 | Bracket, Capacitor Mounting |
| 8 | 358-0056 | 1 | Capacitor |
| 9 | 212-1271 | 1 | Block, Collector Ring Brush (Includes Parts Marked *) |
| 10 | 214-0096 | 2 | *Brush, Collector Ring |
| 11 | 212-1232 | 2 | *Spring, Brush |
| 12 | LEAD (#16 Wire) | | |
| | 336-5252 | 1 | 18" Long |
| | 336-5251 | 1 | 5" Long |
| | 336-5249 | 1 | 17" Long |
| | 336-5248 | 1 | 4" Long |
| | 336-5250 | 1 | 3" Long |
| 13 | 232-0596 | 1 | Clip, Generator Bearing Stop |

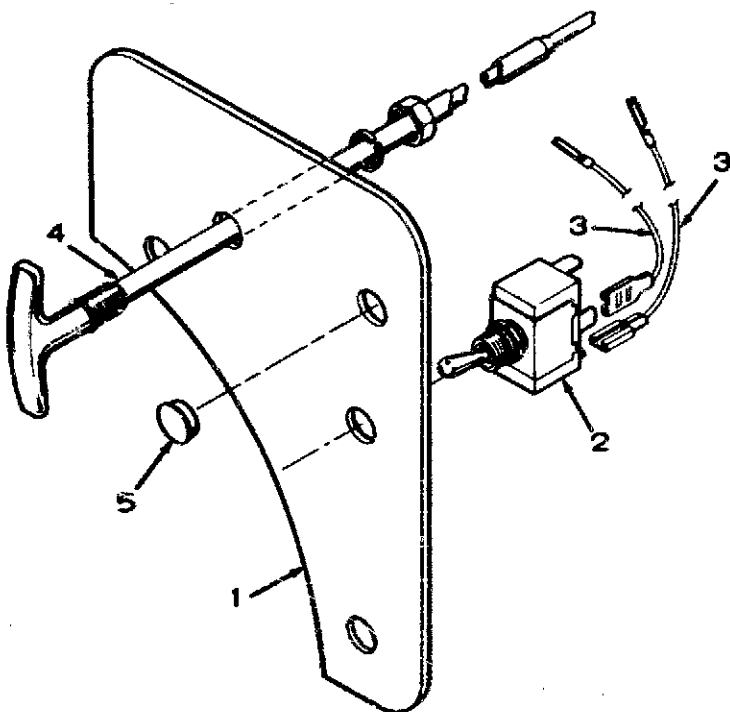
* - Parts Included in 212-1271 Brush Block.

CARRYING HANDLE



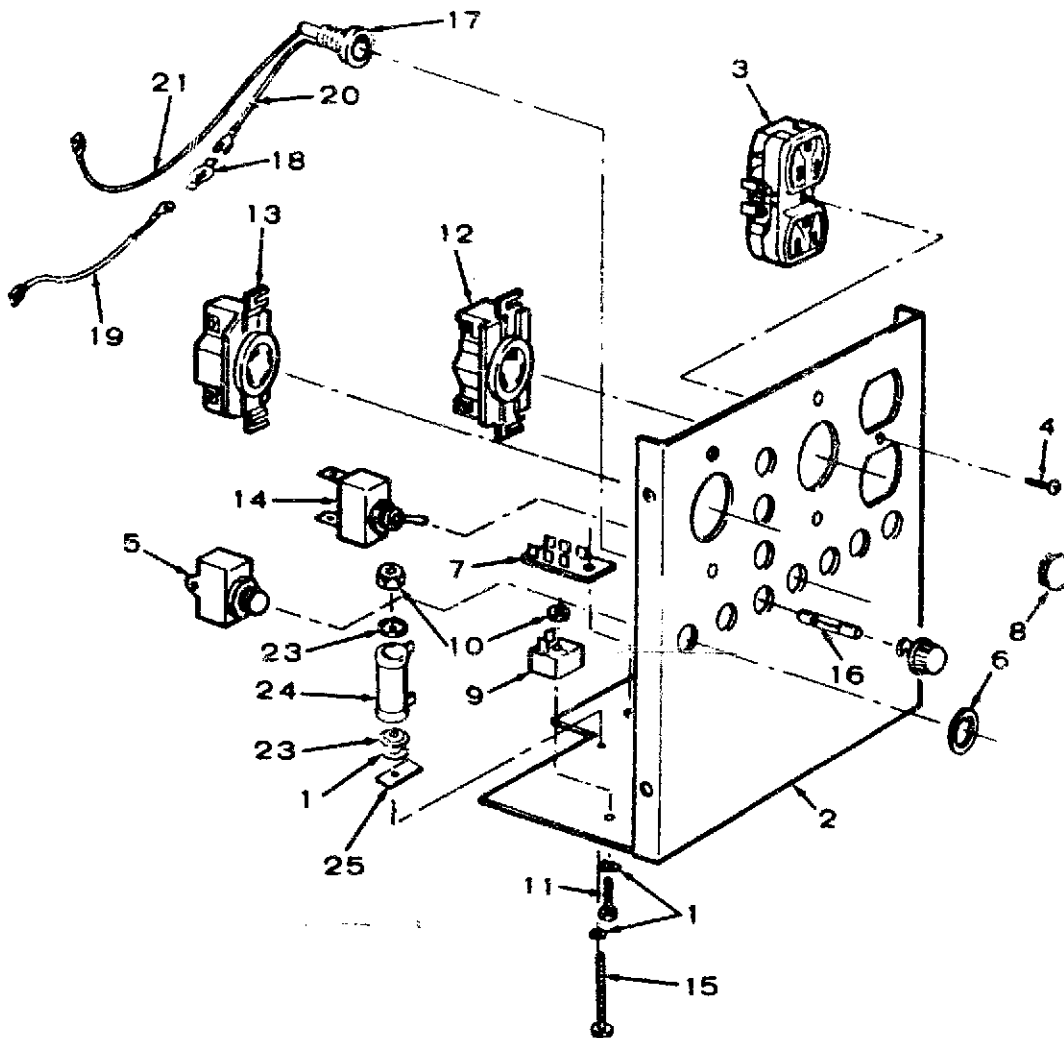
| REF. NO. | PART NO. | QTY. USED | PART DESCRIPTION |
|----------|----------|-----------|--|
| 1 | 403-1477 | 4 | Grip, Handle |
| 2 | 403-1588 | 2 | Tube, Handle |
| 3 | 814-0185 | 6 | Screw, Machine - Flat Head Slotted (5/16-18 x 2-1/4") |
| 4 | 870-0348 | 6 | Nut, Hex - W/ET (5/16-18) |

ENGINE CONTROL



| REF. NO. | PART NO. | QTY. USED | PART DESCRIPTION |
|----------|-------------|-----------|-----------------------------|
| 1 | 152-0234 | 1 | Bracket, Engine Control |
| 2 | 308-0345 | 1 | Switch, Start - Key 2 |
| 3 | 336-5475 | 2 | Lead (14"-#16 Wire) - Key 2 |
| 4 | 153-0527 | 1 | Control, Engine Fuel On/Off |
| 5 | FLUG, NYLON | | |
| | 517-0131 | 1 | 3/8" Hole |
| | 517-0133 | 1 | 7/16" Hole - Key 1 |

CONTROL (AC OUTPUT)

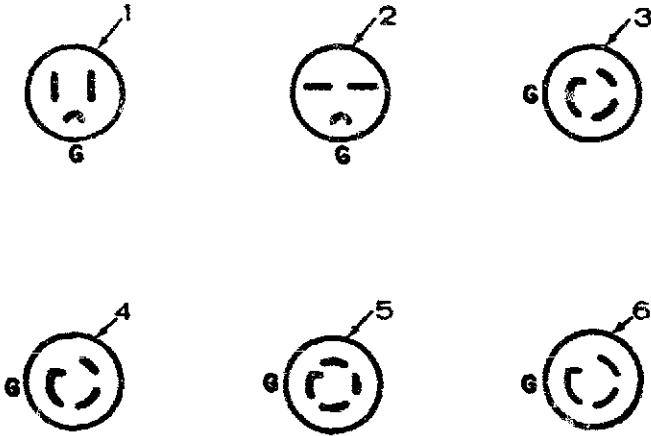


| REF. NO. | PART NO. | QTY. USED | PART DESCRIPTION | REF. NO. | PART NO. | QTY. USED | PART DESCRIPTION |
|----------|------------------------------|-----------|---|----------|----------|-----------|---|
| | CONTROL ASSEMBLY, COMPLETE | | | | | | |
| | 300-2042 | 1 | Key 1 | 11 | 822-2050 | 1 | Screw, Machine - Pan Head W/ET (#8-32 x 3/4") |
| | 300-2020 | 1 | Key 2 | 12 | 323-1107 | 1 | Receptacle, Twistlock - 30 Amp, 120 Volt (Three Wire, NEMA #L5-30R) |
| 1 | WASHER, LOCK - ET (#8) | | | 13 | 323-1108 | 1 | Receptacle, Twistlock - 20 Amp, 240 Volt (Three Wire, NEMA #L6-20R) |
| | 853-0005 | 1 | Key 1 | 14 | 308-0479 | 1 | Switch, Toggle |
| | 853-0005 | 3 | Key 2 | 15 | 812-0197 | 1 | Screw, Machine - Round Head (#8-32 x 2-1/4") - Key 2 |
| 2 | 301-5782 | 1 | Panel, Control - Blank | 16 | 321-0233 | 1 | Fuse, 8 Ampere - Key 2 |
| 3 | 323-1104 | 1 | Receptacle, Duplex (15 Amp, 125 Volt) | 17 | 321-0175 | 1 | Holder, Fuse - Key 2 |
| 4 | 822-2030 | 5 | Screw, Machine - Pan Head W/ET (#6-32 x 3/8") | 18 | 357-0030 | 1 | Rectifier, Silicon - Key 2 |
| 5 | BREAKER, CIRCUIT | | | 19 | 336-4458 | 1 | Lead - Key 2 |
| | 320-0540 | 2 | 15 Ampere | 20 | 336-6210 | 1 | Lead - Key 2 |
| | 320-0541 | 2 | 20 Ampere | 21 | 336-4782 | 1 | Lead - Key 2 |
| | 320-0543 | 1 | 30 Ampere | 23 | 526-0003 | 2 | Washer, Flat (11/64" ID x 3/8" OD x 1/32") - Key 2 |
| 6 | 854-0023 | 5 | Washer, Lock - IT (7/16") | 24 | 304-0217 | 1 | Resistor, Fixed (1-Ohm, 10 Watt) - Key 2 |
| 7 | 332-2139 | 1 | Terminal, Tab (4 Place) | 25 | 304-0292 | 1 | Insulator, Resistor - Key 2 |
| 8 | PLUG, DOT BUTTON (1/2" HOLE) | | | | | | |
| | 517-0133 | 4 | Key 1 | | | | |
| | 517-0133 | 3 | Key 2 | | | | |
| 9 | 305-0548 | 1 | Rectifier, Bridge | | | | |
| 10 | NUT, HEX (#8-32) | | | | | | |
| | 860-0008 | 1 | Key 1 | | | | |
| | 860-0008 | 2 | Key 2 | | | | |

OPTIONAL PARTS SECTION

This section contains illustrated parts listings of optional accessories and factory installed options for the generator sets. Options may not be applicable to all models; for field conversions additional parts are usually required. Optional parts listed in this section are in addition or in place of those shown in the standard parts section.

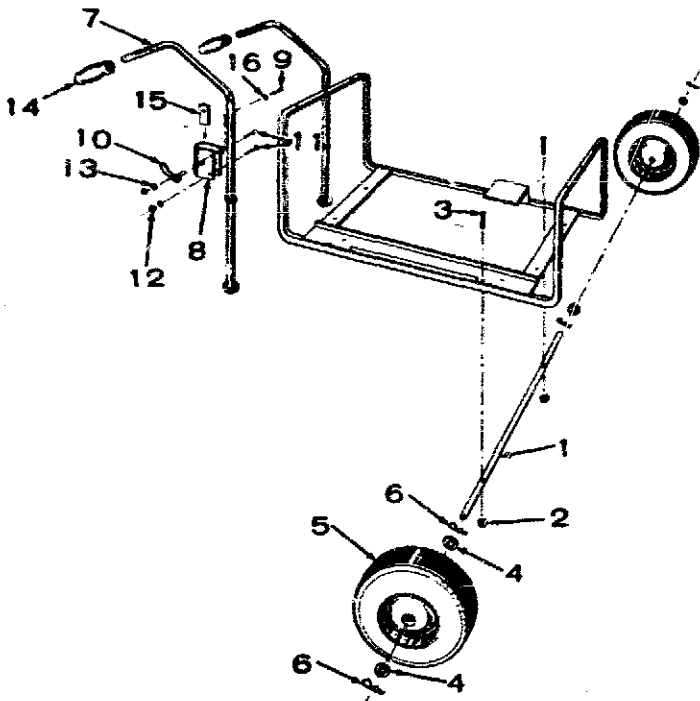
RECEPTACLE PLUG (OPTIONAL)



| REF. NO. | PART NO. | QTY. USED | PART DESCRIPTION |
|----------|----------|-----------|---|
| 1 | 323-0988 | As Req | *Plug, Receptacle - NEMA #5-15P-(15 Amp, 120 Volt) |
| 2 | 323-0216 | As Req | *Plug, Receptacle - NEMA #6-15P-(15 Amp, 240 Volt) |
| 3 | 323-0862 | As Req | *Plug, Twistlock - NEMA #L-30P-(30 Amp, 120 Volt) |
| 4 | 323-0863 | As Req | *Plug, Twistlock - NEMA #L6-20P-(20 Amp, 240 Volt) |
| 5 | 323-0952 | As Req | *Plug, Twistlock - NEMA #L14-30P-(30 Amp, 240 Volt) |
| 6 | 323-1143 | As Req | *Plug, Twistlock - NEMA #L6-30P-(30 Amp, 240 Volt) |

* - Select plug according to receptacle configuration illustrated.

DOLLY KIT - OPTIONAL



| REF. NO. | PART NO. | QTY. USED | PART DESCRIPTION |
|----------|----------|-----------|---|
| | 410-0739 | 1 | Dolly, Package, Complete |
| 1 | 410-0738 | 1 | Axle, Dolly |
| 2 | 870-0329 | 2 | Nut, Hex - Self Locking (5/16-18) |
| 3 | 814-0186 | 2 | Screw, Machine - Slotted Flat Head (5/16-18 x 2-1/2") |
| 4 | 526-0081 | 8 | Washer, Flat (1-1/64" ID x 1-5/8" OD x 1/8") |
| 5 | 410-0236 | 2 | Wheel + Tire, Complete |
| 6 | 516-0198 | 4 | Clip, Hitch Pin |
| 7 | 410-0147 | 2 | Handle, Dolly |
| 8 | 410-0742 | 2 | Channel, Handle Mounting |
| 9 | 800-0052 | 2 | Screw, Cap - Hex Head (3/8-16 x 1-1/2") |
| 10 | 406-0062 | 2 | Nut, Handle |
| 11 | 800-0032 | 4 | Screw, Cap - Hex Head (5/16-18 x 1-3/4") |
| 12 | 862-0015 | 4 | Nut, Hex (5/16-18) |
| 13 | 850-0045 | 4 | Washer, Lock - Spring (5/16) |
| 14 | 403-0205 | 2 | Grip, Handle |
| 15 | 410-0238 | 2 | Lock, Handle |
| 16 | 854-0020 | 2 | Washer, Lock - IT (3/8) |