

The following catalog has gaps in its page numbers, or doesn't have any numbers. We have chosen to leave the page numbering in the order that Acrobat assigns it.

923-0301 (3-80)
DAEB PARTS CATALOG

INTRODUCTION

This catalog applies to the standard Alternators listed below. Parts are arranged in groups of related items. Each illustrated part is identified by a reference number corresponding to the same reference number in the parts list for that group. Parts illustrations are typical. Using the *Model* and *Spec No.* from the nameplate, select the *Parts Key No.* 1, 2, etc., in the last column that applies to your set *Model* and *Spec No.* This *Parts Key No.* represents parts that differ between models. Unless otherwise mentioned in the description, parts are interchangeable between models. Right and left sides are determined by facing the blower end (front) of the set.

GENERATOR SET DATA TABLE

MODEL AND SPEC	ELECTRICAL DATA				PARTS KEY NO.
	WATTS	VOLTS	HERTZ	PHASE	
6.5DAEB-3P/*	6500	120/240	60	1	1
†6.5DAEB-3E/*	6500	120/240	60	1	2

* - The Specification Letter changes (A to B, B to C, etc.) with manufacturing changes.
† - These Generator Sets are electric starting.

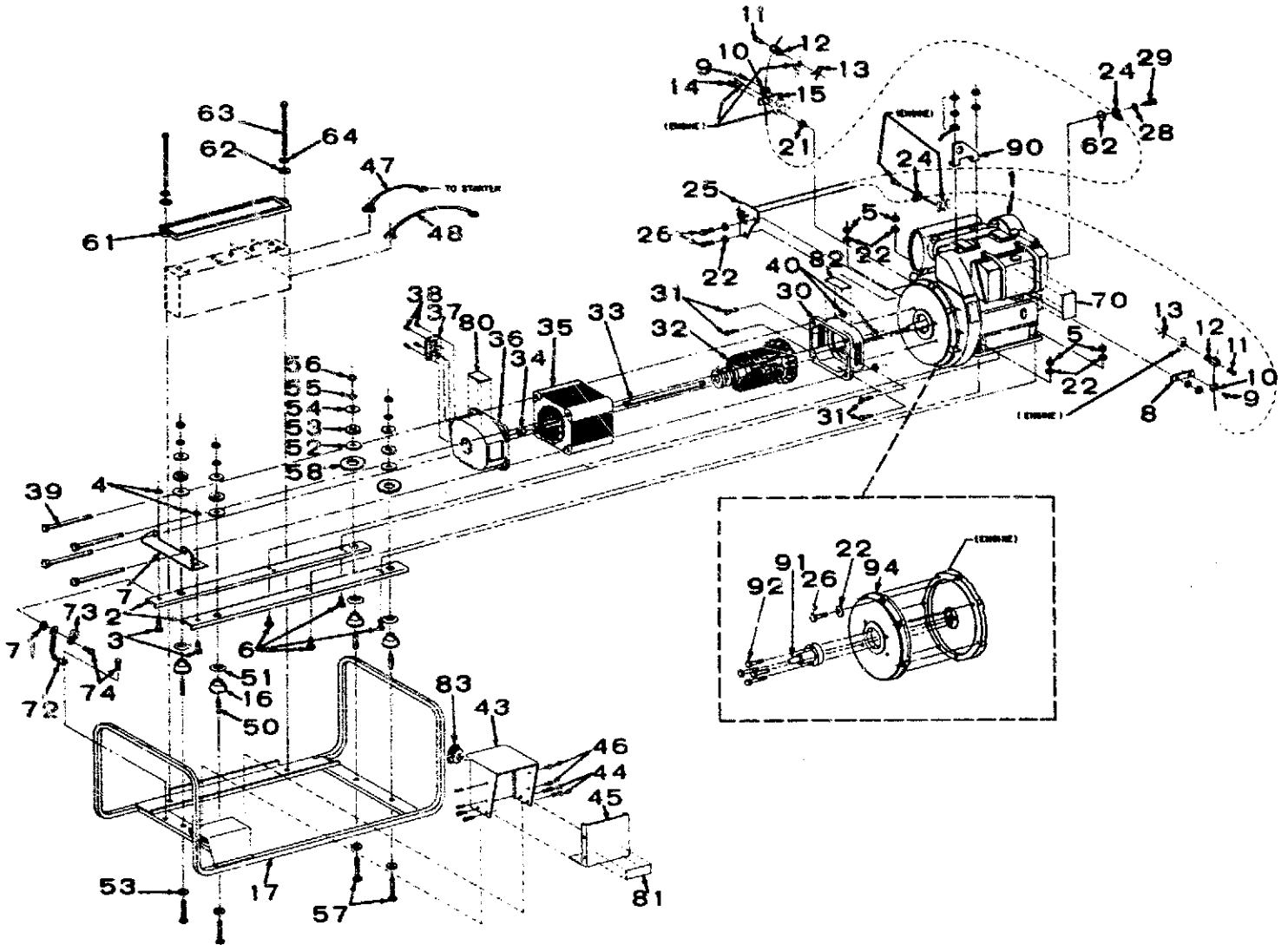
PARTS CATALOG INDEX DAEB

FICHE LOCATION	GROUP
A1	GENERATOR SET DATA TABLE
A1	STANDARD PARTS SECTION
A6	CARRYING HANDLE
A7	CONTROL (AC-OUTPUT)
A6	CONTROL (ENGINE)
A5	END BELL
A3, A4	GENERATOR SET
A8	OPTIONAL PARTS SECTION
A9	DOLLY
A9	RECEPTACLE PLUG

STANDARD PARTS SECTION

This section contains the illustrated parts listing for the standard generator sets listed in the Data Table.

GENERATOR SET

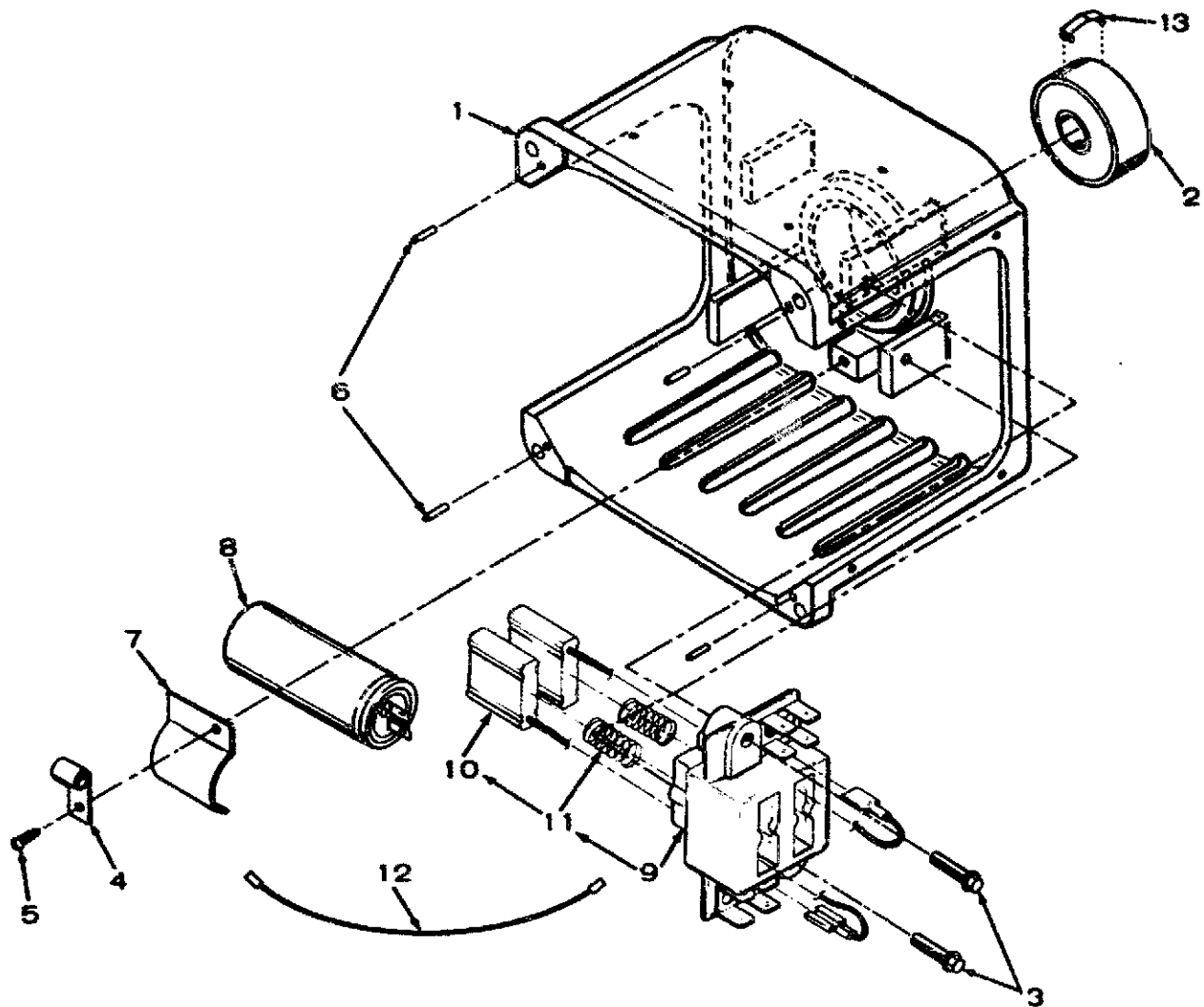


GENERATOR SET

REF. NO.	PART NO.	QTY. USED	PART DESCRIPTION	REF. NO.	PART NO.	QTY. USED	PART DESCRIPTION
	191-1305	1	§Starter, Complete (Lucas #M35J25225D) Not Illustrated	43	301-5359	1	Wrapper, Receptacle Panel
1	100-1715	1	*Engine, Replacement - Petter AC2, 0/605	44	821-0009	4	Screw, Cap - HWH (1/4-20 x 3/8")
2	403-1587	2	Channel, Mounting	45	CONTROL ASSEMBLY - AC (See Separate Group for Components)		
3	815-0500	2	Screw, Cap - Hex Head W/ET (5/16-18 x 3/4")	300-2021	1	Key 1	
4	870-0348	2	Nut, Hex W/ET (5/16-18)	300-1996	1	Key 2	
5	862-0003	4	Nut, Hex (3/8-16)	46	815-0498	4	Screw, Cap - Tapping Hex Head W/Cone Washer (#8-32 x 3/8")
6	800-0051	4	Screw, Cap - Hex Head (3/8-16 x 1-1/4")	47	416-0738	1	Cable, Battery (9") Key 2
7	403-1610	1	Bracket, Generator Mounting	48	416-0733	1	Cable, Battery (12") Key 2
8	152-0232	1	Bracket, Starting Aid Control	50	402-0290	4	Bushing, Sleeve
9	815-0391	2	Screw, Tapping - Slotted Head (#10-32 x 1/2")	51	402-0410	4	Cup, Dampener Retaining
10	153-0514	2	Clamp, Choke Cable	52	402-0282	4	Snubber, Rubber
11	815-0351	2	Screw, Cap - Hex Head Brass (#8-32 x 3/8")	53	526-0198	8	Washer, Flat (5/8" ID x 1-1/2" OD x 1/16")
12	152-0230	2	Swivel, Cable Holding	54	526-0014	4	Washer, Flat (29/64" ID x 1-1/2" OD x 1/8")
13	516-0059	2	Cotter, Hairpin	55	850-0055	4	Washer, Lock - Spring (7/16)
14	821-0018	1	Screw, Cap - HWH (1/4-20 x 5/8")	56	862-0004	4	Nut, Hex (7/16-14)
15	152-0233	1	Bracket, Throttle Cable Mounting	57	816-0206	4	Screw, Cap - Hex Head (7/16-14 x 3-1/2")
16	402-0284	4	Dampener, Vibration	58	526-0286	4	Washer, Flat (1-1/8" ID x 1-3/4" OD x 3/16")
17	403-1591	1	Frame, Carrying	61	416-0338	1	Frame, Battery Holddown Key 2
21	870-0212	1	Nut, HWH (1/4-20)	62	526-0113	3	Washer, Flat (11/32" ID x 1" OD x 3/32")
22	WASHER, LOCK - SPRING (3/8)			63	800-0192	2	Screw, Cap - Hex Head (1/4-20 x 8-1/2") Key 2
	850-0050	6	Key 1	64	850-0040	2	Washer, Lock - Spring (1/4) Key 2
	850-0050	12	Key 2	70	98-4062	1	Label, Service Instructions
24	332-2325	2	Clamp, Throttle Cable	71	856-0003	1	Washer, Lock - EIT (#10)
25		1	Control, Engine (See Separate Group for Components)	72	337-0097	1	Strap, Ground
26	SCREW, CAP - HEX HEAD (3/8-16 x 1-1/2")			73	332-2178	1	Lug, Single - Terminal
	800-0052	2	Key 1	74	815-0378	2	Screw, Tapping - Hex Head W/ET (#14 x 1/2")
	800-0052	8	Key 2	80		1	Plate, Model Identification
28	850-0045	1	Washer, Lock - Spring (5/16)	81	98-3939	1	Label, Receptacle Panel
29	800-0030	1	Screw, Cap - Hex Head (5/16-18 x 1-1/4")	82	98-3575	1	Label, Caution
30	231-0227	1	Adapter (Includes Dowel Pins)	83	508-0051	1	Grommet, Rubber (2" Hole)
31	815-0494	4	Screw, Cap - Hex Head W/IT (3/8-16 x 7/8")	90	403-1613	1	Bracket, Lifting
32	201-2910	1	Rotor (Includes Bearing)	91	104-1155	1	Shaft, Stub - Engine to Generator
33	520-0916	1	Stud, Rotor Through	92	801-0517	4	Screw, Cap - Hex Head (5/16-24 x 1-3/4")
34	870-0271	1	Nut, Internal Wrenching	94	231-0247	1	Adapter, Engine to Generator
35	220-3108	1	Stator				
36	211-0328	1	Bell Assembly, End (See Separate Group for Components)				
37	234-0637	1	Cover, Brush Block				
38	815-0395	4	Screw, Tapping - HWH (#6 x 3/8")				
39	800-0189	4	Screw, Cap - Hex Head (1/4-20 x 8")				
40	870-0232	4	Nut - Hex W/ET (1/4-20)				

* - For component parts, contact your nearest Petter dealer.
 § - For component parts, contact your nearest Lucas dealer or Lucas Ind. Inc. Automotive Equipment Division 5500 New King Street, Troy, Michigan 48098.

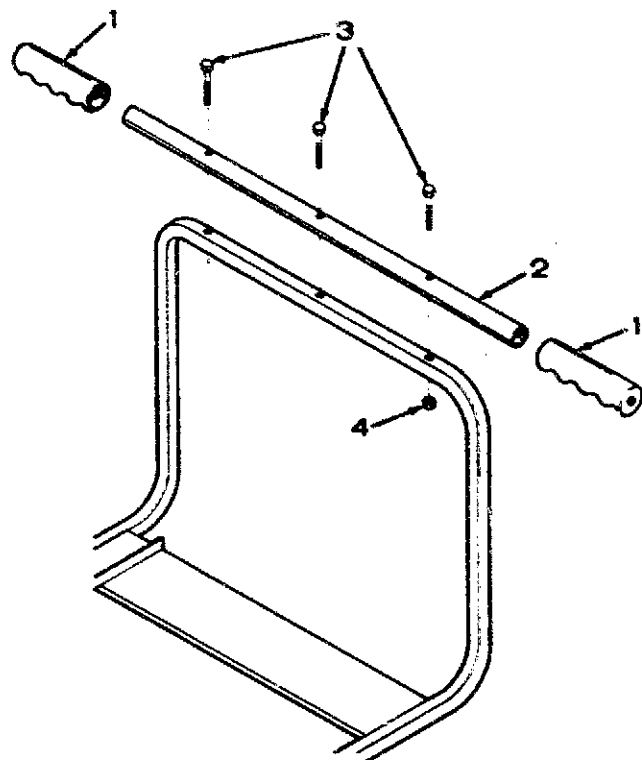
END BELL



REF. NO.	PART NO.	QTY. USED	PART DESCRIPTION
	211-0328	1	Bell Assembly, Complete
1	211-0324	1	Bell Only, End
2	510-0047	1	Bearing, Rotor
3	815-0359	2	Screw, Tapping - HWH (#10-32 x 7/8")
4	332-1876	1	Clamp, Wire Retaining
5	815-0518	1	Screw, Tapping - HWH (#6-32 x 5/8")
6	516-0196	4	Pin, Locking - End Bell
7	312-0194	1	Bracket, Capacitor Mounting
8	356-0056	1	Capacitor
9	212-1271	1	Block, Collector Ring Brush (Includes Parts Marked *)
10	214-0096	2	*Brush, Collector Ring
11	212-1232	2	*Spring, Brush
12	LEAD (#16 Wire)		
	336-5252	1	18" Long
	336-5251	1	5" Long
	336-5249	1	17" Long
	336-5248	1	4" Long
	336-5250	1	3" Long
13	232-0596	1	Clip, Generator Bearing Stop

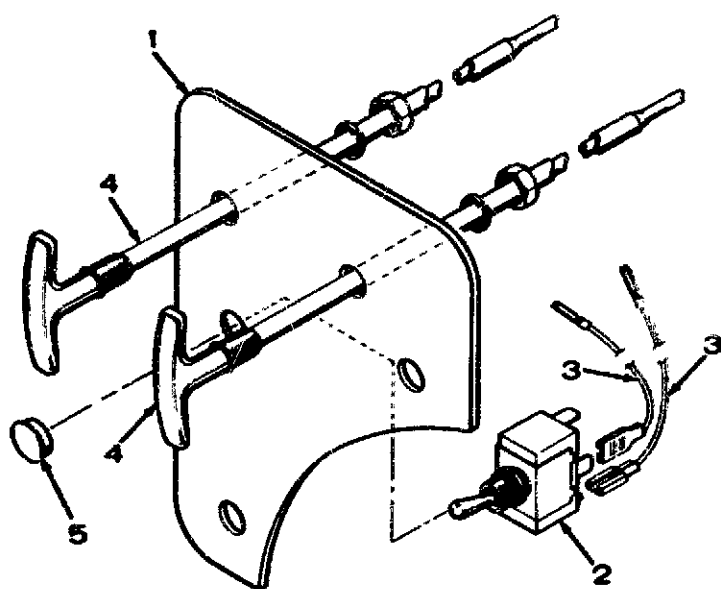
* - Parts Included in 212-1271 Brush Block.

CARRYING HANDLE



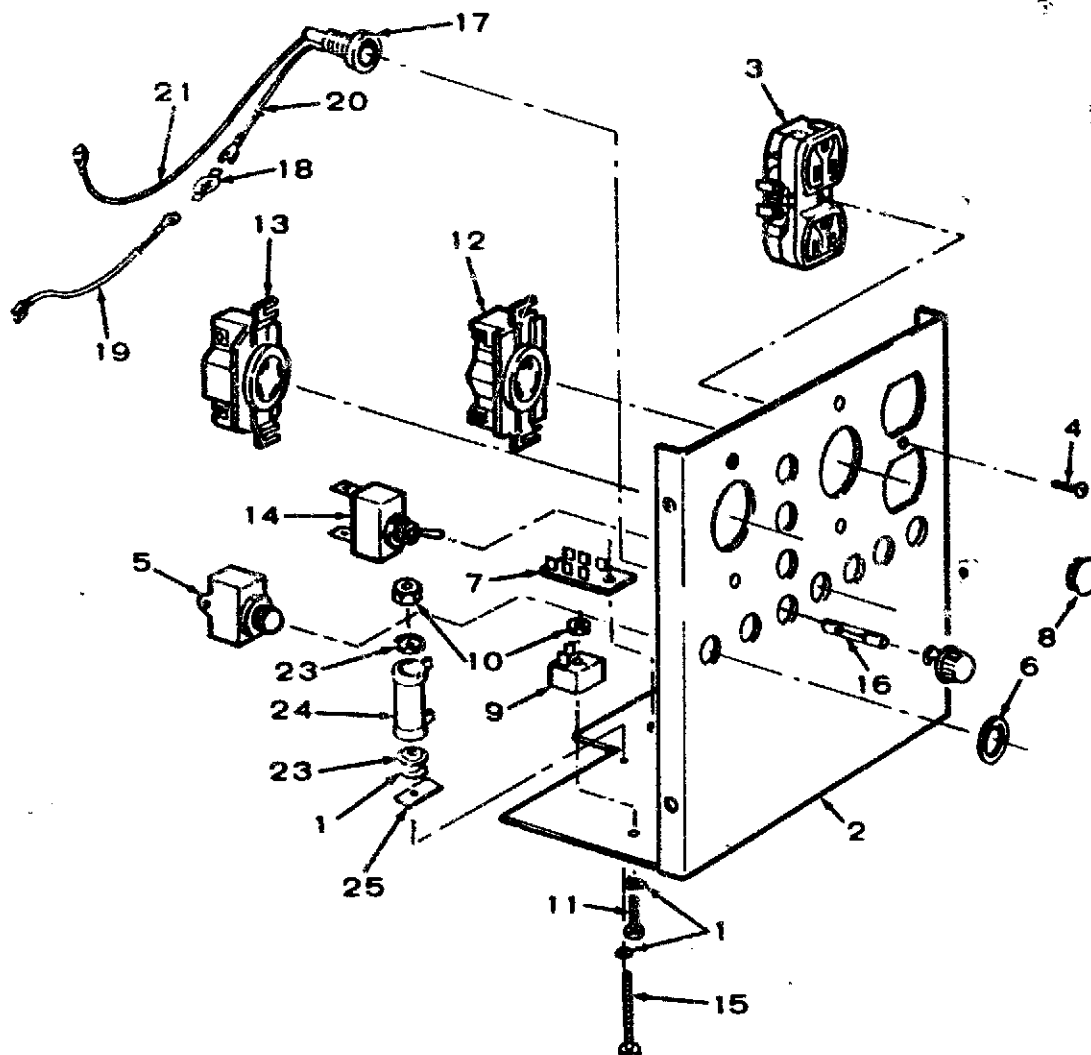
REF. NO.	PART NO.	QTY. USED	PART DESCRIPTION
1	403-1477	4	Grip, Handle
2	403-1588	2	Tube, Handle
3	814-0185	6	Screw, Machine - Flat Head Slotted (5/16-18 x 2-1/4")
4	870-0348	6	Nut, Hex - W/ET (5/16-18)

ENGINE CONTROL



REF. NO.	PART NO.	QTY. USED	PART DESCRIPTION
1	152-0234	1	Bracket, Engine Control
2	308-0345	1	Switch, Start Key 2
3	336-5475	2	Lead (14"-#16 Wire) Key 2
4	CONTROL, ENGINE		
	153-0526	1	Fuel - On/Off
	153-0526	1	Starting Aid
5	517-0133	1	Plug, Nylon (7/16") Key 1

CONTROL (AC OUTPUT)



REF. NO.	PART NO.	QTY. USED	PART DESCRIPTION	REF. NO.	PART NO.	QTY. USED	PART DESCRIPTION
CONTROL ASSEMBLY, COMPLETE				11	822-2050	1	Screw, Machine - Pan Head W/ET (#8-32 x 3/4")
	300-2021	1	Key 1	12	323-1107	1	Receptacle, Twistlock - 30 Amp 120 Volt (Three Wire, NEMA #L5-30R)
	300-1996	1	Key 2	13	323-1110	1	Receptacle, Twistlock - 30 Amp, 240 Volt (Three Wire, NEMA #L6-30R)
1	WASHER, LOCK - ET (#8)			14	308-0479	1	Switch, Toggle
	853-0005	1	Key 1	15	812-0197	1	Screw, Machine - Round Head (#6-32 x 2-1/4)
	853-0005	3	Key 2	16	321-0233	1	Fuse, 8 Ampere - Key 2
2	301-5783	1	Panel, Control - Blank	17	321-0175	1	Holder, Fuse - Key 2
3	323-1104	1	Receptacle, Duplex (15 Amp, 125 Volt)	18	357-0003	1	Rectifier, Silicon - Key 2
4	822-2030	5	Screw, Machine - Pan Head W/ET (#6-32 x 3/8")	19	336-4458	1	Lead - Key 2
5	BREAKER, CIRCUIT			20	336-6210	1	Lead - Key 2
	320-0540	2	15 Ampere	21	336-4792	1	Lead - Key 2
	302-0543	3	30 Ampere	23	526-0003	2	Washer, Flat (11/64" ID x 3/8" OD x 1/32") - Key 2
6	854-0023	5	Washer, Lock - IT (7/16")	24	304-0217	1	Resistor, Fixed (1-Ohm, 10 Watt) - Key 2
7	332-2139	1	Terminal, Tab (4 Place)	25	304-0292	1	Insulator, Resistor - Key 2
8	PLUG, DOT BUTTON (1/2" HOLE)						
	517-0133	4	Key 1				
	517-0133	3	Key 2				
9	305-0548	1	Rectifier, Bridge				
10	NUT, HEX (#8-32)						
	860-0008	1	Key 1				
	860-0008	2	Key 2				

OPTIONAL PARTS SECTION

This section contains illustrated parts listings of optional accessories and factory installed options for the generator sets. Options may not be applicable to all models; for field conversions additional parts are usually required. Optional parts listed in this section are in addition or in place of those shown in the standard parts section.