

# **PARTS CATALOG**

FOR



## **ELECTRIC GENERATING PLANT**



## **MODEL 205AJ-1EV/6820**



Manufactured for  
**FORD MOTOR COMPANY**  
by

---

# **ONAN**

**1400 73RD AVENUE N.E. • MINNEAPOLIS, MINNESOTA 55432**

*A DIVISION OF ONAN CORPORATION*

## PARTS CATALOG

This parts catalog applies to *ONAN* Generating Plant, 205AJ-1EV/6820.

Parts are arranged in groups of related items. Each illustrated part is identified by a reference number corresponding to the same reference number in the Parts List for the group. Right and left plant sides are determined by facing the engine end (front) of the plant.

Common hardware items such as screws, washers, nuts, etc., which are available locally are not listed.

### INSTRUCTIONS FOR ORDERING REPAIR PARTS

For parts of service, contact your Nearest *ONAN* Authorized Parts & Service Center.

To avoid errors or delay in filling your parts order, please furnish all information requested.

Always refer to the nameplate on your plant:

1. Always give the MODEL & SPEC. NO.

and SERIAL NO.

For handy reference, insert YOUR plant nameplate information in the spaces above.

<b>Onan</b> <b>ELECTRIC PLANT</b> MODEL AND SPEC. NO.	
SERIAL NO.	
<b>IMPORTANT</b> ALWAYS GIVE ABOVE NOS. WHEN ORDERING PARTS	
STDBY. KW	KVA
CONT. KW	KVA
A.C. VOLTS	PH.
A.C. AMPS	P.F.
CY.	RPM
D.C. VOLTS	AMPS
WATTS	
EXCITER	BAT.
GEN. DATA	
MANUFACTURED BY <b>ONAN</b>	
MINNEAPOLIS, MINNESOTA, USA FOR ELECT. EQUIPMENT ONLY. 99A941	

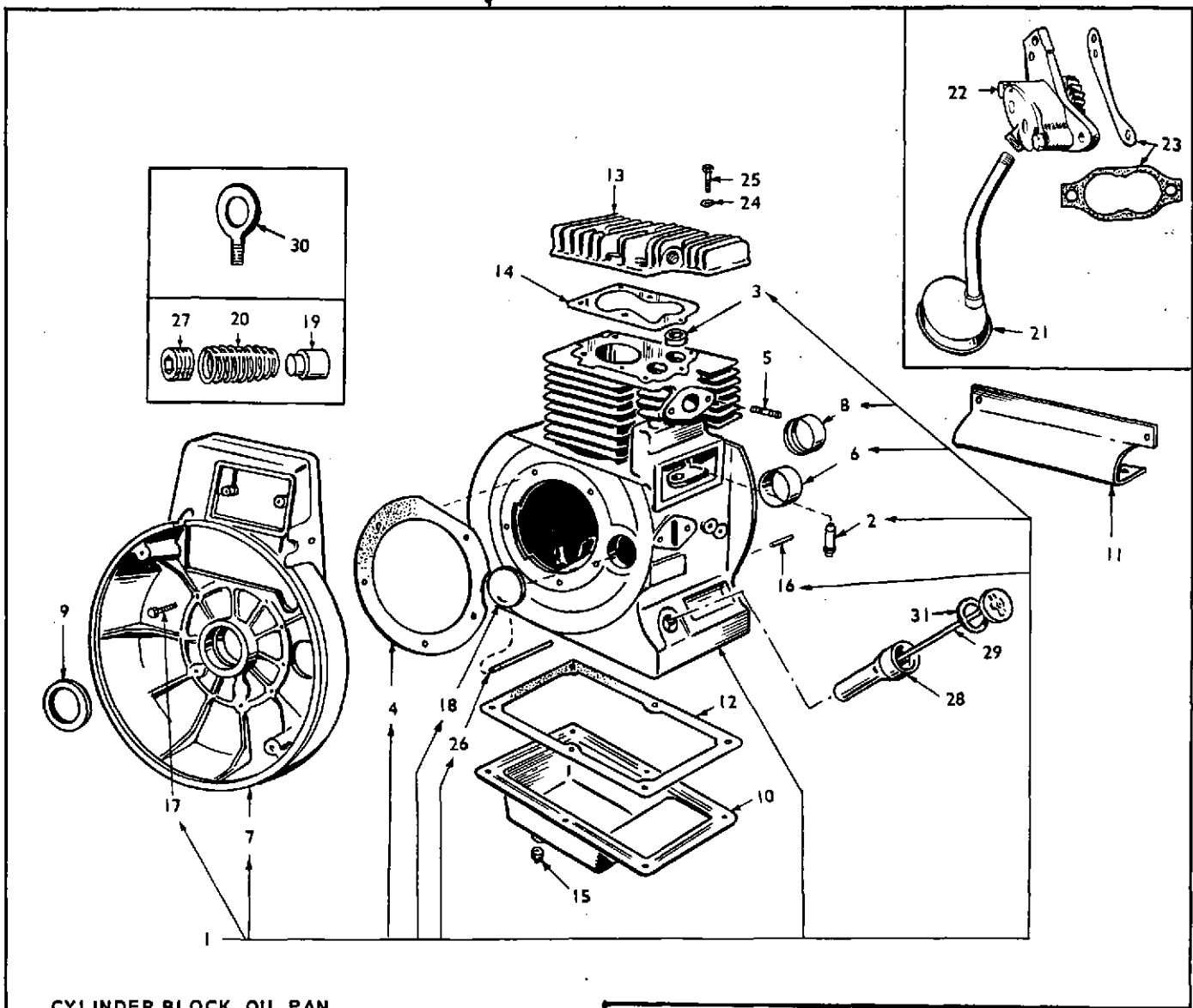
2. Do not order by reference number or group number, always use part number and description.
3. Give the part number, description and quantity needed of each item. If an older part cannot be identified, return the part prepaid to your nearest *ONAN* AUTHORIZED PARTS AND SERVICE CENTER. Print your name and address plainly on the package. Write a letter to the same address stating the reason for returning the part.
4. State definite shipping instructions. Any claim for loss or damage to your unit in transit should be filed promptly against the transportation company making the delivery. Shipments are complete unless the packing list indicates items are back ordered.

Prices are purposely omitted from this Parts Catalog due to the confusion resulting from fluctuating costs, import duties, sales taxes, exchange rates, etc.

For current parts prices consult your *Onan* Dealer, Distributor, or Parts and Service Center.

"En esta lista de partes los precios se omiten de proposito, ya que bastante confusion resulto de fluctuaciones de los precios, derechos aduanales, impuestos de venta, cambios extranjeros etc.

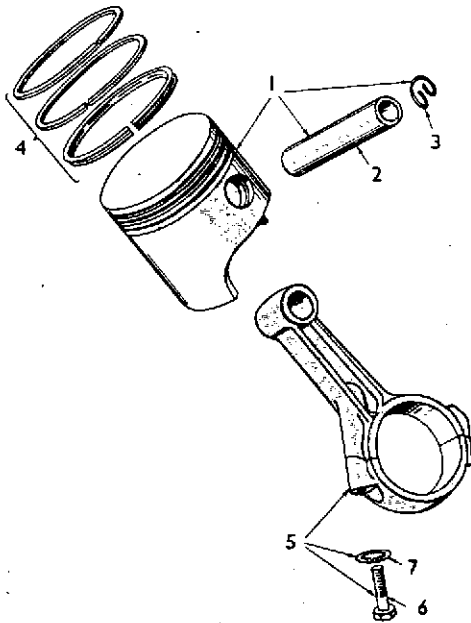
Consiga los precios vigentes de su distribuidor de productos "ONAN".



CYLINDER BLOCK, OIL PAN AND OIL PUMP GROUP

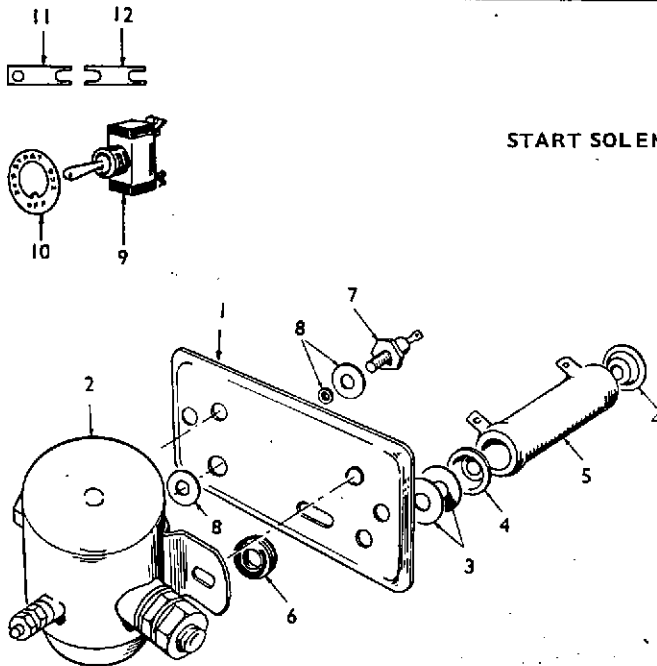
REF. NO.	PART NO.	QTY. USED	PARTS DESCRIPTION	REF. NO.	PART NO.	QTY. USED	PARTS DESCRIPTION
1	110A1678	1	Cyl. Block Assembly	15	505-684	1	Plug, 1/4" Oil Drain
2	110A441	2	Guide, Valve	16	516A12	2	Pin, Dowel - Gear Cover Align
3	110A826	1	Insert, Exh. Valve Seat	17	800-29	5	Screw, Cap - Bearing Plate and Rear Brg. (Less Brg.)
4	101K257	1	Gasket Kit, Brg. Plt. to Engine (one .015", two .006")	18	517-48	1	Plug, Expan. Rear Cam.Brg.
5	520A363	2	Stud, Carb. Mtg.	19	120A12	1	Plunger, Oil By-Pass
6	101A367	2	Bearing, Precision Camshaft	20	120A140	1	Spring, Oil By-Pass Plunger
7	231E141	1	Plate, Generator Adapter, and Rear Brg. (Less Brg.)	21	120A571	1	Cup and Pipe, Oil Pump Intake (Includes Screen)
8	101B290	2	Bearing, Precision Crankshaft (Front or Rear) Specify: Std., .002", .010", .020" or .030" Undersize	22	120A394	1	Pump, Oil
9	509A41	1	Seal, Oil - Crankshaft Rear	23	120K161	1	Gasket Kit, Oil Pump
10	102B627	1	Pan, Oil	24	526A208	7	Washer, Cyl. Head
11	403CB65	1	Bracket, Eng. Mtg.	25	SCREW, HARDENED		
12	102B18	1	Gasket, Oil Pan		110A879	4	Cyl. Head (5/16-18 x 1-1/4")
13	110C834	1	Head, Cylinder		110A284	3	Cyl. Head (5/16-18 x 1-1/2")
14	110C836	1	Gasket, Cyl. Hd.		114A22	2	Gear Cover (1/16-18 x 1-1/2")
				26	120A387	1	Tube, Crankcase (Pressed in Block)
				27	505-274	1	Plug, Oil By-Pass (1/8" x 1/4")
				28	123A1066	1	Tube, Oil Fill
				29	123A1052	1	Cap & Indicator, Oil Fill
				30	403A856	1	Bolt, Eye - Lifting
				31	123A191	1	Gasket, Oil Fill Cap

### PISTON AND CONNECTING ROD GROUP



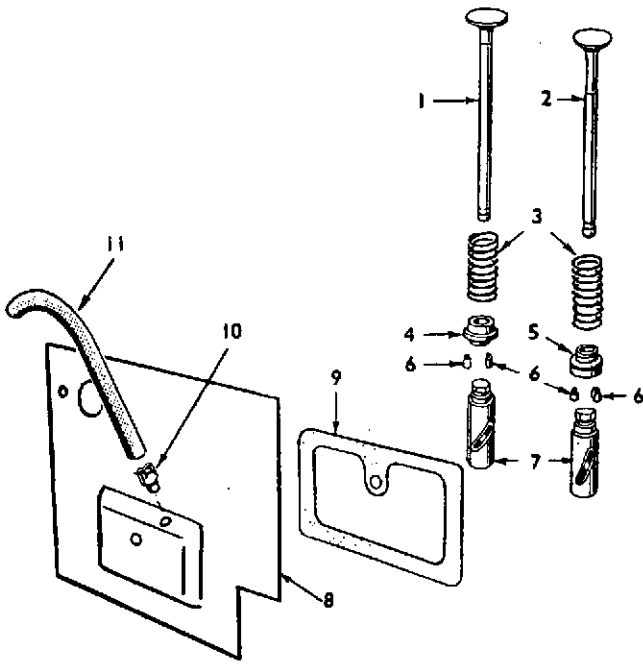
REF. NO.	PART NO.	QTY. USED	PARTS DESCRIPTION
1	112A74	1	Piston & Pin Assembly - Specify: Std. or .010" .020", .030", .040" Over
2	112A63	1	Pin, Specify Std. or .002" Over
3	112A13	2	Clip, Piston Pin Retaining
4	113-84	1	Ring, Set, Specify Std or .010", .020", .030", .040" Over.
5	114C95	1	Rod, Connecting - Specify Std. or .010", .020", .030" Under
6	114A23	2	Screw, Rod Cap (Hardened)
7	854-14	2	Washer, Lock (I.T.Shakeproof)

### START SOLENOID GROUP



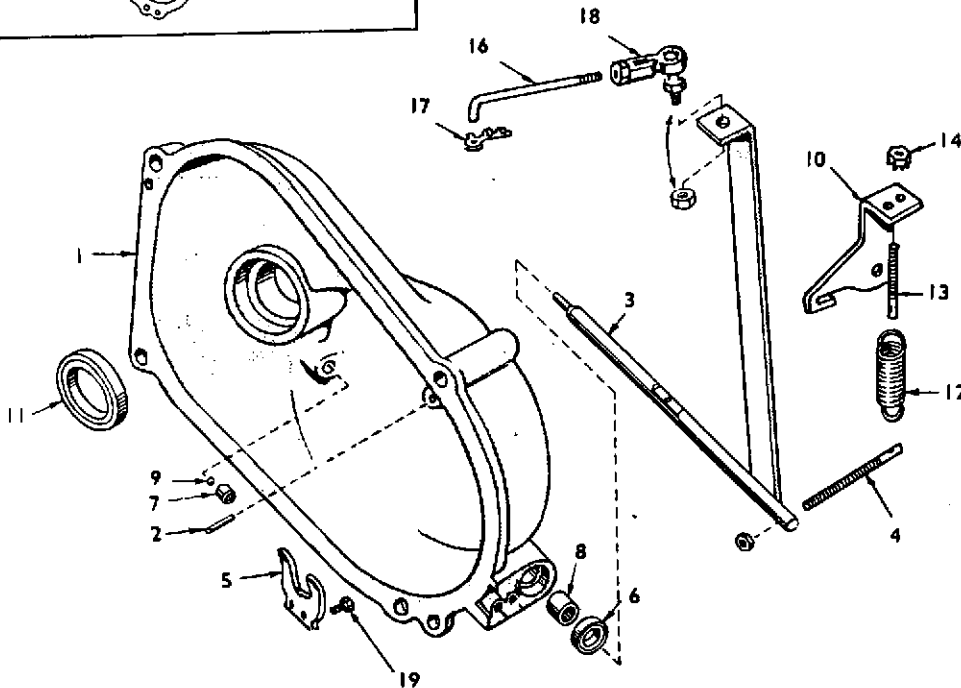
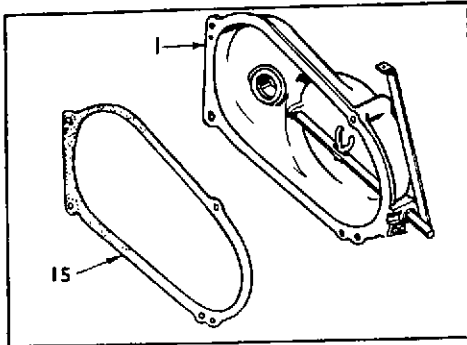
REF. NO.	PART NO.	QTY. USED	PARTS DESCRIPTION
1	191B708	1	Plate, Solenoid Mtg.
2	307B1031	1	Solenoid, Start (12-V)
3	508-32	AR	Washer, Insulating
4	304A14	2	Washer, Centering
5	353A28	1	Resistor
6	508P114	1	Grommet
7	305A235	1	Rectifier
8	WASHER, INSULATOR		
	508-16	1	5/16" O.D.
	508-17	1	1/2" O.D.
	508-33	1	3/4" O.D.
9	308A140	1	Switch, Ignition
10	308P141	1	Plate, Ign. Switch
11	337A88	1	Strap, Ground
12	337A89	1	Strap, Jumper

### VALVE AND BREATHER GROUP



REF. NO.	PART NO.	QTY. USED	PARTS DESCRIPTION
1	110B828	1	Valve, Intake
2	110B827	1	Valve, Exh. Stellite
3	110A609	2	Spring, Valve
4	110A558	1	Retainer, Val. Spring - Intake
5	110A540	1	Rotacap, Valve -- Exhaust
6	110A8	4	Lock, Val. Spg. Retainer
7	115A6	2	Tappet, Valve
8	110B1658	1	Cover, Valve
9	110A832	1	Gasket, Valve Cover
10	123A486	1	Valve, Breather with 5/16" Ball
11	503A271	1	Hose, Breather, 7/16" x 5-1/2"
	800-15	1	Screw, Cap (1/2-20 x 3") Valve Cover
	526-63	1	Washer, Copper Valve Cover Screw

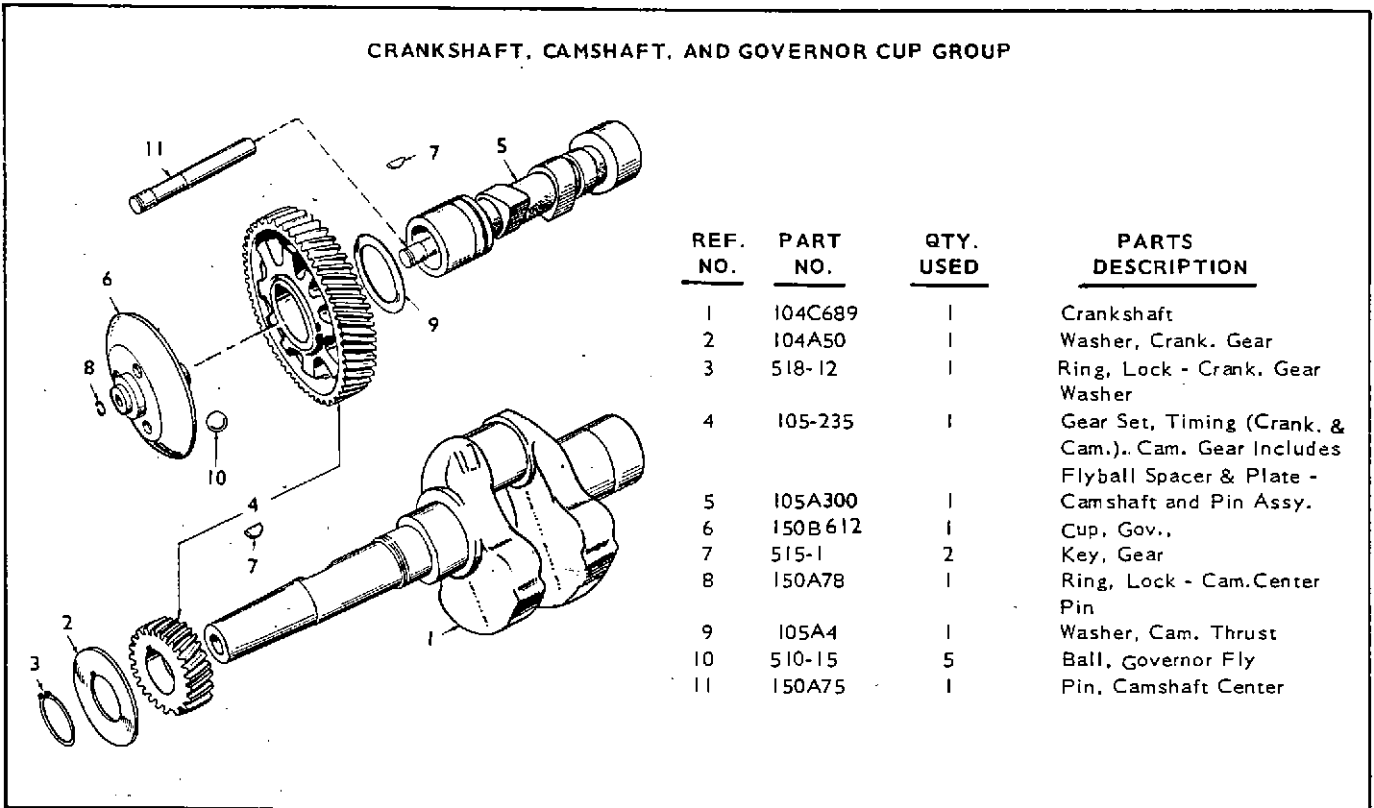
### GEAR COVER GROUP



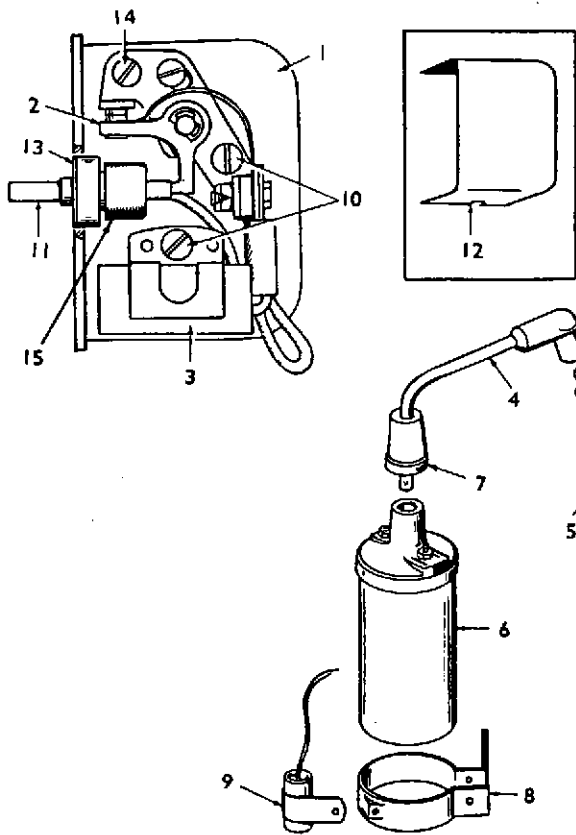
REF. NO.	PART NO.	QTY. USED	PARTS DESCRIPTION	REF. NO.	PART NO.	QTY. USED	PART DESCRIPTIONS
1	103C320	1	Cover Assembly, Gear-Incl. Parts Marked *	12	150A98	1	Spring, Governor
2	516-117	1	*Pin, Roll (3/16 x 13/16") Gov. Cup Stop	13	150A213	1	Stud, Gov. Spring Tension Adj.
3	150A1221	1	*Arm & Shaft, Governor	14	870-131	1	Nut, Gov. Adjusting
4	150A177	1	Stud, Gov. Sensitivity Adj.	15	103B13	1	Gasket, Gear Cover
5	150B1187	1	*Yoke, Gov. Shaft -	16	150A786	1	Link, Governor Arm to Carburetor
6	509-8	1	*Seal, Oil - Gov. Shaft	17	518-4	1	Clip, Gov. Link to Carb.
7	510-8	1	*Bearing, Gov. Shaft-Lower	18	150A974	1	Joint Ball
8	510-13	1	*Bearing, Gov. Shaft - Upper	19	819-1046	2	Screw, Gov. Yoke Mtg.
9	510-14	1	*Ball, Gov. Shaft Thrust				
10	150A1224	1	Bracket, Gov. Spring				
11	509-12	1	*Seal, Crankshaft Oil, Front				

\* - Parts in Gear Cover Assembly.

### CRANKSHAFT, CAMSHAFT, AND GOVERNOR CUP GROUP

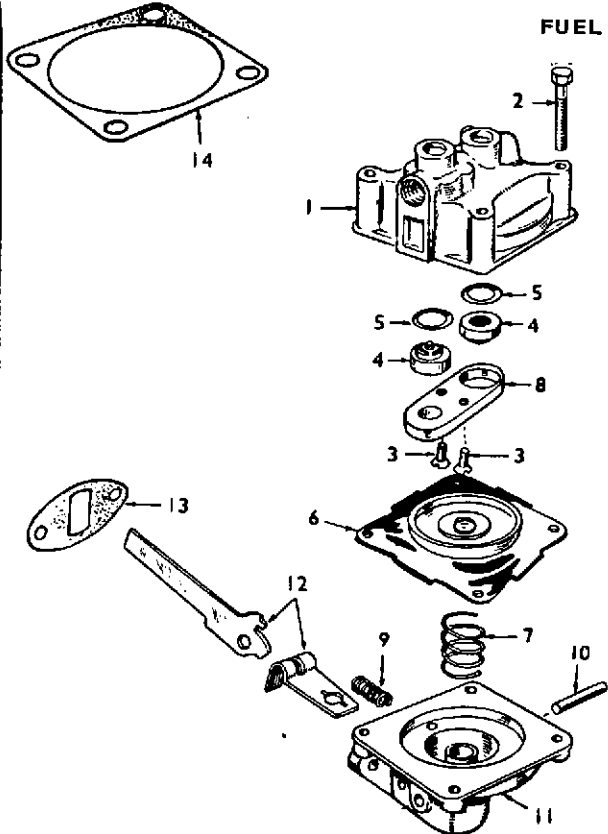


REF. NO.	PART NO.	QTY. USED	PARTS DESCRIPTION
1	104C689	1	Crankshaft
2	104A50	1	Washer, Crank. Gear
3	518-12	1	Ring, Lock - Crank. Gear Washer
4	105-235	1	Gear Set, Timing (Crank. & Cam.). Cam. Gear Includes Flyball Spacer & Plate - Camshaft and Pin Assy.
5	105A300	1	Cup, Gov.,
6	150B612	1	Key, Gear
7	515-1	2	Ring, Lock - Cam.Center Pin
8	150A78	1	Washer, Cam. Thrust
9	105A4	1	Ball, Governor Fly
10	510-15	5	Pin, Camshaft Center
11	150A75	1	



### IGNITION GROUP

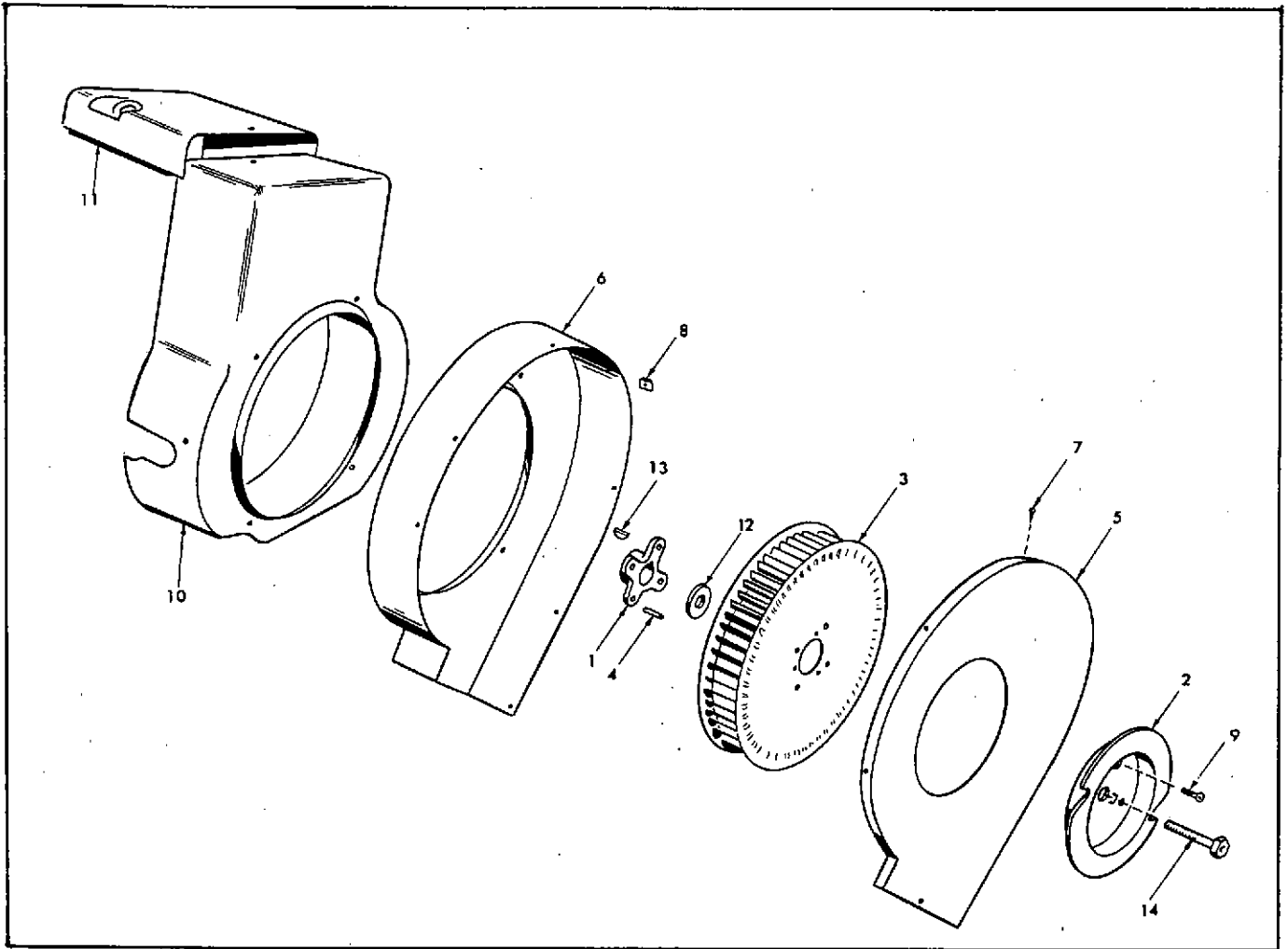
REF. NO.	PART NO.	QTY. USED	PARTS DESCRIPTION
1	160A555	1	Box Assy., Breaker
2	160A2	1	Point Set
3	312A97	1	Condenser
4	167A1521	1	Lead, Spark Plug
5	167-234	1	Plug, Spark
6	166P278	1	Coil, Ignition
7	160A558	1	Nipple, Rubber, Ign. Lead
8	160B1045	1	Bracket, Ign. Coil Mtg.
9	312A58	1	Condenser, Suppression
10	518-49	3	Screw, Points & Cond. Mtg.
11	160A553	1	Plunger, & Guide Assy.-Brkr.
12	160A551	1	Cover, Brkr. Box
13	160A461	1	Gasket, Plunger Guide
14	160A75	1	Pivot, Breaker Arm
15	160A263	1	Diaphragm only, Plunger



### FUEL PUMP PARTS GROUP

REF. NO.	PARTS NO.	QTY. USED	PARTS DESCRIPTION
	149D1180	1	Pump, Fuel (Illustrated in Fuel System Group)
	149K526	1	Repair Parts Kit, Incls. parts Marked *
1		1	Body, Not Sold Separately
2	815-148	4	Screw, Self Tapping, #8-32 x 7/8"
3	815-147	2	Screw, Phillips Self Tapping #6-32 x 5/8", Valve Retainer
4	149-96	2	*Valve and Cage.
5	149A95	2	*Gasket, Valve
6	149A582	1	*Diaphragm Assembly.
7	149A672	1	*Spring
8	149A539	1	Retainer, Valve Cage
9	149A675	1	*Spring
10	516A113	1	Pin, Rocker Arm
11		1	Body, Not Sold Separately
12	149-710	1	Link and Arm, Rocker, (only as a set)
13	149A3	1	*Gasket, Pump Mounting
14	149A858	1	*Gasket, Diaphragm - Lower Side

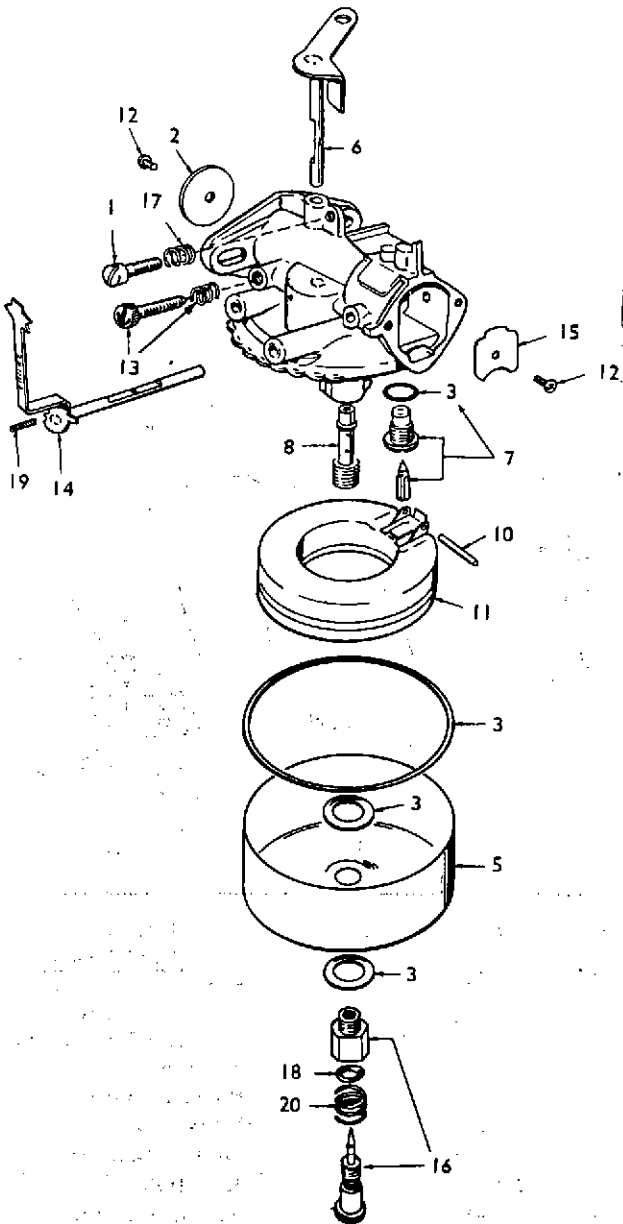
\* Parts in Repair Kit



REF. NO.	PART NO.	QTY. USED	PARTS DESCRIPTION	REF. NO.	PART NO.	QTY. USED	PARTS DESCRIPTION
1	134C1913	1	Hub	7	870-120	8	Nut, Speed - J-Type
2	192B370	1	Sheave, Rope	9	912-150	2	Screw, Round Head, (1/4-20 x 5/8") Sheave and Blower
3	134A1924	1	Wheel, Blower				
4	516-91	2	Pin, Groove - Sheave and Blower Wheel-to-Flywheel	10	134D1907	1	Housing, Blower
5	134D1923	1	Scroll, Air - Front	11	134D1904	1	Shroud, Cyl. Air
6	134D1902	1	Scroll, Air - Rear	12	526-141	1	Washer, Hub Mtg
7	809-43	8	Screw, Sheet Metal - #10 x 3/8" Scroll	13	515A113	1	Key, Hub
				14	104A690	1	Screw, Hub Mtg.

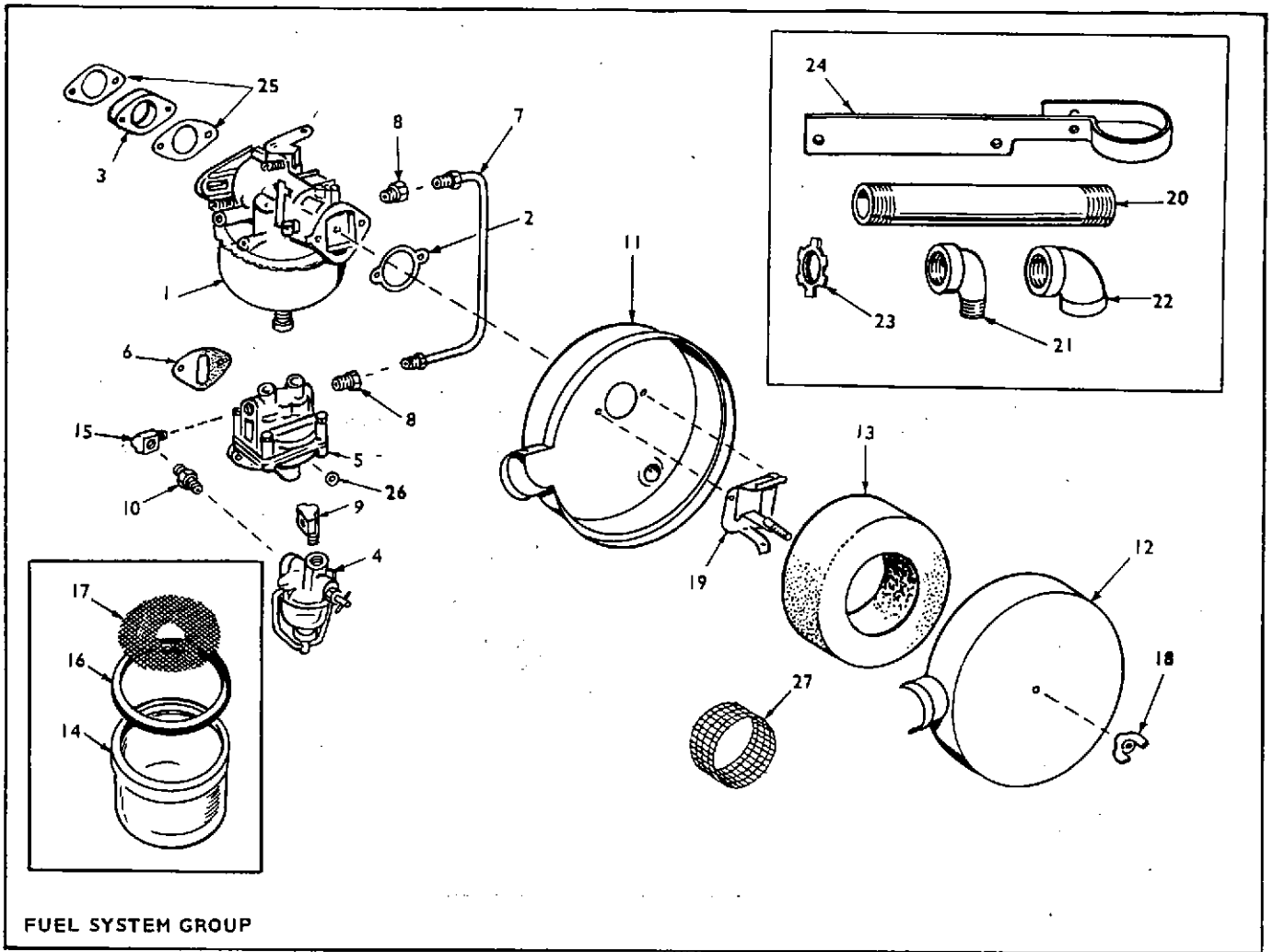


### CARBURETOR PARTS GROUP



REF. NO.	PART NO.	QTY. USED	PARTS DESCRIPTION
	146C138	1	Carburetor
	146P123	1	Repair Kit, Carburetor - Includes Parts Marked *
1	146P122	1	Screw, Throttle Stop
2	146P119	1	Valve, Throttle
3	146P124	1	* Gasket Kit, Carburetor
5	146P118	1	Bowl, Fuel
6	146P112	1	Shaft Assembly, Throttle
7	146P115	1	* Float Valve, Seat, and Gasket Assy.
8	146P113	1	Nozzle
10	146P111	1	* Shaft, Float
11	146P110	1	Float Assembly
12	146P109	2	Screw & Washer
13	146P116	1	* Needle, Idle (Incl. Spring)
14	146P139	1	Shaft Assembly, Choke
15	146P105	1	Valve, Choke
16	146P102	1	* Needle Assy., High Speed
17	146P121	1	Sprg., Throttle Stop Screw
18	146P120	1	Seal, "O" Ring - High Speed
19	146P114	1	Needle
20	146P117	1	Spring, Choke Stop
		1	Spring, High Speed Needle

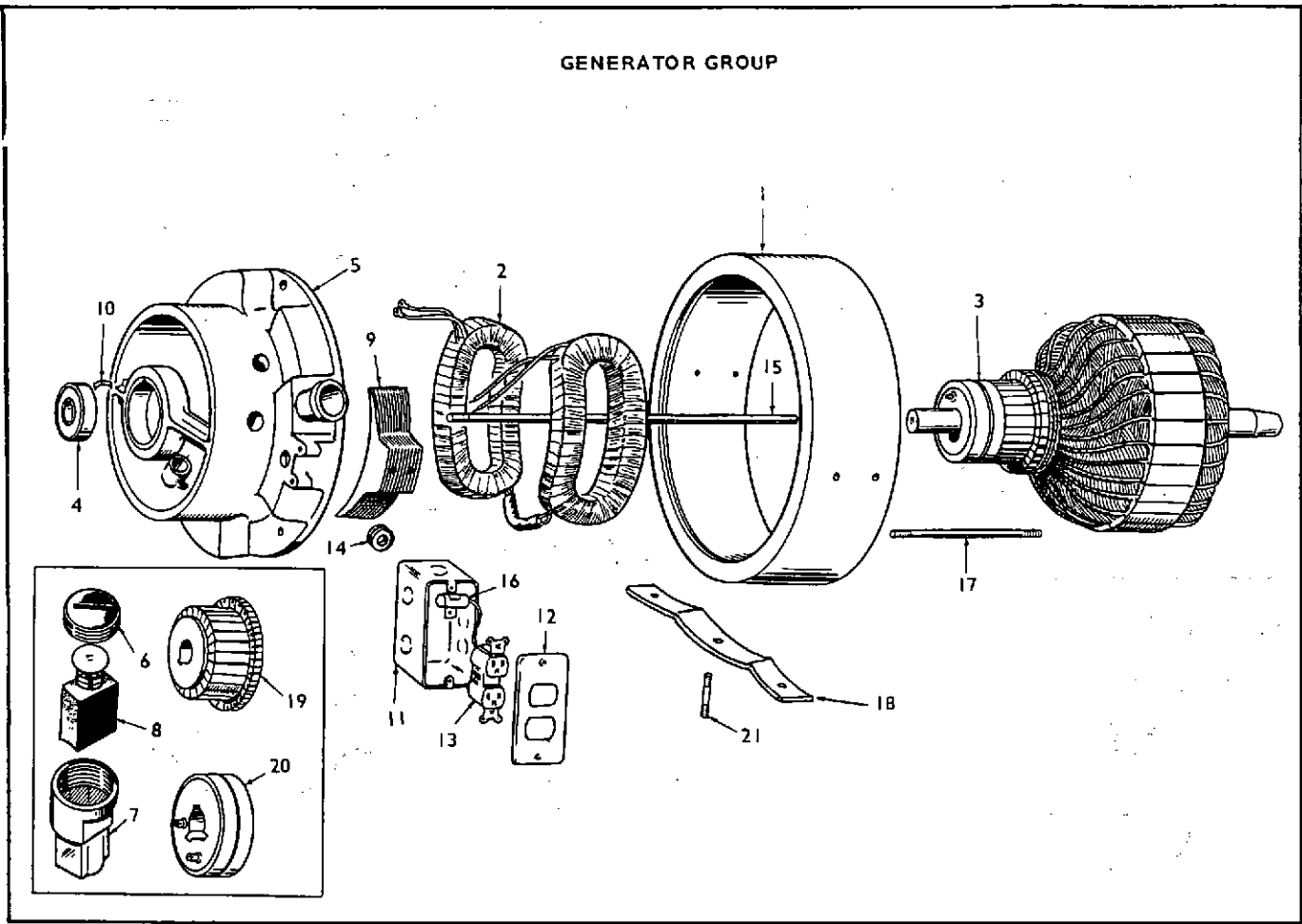
\* Parts Included in Repair Kit (146P123)



FUEL SYSTEM GROUP

REF. NO.	PART NO.	QTY. USED	PARTS DESCRIPTION	REF. NO.	PART NO.	QTY. USED	PART DESCRIPTIONS
1	146C138	1	Carburetor	14	149-150	1	Bowl, Fuel Filter
2	145A111	1	Gasket, Air Cleaner to Carb.	15	502-20	1	Elbow, Street (1/8" Pipe
3	145A110	1	Gasket, Spacing - Carb. Flange	16	149A149	1	Gasket, Filter Bowl
4	149B79	1	Filter, Fuel	17	149-202	1	Screen, Fuel Filter
5	149D1180	1	Pump, Fuel	18	865P21	1	Nut, Wing - Air Cleaner
6	149A3	1	Gasket, Pump Mounting	19	140A1020	1	Spacer, Air Cleaner
7	149A1110	1	Line, Fuel Pump to Carb.	20	505-671	1	Nipple, Pipe - Exhaust
8	502-3	2	Connector (1) Carb. In. (1) Pump Out.	21	505-51	1	Elbow, Street (3/4" x 90°)
9	502-2	1	Elbow, Filter Inlet	22	505-132	1	Elbow, Pipe (3/4" x 90°)
10	502-82	1	Nipple, Filter Mtg.	23	331-38	1	Locknut, Chase (3/4" Exhaust
11	140A1026	1	Cleaner, Air- Bottom	24	155B1006	1	Bracket, Exhaust Pipe
12	140B1021	1	Cover, Air Cleaner	25	141A78	2	Gasket, Carburetor Mtg.
13	140A1027	1	Element, Air Cleaner	26	526A63	2	Washer, Fuel Pump Mtg.
				27	140A1029	1	Retainer, Air Cleaner Element

### GENERATOR GROUP



REF. NO.	PART NO.	QTY. USED	PARTS DESCRIPTION	REF. NO.	PART NO.	QTY. USED	PARTS DESCRIPTION
1	210C411	1	Frame, Machined & Drilled - Less Coils & Poleshoes	9	221C156	2	Shoe, Pole
2	222-1700	1	Coil Assembly, Field (2 Coils wired together)	10	232A596	1	Clip, Bearing
3	201-1566	1	Armature Assy., Incl. Brg.	11	330A68	1	Box, Outlet
4	510A47	1	Bearing, Ball - Armature	12	330-16	1	Cover, Receptacle
5	211D173	1	Bell, End	13	323-184	1	Receptacle, Outlet
6	CAP, BRUSH HOLDER			14	508P148	1	Grommet, Outlet Box
	212A1219	2	DC Brush	15	520A698	1	Stud, Armature Through
	212A1217	4	AC Brush	16	312A180	2	Condenser, AC (0.1 Mfd.)
7	HOLDER, BRUSH			17	520-351	2	Stud, Generator Frame-to-Engine
	212A1218	2	DC Brush	18	403C864	1	Support, Gen. Mtg.
	212A1216	4	AC Brush	19	203A148	1	Commutator (DC)
8	BRUSH			20	204A9	1	Collector Ring (AC)
<i>SRS</i>	214A93-0160	2	DC	21	520A1703	1	Stud, Gen. Mtg. Support
	214A92	4	AC				

SPECIAL PARTS LIST FOR MODEL 2.5AJ-1E SPEC 6B20M  
 FOR STANDARD PARTS REFER TO CATALOG 924-1016 KEY NO. \_\_\_\_\_  
 OPTIONAL GROUPS IN CATALOG ARE LISTED BY GROUP NO. BELOW WHEN USED.  
 WD: 605-0083-01

PART NO.	QTY.	DESCRIPTION	PART NO.	QTY.	DESCRIPTION
----------	------	-------------	----------	------	-------------

MANUFACTURED FOR THE FORD MOTOR CO.

102-0689	2	Stiffner, Oil Pan			
110-1941	1	Block Assy, Cylinder (Refer to Standard Cylinder Block for Components)			
134-1934	1	Housing, Blower (Includes Rear Scroll)			
145-0469	1	Plate, Mtg -Carburetor			
214-0100	2	Brush, DC			
234-0497	1	Cover, End Bell			
307-1279	1	Valve, Fuel Solenoid			
323-0707	1	Receptacle, Duplex			
332-0527	2	Terminal, Wire (1 Coil Positive Lead, 1 on Suppression Condenser Mounting Screw)			
502-0082	2	Nipple, Pipe - Hex (1 Filter Inlet, 1 Filter Outlet)			
508-0026	1	Grommet, Rubber - Outlet Box			
509-0123	1	Seal, Oil - Crankshaft Rear			
520-0119	2	Stud, Engine - Mounting Bracket (3/8" x 1-9/16"LG)			