

---

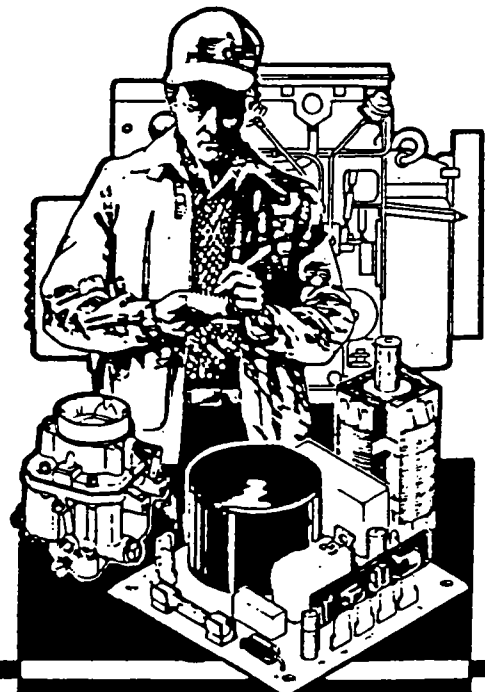
# Onan

## Parts Manual

### CCK

### GenSet

**RV Electric Generating Set**



**Onan Service Parts**

927-0220

4-89 (SPEC A-U)

Replaces 8-81 (SPEC A-U)

Printed in U.S.A.

## Index

Adapter, Control - Start 30,31  
Adapter, Filter - Oil (Optional) 34  
Adapter, Generator to Engine 11,25,26  
Adapter, Inlet - Carburetor 13  
Adapter, Plate - Coil 23  
Ammeter, DC 36,37  
Arm, Governor 11  
Arrestor, Spark 21  
Assembly, Block - Cylinder 7  
Assembly, Box - Breaker 23  
Assembly, Cover - Generator Fan 27  
Assembly, Cup - Air Cleaner 13  
Assembly, Float and Lever 19  
Assembly, Gearcase 11  
Assembly, Rig - Brush 25  
Assembly, Scroll (Optional) 35  
Assembly, Shaft - Choke 19  
Assembly, Sleeve - Choke 19  
Assembly, Stator - Wound 27  
  
Ball, Governor 5  
Band, Bell - End 25  
Base, Oil 9  
Bearing, Ball - Armature 25  
Bearing, Ball - Governor Shaft 11  
Bearing, Camshaft - Front & Rear 7  
Bearing, Crankshaft 7  
Bearing, Governor Shaft - Lower 11  
Bell, End 25,27  
Bi-Metal, Choke 17  
Block, Terminal 29  
Blower, Generator 25  
Booster, Speed - Vacuum 14,17  
Bowl, Filter - Fuel 17  
Box, Control (Spec A-Q) 29  
Box, Outlet 30,31  
Bracket, Cleaner - Air 13  
Bracket, Hanger - Muffler 21  
Bracket, Mounting - Coil 23  
Bracket, Mounting - Control 29,30,31  
Bracket, Mounting - Fuel Pump 17  
Bracket, Mounting - Resistor 27  
Bracket, Spring to Governor Link 14  
Bracket, Stud - Governor 11  
Bushing, Mounting - Oil System 9  
Bushing, Rubber - Ignition Coil 23  
  
Cable, Battery 21,29  
Cable, Jumper - Battery 21  
Cable, Plug - Spark 23  
Cap, Breather - Air Cleaner 13  
Cap, Tube - Breather 7  
Capacitor 23  
Carburetor, Gasoline 17,19  
Carburetor, Parts - Gasoline 19  
Cartridge, Cleaner - Air 13  
Choke, Bi-Metal 17  
Choke, Sisson 17  
Cleaner, Air 13  
Clip, Cotter 17  
Clip, Sensitivity Adjustment-Governor 11  
Coil, Ignition 23  
Commutator 25  
Condenser 29  
Control (Spec A-Q) 29  
Control (Spec R-T) 30  
Control (Begin Spec U) 31  
Control, Start - Remote (Optional) 36,37  
Cover, Bell - End 25  
Cover, Box - Outlet 30,31  
Cover, Canvas 32  
Cover, Cleaner - Air 13  
Cover, Coil 23  
Cover, Compartment - Valve 7  
  
Cover, Control 30  
Cover, Plug - Spark 23  
Crankshaft 4  
Cup, Governor 5  
Cup, Intake - Oil Pump 9  
Cushion, Vibration - Oil System 9  
  
Diode 36,37  
Diode, Rectifier 31  
  
Elbow, Make - Inverted 17  
Elbow, Outlet & Inlet - Fuel Pump 17  
Elbow, Street - Oil Line 7  
  
Fan, Generator 27  
Filter, Fuel 17  
Filter, Oil - Spin-on (Optional) 34  
Fly - Choke 19  
Flywheel 4  
Frame, Generator 25  
Fuse 30,31  
Fuseholder 30,31  
  
Gasket, Booster to Manifold 14  
Gasket, Bowl - Fuel Filter 17  
Gasket, Cap - Oil Fill 9  
Gasket, Carburetor 17  
Gasket, Cover - Valve 7  
Gasket, Diaphragm Plate 14  
Gasket, Gearcase 11  
Gasket, Head - Cylinder 7  
Gasket, Manifold - Intake & Exhaust 17  
Gasket, Mounting - Carburetor 19  
Gasket, Plate - Bearing 7  
Gasket, Oil Base 9  
Gear, Camshaft 5  
Gearcase 11  
Gear, Crankshaft 4  
Generator (Spec A-Q) 25  
Generator (Begin Spec R) 27  
Governor 11  
Grommet, Nylon 31  
Grommet, Rubber 29,31,35  
Guard, Outlet - Scroll 15,35  
Guide, Valve 7  
  
Harness, Wiring 27,29,30,31  
Head, Cylinder - Right & Left 7  
Hose, Cleaner - Air 13  
Housing, Blower 15  
Housing, Cylinder-Air - Right & Left 15  
Hub, Drive 27  
Hub, Governor Cup 5  
  
Insert, Valve Seat - Exhaust 7  
  
Joint, Ball - Governor 11  
Jumper, Block - Load Terminal 29  
  
Key, Gear Mounting - Camshaft 5  
Key, Woodruff - Crankshaft 4  
Kit, Booster - Vacuum Speed 14  
Kit, Breather King 7  
Kit, Decal 32  
Kit, Gasket - Carbon Removal 32  
Kit, Gasket - Carburetor 19  
Kit, Gasket - Engine 32  
Kit, Gasket - Oil Pump 9  
Kit, Governor Cup 5  
Kit, Key 4  
Kit, Modification - Exhaust 21  
Kit, Replacement - Diaphragm 14  
Kit, Tune Up - Ignition 23

## Index

- Link, Governor Arm to Carburetor 11
- Linkage, Choke 17
- Lock, Gear Washer - Crankshaft 4
  
- Manifold, Intake & Exhaust 17
- Meter, Condition - Battery 36,37
- Meter, Time - Running 36,37
- Muffler, Arrestor - Spark 21
- Muffler, Exhaust 21
  
- Optional Parts Section 33
  
- Paint, Touch-Up 32
- Panel, Control 36,37
- Pin, Alignment 11
- Pin, Center - Camshaft 5
- Pin, Cotter 14
- Pin, Piston 12
- Pin, Roll - Generator Frame 25
- Pin, Vent - Booster 14
- Plate, Bearing - Rear 7
- Plate, Diaphragm 14
- Plate, Fly Ball - Governor 5
- Plate, Mounting - Oil System 9
- Plug, Button - Dot 15
- Plug, Expansion 7
- Plug, Outlet - Adapter 34
- Pump, Fuel - Electrical 17
- Pump, Oil 9
  
- Relay, Armature 31
- Rectifier 27,29,37
- Regulator, Voltage 29
- Relay, Choke 4
- Relay, Current - Reverse 29
- Relay, Solenoid 31
- Relay, Stop 29
- Relief, Strain - Cable 30
- Resistor, Adjustable 29
- Resistor, Fixed 27,29
- Ring, Collector 25
- Ring, Retainer - Camshaft 5
- Ring, Retainer - Piston Pin 12
- Ring Set, Piston 12
- Rod, Connecting 12
- Rope, Starting 4
- Rotors 25,27
  
- Seal, Air 34
- Seal, Oil 7,11
- Seal, Scroll - Blower 15
- Screen, Cleaner - Air 13
- Screen, Filter - Fuel 17
- Scroll, Air 15
- Scroll, Baffle - Air 25
- Shaft, Governor 11
- Sheave, Rope 4
- Shield, Tube - Exhaust 21
- Sleeve, Air Cleaner 13
- Snubber, Shock Mounting - Oil System 9
- Solenoid, Start 29,30
- Spacer, Flyball - Governor 5
- Spacer, Mounting - Scroll 15
- Spring, Valve 7
- Spring, Valve - Bypass 9
- Strap, Ground 35
- Stud, Speed Adjusting - Governor 11
- Support, Generator 27
- Switch, Temperature - High (Optional) 35
- Switch, Toggle 29
- Switch, Pressure - Low Oil 9
- Switch, Stop 15
- System, Exhaust 21
- Swivel, Linkage - Choke 17
- System, Fuel 17
- System, Ignition 23
- System, Oil 9
  
- Tappet, Valve 7
- Terminal, Solderless 31
- Terminal, Spade 17
- Tie, Cable 31
- Tube, Breather 7
- Tube, Drain - Oil 34
- Tube, Exhaust 21
  
- Valve, Bypass 9
- Valve, Check - Breather 7
- Valve, Exhaust - Rotocap 7
- Valve, Intake & Exhaust 7
- Valve, Solenoid - Electric 17
- Voltmeter 36,37
  
- Wheel, Blower 4
- Wrapper, End Bell 27
  
- Yoke, Shaft - Governor 11

## Introduction

This catalog applies to the standard Recreational Vehicle Generator Sets as listed below. Parts are arranged in groups of related items. Each illustrated part is identified by a reference number corresponding to the same reference number in the parts list for that group. Parts illustrations are typical. Using the Model and Spec No. from the nameplate, select the Parts Key No. (1,2, etc. in the last column) that applies to your set Model and Spec No. This Parts Key No. represents parts that differ between models. Unless otherwise mentioned in the description, parts are interchangeable between models. Right and left sides are determined by facing the blower end (front) of the engine.

### Generator Set Data Table

MODEL AND SPEC §	TYPE	ELECTRICAL DATA					PARTS KEY NO.
		WATTS	VOLTS	HERTZ	WIRE	PHASE	
3.5CCK-53CR/*	Remote	3500	120/240	50	4**	1	1
4.0CCK-1R/*	Remote	4000	120	60	2	1	1
4.0CCK-3R/*	Remote	4000	120/240	60	3	1	
4.0CCK-3CR/*	Remote	4000	120/240	60	4**	1	
5.0CCK-1R/*	Remote	5000	120	60	2	1	2
5.0CCK-3R/*	Remote	5000	120/240	60	3	1	
5.0CCK-3CR/*	Remote	5000	120/240	60	4**	1	

\* - The Specification Letter advances (A to B, B to C, etc.) with manufacturing changes.

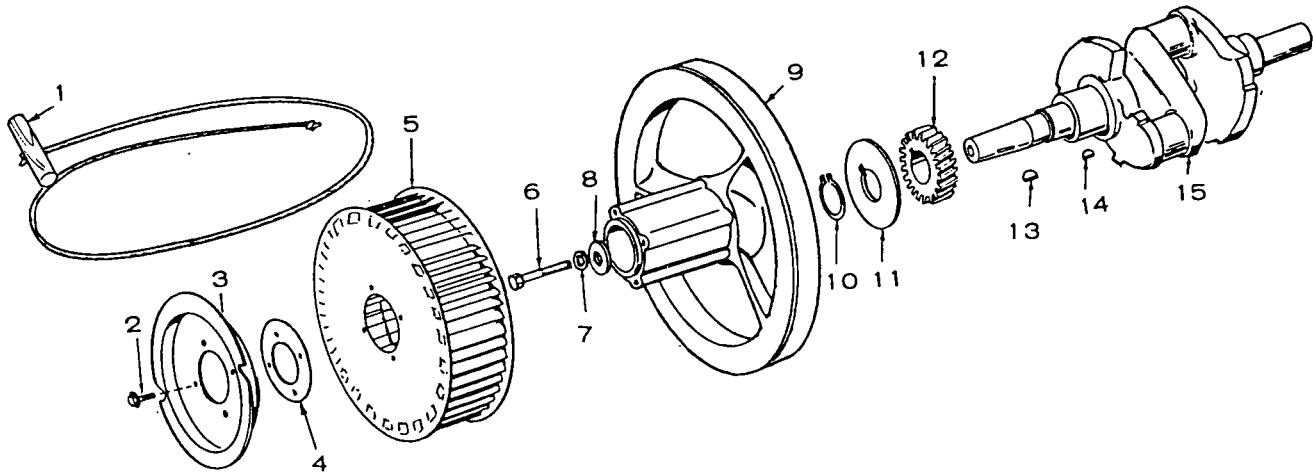
\*\* - Set is reconnectible for 120 volt, 2 wire; 240 volt, 2 wire or 120/240 volt, 3 wire service.

NOTE: The letter R in MODEL and SPEC denotes electric start with start-stop at both the set and the remote control.

### NOTICE!

Items referenced as **OPTIONAL** indicate part is factory installed and may not be applicable to all models. For field conversions additional parts are usually required.

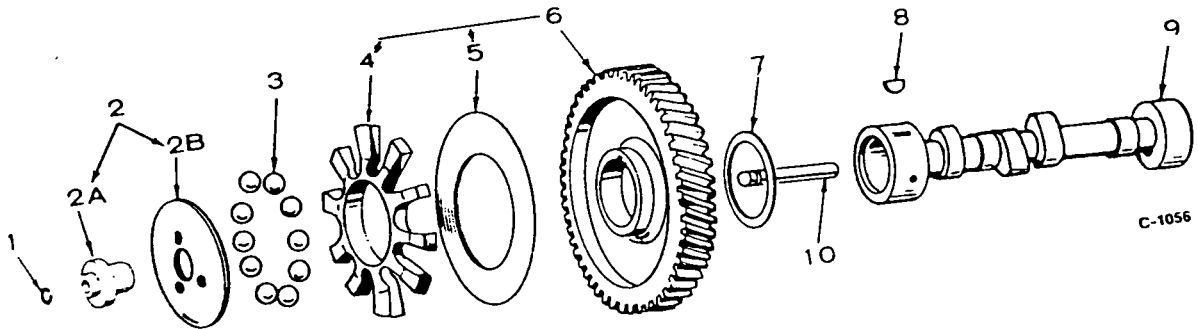
## Crankshaft and Flywheel



REF NO.	PART NO.	QTY USED	PART DESCRIPTION	REF NO.	PART NO.	QTY USED	PART DESCRIPTION
1	192-0083	1	Rope, Manual Starting	9	104-0499	1	Flywheel
2	821-0018	4	Screw, Self-Locking - Hex Washer Head (1/4-20 x 5/8") Used with Rope Sheave	10	518-0014	1	Lock, Crankshaft Gear Washer
	821-0010	4	Screw, Self-Locking - Hex Washer Head (1/4-20 x 1/2") Used when no Rope Sheave	11	104-0043	1	Washer, Crankshaft Gear Retainer
3	192-0272	1	Sheave, Rope (Early Models)	12	104-0032	1	Gear, Crankshaft
4	134-0911	1	Plate, Blower Wheel - Spec A through M	13	515-0227	1	Kit, Key
5	134-0565	1	Wheel, Blower	14	515-0001	1	*Key, Woodruff
6	104-0170	1	Screw, Wheel Mounting (Special)	15			Crankshaft (Includes Parts Marked *)
7	850-0055	1	Washer, Lock (7/16")		104-1323	1	Spec A Through I
8	526-0017	1	Washer, Flat (15/32" ID x 1-1/4" OD x 1/4" Thk)		104-1323	1	Spec U Sets Prior to Serial #H760159789
					104-1346	1	Spec U Sets Begin Serial #H760159789

\* - Parts Included in 104-1346, 104-1313 Crankshaft Kits.

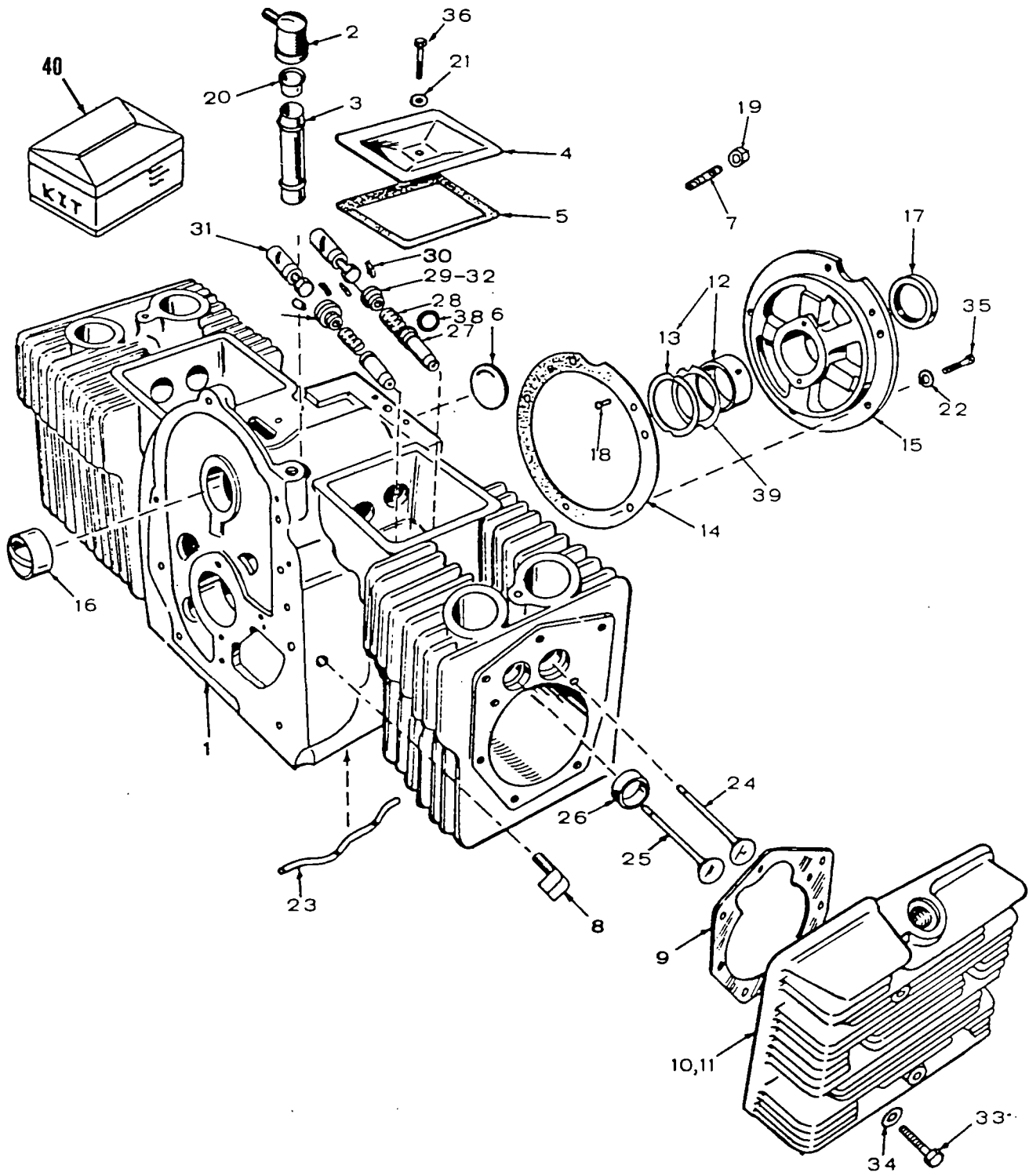
## Camshaft



REF NO.	PART NO.	QTY USED	PART DESCRIPTION	REF NO.	PART NO.	QTY USED	PART DESCRIPTION
1	150-0078	1	Ring, Retaining	6	105-0332	1	Gear, Camshaft (Includes Spacer and Plate)
2	150-1695	1	Kit, Governor Cup (Includes Parts Marked *)	7	105-0541	1	Washer, Thrust
2A	150-1519	1	*Hub, Governor Cup	8	515-0001	1	Key, Camshaft Gear Mounting
2B	150-1520	1	*Cup, Governor	9	105-0140	1	Camshaft - Key 1 and 2 (Includes Center Pin)
3	510-0015	10	Ball, Governor	10	150-0075	1	Pin, Camshaft Center
4	150-1257	1	Spacer, Governor Flyball				
5	150-0077	1	Plate, Governor Flyball				

\* - Parts Included in 150-1695 Governor Cup Kit.

# Cylinder Block



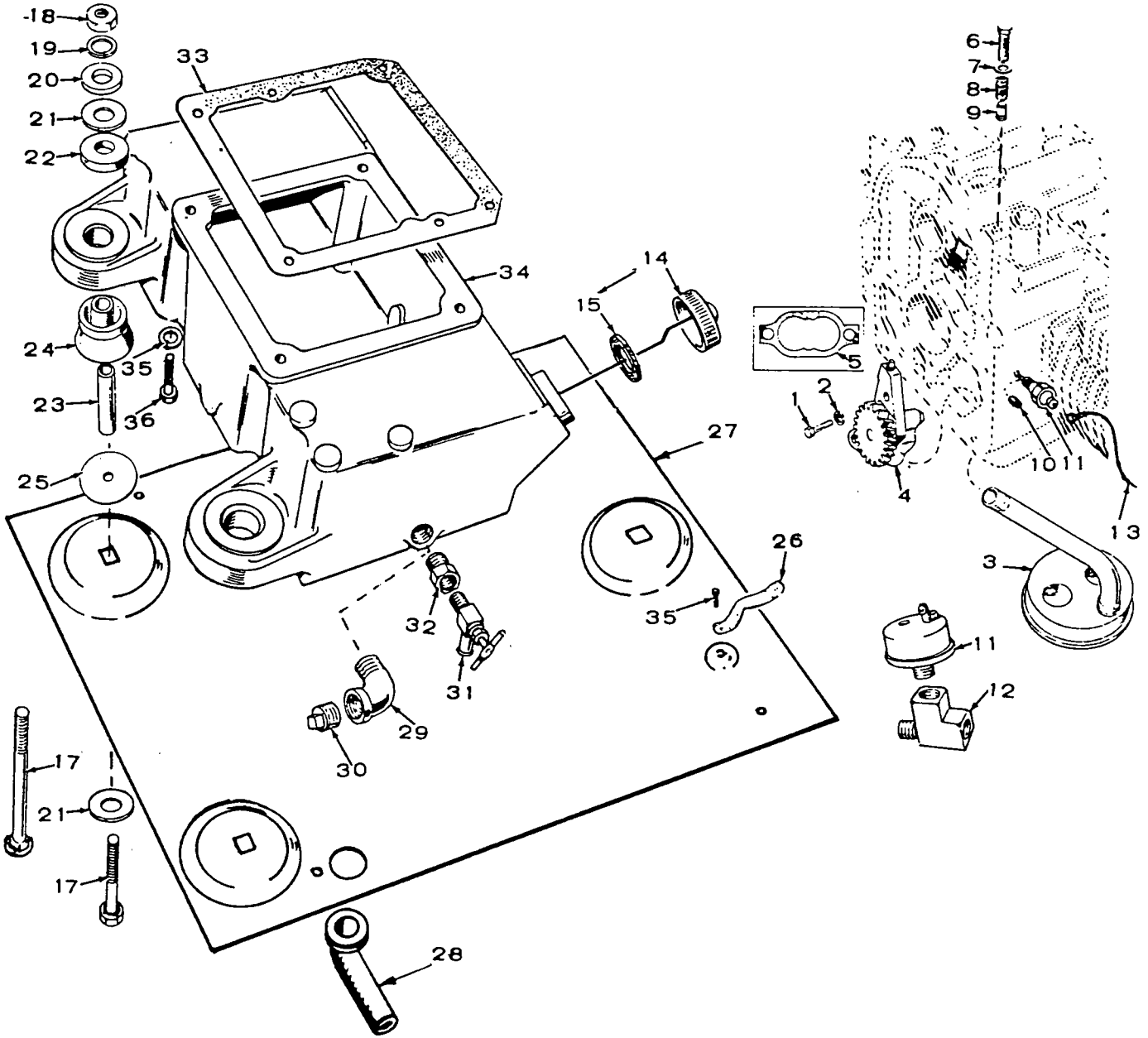
## Cylinder Block

REF NO.	PART NO.	QTY USED	PART DESCRIPTION	REF NO.	PART NO.	QTY USED	PART DESCRIPTION
1	110-0915	1	Block Assembly, Cylinder (Includes Parts Marked *)	26			*Insert, Exhaust Valve Seat - Chrome Cobalt Alloy
2		1	Cap, Breather (See Air Cleaner Group)	110-0872	2		Standard
3	123-0129	1	Tube, Breather (Includes Steel Baffles)	110-0872-02	2		.002" Oversize
4	110-0666	2	Cover, Valve Compartment	110-0872-05	2		.005" Oversize
5	110-0667	2	Gasket, Valve Cover	110-0872-10	2		.010" Oversize
6	517-0048	1	*Plug, Camshaft Expansion	110-0872-25	2		.025" Oversize
7	520-0114	5	*Stud, Rear Bearing Plate Mounting	27	110-0902	4	*Guide, Valve
8	502-0020	1	Elbow, Street - Oil Line	28	110-0539	4	Spring, Valve
9	110-0892	2	Gasket, Cylinder Head	29	110-0893	2	Washer, Valve Spring Retainer - Intake - Prior to Serial #355651, During Spec R
10	110-0890	1	Head, Cylinder - Right - #2 Cylinder	30	110-0639	8	Lock, Valve and Spring Retainer
11	110-0891	1	Head, Cylinder - Left - #1 Cylinder	31	115-0006	4	Tappet, Valve Standard
12			*Bearing, Crankshaft (Front or Rear)	31	115-0006-05	4	.005" Oversize
	101-0450	2	* Standard	32			Rotocap
	101-0450-02	2	.002" Undersize		110-0904	2	Exhaust Valve
	101-0450-10	2	.010" Undersize		110-0904	2	Intake Valve - Begin Serial #355651, During Spec R
	101-0450-20	2	.020" Undersize	33			Screw, Cap - Hex Head (Hardened)
	101-0450-30	2	.030" Undersize		110-0879	8	Cylinder Head - Special
13	104-0575	2	*Washer, Crankshaft Bearing Thrust		114-0022	10	Cylinder Head - Special
14	101-0115	1	Gasket Kit, Bearing Plate (Kit #168-0103)	34	526-0122	18	Washer, Flat (11/32" ID x 23/32" OD x 0.1345" Thk)
15	101-0316	1	*Plate, Bearing (Excludes Bearing)	35	800-0512	5	*Screw, Cap - Hex Head - Special, Begin Spec R (Grade 8)
16	101-0367	2	*Bearing, Camshaft Front or Rear (Precision) Note: Units with Hi-Lift Cam Use 101-4056)	36	800-0012	2	Screw, Cap - Hex Head (1/4-20 x 2-1/4")
17	509-0041	1	Seal, Bearing Plate	38	110-3136	2	*Gasket, Intake Valve Guide (To stop oil seepage)
18	516-0072	4	*Pin, Main Bearing Stop	39	104-0776	1	Shim, Crankshaft Thrust Bearing
19	110-0445	5	*Nut, Bearing Plate Stud	40	123-1600	1	Kit, Breather King (Optional) (Includes Breather Hose Insulation, Breather Insulator, Governor Control Rod, Cable Ties and Instruction Sheet)
20	123-0104	1	Valve, Breather Tube				
21	526-0063	2	Washer, Flat - Copper (17/64 ID x 17/16 OD x 1/32" Thk)				
22	850-0045	5	*Washer, Lock (5/16") - Rear Bearing Plate				
23	120-0386	1	*Tube, Crankcase Oil				
24	110-0881	2	Valve, Intake (Steel)				
25	110-0880	2	Valve, Exhaust - Chrome Cobalt Alloy				

\* - Parts Included in 110-0915 Block Assembly.



# Oil System and Mounting Plate



## Oil System and Mounting Plate

REF NO.	PART NO.	QTY USED	PART DESCRIPTION	REF NO.	PART NO.	QTY USED	PART DESCRIPTION
1	800-0007	2	Screw, Cap - Hex Head (1/4-20 x 1")	24	402-0283	2 #§†	Cushion, Vibration Engine End Generator End
2	850-0040	2	Washer, Lock - Spring (1/4")				
3	120-0400	1	Cup, Oil Pump Intake	402-0284	1 *	1	Begin Spec U
4	120-0491	1	Pump, Oil (Internal Parts Not Sold Separately)	402-0283	2 §	2	Serial #355652 During Spec R through Spec T
5	120-0161	1	Gasket Kit - Oil Pump	402-0284	2 †	2	Spec A through Serial #355651 During Spec R
6	801-0048	1	Screw, Cap - Hex Head (3/8-24 x 3/4")	25	526-0195	4	#Washer, Flat (29/64" ID x 3-1/4" OD x 1/8" Thk) - Specs A through T
7	526-0066	1	Washer, Flat - Copper (25/64" ID x 9/16" OD x 1/16" Thk)	26	337-0122	1	Strap, Ground
8	120-0140	1	Spring, Oil Bypass Valve	27			Plate, Mounting
9	120-0398	1	Valve, Oil Bypass		403-1258	1	Begin Spec U
10	505-0057	1	Plug, Pipe - 1/8 NPT		403-0986	1	Specs R through T - Optional
11			Switch, Low Oil Pressure - Optional		403-0933	1	Specs A through Q - Optional
	309-0010	1	Used Prior to Serial #355651 During Spec R	28	122-0345	1	Hose, Oil Drain - Optional
	309-0237	1	Used Starting with Serial #355651 During Spec R	29	505-0050	1	Elbow, Pipe - Street - Spec A through Serial #355651 during Spec R
12	502-0058	1	Tee, Pipe - 1/8 NPT - Optional	30	505-0056	1	Plug, Pipe - Spec A through Serial #355651 during Spec R
13			Lead, Electrical - Optional (Used with LOPKO Switch)	31	504-0092	1	Valve, Oil Drain - Begin Serial #355652 during Spec R
	336-2139	1	Spec A Through T	32	505-0019	1	Bushing, Pipe - Begin Serial #355652 during Spec R
	336-2379	1	Begin Spec U				
14	123-0489	1	Cap and Indicator, Oil Fill	33	102-0158	1	Gasket, Oil Base
15	123-0191	1	Gasket, Oil Fill Cap	34	102-0579	1	Base, Oil
17			Bolt, Carriage (7/16-14 x 3-1/2")	35	850-0050	4	Washer, Lock - Spring (3/8")
	816-0206	3 *	Begin Spec U	36	102-0455	4	Screw, Cap - Hex Head - Special Mounting Cushion Package
	816-0206	4 §†	Specs A through T - Optional				
17A	800-0082	4 #	Screw, Cap - Hex Head (7/16-14 x 3-3/4") Specs A through T		402-0435	1	Begin Spec U (Includes Parts Marked *)
18			Nut, Hex (7/16-14)		402-0373	1	Serial #355652 During Spec R through Spec T with Mounting Plate - Optional (Includes Parts Marked †)
	862-0004	3 *	Begin Spec U				
	862-0004	4 #§†	Specs A through T				
19			Washer, Lock - Spring (7/16")		402-0372	1	Spec A through Serial #355651 During Spec R with Mounting Plate - Optional (Includes Parts Marked §)
	850-0055	3 *	Begin Spec U				
	850-0055	4 #§†	Specs A through T				
20			Washer, Flat (29/64" ID x 1-1/2" OD x 1/8" Thk)		402-0364	1	Hardware Package, Mounting Spec A through T - Excludes Cushions (Includes Parts Marked #)
	526-0014	3 *	Begin Spec U				
	526-0014	4 #§†	Specs A through T				
21			Washer, Flat (5/8" ID x 1-1/2" OD x 1/16" Thk)				
	526-0198	6 *	Begin Spec U				
	526-0198	8 #†	Specs A through T				
22			Snubber, Rubber				
	402-0282	3 *	Begin Spec U				
	402-0282	4 #§†	Specs A through T				
23			Bushing, Sleeve				
	402-0290	3 *	Begin Spec U				
	402-0290	4 #§†	Specs A through T				

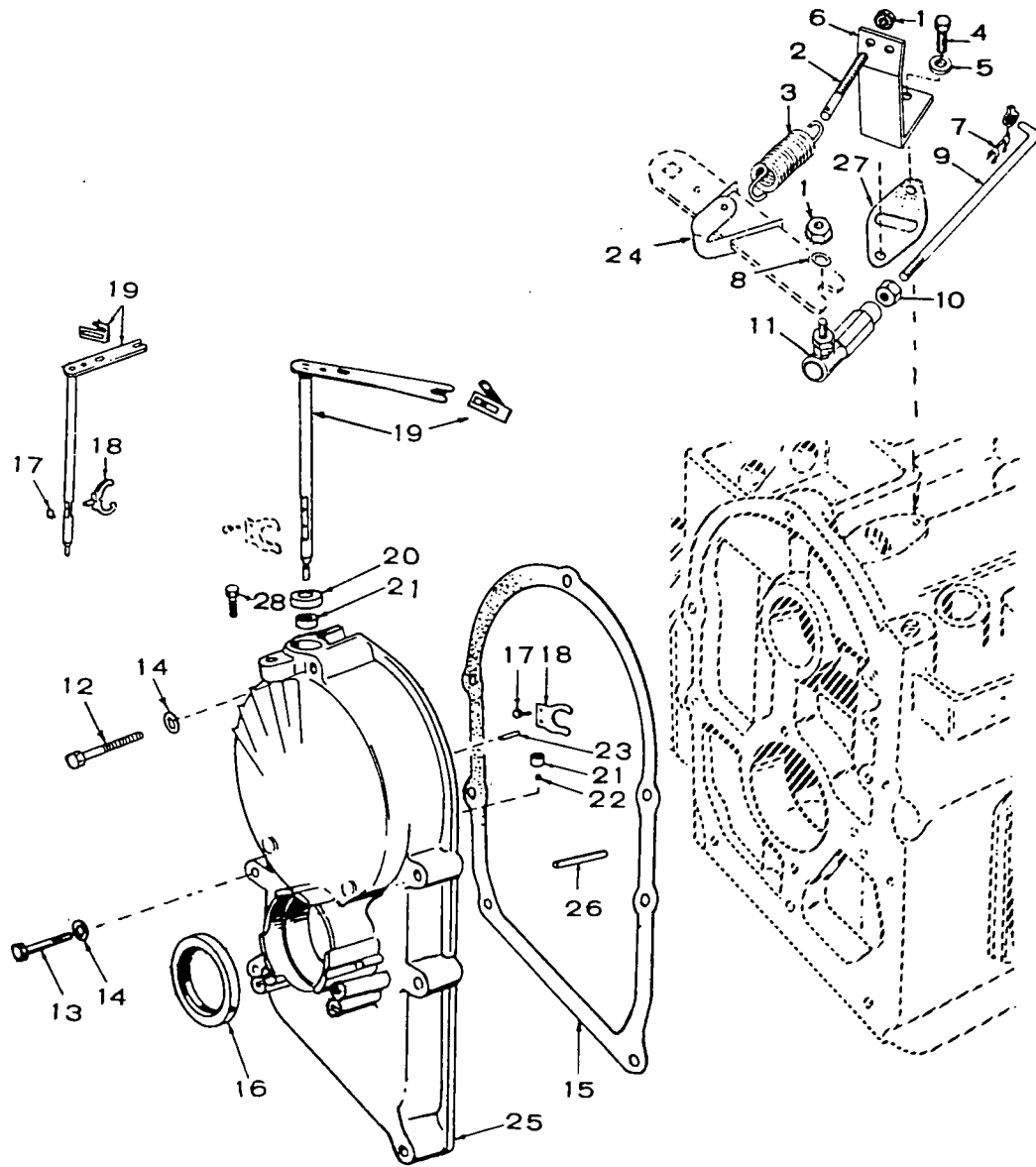
\* - Parts Included in 402-0435 Mounting Cushion Package.

§ - Parts Included in 402-0372 Mounting Cushion Package.

† - Parts Included in 402-0373 Mounting Cushion Package.

# - Parts Included in 402-0364 Mounting Cushion Package.

# Gearcase and Governor



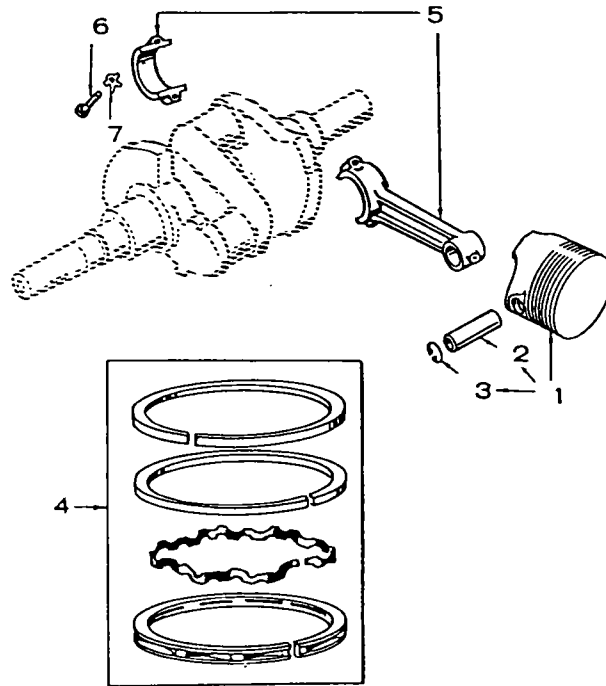
### Gearcase and Governor

REF NO.	PART NO.	QTY USED	PART DESCRIPTION	REF NO.	PART NO.	QTY USED	PART DESCRIPTION
1	870-0131	2	Nut, Self-Locking, Hex (1/4-20)	19			Shaft and Arm Assembly, Governor (Includes Adjusting Clip)
2	150-0096	1	Stud, Governor Speed Adjusting		150-0710	1	* Spec A through M
3	150-0098	1	Spring - Governor		150-1286	1	* Spec N through T
4	800-0004	2	Screw, Cap - Hex Head (1/4-20 x 5/8")		150-1564	1	* Begin Spec U
5	526-0063	2	Washer, Flat - Copper (17/64" ID x 7/16" OD x 1/32" Thk)	20	509-0008	1	*Seal, Oil - Governor Shaft Bearing, Needle
6	150-1577	1	Bracket, Governor	21	510-0013	1	* Upper - Governor Shaft
7	518-0006	1	Clip, Retaining - Rod End		510-0008	1	* Lower - Spec A through T
8	526-0196	1	Washer, Flat - Aluminum (7/32" ID x 7/16" OD x 1/8" Thk)		510-0013	1	* Lower - Begin Spec U
9	150-0629	1	Rod, Link - Governor Arm to Carburetor	22	510-0014	1	*Bearing, Ball
10	870-0053	1	Nut, Hex (#10-32)	23	516-0130	1	*Pin, Straight, Headless
11	150-0639	1	Ball, Joint	24	150-0678	1	*Clip, Adjusting - Governor Gearcase Assembly (Includes Parts Marked *)
12	800-0034	1	Screw, Cap - Hex Head (5/16-18 x 2-1/4")	25			
13	800-0032	4	Screw, Cap - Hex Head (5/16-18 x 1-3/4")		103-0641	1	§ Spec A through M
14	850-0045	5	Washer, Lock - Spring (5/16")		103-0357	1	§ Spec N through T
15	103-0011	1	Gasket, Gearcase		103-0667	1	§ Begin Spec U
16	509-0040	1	*Seal, Oil - Crankshaft, Front Yoke Fasteners	26	516-0141	2	Pin, Straight, Headless - Governor Alignment
17	518-0129	1	* Ring, Retaining - Spec A through M	27	149-0003	1	Gasket - Fuel Pump Hole Cover
	815-0046	2	* Screw, Machine - Pan Head, Cross-Recessed (#8-32 x 3/8") Begin Spec N	28	815-0261	1	*Screw, Self Tapping - Hex Head (1/4-20 x 1/2" Lg)
18	150-0620	1	Yoke, Governor Shaft				
	150-1187	1	* Spec A through M				
			* Begin Spec N				

\* - Included in Gearcase Assembly, as applicable to respective Spec usage.

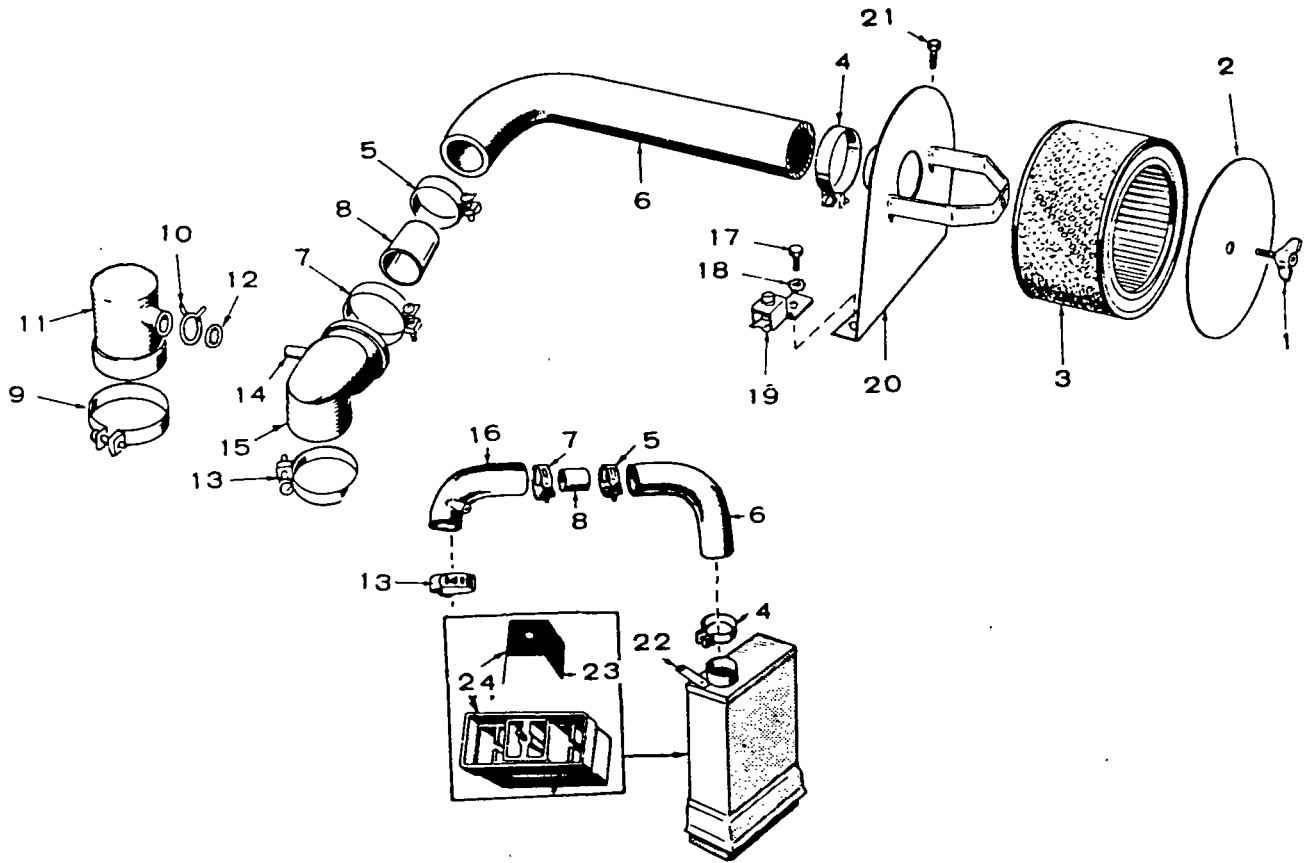
§ - Furnish Model, Specification and Serial Numbers from Onan Nameplate when ordering these parts.

## Piston and Rod



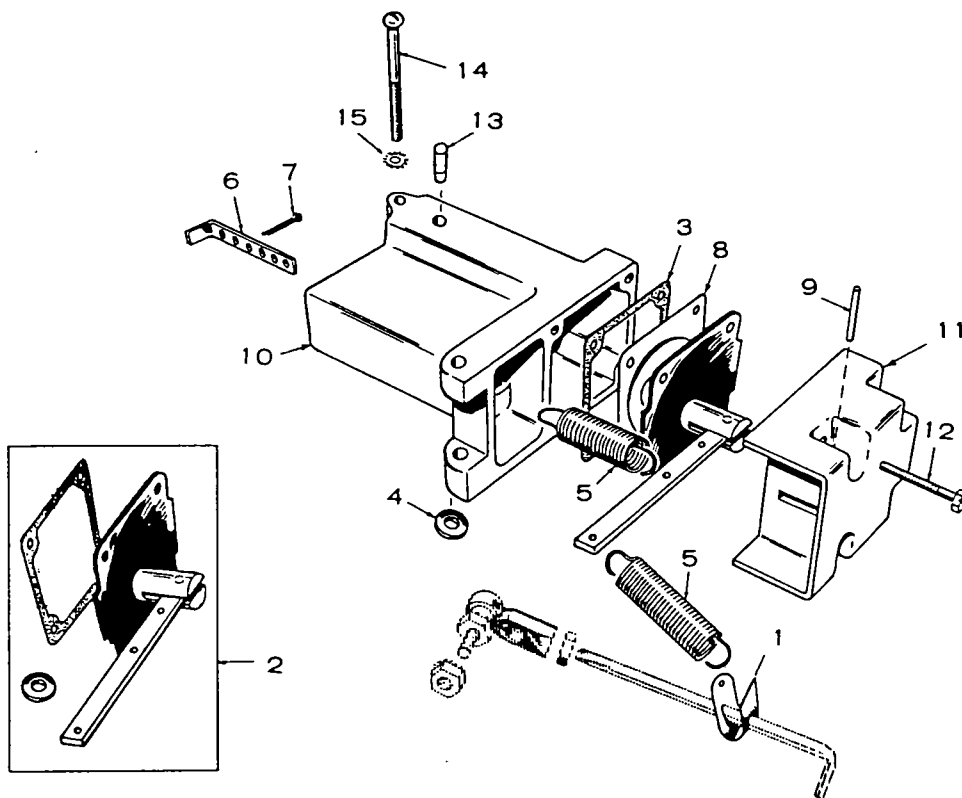
REF NO.	PART NO.	QTY USED	PART DESCRIPTION	REF NO.	PART NO.	QTY USED	PART DESCRIPTION
1			Piston (Includes Pin and Retaining Rings)	5			Rod, Connecting (Includes Screw and Lock)
	112-0179	2	Standard		114-0098	2	Standard
	112-0179-05	2	.005" Oversize		114-0098-10	2	.010" Undersize
	112-0179-10	2	.010" Oversize		114-0098-20	2	.020" Undersize
	112-0179-20	2	.020" Oversize		114-0098-30	2	.030" Undersize
	112-0179-30	2	.030" Oversize	6	800-0548	4	Screw, Connecting Rod Cap - Special
	112-0179-40	2	.040" Oversize	7	114-0059	4	Washer, Connecting Rod - Cap Screw Lock
2	112-0069	2	Pin, Piston				
3	112-0003	4	Ring, Retaining				
4			Ring Set, Piston				
	113-0152	2	Standard				
	113-0152-05	2	.005" Oversize				
	113-0152-10	2	.010" Oversize				
	113-0152-20	2	.020" Oversize				
	113-0152-30	2	.030" Oversize				
	113-0152-40	2	.040" Oversize				

# Air Cleaner



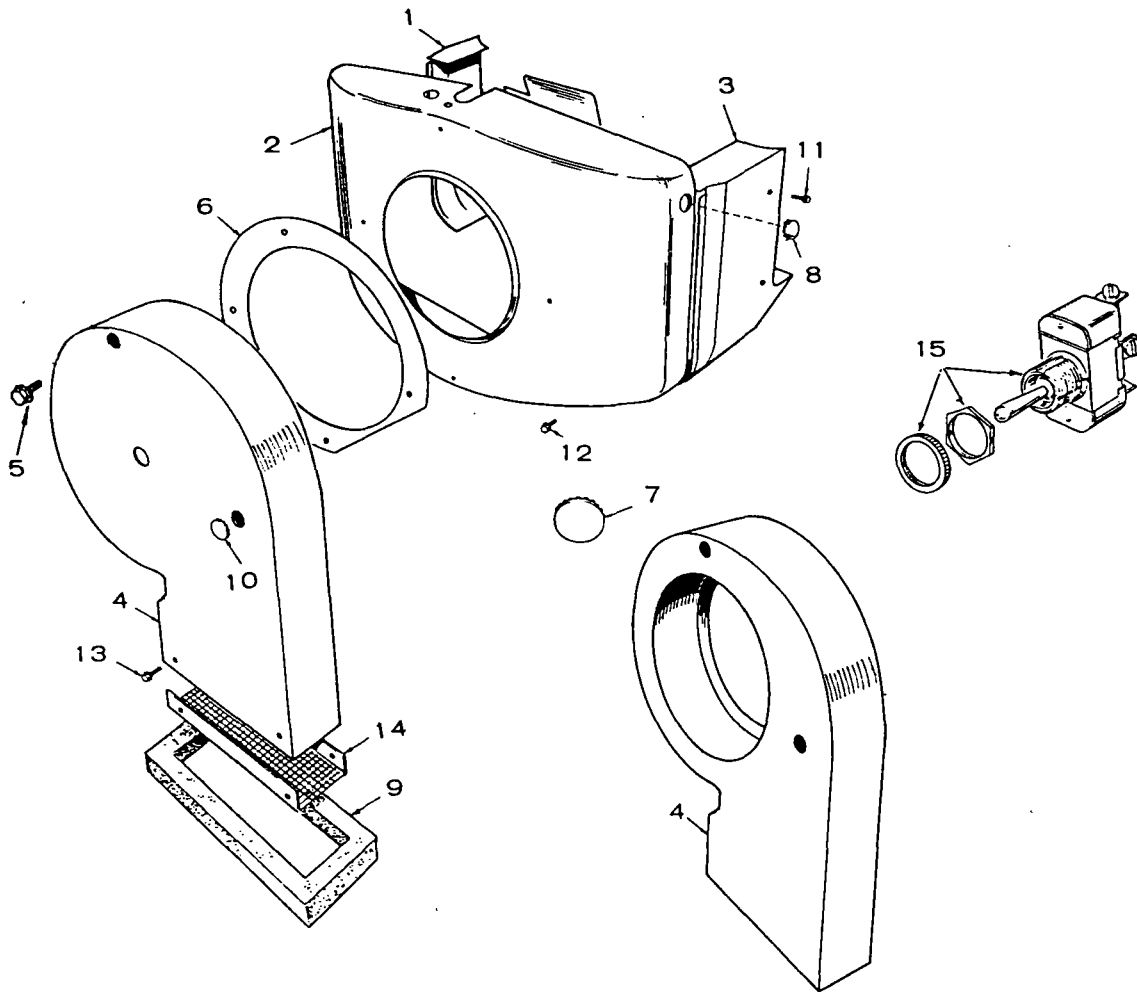
REF NO.	PART NO.	QTY USED	PART DESCRIPTION	REF NO.	PART NO.	QTY USED	PART DESCRIPTION
1	518-0056	1	Screw, Wing - Air Cleaner - Begin Spec R	13		1	Clamp, Hose
2	140-1153	1	Cover, Air Cleaner - Begin Spec R	503-0107		1	1-5/8" - Begin Spec R
3	140-0495	1	Cartridge, Air Cleaner - Begin Spec R	503-0280		1	1-3/4" - Spec A through Q
4			Clamp, Hose	14	123-0292	1	Adapter, Tube - Breather Hose
	503-0311	1	2-1/8" - Begin Spec R	15	145-0094	1	Adapter, Inlet - Carburetor Air - Begin Spec R
	503-0280	1	1-3/4" - Spec A through Q	16	140-0693	1	Adapter, Inlet - Carburetor Air - Spec A through Q
5			Clamp, Hose	17	821-0010	1	Screw, Self-Locking - Hex Washer Head (1/4-20 x 1/2")
	503-0004	1	1-7/8" - Begin Spec R	18	856-0006	1	Washer, Lock - External/Internal Tooth (1/4")
	503-0280	1	1-3/4" - Spec A through Q	19	332-0142	1	Terminal, Lug - Ground
6			Hose, Reformed - Air Cleaner	20	140-1173	1	Bracket, Air Cleaner - Begin Spec R
	503-0643	1	Begin Spec R	21	821-0009	1	Screw, Self-Locking - Hex Washer Head (1/4-20 x 3/8")
	503-0480	1	Spec A through Q	22	140-0692	1	Cleaner, Air - Spec A through Q (Includes Screen and Cap)
7	503-0280	1	Clamp, Hose (1-3/4")	23	140-0068	1	Screen, Air Cleaner - Spec A through Q
8	140-0211	1	Sleeve, Air Cleaner Hose	24	140-0403	1	Cup Assembly, Air Cleaner - Spec A through Q (Includes Screen)
9	503-0107	1	Clamp, Hose (1-5/8")				
10	503-0769	1	Clamp, Hose (21/32")				
11	123-0293	1	Cap, Breather (Premolded Rubber)				
12	851-0009	1	Washer, Lock - Internal Tooth (3/8")				

## Vacuum Speed Booster - Key 1,2



REF NO.	PART NO.	QTY USED	PART DESCRIPTION	REF NO.	PART NO.	QTY USED	PART DESCRIPTION
	150-0433	1	Kit, Vacuum Speed Booster Replacement (Includes External Spring and Mounting Gasket)	8	150-0666	1	Plate, Diaphragm
1	150-0430	1	Bracket, Spring to Governor Link	9	516-0085	1	Pin (3/32 x 3/4") - Diaphragm Lever Pivot
2	150-0434	1	Kit, Diaphragm Replacement (Includes Gaskets)	10		1	Housing, Vacuum Booster (Not Sold Separately)
3	150-0668	1	Gasket, Diaphragm Plate	11		1	Cover, Vacuum Booster Housing (Not Sold Separately)
4	150-0425	1	Gasket, Booster to Manifold	12	815-0148	4	Screw, Machine - Hex Head, Slotted (#8-32 x 7/8")
5	150-0366	2	Spring, Internal and External	13	150-1352	1	Pin, Vent
6	150-0376	1	Bracket, Internal Spring Adjustment	14	813-0110	2	Screw, Machine - Round Head (#10-32 x 2")
7	516-0039	1	Pin, Cotter (3/32 x 5/8") - Adjustment Bracket	15	853-0008	2	Washer, Lock - External Tooth (#10)

## Air Housing (Vacu-Flo Cooling)

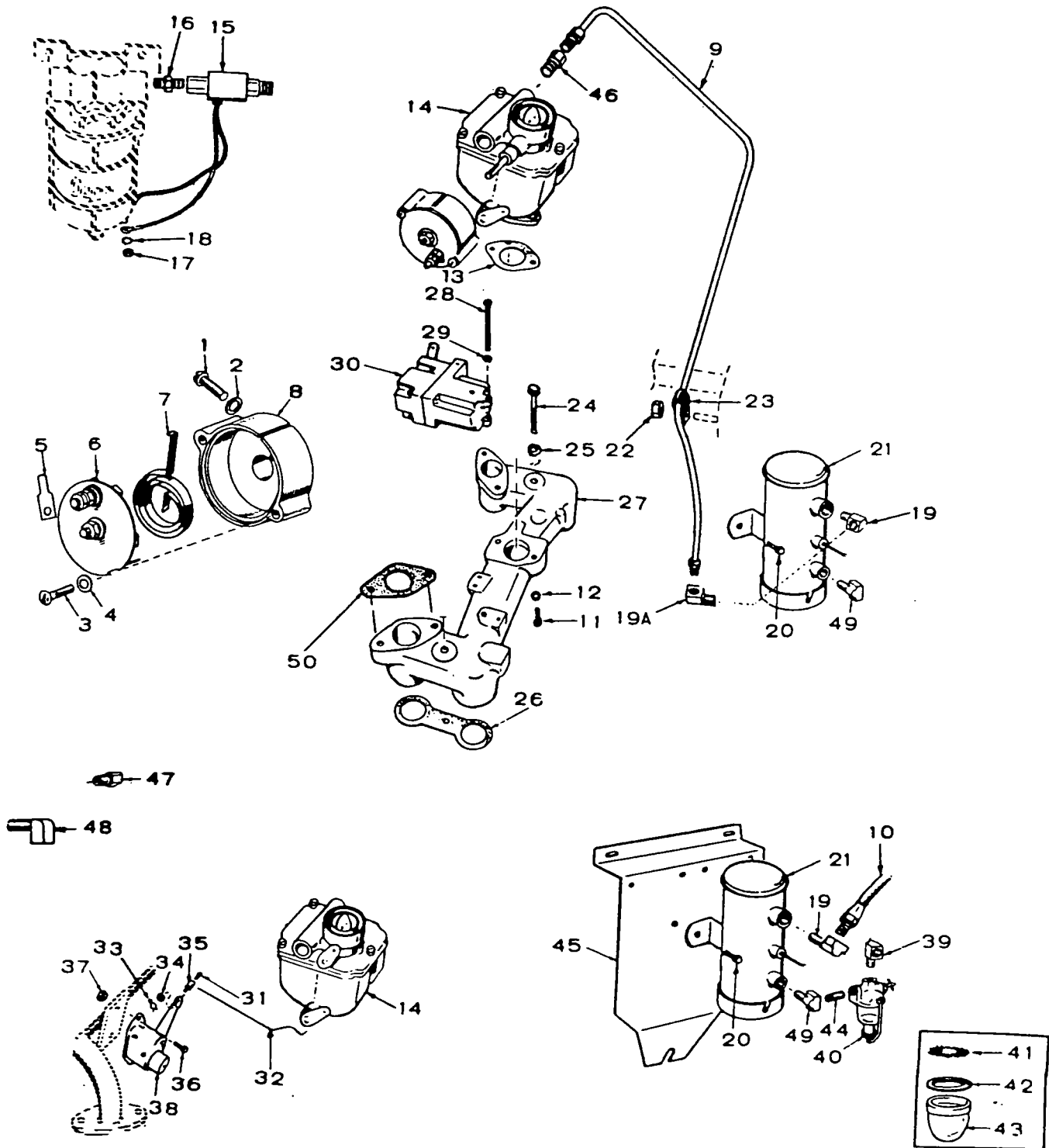


REF NO.	PART NO.	QTY USED	PART DESCRIPTION	REF NO.	PART NO.	QTY USED	PART DESCRIPTION
1	134-0589	1	Housing, Cylinder Air - Left (#1 Cylinder)	6	134-0761	1	Spacer, Scroll Mounting - Closed Type
2	134-1572	1	Housing, Blower	7	517-0009	1	Plug, Dot Button (2") - Spec A through M
	134-2102	1	Begin Spec N - Without Spin-on Oil Filter	8	517-0035	1	Plug, Dot Button (1-1/16")
3			Housing, Cylinder Air - Right (#2 Cylinder)	9	134-2112	1	Seal, Blower Scroll - Begin Spec P
	134-1591	1	Sets Without Spin-on Oil Filter	10	517-0021	2	Plug, Dot Button (7/8") - Air Scroll
	134-2237	1	Sets With Spin-on Oil Filter	11	815-0261	5	Screw, Tapping - Hex Washer Head (1/4-20 x 7/16")
4			Scroll, Air (Includes Parts Marked *)	12	821-0010	2	Screw, Self-Locking - Hex Washer Head (1/4-20 x 1/2")
	134-3041	1	Spec A through N - With Rope Sheave Opening	13	815-0421	4	*Screw, Tapping - Hex Head with External Tooth Lock-washer (#10-16 x 1/2")
	134-3050	1	Spec A through N - Without Rope Sheave Opening	14	134-2956	1	*Guard, Scroll Outlet
	134-3042	1	Begin Spec P - With Rope Sheave Opening	15	308-0097	1	Switch, Stop - Unit with Rope Sheave Only
	134-3032	1	Begin Spec P - Without Rope Sheave Opening				
5	821-0009	4	Screw, Self-Locking - Hex Washer Head (1/4-20 x 3/8")				

\* - Parts Included in Air Scroll Assembly 134-3032, 134-3041, 134-3042, and 134-3050.



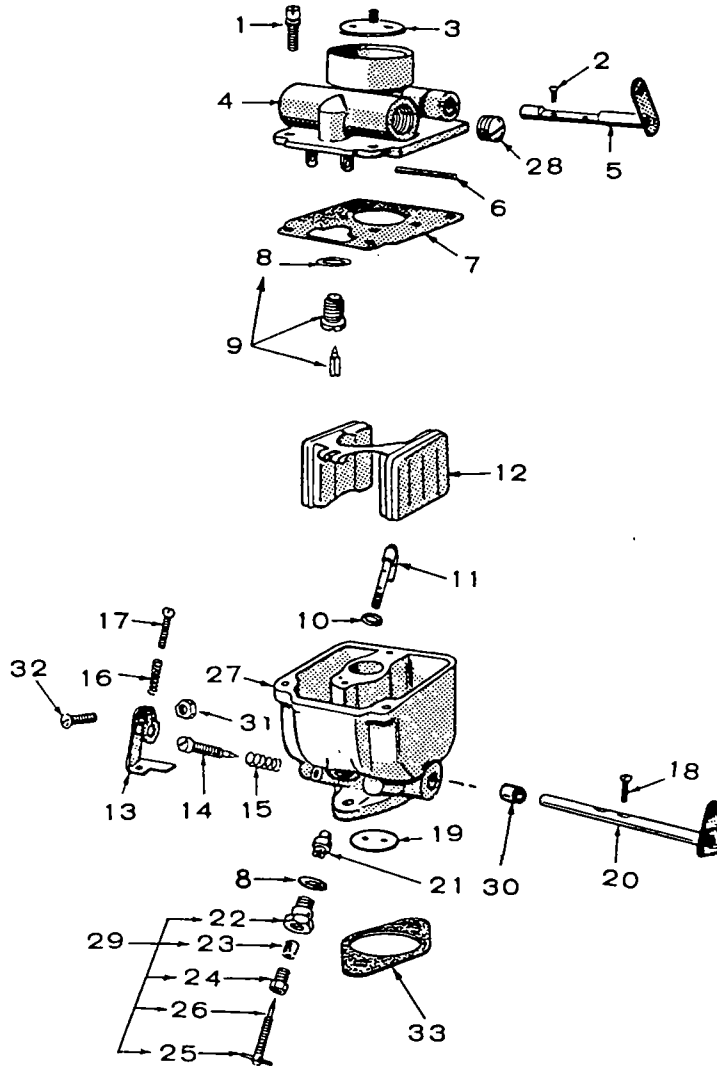
# Fuel System



## Fuel System

REF NO.	PART NO.	QTY USED	PART DESCRIPTION	REF NO.	PART NO.	QTY USED	PART DESCRIPTION
1	815-0110	1	Screw, Machine - Fillister Head (#10-32 x 7/8") - Begin Spec U	27	154-0356	1	Manifold, Intake Key 1, Begin Spec U (Without Vacuum Booster)
2	850-0030	1	Washer, Lock - Spring (#10) - Begin Spec U		154-0383	1	Key 1, Specs A through U (With Vacuum Booster)
3	815-0285	2	Screw, Machine - Round Head (#8-32 x 5/16" Lg)		154-0383	1	Key 2 (With Vacuum Booster)
4	526-0062	2	Washer, Flat - Brass (0.2" ID x 1/2" OD x 1/16" Thk) - Begin Spec U	28	813-0110	2	Screw, Machine - Round Head (#10-32 x 2") - Key 1, Specs A through T and all Key 2
5	332-0527	1	Terminal, Spade - Begin Spec U	29	853-0008	2	Washer, Lock - ET (#10) - Key 1, Specs A through T and all Key 2
6	153-0114	1	Element and Cover - Begin Spec U	30	150-0433	1	Booster, Vacuum - Speed - Key 1, Specs A through T and all Key 2 (Includes External Spring and Mounting Gasket)
7		1	Bi-Metal, Choke - Begin Spec U				
8	153-0058	1	Housing, Choke - Begin Spec U				
9		1	Line, Fuel Pump to Carburetor (Metal)	31	815-0104	1	Screw, Machine - Fillister Head (#8-32 x 5/16") - Specs A through T
	149-1554	1	Begin Serial #1770265208 During Spec U				
	149-1417	1	Spec U through Serial #1770265207	32	153-0361	1	Linkage, Choke - Specs A through T
10			Line, Fuel Pump to Carburetor (Flexible)	33	516-0059	1	Clip, Cotter - Specs A through T
	501-0197	1	Spec N through T	34	526-0006	1	Washer, Flat (15/64" ID x 1/2" OD x 3/64" Thk) - Specs A through T
	501-0007	1	Spec A through M				
11	800-0009	2	Screw, Cap - Hex Head (1/4-20 x 1-1/2")	35	152-0155	1	Swivel, Choke Linkage - Specs A through T
12	850-0040	2	Washer, Lock - Spring (1/4")	36	815-0315	2	Screw, Cap - Hex Head (1/4-20 x 1/2") - Specs A through T
13	141-0078	1	Gasket, Carburetor				
14			Carburetor, Gasoline (Includes Mounting Gasket) - See Separate Group for Components	37	860-0013	2	Nut, Hex (1/4-20) Specs A through T
	142-0646	1	Begin Spec U (Electric Choke)	38	153-0223	1	Choke, Sisson - Spec A through T
	142-0645	1	Specs A through T (Sisson Choke)				
15	307-1279	1	Valve, Solenoid - Electric - Spec A through Serial #177026520T During Spec U	39	502-0002	1	Elbow, Inverted Male - Specs A through Q
16	502-0082	1	Nipple, Pipe - Hex - Serial #0575948597 During Spec R through Serial #1770265207 During Spec U	40	149-0079	1	Filter, Fuel (Complete) - Specs A through Q
17	860-0008	1	Nut, Hex (#8-32) Serial #0575948597 During Spec R through Serial #1770265207 During Spec U	41	149-0202	1	Screen, Fuel Filter - Specs A through Q
				42	149-0149	1	Gasket, Fuel Filter - Specs A through Q
18	850-0025	1	Washer, Lock - Spring (#8) - Serial #0575948597 During Spec R through Serial #1770265207 During Spec U	43	149-0150	1	Bowl, Fuel Filter - Specs A through Q
19			Elbow, Fuel Pump Outlet	44	502-0082	1	Nipple, Pipe - Specs A through Q
	502-0002	1	Begin Spec N	45			Bracket, Fuel Pump Mounting Specs N through Q
	502-0020	1	Spec A through M		160-1109	1	Specs N through Q
19A	502-0196	1	Elbow, Fuel Pump Outlet - Begin Serial #1770265208 During Spec U		160-0763	1	Specs A through M
				46	502-0003	1	Connector, Inverted Male - Begin Spec U
20	821-0009	2	Screw, Cap - Hex Head Locking (1/4-20 x 5/8")	47	502-0065	1	Elbow, Inverted Male - 45° - Carburetor Inlet - Serial #355651 During Spec R through Spec T
21	149-1830	1	Pump, Fuel - Electric				
22	862-0015	1	Nut, Hex (.5/16-18) - Begin Spec U	48	502-0002	1	Elbow, Inverted Male - 90° - Carburetor Inlet - Spec A through Serial #355650 During Spec R
23	518-0350	1	Clamp, Lock - Insulated - Begin Spec U	49			Elbow, Fuel Pump Inlet Inverted Male (90°) - Begin Serial #1770265208 During Spec U
24	800-0054	2	Screw, Cap - Hex Head (3/8-16 x 2")		502-0020	1	Street (90°) - Spec A through Serial #0575948596 During Spec R
25	850-0050	2	Washer, Lock - Spring (3/8")	50	154-0360	2	Gasket, Exhaust Manifold Mounting
26	154-0013	2	Gasket, Intake Manifold				

# Carburetor Parts

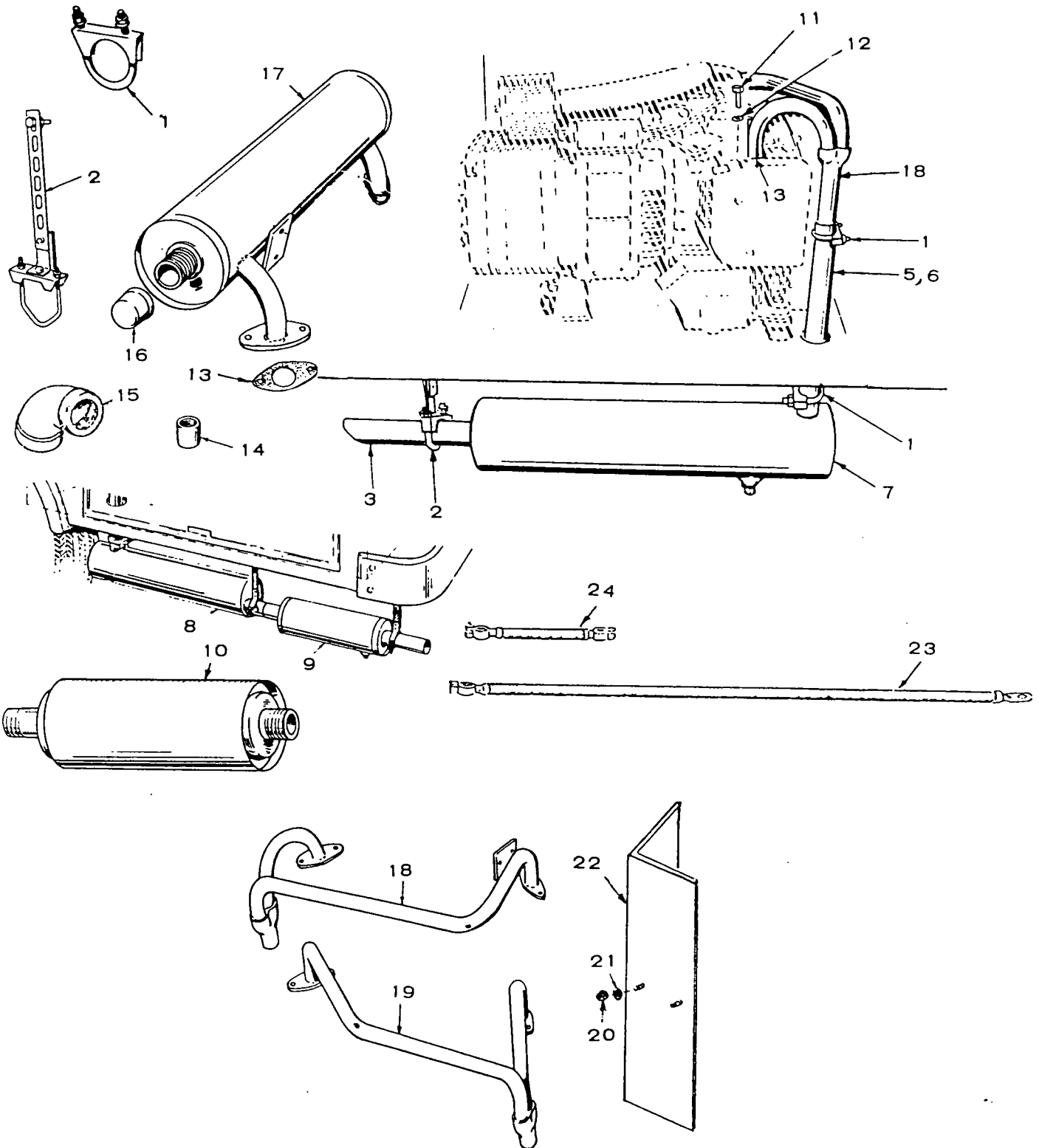


## Carburetor Parts

REF NO.	PART NO.	QTY USED	PART DESCRIPTION	REF NO.	PART NO.	QTY USED	PART DESCRIPTION
	142-0646	1	Carburetor, Gasoline Begin Spec U (Electric Choke)	14	142-0040	1	**Needle, Idle Adjusting
	142-0645	1	Specs A through T (Sisson Choke)	15	142-0282	1	Spring, Idle Needle Adjusting
	142-0033	1	** Gasket Kit, Carburetor (Includes Parts Marked *)	16	142-0035	1	Spring, Throttle Stop Adjusting Screw
	142-0371	1	Repair Kit, Carburetor (Includes Parts Marked **)	17	812-0063	1	Screw, Machine - Round Head (#6-32 x 1/2")
1			Screw, Machine - Fillister Head	18	815-0072	2	**Screw, Machine - Oval Head (#4-40 x 1/4")
	815-0103	1	#10-24 x 1/2" - Units with Sisson Choke	19	142-0369	1	Fly, Throttle
	815-0109	2	#10-24 x 5/8"	20	142-0368	1	Shaft Assembly, Throttle
2	815-0091	2	**Screw, Machine - Fillister Head (#4-40 x 3/16")	21	142-0370	1	Nut and Jet, Nozzle
3			Fly, Choke	22	142-0046	1	Retainer, Main Adjusting Needle
	142-0055	1	Units with Sisson Choke	23	142-0206	1	**Packing, Main Adjusting Needle
	142-0037	1	Units with Electric Choke	24	142-0045	1	Retainer, Main Adjusting Needle Package
4	142-0205	1	Sleeve Assembly, Choke (Cover)	25	516-0027	1	Pin, Main Adjusting Needle
5			Shaft Assembly, Choke	26	142-0041	1	**Needle, Main Adjusting
	142-0217	1	Units with Sisson Choke	27		1	Body Assembly (Not Sold Separately)
	142-0183	1	Units with Electric Choke	28	505-0008	1	Plug, Gas Inlet
6	142-0039	1	**Shaft, Float	29	142-0042	1	Needle Assembly (Includes Packing, Nut and Retainer)
7	142-0031	1	*Gasket, Body to Bowl	30	142-0343	2	Bushing, Throttle Shaft
8	148-0017	2	*Gasket, (1) Float Valve Seat, (1) Main Adjusting Needle Retainer	31	870-0053	1	Nut, Hex (#10-32)
9	142-0049	1	**Valve and Seat Assembly	32	813-0103	1	Screw, Machine - Round Head (#10-32 x 3/4")
10	142-0032	1	*Gasket, Nozzle	33	141-0078	1	*Gasket, Carburetor Mounting
11	142-0285	1	Nozzle Assembly				
12	142-0361	1	Float and Lever Assembly				
13	145-0008	1	Lever, Throttle Stop				

\* - Parts Included in Gasket Kit #142-0033.  
 \*\* - Parts Included in Repair Kit #142-0371.

# Exhaust System

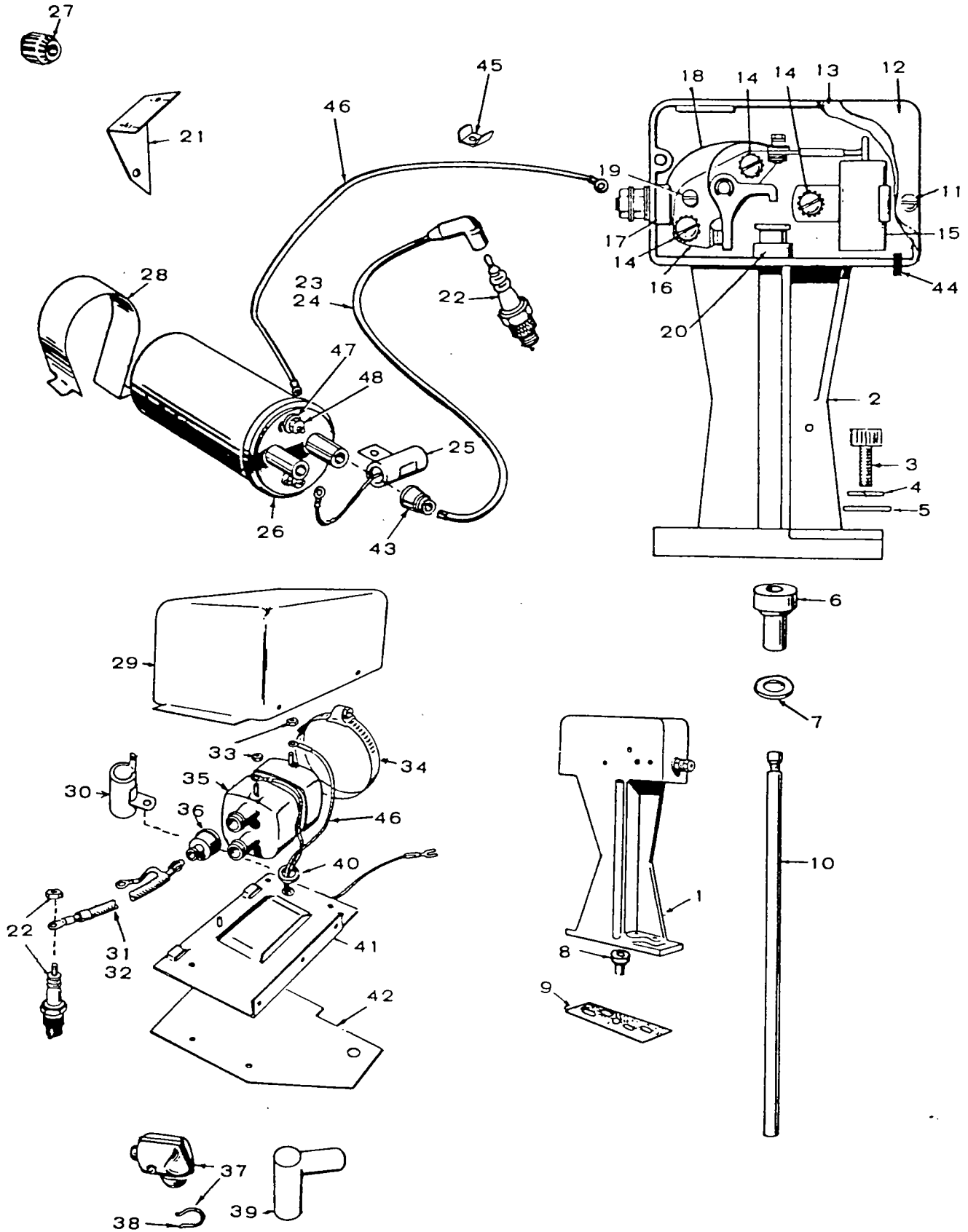


## Exhaust System

REF NO.	PART NO.	QTY USED	PART DESCRIPTION	REF NO.	PART NO.	QTY USED	PART DESCRIPTION
	155-1665	1	Modification Kit, Exhaust System - Spec A through Q (Includes Parts Marked *)	15		1	Elbow, Pipe 1" NPT x 90°
1	155-1239	3	*Clamp, Muffler (1-5/8")		505-0041	1	1" NPT x 90°
2	155-1234	1	*Bracket, Hanger - Muffler		505-0473	1	1-1/4" NPT x 1" NPT x 90°
3	155-1235	1	*Tube, Exhaust (1-1/2" x 19")	16	505-0479	1	Cap, Pipe - 1" NPT
4	155-1236	1	Tube, Exhaust - Curved (1-5/8" x 22")	17	155-0714	1	Manifold/Muffler, Exhaust - Spec A through Q
5	155-1240	1	Tube, Exhaust - Extension (1-5/8" x 15")	18		1	Manifold, Exhaust - Left Hand Down
6	154-1578	1	*Tube, Exhaust - Extension (1-5/8" x 18")		154-1522	1	* Spec R through T - With Choke Mounting Plate
7			Muffler/Spark Arrestor - Top Inlet		154-1841	1	Begin Spec U
	155-1258	1	21" Lg		154-1523	1	Spec R through T
	155-1520	1	*21.6" Lg		154-1840	1	Begin Spec U
8	155-1222	1	Muffler, Exhaust - Top Inlet	20	110-0445	2	*Nut, Hex (Special)
9	155-1254	1	Spark Arrestor	21	850-0045	2	*Washer, Lock - Spring (5/16")
10			Muffler, Exhaust	22	155-1380	1	*Shield, Exhaust Tube
	155-0076	1	16" Lg - 1" NPT	23		2	Cable, Battery 28" Lg
	155-0518	1	23" Lg - 1" NPT		416-0077	2	28" Lg
11	800-0028	4	*Screw, Cap - Hex Head (5/16-18 x 1")		416-0036	1	42-1/2" Lg
					416-0037	1	48-3/8" Lg
12	850-0045	4	*Washer, Lock - Spring (5/16")	24	416-0004	1	Cable, Jumper - Battery
13	154-0360	2	*Gasket, Exhaust Manifold				
14	505-0030	1	Coupling, Pipe - 1" NPT				

\* - Parts Included in Muffler Replacement Kit 155-1665.

# Ignition System



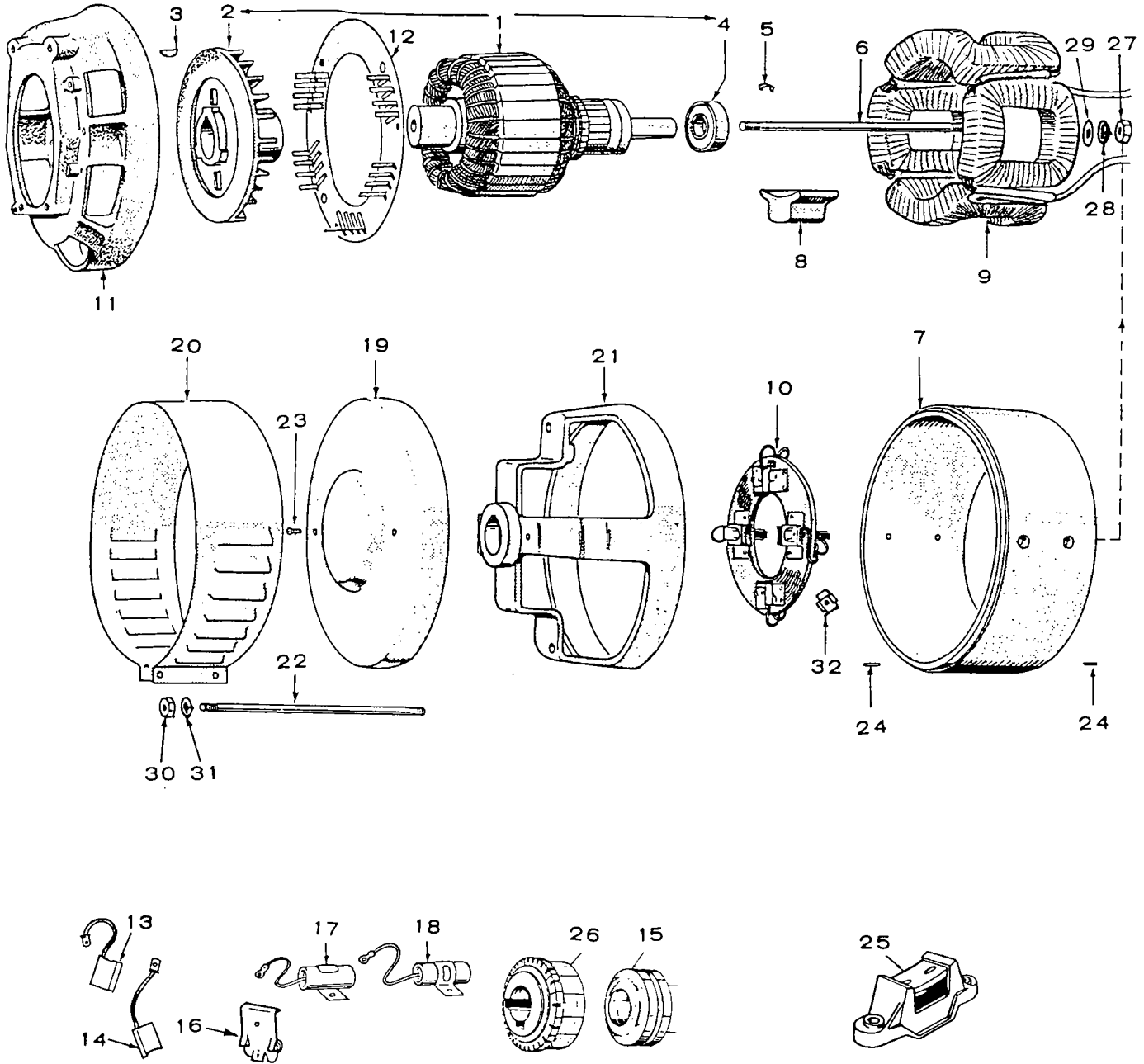
## Ignition System

REF NO.	PART NO.	QTY USED	PART DESCRIPTION	REF NO.	PART NO.	QTY USED	PART DESCRIPTION
1	160-0963	1	Box Assembly, Breaker - Spec A through Q (Includes Parts Marked *) - NOTE: For Complete Replacement Order #160-1135 Box Assembly	27	166-0604	2	Cap, Coil (Part of 166-0535 Coil used on Early Spec R Models)
2	160-1135	1	Box Assembly, Breaker - Begin Spec R (Includes Parts Marked *)	28	166-0588	1	Clamp, Coil - Begin Spec R
3	802-0035	2	**Screw, Cap - Socket Head (1/4-20 x 7/8")	29	166-0385	1	Cover, Coil - Spec A through Q
4	850-0040	2	**Washer, Lock - Spring (1/4")	30	312-0162	1	Capacitor (Noise Suppression) Spec A through Q
5	526-0214	2	**Washer, Flat (17/64" ID x 1/2" OD x 1/16" Thk)	31	167-1467	1	Cable, Spark Plug - Left Side - Spec A through Q (13" Lg)
6	160-1041	1	+Bushing, Breaker Box - Begin Spec R	32	167-1468	1	Cable, Spark Plug - Right Side - Spec A through Q (21-1/2" Lg)
7	160-1040	1	+Gasket, "O" Ring - Begin Spec R	33	870-0053	2	Nut, Hex (#10-32) - Spec A through Q
8	160-0929	1	*Bushing, Breaker Box - Spec A through Q	34	503-0514	1	Clamp, Coil - Spec A through Q
9	160-0043	1	*Gasket - Spec A through Q	35	166-0346	1	Coil, Ignition - Spec A through Q
10	160-0723	1	**Plunger	36	160-0558	2	Nipple, Rubber - Ignition Coil
11	812-0077	2	**Screw, Machine - Round Head (#8-32 x 3/8")	37	167-0067	2	Shield, Spark Plug - Spec A through Q (Includes Clamp)
12	160-0930	1	**Cover, Breaker Box	38	167-0064	2	Clamp, Spark Plug Shield - Spec A through Q
13	160-0150	1	**Gasket, Breaker Box Cover	39	166-0250	2	Cover, Spark Plug - Spec A through Q - Optional
14	815-0285	3	**Screw, Machine - Round Head with External Tooth Lock-washer (#8-32 x 5/16")	40	508-0114	1	Grommet, Rubber - Spec A through Q
15	312-0069	1	**Capacitor, Ignition (.3 Microfarad)	41	166-0383	1	Bracket, Mounting - Coil - Spec A through Q
16	160-0002	1	**Point Set, Ignition	42	166-0466	1	Adapter, Plate - Coil Mounting - Spec A through Q
17	160-0349	1	**Terminal Block	43	160-0558	2	Nipple, Spark Plug Cable
18	160-0428	1	**Strap - Point Set to Terminal Block	44	160-0261	1	Wick, Breaker Box
19	160-0075	1	**Pivot, Point Set	45	332-0319	1	Block, Terminal Mounting
20	160-0931	1	**Guide, Plunger	46	166-0702	1	Lead, Coil to Breaker Box (Kit) (Includes Parts Marked †)
21	166-0519	1	Bracket, Timing - Begin Spec N	47	850-2005	2	Washer, Lock (Metric)
22	167-0241	2	Non Resistor Type	48	166-0554	2	Nut, Hex (Metric)
	167-0237	2	Resistor Type		160-0836	1	Ignition Tune-Up Kit (Includes Parts Marked *)
23	167-1596	1	Cable, Spark Plug - Left Side - Begin Spec R (7-1/2" Lg)	49	166-0614	2	Bushing, Rubber (Inside Cap 166-0604)
24	167-1595	1	Cable, Spark Plug - Right Side - Begin Spec R (14-1/2" Lg)				
25	312-0027	1	Capacitor (Noise Suppression) - Begin Spec R				
26	166-0643	1	Coil, Ignition - Begin Spec R Late Model Units having Coil Cables with Rubber Nipples				
	166-0648	1	Units having Coil with Knurled Nuts for Cables (Includes 166-0643 Coil, Nipples and Terminal)				

\* - Parts Included in 160-0963 Breaker Box Assembly.  
+ - Parts Included in 160-1135 Breaker Box Assembly.  
† - Parts Included in 166-0702 Lead Assembly.  
\* - Parts Included in 160-0836 Ignition Tune-Up Kit.



Generator  
Spec A through Q

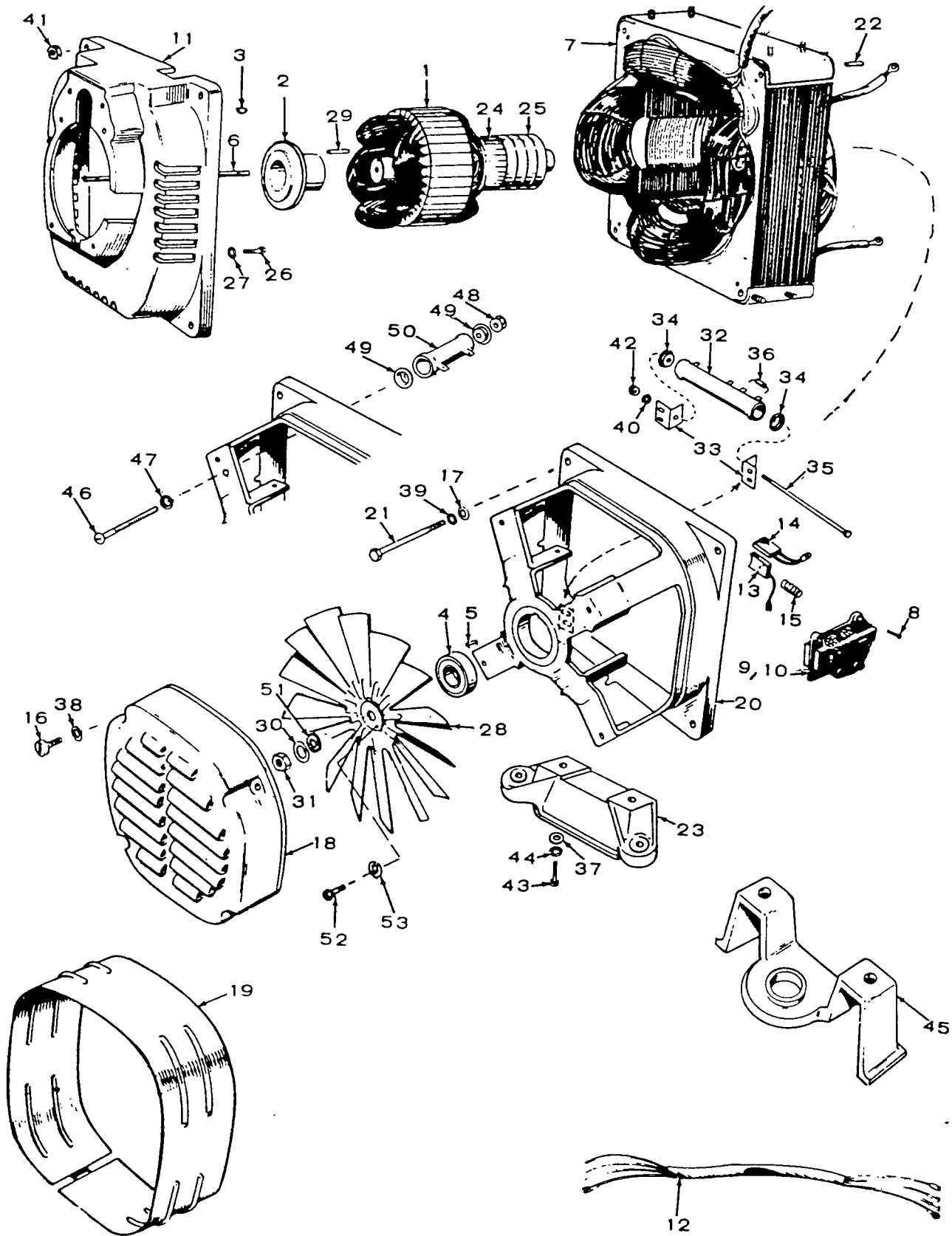


## Generator Spec A through Q

REF NO.	PART NO.	QTY USED	PART DESCRIPTION	REF NO.	PART NO.	QTY USED	PART DESCRIPTION
1			Rotor (Includes Parts Marked *)				Key 2
			Key 1	214-0056		4	120 Volt or 120/240 Volt (Reconnectible)
	201-0759	1	120 Volt	214-0056		3	120/240 Volt (Non-Reconnectible)
	201-0704	1	120/240 Volt (Non-Reconnectible)	15			Collector Ring (AC)
	201-1099	1	120/240 Volt (Reconnectible)	204-0009		1	120 Volt
			Key 2	204-0010		1	120/240 Volt (Non-Reconnectible)
	201-0758	1	120 Volt	204-0092		1	120/240 Volt (Reconnectible)
	201-0705	1	120/240 Volt (Non-Reconnectible)	16			Spring, Brush
	201-1098	1	120/240 Volt (Reconnectible)	212-1105		4	Commutator
				212-1105		4	Collector Ring, 120 Volt or 120/240 Volt (Reconnectible)
2	205-0053	1	*Blower, Generator	212-1105		3	Collector Ring, 120/240 Volt (Non-Reconnectible)
3	515-0006	1	*Key, Blower to Crankshaft				Condenser (.5 Mfd.) DC
4	510-0047	1	*Bearing (Ball) - Armature	17			120 Volt
5	232-0596	1	Clip, Bearing Stop	312-0017		1	120/240 Volt (Reconnectible and Non-Reconnectible)
6			Stud	312-0027		1	Condenser (.1 Mfd.) AC
			Key 1				120 Volt
	520-0491	1	120 Volt (7/16 x 14-1/2")	18			120/240 Volt (Reconnectible & Non-Reconnectible) - (7/16 x 15-7/8")
	520-0525	1	120/240 Volt (Reconnectible & Non-Reconnectible) - (7/16 x 15-7/8")	312-0058		1	120/240 Volt (Non-Reconnectible)
			Key 2	312-0058		2	120/240 Volt (Reconnectible)
	520-0407	1	120 Volt (7/16 x 17-3/4")	19		3	120/240 Volt (Reconnectible)
	520-0595	1	120/240 Volt (Reconnectible & Non-Reconnectible) - 7/16 x 19-1/2"	20		1	Cover, End Bell
				234-0002		1	Band, End Bell
				234-0005		1	120 Volt
7			Frame Only, Generator (Machined and Drilled, Less Coils and Pole Shoes)	21			120/240 Volt (Reconnectible and Non-Reconnectible)
	210-0244	1	Key 1	211-0097		1	Bell, End
	210-0238	1	Key 2	211-0098		1	120 Volt
8			Shoe, Pole, Field	22			120/240 Volt (Reconnectible and Non-Reconnectible)
	221-0091	4	Key 1 (4-1/2")	520-0502		2	Stud, Generator Through
	221-0090	4	Key 2 (7-1/2")	520-0498		2	Key 1 (5/16 x 12-3/16")
9			Coil Assembly, Field (Set of 4 Coils)	23		2	Key 2 (5/16 x 15-11/16")
	222-1435	1	Key 1	815-0048		2	Screw, Tapping - Round Head (#10-32 x 3/8") - End Bell
	222-1416	1	Key 2	24		2	Cover Mounting
10			Rig Assembly, Brush	24	516-0103	2	Pin (Roll), Generator Frame - 1/8 x 1/2"
			Key 1	25	232-1798	1	Support, Generator
	212-0294	1	120 Volt	26			*Commutator (DC)
	212-0295	1	120/240 Volt (Non-Reconnectible)			1	Key 1
						1	Key 2
	212-0298	1	120/240 Volt (Reconnectible)	27	862-0004	1	Nut, Hex (7/16-14) - Armature Stud
			Key 2	28	850-0055	1	Washer, Lock (7/16")
	212-0293	1	120 Volt	29	526-0032	1	Washer, Flat (29/64" ID x 7/8" OD x 1/16" Thk)
	212-0295	1	120/240 Volt (Non-Reconnectible)	30	862-0015	2	Nut, Hex (5/16-18) - Generator through Stud
	212-0298	1	120/240 Volt (Reconnectible)	31	850-0045	2	Washer, Lock (5/16)
11	231-1006	1	Adapter, Generator to Engine	32	212-1214	4	Clamp, Brush Rig
12	232-1256	1	Scroll, Air Baffle				
13	214-0061	4	Brush, Commutator				
14			Brush, Collector Ring				
			Key 1				
	214-0050	4	120 Volt				
	214-0056	4	120/240 Volt (Reconnectible)				
	214-0056	3	120/240 Volt (Non-Reconnectible)				

\* - Parts Included in Rotor Assembly.

Generator  
Begin Spec R

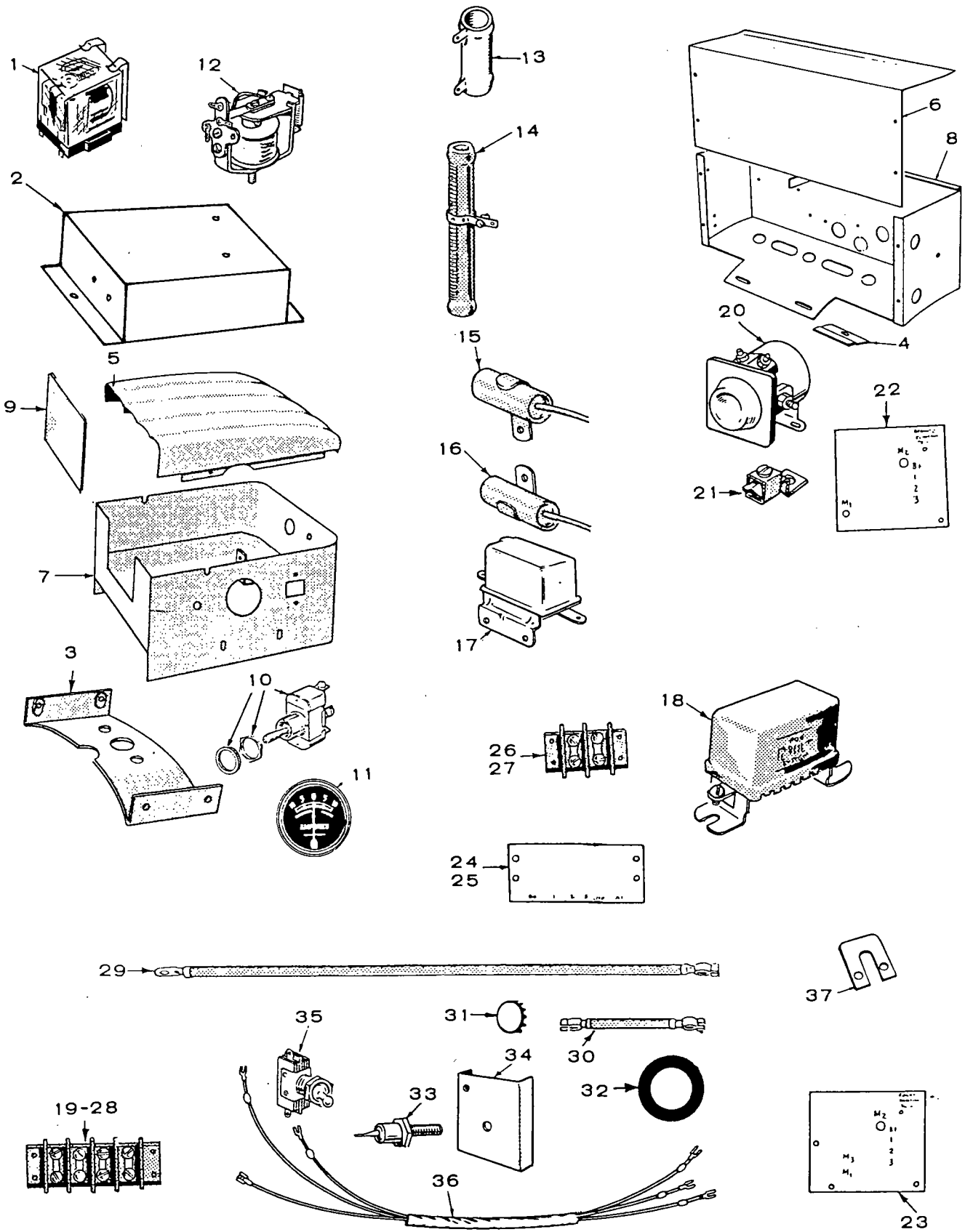


## Generator Begin Spec R

REF NO.	PART NO.	QTY USED	PART DESCRIPTION	REF NO.	PART NO.	QTY USED	PART DESCRIPTION
1			Rotor Assembly, Wound (Includes Parts Marked *) 50 Hertz Sets	23	232-2321	1	Support, Generator - Spec R through T
	201-2323	1	Key 1 Spec R through T	24		1	*Commutator
	201-2505	1	Begin Spec U (120/240 V)		203-0153	1	Key 1
	201-2511	1	Begin Spec U (110/220 V)	25	203-0152	1	Key 2
			60 Hertz Sets	26	204-0110	1	*Collector Ring
			Key 1	27	800-0051	4	Screw, Cap - Hex Head (3/8-16 x 1-1/4")
	201-1907	1	Spec R through T	28	850-0050	4	Washer, Lock - Spring (3/8") Fan, Generator
	201-2627	1	Begin Spec U		205-0090	1	Used on Sets Without Extended Rotor Shaft
			Key 2		205-0116	1	Used on Sets With Extended Rotor Shaft
	201-1903	1	Spec R through T	29	515-0006	1	Key, Drive Hub - Spec R through T only
	201-1903	1	Spec U Prior to Serial #H760159789	30	850-0055	1	Washer, Lock - Spring (7/16")
	201-2503	1	Spec U Begin Serial #H760159789	31	870-0203	1	Nut, Hex (Special)
			Rotor with Extended Shaft	32	353-0047	1	Resistor, Tapped - Spec R through T
	201-1964	1	4.0 CCK-3CR - Spec R	33	304-0706	2	Bracket, Resistor Mounting - Spec R through T
	201-2524	1	4.0 CCK-3CR - Begin Spec U	34	304-0015	2	Washer, Resistor Centering - Spec R through T
2	232-2316	1	Hub, Drive - Spec R through T only	35	812-0118	1	Screw, Machine - Round Head (#10-24 x 5") - Spec R through T
3	515-0006	1	Key, Rotor to Crankshaft	36	357-0017	1	Rectifier (3 Amp) - Spec R through T
4	510-0047	1	*Bearing (Ball), Rotor	37	526-0030	2	Washer, Flat (13/32" ID x 7/8" OD x 1/8" Thk)
5	232-0596	1	Clip, Bearing Stop	38	850-0040	2	Washer, Lock - Spring (1/4") (Extended Shaft Sets use 4)
6			Stud, Armature Through	39	850-0045	4	Washer, Lock - Spring (5/16")
	520-0732	1	Key 1 (7/16-14 x 7/16-20 x 14")	40	850-0050	1	Washer, Lock - Spring (#10) - Spec R through T
	520-0733	1	Key 2 (7/16-14 x 7/16-20 x 17-1/8")	41	862-0015	4	Nut, Hex (5/16-18)
7			Stator Assembly, Wound	42	860-0011	1	Nut, Hex (#10-24) - Spec R through T
	220-1818	1	Key 1	43	800-0051	2	Screw, Cap - Hex Head (3/8-16 x 1-1/4")
	220-1816	1	Key 2, Spec R through T	44	850-0050	2	Washer, Lock - Spring (3/8")
	220-1821	1	Key 2, Begin Spec U	45	232-2619	1	Support, Generator - Begin Spec U
8	815-0359	15	Screw, Tapping - Hex Washer Head (#10-32 x 7/8")	46	812-0091	1	Screw, Machine - Round Head (#8-32 x 2-1/2") - Begin Spec U
9	212-0359	2	Block, Generator Brush - Bottom and Right Side Positions	47	850-0025	1	Washer, Lock - Spring (#8) - Begin Spec U
10	212-0360	2	Block, Generator Brush - Top and Left Side Positions	48	860-0008	1	Nut, Hex (#8-32) - Begin Spec U
11	231-0164	1	Adapter, Generator to Engine (Includes 4 Alignment Pins)	49	304-0014	2	Washer, Centering - Resistor - Begin Spec U
12			Harness, Wiring	50		2	Resistor, Fixed, Wire Wound - Begin Spec U
	338-0642	1	Spec R through T		353-0057	1	Key 1 - 3.4 Ohm, 25 Watt
	338-0945	1	Key 1 - Begin Spec U		353-0060	1	Key 2 - 7.5 Ohm, 25 Watt
	338-0946	1	Key 2 - Begin Spec U	51	526-0032	1	Washer, Flat (Use with 520-0781 Stud) (29/64" ID x 7/8" OD x 1/16" Thk)
13	214-0095	4	Brush, Commutator	52	804-0016	4	Screw, Allen Head - Machine (Use with 205-0116 Generator Fan) (#10-32 x 3/8")
14	214-0096	8	Brush, Collector Ring	53	850-0030	4	Washer, Lock (Use with 205-0116 Generator Fan (#10)
15	212-1232	12	Spring, Brush	54	516-0196	4	Pin, Alignment
16	812-0156	2	Screw, Machine - Round Head (1/4-20 x 1-1/4") (Extended Shaft Gen Sets Use 4)				
17	526-0115	4	Washer, Flat (11/32" ID x 11/16" OD x 1/16" Thk)				
18			Cover Assembly, Generator Fan				
	232-2107	1	Used on Sets Without Extended Rotor Shaft				
	232-2827	1	Used on Sets With Extended Rotor Shaft				
19	234-0362	1	Wrapper, End Bell				
20	211-0187	1	Bell, End				
21			Screw, Cap - Hex Head				
	800-0043	4	Key 1 (5/16-18 x 5")				
	800-0044	4	Key 2 (5/16-18 x 7-1/2")				
	520-0781	4	Sets with Extended Rotor Shaft (7/16 x 17-7/8")				
22	516-0182	8	Pin, Straight, Headless				

\* - Parts Included in Rotor Assembly.

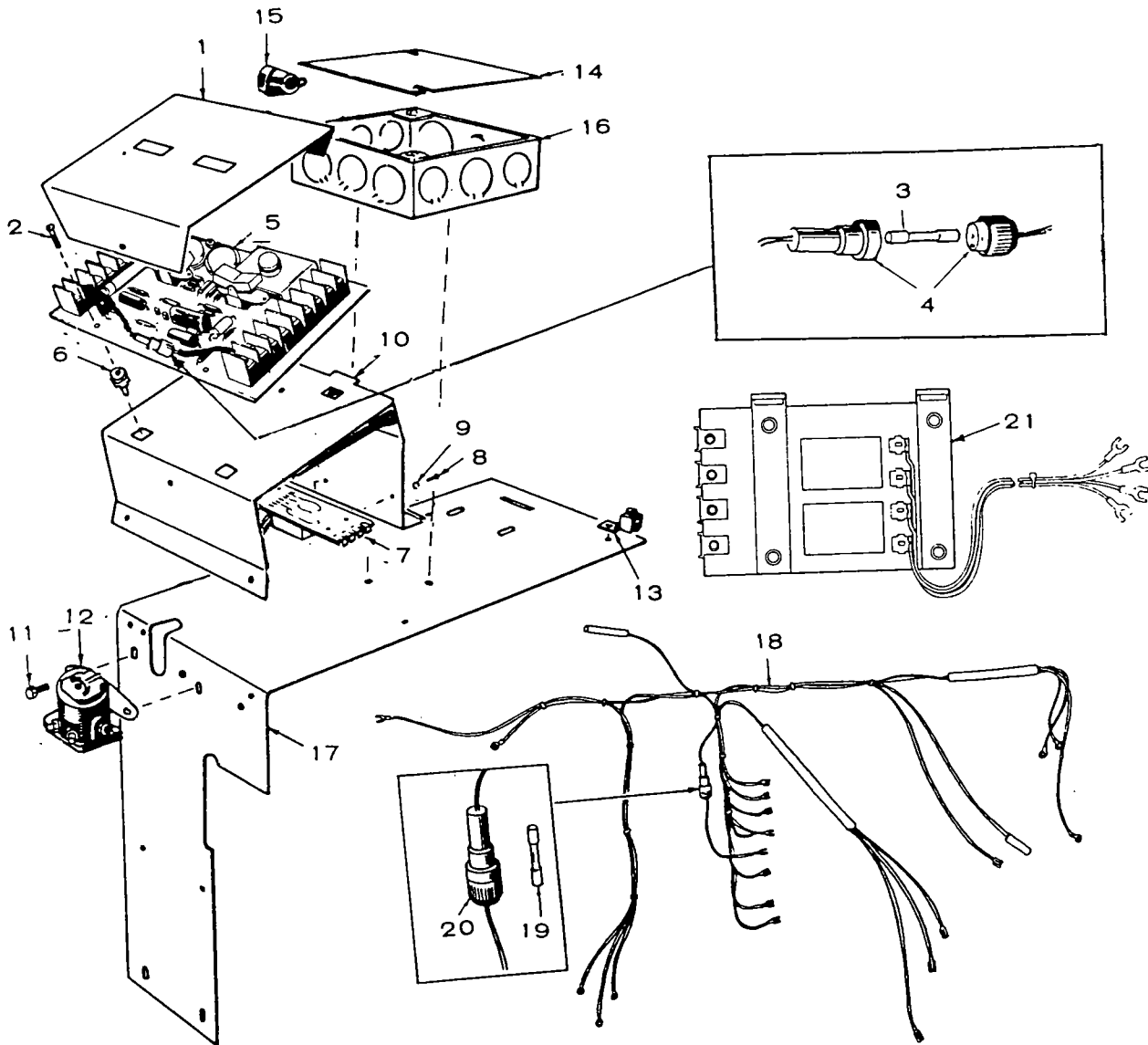
# Control Spec A through Q



**Control  
Spec A through Q**

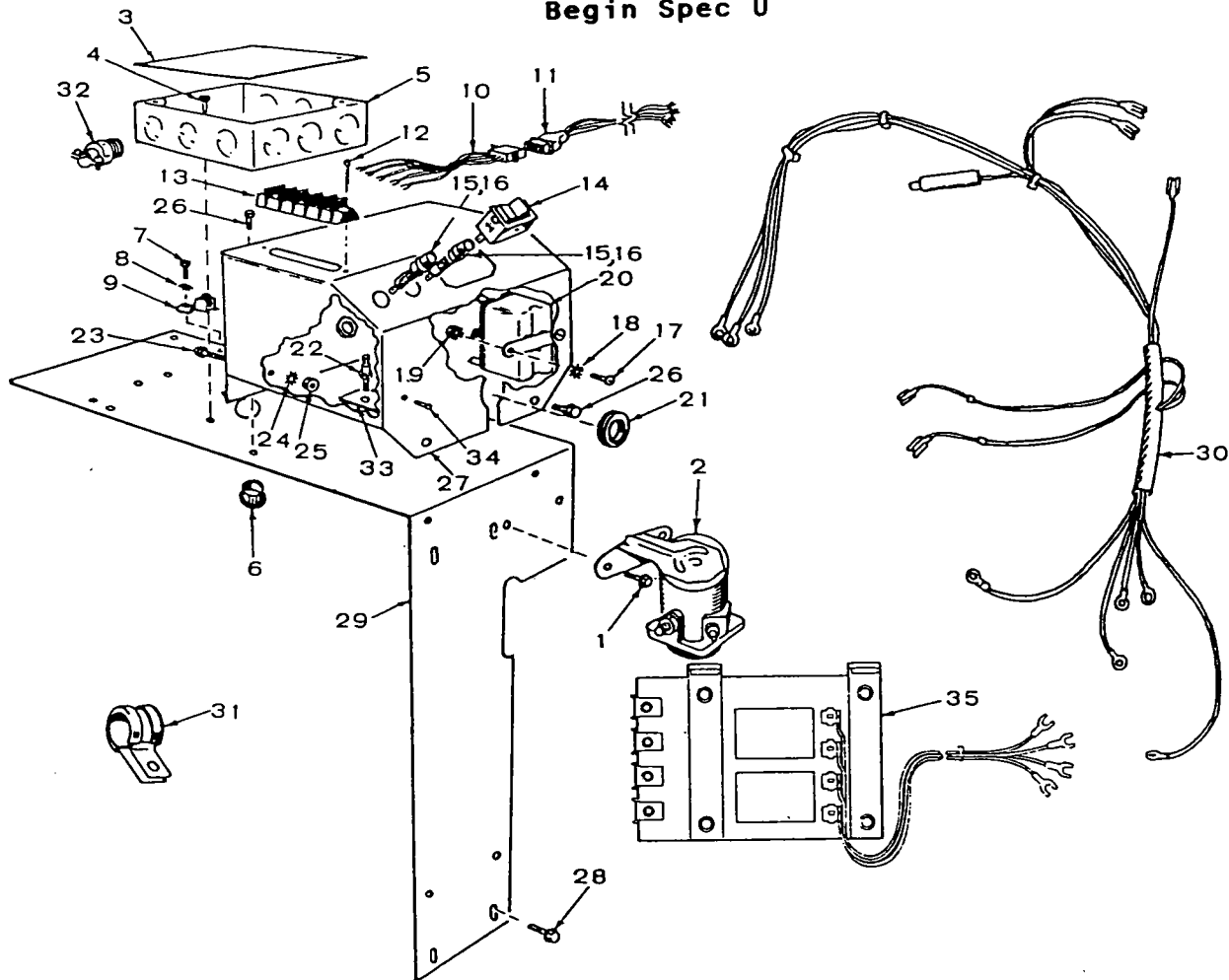
REF NO.	PART NO.	QTY USED	PART DESCRIPTION	REF NO.	PART NO.	QTY USED	PART DESCRIPTION
1	307-0642	1	Relay, Choke - Spec A through M	19	332-0537	1	Block, Terminal - Remote Control
2	301-2722	1	Relay and Terminal Block - Spec A through M	20			Solenoid, Start
3	301-1198	1	Bracket, Control Mounting		307-1046	1	Spec A through M
4	301-3227	1	Spec A through M		307-0845	1	Spec N through Q
5	301-1244	1	Spec N through Q	21	332-0142	1	Terminal, Solderless
6	301-3102	1	Cover, Control Box				Strip, Marker (Load Terminal) - Spec A through M
7	301-2723	1	Spec A through M	22	332-0540	1	120 Volt
8	301-3228	1	Spec N through Q	23	332-0539	1	120/240 Volt
9	301-1271	1	Box, Control				(Non-Reconnectible)
10	308-0154	1	Switch, Start-Stop	24	332-0435	1	120/240 Volt (Reconnectible)
11	302-1360	1	Ammeter, Charge - Spec A through M (Includes Mounting Hardware)	25			Strip, Marker (Remote)
12	307-0253	1	Relay, Stop		332-0763	1	120/240 Volt (Reconnectible) - Spec A through M
13			Resistor, Fixed				All - Spec N through Q
	304-0251	1	30-Ohm, 5 Watt	26	332-0609	1	Block, Terminal (2 Place) - Spec A through M
	304-0344	1	1-Ohm, 24 Watt	27	332-0231	1	Block, Terminal (Load) - 120/240 Volt (Non-Reconnectible) - Spec A through M
	304-0060	1	1.72 Ohm, 25 Watt	28	332-0254	1	Block, Terminal (Load) - 120/240 Volt (Reconnectible) - Spec A through M
14	304-0175	1	Resistor, Adjustable (1-Ohm)	29	416-0077	2	Cable, Battery (28")
15			Condenser (0.1 Mfd), Load	30	416-0004	1	Cable, Battery Jumper
			Terminal Suppression - Spec A through M	31	517-0019	1	Plug, Dot Button (1/2") - Spec A through M
	312-0058	1	120 Volt	32	508-0001	3	Grommet, Rubber - Spec N through Q
	312-0058	2	120/240 Volt (Non-Reconnectible)	33	305-0235	1	Rectifier - Spec N through Q
	312-0058	3	120/240 Volt (Reconnectible)	34	305-0254	1	Sink, Heat (Rectifier Mounting Bracket) - Spec N through Q
16	312-0057	1	Condenser (1 Mfd) - Start	35	308-0002	1	Switch, Toggle (Manual-Electric Start) - Spec N through Q
17			Solenoid Suppression	36	338-0526	1	Harness, Wiring - Spec N through Q
			Regulator, Voltage (Charge Circuit)	37	332-0439	2	Jumper, Load Terminal Block - 120/240 Volt (Reconnectible) - Spec A through M
	305-0001	1	Spec A through M				
	305-0383	1	Spec N through Q				
18	307-0180	1	Relay, Reverse Current - Spec A through M				

## Control Spec R through T



REF NO.	PART NO.	QTY USED	PART DESCRIPTION	REF NO.	PART NO.	QTY USED	PART DESCRIPTION
1	301-3484	1	Cover, Control	11	821-0009	2	Screw, Tapping - Hex Washer Head (1/4-20 x 3/8")
2	815-0365	4	Screw, Tapping - Round Head (#8-32 x 3/4")	12	307-1166	1	Solenoid, Start
3	321-0194	1	Fuse (9 Amp, 32 Volt)	13	332-0142	1	Terminal, Lug
4	321-0210	1	Fuseholder	14	330-0006	1	Cover, Outlet Box
5	300-2026	1	Control, Replacement Kit Models Equipped with Onan Choke	15	508-0179	1	Strain Relief - Cable
	300-2027	1	Models Equipped with Sisson Choke	16	330-0028	1	Box, Outlet
6	870-0263	4	Nut, Insulator (#8)	17	301-3483	1	Bracket, Control Assembly Mounting
7	300-1227	1	Control, Disconnect Adapter - Begin Serial #0675954985 During Spec R	18			Harness, Wiring (Includes Fuseholder Assembly)
8	812-0077	2	Screw, Machine - Round Head (#8-32 x 3/8")		338-0640	1	Sets with Sisson Choke
9	853-0005	2	Washer, Lock - External Tooth (#8)		338-0691	1	Sets with Electric Choke
10	301-3481	1	Bracket, Control Mounting	19	321-0194	1	Fuse (9 Amp, 32 Volt)
				20	321-0193	1	Holder Assembly, Fuse (Includes Fuse)
				21	300-0935	1	Adapter, Start Control (4 to 3 Wire) - Optional

## Control Begin Spec U



REF NO.	PART NO.	QTY USED	PART DESCRIPTION	REF NO.	PART NO.	QTY USED	PART DESCRIPTION
1	821-0009	2	Screw, Self-Locking - Hex Head (1/4-20 x 3/8")	20	307-1575	1	*Relay, Armature - SPST (8 Amp, 12 Volt)
2	307-1498	1	Relay, Solenoid	21	508-0008	1	Grommet, Rubber
3	330-0006	1	Cover, Outlet Box	22	305-0235	1	*Diode, Rectifier (500 PIV, 22 Amp)
4	815-0350	2	Screw, Tapping - Hex Head (#10-32 x 3/8")	23	812-0148	1	Screw, Machine - Round Head (1/4-20 x 1/2")
5	330-0028	1	Box, Outlet	24	853-0013	1	Washer, Lock - External Tooth (1/4")
6	508-0191	1	Grommet, Nylon	25	862-0001	1	Nut, Hex (1/4-20)
7	821-0010	1	Screw, Self-Locking - Hex Head (1/4-20 x 1/2")	26	815-0350	4	Screw, Tapping - Hex Head (#10-32 x 3/8")
8	856-0006	1	Washer, Lock - External/Internal Tooth (1/4")	27	301-4038	1	Control Box
9	332-0142	1	Terminal, Lug - Solderless	28	821-0010	6	Screw, Self-Locking - Hex Washer Head (1/4-20 x 7/8")
10	338-0958	1	Harness, Wiring - Optional (Remote Control)	29	301-4039	1	Bracket, Mounting - Control
11			Harness, Wiring - Remote Control (Optional)	30	338-1132	1	Harness, Wiring - Control (Includes Parts Marked *)
	338-0959	1	10 Ft. Lg	31	332-1876	1	Clamp, Cable Optional
	338-0960	1	30 Ft. Lg	32	508-0179	1	Clamp, Cable, Strain Relief
12	815-0388	2	Screw, Tapping - Pan Head (#6-32 x 1/2")	33	370-1002	1	Plate, Rectifier Mounting
13	332-1918	1	Terminal Strip	34	815-0438	3	Screw, Tapping - Round Head Rectifier Plate Mounting (#8 x 1/4" Lg)
14	308-0383	1	Switch, Push - SPDT	35	300-0935	1	Adapter, Start Control (4 to 3 Wire) - Optional
15	321-0174	2	Fuse, Cartridge	36	332-1445	12	*Tie, Cable
16	321-0175	2	Fuseholder				
17	822-0032	2	Screw, Machine - Pan Head (#6-32 x 1/2")				
18	853-0003	2	Washer, Lock - External Tooth (#6)				
19	870-0183	2	Nut, Hex with External Tooth Lockwasher (#6-32)				

\* - Parts Included in 338-1132 Wiring Harness.



## Service Kits and Miscellaneous

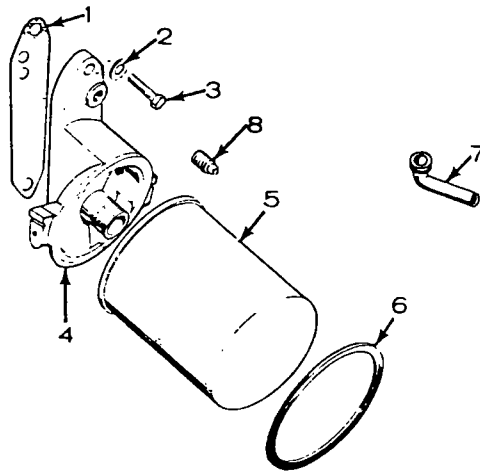
REF NO.	PART NO.	QTY USED	PART DESCRIPTION	REF NO.	PART NO.	QTY USED	PART DESCRIPTION
	98-1100	1	Decal Kit				Paint, Touch-Up (Pressurized Can)
	168-0103	1	Gasket Kit, Engine (Replaces #168-0067)		525-0137	1	Metallic Green (16 oz.)
	168-0095	1	Gasket Kit, Carbon Removal		525-0305	1	Non-Metallic Green (13 oz.)
	412-0032	1	Cover, Canvas				

NOTE: For other kits, refer to the Group for the Part in question.

## OPTIONAL PARTS SECTION

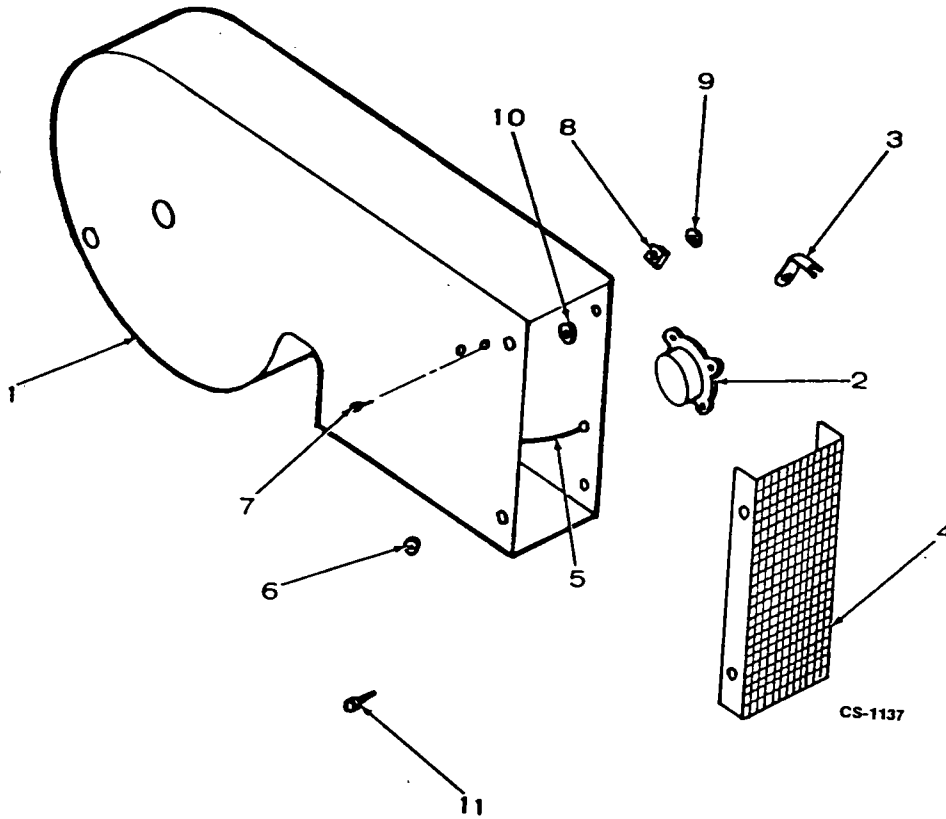
This section contains illustrated parts listing of factory installed options. Options may not be applicable to all models; for field conversions additional parts are usually required.

## Optional Spin-On Filter



REF NO.	PART NO.	QTY USED	PART DESCRIPTION	REF NO.	PART NO.	QTY USED	PART DESCRIPTION
1	122-0321	1	Gasket, Filter Adapter	4	122-0320	1	Adapter, Filter
2	526-0065	2	Washer, Flat - Copper (21/64" ID x 9/16" OD x 1/16" Thk)	5	122-0323	1	Filter, Spin-On
3	800-0028	2	Screw, Cap - Hex Head (5/16-18 x 1")	6	122-0347	1	Seal, Air
				7	122-0345	1	Tube, Oil Drain
				8	505-0057	1	Plug, Adapter Outlet (1/8")

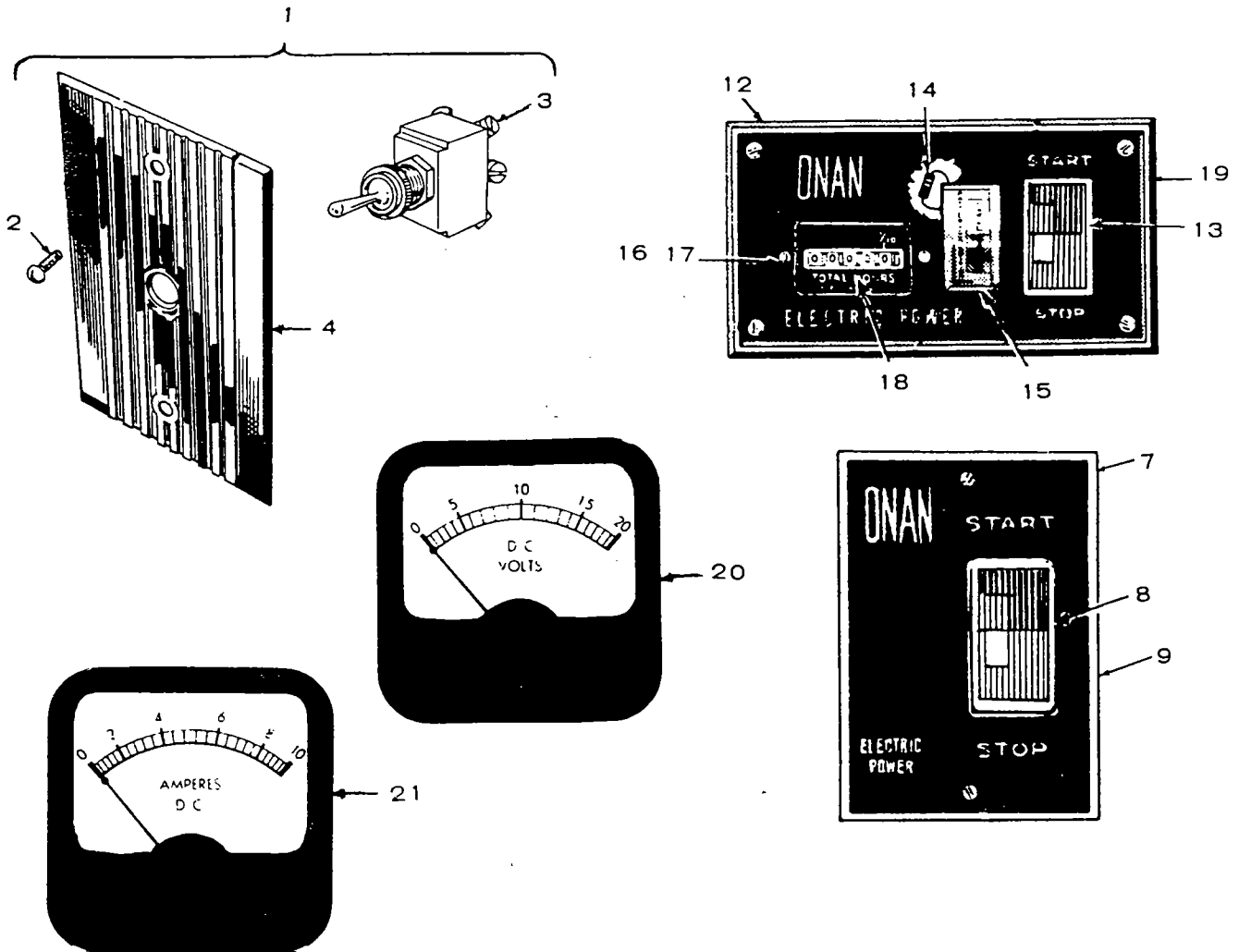
## Optional Scroll and High Temperature Switch



REF NO.	PART NO.	QTY USED	PART DESCRIPTION	REF NO.	PART NO.	QTY USED	PART DESCRIPTION
1	134-2194	1	Scroll Assembly (Includes Parts Marked *)	8	861-0005	2	*Nut, Square (#6-32)
2	309-0002	1	*Switch Assembly - High Temperature Cut-Off (Includes Parts Marked *)	9	856-0001	2	*Washer, Lock (EIT #6)
3	160-0144	1	**Strap, Ground	10	508-0056	2	*Washer, Fiber (7/32" ID x 3/8" OD x 5/64" Thk)
4	134-2956	1	*Guard, Scroll Outlet	11	815-0421	4	*Screw, Hex Head w/ET Washer (#10-16 x 1/2")
5	336-1252	1	*Lead Assembly				
6	508-0031	1	*Grommet, Rubber (1/2" OD)				
7	812-0061	2	*Screw, Round Head - Machine (#6-32 x 3/8")				

\* - Parts Included in 134-2194 Scroll Assembly.  
 \*\* - Parts Included in 309-0002 Switch Assembly.

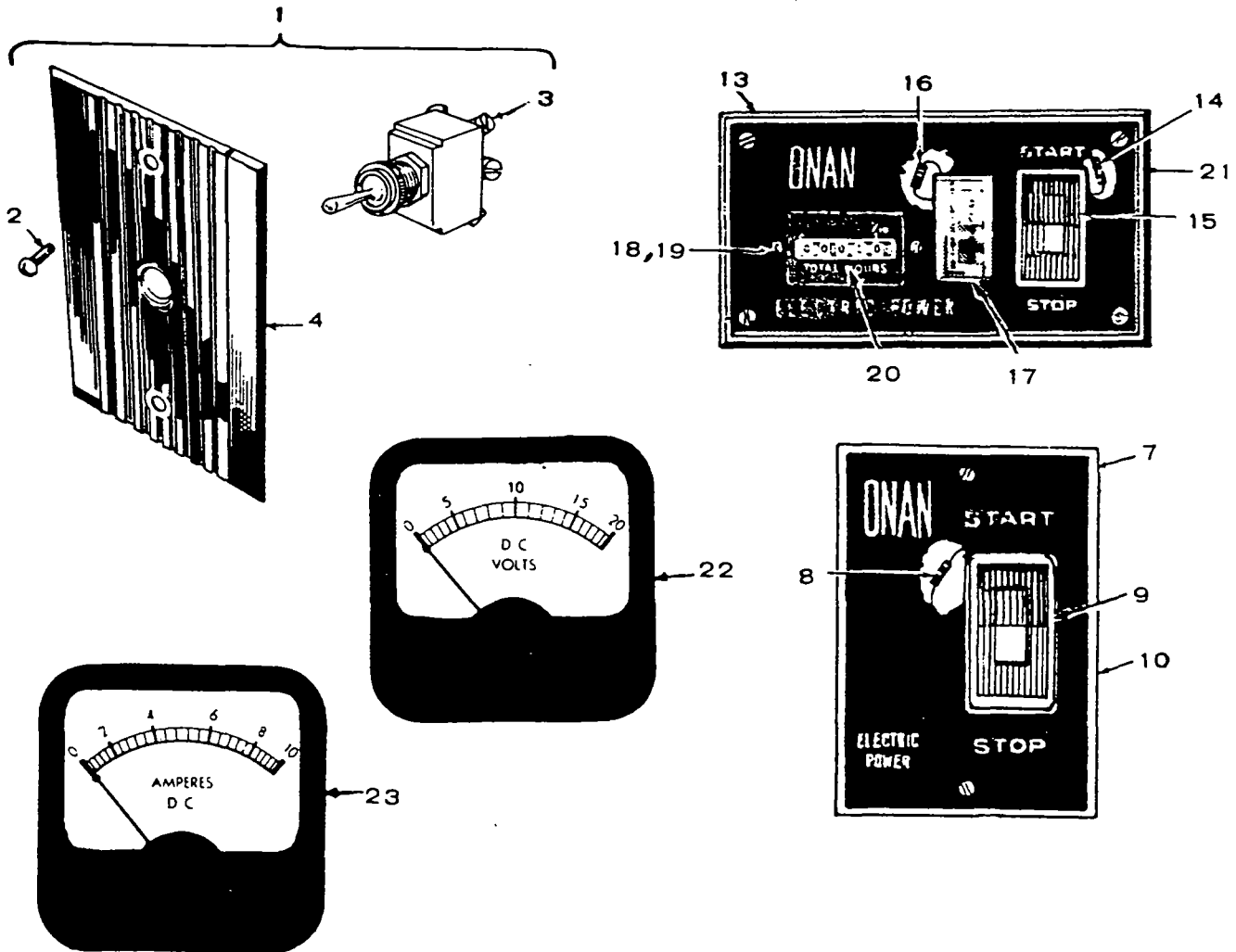
Optional  
Remote Start Control - Spec A through Q  
and Begin Spec U  
(Used with Three Wire Circuits Only)



REF NO.	PART NO.	QTY USED	PART DESCRIPTION	REF NO.	PART NO.	QTY USED	PART DESCRIPTION
1	308-0165	1	Control Package - Remote Starting (Includes Parts Marked *)	13	308-0341	1	§Switch, Push - DPDT (Momentary) With Integral 12 Volt Lamp
2	815-0385	2	*Screw, Machine - Round Head, Black Zinc Finish (#6-32 x 1/2")	14	359-0034	1	§Diode
3	308-0154	1	*Switch, Toggle - SPDT	15	302-0888	1	§Meter, Battery Condition
4	308-0168	1	*Plate, Mounting	16	815-0385	2	§Screw, Machine - Round Head, Black Zinc Finish (#6-32 x 1/2")
7	300-0985	1	Control Assembly, Remote Starting - Standard (Includes Parts Marked *)	17	860-0005	2	§Nut, Hex (#6-32)
8	308-0341	1	+Switch, Push - DPDT (Momentary) With Integral 12 Volt Lamp	18	302-0885	1	§Meter, Time Totalizing
9	301-3566	1	+Panel, Control	19	301-3606	1	§Panel, Control
12	300-2314	1	Control Assembly, Remote Starting - Deluxe (Includes Parts Marked §)	20	302-0562	1	Voltmeter, DC (0-20)
				21	302-0561	1	Ammeter, DC (0-10)

\* - Parts Included in Control Package 308-0165.  
+ - Parts Included in Control Assembly 300-0985.  
§ - Parts Included in Control Assembly 300-2314.

**Optional  
Remote Start Control - Spec R through T  
(Used With Solid State Control,  
Four Wire Circuits Only)**



REF NO.	PART NO.	QTY USED	PART DESCRIPTION	REF NO.	PART NO.	QTY USED	PART DESCRIPTION
1	308-0331	1	Control Package - Remote Starting (Includes Parts Marked *)	14	357-0004	1	§Rectifier
2	815-0385	2	*Screw, Machine - Round Head, Black Zinc Finish (#6-32 x 1/2")	15	308-0330	1	§Switch, Push - DPDT (Momentary) With Integral 24 Volt Lamp
3	308-0329	1	*Switch, Toggle - DPDT	16	359-0034	1	§Diode
4	308-0168	1	*Plate, Mounting	17	302-0888	1	§Meter, Battery Condition
7	300-0942	1	Control Assembly, Remote Starting - Standard (Includes Parts Marked *)	18	815-0385	2	§Screw, Machine - Round Head, Black Zinc Finish (#6-32 x 1/2")
8	357-0004	1	+Rectifier	19	860-0005	2	§Nut, Hex (#6-32)
9	308-0330	1	+Switch, Push - DPDT (Momentary) With Integral 24 Volt Lamp	20	302-0885	1	§Meter, Time Totalizing
10	301-3566	1	+Panel, Control	21	301-3606	1	§Panel, Control
13	300-0943	1	Control Assembly, Remote Starting - Deluxe (Includes Parts Marked §)	22	302-0562	1	Voltmeter, DC (0-20)
				23	302-0561	1	Ammeter, DC (0-10)

\* - Parts Included in Control Package 308-0331.  
 + - Parts Included in Control Assembly 300-0942.  
 § - Parts Included in Control Assembly 300-0943.

## Numerical Index

Part No.	Page	Part No.	Page	Part No.	Page	Part No.	Page
98-1100	32	112-0069	12	134-2956	15	149-0149	17
101-0115	7	112-0179	12	134-2956	35	149-0150	17
101-0316	7	112-0179-05	12	134-3032	15	149-0202	17
101-0367	7	112-0179-10	12	134-3041	15	149-1417	17
101-0450	7	112-0179-20	12	134-3042	15	149-1554	17
101-0450-02	7	112-0179-30	12	134-3050	15	149-1830	17
101-0450-10	7	112-0179-40	12	140-0068	13	150-0075	5
101-0450-20	7	113-0152	12	140-0211	13	150-0077	5
101-0450-30	7	113-0152-05	12	140-0403	13	150-0078	5
102-0158	9	113-0152-10	12	140-0495	13	150-0096	11
102-0455	9	113-0152-20	12	140-0692	13	150-0098	11
102-0579	9	113-0152-30	12	140-0693	13	150-0366	14
103-0011	11	113-0152-40	12	140-1153	13	150-0376	14
103-0357	11	114-0022	7	140-1173	13	150-0425	14
103-0641	11	114-0059	12	141-0078	17	150-0430	14
103-0667	11	114-0098	12	141-0078	19	150-0433	14
104-0032	4	114-0098-10	12	142-0031	19	150-0433	17
104-0043	4	114-0098-20	12	142-0032	19	150-0434	14
104-0170	4	114-0098-30	12	142-0033	19	150-0620	11
104-0499	4	115-0006	7	142-0035	19	150-0629	11
104-0575	7	115-0006-05	7	142-0037	19	150-0639	11
104-0776	7	120-0140	9	142-0039	19	150-0666	14
104-1323	4	120-0161	9	142-0040	19	150-0668	14
104-1346	4	120-0386	7	142-0041	19	150-0678	11
105-0140	5	120-0398	9	142-0042	19	150-0710	11
105-0332	5	120-0400	9	142-0045	19	150-1187	11
105-0541	5	120-0491	9	142-0046	19	150-1257	5
110-0445	7	122-0320	34	142-0049	19	150-1286	11
110-0445	21	122-0321	34	142-0055	19	150-1352	14
110-0539	7	122-0323	34	142-0183	19	150-1519	5
110-0639	7	122-0345	9	142-0205	19	150-1520	5
110-0666	7	122-0345	34	142-0206	19	150-1564	11
110-0667	7	122-0347	34	142-0217	19	150-1577	11
110-0872	7	123-0104	7	142-0282	19	150-1695	5
110-0872-02	7	123-0129	7	142-0285	19	152-0155	17
110-0872-05	7	123-0191	9	142-0343	19	153-0058	17
110-0872-10	7	123-0292	13	142-0361	19	153-0114	17
110-0872-25	7	123-0293	13	142-0368	19	153-0223	17
110-0879	7	123-0489	9	142-0369	19	153-0361	17
110-0880	7	123-1600	7	142-0370	19	154-0013	17
110-0881	7	134-0565	4	142-0371	19	154-0356	17
110-0890	7	134-0589	15	142-0645	17	154-0360	17
110-0891	7	134-0761	15	142-0645	19	154-0360	21
110-0892	7	134-0911	4	142-0646	17	154-0383	17
110-0893	7	134-1572	15	142-0646	19	154-1522	21
110-0902	7	134-1591	15	145-0008	19	154-1523	21
110-0904	7	134-2102	15	145-0094	13	154-1578	21
110-0915	7	134-2112	15	148-0017	19	154-1840	21
110-3136	7	134-2194	35	149-0003	11	154-1841	21
112-0003	12	134-2237	15	149-0079	17	155-0076	21

## Numerical Index

Part No.	Page	Part No.	Page	Part No.	Page	Part No.	Page
155-0518	21	167-1467	23	214-0050	25	301-4038	31
155-0714	21	167-1468	23	214-0056	25	301-4039	31
155-1222	21	167-1595	23	214-0061	25	302-0561	36
155-1234	21	167-1596	23	214-0095	27	302-0561	37
155-1235	21	168-0095	32	214-0096	27	302-0562	36
155-1236	21	168-0103	32	220-1816	27	302-0562	37
155-1239	21	192-0272	4	220-1818	27	302-0885	36
155-1240	21	193-0083	4	220-1821	27	302-0885	37
155-1254	21	201-0704	25	221-0090	25	302-0888	36
155-1258	21	201-0705	25	221-0091	25	302-0888	37
155-1380	21	201-0758	25	222-1416	25	302-1360	29
155-1520	21	201-0759	25	222-1435	25	304-0014	27
155-1665	21	201-1098	25	231-0164	27	304-0015	27
160-0002	23	201-1099	25	231-1006	25	304-0060	29
160-0043	23	201-1903	27	232-0596	25	304-0175	29
160-0075	23	201-1907	27	232-0596	27	304-0251	29
160-0144	35	201-1963	27	232-1256	25	304-0344	29
160-0150	23	201-1964	27	232-1798	25	304-0706	27
160-0261	23	201-2323	27	232-2107	27	305-0001	29
160-0349	23	201-2503	27	232-2316	27	305-0235	29
160-0428	23	201-2505	27	232-2321	27	305-0235	31
160-0558	23	201-2511	27	232-2619	27	305-0254	29
160-0723	23	201-2524	27	232-2827	27	305-0383	29
160-0763	17	201-2627	27	234-0002	25	307-0180	29
160-0836	23	203-0009	25	234-0005	25	307-0253	29
160-0929	23	203-0127	25	234-0362	27	307-0642	29
160-0930	23	203-0152	27	300-0935	30	307-0845	29
160-0931	23	203-0153	27	300-0935	31	307-1046	29
160-0963	23	204-0009	25	300-0942	37	307-1166	30
160-1040	23	204-0010	25	300-0943	37	307-1279	17
160-1041	23	204-0092	25	300-0985	36	307-1498	31
160-1109	17	204-0110	27	300-1227	30	307-1575	31
160-1135	23	205-0053	25	300-2026	30	308-0002	29
166-0250	23	205-0090	27	300-2027	30	308-0097	15
166-0346	23	205-0116	27	300-2314	36	308-0154	29
166-0383	23	210-0238	25	301-1198	29	308-0154	36
166-0385	23	210-0244	25	301-1244	29	308-0165	36
166-0466	23	211-0097	25	301-1271	29	308-0168	36
166-0519	23	211-0098	25	301-2722	29	308-0168	37
166-0554	23	211-0099	25	301-2723	29	308-0329	37
166-0588	23	211-0187	27	301-3102	29	308-0330	37
166-0604	23	212-0293	25	301-3227	29	308-0331	37
166-0614	23	212-0294	25	301-3228	29	308-0341	36
166-0643	23	212-0295	25	301-3481	30	308-0383	31
166-0648	23	212-0298	25	301-3483	30	309-0002	35
166-0702	23	212-0359	27	301-3484	30	309-0010	9
167-0064	23	212-0360	27	301-3566	36	309-0237	9
167-0067	23	212-1105	25	301-3566	37	312-0017	25
167-0237	23	212-1214	25	301-3606	36	312-0027	23
167-0241	23	212-1232	27	301-3606	37	312-0027	25



## Numerical Index

Part No.	Page	Part No.	Page	Part No.	Page	Part No.	Page
312-0057	29	357-0004	37	505-0473	21	520-0595	25
312-0058	25	357-0017	27	505-0479	21	520-0732	27
312-0058	29	359-0034	36	508-0001	29	520-0733	27
312-0069	23	359-0034	37	508-0008	31	520-0781	27
312-0162	23	370-1002	31	508-0031	35	525-0137	32
321-0174	31	402-0282	9	508-0056	35	525-0305	32
321-0175	31	402-0283	9	508-0114	23	526-0006	17
321-0193	30	402-0284	9	508-0179	30	526-0014	9
321-0194	30	402-0290	9	508-0179	31	526-0017	4
321-0210	30	402-0364	9	508-0191	31	526-0030	27
330-0006	30	402-0372	9	509-0008	11	526-0032	25
330-0006	31	402-0373	9	509-0040	11	526-0032	27
330-0028	30	402-0435	9	509-0041	7	526-0062	17
330-0028	31	403-0933	9	510-0008	11	526-0063	7
332-0142	13	403-0986	9	510-0013	11	526-0063	11
332-0142	29	403-1258	9	510-0014	11	526-0065	34
332-0142	30	412-0032	32	510-0015	5	526-0066	9
332-0142	31	416-0004	21	510-0047	25	526-0115	27
332-0231	29	416-0004	29	510-0047	27	526-0122	7
332-0254	29	416-0036	21	515-0001	4	526-0195	9
332-0319	23	416-0037	21	515-0001	5	526-0196	11
332-0435	29	416-0077	21	515-0006	25	526-0198	9
332-0439	29	416-0077	29	515-0006	27	526-0214	23
332-0527	17	501-0007	17	515-0227	4	800-0004	11
332-0537	29	501-0197	17	516-0027	19	800-0007	9
332-0539	29	502-0002	17	516-0039	14	800-0009	17
332-0540	29	502-0003	17	516-0059	17	800-0012	7
332-0566	29	502-0020	7	516-0072	7	800-0028	21
332-0609	29	502-0020	17	516-0085	14	800-0028	34
332-0763	29	502-0058	9	516-0103	25	800-0032	11
332-1445	31	502-0065	17	516-0130	11	800-0034	11
332-1876	31	502-0082	17	516-0141	11	800-0043	27
332-1918	31	502-0196	17	516-0182	27	800-0044	27
336-1252	35	503-0004	13	516-0196	27	800-0051	27
336-2139	9	503-0107	13	517-0009	15	800-0054	17
336-2379	9	503-0280	13	517-0019	29	800-0082	9
337-0122	9	503-0311	13	517-0021	15	800-0512	7
338-0526	29	503-0480	13	517-0035	15	800-0548	12
338-0640	30	503-0514	23	517-0048	7	801-0048	9
338-0642	27	503-0643	13	518-0006	11	802-0035	23
338-0691	30	503-0769	13	518-0014	4	804-0016	27
338-0945	27	504-0092	9	518-0056	13	812-0061	35
338-0946	27	505-0008	19	518-0129	11	812-0063	19
338-0958	31	505-0019	9	518-0350	17	812-0077	23
338-0959	31	505-0030	21	520-0114	7	812-0077	30
338-0960	31	505-0041	21	520-0407	25	812-0091	27
338-1132	31	505-0050	9	520-0491	25	812-0118	27
353-0047	27	505-0056	9	520-0498	25	812-0148	31
353-0057	27	505-0057	9	520-0502	25	812-0156	27
353-0060	27	505-0057	34	520-0525	25	813-0103	19

## Numerical Index

Part No.	Page	Part No.	Page	Part No.	Page	Part No.	Page
813-0110	14	850-0050	9				
813-0110	17	850-0050	17				
815-0046	11	850-0050	27				
815-0048	25	850-0055	4				
815-0072	19	850-0055	9				
815-0091	19	850-0055	25				
815-0103	19	850-0055	27				
815-0104	17	850-2005	23				
815-0109	19	851-0009	13				
815-0110	17	853-0003	31				
815-0148	14	853-0005	30				
815-0261	11	853-0008	14				
815-0261	15	853-0008	17				
815-0285	17	853-0013	31				
815-0285	23	856-0001	35				
815-0315	17	856-0006	13				
815-0350	31	856-0006	31				
815-0359	27	860-0005	36				
815-0365	30	860-0005	37				
815-0385	36	860-0008	17				
815-0385	37	860-0008	27				
815-0388	31	860-0011	27				
815-0421	15	860-0013	17				
815-0421	35	861-0005	35				
815-0438	31	862-0001	31				
816-0206	9	862-0004	9				
821-0009	13	862-0004	25				
821-0009	15	862-0015	17				
821-0009	17	862-0015	25				
821-0009	30	862-0015	27				
821-0009	31	870-0053	11				
821-0010	4	870-0053	19				
821-0010	13	870-0053	23				
821-0010	15	870-0131	11				
821-0010	31	870-0183	31				
821-0018	4	870-0203	27				
822-0032	31	870-0263	30				
850-0025	17						
850-0025	27						
850-0030	17						
850-0030	27						
850-0040	9						
850-0040	17						
850-0040	23						
850-0040	27						
850-0045	7						
850-0045	11						
850-0045	21						
850-0045	25						
850-0045	27						