

---

# PARTS CATALOG

---

FOR



## CCK INDUSTRIAL ENGINE

### MODELS

**CCK - MS/663F**

**CCK - MS/1070F**

**CCK - MS/1244G**

**CCK - MS/1395G**

**CCK - MS/1400G**

**Postal Vehicle Application**

---

# ONAN

1400 73RD AVENUE N.E. • MINNEAPOLIS, MINNESOTA 55432

A DIVISION OF ONAN CORPORATION

This parts catalog applies to ONAN Series **Industrial Engines** of the specific models and specifications as listed in the Model Identification Table. Compare the MODEL and SPEC. which appears on the engine nameplate, with the MODEL and SPEC. in the table. Select the proper column in the Parts List.

Parts are arranged in groups of related items. Illustrated parts are typical and identified by corresponding reference numbers in the various groups in the parts list.

The right side or left side of the engine is determined when facing the blower housing (flywheel end).

MODEL IDENTIFICATION TABLE

MODEL & SPEC. NO.	USE PARTS LIST COLUMN
CCK-MS/663F	A
CCK-MS/1070F	B
CCK-MS/1244G	C
CCK-MS/1395G	D
CCK-MS/1400G	E

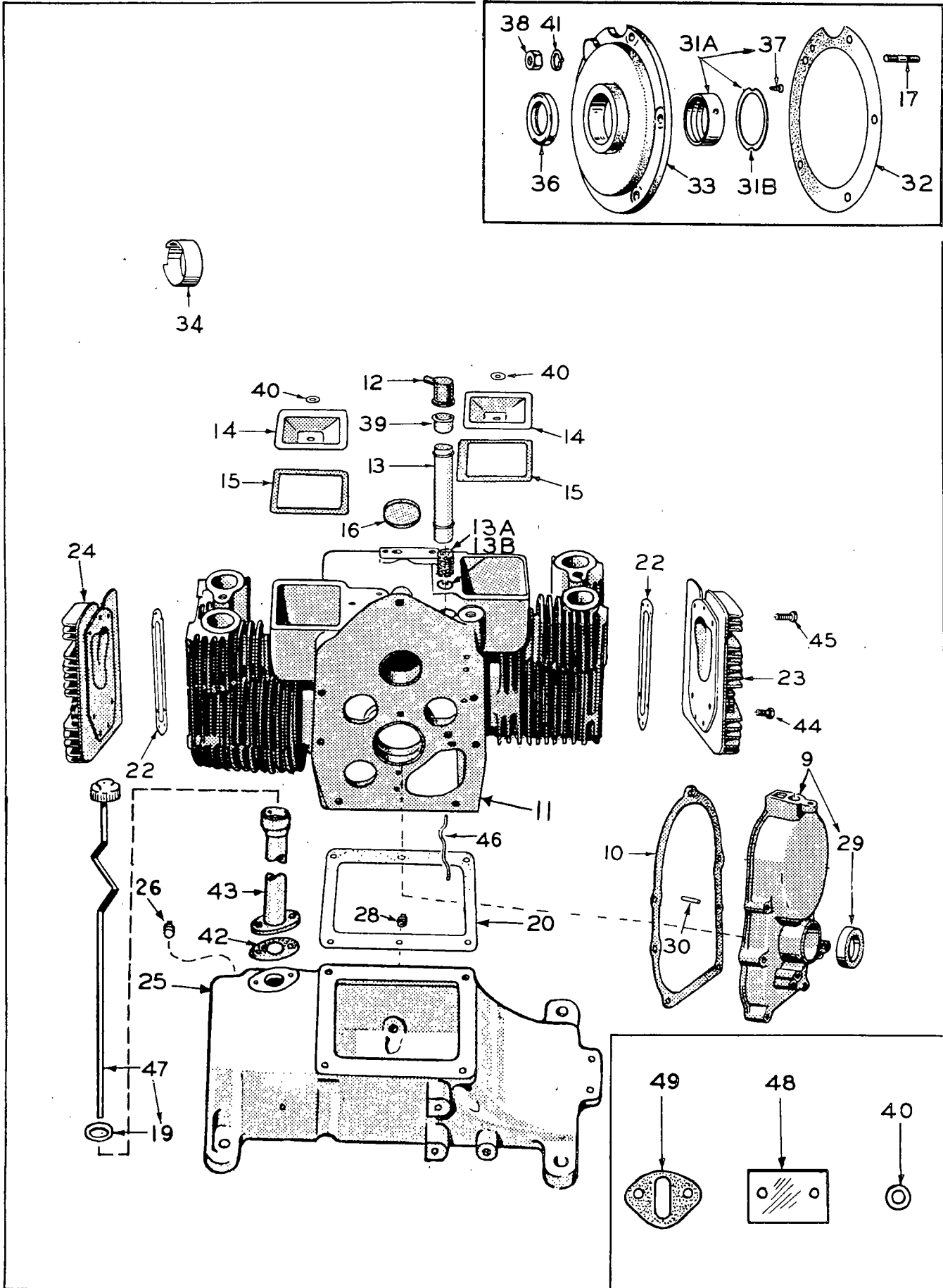


FIG. A - CYLINDER BLOCK, OIL BASE AND GEAR COVER GROUP

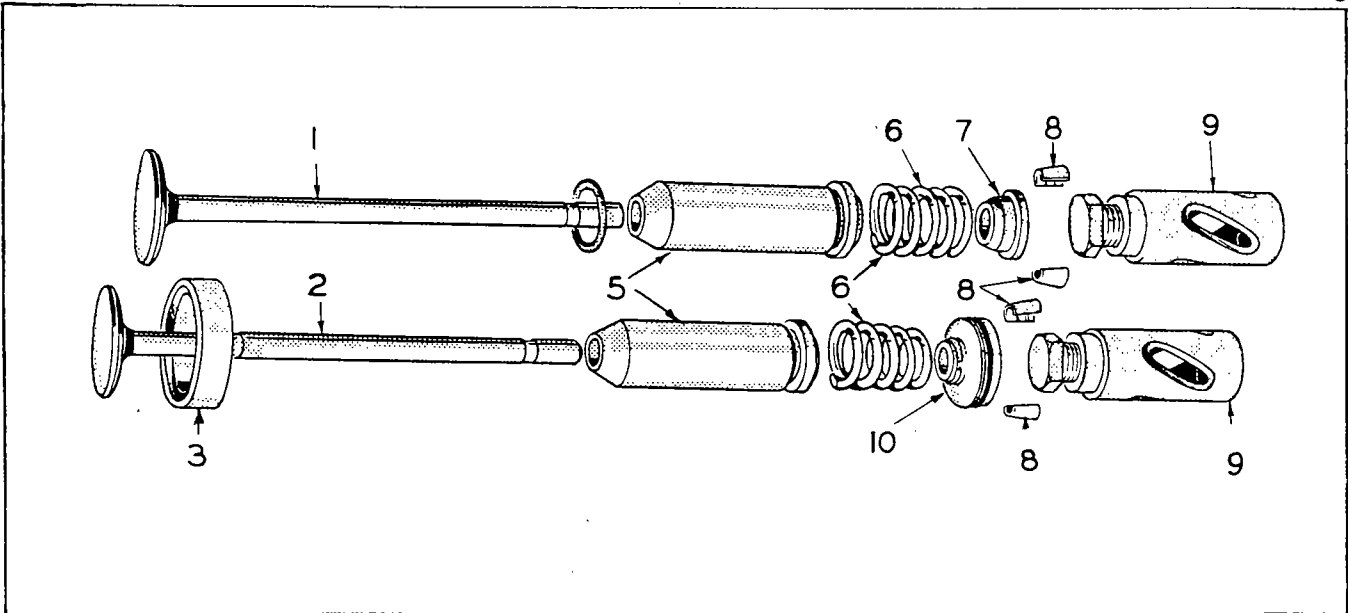


FIG. B - VALVE GROUP

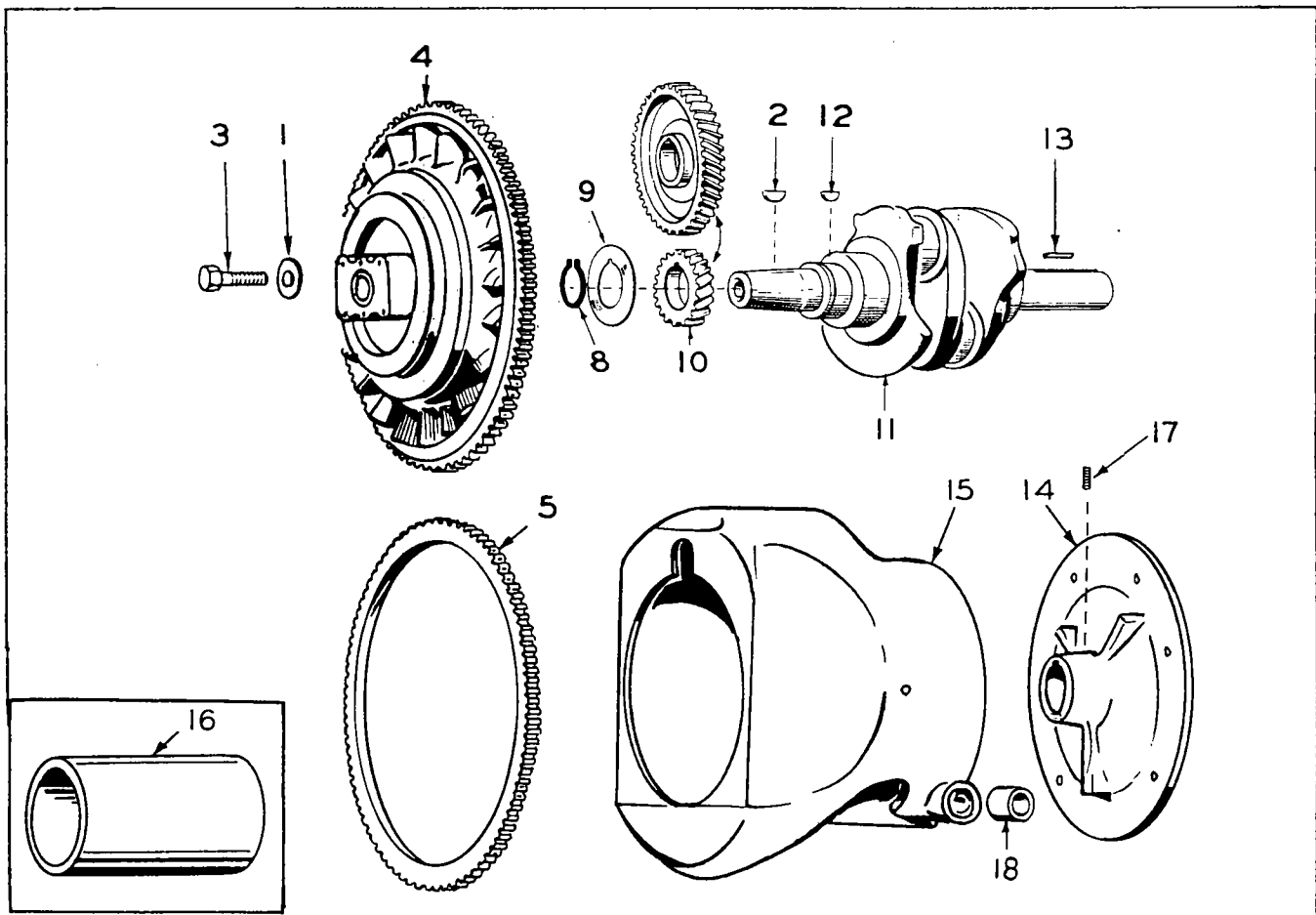


FIG. C - CRANKSHAFT AND FLYWHEEL GROUP

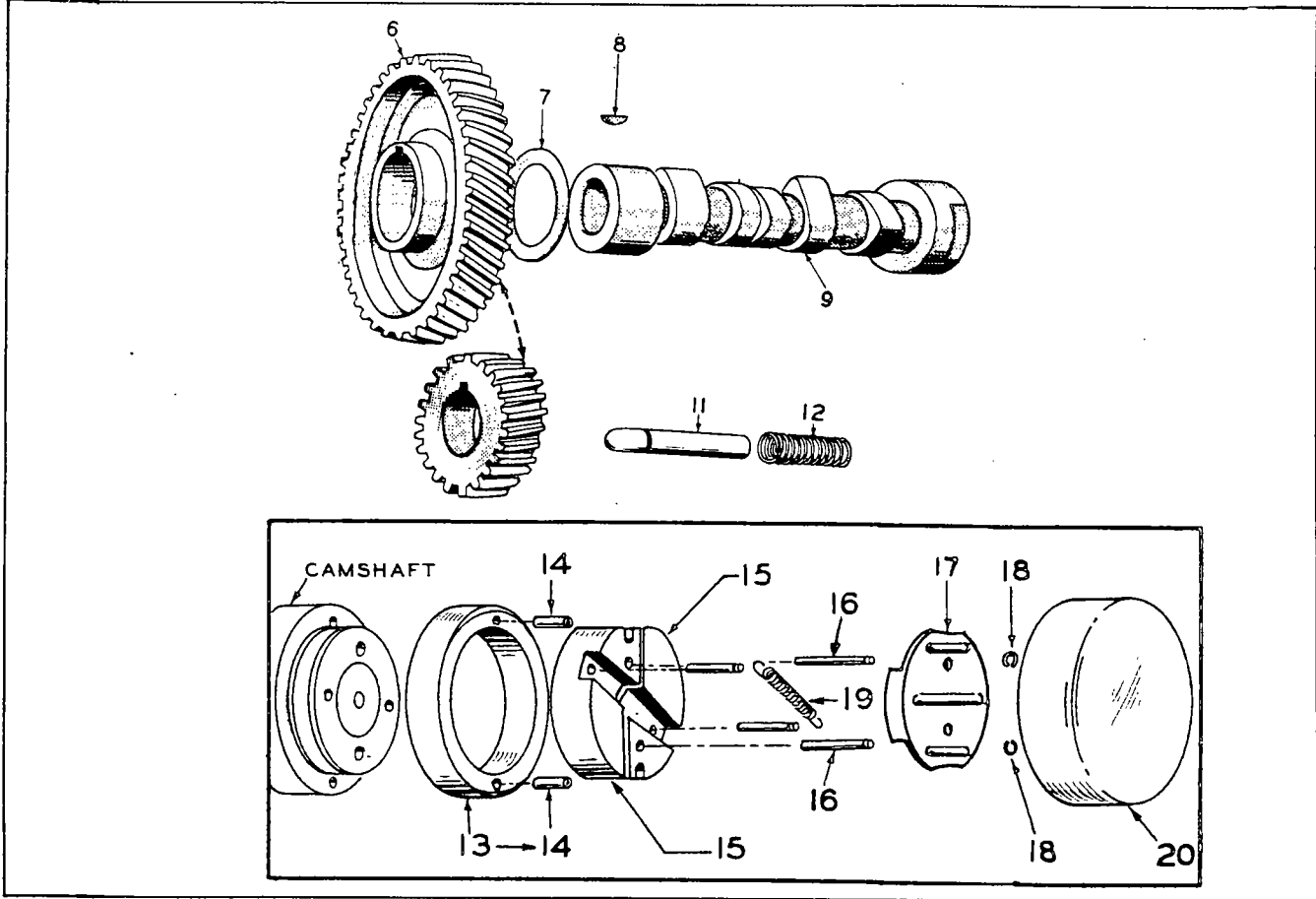


FIG. D - CAMSHAFT AND GOVERNOR CUP GROUP

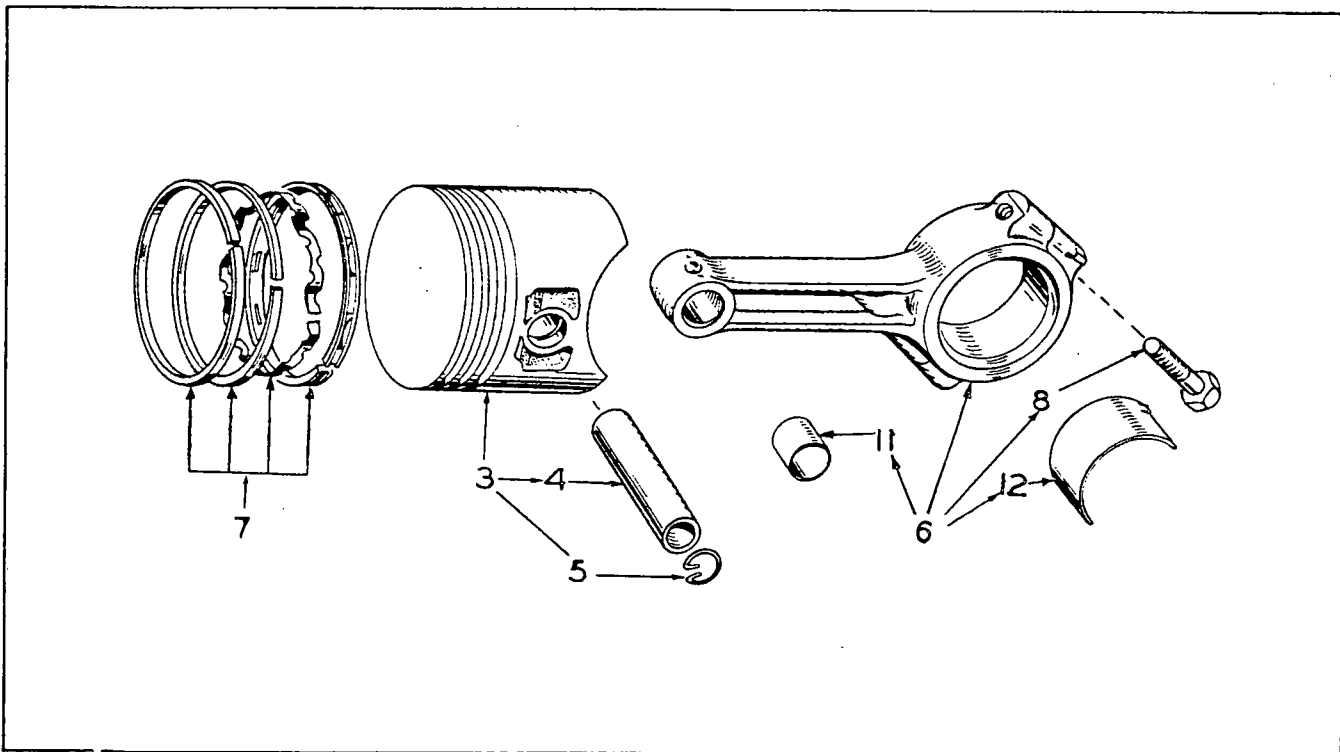


FIG. E - CONNECTING ROD AND PISTON GROUP

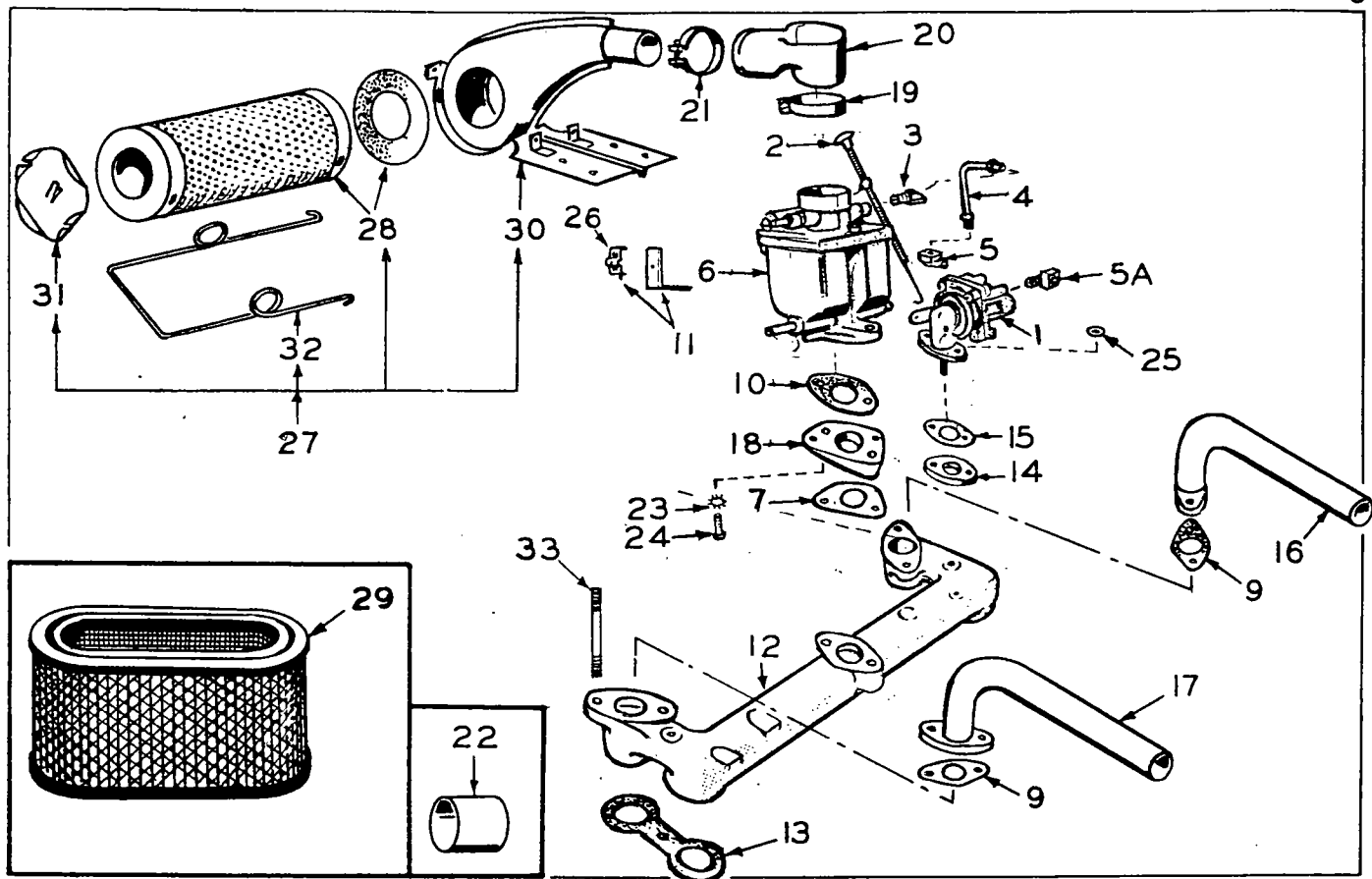


FIG. F - FUEL SYSTEM GROUP

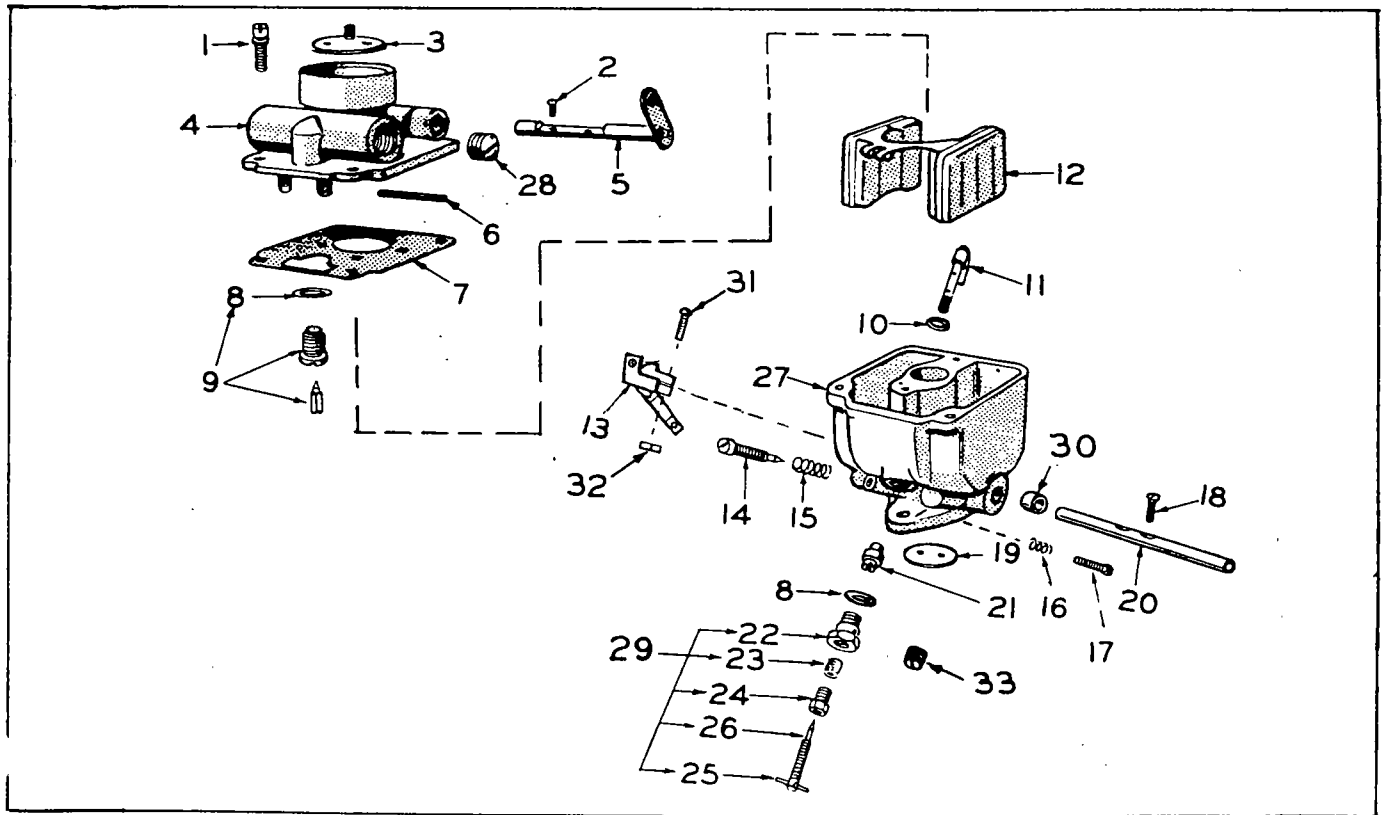


FIG. G - CARBURETOR PARTS GROUP

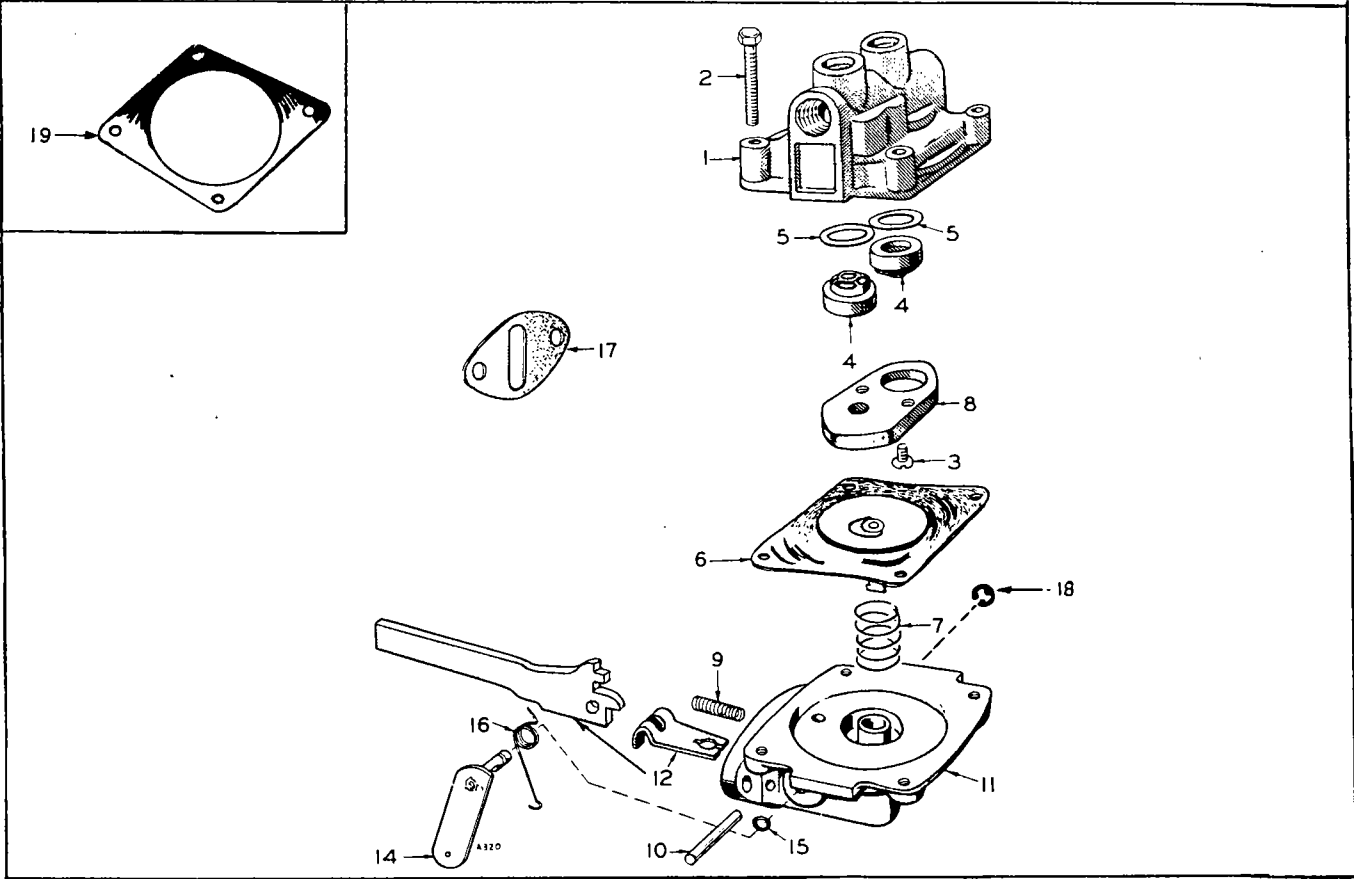


FIG. H - FUEL PUMP PARTS GROUP

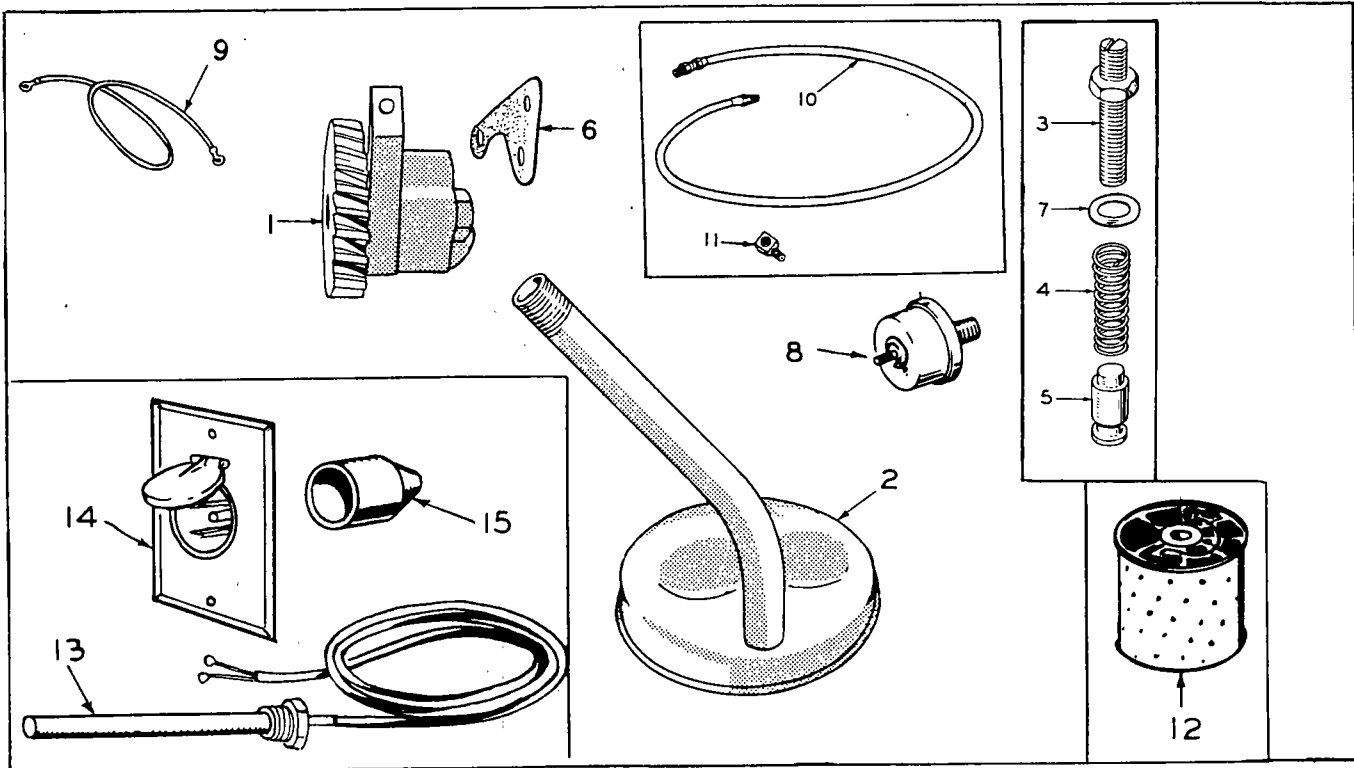


FIG. I - OIL PUMP GROUP

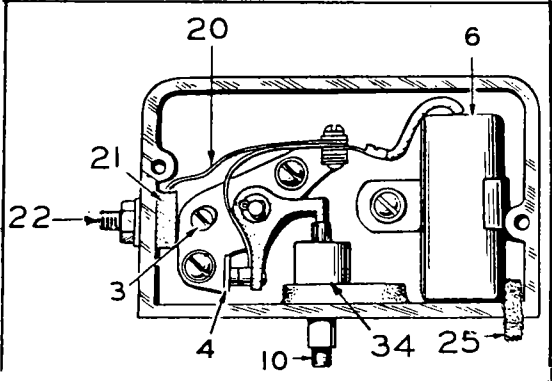
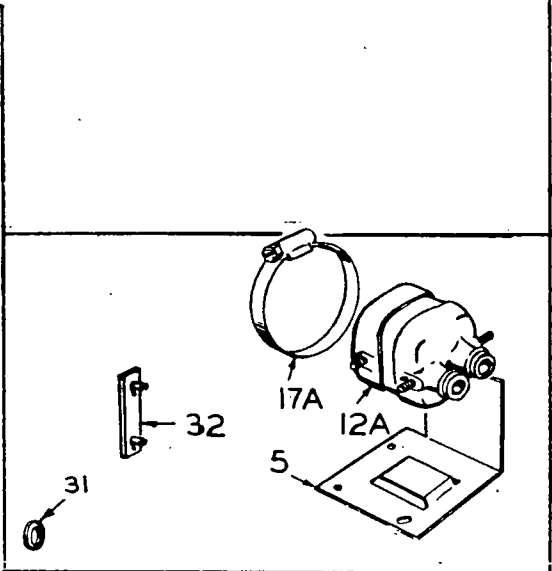
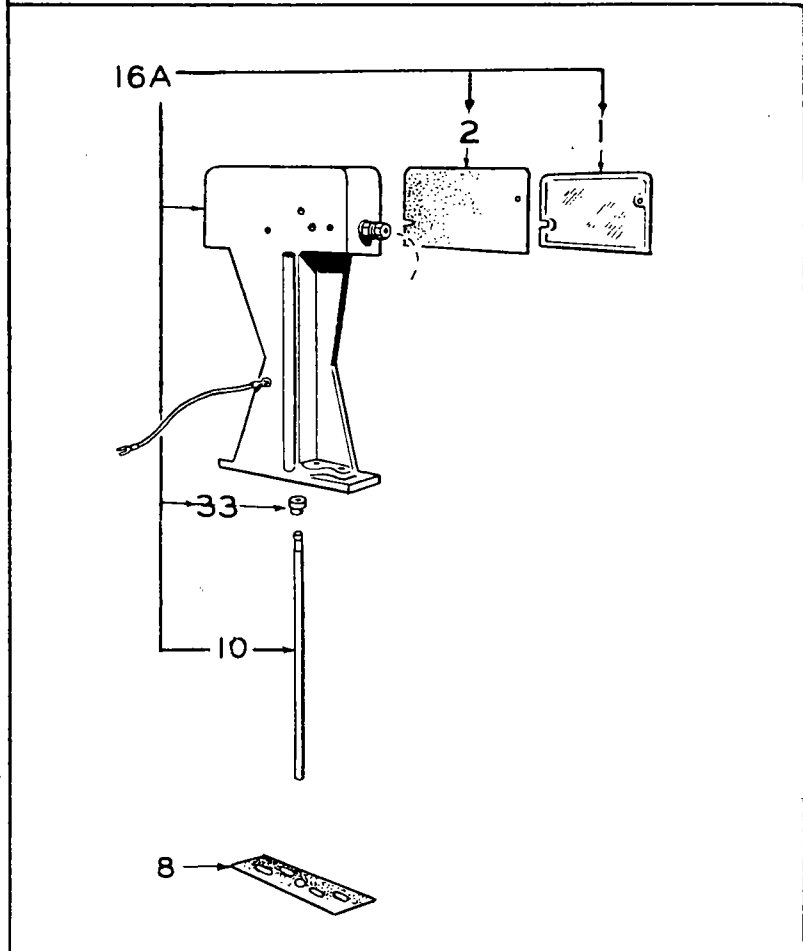
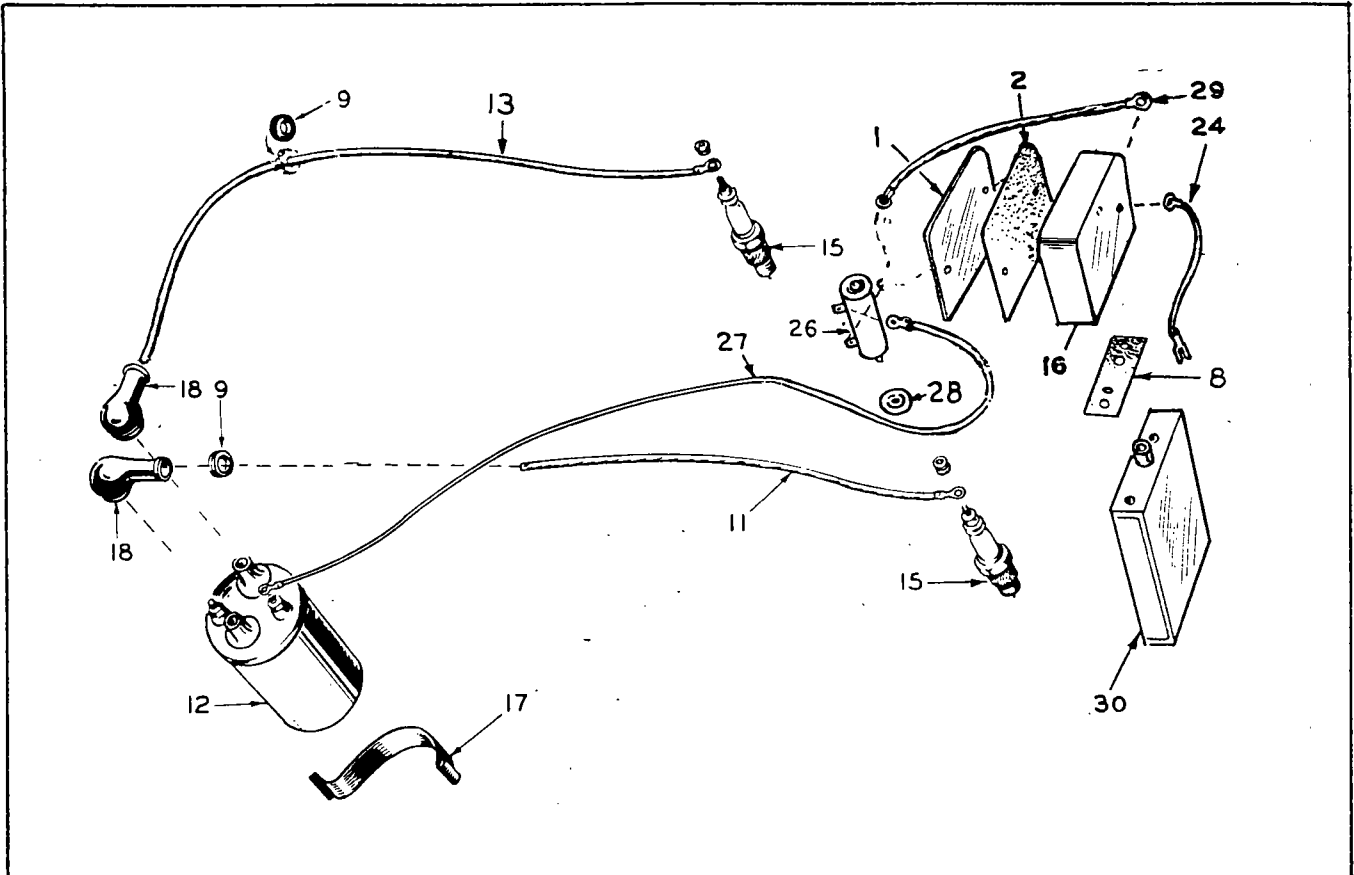


FIG. J - IGNITION GROUP



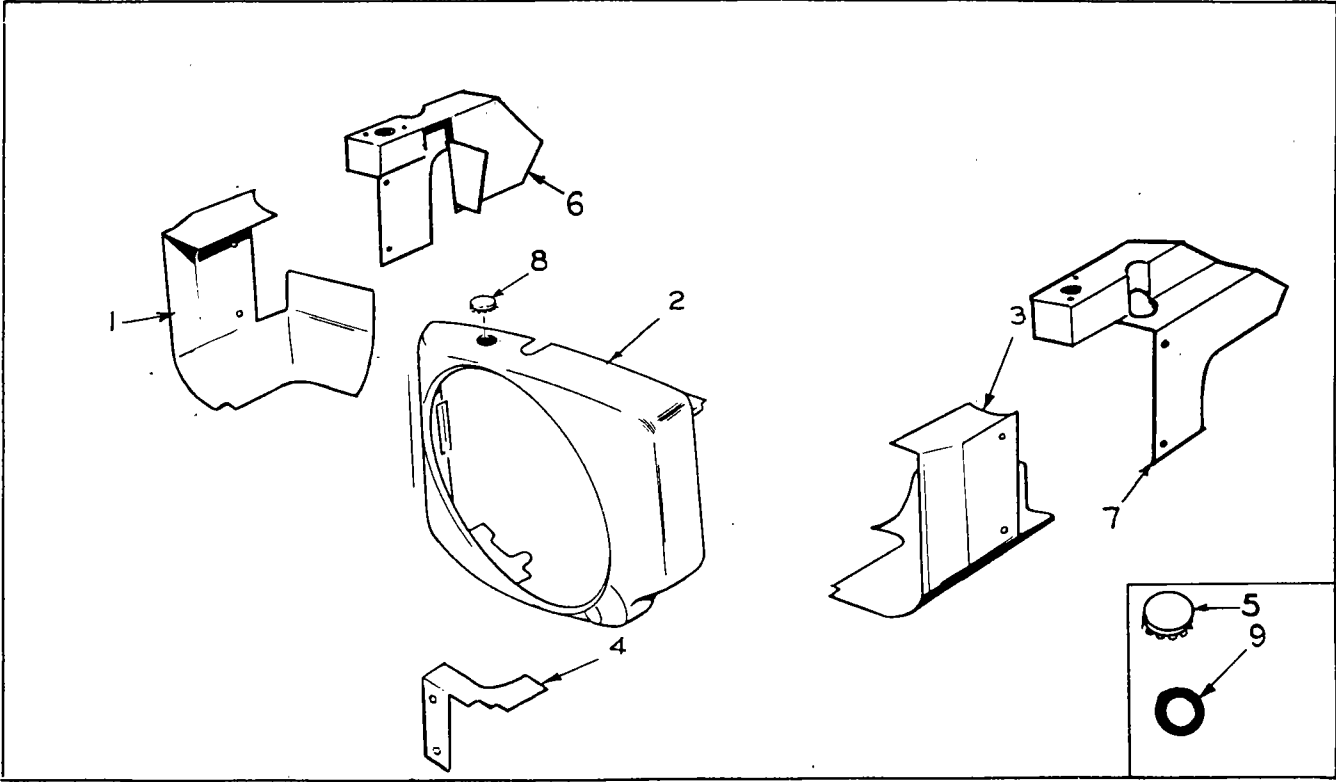


FIG. K - AIR HOUSING GROUP

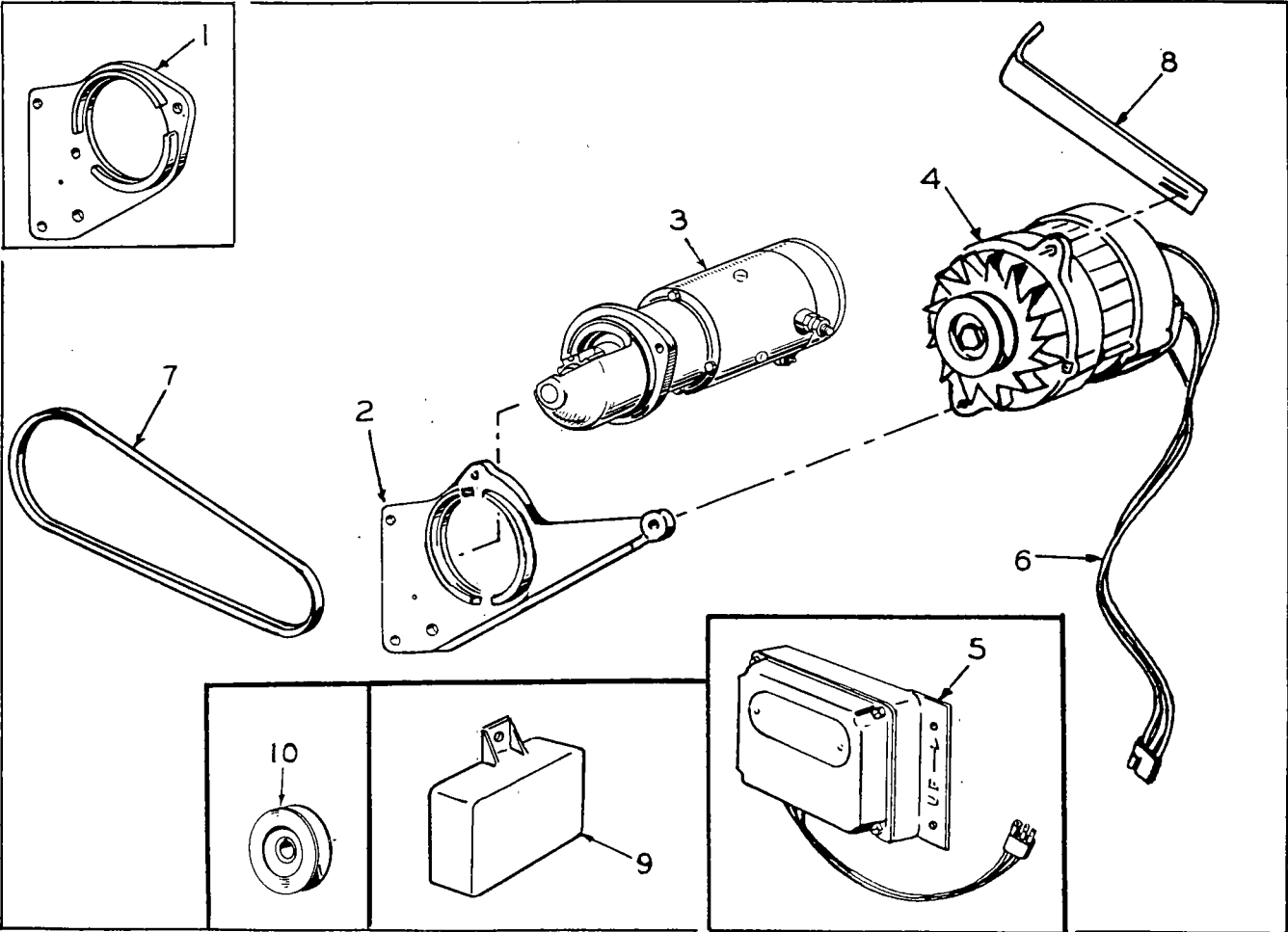


FIG. L - START MOTOR & ALTERNATOR GROUP

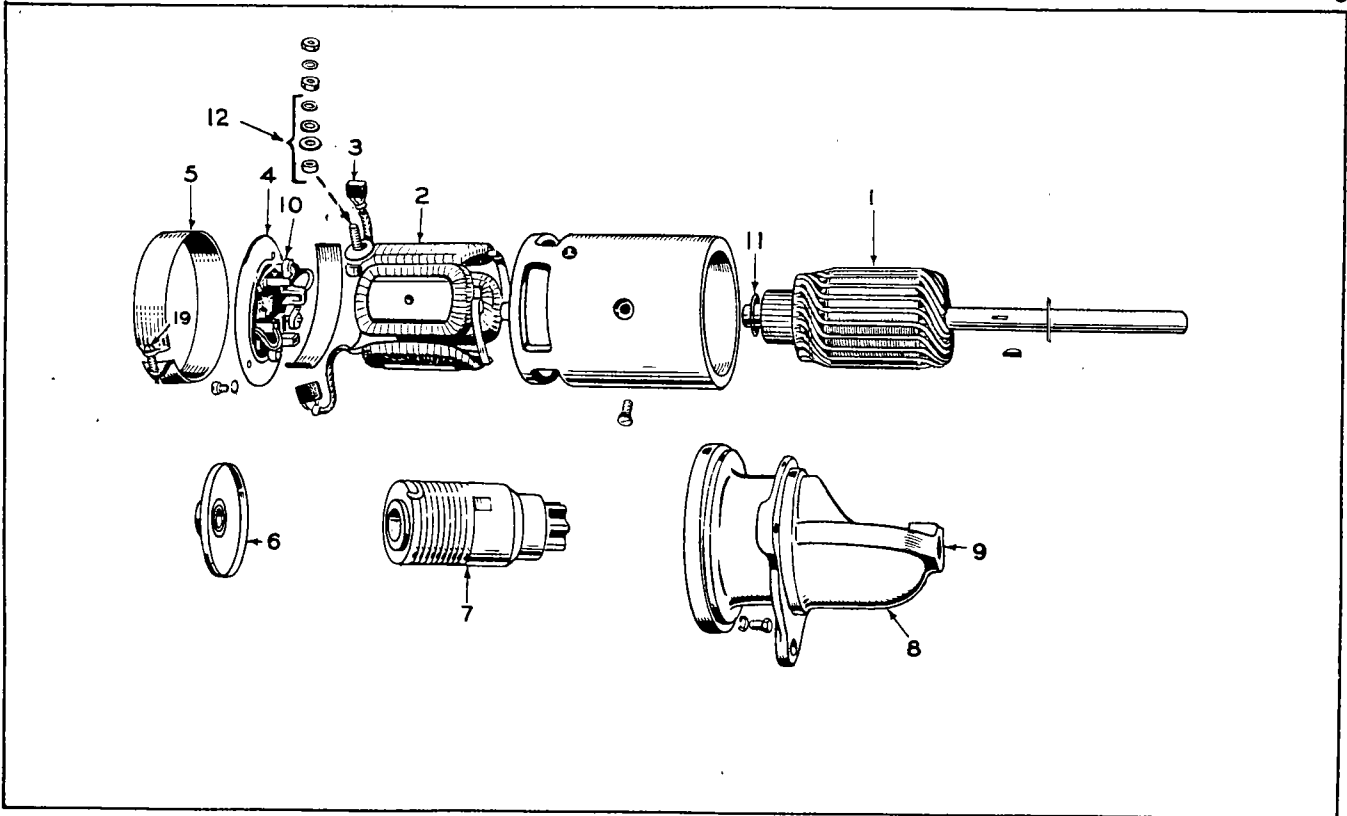


FIG. M - START MOTOR PARTS GROUP

## PARTS LIST

REF. NO.	PART NO.	QUANT. USED					DESCRIPTION
		A	B	C	D	E	
							FIG. A - CYLINDER BLOCK, OIL BASE AND GEAR COVER GROUP
9	103C224	1	1	1	1		Cover, Gear - Includes Oil Seal
9	103A296					1	Cover, Gear - Includes Oil Seal
10	103B11	1	1	1	1	1	Gasket, Gear cover
11	110A1019	1				1	Block, Cylinder - Includes Bearing Plate, Bearings, Valve Guides and Seats
11	110A1418		1	1	1		Block, Cylinder - Includes Bearing Plate, Bearings, Valve Guides and Seats
12	123B293	1	1	1	1	1	Cap, Breather Tube
13	123A678	1	1				Tube, Breather - Includes Baffle
13	123A129			1	1	1	Tube, Breather - Includes Baffles
13A	123-591	1					Baffle (Mesh), Breather Tube
13B	123A643	1					Retainer, Breather Tube Baffle
14	110A666	2	2	2	2	2	Cover, Valve
15	110A667	2	2	2	2	2	Gasket, Valve Cover
16	517-48	1				1	Plug, Expansion - Rear Camshaft Bearing Opening
17	520A114	5	5	5	5	5	Stud, Rear Bearing Plate
19	123A191	1	1	1	1	1	Gasket, Oil Fill
20	102B158	1	1	1	1	1	Gasket, Oil Base
22	110A892	2	2	2	2	2	Gasket, Cylinder Head
23	110D890	1					Head, Cylinder - Right Hand (No. 2)
23	110D884		1	1	1	1	Head, Cylinder - Right Hand (No. 2)
24	110D891	1					Head, Cylinder - Left Hand (No. 1)
24	110D883		1	1	1	1	Head, Cylinder - Left Hand (No. 1)
25	102E457	1					Base, Oil
25	102B551		1	1	1	1	Base, Oil
26	505-56		1	1	1	1	Plug, Pipe - 1/2 - Oil Base
28	505P435	1					Plug, Oil Drain - Magnetic
28	505-347		1				Plug, Oil Drain - Magnetic
28	505-497			1	1	1	Plug, Oil Drain - Magnetic
29	509A40	1	1	1	1		Seal, Oil - Gear Cover (Replaces #509A11)
29	509A97					1	Seal, Oil - Gear Cover
30	516A11	2	2	2	2	2	Pin, Dowel - Gear Cover Locating
31A	101K389	2	2	2	2	2	Bearing Kit, Crankshaft - Front or Rear - Includes Thrust Washer and Stop Pins - Specify Size: Standard, or, .002", .010", .020", or .030" Undersize
31B	104A575	2	2	2	2	2	Washer, Thrust - Crankshaft Bearing (Included with Bearing Kit)
32	101K115	1	1	1	1	1	Gasket Kit, Rear Bearing Plate
33	101C316	1	1	1	1	1	Plate, Rear Bearing - Less Bearing
34	101A367	2	2	2	2	2	Bearing, Camshaft Rear and Front - Precision Type - Standard Size Only (Replaces #101A49 and 101A50)
36	509A41	1	1	1	1	1	Seal, Oil - Bearing Plate (Replaces #509A1)
37	516A72	4	4	4	4	4	Pin, Drive - Crankshaft Thrust Washer Stop - (Included with Bearing Kit)
38	110A445	5	5	5	5	5	Nut, Hex - Bearing Plate Mounting - 5/16-24 -Hardened
39	123A104	1	1	1	1	1	Valve, Breather
40	526-63	2	2	2	2	2	Washer, Copper - Valve Cover or Fuel Pump Hole Plate
41	850-45	5	5	5	5	5	Washer, Lock - Bearing Plate Mounting - 5/16" Medium
42	141A78	1	1	1	1	1	Gasket, Oil Fill Tube
43	123B675	1	1	1	1	1	Tube, Oil Fill
44	110A879	8	8	8	8	8	Screw, Hex Head - Cylinder Head - 5/16"-18 x 1-1/4" - Hardened
45	114A22	10	10	10	10	10	Screw, Hex Head - Cylinder Head - 5/16"-18 x 1-3/4" - Hardened

# PARTS LIST

REF. NO.	PART NO.	QUANT. USED					DESCRIPTION
		A	B	C	D	E	
FIG. A - CYLINDER BLOCK, OIL BASE AND GEAR COVER GROUP							
46	120A386	1	1	1	1	1	Tube, Oil Passage - Internal, to rear main bearing
47	123A657	1	1	1	1	1	Cap and Indicator, Oil Fill
48	149A136				1	1	Plate, Fuel Pump Hole Cover
49	149A3				1	1	Gasket, Fuel Pump Hole Cover
FIG. B - VALVE GROUP							
1	110B881	2	2	2	2	2	Valve, Intake - Steel
2	110B880	2	2	2	2	2	Valve, Exhaust - Stellite
3	110A872	2	2	2	2	2	Insert, Exhaust Valve Seat - Specify: Standard, .002", .010" or .005" Oversize
5	110A902	4	4	4	4	4	Guide, Valve
6	110A539	4	4	4	4	4	Spring, Valve
7	110A893	2	2	2	2	2	Retainer, Intake Valve Spring
8	110A639	8	8	8	8	8	Lock, Retainer or Rotocap
9	115A6	4	4	4	4	4	Tappet, Valve
10	110A904	2	2	2	2	2	Rotocap, Exhaust Valve
FIG. C - CRANKSHAFT AND FLYWHEEL GROUP							
1	526A17	1					Washer, Flywheel Mounting
1	526A185		1	1	1	1	Washer, Flywheel Mounting
2	515-2	1	1	1	1	1	Key, Flywheel Mounting
3	104A170	1					Screw, Flywheel Mounting
3	104A369		1	1	1	1	Screw, Flywheel Mounting
4	134B1060	1					Flywheel - Includes Ring Gear
4	134B1192		1	1	1		Flywheel - Includes Ring Gear
4	134B1734					1	Flywheel - Includes Ring Gear
5	134C673	1	1	1	1	1	Gear, Ring - Flywheel
8	518-14	1	1	1	1	1	Ring, Snap - Crankshaft Gear Washer Retaining
9	104A43	1	1	1	1	1	Washer, Crankshaft Gear
10	105A72	1	1	1	1	1	Gear Set, Timing - Crankshaft & Camshaft Gears (Listed also in Camshaft Group)
11	104D436	1	1	1	1		Crankshaft
11	104D638					1	Crankshaft
12	515-1	1	1	1	1	1	Key, Crankshaft Gear
13	515-146	1	1	1	1	1	Key, Crankshaft - Power Take-off
14	104C614			1		1	Flywheel, Clutch
15	190A266			1		1	Housing, Clutch - Includes Bushings
16	190A267			1		1	Bearing, Clutch Pilot
17	815-298			1		1	Screw, Set-Clutch Flywheel
18	190A265			2		2	Bushing, Clutch Housing
FIG. D - CAMSHAFT AND GOVERNOR CUP GROUP							
6	105A72	1	1	1	1	1	Gear Set, Timing -Crankshaft & Camshaft Gears
7	105A4	1	1	1	1	1	Washer, Camshaft Gear Thrust
8	515-1	1	1	1	1	1	Key, Camshaft Gear Mounting
9	105C150	1					Camshaft
9	105B233		1	1	1		Camshaft - Includes Spark Advance Mechanism Pins
9	105C251					1	Camshaft
11	105A58	1	1	1	1	1	Plunger, Camshaft Thrust
12	105A59	1	1	1	1	1	Spring, Camshaft Plunger
13	160A791		1	1	1		Cam, Timing Control - Includes Pins
14	516-144		4	4	4		Pin, Roll - 7/16" - Camshaft and Timing Control Cam

## PARTS LIST

REF. NO.	PART NO.	QUANT. USED					DESCRIPTION
		A	B	C	D	E	
FIG. D - CAMSHAFT AND GOVERNOR CUP GROUP (Cont.)							
15	160A790		2	2	2		Weight Assembly, Timing Control - Includes Pins
16	516A146		2	2	2		Pin, Groove - 1" - Timing Control Cam
17	160A999		1	1	1		Retainer, Timing Control (Replaces #160A726)
18	518-185		2	2	2		Lock, Timing Control Retainer
19	160A727		1	1	1		Spring, Timing Control
20	110A1283		1	1	1		Cover, Timing Control
FIG. E - CONNECTING ROD AND PISTON GROUP							
3	112-71	2	2	2	2	2	Piston and Pin - Includes Pin Retaining Rings - Specify: Standard, .010", .020", .030" or .040" Oversize
4	112A69	2	2	2	2	2	Pin, Piston - Specify: Standard or .002" Oversize
5	112A3	4	4	4	4	4	Ring, Retaining - Piston Pin
6	114B28	2	2	2	2	2	Rod Assembly, Connecting (Forged) Includes Bushing and Place Bolts - Less Inserts
7	113A88	2	2	2	2	2	Ring Set, Piston - For One Piston - Includes Expander - Specify: Standard .010", .020", .030" or .040" Oversize
8	805-10	4	4	4	4	4	Bolt, Place - Connecting Rod
11	114A36	2	2	2	2	2	Bushing, Piston Pin - Connecting Rod
12	114B145	4	4	4	4	4	Insert Bearing, Connecting Rod - Specify: Standard, .002", .010", .020" or .030" Undersize (Replaces #114B55)
FIG. F - FUEL SYSTEM GROUP							
1	149D693	1	1	1			Pump, Fuel - ONAN Mfr.
2	149A648	1					Rod, Fuel Pump Primer
3	502-65	1	1				Elbow, Carburetor Inlet (45°)
3	502-2			1	1	1	Elbow, Carburetor Inlet
4	149A611	1	1	1			Line, Fuel - Fuel Pump to Carburetor
5	502-2	1	1	1			Elbow, Fuel Pump Outlet
5A	502-20	1	1	1			Elbow, Street - Fuel Pump Inlet
6	142A412	1					Carburetor - With Special Combined Throttle Lever and Throttle
6	142A435		1				Carburetor - With Special Combined Throttle Lever and Throttle
6	142A446			1	1	1	Carburetor - With Special Combined Throttle Lever and Throttle
7	145B266	1	1				Gasket, Carburetor Adapter to Manifold
9	154A360	2	2	2	2	2	Gasket, Exhaust Tube to Manifold
10	141A78	1	1	1	1	1	Gasket, Carburetor Mounting
11	153-263	1	1	1	1		Bracket and Clamp, Manual Choke Rod
12	154D656	1	1				Manifold, Intake
12	154D356			1	1	1	Manifold, Intake
13	154A13	2	2	2			Gasket, Intake Manifold to Cylinder Block
14	149A45	1	1	1			Spacer, Fuel Pump Mounting
15	149A3	2	2	2	1	1	Gasket, Fuel Pump Mounting or Hole Cover Plate
16	154C658	1					Tube, Exhaust - Left - #1-Cylinder
16	154C899		1	1		1	Tube, Exhaust - Left - #1-Cylinder
17	154C659	1					Tube, Exhaust - Right - #2-Cylinder
17	154C898		1	1		1	Tube, Exhaust - Right - #2-Cylinder
18	145B264	1	1				Adapter, Carburetor - Leveling Wedge
19	503-107	1	1	1	1	1	Clamp, Air Inlet To Carburetor
20	145A271	1					Inlet, Carburetor Air

# PARTS LIST

REF. NO.	PART NO.	QUANT. USED					DESCRIPTION
		A	B	C	D	E	
FIG. F - FUEL SYSTEM GROUP (Cont.)							
20	145A353		1		1		Inlet, Carburetor Air (Replaces #145A305)
20	145A367			1		1	Inlet, Carburetor Air
21	503-280	1	1		1		Clamp, Air Inlet to Sleeve
21	503-280			1			Clamp, Air Cleaner to Air Inlet
22	140A211	1					Sleeve, Air Cleaner Hose
23	855-11	2	2				Washer, Lock - Tooth Type, Countersunk - 1/4" - Carburetor Mounting
24	814-151	2	2				Screw, Flat Head Machine - 1/4-20 x 3/4" - Carburetor Mounting
25	526-63	2	2	2			Washer, Flat Copper - Fuel Pump Mounting
26	518-176	1	1	1	1		Clip, Carburetor Control Securing
27	140C865			1			Cleaner, Air - Complete
28	140-866			2			Element, Air Cleaner - Includes Gasket
29	140P837	1	1				Element, Air Cleaner
30	140B869			1			Body & Bracket, Air Cleaner
31	140B863			2			Plate, Element Retainer
32	140C862			2			Spring, Element Retainer Plate
33	520A114			4	4	4	Stud, Exhaust Tube to Manifold
FIG. G - CARBURETOR PARTS GROUP							
	142A412	1					Carburetor - With Special Combined Throttle Lever and Throttle Stop
	142A435		1				Carburetor - With Special Combined Throttle Lever and Throttle Stop
	142A446			1	1	1	Carburetor - With Special Combined Throttle Lever and Throttle Stop
	142K371	1					Repair Kit, Carburetor Parts - Includes Parts Marked * and **.
	142K428		1	1	1	1	Repair Kit, Carburetor Parts - Includes Parts Marked * and #.
	142-33	1	1	1	1	1	*Gasket Kit, Carburetor
1	815-103	1	1	1	1	1	Screw, Bowl Cover - #10-24 x 1/2"
1	815-109	2	2	2	2	2	Screw, Bowl Cover - #10-24 x 5/8"
2	815-91	2	2	2	2	2	*Screw, Choke Fly - #4-40 x 3/16"
3	142-55	1	1	1	1	1	Fly Assembly, Choke
4	142-205	1	1	1	1	1	Sleeve Assembly, Choke
5	142-217	1					Shaft Assembly, Choke
5	142-420		1	1	1	1	Shaft Assembly, Choke
6	142A39	1	1	1	1	1	*Shaft, Float
7	142A31	1	1	1	1	1	Gasket, Body to Bowl
8	148A17	2	2	1	1	1	Gasket, Float Valve Seat and Main Adjusting Needle Retainer
9	142-49	1	1	1	1	1	*Valve and Seat Assy., Float - Includes Gasket
10	142-32	1	1	1	1	1	Gasket, Nozzle
11	142-285	1	1	1	1	1	Nozzle Assembly
12	142-361	1	1	1	1	1	Float and Lever Assembly (Replaces #142-38)
13	142A410	1	1				Lever, Idle Stop & Throttle
13	145B361			1	1	1	Lever, Idle Stop & Throttle
14	142A40	1	1	1	1	1	*Needle, Idle Adjusting
15	142-282	1	1	1	1	1	Spring, Idle Needle Adjusting

## PARTS LIST

REF. NO.	PART NO.	QUANT. USED					DESCRIPTION
		A	B	C	D	E	
FIG. G - CARBURETOR PARTS GROUP (Cont.)							
16	142A35	1	1	1	1	1	Spring, Throttle Stop Adjusting Screw
17	812-65	1	1	1	1	1	Screw, Throttle Stop Adjusting - #6-32 x 5/8"
18	815-72	2	2	2	2	2	*Screw, Throttle Fly - #4-40 x 1/4"
19	142-369	1	1	1	1	1	Fly, Throttle
20	142A368	1	1				*Shaft Assembly, Throttle
20	142-454			1	1	1	*Shaft, Throttle
21	142-370	1					Nut and Jet, Nozzle
21	142-393		1	1	1	1	#Nut and Jet, Nozzle
22	142-46						Retainer, Main Adjusting Needle
23	142-206	1					Packing, Main Adjusting Needle
24	142-45	1					Retainer, Main Adjusting Needle Packing
25	516A27	1					Pin, Main Adjusting Needle
26	142-41	1					**Needle, Main Adjusting
27		1	1	1	1	1	Body Assembly - Not Sold Separately
28	505-53	1	1	1	1	1	Plug, Gas Inlet
29	142-42	1					Needle Assembly - Includes Packing Nut and Retainer
30	142-343	2	2	2	2	2	#Bushing, Throttle Shaft
31	813-102	1	1	1	1	1	Screw, Idle Stop and Throttle Lever Screw - #10-32 x 5/8"
32	870-53	1	1	1	1	1	Nut, Idle Stop and Throttle Lever Screw - #10-32 Hex Steel
33	142-15		1	1	1	1	Plug, Nozzle
<p>* and ** - Contained in Repair Kit #142K371.  * and # - Contained in Repair Kit #142K428.</p>							
FIG. H. - FUEL PUMP PARTS GROUP							
	149D693	1	1	1			Pump, Fuel
	149K526	1	1	1			Repair Kit, Fuel Pump - Includes Parts Marked*
1		1	1	1			Body, Upper - Not Sold Separately
2	815-148	4	4	4			Screw, Hex Head Self Tapping - #8-32 x 7/8" - Pump Assembly
3	815-147	2	2	2			Screw, Phillips Flat Head Self Tapping - #6-32 x 5/8" - Valve Retainer
4	149-96	2	2	2			*Valve and Cage
5	149A95	2	2	2			*Gasket, Valve
6	149A582	1	1	1			*Diaphragm Assembly
7	149A672	1	1	1			*Spring, Diaphragm
8	149A539	1	1	1			Retainer, Valve Cage
9	149A675	1	1	1			*Spring, Rocker Arm
10	516A113	1	1	1			Pin, Rocker Arm
11		1	1	1			Body, Lower - Not Sold Separately
12	149-710	1	1	1			Arm and Link Set (Individual Parts Not Supplied)
14	149A551	1	1	1			Lever, Hand Primer
15	509-65	2	2	2			Seal, "O" Ring
16	149A404	1	1	1			Spring, Fuel Pump Priming Lever
17	149A3	1	1	1			*Gasket, Fuel Pump Mounting
18	518-129	1	1	1			Ring, "E" Retainer - Priming Lever Shaft
19	149A858	1	1	1			*Gasket, Diaphragm
<p>* - Contained in Repair Kit #149K526.</p>							
FIG. I - OIL PUMP GROUP							
1	120A491	1	1	1	1	1	Pump, Oil - Internal Parts Not Sold Separately
2	120B400	1	1				Intake, Oil Pump - Includes Cup, Screen and Pipe

# PARTS LIST

15

REF. NO.	PART NO.	QUANT. USED					DESCRIPTION
		A	B	C	D	E	
FIG. I - OIL PUMP GROUP (Cont.)							
2	120B648			1	1	1	Intake, Oil Pump - Includes Cup, Screen and Pipe
3	120A187	1	1	1	1	1	Stud and Nut - By-Pass Adjusting
4	120A140	1	1	1	1	1	Spring, By-Pass Valve
5	120A398	1	1	1	1	1	Valve, By-Pass
6	120K161	1	1	1	1	1	Gasket Kit, Oil Pump
7	526-66	1	1	1	1	1	Washer, Copper - By-Pass Stud Nut
8	193A108	1					Sender, Oil Pressure
9	226A577	1					Lead, Oil Pressure Sender
10	501A118		1		1		Line, Flexible Oil
10	501A9			1		1	Line, Flexible Oil
11	502A20			1		1	Elbow, Street - Oil Line to Block
11	502-2		1		1		Elbow, Inverted - Oil Line to Block
12	122-75	1	1				Element, Oil Filter
13	333-114						Heater, Oil Immersion (Optional Equip.)
14	323-397						Base, Heater Male Plug (Optional Equip.)
15	323-396						Boot, Heater Plug Base (Optional Equip.)
FIG. J - IGNITION GROUP							
1	160A930	1	1	1	1	1	Cover, Breaker Box (Replaces #160A152)
2	160A150	1	1	1	1	1	Gasket, Breaker Box Cover
3	160A75	1	1	1	1	1	Cam, Point Gap Adjusting
4	160A2	1	1	1	1	1	Point Set, Breaker
5	166A376		1				Bracket, Coil and Resistor Mounting
5	166A438			1	1	1	Bracket, Coil and Resistor Mounting
6	312A69	1	1	1	1	1	Condenser, Breaker Points
8	160A43	2	2	1	1	1	Gasket, Breaker Box and Spacer Mounting
9	508-5	2					Grommet, Spark Plug Cable - Blower Housing
10	160A776	1	1				Plunger, Breaker - Includes Plunger, Diaphragm and Guide (Replaces #160A636)
10	160A723			1	1	1	Plunger, Breaker
11	167A1308	1					Cable, Spark Plug - Right Hand (Short)
11	167A1073		1				Cable, Spark Plug - Right Hand (Short)
11	167A1408			1	1	1	Cable, Spark Plug - Right Hand (Short)
12	160C792	1					Coil, Ignition (Replaces #160C483)
12A	166C346		1	1	1	1	Coil, Ignition
13	167A1309	1					Cable, Spark Plug - Left Hand (Long)
13	167A1459		1				Cable, Spark Plug - Left Hand (Long)
13	167A1491			1	1	1	Cable, Spark Plug - Left Hand (Long)
15	167-177	2	2	2	2	2	Plug, Spark
16	160A642	1	1				Box Assembly, Breaker - Complete
16A	160A963			1	1	1	Box Assembly, Breaker - Complete
17	160A488	1					Clamp, Coil
17A	503P458		1	1	1	1	Clamp, Coil
18	160A558	2	2	2	2	2	Nipple, Rubber - Coil
20	160A428	1	1	1	1	1	Strap, Point Set to Terminal Block
21	332A319	1	1	1	1	1	Block, Insulator - Terminal
22	332A284	1	1	1	1	1	Screw, Terminal
24	336A565	1	1				Lead, Breaker Box Ground
24	336A1574				1		Lead, Breaker Box Ground
25	160A261	1	1				Wick, Breaker Box Oil Drain
26	304A60	1	1	1	1	1	Resistor, Ignition - For 12-Volt System



## PARTS LIST

REF. NO.	PART NO.	QUANT. USED					DESCRIPTION
		A	B	C	D	E	
FIG. J - IGNITION GROUP (Cont.)							
27	336A1270	1					Lead, Ignition Coil
27	336A723		1	1	1	1	Lead, Ignition Coil
28	304-14	2	2	2	2	2	Washer, Resistor Centering
29	336A1045	1	1	1	1	1	Lead, Resistor
30	160B633	1	1				Spacer, Breaker Box
31	508A2	1					Grommet, Primary Lead - Blower Housing
32	304A610		1	1	1	1	Support, Resistor Terminal
33	160A929			1	1	1	Bushing, Breaker Box Plunger - Included with Breaker Box Assy.
34	160A263	1	1	1	1	1	Diaphragm, Breaker Plunger
FIG. K - AIR HOUSING GROUP							
1	134D589	1	1				Housing, Cylinder Air - L.H.
1	134D1644			1	1	1	Housing, Cylinder Air - L.H.
2	134D1058	1	1				Housing, Blower
2	134D1647			1		1	Housing, Blower
2	134C1731				1		Housing, Blower
3	134C1075	1	1				Housing, Cylinder Air - R.H.
3	134D1645			1	1	1	Housing, Cylinder Air - R.H.
4	134B670	1	1	1		1	Baffle, Air
5	517-9	1					Button, Dot
6	134D1638			1		1	Shield, Heat - R.H.
7	134D1639			1		1	Shield, Heat - L.H.
8	517-35			1	1	1	Button, Dot - Timing Hole
9	508-84				1		Grommet, Rubber - Oil Line
FIG. L - START MOTOR & ALTERNATOR GROUP							
1	191C129	1					Flange, Starter Mounting
2	191C575			1		1	Bracket, Starter and Alternator Mounting
3	191C150	1	1				Motor, Starter (See Separate Group for Components)
3	191C511			1		1	Motor, Starter (See Separate Group for Components)
4	191-543		1				Alternator, Battery Charging - 12-V
4	191-620			1			Alternator, Battery Charging - 12-V (Less Pulley & Regulator)
4	191P660					1	Alternator, Battery Charging - 12-V (Less Pulley & Regulator)
5	191-542		1				Regulator, Voltage - 12-V
6	191-544		1				Cable, Alternator Connector
7	511-76			1		1	Belt, Alternator
8	191B576			1		1	Tightener, Belt
9	191-621			1		1	Regulator, Voltage - 12-V
10	191-622			1		1	Pulley, Alternator
FIG. M - START MOTOR PARTS GROUP							
NOTE: Order component parts marked * from your nearest Prestolite dealer, giving Prestolite No. listed after the part description, also furnish Prestolite							
	191C150	1	1				Motor, Starter
	191C511			1		1	Motor, Starter

# PARTS LIST

REF. NO.	PART NO.	QUANT. USED					DESCRIPTION
		A	B	C	D	E	
FIG. M - START MOTOR PARTS GROUP (Cont.)							
1	191-517	1	1	1		1	Armature
2	*	1	1	1		1	Coil Assembly Package, Field - #P20-14
3	191-513	1	1	1		1	Brush Set, Service
4	*	1	1	1		1	Head Assembly, Brush End - #P19-27
5	*	1	1	1		1	Band, Cover - #P36-321
6	*	1	1	1		1	Bearing Assembly, Intermediate - #P36-4
7	191P271	1	1	1		1	Drive Assembly, Bendix
8	*	1	1			1	Housing, Pinion - #P21-156
8	*			1		1	Housing, Pinion - #P21-277
9	*	1	1	1		1	Bearing, Drive End - #P24-23
10	*	1	1	1		1	Spring Set, Brush (Set of 4) - #P50-263
11	*	1	1	1		1	Washer, Armature Thrust (Pkg. - Use as Required) - #P90-263
12	*	1	1	1		1	Terminal, Stud (Pkg.) - #P90-333
BATTERY CHARGING ALTERNATOR PARTS GROUP (Not Illustrated)							
NOTE: Order component parts marked * from your nearest dealer, giving manufacturers No. listed after the part description, also check nameplate and furnish manufacturers alternator No.							
	191-543	1					Alternator, Battery Charge - 12-V Motorola
	191-620			1			Alternator, Battery Charge - 12-V Prestolite
	191P660					1	Alternator, Battery Charge - 12-V Prestolite
	*	1					Bearing, Ball-Brush End - #11-2
	*			1		1	Bearing, Ball-Brush End - #X-3433
	*	1					Bearing, Ball - Drive End - # 11-1
	*			1		1	Bearing, Ball - Brush End - #X-3416
	*	4					Bolt, Housing Thru - # 20-1
	*			1		1	Bolt Package, Thru - #ALA-20BS
	*	1					Brush & Holder Assembly - # 3-1
	*			1		1	Brush & Holder Assembly - #ALE-1045
	*	1					Cover, Brush Holder - #3-3
	*			1		1	Brush Set - #ALE-1012KS
	*			1		1	Spring Set, Brush - #ALA-19S
	*	1					Diode Assembly, Isolation - #1-3
	*			1		1	Diode, Output - #P90-761
	*	1					Diode Assy., Negative (3 diodes with black print) - #1-2
	*			1			Diode, Negative - Isolation - #XA-944C
	*					3	Diode, Negative - #XA-944J
	*	1					Diode Assy., Positive (3 diodes with red print) - #1-1
	*			3			Diode, Positive - #XA-943C
	*					3	Diode, Positive - #XA-943F
	*	1					Fan, Ventilation - #7-8
	*			1		1	Fan, Ventilation - #PU-625
	*	1					Housing, Front - #14-1
	*			1			Housing, Front - #ALE-1043E
	*					1	Housing, Front - #ALE-1043K
	*	1					Housing, Rear - #14-2

## PARTS LIST

REF. PART NO. NO.	QUANT. USED					DESCRIPTION
	A	B	C	D	E	
						BATTERY CHARGING ALTERNATOR PARTS GROUP (Not Illustrated) (Cont.)
*			1			Housing, Rear - # ALE-1042GS
*					1	Housing, Rear - # ALE-1042ES
*		2				Insulator Sleeve - Pos. Diode Mtg. Stud - #15-1
*		1				Nut, Rotor Shaft - #20 - 4
*			1		1	Nut, and Washer Package - #P90-33
*		1				Pulley - #7-1
*			1		1	Pulley - #PU-668 (Not Included with Alternator)
*		1				Retainer, Rear Bearing - Rubber - #11-4
*		1				Seal, "O" Ring - #XA-744AN
*		1				Rotor Assembly - #12-1
*			1		1	Rotor Assembly - #ALK-2046
*		1				Spacer, Fan & Pulley - #20-6
*			1		1	Spacer, Fan & Pulley - #ALC-21D
*		1				Stator Assembly - #13-1
*			1			Stator Assembly - #ALE-2008M
*		1				Retainer, Front Bearing - #11-3
*			1			Plate, Rectifier - #ALE-54
*					1	Plate, Rectifier - #ALE-54B
*			1		1	Insulation, Brush Holder Cover - #ALE-55
*			1		1	Terminal Stud & Parks Pkg. - #P90-511A
						SERVICE KITS AND MISCELLANEOUS
						For other kits refer to the group for the part in question.
168K67	1	1	1			Gasket Kit, Complete Engine (Except, Carburetor Adapter to Manifold Gasket 145B266 is not included).
168K88					1	Gasket Kit, Complete Engine

TO ADD GOVERNOR ON CCK-MS/1070F. *to make it 1204F*

QTY.	PART NO.	DESCRIPTION	UNIT PRICE
1	103 207	GEARCASE	
1	105 192	GEAR SET	
1	105B234	CAMSHAFT	
1	150A40	BRACKET	
<b>[REDACTED]</b>			
1	150A78	RING	
1	150A96	STUD	
1	150A98	SPRING	
1	150B612	CUP <del>150B612</del>	
1	150A630	LINKAGE	
2	160A724	WEIGHT	
1	160A725	CAM	
	<i>160A999</i>		
<b>[REDACTED]</b>			
1	160A727	SPRING	
<i>5</i>	510P15	BEARING	
1	515 1	KEY	
<b>[REDACTED]</b>			
2	516 145	PIN	
2	516A146	PIN	
1	518 6	CLIP	
2	518 185	RING	
1	870 131	NUT <del>150A131</del>	
1	<i>110A1283</i>	<i>Cover</i>	