

The following catalog has gaps in its page numbers, or doesn't have any numbers. We have chosen to leave the page numbering in the order that Acrobat assigns it.

1 A3 ***** DATA TABLE

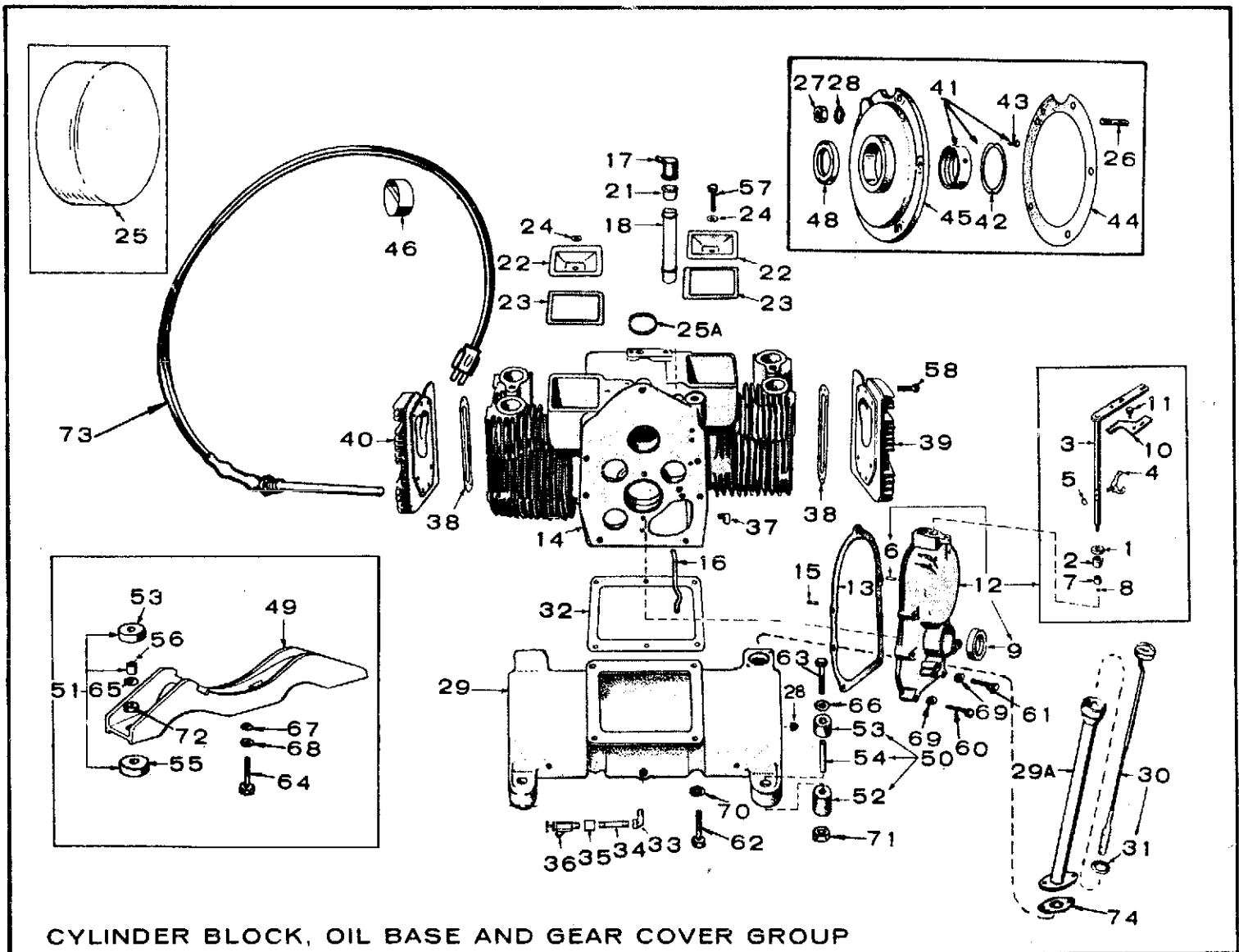
STANDARD GROUPS

FICHE LOCATION	ILLUSTRATION
1 A7 *****	CAMSHAFT
1 A11 *****	CARBURETOR PARTS
1 A13 *****	CARRYING FRAME AND BATTERY
1 A9 *****	CONNECTING ROD AND PISTON
1 B3 *****	CONTROL
1 A7 *****	CRANKSHAFT AND FLYWHEEL
1 A5 *****	CYLINDER BLOCK, OIL BASE AND GEAR COVER
1 B1 *****	DOLLY-OPTIONAL
1 A11 *****	FUEL SYSTEM
1 B1 *****	FUEL SYSTEM (LPG)-OPTIONAL
1 B5 *****	GENERATOR
1 A13 *****	GOVERNOR AND THROTTLE
1 A13 *****	HOUSING, STOP BUTTON AND GAGE
1 A9 *****	IGNITION
1 A13 *****	PUMP PARTS, FUEL
1 A11 *****	PUMP, OIL
1 A7 *****	VALVE

927-1060
225 AMP WELDER - CCK SERIES
PARTS CATALOG

This catalog applies to the 225 Ampere Welder. Parts are arranged in groups of related items. Each illustrated part is identified by a reference number corresponding to the same reference number below the illustration. Parts illustrations are typical. Unless otherwise mentioned in the description, parts are interchangeable between models. Right and left welder sides are determined by facing the engine end (front) of the welder.

The Specification Letter, which completes the specification on the nameplate (Example: 7.0CCK-381E/1J) advances (A to B, B to C etc.) with manufacturing changes. Welders with the suffix numbers 4323, 4324, 4325, or 4443 (following the diagonal line) are the same as number 1, except the paint color.



CYLINDER BLOCK, OIL BASE AND GEAR COVER GROUP

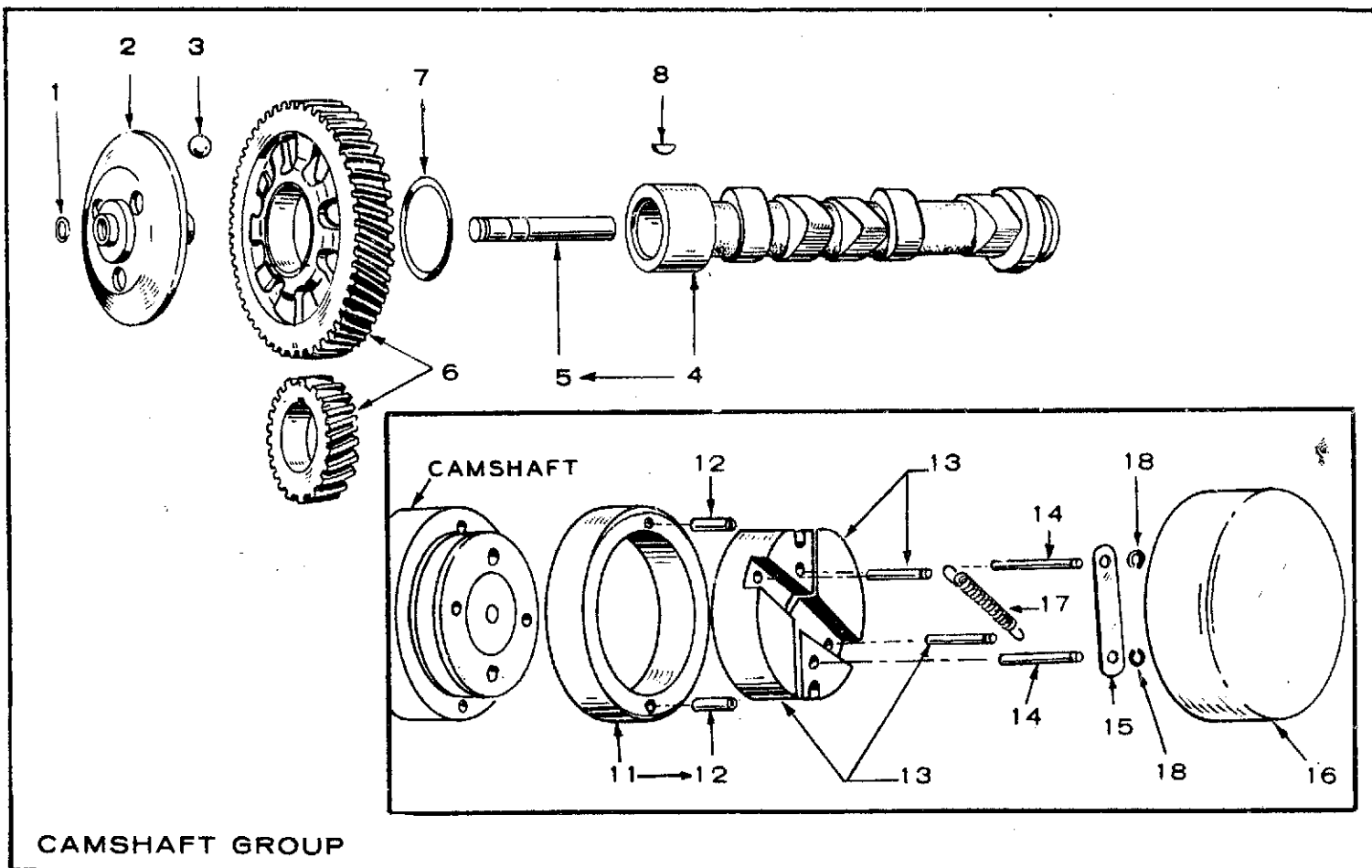
REF. NO.	PART NO.	QTY. USED	PART DESCRIPTION	REF. NO.	PART NO.	QTY. USED	PART DESCRIPTION
1	509-0008	1	Seal, Governor Shaft	25	110-1283	1	*Cover, Timing Control - Spec J through M
2	510-0013	1	Bearing, Governor Shaft - Upper	25A	517-0048	1	Plug, Camshaft - Expansion - Begin Spec L
3	150-0377	1	Shaft and Arm, Governor	26	520-0114	5	*Stud, Rear Bearing Plate Mountin - 5/16 x 1-5/16"
4	150-0236	1	Yoke, Governor Shaft	27	110-0445	5	*Nut, Rear Bearing Plate
5	518-0129	1	Ring, Yoke Retainer	28	851-0005	5	*Washer, Lock - 5/16 x Special Width - Rear Bearing Plate
6	516-0130	1	Pin, Roll - Governor Cup Stop	29	102-0440	1	Base, Oil
7	510-0008	1	Bearing, Governor Shaft - Lower	29A	123-0901	1	Tube, Oil Fill
8	510-0014	1	Ball, Bearing - Governor Shaft	30	123-0882	1	Cap, Oil Fill - Includes Cap Gasket & Oil Level Indicator
9	509-0040	1	Seal, Oil - Gear Cover	31	123-0191	1	Gasket, Oil Fill Cap
10	150-1000	1	Extension, Governor Arm - Fastens to Governor Arm	32	102-0158	1	Gasket, Oil Base Mounting
11	815-0181	1	Screw, Self Tapping - Bracket Fastening - 10-32 x 1/2"	33	ELBOW, OIL DRAIN		
12	103-0207	1	Cover Assembly Gear - includes Cover plus Items 1 through 11		505-0120	1	Early Models 3/8" - 90°
13	103-0011	1	Gasket, Gear Cover		505-0050	1	Later Models 1/2" - 90°
14	110-1516	1	Block Assembly Cylinder Includes Parts Marked *	34	NIPPLE, OIL DRAIN		
15	516-0011	2	*Pin, Gear Cover - 5/16 x 1-1/8"		505-0125	1	Early Models 3/8" x 6"
16	120-0386	1	*Tube, Oil - Crankcase Internal, To Rear Main Bearing		505-0082	1	Later Models 1/2" x 5-1/2"
17	123-0293	1	Cap, Breather Tube Rubber	35	COUPLING, OIL DRAIN		
18	123-0129	1	Tube, Breather - Less Valve & Baffle		505-0028	1	Early Models 3/8"
21	123-0104	1	Valve, Breather Tube		505-0014	1	Later Models 1/2"
22	110-0666	2	Cover, Valve Compartment	36	504-0080	1	Valve, Oil Drain - 3/8"
23	110-0667	2	Gasket, Valve Complete Cover	37	502-0020	1	Elbow, Street - Oil Line to Block
24	526-0063	2	Washer, Copper - Valve Complete Cover	38	110-0892	2	Gasket Cylinder Head
				39	110-0884	1	Head, Cylinder - RH
				40	110-0883	1	Head, Cylinder - LH

* - Parts Included in Cylinder Block Assembly.

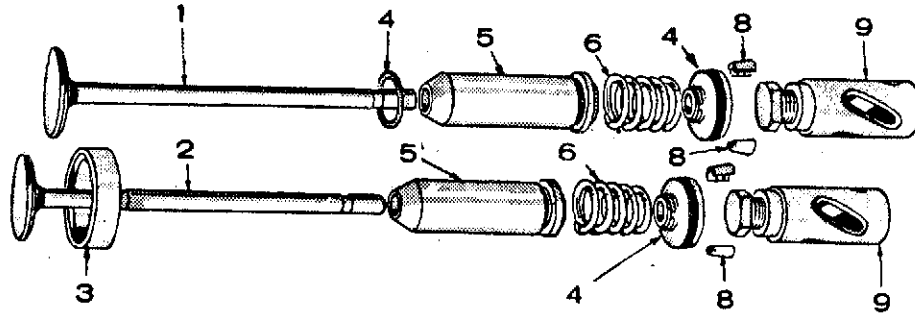
REF. NO.	PART NO.	QTY. USED	PART DESCRIPTION
41	*BEARING KIT, CRANKSHAFT - PRECISION		
	101-0420	2	Standard
	101-0420-02	2	.002" Undersize
	101-0420-10	2	.010" Undersize
	101-0420-20	2	.020" Undersize
	101-0420-30	2	.030" Undersize
42	104-0575	2	Washer, Crankshaft Bearing Thrust - Included in Bearing Kit
43	516-0072	4	Pin, Crankshaft Thrust Washer Lock - Included in Bearing Kit
44	101-0115	1	*Gasket Kit, Rear Bearing Plate
45	101-0316	1	*Plate, Rear Bearing (Less Bearing)
46	101-0367	2	*Bearing, Camshaft - Front & Rear
47	505-0019	1	Bushing, Reducer Oil Drain (1/2" to 3/8") - Later Models Only
48	509-0041	1	Seal, Oil - Rear Bearing Plate
49	232-1368	1	Support, Generator
	CUSHION ASSEMBLY, PLANT MOUNTING		
50	402-0226	2	Engine End
51	402-0223	2	Generator End
52	402-0038	2	Cushion, Mtg. (Lower) Engine End
53	402-0131	4	Cushion, Mtg. (Upper) Engine End (2), Generator End (2)
54	402-0137	2	Bushing, Spacer - Engine End
55	402-0192	2	Cushion, Mtg. (Lower) Generator End
56	402-0193	2	Bushing (Sleeve), Mounting - Generator End

REF. NO.	PART NO.	QTY. USED	PART DESCRIPTION
	SCREW, CAP - HEX HEAD		
57	800-0011	2	1/4-20 x 2" - Valve Complete Cover Mounting
58	110-0879	8	5/16-18 x 1-1/4" - Cylinder Head Mounting
59	114-0022	10	5/16-18 x 1-3/4" - Cylinder Head Mounting
60	800-0032	4	5/16-18 x 1-3/4" - Gear Cover Mounting
61	800-0034	1	5/16-18 x 2-1/4" - Gear Cover Mounting
62	102-0455	4	3/8-16 x 1-1/4" - Oil Base Mounting
63	800-0037	2	5/16-18 x 3" - Engine Mounting
64	800-0050	2	3/8-16 x 1" - Generator Support Mounting
65	526-0076	2	Washer, Flat - Generator Mtg. (11/32)
66	526-0076	4	Washer, Flat - Engine Mtg. (11/32)
67	526-0080	2	Washer, Flat - Generator Support (3/8)
68	850-0050	2	Washer, Lock - Generator Support (3/8)
69	850-0045	5	Washer, Lock - Gear Case Mtg.
70	850-0050	4	Washer, Lock - Oil Base Mtg. (3/8)
71	870-0048	2	Nut, Huglock - Engine Mtg. (5/16-18)
72	870-0045	2	Nut, Huglock - Generator Mtg. (5/16-18)
73	102-0558	1	Heater, Oil Base (Optional)
74	141-0078	1	Gasket, Oil Fill Tube Mounting

* - Parts Included in Cylinder Block Assembly

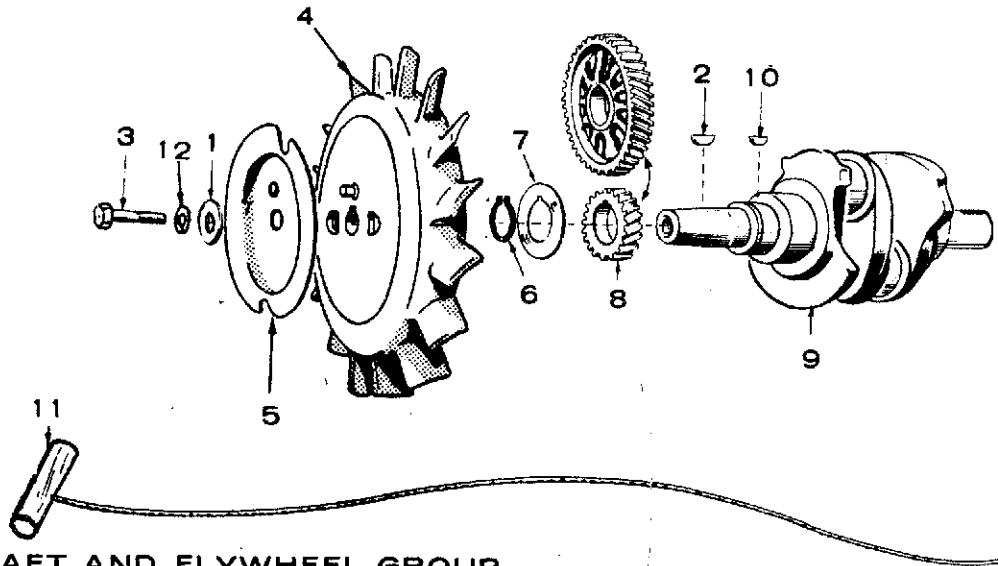


<u>REF. NO.</u>	<u>PART NO.</u>	<u>QTY. USED</u>	<u>PART DESCRIPTION</u>
1	150-0078	1	Ring, Camshaft Center Pin Snap
2	150-0612	1	Cup, Governor
3	510-0015	5	Ball, Fly - Governor
4	CAMSHAFT		
	105-0234	1	Spec J through M
	105-0238	1	Begin Spec L
5	150-0075	1	Pin, Camshaft Center
6	105-0353	1	Gear Set, Timing - Includes Crank Gear, & Cam Gear with Flyball Spacer & Plate (also in Crankshaft & Flywheel Group)
7	105-0004	1	Washer, Thrust, Cam Gear
8	515-0001	1	Key, Camshaft Gear Mounting
12	516-0144	4	Pin, Roll - 7/16" Timing Control - Spec J through M
13	160-0789	2	Weight Assembly, Includes Pins - Timing Control - Spec J thru M
14	516-0146	2	Pin, Groove - 1" - Timing Control Cam - Spec J through M
15	160-0726	1	Retainer, Timing Control - Spec J through M
16	110-1283	1	Cover, Timing Control - Spec J through M
17	160-0727	1	Spring, Timing Control - Spec J through M
18	518-0185	2	Lock, Timing Control - Spec J through M
19	160-0791	1	Cam, Timing Control - Spec J through M



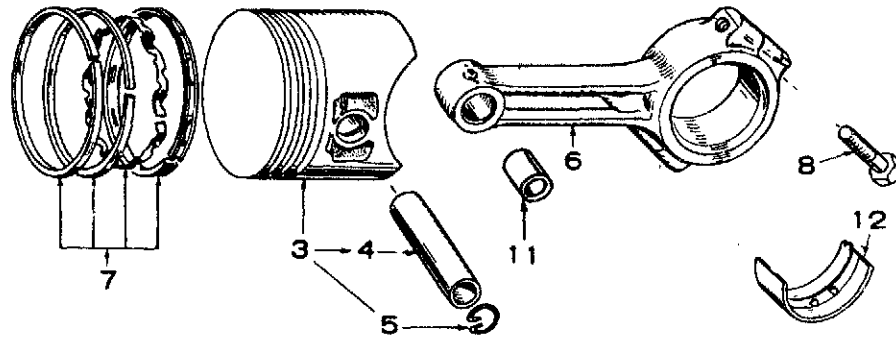
VALVE GROUP

REF. NO.	PART NO.	QTY. USED	PART DESCRIPTION	REF. NO.	PART NO.	QTY. USED	PART DESCRIPTION
1	110-1037	2	Valve, Intake - Stellite	5	110-0902	4	Guide, Valve
2	110-0880	2	Valve, Exhaust - Stellite	6	110-0539	4	Spring, Valve
3	INSERT, VALVE SEAT - STELLITE			8	110-0639	8	Lock, Rotocap or Spring Retainer Washer
	110-0872	2	Exhaust				
	110-1000	2	Intake	9	115-0006	4	Tappet, Valve
4	110-0904	4	Rotocap, Valve				



CRANKSHAFT AND FLYWHEEL GROUP

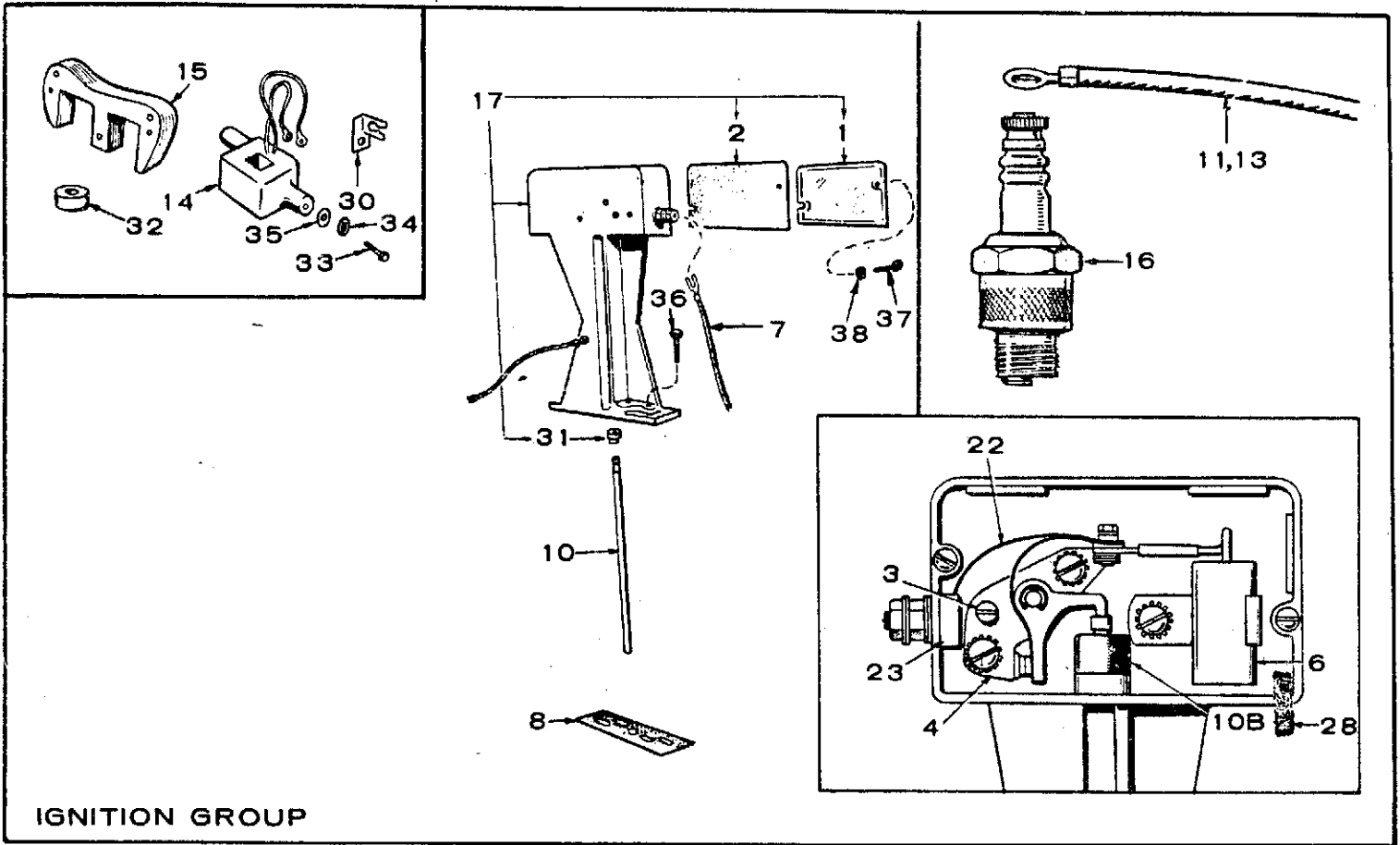
REF. NO.	PART NO.	QTY. USED	PART DESCRIPTION
1	526-0017	1	Washer, Flywheel Mounting
2	515-0002	1	Key, Flywheel Mounting - Steel
3	104-0170	1	Screw, Flywheel Mounting
4	FLYWHEEL, MAGNETO - LESS ROPE SHEAVE		
	160-0761	1	Spec J through M
	160-0937	1	Begin Spec L
5	192-0308	1	Sheave, Rope
6	518-0014	1	Lock, Crankshaft Gear Washer
7	104-0043	1	Washer, Crankshaft Gear Retainer
8	105-0353	1	Gear Set, Timing - Includes Crank Gear & Cam Gear with Flyball Spacer & Plate - (Also in Camshaft Group)
9	104-0578	1	Crankshaft
10	515-0001	1	Key, Crank Gear Mounting
11	192-0083	1	Rope Starting
12	850-0055	1	Lockwasher Mounting Flywheel (7/16)



CONNECTING ROD AND PISTON GROUP

REF. NO.	PART NO.	QTY. USED	PART DESCRIPTION
3	PISTON & PIN ASSEMBLY - Includes Retainer Rings		
	112-0073	2	Standard
	112-0073-05	2	.005" Oversize
	112-0073-10	2	.010" Oversize
	112-0073-20	2	.020" Oversize
	112-0073-30	2	.030" Oversize
	112-0073-40	2	.040" Oversize
4	112-0069	2	Pin, Piston - Specify: Std.
5	112-0003	4	Ring, Piston Pin Retainer
6	114-0144	2	Rod, Connecting (Forged) - Includes Bushing & Place Bolts

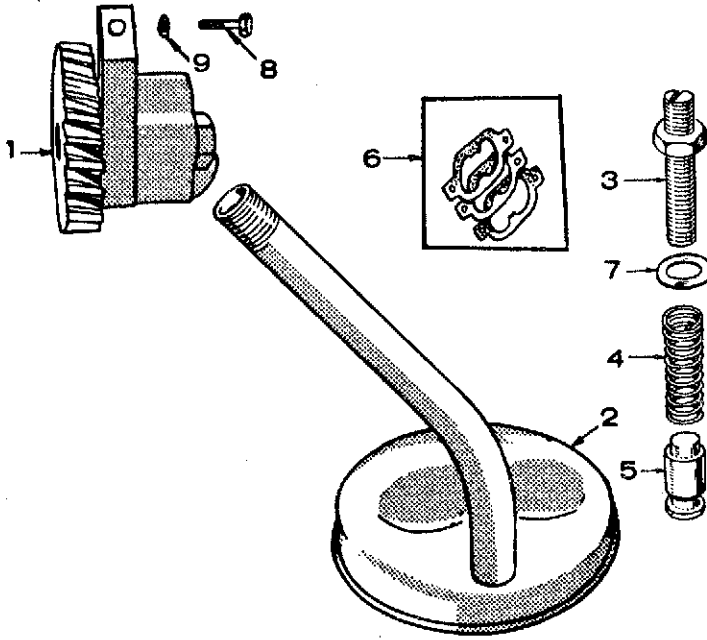
REF. NO.	PART NO.	QTY. USED	PART DESCRIPTION
7	RING SET, PISTON		
	113-0089	2	Standard
	113-0089-05	2	.005" Oversize
	113-0089-10	2	.010" Oversize
	113-0089-20	2	.020" Oversize
	113-0089-30	2	.030" Oversize
	113-0089-40	2	.040" Oversize
8	805-0010	4	Bolt, Place - Connecting Rod Caps
11	114-0036	2	Bushing, Piston Pin - Connecting Rod
12	BEARING HALF, CONNECTING ROD		
	114-0145	4	Standard
	114-0145-02	4	.002" Undersize
	114-0145-10	4	.010" Undersize
	114-0145-20	4	.020" Undersize
	114-0145-30	4	.030" Undersize



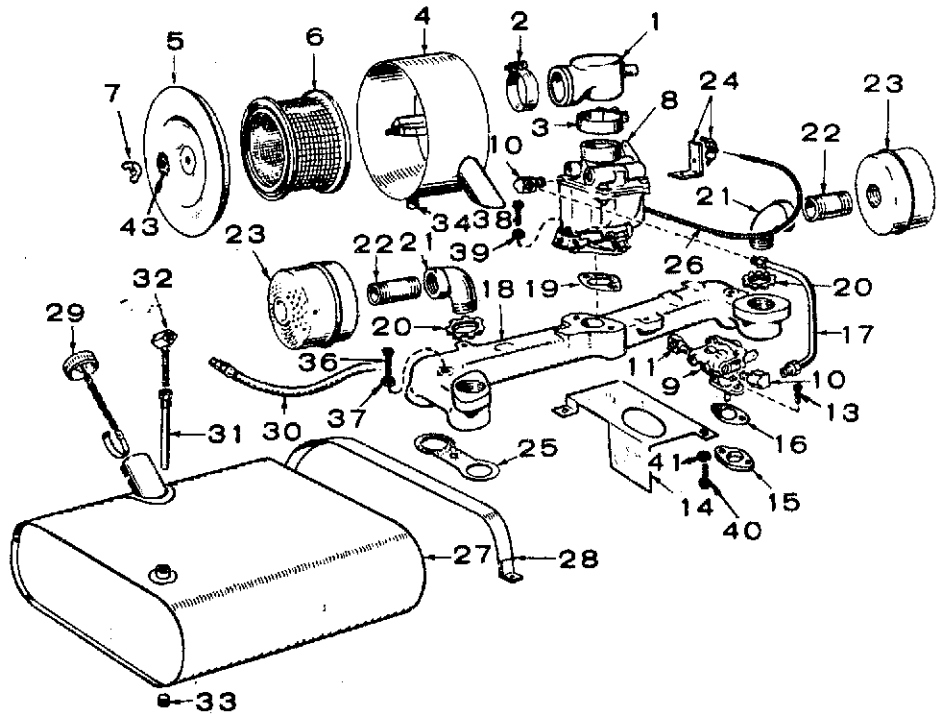
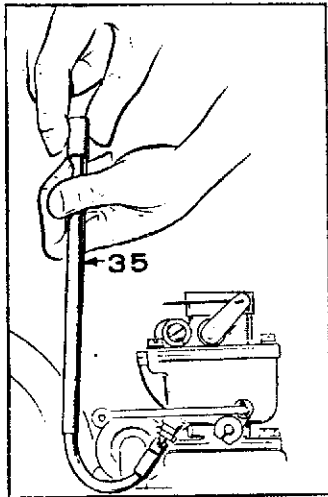
IGNITION GROUP

<u>REF. NO.</u>	<u>PART NO.</u>	<u>QTY. USED</u>	<u>PART DESCRIPTION</u>
1	160-0930	1	Cover, Breaker Box
2	160-0150	1	Gasket, Breaker Box Cover
3	160-0075	1	Cam, Point Gap Adjusting
4	160-0002	1	Point Set, Ignition Breaker
6	312-0069	1	Condenser, Breaker Box - 0.3 Mfd.
7	336-1022	1	Lead, Breaker Box to Ignition Switch
8	160-0043	1	Gasket, Breaker Box
10	160-0723	1	Plunger Only, Breaker
10B	160-1143	1	Diaphragm, Breaker Plunger
11	167-1404	1	Cable, Spark Plug - RH
13	167-1403	1	Cable, Spark Plug - LH
14	160-0750	1	Coil, Magneto Stator
15	160-0749	1	Pole Shoe, Magneto Stator
16	167-0241	2	Plug, Spark
17	160-0963	1	Box Assembly, Ignition Breaker - Includes Cover & Gasket
22	160-0428	1	Strap, Point Set to Breaker Box Terminal Block
23	160-0349	1	Block and Terminal, Breaker Box
28	160-0261	1	Wick, Breaker Box
30	167-0188	4	Clip, Spark Plug Cable
31	160-0929	1	Bushing, Breaker Box Plunger
32	526-0015	4	Washer, Polehoe Mounting (11/16" Thick)
33	815-0259	2	Screw, H.H. Thread Cutting Mtg. Stator (1/4-20 x 1-3/8")
34	850-0040	2	Lockwasher, Mounting Stator (1/4")
35	526-0184	2	Flatwasher Mounting Stator
36	815-0037	2	Screw, R.H. x Rec M W/ET Mtg. Breaker Box (1/4-20 x 7/8")
37	812-0077	2	Screw, RHSM Mounting Breaker Box (8-32 x 3/8")
38	850-0025	2	Lockwasher, Mounting Breaker Box (#8)

OIL PUMP GROUP



REF. NO.	PART NO.	QTY. USED	PART DESCRIPTION
1	120-0491	1	Pump, Oil - Complete (Internal Parts Not Sold Separately)
2	120-0400	1	Cup, Oil Pump Intake - Includes Cup, Pipe & Screen
3	120-0187	1	Stud Assembly, By-Pass Adj. - Includes Stud & Nut
4	120-0140	1	Spring, By-Pass Valve
5	120-0398	1	Valve, By-Pass
6	120-0161	1	Gasket Kit, Oil Pump - Includes Mounting & Body Gaskets
7	526-0066	1	Washer, Copper - Oil Pressure Relief Valve Adjusting Screw
8	800-0007	2	Screw, H.H. Mounting Oil Pump (1/4-20 x 1")
9	850-0040	2	Lockwasher Mounting Oil Pump (1/4)



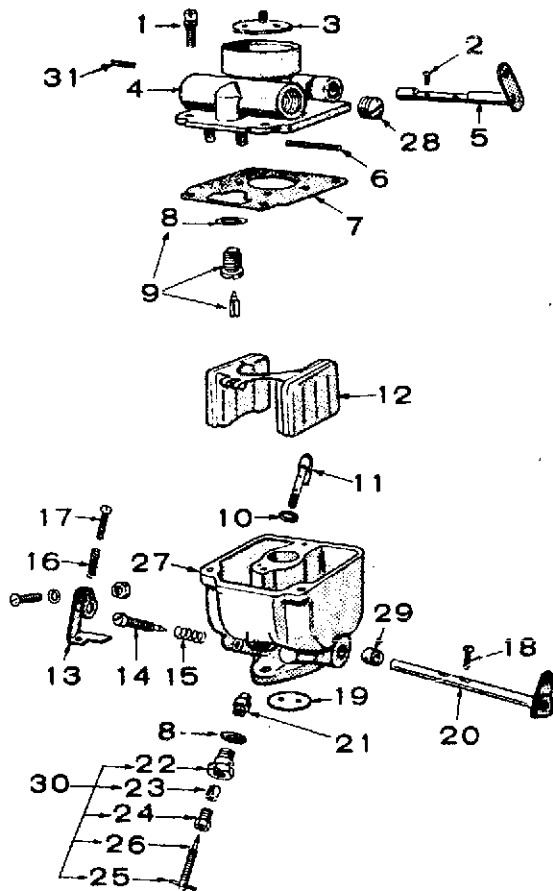
FUEL SYSTEM GROUP

REF. NO.	PART NO.	QTY. USED	PART DESCRIPTION	REF. NO.	PART NO.	QTY. USED	PART DESCRIPTION
1	145-0094	1	Inlet, Carburetor Air	15	149-0045	1	Spacer, Fuel Pump
2	503-0280	1	Clamp, Air Inlet to Air Cleaner	16	149-0003	2	Gasket, Fuel Pump & Spacer Mt
3	503-0107	1	Clamp, Air Inlet to Carburetor	17	149-0775	1	Line, Fuel Pump to Carburetor
4	140-0537	1	Housing, Air Cleaner	18	154-0601	1	Manifold, Intake
5	140-0538	1	Cover, Air Cleaner	19	141-0078	1	Gasket, Carburetor Mounting
6	140-0495	1	Cartridge, Air Cleaner	20	331-0053	2	Nut, Pipe - 1" - Exhaust Outlet
7	518-0056	1	Screw, Wing - Air Cleaner Cover Mounting	21	505-0003	2	Elbow, Street - 1" - Exhaust Ou
8	142-0416	1	Carburetor Assembly	22	505-0087	2	Nipple, Close - 1" x 3" - Exha Outlet
9	149-0693	1	Pump Assembly, Fuel	23	155-0484	2	Muffler, Exhaust
10	502-0002	2	Elbow, Inverted Male - (1) Fuel Pump Outlet (1) Carburetor Inlet	24	153-0263	1	Bracket & Clip, Manual Choke
11	502-0020	1	Elbow, St. Fuel Pump Inlet	25	154-0013	2	Gasket, Intake Manifold
13	806-0009	2	Screw, Counterbore - 1/4-20 x 1-1/4"	26	153-0165	1	Choke, Manual
14	134-1019	1	Baffle, Fuel Pump Air	27	TANK, FUEL		
					159-0690	1	Spec J through M
					159-0946	1	Begin Spec M

REF. NO.	PART NO.	QTY. USED	PART DESCRIPTION
28	STRAP, FUEL TANK MOUNTING		
	159-0692	1	Spec J through M
	159-0947	1	Begin Spec M
29	159-0020	1	Cap, Fuel Tank
30	501-0007	1	Line, Flex Fuel - Tank to Pump (24")
31	159-0695	1	Tube, Pick-Up - Fuel Tank Outlet
32	149-1170	1	Elbow & Screen, Fuel Tank
33	505-0008	1	Plug, Slotted Pipe - Fuel Tank Drain
34	140-0554	1	Spacer, Air Cleaner
35	420-0169	1	Wrench, Carburetor Adjusting
36	800-0054	2	Screw, H.H. Intake Manifold Mtg. (3/8-16 x 2")

REF. NO.	PART NO.	QTY. USED	PART DESCRIPTION
37	850-0030	2	Lockwasher Intake Manifold Mtg. (3/8)
38	800-0009	2	Screw, H.H. Carburetor Mounting to Manifold (1/4-20 x 1-1/2")
39	850-0040	2	Lockwasher, Carburetor Mtg. to Manifold (1/4)
40	813-0100	1	Screw, RHMS Mtg. Shield (F.P.) (10-32 x 1/2")
41	850-0030	1	Lockwasher Mtg. Shield (F.P.) #
42	806-0009	2	Screw, Counterbore Mounting Pur (1/4-20 x 1-1/4")
43	856-0043	1	Washer, Shakeproof Mounting Air Cleaner (#10)

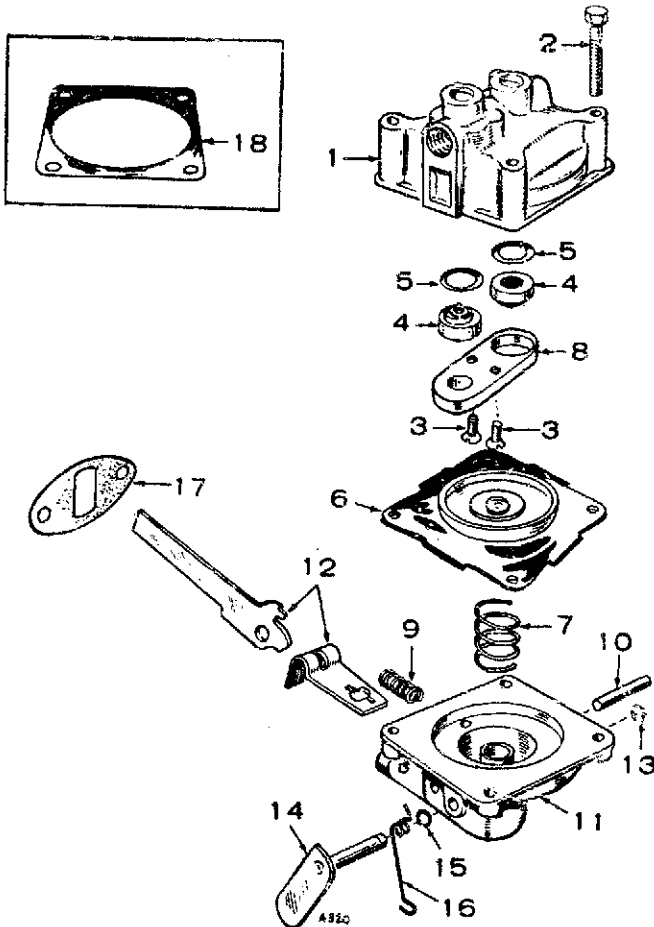
CARBURETOR PARTS GROUP



REF. NO.	PART NO.	QTY. USED	PART DESCRIPTION
1	142-0416	1	Carburetor Assembly
	SCREW, BOWL COVER		
	815-0103	1	#10-24 x 1/2"
	815-0109	2	#10-24 x 5/8"
2	815-0091	2	*Screw, Choke Fly - #4-40 x 3/16"
3	142-0055	1	Fly, Choke
4	142-0205	1	Sleeve, Choke (Cover)
5	142-0420	1	Shaft Assembly, Choke
6	142-0039	1	*Shaft, Float
7	142-0031	1	*Gasket, Body to Bowl
8	148-0017	2	Gasket (1) Float Valve Seat, (1) Main Adj. Needle Retainer
9	142-0049	1	*Valve Seat Assembly, Float
10	142-0032	1	*Gasket, Nozzle
11	142-0285	1	Nozzle Assembly
12	142-0361	1	Float and Lever
13	145-0008	1	Lever, Idle Stop
14	142-0040	1	*Needle, Idle Adjusting
15	142-0282	1	Spring, Idle Needle Adjusting
16	142-0035	1	Spring, Throttle Stop Adj. Screw
17	812-0063	1	Screw, Throttle Stop Adjusting - #6-32 x 1/2"
18	815-0072	2	*Screw, Throttle Fly - #4-40 x 1/4"
19	142-0369	1	Fly, Throttle
20	142-0368	1	*Shaft Assembly, Throttle
21	142-0370	1	Nut & Jet, Nozzle
22	142-0046	1	Retainer, Main Adjusting Needle
23	142-0206	1	Packing, Main Adjusting Needle
24	142-0045	1	Retainer, Main Adjusting Needle Packing
25	516-0027	1	Pin, Main Adjusting Needle
26	142-0041	1	*Needle, Main Adjusting
27			Body Assembly (Not Sold Separately)
28	505-0053	1	Plug, Gas Inlet
29	142-0343	2	Bushing, Throttle Shaft
30	142-0042	1	Needle Assembly - Includes Packing, Nut & Retainer
31	142-0227	1	Pin, Choke Stop
	870-0053	1	Nut, Throttle Stop
	813-0102	1	Screw, Throttle Stop Clamp - 10-32 x 5/8"
	142-0033	1	*Gasket Kit, Carburetor
	142-0371	1	Repair Kit, Carburetor (Includes Parts Marked *)

* - Contained in Repair Kit #142-0371.

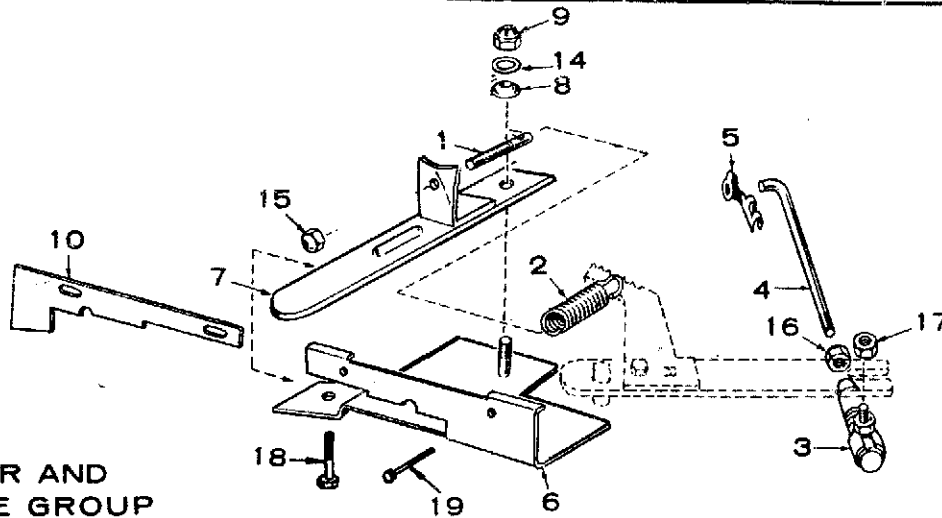
FUEL PUMP PARTS GROUP



REF. NO.	PART NO.	QTY. USED	PART DESCRIPTION
	149-0693	1	Pump Assembly, Fuel
	149-0526	1	Repair Kit, Fuel Pump (Includes Parts Marked **)
1		1	Body, Upper (Not Sold Sep.)
2	815-0148	4	Slotted Screw, H.H. (8-32 x 1")
3	815-0147	2	Screw, Phillips Flat Head (6-32 x 5/8") Valve Retainer
4	149-0096	2	**Valve and Cage
5	149-0095	2	**Gasket, Valve
6	149-0582	1	**Diaphragm Assembly
7	149-0672	1	**Spring, Diaphragm
8	149-0539	1	Retainer, Valve Cage
9	149-0675	1	**Spring, Rocker Arm
10	516-0113	1	Pin, Rocker Arm
11		1	Body, Lower (Not Sold Sep.)
12	149-0710	1	Arm & Link Set (Only as a Set)
13	518-0129	1	Ring, "E" Ret. - Priming Lever
14	149-0551	1	Lever, Hand Primer
15	509-0065	2	Seal, "O" Ring
16	149-0404	1	Spring, Priming Lever
17	149-0003	2	**Gasket, Fuel Pump & Spacer Mtg. (Also in Fuel System Group)
18	149-0858	1	**Gasket, Fuel Pump Diaphragm (Pull Rod Side)

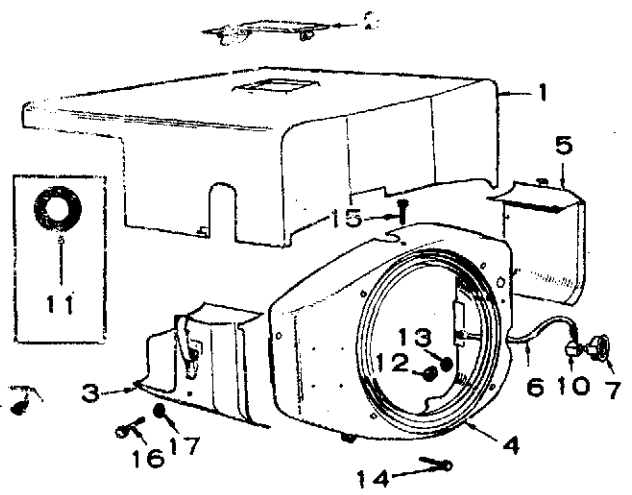
** - Contained in Repair Kit #149-0526.

GOVERNOR AND THROTTLE GROUP

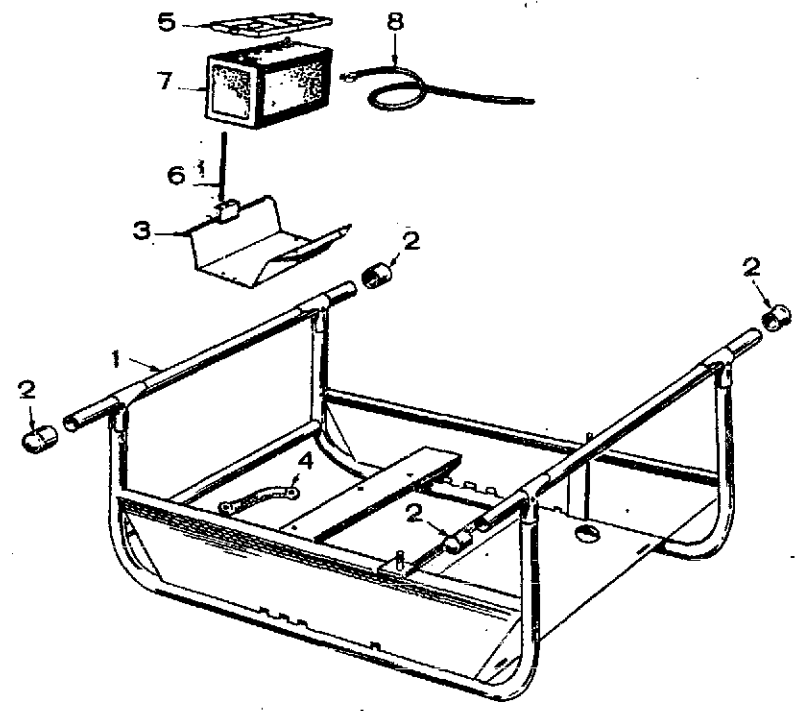


REF. NO.	PART NO.	QTY. USED	PART DESCRIPTION	REF. NO.	PART NO.	QTY. USED	PART DESCRIPTION
1	150-1009	1	Stud, Governor Adjusting	10	152-0110	1	Plate, Adjusting - Speed Lever Travel
2	150-0098	1	Spring, Governor	14	526-0015	1	Washer, Flat - Speed Lever
3	150-0974	1	Joint, Governor Link Ball	15	870-0200	1	Nut, Governor Adjusting Stud
4	150-0629	1	Link, Governor Arm to Carburetor	16	870-0053	1	Nut, Hex - Governor Ball Joint to Link
5	518-0006	1	Clip, End - Link to Carburetor	17	870-0131	1	Nut, Keps - Governor Ball Joint to Governor Arm
6	152-0143	1	Bracket, Variable Speed Governor	18	815-0293	1	Screw Thread Cutting Mtg. Speed Control (1/4-20 x 5/8")
7	152-0134	1	Lever, Speed Adjusting	19	815-0265	1	Screw, H.H. Mtg. Speed Control (1/4-20 x 1/2")
8	152-0041	1	Washer, Tension - Speed Lever				
9	870-0065	1	Nut, Huglock - Speed Lever - 1/4-20				

HOUSING, STOP BUTTON AND GAGE GROUP



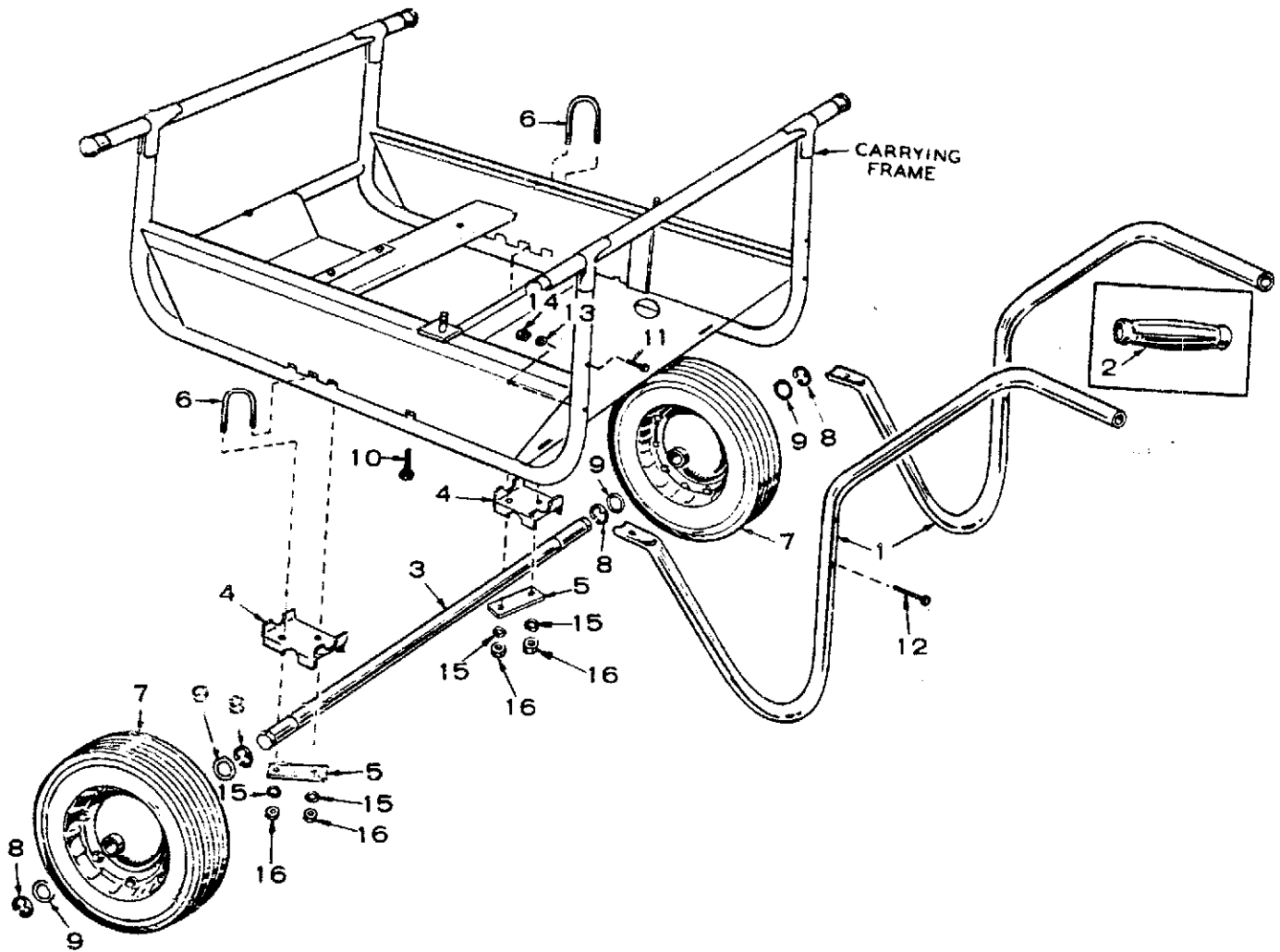
REF. NO.	PART NO.	QTY. USED	PART DESCRIPTION
1	405-1184	1	Cover, Engine and Control
2	405-1187	1	Cover, Lifting Eye
3	134-0980	1	Housing, Cylinder Air - L.H. (#1 Cylinder)
4	134-1579	1	Housing, Blower
5	134-0979	1	Housing, Cylinder Air - R.H. (#2 Cylinder)
6	501-0004	1	Line, Flexible - Oil Gauge
7	193-0005	1	Gauge, Oil Pressure
10	502-0005	1	Elbow, Inverted Female - On Oil Gauge
11	508-0095	2	Grommet, Rubber
12	860-0012	2	Nut, Hex Mounting Oil Gauge (12-24)
13	853-0011	2	Washer, Shakeproof Mtg. Oil Gauge (#12)
14	815-0265	2	Screw, H.H. Thread Cutting Mtg. Blower Housing (1/4-20 x 1/2")
15	815-0261	1	Screw, H.H. Thread Cutting Mtg. Blower Housing (1/4-20 x 7/16")
16	815-0261	4	Screw, H.H. Thread Cutting Mtg. Air Housing (1/4-20 x 1/2")
17	853-0013	4	Washer, Shakeproof Mtg. Air Housing (1/4)



CARRYING FRAME AND BATTERY GROUP

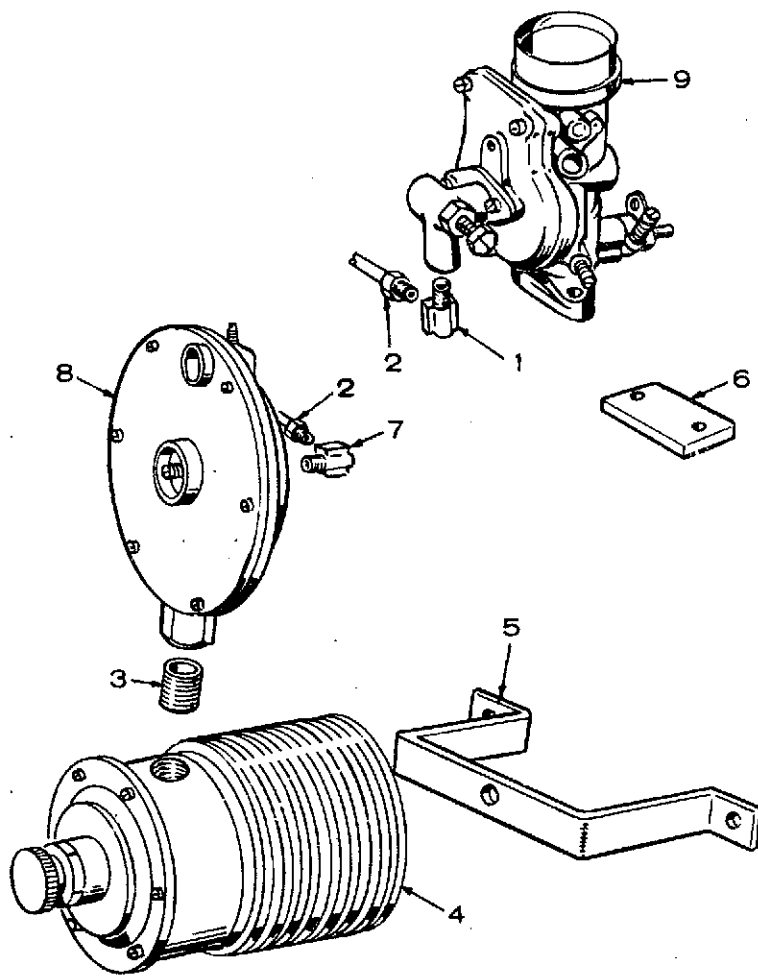
REF. NO.	PART NO.	QTY. USED	PART DESCRIPTION
1	403-0754	1	*Frame, Carrying
2	403-0588	4	Tips, Rubber - Carrying Frame
3	416-0538	1	Rack, Battery
4	337-0036	1	Strap, Ground - Carrying Frame to Blower Housing
5	416-0540	1	Frame, Battery Hold-down
6	416-0541	2	Stud, Battery Hold-down
7	416-0539	1	Battery, Starting - 12 Volt - Optional Equipment
8	CABLE, BATTERY TO CONTROL		
	416-0553	1	Positive Post to Start Switch - 36"
	416-0534	1	Electrolyte, Battery

* - Prior to Spec M also order (2) 159-0945 Brackets.



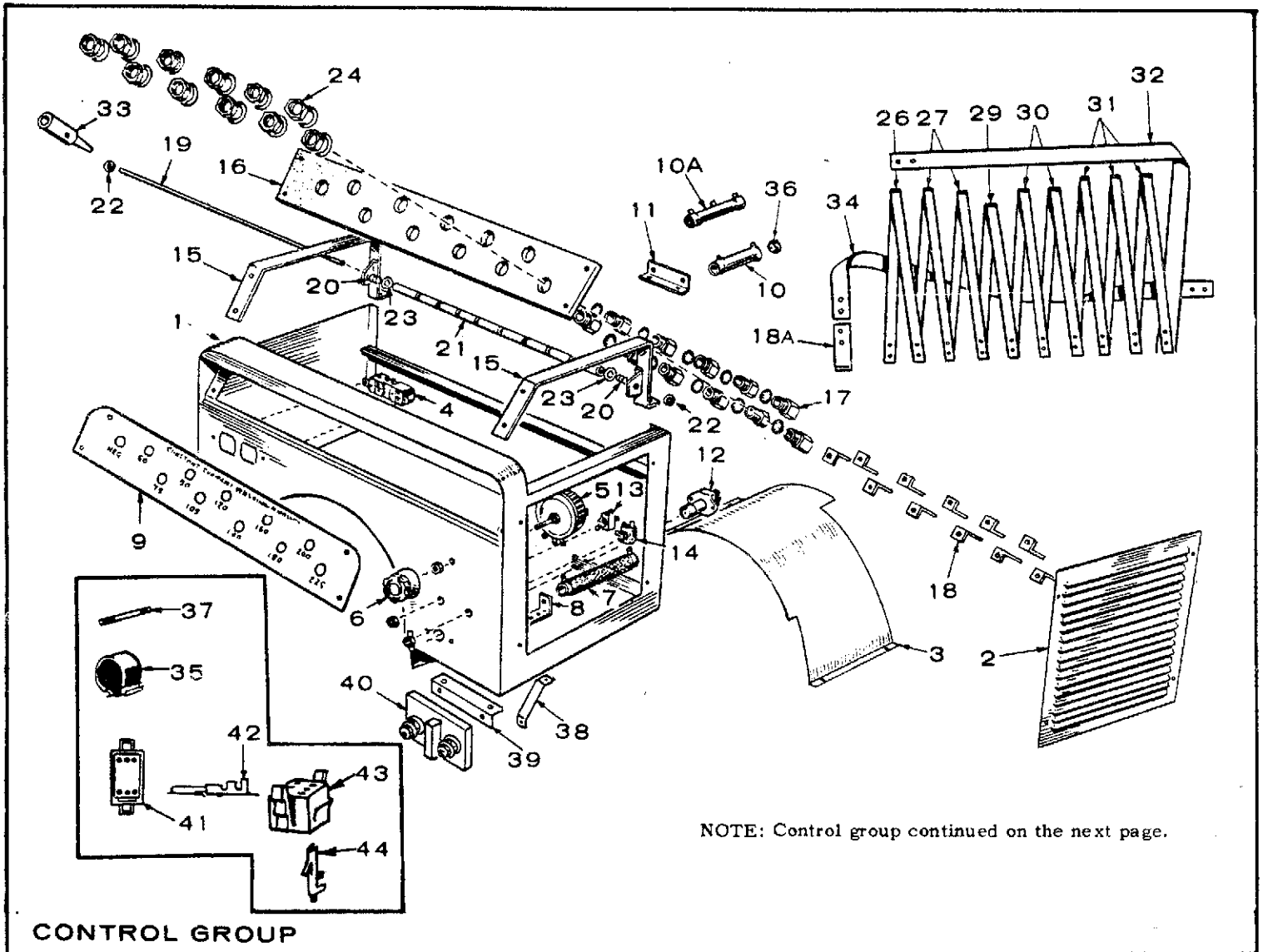
DOLLY GROUP (OPTIONAL EQUIPMENT)

REF. NO.	PART NO.	QTY. USED	PART DESCRIPTION
	410-0287	1	Dolly Assembly - Includes entire group plus hdwe. (Does NOT include Carrying Frame)
1	410-0285	2	Handle
2	403-0205	2	Grip, Handle
3	410-0233	1	Axle
4	410-0283	2	Support, Axle
5	410-0284	2	Plate, Axle Support
6	410-0143	2	Bolt, "U" - Axle Mounting
7	410-0236	2	Wheel and Tire Assy. - Includes Tube
8	518-0130	4	Ring, "E" Retainer - Dolly Wheel to Axle
9	526-0081	4	Washer, Flat - Wheel Mounting
10	800-0031	2	Screw, H.H. Handle Mounting (5/16-18 x 1-1/2")
11	814-0182	2	Screw, I.H. Handle Mounting (5/16-18 x 1-1/2")
12	800-0035	2	Screw, H.H. Handle Mounting (5/16-18 x 2-1/2")
13	850-0045	2	Lockwasher Handle Mounting (5/16)
14	862-0015	2	Nut, Hex Handle Mounting (5/16-18)
15	850-0015	4	Lockwasher U Bolt (3/8)
16	862-0003	4	Nut, Hex U Bolt (3/8-16)



OPTIONAL FUEL SYSTEM GROUP (Liquid Petroleum Gas Only)

<u>REF. NO.</u>	<u>PART NO.</u>	<u>QTY. USED</u>	<u>PART DESCRIPTION</u>
1	502-0039	1	Elbow, Carburetor Inlet
2	159-0745	1	Line, Fuel - Vaporizer to Carb.
3	505-0099	1	Nipple, Vaporizer to Regulator
4	148-0418	1	Vaporizer Assembly
5	148-0423	1	Bracket, Vaporizer Mounting
6	149-0136	1	Cover, Crankcase, Fuel Pump Hole
7	502-0039	1	Elbow, Regulator Outlet
8	148-0465	1	Regulator, LPG - Secondary
9	141-0647	1	Carburetor, Pressure - LPG (Comb.) Carburetor & Pressure Regulator
	141-0653	1	Repair Kit, Carburetor
	141-0652	1	Gasket Kit, Carburetor
	141-0651	2	Seal, Throttle Shaft (Comb. of Carburetor)
	141-0650	2	Retainer, Throttle Shaft Seal (Comb. of Carburetor)

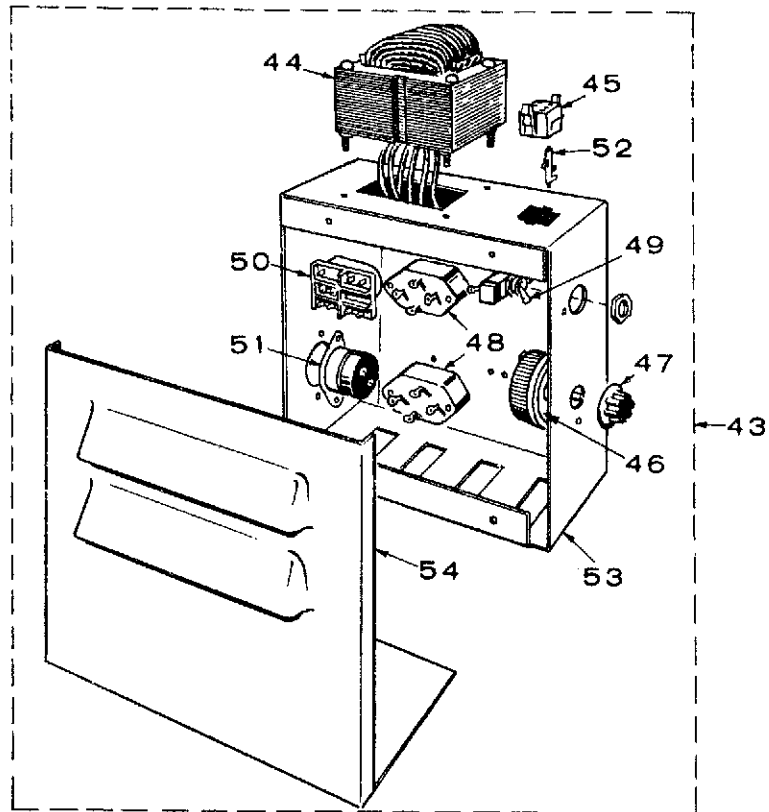


NOTE: Control group continued on the next page.

CONTROL GROUP

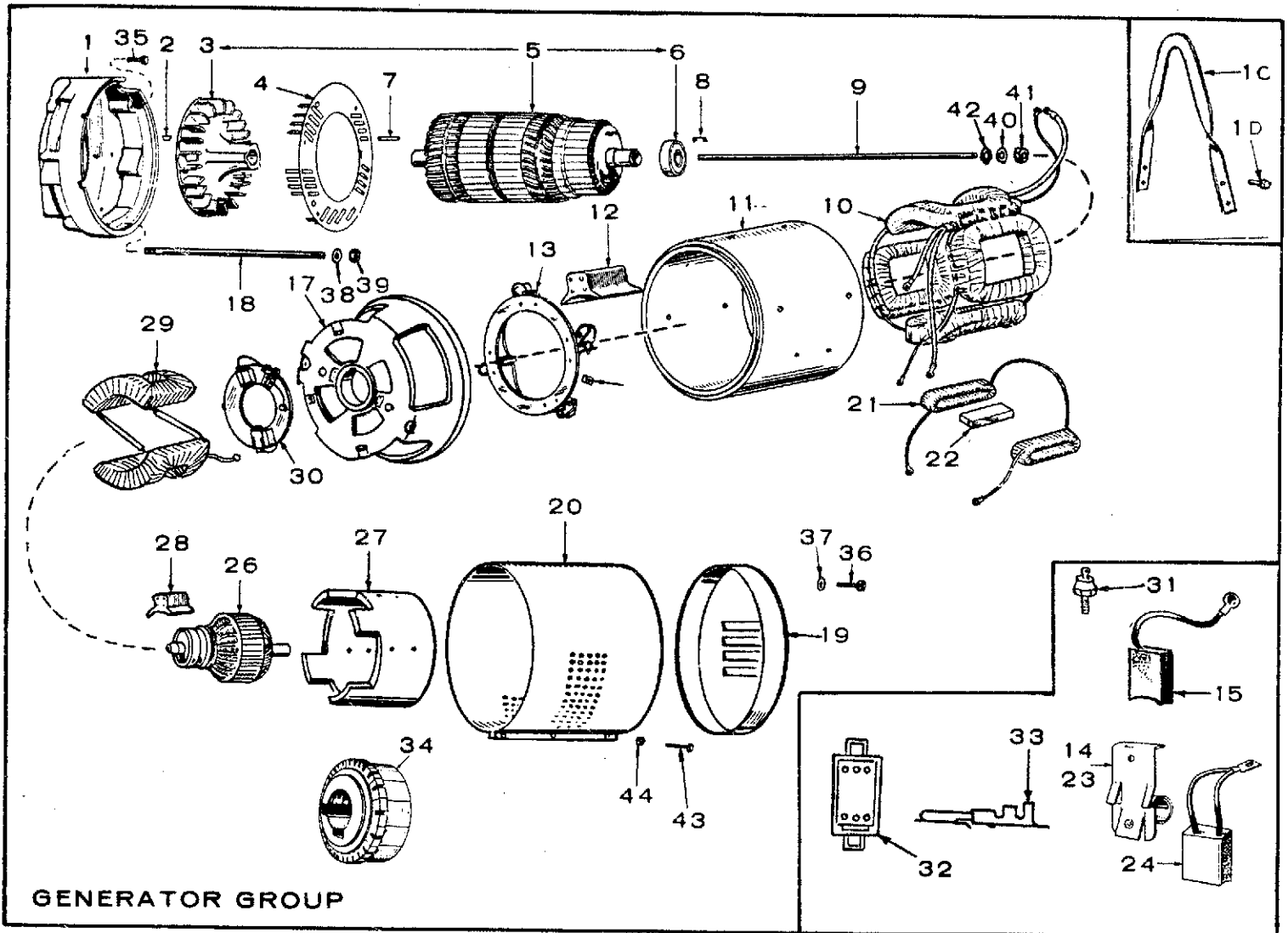
REF. NO.	PART NO.	QTY. USED	PART DESCRIPTION	REF. NO.	PART NO.	QTY. USED	PART DESCRIPTION
1	301-2570	1	Box, Control	23	526-0101	1	*Washer, Flat - Insulator Rod Mtg
2	301-1340	1	Plate, Control Box Ventilation	24	868-0011	11	*Nut, Hex Jam - Jack Mounting
3	301-1339	1	Plate, Control Box Reflector	26	304-0467	1	*Element, Resistor
4	323-0184	1	Receptacle, Duplex	27	304-0466	2	*Element, Resistor
5	303-0112	1	Rheostat	29	304-0553	1	*Element, Resistor
6	304-0061	1	Knob, Rheostat	30	304-0465	2	*Element, Resistor
7	304-0183	1	Resistor, Field - 5.5-Ohm, 160 Watt	31	304-0468	3	*Element, Resistor
8	304-0117	1	Bracket, Field Resistor Mounting	32	304-0554	1	*Element, Resistor
9	301-2583	1	Panel, Control Box	33	316-0045	2	Plug, Welding Cables
RESISTOR, BATTERY CHARGE				34	304-0555	1	Element, Resistor
10	304-0011	1	50-Ohm, 25 Watt (9/16 x 2")	35	332-0048	1	Clip, Control Leads
10A	353-0008	1	70-Ohm, 35 Watt (3/4 x 4")	36	WASHER, RESISTOR CENTERING		
11	304-0470	2	Bracket, Battery Charge Resistor		304-0015	4	1/2" I.D. x 3/4" O.D.
12	308-0028	1	Switch, Start		304-0014	2	7/32" I.D. x 9/16" O.D.
13	308-0069	1	Switch, Ignition	37	332-0928	2	Stud, 1/4-20 x 2"
14	308-0002	1	Switch, High - Low Charge Rate	38	301-2547	1	Bracket, Terminal Board Mtg.
15	301-1778	2	*Bracket, Resistor Elements Mtg.	39	301-2548	1	Bracket, Terminal Board Mtg.
16	301-1777	1	*Block, Terminal - Resistor Element Fastening	40	332-0929	1	Board, Terminal
17	316-0044	11	*Jack, Plug - Welder Cable Connecting	41	323-0410	1	Housing, Connector Pins (9 Plac - Voltage Control Leads
18	308-0149	10	*Angle, Connector - Resistor Elements to Plug Jack - 1-23/32" Long	42	323-0496	7	Pin, Connector - Voltage Control Leads
18A	308-0128	3	*Angle, Connector - Resistor Elements to Plug Jack - 3-1/8" Long	42A	323-0440	1	Housing, Connector Socket (6 Pl - Generator Leads
19	304-0469	1	*Rod, Insulator Tubes Mounting	42B	323-0488	4	Socket, Connector - Generator Le
20	115-0056	1	*Spring, Insulator, Tube		304-0616	1	Resistor Elements & Jack Assy. - Includes Parts Marked *
21	304-0379	8	*Tube, Insulator				
22	870-0173	2	*Nut, Push - Insulator Rod Mounting				

* - These parts contained in 304-0616 Resistor Elements and Jack Assembly.



CONTROL GROUP

<u>REF. NO.</u>	<u>PART NO.</u>	<u>QTY. USED</u>	<u>PART DESCRIPTION</u>
43	305-0425	1	Control, Voltage - Complete
44	315-0231	1	Transformer
45	323-0450	1	Housing, Connector Socket
46	303-0144	1	Rheostat
47	303-0032	1	Knob, Rheostat
48	305-0393	2	Rectifier, Bridge
49	308-0214	1	Switch, Toggle
50	307-0857	1	Relay
51	323-0196	1	Base, Receptacle
52	323-0484	7	Socket, Connector
53	301-2771	1	Chassis, Voltage Control
54	301-2544	1	Cover, Regulator



GENERATOR GROUP

REF. NO.	PART NO.	QTY. USED	PART DESCRIPTION	REF. NO.	PART NO.	QTY. USED	PART DESCRIPTION
1	231-0104	1	Adapter, Generator to Engine	26	201-1401	1	Armature - AC
1C	403-0642	1	Yoke, Lifting - Mounts to Generator Adapter	27	210-0383	1	Frame, Generator - AC
1D	800-0029	4	Screw, H.H. - 5/16-18 x 1-1/8" - Lifting Yoke Mounting	28	221-0146	2	Shoe, Pole - AC
2	515-0006	1	Key, Blower to Crankshaft	29	222-1675	1	Coil Assembly, Field - Set of 2 Coils - AC
3	205-0053	1	Blower, Generator	30	212-0309	1	Rig, Assembly Brush - AC
4	232-1256	1	Plate, Baffle	31	305-0448	1	Rectifier - AC
5	*	1	Armature Assembly - includes Blower and Bearing - DC	32	323-0400	1	Housing, Connector Pins (6 Plac
6	510-0072	1	Bearing, Armature (Double Sealed - Pre-Lubricated)	33	323-0500	4	Pin, Connector
7	515-0122	1	Key, Drive - Blower to Armature	34	203-0145	1	Commutator (#BAC45)
8	232-1479	1	Clip, Bearing Stop	35	800-0050	4	Screw, H.H. Generator Adapter Mounting (3/8-26 x 1")
9	520-0514	1	Stud, Armature Through	36	813-0098	5	Screw, R.H.M.S. Scroll, End Bell (10-32 x 3/8")
10	*	1	Coil Assembly Field - Set of 4 Coils, Connected - DC	37	850-0030	8	Lockwasher, Band, End Bell & Scroll (#10)
11	210-0384	1	Frame, Generator - Machined - Less Coils & Pole Shoes - DC	38	850-0045	2	Lockwasher, Generator through Stud 5/16
12	221-0145	4	Shoe, Pole - DC	39	862-0015	2	Nut, Steel Hex, Generator through Stud (5/16-18)
13	212-0229	1	Rig Assembly, Brush - DC	40	850-0055	1	Lockwasher, Armature Stud (7/16
14	212-1105	2	Spring, AC Brush	41	862-0004	1	Nut, Hex Armature Stud (7/16-14)
15	214-0072	2	Brush, AC	42	232-0200	1	Flatwasher, Armature Stud (7/16)
17	211-0156	1	Bell, End	43	815-0110	3	Screw, Fill Head End Bell and Band (10-32 x 7/8")
18	520-0503	2	Stud, Generator Through	44	870-0053	3	Nut, Hex End Bell and Band (10-32)
19	211-0157	1	Cover, End Bell				
20	234-0255	1	Band, End Bell				
21	222-1665	1	Coil Set, Interpole - DC				
22	221-0144	2	Interpole - DC				
23	212-1106	4	Spring, DC Brush				
24	214-0067	4	Brush, DC				

* - Order by description giving complete Model, Spec, and Serial Number.

SPECIAL PARTS LISTS INDEX FOR FORM NO. 927-1060

MODEL	SPEC.	DATED	FICHE LOCATION
7.0CCK-381E	1T	12/01/78 ***	1 F1
7.0CCK-381E	4325T	12/01/78 ***	1 F3
7.0CCK-381E	8874T	12/01/78 ***	1 F3
7.0CCK-381E	14917T	12/01/78 ***	1 F5

SPECIAL PARTS LIST FOR MODEL 7.0CCK-381E SPEC 1T
 FOR STANDARD PARTS REFER TO CATALOG 927-1060 KEY NO. 1
 (PARTS CATALOG ALSO CONTAINS COMPONENTS FOR MAJOR OPTIONAL FEATURES LISTED BELOW)
 WIRING DIAGRAM NO. 606-0156-01

PART NO.	QTY.	DESCRIPTION	PART NO.	QTY.	DESCRIPTION
201-1312	1	Rotor Assembly, Wound			
222-1675	1	Coil Assembly, Field			

SPECIAL PARTS LIST FOR MODEL 7.0CCK-381E SPEC 4325T
 FOR STANDARD PARTS REFER TO CATALOG 927-1060 KEY NO. _____
 (PARTS CATALOG ALSO CONTAINS COMPONENTS FOR MAJOR OPTIONAL FEATURES LISTED BELOW)
 WIRING DIAGRAM NO. 606-0156-01

PART NO.	QTY.	DESCRIPTION	PART NO.	QTY.	DESCRIPTION
201-1312	1	Rotor Assembly, Wound			
222-1675	1	Coil Assembly, Field			

SPECIAL PARTS LIST FOR MODEL 7.0CCK-381E SPEC 8874T
 FOR STANDARD PARTS REFER TO CATALOG 927-1060 KEY NO. _____
 (PARTS CATALOG ALSO CONTAINS COMPONENTS FOR MAJOR OPTIONAL FEATURES LISTED BELOW)
 WIRING DIAGRAM NO. 606-0156-01

PART NO.	QTY.	DESCRIPTION	PART NO.	QTY.	DESCRIPTION
201-1312	1	Rotor Assembly, Wound			
222-1675	1	Coil Assembly, Field			
149-1254	1	Primer, Fuel Pump			
149-1255	1	Bracket, Primer			

SPECIAL PARTS LIST FOR MODEL 7.0CCK-381E SPEC 14917T
 FOR STANDARD PARTS REFER TO CATALOG 927-1060 KEY NO. _____
 (PARTS CATALOG ALSO CONTAINS COMPONENTS FOR MAJOR OPTIONAL FEATURES LISTED BELOW)
 WIRING DIAGRAM NO. 606-0156-01

PART NO.	QTY.	DESCRIPTION	PART NO.	QTY.	DESCRIPTION
201-1312	1	Rotor Assembly, Wound			
222-1675	1	Coil Assembly, Field			