



Operator Manual

Our energy working for you.™

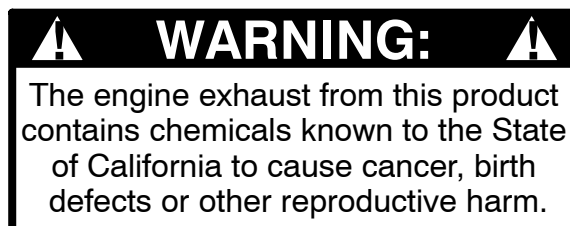


Generator Set
with PowerCommand® 2100 Controller

GGHE
GGHF

Table of Contents

SECTION	TITLE	PAGE
	IMPORTANT SAFETY INSTRUCTIONS	iii
1	INTRODUCTION	
	General	1-1
	How to Obtain Service	1-1
2	SPECIFICATIONS	2-1
3	CONTROL OPERATION	
	General	3-1
	Prestart Checks	3-1
	Control Panel Power On/Off Modes	3-2
	Front Panel	3-4
	Starting	3-6
	Stopping	3-7
	Menu Display and Buttons	3-11
	Main Menus	3-13
	Adjusting Default Settings	3-15
	System Messages	3-15
	Controller Configuration Menu	3-16
	Engine Menu	3-18
	Alternator Menu	3-20
	Adjust Menu	3-22
	Faults Menu	3-24
	System Menu	3-26
	History Menu	3-28
	About Menu	3-30
	Power Transfer Menu	3-32



SECTION	TITLE	PAGE
4	TROUBLESHOOTING	
	General	4-1
	Safety Considerations	4-1
	Status Indicators	4-2
	Line Circuit Breaker (Optional)	4-2
	Control and Diagnostics Via Network or PC (Laptop)	4-2
	Fault Codes	4-4
5	MAINTENANCE	
	General	5-1
	Maintenance Schedule (Standby Power)	5-2
	Maintenance Schedule (Prime Power)	5-3
	Generator Set Inspection	5-4
	Generator Set Maintenance (Battery Disconnected)	5-5
	Lubrication System	5-6
	Cooling System	5-8
	Air Filter	5-10
	Serpentine Belt Replacement	5-11
	Ignition System	5-12
	Batteries	5-13
	Out-of-Service Protection	5-15
6	OPERATING RECOMMENDATIONS	
	Break-In	6-1
	No-Load Operation	6-1
	Exercise Period	6-1
	Low Operating Temperatures	6-1
	High Operating Temperatures	6-1



IMPORTANT SAFETY INSTRUCTIONS

SAVE THESE INSTRUCTIONS – This manual contains important instructions that should be followed during installation and maintenance of the generator and batteries.

Before operating the generator set (genset), read the Operator's Manual and become familiar with it and the equipment. **Safe and efficient operation can be achieved only if the equipment is properly operated and maintained.** Many accidents are caused by failure to follow fundamental rules and precautions.

The following symbols, found throughout this manual, alert you to potentially dangerous conditions to the operator, service personnel, or the equipment.

⚠ DANGER *This symbol warns of immediate hazards which will result in severe personal injury or death.*

⚠ WARNING *This symbol refers to a hazard or unsafe practice which can result in severe personal injury or death.*

⚠ CAUTION *This symbol refers to a hazard or unsafe practice which can result in personal injury or product or property damage.*

FUEL AND FUMES ARE FLAMMABLE

Fire, explosion, and personal injury or death can result from improper practices.

- DO NOT permit any flame, cigarette, pilot light, spark, arcing equipment, or other ignition source near the generator set or fuel tank.
- Fuel lines must be adequately secured and free of leaks. Fuel connection at the engine should be made with an approved flexible line. Do not use copper piping on flexible lines as copper will become brittle if continuously vibrated or repeatedly bent.
- Natural gas is lighter than air, and will tend to gather under hoods. Propane is heavier than air, and will tend to gather in sumps or low areas. NFPA code re-

quires all persons handling propane to be trained and qualified.

- Be sure all fuel supplies have a positive shutoff valve.
- Be sure battery area has been well-ventilated prior to servicing near it. Lead-acid batteries emit a highly explosive hydrogen gas that can be ignited by arcing, sparking, smoking, etc.

EXHAUST GASES ARE DEADLY

- Provide an adequate exhaust system to properly expel discharged gases away from enclosed or sheltered areas and areas where individuals are likely to congregate. Visually and audibly inspect the exhaust daily for leaks per the maintenance schedule. Make sure that exhaust manifolds are secured and not warped. Do not use exhaust gases to heat a compartment.
- Be sure the unit is well ventilated.
- Engine exhaust and some of its constituents are known to the state of California to cause cancer, birth defects, and other reproductive harm.

MOVING PARTS CAN CAUSE SEVERE PERSONAL INJURY OR DEATH

- Keep your hands, clothing, and jewelry away from moving parts.
- Before starting work on the generator set, disconnect battery charger from its AC source, then disconnect starting batteries, negative (-) cable first. This will prevent accidental starting.
- Make sure that fasteners on the generator set are secure. Tighten supports and clamps, keep guards in position over fans, drive belts, etc.
- Do not wear loose clothing or jewelry in the vicinity of moving parts, or while working on electrical equipment. Loose clothing and jewelry can become caught in moving parts. Jewelry can short out electrical contacts and cause shock or burning.
- If adjustment must be made while the unit is running, use extreme caution around hot manifolds, moving parts, etc.

ELECTRICAL SHOCK CAN CAUSE SEVERE PERSONAL INJURY OR DEATH

- Remove electric power before removing protective shields or touching electrical equipment. Use rubber insulative mats placed on dry wood platforms over floors that are metal or concrete when around electrical equipment. Do not wear damp clothing (particularly wet shoes) or allow skin surface to be damp when handling electrical equipment.
- Use extreme caution when working on electrical components. High voltages can cause injury or death. DO NOT tamper with interlocks.
- Follow all applicable state and local electrical codes. Have all electrical installations performed by a qualified licensed electrician. Tag and lock open switches to avoid accidental closure.
- DO NOT CONNECT GENERATOR SET DIRECTLY TO ANY BUILDING ELECTRICAL SYSTEM. Hazardous voltages can flow from the generator set into the utility line. This creates a potential for electrocution or property damage. Connect only through an approved isolation switch or an approved paralleling device.

GENERAL SAFETY PRECAUTIONS

- Coolants under pressure have a higher boiling point than water. DO NOT open a radiator or heat exchanger pressure cap while the engine is running. Allow the generator set to cool and bleed the system pressure first.
- Benzene and lead, found in some gasoline, have been identified by some state and federal agencies as causing cancer or reproductive toxicity. When checking, draining or adding gasoline, take care not to ingest, breathe the fumes, or contact gasoline.
- Used engine oils have been identified by some state or federal agencies as causing cancer or reproductive toxicity. When checking or changing engine oil, take care not to ingest, breathe the fumes, or contact used oil.
- Keep multi-class ABC fire extinguishers handy. Class A fires involve ordinary combustible materials such as wood and cloth; Class B fires, combustible and flammable liquid fuels and gaseous fuels; Class C fires, live electrical equipment. (ref. NFPA No. 10).
- Make sure that rags are not left on or near the engine.
- Make sure generator set is mounted in a manner to prevent combustible materials from accumulating under the unit.
- Remove all unnecessary grease and oil from the unit. Accumulated grease and oil can cause overheating and engine damage which present a potential fire hazard.
- Keep the generator set and the surrounding area clean and free from obstructions. Remove any debris from the set and keep the floor clean and dry.
- Do not work on this equipment when mentally or physically fatigued, or after consuming any alcohol or drug that makes the operation of equipment unsafe.
- Substances in exhaust gases have been identified by some state or federal agencies as causing cancer or reproductive toxicity. Take care not to breathe or ingest or come into contact with exhaust gases.
- Do not store any flammable liquids, such as fuel, cleaners, oil, etc., near the generator set. A fire or explosion could result.
- Wear hearing protection when going near an operating generator set.
- To prevent serious burns, avoid contact with hot metal parts such as radiator, turbo charger and exhaust system.

KEEP THIS MANUAL NEAR THE GENSET FOR EASY REFERENCE



1. Introduction

GENERAL

This manual covers models produced under the Cummins®/Onan® and Cummins Power Generation brand names.

Each operator should read this manual before operating the set for the first time. A generator set (genset) must be operated and maintained properly if you are to expect safe, reliable and quiet operation. The manual includes a troubleshooting guide and a maintenance schedule.

The engine manual is included with the set. Where there is conflicting information, this manual takes precedence over the engine manual.

⚠ WARNING *Improper operation and maintenance can lead to severe personal injury or loss of life and property by fire, electrocution, mechanical breakdown or exhaust gas asphyxiation. Read and follow the safety precautions on page iii and carefully observe all instructions and precautions in this manual.*

Beginning with spec J, read the warranty statement provided with the genset for US Environmental Protection Agency (EPA) restrictions on servicing specific components.

HOW TO OBTAIN SERVICE

When the generator set requires servicing, contact your nearest Cummins Power Generation distributor. Factory-trained Parts and Service representatives are ready to handle all your service needs.

To contact your local Cummins Power Generation distributor in the United States or Canada, call 1-800-888-6626 (this automated service utilizes touch-tone phones only). By selecting Option 1 (press 1), you will be automatically connected to the distributor nearest you.

If you are unable to contact a distributor using the automated service, consult the Yellow Pages. Typically, our distributors are listed under:

GENERATORS-ELECTRIC or
ELECTRICAL PRODUCTS

For outside North America, call Cummins Power Generation, 1-763-574-5000, 7:30 AM to 4:00 PM, Central Standard Time, Monday through Friday. Or, send a fax to Cummins Power Generation using the fax number 1-763-574-8087.

When contacting your distributor, always supply the complete Model, Specification, and Serial Number as shown on the generator set nameplate.

⚠ WARNING

INCORRECT SERVICE OR PARTS REPLACEMENT CAN RESULT IN SEVERE PERSONAL INJURY, DEATH, AND/OR EQUIPMENT DAMAGE. SERVICE PERSONNEL MUST BE TRAINED AND EXPERIENCED TO PERFORM ELECTRICAL AND/OR MECHANICAL SERVICE.



THIS PAGE LEFT INTENTIONALLY BLANK



2. Specifications

MODEL	GGHE/GGHF
Engine Onan Modified Ford V-10	WSG-1068
Generator kW Rating	See Genset Nameplate for rating information.
Fuel or a combination of two fuels	Propane (Liquid or Vapor) Natural Gas
Fuel Flow (Inlet Pressure) Minimum: NG/LPG Maximum: NG/LPG Vapor withdrawal LPG Liquid withdrawal	7.0 inch H ₂ O (1.7 kPa) 13.6 inch H ₂ O (3.4 kPa) 312 psi (2,153 kPa)
Exhaust Connection Backpressure (Max. Allowed)	3 inch NPT 20 inch H ₂ O (5.0 kPa)
Electrical System Starting Voltage Battery Charging Alternator (Max. Rating)	12 Volts DC 37 A
Cooling System Capacity with Standard Radiator	8.5 Gal (32.2 L)
Lubricating System Oil Capacity with Filters Standby Power (Normal Oil Filter) Prime Power (Heavy Duty Oil Filter)	6.5 Qts (6.2 L) 11 (10.4 L)
Tune-up Specifications Spark Plug Gap	0.044 (1.1 mm)
Battery Ground Required Battery Voltage Group Number CCA (minimum) Cold Soak @ 0° F (-18° C)	Negative 12 Volts DC 31 660

FUEL CONSUMPTION (STANDBY/PRIME/60HZ)

MODEL	GGHE	GGHF
Standby cfh (m3/hr) LPG (Vapor or Liquid) Natural Gas	313 (8.86) 798 (22.34)	366 (10.36) 898 (25.43)
Full Load cfh (m3/hr) LPG (Vapor or Liquid) Natural Gas	277 (7.84) 705 (19.95)	320 (9.06) 807 (22.84)



THIS PAGE LEFT INTENTIONALLY BLANK



3. Control Operation

GENERAL

The following describes the function and operation of the PowerCommand® 2100 Control (PCC). All indicators, control switches/buttons and digital display are located on the face of the control panel as illustrated in Figure 3-1.

This section covers prestart checks, starting and stopping and operating the generator set. Each operator should read through this entire section before attempting to start the set. It is essential that the operator be completely familiar with the set and the PCC control. Refer to *Section 7* for operating recommendations.

Before starting, be sure the following checks have been made and the unit is ready for operation.

PRESTART CHECKS

Lubrication

Check the engine oil level. Keep the oil level near as possible to the dipstick high mark without overfilling.

Coolant

Check the engine coolant level. Refer to “Cooling Systems” in the Maintenance section of this manual for proper procedure.

Fuel

Open all manual shutoff valves in the fuel supply system.

Ventilation

Make sure the generator set cooling inlet/outlet and exhaust ventilation openings are clear (not blocked) and operational.

Remove all loose debris from surrounding area of generator set. Air flow from the radiator fan can blow loose items around and into ventilation openings.

Exhaust

Check to make sure entire exhaust system is tight, that no combustible materials are near system, and gases are discharged away from building openings.

EXHAUST GAS IS DEADLY!

Exhaust gases contain carbon monoxide, an odorless and colorless gas. Carbon monoxide is poisonous and can cause unconsciousness and death. Symptoms of carbon monoxide poisoning can include:

- ***Dizziness***
- ***Nausea***
- ***Headache***
- ***Weakness and Sleepiness***
- ***Throbbing in Temples***
- ***Muscular Twitching***
- ***Vomiting***
- ***Inability to Think Coherently***

IF YOU OR ANYONE ELSE EXPERIENCE ANY OF THESE SYMPTOMS, GET OUT INTO THE FRESH AIR IMMEDIATELY. If symptoms persist, seek medical attention. Shut down the unit and do not operate until it has been inspected and repaired.

Protection against carbon monoxide inhalation includes proper installation and regular, frequent visual and audible inspections of the complete exhaust system.

CONTROL PANEL POWER ON/OFF MODES

The power on/off modes of the control panel and operating software are Power On, Screen Saver and Sleep/Awake.

Power On Mode: In this mode, power is continuously supplied to the control panel. The control's operating software and control panel LEDs/digital display will remain active until the Screen Saver mode is activated.

Screen Saver Mode: Power to the digital display is removed after 30 minutes (generator set not running or running). The 30 minute timer resets and begins after each control panel action (any button or switch selection) or signal received by the operating software. All LEDs on the control panel operate normally during Screen Saver mode, indicating that the operating software is active (Awake mode).

When a "Warning" signal is sensed by the PCC (for example, low coolant temp), the control displays the warning message.

Sleep/Awake Mode: In the Sleep mode, the control's operating software is inactive and the LEDs and the digital display on the control panel are all off. Sleep mode is a feature used to reduce battery power consumption when the control is not being

used and the O/Manual/Auto switch is in the O position.

When all conditions are met (i.e., no unacknowledged faults and O/Manual/Auto switch is in the O position) the Sleep mode is activated.

The operating software is initialized and the digital display and control panel LEDs are turned on in response to moving/pressing the following control panel switch/buttons:

- Off/Manual/Auto switch
- Emergency Stop button
- Fault Acknowledge/Reset button
- Panel Lamp/Lamp Test button

To activate the control and view the menu display without starting the generator set, press Fault Acknowledge or Panel Lamp button or move mode switch from O to Manual.

The InPower service tool is required to enable or disable the Sleep mode. When shipped from the factory, Sleep mode is disabled. When disabled, the operating software will always remain active (Awake mode). If network and/or power transfer control (PTC) feature is installed, the sleep mode is not available.

The InPower service tool is required to select the desired mode. Contact an authorized service center for assistance.



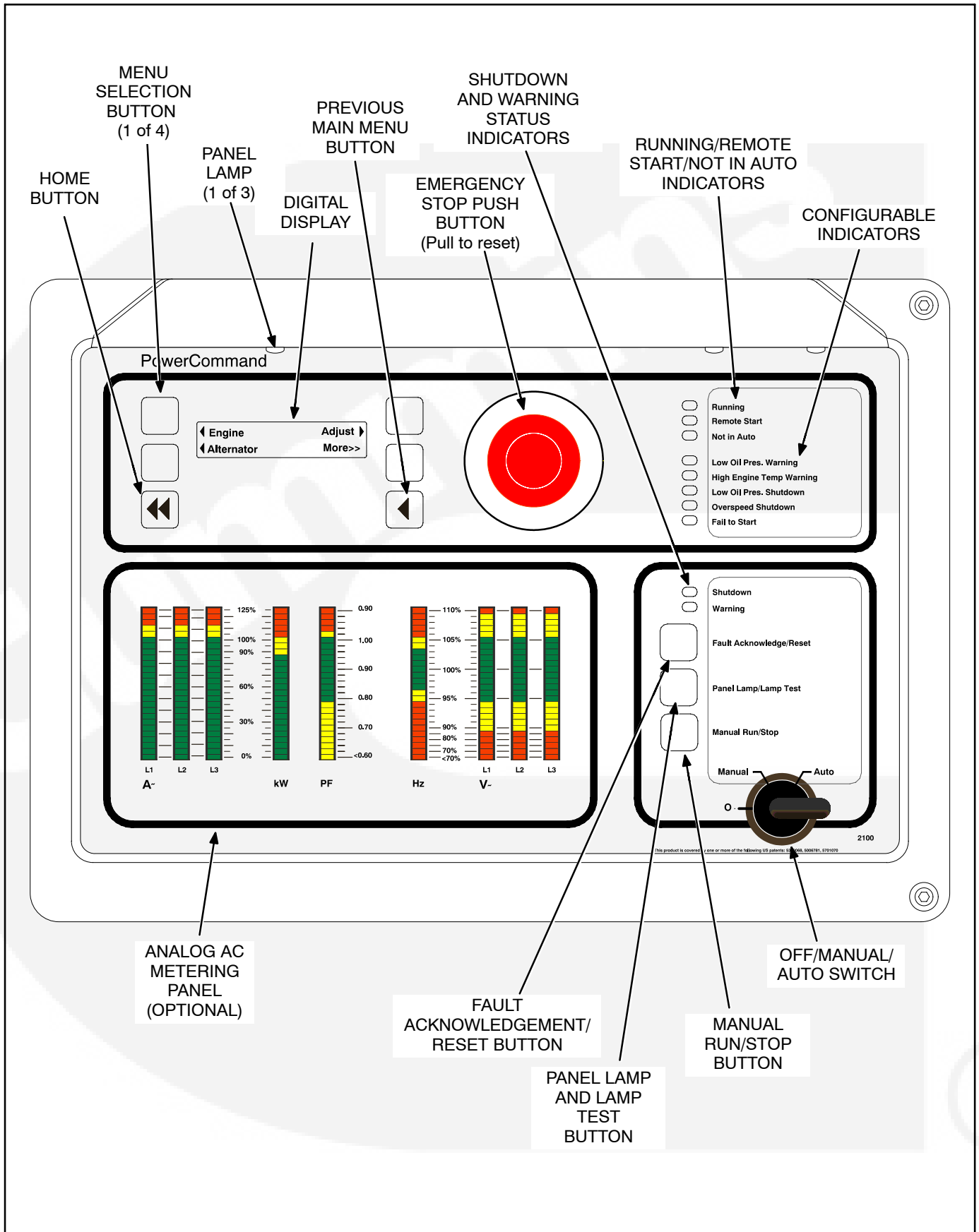


FIGURE 3-1. FRONT PANEL

FRONT PANEL

Figure 3-1 shows the features of the front panel.

Digital Display: This two-line, 20-characters per line alphanumeric display is used to view menus of the menu-driven operating system. Refer to the menu trees later in this section. The display is also used to show warning and shutdown messages.

Display Menu Selection Buttons: Four momentary buttons—two on each side of the digital display window—are used to step through the various menu options and to adjust generator set parameters. A green triangle (◀ or ▶), arrow (↑, ↓, ←, or →), >>, or plus/minus sign (+ or -) in the digital display adjacent to the button is shown when the button can be used (button is “active”). Refer to *Menu Display And Buttons* later in this section.

Home Button: Press this button (◀◀) to view the Home Menu. Refer to the menu trees later in this section.

Previous Main Menu Button: Press this button (◀) to view the previous Main Menu. All main menus include both types of green triangles (◀ and ▶). Refer to the menu trees later in this section.

NOTE: The up and down arrows (↑ and ↓) are used to navigate between submenus.

Emergency Stop Button: Push this button in for emergency shutdown of the generator set. This will stop the generator set immediately and prevent starting of the set from any location (local and remote).

To reset:

1. Pull the button and allow it to pop out.
2. Turn the O/Manual/Auto switch to O (Off).
3. Press the front panel Fault Acknowledge/Reset button.
4. Select Manual or Auto, as required.

Emergency Stop shutdown can be reset only at the PCC front panel.

Running Indicator: This green lamp is lit whenever the generator (local or remote) is running.

Remote Start Indicator: This green lamp is lit whenever the control is receiving a remote start signal.

Not in Auto Indicator: This red lamp flashes continuously when the O/Manual/Auto switch is not in the Auto position.

Analog AC Metering Panel (Optional): This panel simultaneously displays (in percent of genset rated output):

- 3-phase line-to-line AC current (A~)
- Kilowatts (kW)
- Generator output frequency in hertz (Hz)
- 3-phase line-to-line AC volts (V~)
- Power Factor (PF) (shown in 0.2 increments)

Shutdown Status Indicator: This red lamp is lit whenever the control detects a shutdown condition. The generator set cannot be started when this lamp is on. After the condition is corrected, shutdown indicators can be reset by turning the O/Manual/Auto switch to the O position and pressing the Fault Acknowledge/Reset button.

Warning Status Indicator: This yellow lamp is lit whenever the control detects a warning condition. After the condition is corrected, warning indicators can be reset by pressing the Fault Acknowledge/Reset button. (It is **not** necessary to stop the generator set.) In auto mode, warning indicators can also be reset by cycling the remote reset input after the condition is corrected.

Some warnings remain active after the condition is corrected and the control reset button is pressed. This will require the genset to be shutdown to reset the warning indicator.

Fault Acknowledge/Reset Button: Press this button to acknowledge warning and shutdown messages after the fault has been corrected. Pressing this button clears the fault from the current fault list.

To acknowledge a Warning message, the O/Manual/Auto switch can be in any position. (It is not necessary to stop the generator set to acknowledge an inactive Warning condition.) To acknowledge a shutdown message with this button, the O/Manual/Auto switch must be in the O position.

Panel Lamp and Lamp Test Button: Press this button to turn the control panel lamps on or off. The lights will shut off after about ten minutes. Press and hold this button to test all front panel LEDs and meters. The meters will light one bar at a time.

Manual Run/Stop Button: This button starts and stops the set locally and will bypass Time Delay to Start and Stop sequences. The O/Manual/Auto switch must be in the Manual position to enable this button.

O/Manual/Auto Switch: The Manual position enables the use of the Manual Run/Stop button.

The Auto position enables start/stop control of the engine from a remote location. (It disables the use of the Manual Run/Stop button.)

The O (Off) position prevents the starting of the set (local or remote). If the switch is set to O during set operation, the engine will immediately shut down (cool-down timers are bypassed). This hot shutdown should be avoided, if possible, to help prolong the life of the engine.

Configurable Indicators

The following configurable indicators (default values shown) can be changed with the InPower service tool. The configurable items are: change generator event and LED color (green, yellow or red), and enable/disable indicator.

The InPower service tool is required to select the desired settings. Contact an authorized service center for assistance.

Low Oil Pressure Warning Indicator: This yellow lamp indicates the oil pressure is lower than the normal range of operation.

High Engine Temperature Warning Indicator: This yellow lamp indicates the engine temperature is higher than the normal range of operation.

Low Oil Pressure Shutdown Indicator: This red lamp indicates the engine has shut down because of low oil pressure.

Overspeed Shutdown Indicator: This red lamp indicates the engine has shut down because of excessive speed.

Fail to Start Indicator: This red lamp indicates the engine failed to start.



STARTING

The following headings cover the systems used to start the generator set. Figures 3-2, 3-3 and 3-4 provide a flow chart for all start/run/stop sequences.

Before starting the generator set, make sure that exhaust and fuel fittings are tight and properly positioned and that proper maintenance has been performed. See *Prestart Checks* in this section.

With the optional Power Transfer Control (PTC) module installed, the function and sequence of operation of the Start command can differ and is noted as “PTC” in the following paragraphs. Refer to the *Power Transfer Menu* in this section, which describes the operation of the PTC feature.

Starting at the Control Panel (Manual Mode)

Turn the O/Manual/Auto switch to the Manual position and press the Manual Run/Stop button. This will activate the engine control system and the starting system. The starter will begin cranking and, after a few seconds, the engine will start and the starter will disconnect.

The InPower service tool is required to enable/disable the warm-up at idle feature and to adjust the time-out. When shipped from the factory, this feature is disabled.

When the switch is in the Manual position, the control will complete the warm-up at idle feature if enabled. When the coolant reaches operating temperature or the warm-up time at idle time delay (0–300 seconds) is reached, whichever occurs first, the generator set will ramp to the rated speed and voltage.

When the switch is in the Manual position, the generator set can be operated in the idle mode (used for maintenance, troubleshooting, etc.). Refer to Adjust menu (Figure 3-11) to enable/disable the idle feature.

If the engine does not start, the starter will disengage after a specified period of time and the control will indicate an overcrank shutdown.

The generator can be configured for a number of starting cycles (1–7) with set times for crank and rest periods for all starting modes (manual/remote). The default setting is for 3 start cycles, composed of 15 seconds of cranking and 15 seconds of rest.

To change the cycle number, and the crank and rest times, contact an authorized service center for assistance.

To clear a Fail to Start shutdown, place the O/Manual/Auto switch in the O position and press the Fault Acknowledge/Reset button. Wait two minutes for the starter motor to cool and then repeat the starting procedure. If the engine does not run after a second attempt, refer to the *Troubleshooting* section.

Starting from a Remote Location (PTC or Remote Start Signal) (Auto Mode)

Place the O/Manual/Auto switch in the Auto position. This allows the generator set to be started from a remote switch or device (e.g., transfer switch or optional PTC module).

PTC – If a switch is connected to the remote start input of the control and the PTC module is installed, this switch will function as a Test switch. The PTC Test sequence is shown in Figure 3-4.

In response to the Remote Start or the control detects the loss of S1 voltage (PTC option installed), the control lights the Remote Start indicator and initiates the starting sequence as shown in Figure 3-3.

When the switch is in the Auto position, the control will complete the time delay to start.

Refer to the Adjust submenu in this section to enable and change the time delay start/stop settings.

Cold Starting with Loads

In accordance with NFPA 110, Cummins Power Generation recommends installing standby generator sets (life safety systems) equipped with engine jacket water coolant heaters in locations where the minimum ambient temperature is above 40°F (4°C). NFPA also requires that the engine jacket water coolant be maintained at a minimum of 90°F (32°C) and, for most applications, accept the emergency load in 10 seconds or less. Although most Cummins Power Generation generator sets will start in temperatures down to -25°F (-32°C) when equipped with engine jacket water coolant heaters, it might take more than 10 seconds to warm the engine up before a load can be applied when ambient temperatures are below 40°F (4°C).

The **Engine Cold (Code 1435)** message, in conjunction with illumination of the Warning LED, is provided to meet the requirements of NFPA 110. The engine cold sensing logic initiates a warning when the engine jacket water coolant temperature falls below 70°F (21°C). In applications where the ambient temperature falls below 40°F (4°C), a cold engine may be indicated even though the coolant heaters are connected. Under these conditions, although the generator set may start, it may not be able to accept load within 10 seconds. When this condition occurs, check the coolant heaters for proper operation. If the coolant heaters are operating properly, other precautions may be necessary to warm the engine before applying a load.

STOPPING

Emergency Stop

The emergency stop button is located near the center of the upper part of the control panel (Figure 3-1). Push the button in for an emergency stop. The red Shutdown status LED is lit and the emergency stop message is displayed.

To reset:

1. Pull the emergency stop button out.

2. Turn the O/Manual/Auto switch to O.
3. Press the front panel Fault Acknowledge/Reset button.
4. Select Manual or Auto, as required.

Emergency Stop shutdown status can be reset only at the operator control panel.

Stopping at Control Panel (Manual Mode)

If the set was started at the control panel (O/Manual/Auto switch in the Manual position), pressing the Manual Run/Stop button causes the set to complete its normal (Local Start) shutdown sequence (Figure 3-2).

The set stops after the cool-down at idle timer (0 to 30 minutes) has timed out.

The InPower service tool is required to enable/disable the Cool-down At Idle feature. Contact an authorized service center for assistance.

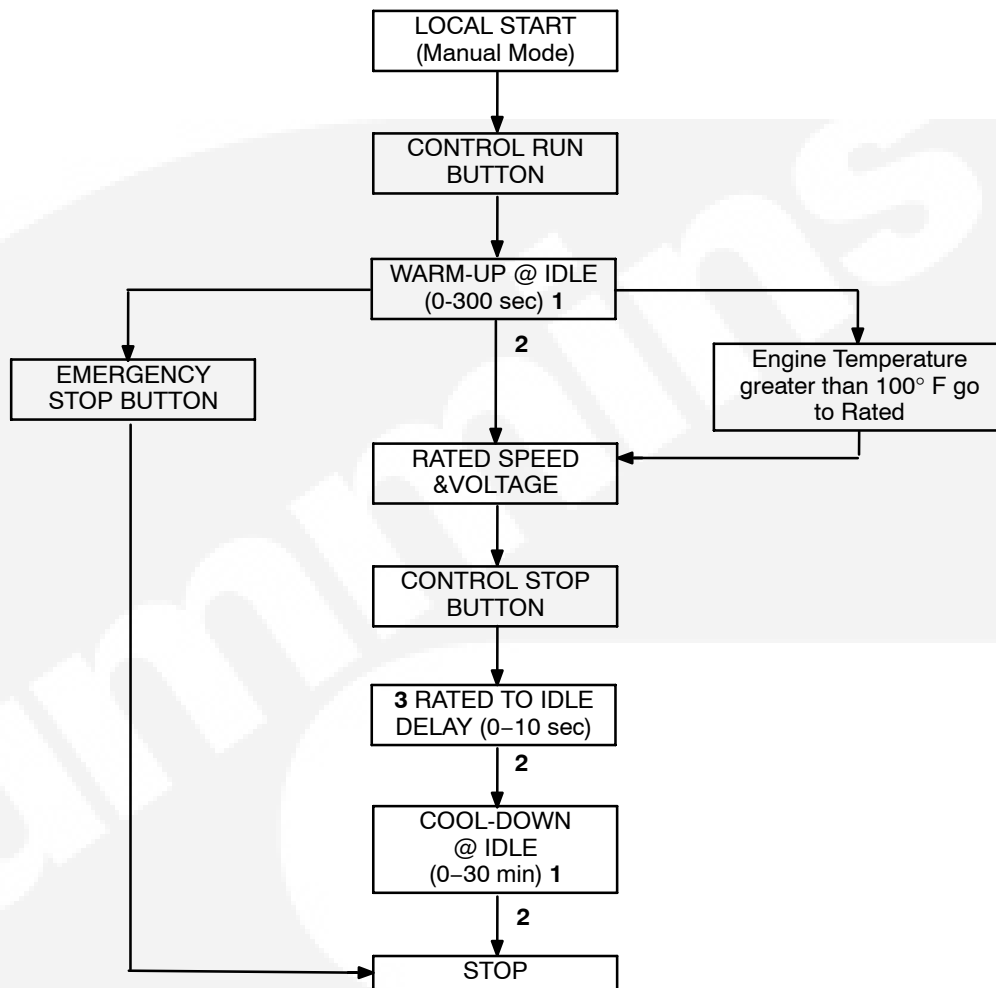
Turning the O/Manual/Auto switch to the O position causes an immediate engine shutdown (bypasses Cool-down At Idle). If possible, this hot shutdown should be avoided to help prolong the reliability of the engine.

Stopping from Remote Location (PTC or Remote Stop Signal) (Auto Mode)

If the control receives a remote stop signal or the control detects the return of S1 voltage (PTC option installed), the set completes its normal shutdown sequence (Figure 3-3). (The remote stop signal is actually the removal of the remote start signal to the control.)

The set stops after completing the Time Delay To Stop (0 to 600 seconds) and the cool-down at idle (0-30 minutes).

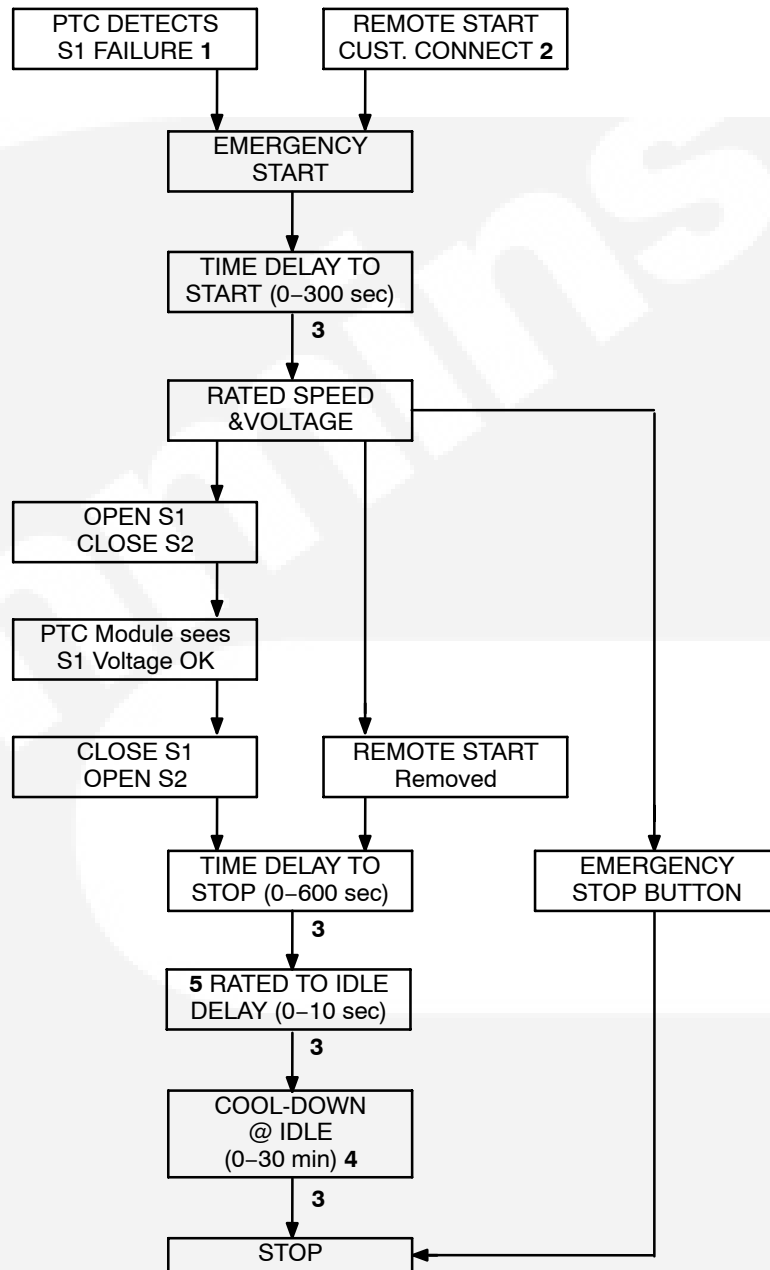
Refer to the Adjust submenu in this section to enable and change the Time Delay To Stop setting. The InPower service tool is required to enable/disable the Cool-down At Idle feature. Contact an authorized service center for assistance.



NOTES:

1. Warm-up/cool-down idle adjusted time-out with InPower.
2. Timer expires.
- 3, Beginning Version 2.303

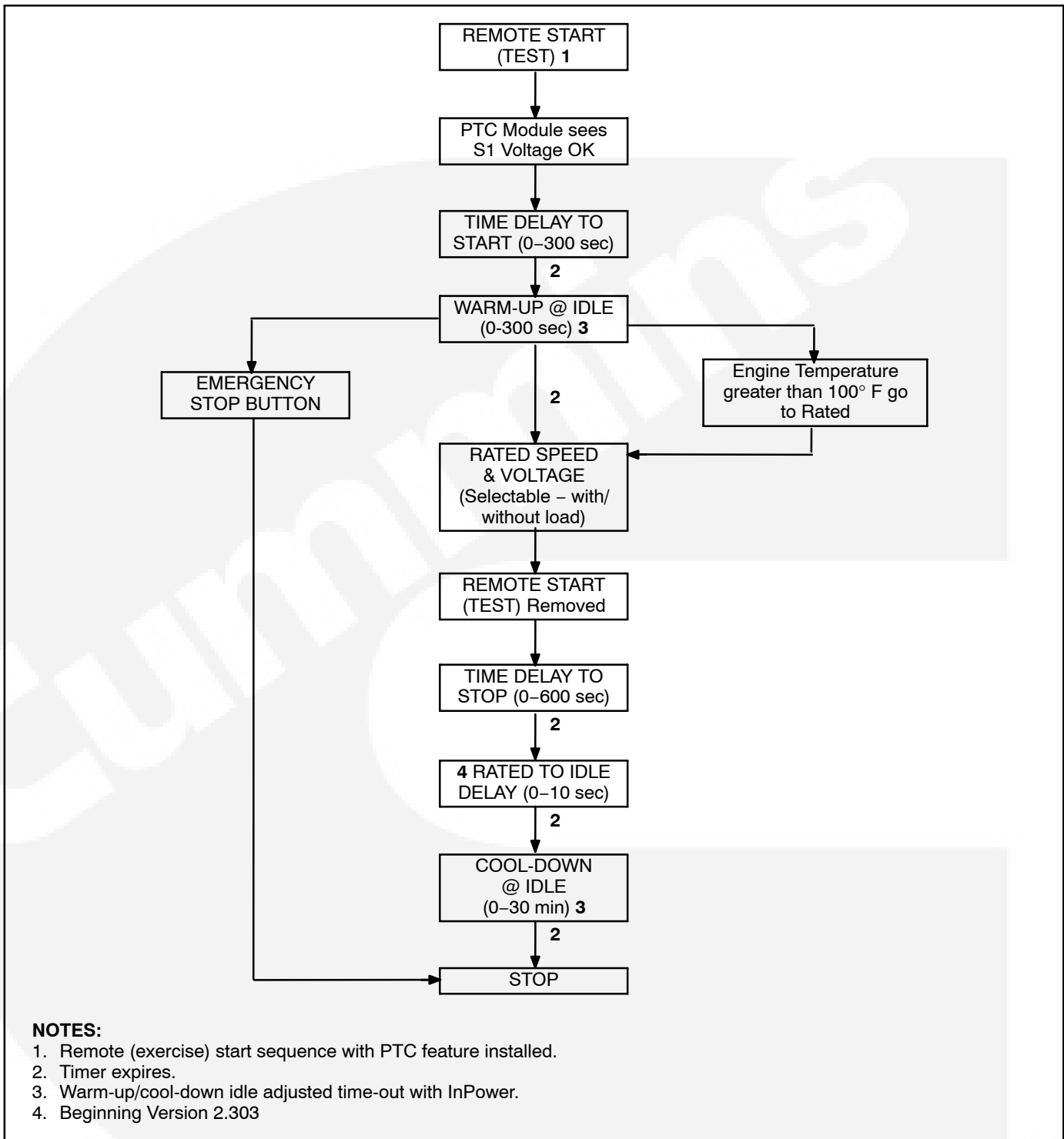
FIGURE 3-2. STARTING AT THE CONTROL PANEL (MANUAL MODE)



NOTES:

1. PTC feature installed.
2. PTC feature not installed (input from transfer switch, remote start switch, etc.).
3. Timer expires.
4. Cool-down adjusted time-out with InPower.
5. Beginning Version 2.303

FIGURE 3-3. STARTING WITH CONTROL IN AUTO MODE (PTC OR REMOTE START SIGNAL)



- NOTES:**
1. Remote (exercise) start sequence with PTC feature installed.
 2. Timer expires.
 3. Warm-up/cool-down idle adjusted time-out with InPower.
 4. Beginning Version 2.303

FIGURE 3-4. PTC FEATURE REMOTE START TEST/EXERCISE SWITCH (IN AUTO MODE)

MENU DISPLAY AND BUTTONS

Figure 3-5 shows the digital display and the menu selection buttons.

Digital Display: The two-line, 20 characters per line, digital display is used to view the menus of the menu-driven operating system. Refer to the menu trees later in this section. The display is also used to show fault messages.

Display Menu Selection Buttons: Four momentary buttons—two on each side of the digital display window—are used to step through the various menu options and to adjust generator set parameters. The button is active when a symbol adjacent to the button is displayed. The displayed symbol indicates the function of the button.

- In the digital display for main menus (Figure 3-6), the ◀ and ▶ symbols indicate that pressing the adjacent button causes the operating program to go to the selected submenu (e.g., Engine Menu in Figure 3-9).
- In the digital display, the More>> symbol indicates that pressing the adjacent button causes the operating program to go to the next main menu, as shown in Figure 3-6.
- In the digital display, the ↓ or ↑ symbols indicate that pressing the adjacent button causes the operating program to go to the next or previous submenu, as shown in the menu diagrams. Only the ↓ symbol is displayed in the first submenu. Only the ↑ is displayed in the last submenu. Both symbols are displayed in the rest of the submenus.

- In the digital display, the plus or minus symbols (+ or -) indicate that pressing the adjacent button can be used to change a parameter or value shown on the display.

When there is a choice of two parameters, one parameter is associated with the + symbol and the other is associated with the - symbol.

When changing values, pressing the button adjacent to the + symbol increases the value and pressing the button adjacent to the - symbol decreases the value. Only one numeric character of a field can be changed at a time.

- In the digital display, the → or ← symbol indicates that pressing the adjacent button causes the operating program to move the cursor to the next numeric character. The selected numeric character can then be changed by pressing the buttons adjacent to the + and - symbols. Only the → symbol is displayed when the cursor is on the first character of a field that can be changed. Only the ← is displayed when the cursor is on the last character. Both symbols are displayed when the cursor is on any other character.
- After adjusting values/parameters, pressing the ▶ symbol results in the changes being saved. **If the Home button or Previous Main Menu button is pressed before pressing the ▶ symbol, the changes are not saved.**

Home Button: Pressing this button causes the operating system to show Main Menu 1 (Figure 3-6) in the digital display.

Previous Main Menu Button: Pressing this button causes the operating system to show the previous Main Menu in the digital display. All main menus include both types of green triangles (◀ and ▶).



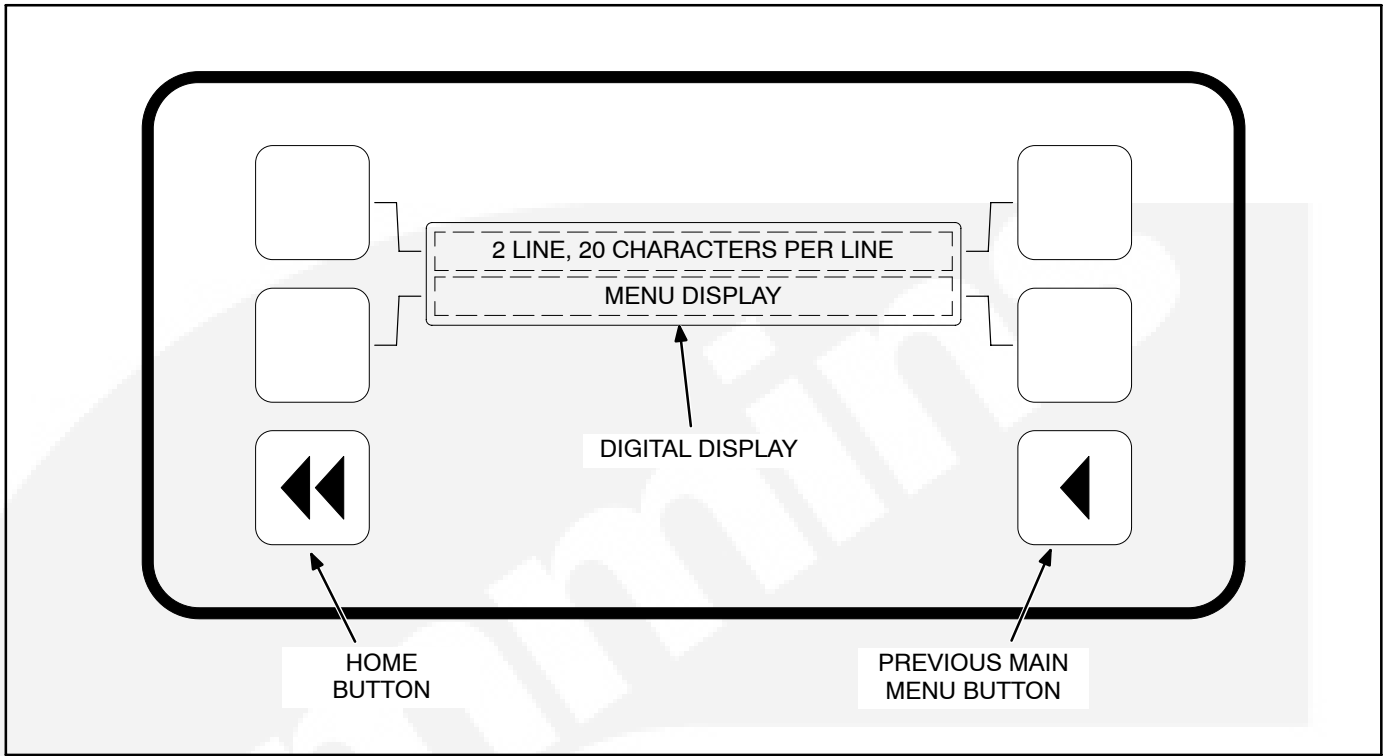


FIGURE 3-5. DIGITAL DISPLAY AND MENU SELECTION BUTTONS



MAIN MENUS

Figure 3-6 shows the three major main menus available to the user. Figure 3-6 also includes references to pages in this section where you can find additional information on submenus. When viewing a submenu, you can press the previous main menu button at any time to view its main menu.

As shown in the illustration, each main menu can branch into one of four directions. Press the button next to "More>>" in the display to view the next Main menu. Main Menu 1 is redisplayed when you press the button next to "More>>" in the Main Menu 3 display.

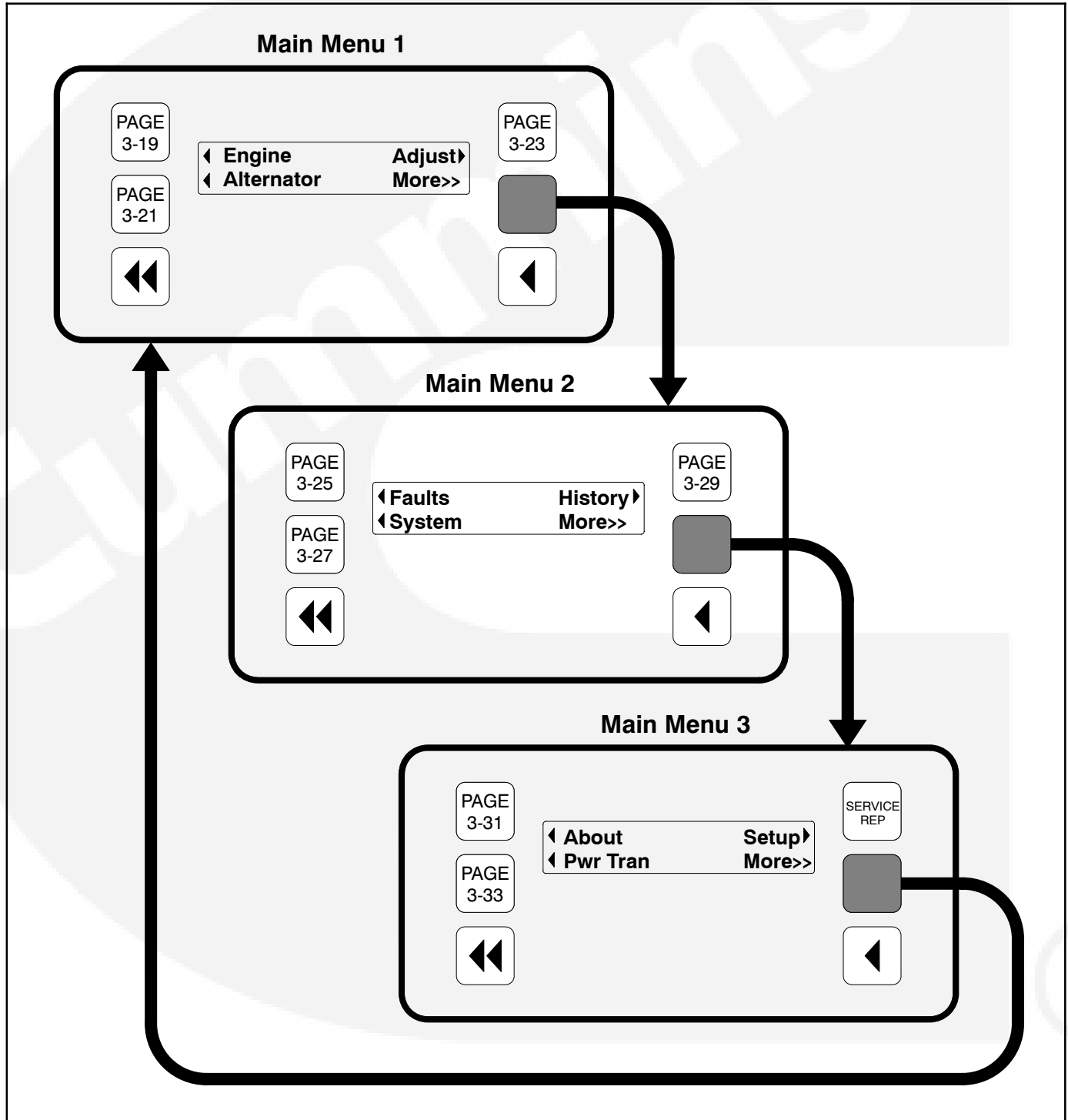


FIGURE 3-6. MAIN MENUS

Main Menu 1

Main Menu 1 is also the Home menu. When viewing any of the other main menus or any submenu, you can press the home button to view this menu.

To display engine parameters, such as coolant temperature, oil pressure, oil temperature, etc., press the button next to the word “Engine” in the display. Turn to the Engine menu diagram on page 3-19.

To display alternator parameters, such as line-to-line voltage, line-to-neutral voltage, amperage, frequency, etc., press the button next to the word “Alternator” in the display. Turn to the Alternator menu diagram on page 3-21.

To adjust generator parameters, such as idle start, voltage, frequency, start delay, and stop delay, press the button next to the word “Adjust” in the display. Turn to the Adjust menu diagram on page 3-23.

To view one of the other main menus, press the button next to “More>>” in the display.

Main Menu 2

To display system faults, press the button next to the word “Faults” in the display. Up to 20 of the most recent/current faults can be displayed. Turn to the Faults menu diagram on page 3-25.

To view network system parameters, such as on the automatic transfer switch (ATS), Master, or Genset

system, press the button next to the word “System” in the display. Turn to the System menu diagram on page 3-27.

To display historical engine parameters such as number of starts, engine hours, control hours, kilowatt hours, and genset duty cycle, press the button next to the word “History” in the display. Turn to the History menu diagram on page 3-29.

To view one of the other main menus, press the button next to “More>>” in the display.

Main Menu 3

To view parameters on the generator, such as model, standby rating, and software version, press the button next to the word “About” in the display. Turn to the About menu diagram on page 3-31.

To view power transfer parameters, such as source power, frequency, generator, utility, and active transfer timer, press the button next to the word “Pwr Tran” in the display. Turn to the Power Transfer Menu on page 3-33.

Main Menu 3 also includes a link to the Setup menu. These menus can be viewed but changes to these menus are restricted to service personnel with the appropriate access code.

To view one of the other main menus, press the button next to “More>>” in the display.



ADJUSTING DEFAULT SETTINGS

The Controller Configuration Menu can be used to adjust the following default settings:

- Language – Select from available loaded languages
- Temperature Units – Fahrenheit or Centigrade
- Fluid Pressure Units – kPA or PSI

For more information on adjusting these settings, turn to the Controller Configuration menu diagram on page 3-17.

SYSTEM MESSAGES

A system message pop-up screen is displayed when the event it is displaying becomes active. These pop-up screens remain displayed until preempted by another pop-up screen or until any display button is pressed. Once a button is pressed, the previous menu is redisplayed. To return to an active pop-up screen from the previous menu, select the following menu:

- *Engine* to redisplay Time Delay Idle
- *Faults* to redisplay Faults
- *Power Transfer* to redisplay PTC Timer

Pop-up screens are displayed for the following:

- Faults
- Power Transfer Control timer
- Time Delay – Start, Stop, and Idle

An example of a Time Delay Idle pop-up screen is shown in Figure 3-7. A countdown, in seconds, is included in the display.

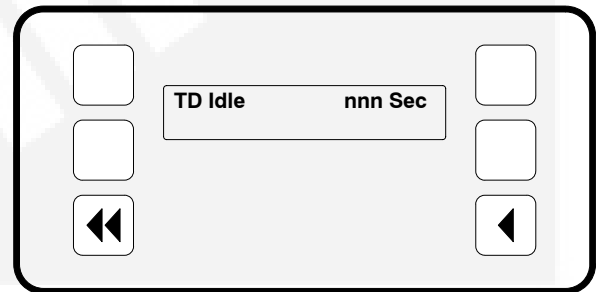


FIGURE 3-7. TIME DELAY IDLE POP-UP SCREEN

CONTROLLER CONFIGURATION MENU

Figure 3-8 shows a block representation of the Controller Configuration menus. These menus are used to change the default language, temperature units, and pressure units to be displayed in menus.

To view the first Controller Configuration menu, make sure Main Menu 1 is displayed and simultaneously press the Home Menu and Previous Main Menu buttons.

As shown in the diagram, the Controller Configuration menu has three submenus.

Press the buttons next to the ↓ and ↑ symbols in the digital display to navigate between the menus.

Press the button next to the ▶ symbol in the display until the + and – symbols are displayed.

Press the button next to the + or – symbol to select the desired option.

After selecting option, pressing the ▶ symbol results in the changes being saved. If the Home button or Previous Main Menu button is pressed before pressing the ▶ symbol, the changes are not saved.

Language Selected submenu: Used to select desired language (default = English).

Temperature Units submenu: Used to select Fahrenheit or Centigrade for temperature readings.

Fluid Pressure Units submenu: Used to select PSI or kPA for pressure readings.



CONTROLLER CONFIGURATION MENU

Main Menu 1

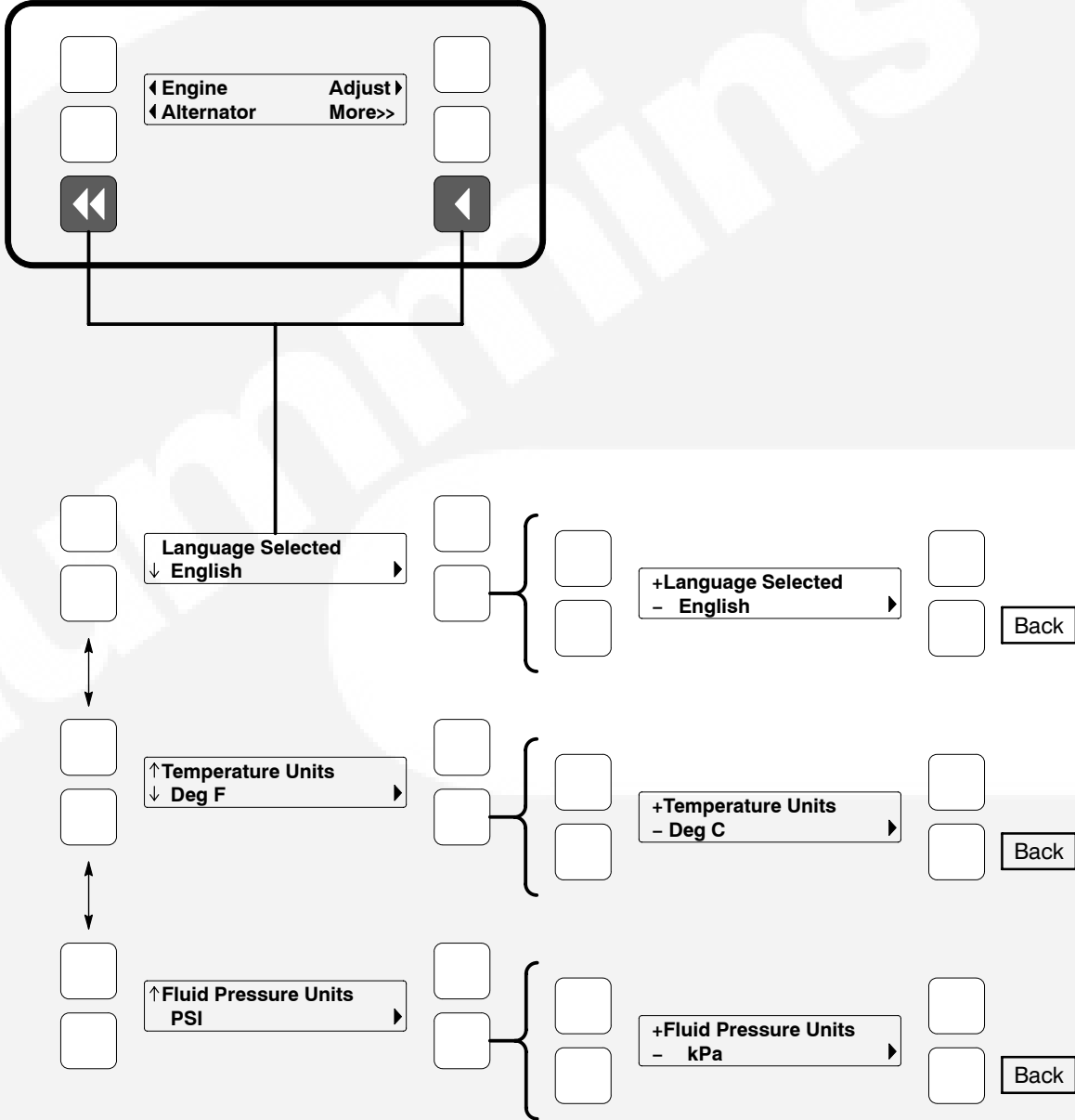


FIGURE 3-8. CONTROLLER CONFIGURATION MENU

ENGINE MENU

Figure 3-9 shows a block representation of the Engine menu. If you press the button next to the word “Engine” in the display, the first Engine submenu is displayed.

As shown in the diagram, the Engine menu has seven submenus. The data in the submenus will vary according to the type and number of sensors provided with the engine.

Press the buttons next to the ↓ and ↑ symbols in the digital display to navigate between the menus. Press the Home button or the Previous Main Menu button to return to Main Menu 1.

Coolant Temperature submenu: This submenu displays the engine coolant temperature which can be viewed in degrees Fahrenheit or Centigrade (see *Controller Configuration Menu* in this section).

Oil Pressure submenu: This submenu displays the engine oil pressure which can be viewed in PSI or kPA (see *Controller Configuration Menu* in this section).

Oil Temperature submenu (Only available on some models): This submenu displays the engine oil temperature which can be viewed in degrees Fahrenheit or Centigrade (see *Controller Configuration Menu* in this section).

Engine Speed submenu: This submenu displays the engine RPM.

Battery Voltage submenu: This submenu displays the engine battery voltage.

Governor Duty Cycle submenu: This submenu displays the governor duty cycle (drive) levels in percentage of maximum.

Active Time Delay submenu: This submenu displays the time delay that is currently active: warm-up, cool down, start or stop delays.

ENGINE MENU

Main Menu 1

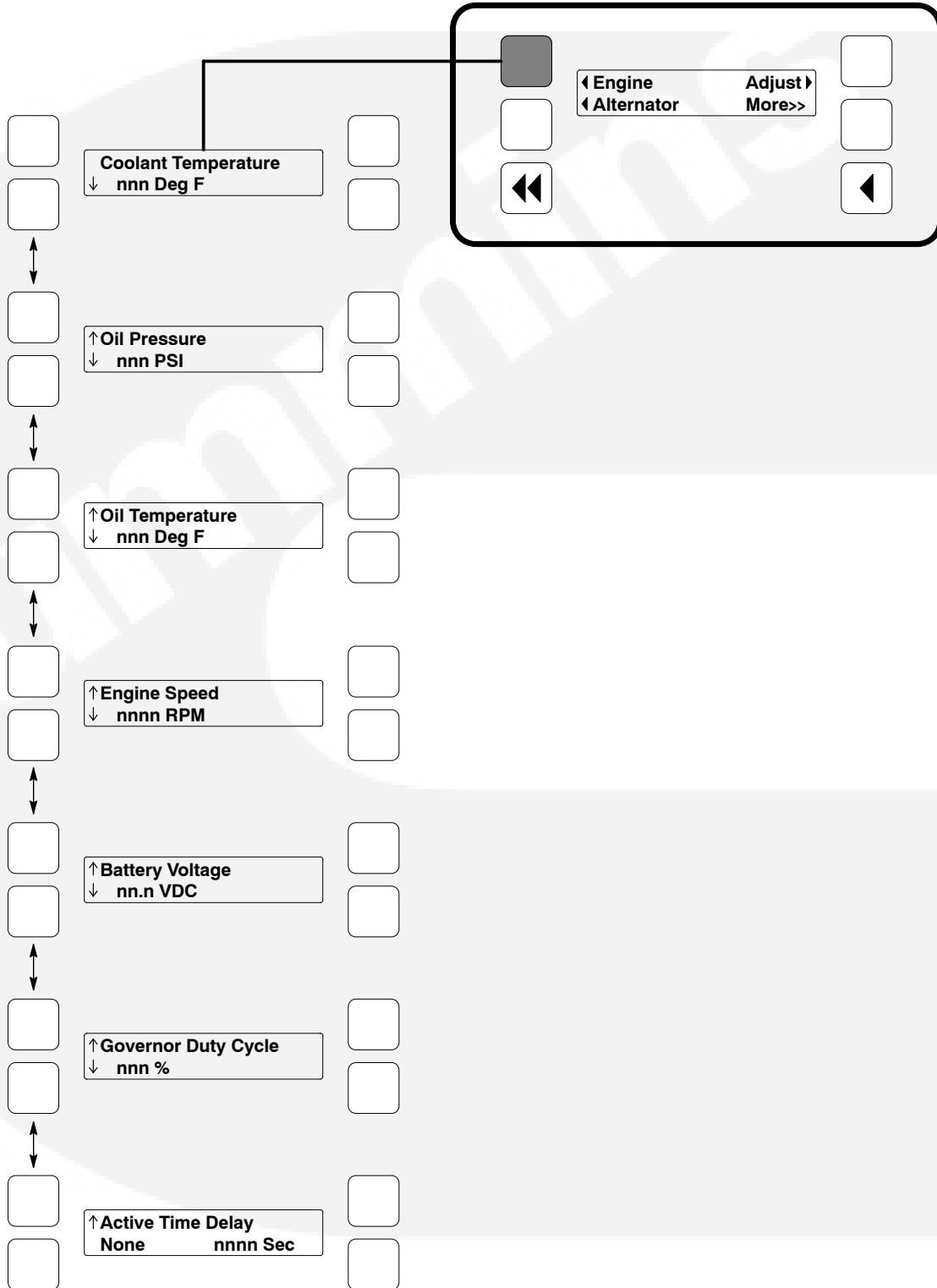


FIGURE 3-9. ENGINE MENU

ALTERNATOR MENU

Figure 3-10 shows a block representation of the Alternator menu. If you press the button next to the word “Alternator” in the display, the first Alternator submenu is displayed.

As shown in the diagram, the Alternator menu has eleven submenus.

Press the buttons next to the ↓ and ↑ symbols in the digital display to navigate between the menus. Press the Home button or the Previous Main Menu button to return to Main Menu 1.

Line-to-Line Voltage submenu: The voltages Line-to-Line (L1, L2 and L3) are measured between L1 to L2, L2 to L3 and L3 to L1, respectively. (Single phase – L1 to L2 only.)

Line-to-Neutral Voltage submenu: Note that the Line-to -Neutral menu will not be displayed for a 3 phase/3 wire system. Single phase – L1 to N and L2 to N.

Amps submenu: All phases. (Single phase – L1 and L2 only.)

Frequency submenu: Generator set output frequency.

Total Real Power submenu: This submenu displays the total amount of real power output, in kilowatts (kW).

Real Power submenu: This submenu displays the amount of real power output for L1, L2, and L3, in kilowatts (kW). (Single phase – L1 and L2 only.)

Total Apparent Power submenu: This submenu displays the total amount of apparent power output, in kilovolt amps (kVA).

Apparent Power submenu: This submenu displays the amount of apparent power output for L1, L2, and L3, in kilovolt amps (kVA). (Single phase – L1 and L2 only.)

Total Power Factor submenu: This submenu displays the power factor with leading/lagging indication.

The PF reading will contain an asterisk if the power factor is leading (for example, Total PF 0.9 *).

Power Factor submenu: This submenu displays a power factor value for L1, L2, and L3. (Single phase – L1 and L2 only.)

The PF reading will contain an asterisk if the power factor is leading (for example, PF L1 0.9*).

AVR Duty Cycle submenu: This submenu displays the voltage regulator (drive) level in percentage of maximum. (Where maximum is 100% Duty Cycle, software clamps Duty Cycle maximum to 60% for PMG and 90% for shunt.)



ALTERNATOR MENU

Main Menu 1

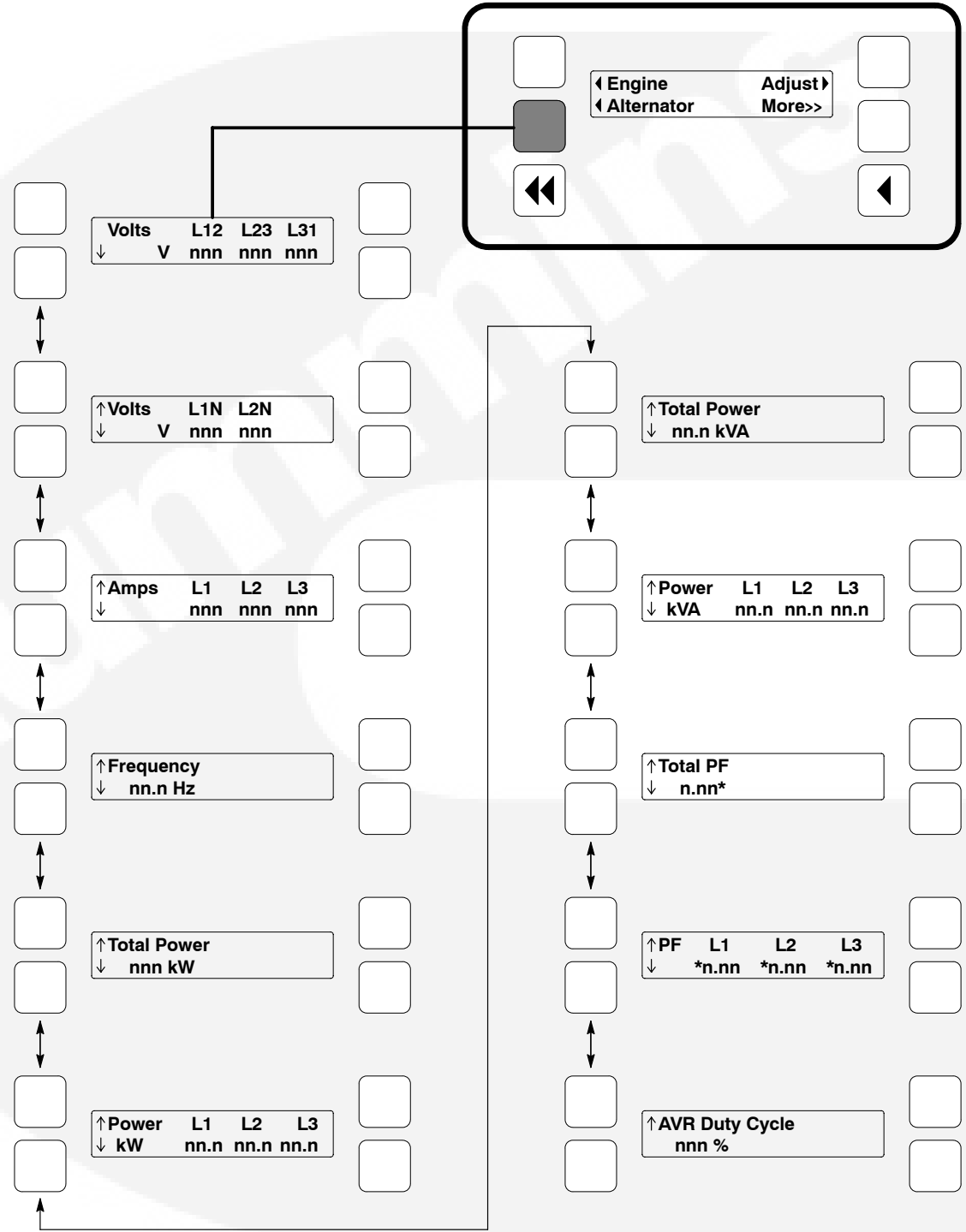


FIGURE 3-10. ALTERNATOR MENU

ADJUST MENU

Figure 3-11 shows a block representation of the Adjust menu. If you press the button next to the word “Adjust” in the display, the first Adjust submenu is displayed.

As shown in the diagram, the Adjust menu has five submenus. Each submenu includes a parameter or value that can be changed.

Press the buttons next to the ↓ and ↑ symbols in the digital display to navigate between the menus. Press the Home button or the Previous Main Menu button to return to Main Menu 1.

Adjusting Values/Parameters:

1. Press the button next to the ► symbol in the display until the + and – symbols are displayed.
2. If necessary, press the button next to the < or > symbols to move to the numeric character you wish to change.
3. Press the button next to the + symbol to increase the value or select parameter; press the button next to the – symbol to decrease the value or select parameter.
4. After adjusting values/selecting parameters, pressing the ► symbol results in the changes being saved. (When adjusting values, make sure the cursor is on the last numeric character before pressing the ► symbol).

If the Home button or Previous Main Menu button is pressed before pressing the ► symbol, the changes are not saved.

Voltage Adjust submenu: Voltage can be adjusted to ± 5 percent of the nominal voltage. For example, if genset output voltage is 208 volts, the voltage can be adjusted from 198 to 218 volts.

If the displayed value is greater or less than the allowed (5%) range, the control will not except the entry and will return to the previous setting. Retry by entering a smaller change in one volt increments.

Frequency Adjust submenu: Frequency can be adjusted to ± 5 percent of the nominal frequency. For example, if the genset frequency is 60.0 Hz, the frequency can be adjusted from 57.0 to 63.0 Hz.

Start Delay submenu: Start Delay can be set from 0 to 300 seconds (default = 0). (Enter 1 or more to enable.) This function is bypassed during a manual start/stop sequence.

Stop Delay submenu: Stop Delay can be set from 0 to 600 seconds (default = 0). (Enter 1 or more to enable.) This function is bypassed during a manual start/stop sequence and engine shutdown faults.

Rated To Idle (Beginning Version 2.303): Rated To Idle delay can be set from 0 to 10 seconds (default = 0). (Enter 1 or more to enable.) Entering a non-zero delay will cause the genset to delay the transition to Cooldown At Idle.

Idle Start submenu (Only available on some models): Idle Start can be enabled or disabled (default = Disable). This function is only enabled when the genset is started in manual mode. Idle Start can also be enabled while the set is running in manual mode. (Auto/remote start is not affected by this setting.)

Enabling Idle Start will cause the genset to run in idle mode until Idle Start is disabled. A warning is displayed if genset is left in idle more than 10 minutes. Long periods of engine idling can eventually affect engine performance and may void engine warranty.

ADJUST MENU

Main Menu 1

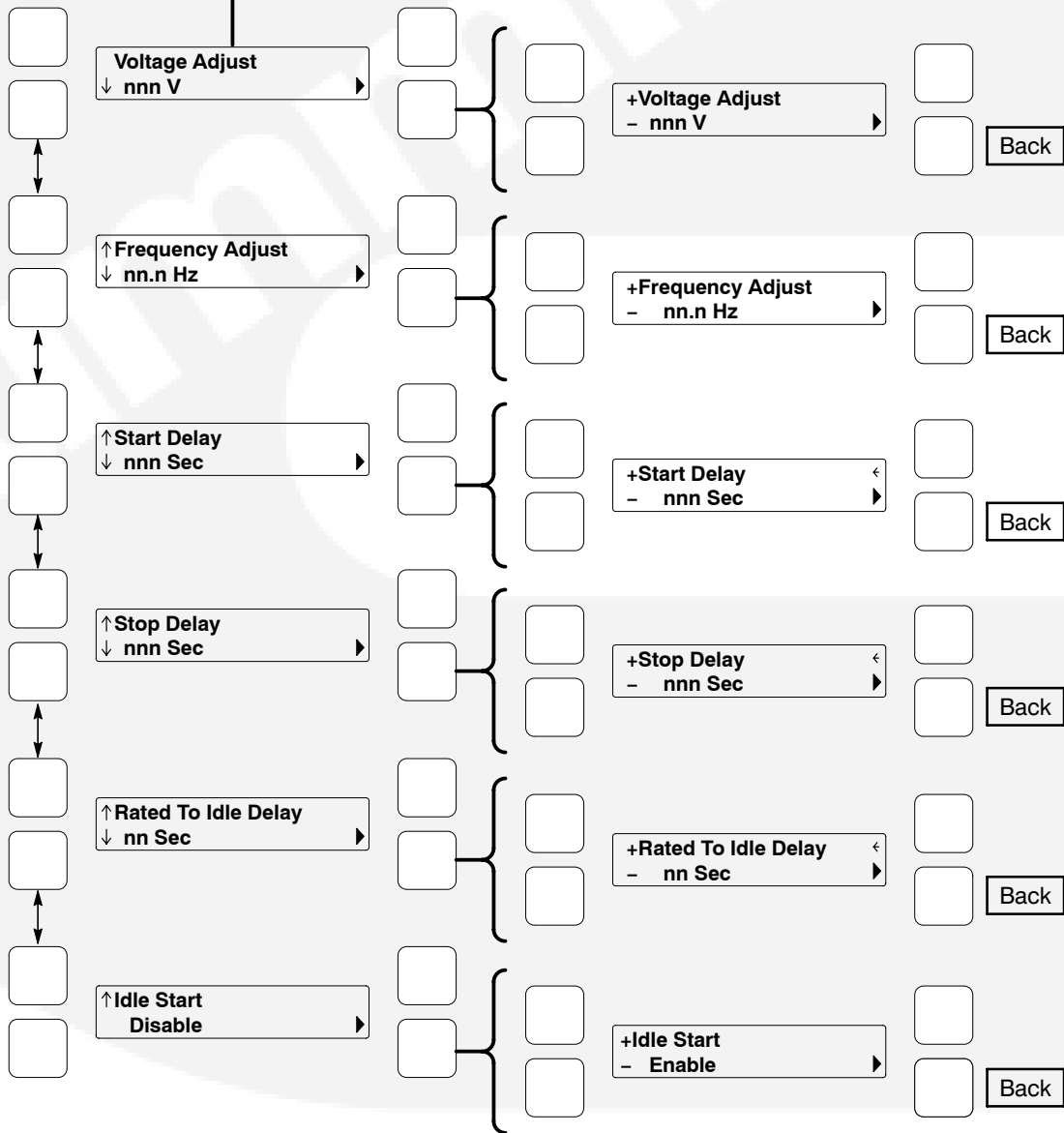
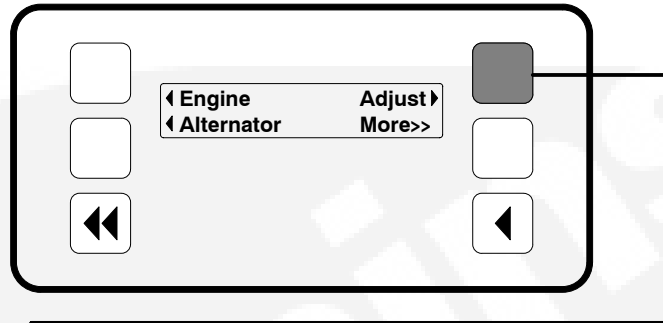


FIGURE 3-11. ADJUST MENU

FAULTS MENU

Figure 3-13 shows a block representation of the Faults menu. Up to 20 of the most recent faults can be viewed. An example of how a fault code is displayed is shown in Figure 3-12.

The available menus are dependent on the number of faults that have occurred.

- If there are *no faults*, the ◀ symbol next to the word “Faults” is not displayed and no Fault menus are available.
- If *more than one fault* has occurred, press the button next to the word “Fault” in the screen display to view the Faults Main Menu. As shown in the diagram, the Faults Main Menu has two submenus. Press the Previous Main Menu button to return to the Faults Main Menu. Press the Previous Main Menu button a second time to return to Main Menu 2.

Press the Home button at any time to return to Main Menu 1.

History submenu: From the Faults Main Menu, press the button next to the word “History” in the display to view up to twenty of the most recent acknowledged faults. Press the buttons next to the ↓ and ↑ symbols in the digital display to navigate between the menus. Press the Previous Main Menu button to return to the Faults Main Menu.

Current Fault submenu: From the Faults Main Menu, press the button next to the word “Current” in the display to view up to twenty of the most recent unacknowledged faults. Press the Previous Main Menu button to return to the Faults Main Menu.

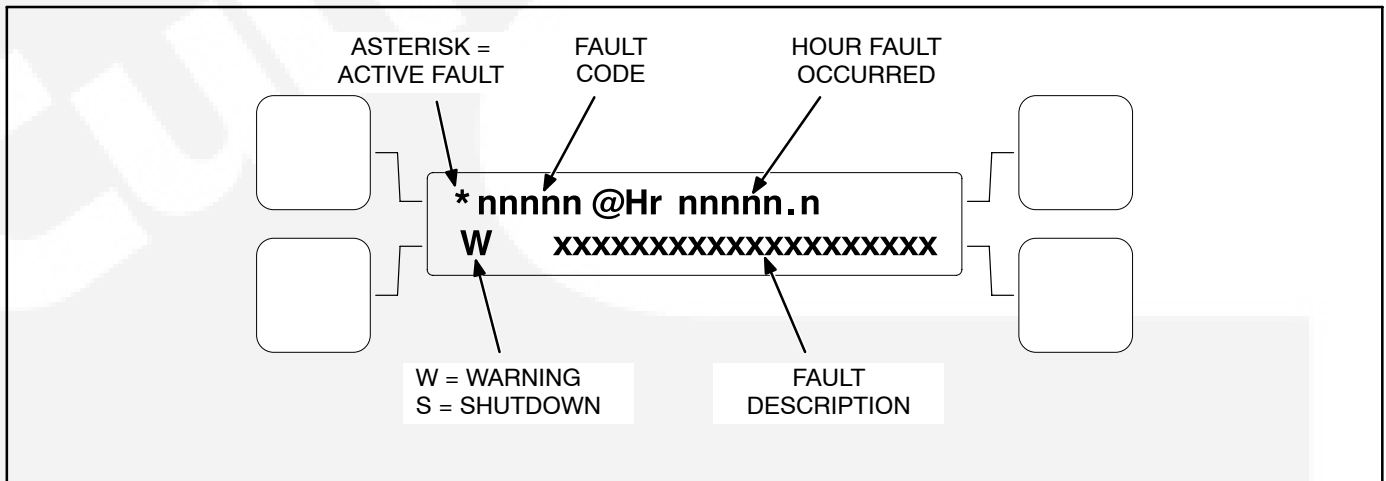


FIGURE 3-12. HISTORY/CURRENT FAULT SUBMENU

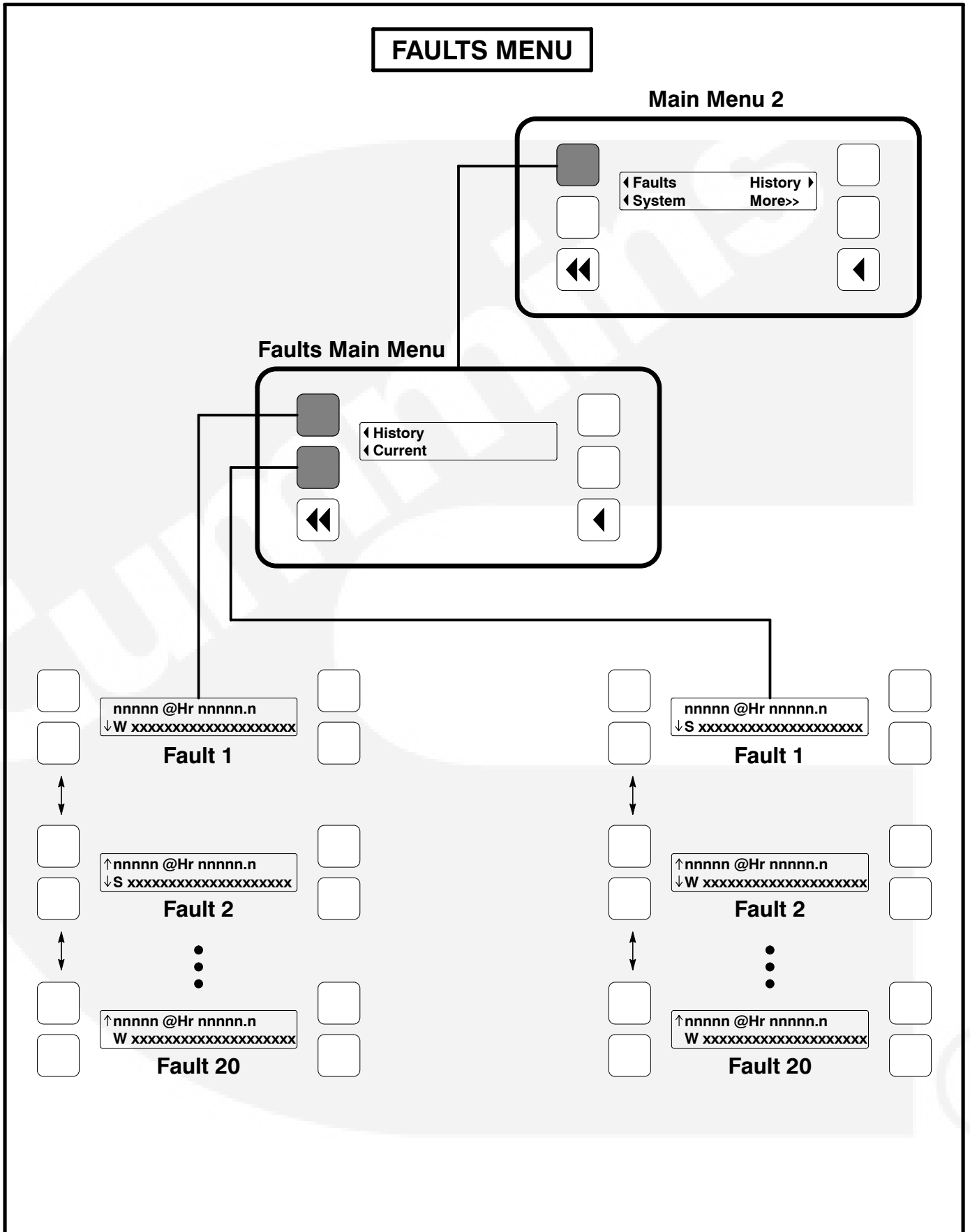


FIGURE 3-13. FAULTS MENU

SYSTEM MENU

Figure 3-14 shows a block representation of the System menu. If you press the button next to the word “System” in the display, the System Main Menu is displayed. This menu is displayed only if the network communications module (NCM) feature is installed. The System Main Menu allows you to view the status and load of other PCC equipment connected on a common network with the PCC 2100 control.

As shown in the diagram, the System Main Menu has three submenus.

When viewing ATS and Genset System submenus, press the buttons next to the ↓ and ↑ symbols in the digital display to navigate between the menus. Press the Previous Main Menu button to return to the System Main Menu. Press the Previous Main Menu button a second time to return to Main Menu 2. Press the Home button to return to Main Menu 1.

ATS System submenus: From the System Main Menu, press the button next to the word “ATS” in the display to view the first of up to 16 ATS System submenus. An ATS system must be available in the network to display this submenu.

The ATS submenu allows viewing of the transfer switch name (configured with InPower), kW load (if monitored by the ATS system), status (e.g., not in auto), and source connected and availability (ON = source connected, OK = source available, or NA = source not available).

Master System submenu: From the System Main Menu, press the button next to the word “Master” in the display to view the Master System submenu. A master controller must be available in the network to display this submenu.

The master submenu allows viewing of the master controller name (configured with InPower), kW load and operational state.

Genset System submenus: From the System Main Menu, press the button next to the word “Genset” in the display to view the first of up to 16 Genset System submenus. One genset must be available in the network to display this submenu.

The genset submenu allows viewing of the genset name (configured with InPower), kW load and operational state.

If a PCC 2100 control genset, in the network, contains the Power Transfer Control (PTC) feature, a genset system submenu will be displayed for the genset and the ATS System submenu will be displayed for the PTC feature.

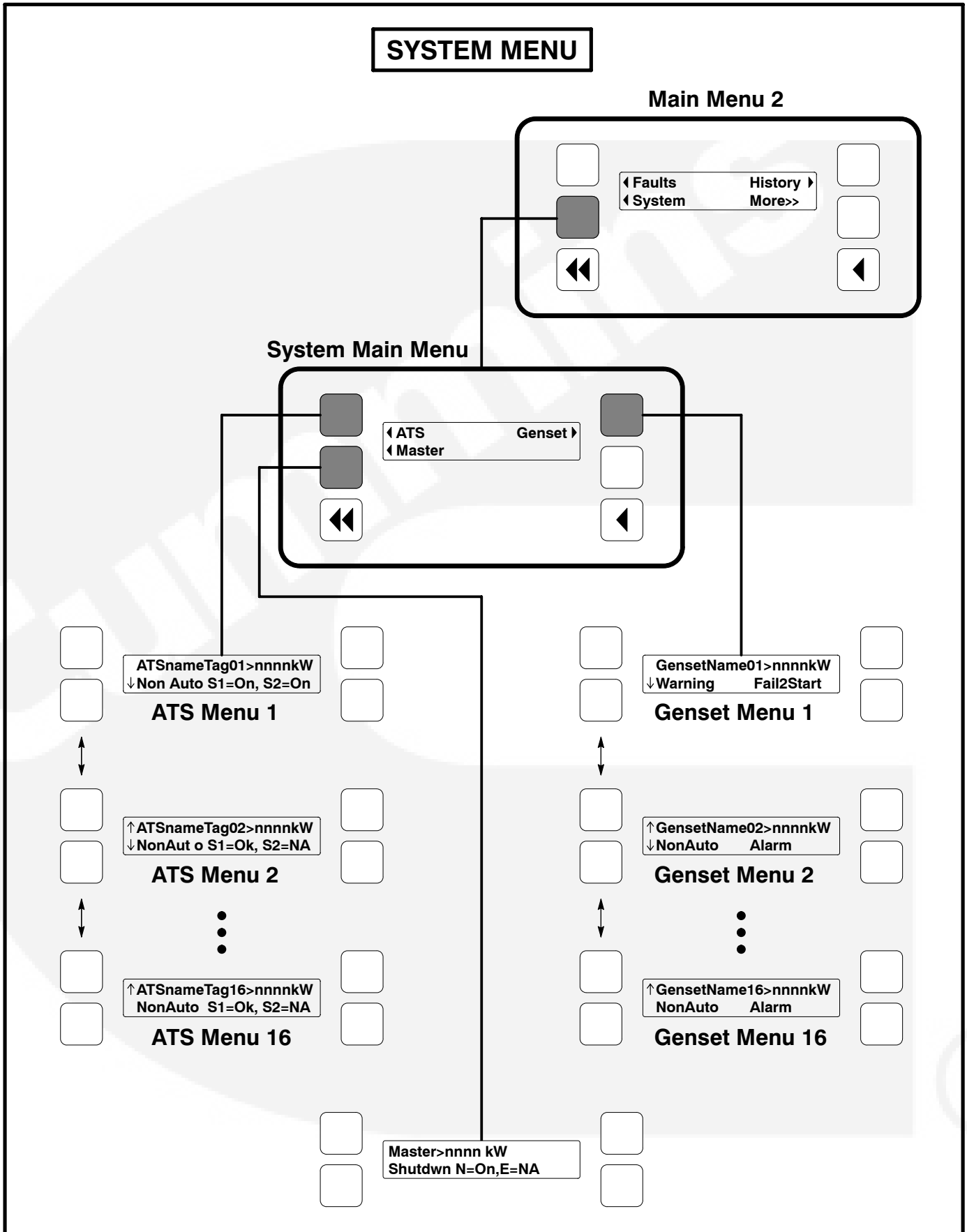


FIGURE 3-14. SYSTEM MENU

HISTORY MENU

Figure 3-15 shows a block representation of the History menu. If you press the button next to the word “History” in the display, the first History submenu is displayed.

As shown in the diagram, the History menu has five submenus. This information is stored in non-volatile memory and will not be deleted due to loss of battery power.

Press the buttons next to the ↓ and ↑ symbols in the digital display to navigate between the menus. Press the the Previous Main Menu button to return to Main Menu 2. Press the Home button to return to Main Menu 1.

Number of Starts submenu: This submenu shows the number of engine starts.

Engine Hours submenu: This submenu shows the number of operating hours for the engine.

Control Hours submenu: This submenu shows the number of operating hours for the control.

Kilowatt Hours submenu: This submenu shows the number of kilowatt (kW) or megawatt (MW) hours.

Genset Duty Cycle submenu: This submenu shows the percent of genset operating hours that are less than 30 percent of rated load and percent of hours that are greater than 90 percent.



HISTORY MENU

Main Menu 2

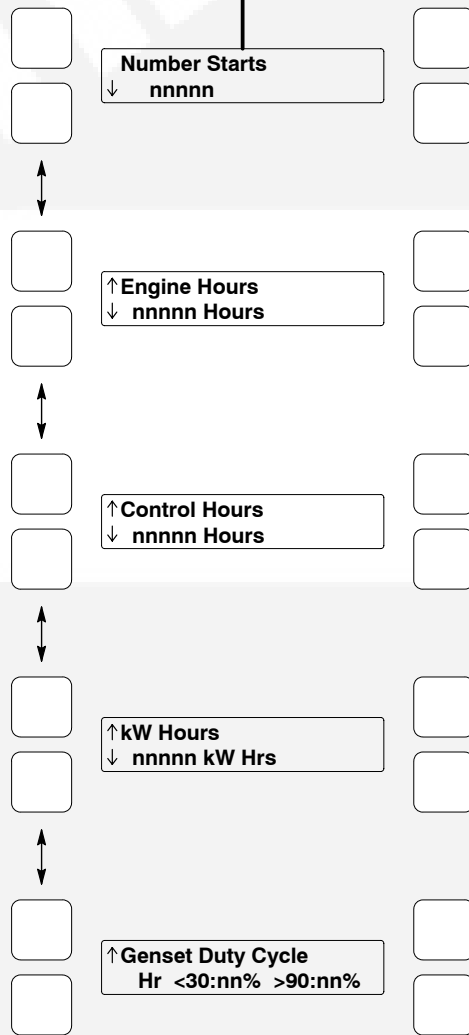
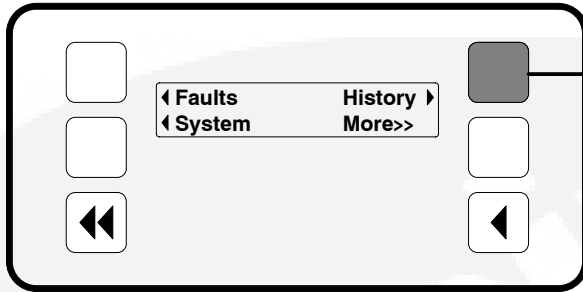


FIGURE 3-15. HISTORY MENU

ABOUT MENU

Figure 3-16 shows a block representation of the About menu. If you press the button next to the word “About” in the display, the first About submenu is displayed.

As shown in the diagram, the About menu has three submenus.

Press the buttons next to the ↓ and ↑ symbols in the digital display to navigate between the menus. Press the the Previous Main Menu button to return to Main Menu 3. Press the Home button to return to Main Menu 1.

Model submenu: This submenu shows the genset model.

Rating submenu: This submenu shows the rating (Standby or Prime and number of kilowatts (kW)).

Software Version submenu: This submenu shows the software version level. This information is required to service the generator set.



ABOUT MENU

Main Menu 3

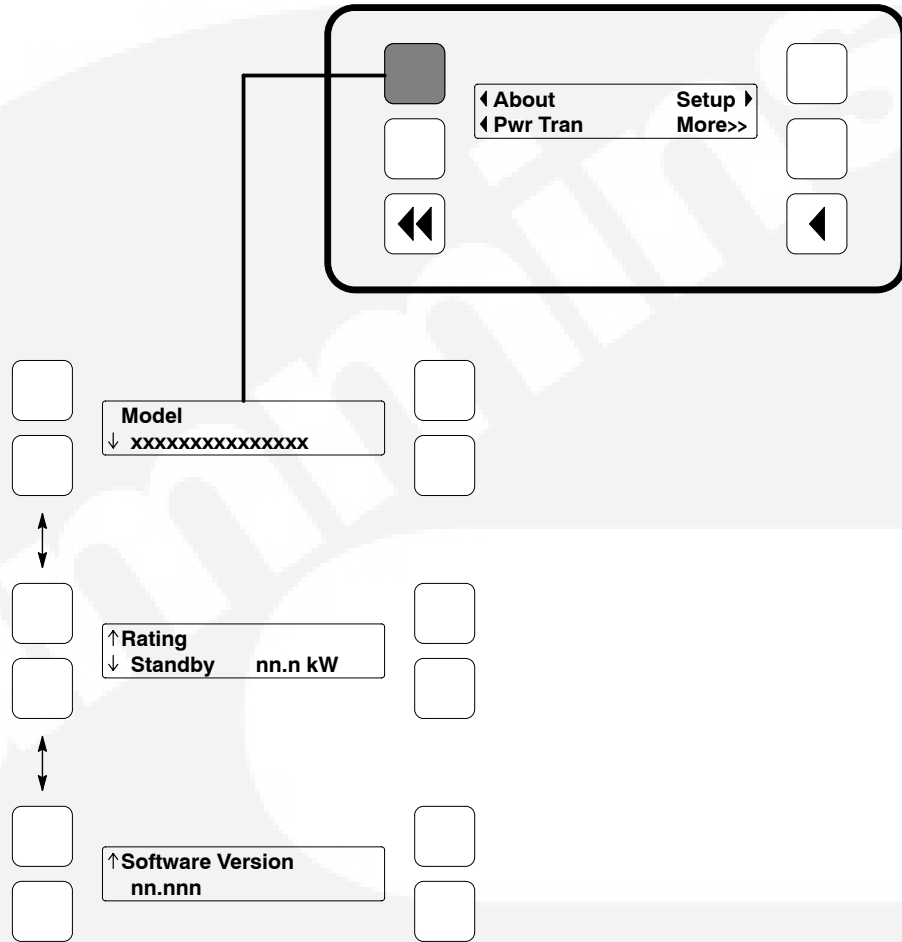


FIGURE 3-16. ABOUT MENU

POWER TRANSFER MENU

Figure 3-17 shows a block representation of the Power Transfer menu. If you press the button next to the word “Pwr Tran” in the display, the first Power Transfer submenu is displayed. The Power Transfer Control (PTC) feature must be installed to display this submenu.

The PTC module enables the PCC to monitor the utility voltage (mains) and frequency for failure and control the opening and closing of the contacts (circuit breakers) for Source 1 (S1 utility) and Source 2 (S2 genset).

If S1 power fails, the control will initiate the starting sequence (Figure 3-3), open S1 and close S2 to the load. When S1 returns, the load is retransferred to S1 and the control initiates the genset shutdown sequence.

As shown in the diagram, the Power Transfer menu has five submenus.

Press the buttons next to the ↓ and ↑ symbols in the digital display to navigate between the menus. Press the the Previous Main Menu button to return to Main Menu 3. Press the Home button to return to Main Menu 1.

S1 (Source 1) submenu: This submenu shows power transfer source voltage. The voltages Line-to-Line (L1, L2 and L3) are measured between L1 to L2, L2 to L3 and L3 to L1, respectively. (Single phase – L1 to L2 only.)

S1 (L-N Source) submenu: This submenu is displayed only if the control system is configured for line-to-neutral voltage sensing of source 1. Single phase only – L1 to N and L2 to N.

Frequency submenu: This menu shows power transfer source frequency.

Source 1 submenu: This submenu shows utility status (On, Ok, or NA). “On” means Source 1 is connected and available. “Ok” means Source 1 is available but not connected. “NA” means Source 1 is not available.

Genset submenu: This submenu shows generator status (On, Ok, or NA). “On” means the genset is connected and available. “Ok” means the genset is available but not connected. “NA” means the genset is not available.

Active Transfer Timer submenu: This submenu shows the time delay, in seconds.



POWER TRANSFER MENU

Main Menu 3

Inset view of the Main Menu 3 screen. The screen displays four menu items: "About", "Pwr Tran", "Setup", and "More". The "Pwr Tran" item is highlighted. Navigation is controlled by arrow keys: a left arrow to move between items, a right arrow to move between items, and a double left arrow to return to the previous menu level.

Main menu structure for the Power Transfer Menu. The menu items are as follows:

- S1** (highlighted)
 - ↓ V
 - L12 nnn
 - L23 nnn
 - L31 nnn
- ↕
- S1** (highlighted)
 - ↑ S1
 - ↓ V
 - L1N nnn
 - L2N nnn
- ↕
- Frequency** (highlighted)
 - ↑ Frequency
 - ↓ nn.n Hz
- ↕
- S1** (highlighted)
 - ↑ S1
 - ↓ On
- ↕
- Genset** (highlighted)
 - ↑ Genset
 - ↓ On
- ↕
- Active Tran Timer** (highlighted)
 - ↑ Active Tran Timer
 - ↓ TD Re-Trans nnn Sec

FIGURE 3-17. POWER TRANSFER MENU



THIS PAGE LEFT INTENTIONALLY BLANK



4. Troubleshooting

GENERAL

The genset control continuously monitors engine sensors for abnormal conditions, such as low oil pressure and high coolant temperature. If any of these conditions occur, the control will light a yellow Warning lamp or a red Shutdown lamp and display a message on the digital display.

This section lists the warning and shutdown codes/messages (Table 4-1), and suggests troubleshooting procedures (Table 4-2).

Displayed error codes that are not listed in Table 4-2 will require an authorized service representative to correct the fault. Contact an authorized service center for assistance.

SAFETY CONSIDERATIONS

⚠ WARNING *Contacting high voltage components can cause electrocution, resulting in severe personal injury or death. Keep the output box covers in place during troubleshooting.*

High voltages are present when the set is running. Do not open the generator output box while the set is running.

⚠ WARNING *Ignition of explosive battery gases can cause severe personal injury or death. Arcing at battery terminals, light switch or other equipment, flame, pilot lights and sparks can ignite battery gas. Do not smoke, or switch trouble light ON or OFF near battery. Discharge static electricity from body before touching batteries by first touching a grounded metal surface.*

Ventilate battery area before working on or near battery—Wear goggles—Stop genset and disconnect charger before disconnecting battery cables—Disconnect negative (-) cable first and reconnect last.

⚠ CAUTION *Disconnect battery charger from AC source before disconnecting battery cables. Otherwise, disconnecting cables can result in voltage spikes damaging to DC control circuits of the set.*

⚠ WARNING *Accidental starting of the generator set can cause severe personal injury or death. Prevent accidental starting by disconnecting the negative (-) cable from the battery terminal.*

When troubleshooting a set that is shut down, make certain the generator set cannot be accidentally restarted as follows:

5. Move the O/Manual/Auto switch on the control panel to the O (off) position.
6. Turn off or remove AC power from the battery charger.
7. Remove the negative (-) battery cable from the generator set starting battery.



STATUS INDICATORS

Running Indicator: This green lamp is lit whenever the generator (local or remote) is running (Figure 4-1).

Remote Start Indicator: This green lamp is lit whenever the control is receiving a remote run signal.

Not in Auto Indicator: This red lamp flashes continuously when the O/Manual/Auto switch is not in the Auto position. (if in Auto position and the lamp is flashing, service is required.)

Configurable Indicators: Defaults for the configurable indicators shown in Figure 4-1 can be changed with the InPower service tool.

Shutdown Status Indicator: This red lamp is lit whenever the control detects a shutdown condition. The generator set cannot be started when this lamp is on. After the condition is corrected, shutdown indicators can be reset by turning the O/Manual/Auto switch to the O position and pressing the Fault Acknowledge/Reset button.

Warning Status Indicator: This yellow lamp is lit whenever the control detects a warning condition. After the condition is corrected, warning indicators can be reset by pressing the Fault Acknowledge/Reset button. (It may **not** be necessary to stop the

generator set.) In auto mode, warning indicators can also be reset by cycling the remote reset input after the condition is corrected.

Some warnings remain active after the condition is corrected and the control reset button is pressed. This will require the genset to be shutdown to reset the warning indicator.

Digital Display: This two-line, 20-characters per line alphanumeric display is used to view menus of the menu-driven operating system and to show warning and shutdown messages.

LINE CIRCUIT BREAKER (OPTIONAL)

The optional line circuit breaker mounts on the generator output box. If the load exceeds the generator current rating, the line circuit breaker will open, preventing the generator from being overloaded. If the circuit breaker trips, locate the source of the overload and correct as necessary. Manually reset the breaker to reconnect the load to the generator.

CONTROL AND DIAGNOSTICS VIA NETWORK OR PC (LAPTOP)

See your authorized Cummins Power Generation dealer regarding software, hardware and network requirements for control and diagnostics via network or PC.



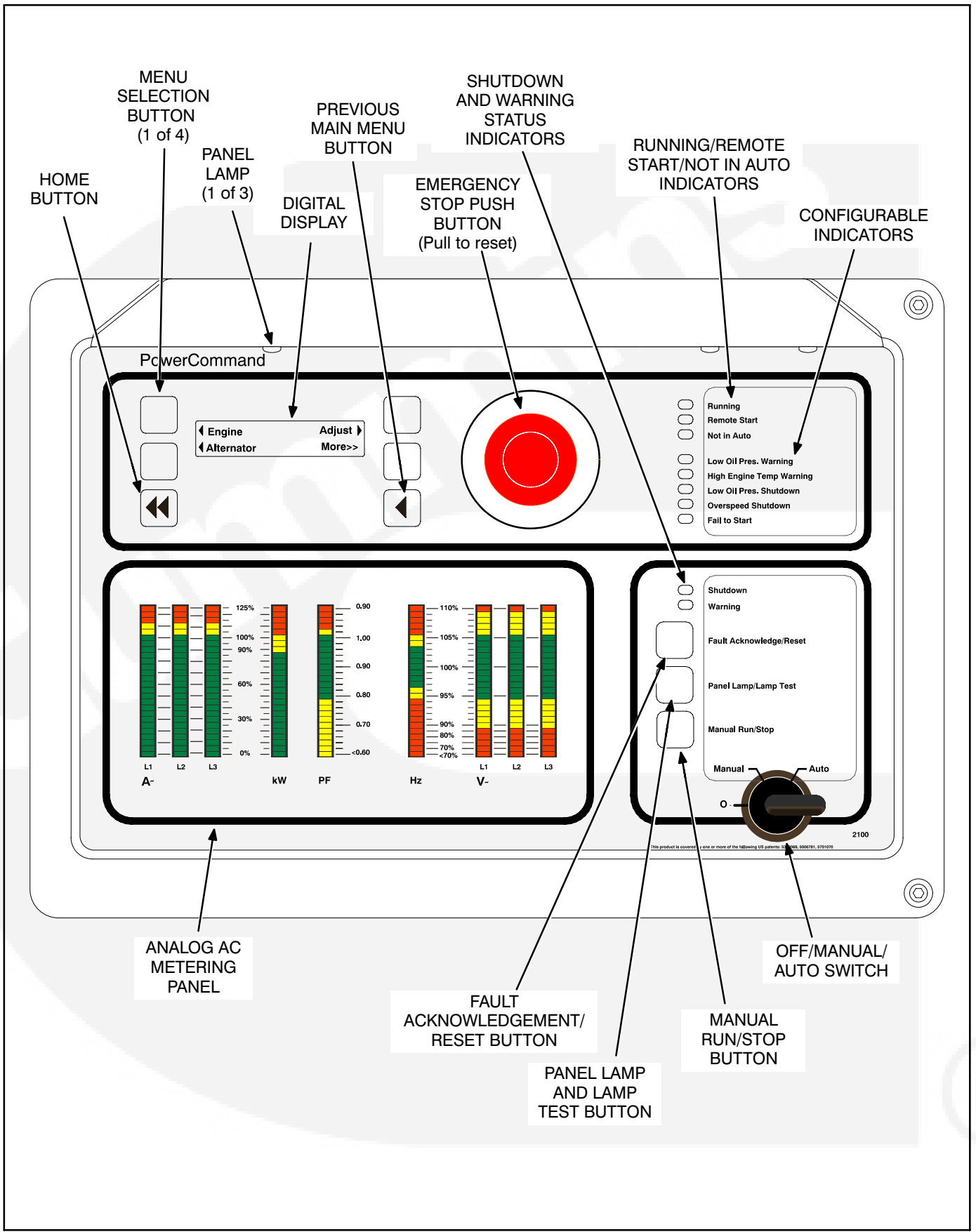


FIGURE 4-1. FRONT PANEL (FULL FEATURED)

FAULT CODES

The fault codes have been divided into five categories to help you determine what corrective action to take for safe operation of the generator set. Use Table 4-1 to find the category (CTG) and fault description for all codes. *Gaps in the code numbers are for codes that do not apply to this genset.*

Category A Fault Codes: Pertain to engine or alternator shutdown faults that require immediate repair by qualified service personnel (generator set non-operational). Control prevents the generator set from being restarted.

Category B Fault Codes: Consist of faults that can affect genset performance or cause **engine, alternator, or connected equipment damage**. Operate only when generator set is powering critical loads and cannot be shut down. Requires repair by qualified service personnel.

Category C Fault Codes: Consist of faults that do not affect generator set performance but require qualified service personnel to repair. These codes indicate a defective harness or wiring problem.

These codes can also indicate a defective engine sensor, leaving no engine protection. (Engine damage can occur without detection.) **Continued operation may void generator set warranty if damage occurs that relates to fault condition.**

Category D Fault Codes: Consist of faults that are repairable by site personnel. Service will be required by qualified service personnel if site personnel cannot resolve the problem after taking the corrective actions suggested in Table 4-2.

Category E Fault Codes: Indicates non-critical operational status of generator set, external faults, or customer fault inputs. May require repair by qualified service personnel.

TABLE 4-1. FAULT CODES

CTG	CODE	LAMP	DISPLAYED MESSAGE
A	121	Shtdn	Speed Signal Lost
C	135	Wrng	Oil Pressure Sensor H
C	141	Wrng	Oil Pressure Sensor L
D	143	Wrng	Pre-Low Oil Pres
C	144	Wrng	Coolant Sensor High
C	145	Wrng	Coolant Sensor Low
D	146	Wrng	Pre-High Coolant Temp
D	151	Shtdn	High Coolant Temp
D	197	Wrng	Low Coolant Level

CTG	CODE	LAMP	DISPLAYED MESSAGE
A	234	Shtdn	Overspeed
D	235	Shtdn	Low Coolant Level
D	359	Shtdn	Fail To Start
D	415	Shtdn	Low Oil Pressure
D	441	Wrng	Low Bat Voltage
D	442	Wrng	High Bat Voltage
A	1123	Shtdn	Shutdown After BS
E	1124	Wrng	Delayed Shutdown
E	1131	Wrng	Battle Sh Active

TABLE 4-1. FAULT CODES (CONT.)

CTG	CODE	LAMP	DISPLAYED MESSAGE
E	1311	Shtdn/ Wrng/ None	Customer Input #1
E	1312	Shtdn/ Wrng/ None	Customer Input #2
E	1313– 1316	Shtdn/ Wrng/ None	Network Fault 1 thru 4
E	1317	Shtdn/ Wrng/ None	Customer Input #3
B	1318	Wrng	Service Engine
A	1334	Shtdn	Crit Scaler OR
B	1335	Wrng	Noncrit Scaler OR
C	1416	Wrng	Fail To Shutdown
D	1417	Wrng	Powr Down Error
D	1433	Shtdn	Emergency Stop
D	1434	Shtdn	Remote E-Stop
D	1435	Wrng	Low Coolant Temp
D	1438	Shtdn	Fail To Crank
D	1442	Wrng	Weak Battery
D	1443	Shtdn	Battery Failed
B	1444	Wrng	KW Overload
A	1445	Shtdn	Short Circuit
A	1446	Shtdn	High AC Voltage
A	1447	Shtdn	Low AC Voltage
D	1448	Shtdn	Under Frequency
A	1449	Wrng	Over Frequency
A	1452	Wrng	Gen CB Not Close

CTG	CODE	LAMP	DISPLAYED MESSAGE
A	1453	Wrng	Gen CB Not Open
A	1459	Shtdn	Reverse Power
A	1461	Shtdn	Loss Of Field
C	1466	Wrng	Modem Failure
C	1468	Wrng	Network Error
A	1469	Shtdn	Speed/Hz Match
B	1471	Wrng	Over Current
A	1472	Shtdn	Over Current
E	2323– 2326	Shtdn/ Wrng/ None	Network Fault 5 thru 8
B	2327	Wrng	PTC Fault
E	2329	Wrng	Low S1 Frequency
E	2331	Wrng	Low S1 Voltage
A	2335	Shtdn	Excitation Fault
A	2336	Shtdn	Memory Error
C	2337	Wrng	Pwr Tran Disabled
C	2338	Wrng	Pwr Tran Failure
E	2339	Wrng	Pwr Down Enabled
B	2341	Wrng	High Control Temp
E	2342	Wrng	Too Long In Idle (10 min.)
E	2358	Wrng	High S1 Voltage
E	2396	Wrng	S1 CB Not Close
E	2397	Wrng	S1 CB Not Open
C	2966	Wrng	PTC Timeout
C	2967	Wrng	Governor Fault
C	2968	Wrng	AVR Fault
C	2969	Wrng	LON Failure
A	2972	Shtdn	Field Overload

⚠ WARNING Hazards present in troubleshooting can cause equipment damage, severe personal injury or death. Only trained and experienced service personnel with knowledge of fuels, electricity, and machinery hazards should perform service procedures. Read Safety Precautions page and observe all instructions and precautions in this manual.

TABLE 4-2. WARNING AND SHUTDOWN CODES

FAULT CODE	CORRECTIVE ACTION
143 PRE-LOW OIL PRES Lamp: Warning	Indicates engine oil pressure has dropped to an unacceptable level. If generator is powering critical loads and cannot be shut down, wait until next shutdown period and then follow code 415 procedure.
146 PRE-HIGH COOL TMP Lamp: Warning	Indicates engine has begun to overheat (coolant temperature has risen to an unacceptable level. If generator is powering non-critical and critical loads and cannot be shut down, use the following: <ul style="list-style-type: none"> a. Reduce load if possible by turning off non-critical loads. b. Check air inlets and outlets and remove any obstructions to airflow. If engine can be stopped, follow code 151 procedure.
151 HIGH COOLANT TEMP Lamp: Shutdown	Indicates engine has overheated (coolant temperature has risen above the shutdown trip point). Allow engine to cool down completely before proceeding with the following checks: <ul style="list-style-type: none"> a. Check coolant level and replenish if low. Look for possible coolant leakage points and repair if necessary. b. Check for obstructions to cooling airflow and correct as necessary. c. Check fan belt and repair or tighten if necessary. d. Check blower fan and circulation pumps on remote radiator installations. e. Reset control and restart after locating and correcting problem.
197 LOW COOLANT LEVEL Lamp: Warning (Optional)	Indicates engine coolant level has fallen below the warning trip point. If generator is powering critical loads and cannot be shut down, wait until next shutdown period, then follow code 235 procedure. If engine can be stopped, follow code 235 procedure.
235 LOW COOLANT LEVEL Lamp: Shutdown (Optional)	Indicates engine coolant level has fallen below the shutdown trip point. Allow engine to cool down completely before proceeding. <ul style="list-style-type: none"> a. Check coolant level and replenish if low. Look for possible coolant leakage points and repair if necessary. b. Reset control and restart after locating and correcting problem.
359 FAIL TO START Lamp: Shutdown	Indicates possible fuel system problem. (Engine cranks but fails to start) <ul style="list-style-type: none"> a. Open any closed fuel shutoff valve. b. Check for dirty or plugged air filter and replace if necessary (see <i>Maintenance</i> section). c. Gaseous fuel delivery to the set is inadequate. Contact an authorized service center for service. d. Reset the control and restart after correcting the problem.
415 LOW OIL PRESSURE Lamp: Shutdown	Indicates engine oil pressure has dropped below the shutdown trip point. Check oil level, lines and filters. If oil system is OK but oil level is low, replenish. Reset control and restart.

⚠ WARNING Hazards present in troubleshooting can cause equipment damage, severe personal injury or death. Only trained and experienced service personnel with knowledge of fuels, electricity, and machinery hazards should perform service procedures. Read Safety Precautions page and observe all instructions and precautions in this manual.

TABLE 4-2. WARNING AND SHUTDOWN CODES (CONT.)

FAULT CODE	CORRECTIVE ACTION
441 LOW BAT VOLTAGE Lamp: Warning	Indicates battery voltage supply to the control is approaching a low level at which unpredictable operation will occur. <ol style="list-style-type: none"> a. Discharged or defective battery. Check the battery charger fuse. Recharge or replace the battery. b. Poor battery cable connections. Clean the battery cable terminals and tighten all connections. c. Check battery charge voltage float level if applicable (raise float level).
442 HIGH BAT VOLTAGE Lamp: Warning	Indicates battery voltage supply to the control is approaching a high level at which damage to the control can occur. Check float level on battery charger if applicable (lower float level).
1311, 1312, 1317 CUSTOMER INPUT #1 – #3 Lamp: Warning/Shutdown or none for status message.	The nature of the fault is an optional customer selection. Example inputs: Low Fuel Day Tank, Water In Fuel, Ground Fault, Low Starting Hydraulic Pressure, Low Starting Air Pressure, etc. Each of the fault functions can be programmed (using service tool), as follows: <ul style="list-style-type: none"> • Enable/disable input (Default: enable) • Status, Warning or Shutdown (Default: #1–None, #2 and #3–Warning) • Active closed or open (Default: closed [ground]) • Change display name using up to 19 characters (Default: #1– Customer Fault 1, #2–Ground Fault, #3–Low Fuel)
1318 (begin spec J) SERVICE ENGINE FAULT Lamp: Warning	Indicates that emissions criteria might not be met due to one of the following: <ul style="list-style-type: none"> Engine running in open loop, Lean mixture Rich mixture Failed fuel system component
1417 POWER DOWN ERROR Lamp: Warning	Indicates that the controller can not power down because of some unknown condition. Possible drain on battery. Contact an authorized service center for service.
1433 EMERGENCY STOP Lamp: Shutdown	Indicates local Emergency Stop. To reset the local/remote Emergency Stop button: <ol style="list-style-type: none"> 8. Pull the button out. 9. Move the O/Manual/Auto switch to O. 10. Press the front panel Fault Acknowledge/Reset button. 11. Select Manual or Auto, as required.
1434 REMOTE E-STOP Lamp: Shutdown	Indicates remote Emergency Stop. See code 1433 to reset.

⚠ WARNING Hazards present in troubleshooting can cause equipment damage, severe personal injury or death. Only trained and experienced service personnel with knowledge of fuels, electricity, and machinery hazards should perform service procedures. Read Safety Precautions page and observe all instructions and precautions in this manual.

TABLE 4-2. WARNING AND SHUTDOWN CODES (CONT.)

FAULT CODE	CORRECTIVE ACTION
<p>1435 LOW COOLANT TEMP Lamp: Warning</p> <p>Set is not operating. Warning occurs when engine coolant temperature is 70° F (21° C) or lower. NOTE: In applications where the ambient temperature falls below 40° F (4° C), Low Coolant Temp may be indicated even though the coolant heaters are operating.</p>	<p>Indicates engine coolant heater is not operating or is not circulating coolant. Check for the following conditions:</p> <ul style="list-style-type: none"> a. Coolant heater not connected to power supply. Check for blown fuse or disconnected heater cord and correct as required. b. Check for low coolant level and replenish if required. Look for possible coolant leakage points and repair as required.
<p>1438 FAIL TO CRANK Lamp: Shutdown</p>	<p>Indicates possible fault with control, speed sensing or starting system. See code 441 for corrective action.</p>
<p>1442 WEAK BATTERY Lamp: Warning</p>	<p>Indicates that during cranking, the battery voltage is at or below the weak battery warning trip point for a time greater than or equal to the weak battery set time. See code 441 for corrective action.</p>
<p>1443 BATTERY FAILED Lamp: Shutdown</p>	<p>Dead battery – engine will not start. See code 441 for corrective action.</p>
<p>1448 UNDER FREQUENCY Lamp: Shutdown</p>	<p>Indicates possible fuel system problem or overload condition.</p> <ul style="list-style-type: none"> a. Check for dirty or plugged air filter and replace if necessary (see <i>Maintenance</i> section). b. Check operation by disconnecting load and restarting generator set. c. Fuel system requires adjustment. Contact an authorized service center for service. d. Gaseous fuel delivery to the set is inadequate. Contact an authorized service center for service. e. Reset the control and restart after correcting the problem.
<p>2342 TOO LONG IN IDLE Lamp: Warning</p>	<p>Indicates genset has been in Idle mode too long (10 minutes maximum).</p>

5. Maintenance

GENERAL

Establish and adhere to a definite schedule for maintenance and service based on the application and severity of the environment. Table 5-1 covers the recommended service intervals for a generator set on STANDBY service. If the set will be subjected to extreme operating conditions, the service intervals should be reduced accordingly. Some of the factors that can affect the maintenance schedule are the following:

- Use for continuous duty (prime power)
- Extremes in ambient temperature
- Exposure to weather

- Exposure to salt water
- Exposure to dust, sand or other airborne contaminants.

Consult with your local Cummins Power Generation distributor if the generator set will be subjected to any extreme operating conditions and determine a suitable schedule of maintenance. Use the running time meter to keep an accurate log of all service performed for warranty support. Perform all service at the time period indicated or after the number of operating hours indicated, whichever comes first. Use Table 5-1 to determine the maintenance required and then refer to the sections that follow for the correct service procedures.



**TABLE 5-1. PERIODIC MAINTENANCE SCHEDULE FOR
STANDBY POWER GENSETS**

MAINTENANCE ITEMS	SERVICE TIME					
	Daily or after 8 Hours	Monthly or after 100 Hours	After 100 Hours	6 Months or after 250 Hours	Yearly or after 500 Hours	2 Years or after 1,000 Hours
General set inspection	X ¹					
Check engine oil level	X					
Check coolant level	X					
Check coolant heater(s)	X					
Check air cleaner (normal duty filter)		X ^{2,3}				
Check all hardware (fittings, clamps, fasteners, etc.)		X				
Check battery electrolyte level		X				
Check generator air outlet		X				
Change engine oil and filter (normal duty filter)			X ^{2,9}			
Check radiator hoses for wear and cracks				X ⁴		
Inspect exterior of radiator for obstructions				X		
Inspect engine coolant port caps				X ¹⁰		
Check drive belt				X ⁵		
Check AC generator and controls				X		
Check anti-freeze concentration					X	
Inspect spark plugs					X ⁶	
Inspect or replace oxygen sensor					X ^{7,11}	
Test catalytic converter restriction					X ^{7,8}	
Drain and flush radiator						X

- X¹ - Check for oil, fuel, cooling and exhaust system leaks. Check exhaust system audibly and visually with set running and repair any leaks immediately.
- X² - Perform more often in extremely dusty conditions.
- X³ - Replace element after 500 hours.
- X⁴ - Replace if hard or brittle.
- X⁵ - Visually check belt for evidence of wear or slippage. Replace if hard or brittle.
- X⁶ - Replace every 1,000 hours.
- X⁷ - Must be performed by a qualified mechanic. Contact your authorized service center.
- X⁸ - Replace every 8 years or 2000 hours.
- X⁹ - Perform at least once a year.
- X¹⁰ - Replace after 4 years or 1000 hours.
- X¹¹ - Replace every 1,500 hours (recommended).



**TABLE 5-2. PERIODIC MAINTENANCE SCHEDULE FOR
PRIME POWER GENSETS**

MAINTENANCE ITEMS	SERVICE TIME				
	24 Hours	100 Hours	250 Hours	500 Hours	1000 Hours
General set inspection	X ¹				
Check engine oil level	X				
Check coolant level	X				
Check coolant heater(s)	X				
Check air cleaner (heavy duty filter)		X ^{2,3}			
Check all hardware (fittings, clamps, fasteners, etc.)			X		
Check battery electrolyte level			X		
Check generator air outlet			X		
Change engine oil and filter (heavy duty filter)				X ²	
Check radiator hoses for wear and cracks				X ⁴	
Check engine coolant port caps				X ⁹	
Inspect exterior of radiator for obstructions				X	
Check drive belt				X ⁵	
Check AC generator and controls				X	
Check anti-freeze concentration				X	
Drain and flush radiator					X ⁶
Inspect spark plugs					X ⁷
Inspect or replace oxygen sensor					X ^{7,8}

X¹ - Check for oil, fuel, cooling and exhaust system leaks. Check exhaust system audibly and visually with set running and repair any leaks immediately.

X² - Perform more often in extremely dusty conditions.

X³ - Replace element every 2000 hours.

X⁴ - Replace if hard or brittle.

X⁵ - Visually check belt for evidence of wear or slippage. Replace if hard or brittle.

X⁶ - Drain and flush radiator every 2 years or 1,000 hours.

X⁷ - Replace every 2,000 hours.

X⁸ - Must be performed by a qualified mechanic. Contact your authorized service center.

X⁹ - Replace after 4 years or 1000 hours.



GENERATOR SET INSPECTION

During operation, be alert for mechanical problems that could create unsafe or hazardous conditions. The following sections cover several areas that should be frequently inspected for continued safe operation.

Exhaust System

With the generator set operating, inspect the entire exhaust system visually and audibly, including the exhaust manifold, muffler, and exhaust pipe. Check for leaks at all connections, welds, gaskets, and joints and also make sure that exhaust pipes are not heating surrounding areas excessively. If any leaks are detected, shut down the generator set and have leaks corrected immediately.

⚠WARNING *Inhalation of exhaust gases can result in severe personal injury or death. Be sure deadly exhaust gas is piped outside and away from any windows, doors, vents or other inlets to building and not allowed to accumulate in inhabitable areas.*

Fuel System

With the generator set operating, inspect the fuel supply lines, filters, and fittings for leaks. Check any flexible sections for cuts, cracks and abrasions and make sure they are not rubbing against anything that could cause breakage. If any leaks are detected, shut off fuel supply valves, shut down generator set and have them corrected immediately.

⚠WARNING *Ignition of fuel can cause severe personal injury or death by fire or explosion. Do not permit any flame, cigarette, arcing switch or equipment, pilot light, or other igniter near the fuel system or in areas sharing ventilation.*

AC Electric System

Check the following while the generator set is operating.

Frequency Meter: The generator frequency should be stable and the reading should be the same as the nameplate rating.

AC Voltmeter: Turn the phase selector switch to each line-to-line phase selection shown on the volts

scale (L1-L2, L2-L3, and L3-L1). Read the AC voltmeter using the upper or lower scale as indicated by the scale indicator light. At no load, the line-to-line voltage(s) should be the same as the set nameplate rating.

AC Ammeter: Turn the phase selector switch to each phase selection shown on the amps scale (L1, L2 and L3). Read the ammeter using the upper or lower scale as indicated by the scale indicator light. At no load, the current readings should be zero. With a load applied, each line current should be about the same.

Fault Lamps: Push the Reset/Lamp switch on the control panel. All indicator lamps should light. Confirm that all of the bulbs are on, then release the switch. Have any bulbs that are burned out replaced.

DC Electrical System

Check the terminals on the batteries for clean and tight connections. Loose or corroded connections create resistance which can hinder starting. Refer to *BATTERIES* later in this section for cleaning and safety precautions.

Engine

Monitor fluid levels and oil pressure and coolant temperatures frequently. Most engine problems give an early warning. Look and listen for changes in engine performance, sound, or appearance that can indicate service or repair is needed. Some engine changes to look for are as follows:

- Misfire
- Vibration
- Unusual noises
- Sudden changes in engine operating temperatures or pressures
- Excessive exhaust smoke
- Loss of power
- An increase in oil consumption
- An increase in fuel consumption
- Fuel, oil, or coolant leaks.

GENERATOR SET MAINTENANCE (Battery Disconnected)

⚠ WARNING *Ignition of explosive battery gases can cause severe personal injury or death. Arcing at battery terminals, light switch or other equipment, flame, pilot lights and sparks can ignite battery gas. Do not smoke, or switch trouble light ON or OFF near battery. Discharge static electricity from body before touching batteries by first touching a grounded metal surface.*

Ventilate battery area before working on or near battery—Wear goggles—Stop genset and disconnect charger before disconnecting battery cables—Disconnect negative (-) cable first and reconnect last.

⚠ CAUTION *Disconnect battery charger from AC source before disconnecting battery cables. Otherwise, disconnecting cables can result in voltage spikes damaging to DC control circuits of the set.*

⚠ WARNING *Accidental starting of the generator set can cause severe personal injury or death. Prevent accidental starting by disconnecting the negative (-) cable from the battery terminal before beginning maintenance procedures.*

When performing the following maintenance procedures, make certain the generator set cannot be accidentally restarted as follows:

1. Place the run switch on the control panel to the OFF or STOP position.
2. Turn off or remove AC power from the battery charger.
3. Remove the negative (-) battery cable from the generator set starting battery.

Mechanical Inspection

With the generator set stopped, check for loose belts and fittings, leaking gaskets and hoses, or any signs of mechanical damage. If any problems are found, have them corrected immediately.

ENGINE COOLANT CAPS

The engine contains caps that are used to cover unused coolant ports. These caps should be checked at the intervals specified in the Maintenance Table. If a cap is visibly cracked, brittle, or shows any signs of fatigue, it should be replaced.

Table 5-3 provides the cap location and the Ford part number. The caps can be purchased through your local Ford Power Products distributor.

TABLE 5-3. ENGINE PORT CAPS

Ford Engine WSG-1068, V10	
Part Number	Description
F8JL-8A500-BA	3/4" cap, front tube (if used)
F8JL-8A500-AA	5/8" cap, rear tube



LUBRICATION SYSTEM

Before the initial start, check dipstick to be sure crankcase is filled with oil. See *Specifications* section for lubricating oil capacity.

Gensets are shipped with oil added. Be sure to check oil level before initial start.

Oil Recommendations

Refer to Figure 5-1 for the recommended oil viscosity grades at various ambient temperatures. Oils must conform to the American Petroleum Institute (API) classification SJ, SH or SL. When selecting the oil viscosity, pick the grade that is right for the lowest temperature expected. Oil that is too thick can result in a lack of lubrication when the engine is started. If the ambient temperature is consistently below -13°F (-25°C), use a SAE5W synthetic oil.

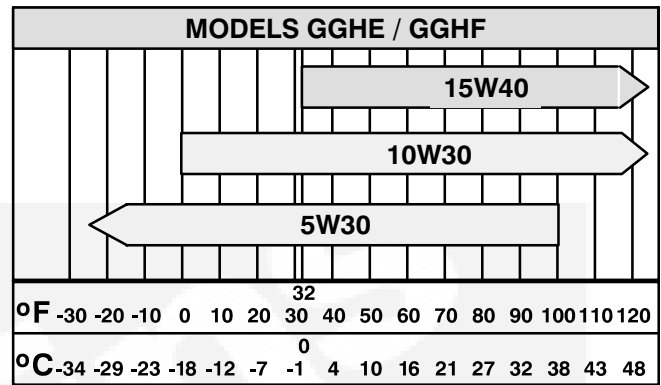


FIGURE 5-1. OIL VISCOSITY

Engine Oil Level

Check the engine oil level during engine shutdown periods at the intervals specified in the Maintenance Table. The dipstick is stamped with FULL and ADD to indicate the level of oil in the crankcase. For accurate readings, shut off the engine and wait approximately 10 minutes before checking the engine oil level. This allows oil in the upper portion of the engine to drain back into the crankcase.

⚠ WARNING *Crankcase pressure can blow out hot oil and cause severe burns. Do NOT check oil while the generator set is operating.*

Keep the oil level as near as possible to the FULL mark on the dipstick. Remove the oil fill cap and add oil of the same quality and brand when necessary.

⚠ CAUTION *Do not operate the engine with the oil level below the ADD mark or above the FULL mark. Overfilling can cause foaming or aeration of the oil. Operation below the ADD mark can cause loss of oil pressure.*

Engine Oil Change

⚠ WARNING *State or federal agencies have determined that contact with used engine oil can cause cancer or reproductive toxicity. Do not contact oil or breath vapors. Use rubber gloves and wash exposed skin.*

Used oil and filters must be disposed of properly to avoid environmental damage and clean-up liability. Check all federal, state and local regulations for disposal requirements.

Run engine until thoroughly warm before draining oil. Stop the set, place a pan under the drain outlet and remove the oil drain plug or open the drain valve. After the oil is completely drained, replace the drain plug or close the drain valve. Refill with oil of the correct API viscosity grade for the temperature conditions.

⚠ WARNING *Hot crankcase oil can cause burns if it is spilled or splashed on skin. Keep fingers and hands clear when removing the oil drain plug and wear protective clothing.*

Oil Filter Change

Spin off oil filter and discard it in accordance with local environmental regulations. Thoroughly clean filter mounting surface. Apply a thin film of oil to filter gasket and install new element. Spin element on by hand until gasket just touches mounting pad and then turn an additional 1/2 to 3/4 turn. Do not over-tighten (Figure 5-3).

Fill the oil filter with clean lubricating oil. To fill, pour the oil into the center hold of the filter. With oil in crankcase, start engine and check for leaks around filter element. Retighten only as much as necessary to eliminate leaks but do not over-tighten.

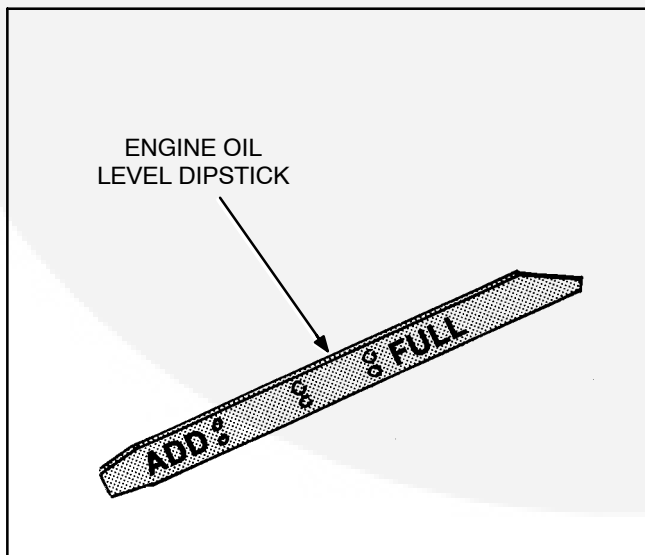


FIGURE 5-2. OIL LEVEL DIPSTICK

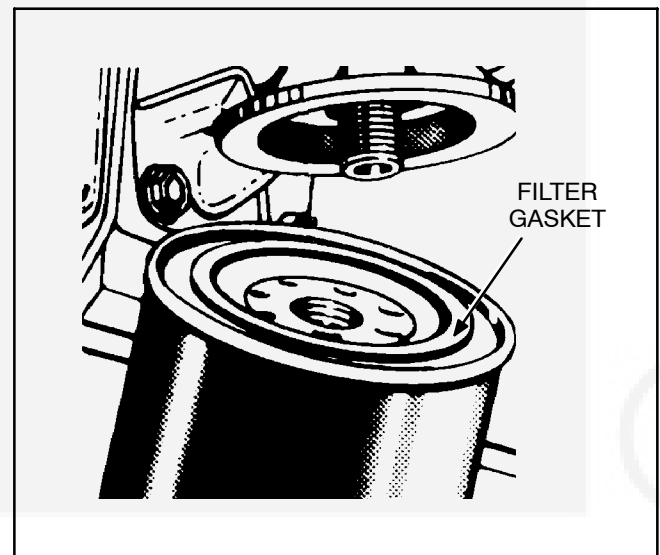


FIGURE 5-3. ENGINE OIL FILTER

COOLING SYSTEM

The cooling system capacity of a standard unit with set mounted radiator is shown in Specifications section.

Gensets are shipped with coolant added. Be sure to check coolant level before initial start.

Coolant Requirements

Satisfactory engine coolant inhibits corrosion and if necessary protects against freezing. Use a 50/50 coolant solution (50% pure water and 50% antifreeze). If temperatures below -37°F (-38°C) are possible, use a mixture of 65% antifreeze and 35% water. Do not use an antifreeze that contains anti-leak additives.

The water used for engine coolant should be clean, low in mineral content and free of any corrosive chemicals such as chloride, sulfate or acid. Use soft water. Well water often contains lime and other materials which eventually can clog the radiator core and reduce the cooling efficiency and can also cause heater element failure.

Filling the Cooling System

CAUTION *The engine can overheat and be damaged if coolant is filled improperly.*

Check to make sure that all drain cocks are closed and all hose clamps secure. Remove the engine coolant vent cap (Figure 5-4). Remove the radiator pressure cap and slowly fill the cooling system with

the recommended coolant. When coolant begins to flow from the engine coolant vent, install vent cap and continue filling the radiator.

CAUTION *Do not add cold coolant to a hot engine. Engine castings can be damaged. Allow the engine to cool to below 120°F (50°C) before adding coolant.*

When the engine is first started, remove the pressure cap and monitor the coolant level. As trapped air is expelled from the system, the coolant level may drop and additional coolant must be added. Replace the pressure cap when the coolant level is stable.

Coolant Level

Check the coolant level during shutdown periods at the intervals shown in Table 5-1. Remove the radiator cap after allowing the engine to cool and if necessary, add coolant until the level is near the top of the radiator.

WARNING *To prevent severe scalding, let engine cool down before removing coolant pressure cap. Turn cap slowly, and do not open it fully until the pressure has been relieved.*

CAUTION *Loss of coolant can allow engine to overheat without protection of shutdown device and cause severe damage to the engine. Maintain coolant level for proper operation of the high engine temperature shutdown system.*

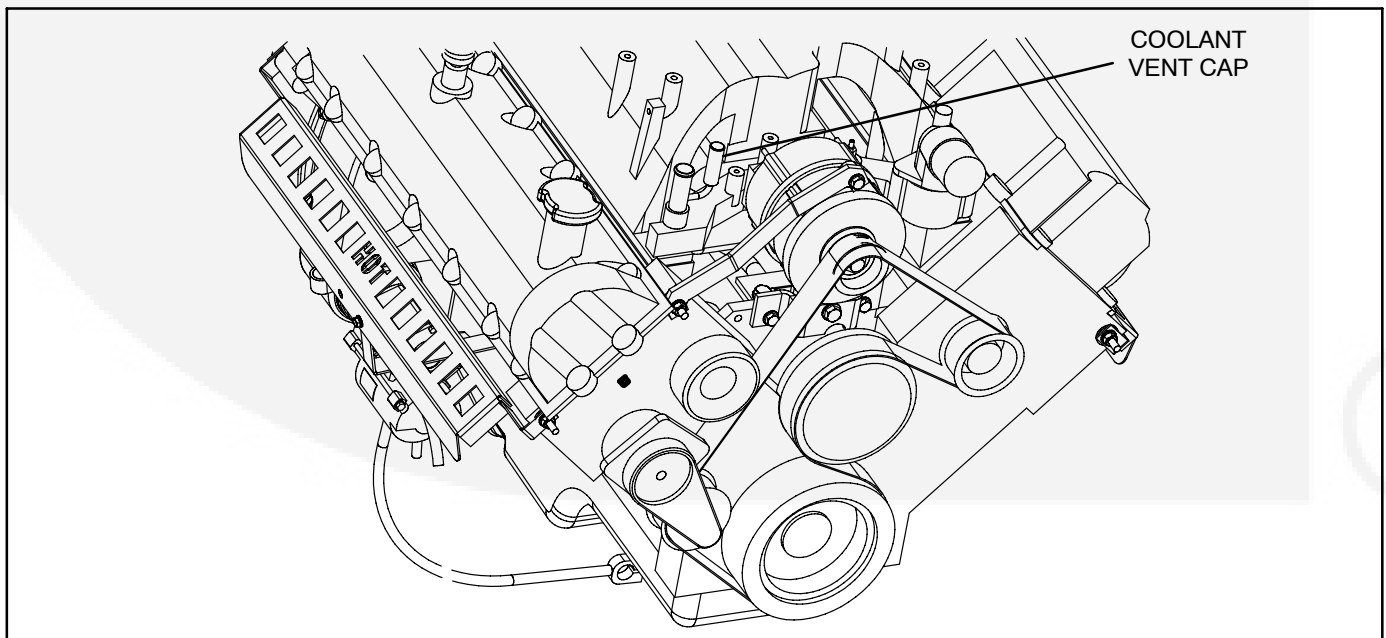


FIGURE 5-4. COOLANT FILL VENT CAP LOCATION

Draining and Flushing

⚠ WARNING *Some coolant is toxic. Keep away from children and animals. Follow local environmental regulations for disposal.*

To maintain adequate corrosion protection and remove rust and scale deposits, drain and flush radiator at the recommended interval.

⚠ CAUTION *The heater element will burn out if engine coolant is removed with heater connected to power source.*

Disconnect engine coolant heater from power source (if equipped).

Allow the engine to cool and then remove radiator pressure cap. Open the radiator drain cock and remove the water drain plugs (one on each side of engine). When the coolant is drained, place the end of a water hose into the radiator filler and turn on water supply. Regulate the flow of water into the radiator until it is equal to the outflow from drain openings. Continue flushing until outflow from drains is clear of rust sediment.

If engine is equipped with engine coolant heater, drain coolant by removing hose and clamp from bottom of heater.

Replace the water drain plugs and close the radiator drain cock when flushing is complete. Refill the cooling system with the recommended coolant (refer to *Filling the Cooling System*).

With cooling system properly filled and the engine has been run, connect heater plug to receptacle.

⚠ CAUTION *The heater element will burn out if power is connected before it is filled with coolant or if straight antifreeze solution is used for coolant. Before connecting power, fill the engine with coolant and run it for a while to circulate coolant through the heater.*

Radiator

Inspect the exterior of the radiator for obstructions. Remove all dirt or foreign material with a soft brush or cloth. Use care to avoid damaging the fins. If available, use low pressure compressed air or stream of water (maximum of 35 psi/242 kPa), in opposite direction of normal air flow to clean radiator. If using water, protect the engine and the generator from over spray.

Coolant Heater

Check the operation of the coolant heater by verifying that hot coolant is being discharged from the outlet hose. **Do not touch outlet hose** – if heater is operational, radiant heat should be felt with hand held close to outlet hose.

⚠ WARNING *Contact with cooling system or engine can result in serious burns. Do not touch cooling system or engine during genset maintenance until they are cool.*

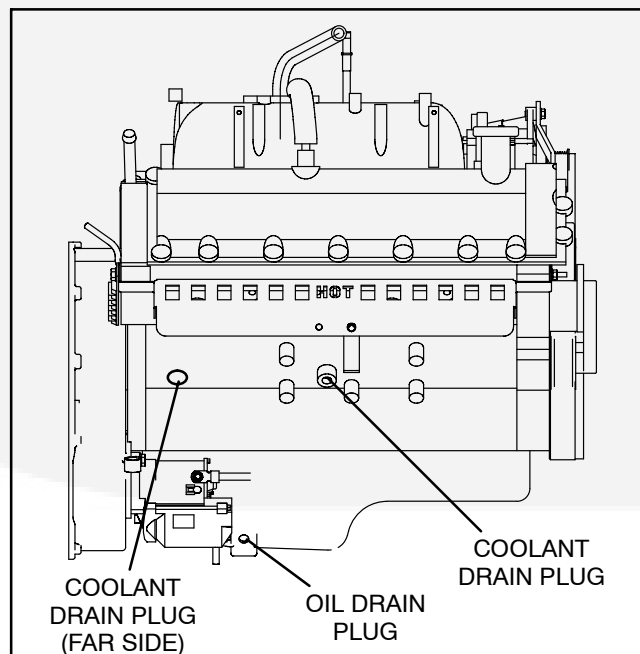


FIGURE 5-5. DRAIN PLUG LOCATIONS

AIR FILTER

⚠ CAUTION *Filters should be handled with care to prevent damage. If the filter does become damaged, install recommended replacement part.*

Remove wing nut in center of filter cover. Remove cover and filter. Tap filter on a flat surface to remove dirt. Place a light source inside filter and inspect for air passage. If necessary, apply a low pressure air source (30 psi) to the inside of filter to remove as much dirt as possible. Inspect interior housing. Vacuum clean if dirty or remove housing and wipe clean.

⚠ CAUTION *Do not clean filter housing while still installed. Loose dirt entering intake could damage carburetor or engine.*

Clean air filter every 100 hours of operational time, more often in extremely dusty conditions. Replace air filter after 500 hours of operational time.

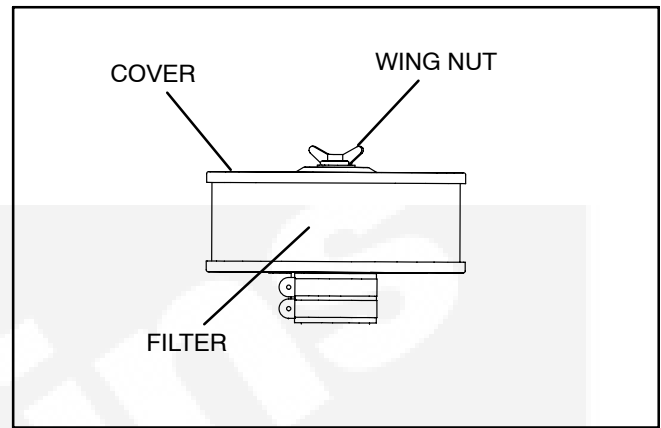


FIGURE 5-6. AIR CLEANER (NATURALLY ASPIRATED FUEL SYSTEM)



SERPENTINE BELT REPLACEMENT

Belt Removal

1. Disconnect the negative (-) cable from the battery to prevent accidental starting.
2. Remove fan guard (between engine and radiator) to gain access to the serpentine belt.
3. Insert a 1/2 inch male square ratchet or breaker bar into tensioner arm (Figure 5-7). With handle of ratchet extended to the right of the tensioner arm, slowly lift up on the ratchet handle until the spring tension is relieved. Remove serpentine belt.

⚠WARNING *The belt idler is under tension. Do not allow your hands to get between the belt and pulley. Personal injury will result.*

Belt Replacement

1. Slip new serpentine belt onto all pulleys except for the water pump/fan drive pulley.

⚠WARNING *The belt idler is under tension. Do not allow your hands to get between the belt and pulley. Personal injury can result.*

2. Insert a 1/2 inch male square ratchet or breaker bar into tensioner arm. With handle of ratchet extended to the right of the tensioner arm, slowly lift up on the ratchet handle until the spring tension is relieved sufficiently to position the belt over the water pump/fan drive pulley. Slowly release spring tension onto belt.

The spring-loaded idler used on this design maintains the correct belt tension.

3. Install fan guard.
4. Connect the negative (-) cable to the battery.
5. Start genset and visually check belt for proper alignment with engine running.

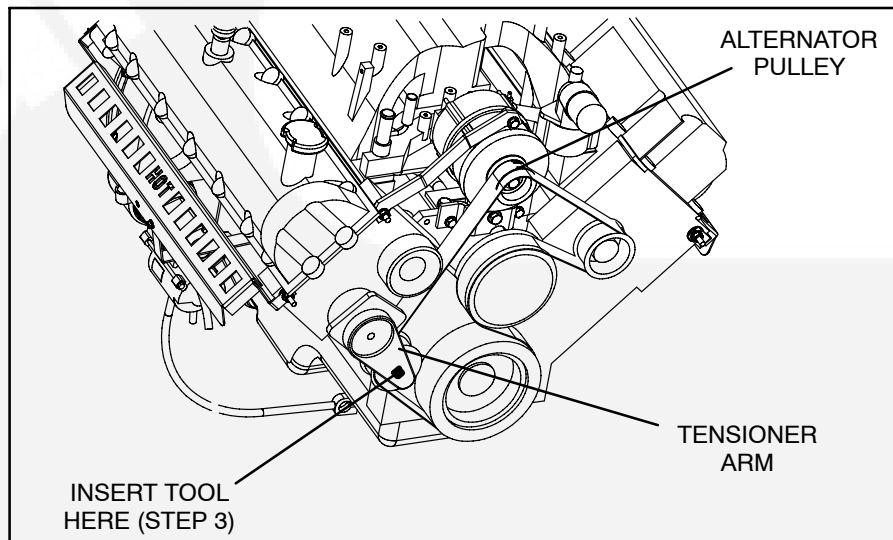


FIGURE 5-7. SERPENTINE BELT REPLACEMENT

IGNITION SYSTEM

The ignition system consists of an electronic solid state digital control module, low tension wire harness, ten individual ignition coils (each mounted at a spark plug) high tension spring leads and iridium tipped long life spark plugs.

Maintenance consists of periodic inspections to detect possible problems and replacement of worn or deteriorated parts. The ignition system must be completely functional or the set may run poorly or be unable to carry full load. Perform the following inspections at recommended intervals.

Spark Plugs

Remove the spark plugs and inspect for damaged or cracked insulators, worn electrodes, or excessive carbon deposits. Replace the spark plug if any of these conditions are noted. Clean those plugs that can be reused and regap (Figure 5-8) to the amount specified in the Specifications section.

Before installing the spark plugs:

- Clean all dirt and grit away from the spark plug seats.

- Lightly lubricate spark plug threads with high temp anti-seize compound (not required for standby power genset spark plugs).

If the spark plugs show any of the following conditions, the engine may require additional service. Contact your authorized service distributor for help.

- Carbon Fouled - Overly Rich Mixture
- Oil Fouled - High oil consumption
- Burned - Excessive engine temperature

High Tension Spring Leads

The high tension spring leads (located between the ignition coil and spark plug) are spring coil jumper wires that are covered with a slip on flexible insulation tube/boot. There should be no breaks or cracks in the insulation.

Ignition Coil

Clean each ignition coil and check for cracks, carbon tracks or corrosion in the high tension terminal hole. Replace the coil if any of these conditions are noted.

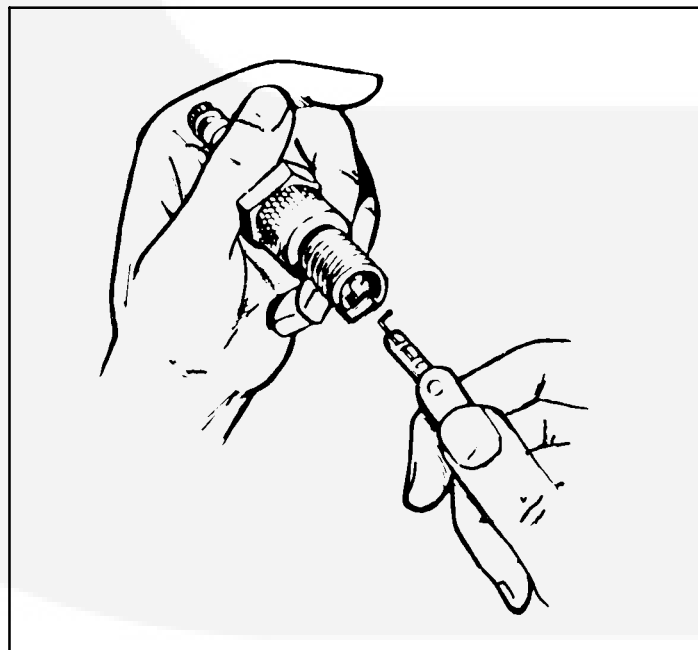


FIGURE 5-8. GAPPING SPARK PLUGS

BATTERIES

⚠ WARNING *Ignition of explosive battery gases can cause severe personal injury or death. Arcing at battery terminals, light switch or other equipment, flame, pilot lights and sparks can ignite battery gas. Do not smoke, or switch trouble light ON or OFF near battery. Discharge static electricity from body before touching batteries by first touching a grounded metal surface.*

Ventilate battery area before working on or near battery—Wear goggles—Stop genset and disconnect charger before disconnecting battery cables—Disconnect negative (-) cable first and reconnect last.

⚠ CAUTION *Disconnect battery charger from AC source before disconnecting battery cables. Otherwise, disconnecting cables can result in voltage spikes damaging to DC control circuits of the set.*

Check the condition of the starting batteries at the interval specified in the Maintenance Table. To prevent dangerous arcing, always disconnect the negative ground cable from the battery before working on any part of the electrical system or the engine. Disregard the sections On Checking Specific Gravity and Checking Electrolyte Level if using a “maintenance-free” battery.

Cleaning Batteries

⚠ WARNING *Electrolyte is a dilute sulfuric acid that is harmful to the skin and eyes. Do not get the substance in your eyes or contact with skin. Wear goggles and protective, rubber gloves and apron when servicing batteries.*

In case of contact, immediately wash skin with soap and water. In case of contact, immediately flood eyes with large amounts of water for a minimum of 15 minutes. IMMEDIATELY CALL A PHYSICIAN.

Keep the batteries clean by wiping them with a damp cloth whenever dirt appears excessive.

If corrosion is present around the terminal connections, remove battery cables and wash the terminals with a solution consisting of 1/4 pound of baking soda added to 1 quart of water. (This solution is also used for washing down spilled electrolyte.)

Be sure the vent plugs are tight to prevent cleaning solution from entering the cells.

After cleaning, flush the outside of the battery and surrounding areas with clean water.

Keep the battery terminals clean and tight. After making connections, coat the terminals with a light application of petroleum jelly or non-conductive grease to retard corrosion.

Checking Specific Gravity

Use a battery hydrometer to check the specific gravity of the electrolyte in each battery cell.

Hold the hydrometer vertical and take the reading. Correct the reading by adding four gravity points (0.004) for every ten degrees the electrolyte temperature is above 80° F (27° C). A fully charged battery will have a corrected specific gravity of 1.260. Charge the battery if the reading is below 1.215.

Checking Electrolyte Level

⚠ CAUTION *Do not add water in freezing weather unless the engine will run long enough (two to three hours) to assure a thorough mixing of water and electrolyte.*

Check the level of the electrolyte (acid and water solution) in the batteries at least every 200 hours of operation.

If necessary, fill the battery cells to the bottom of the filler neck with distilled water and recharge. If one cell is low, check case for leaks. Keep the battery case clean and dry. An accumulation of moisture will lead to a more rapid discharge and battery failure.

Battery Replacement

Always replace the starting battery with the same number and type (vented, lead acid). Properly dispose of battery in accordance with local environmental agency requirements.

⚠WARNING *Electrolyte or explosion of battery can cause severe personal injury or death. Do not mutilate or burn the battery in a fire for disposal.*

Damage to case will release electrolyte which is harmful to the skin and eyes and is also toxic. Burning of battery may cause an explosion.

NiCad Batteries

NiCad (nickel-cadmium) battery systems are often specified where extreme high or low ambient temperature is expected because their performance is less affected by temperature extremes than that of lead-acid batteries.

NiCad batteries require special battery chargers in order to bring them to the full-charge level. These chargers must be provided with filter to reduce “charge ripple” which can disrupt engine and generator control systems.



OUT-OF-SERVICE PROTECTION

When the set will be stored or removed from operation for an extended period of time, take the following precautions to prevent rust accumulation, corrosion of bearing surfaces within the engine and gum formation in the fuel system. Perform the following procedures as outlined in this manual.

Preparing Set for Storage

1. Exercise the set as described in Operation section until the engine is up to operating temperature.
2. Shut down the engine.
3. Turn off and disconnect battery charger (if equipped).
4. Disconnect battery (negative [-] first) and store in a cool, dry place. Connect battery to charger every 30 days to maintain it at full charge.
5. Drain the engine oil while still warm and refill with new oil recommended for set. Attach a tag indicating type of oil used.
6. Remove the spark plugs and pour two ounces of rust preventative oil into each spark plug opening. Crank the set for five seconds to distribute the oil on the cylinder walls and then replace the spark plugs.
7. Disconnect engine coolant heater from power source (if equipped).
8. Drain the cooling system including the engine block.

9. Remove the air cleaner and seal off the carburetor air inlet opening and PVC hose.
10. Plug the exhaust outlets to prevent entrance of moisture, bugs, dirt, etc.
11. Clean and wipe entire unit. Coat parts susceptible to rust with a light coat of oil. Cover entire set loosely after engine has cooled down.

Returning Set to Service

1. Remove protective cover.
2. Remove exhaust plugs, seal from carburetor and PVC hose and replace air cleaner.
3. Check oil dipstick to make sure crankcase is full.
4. Refill cooling system.
5. Reconnect battery (positive [+] cable first) and check specific gravity.
6. Connect the battery charger (if applicable).
7. Connect engine coolant heater to power supply (if applicable).
8. Remove all loads before starting set.
9. Start set and apply load of at least 50% of nameplate rating.
10. Check all gauges for normal readings. Set is now ready for service.





THIS PAGE LEFT INTENTIONALLY BLANK



6. Operating Recommendations

BREAK-IN

Drain and replace the crankcase oil after the first 50 hours of operation on new generator sets. Refer to the *Maintenance* section of this manual for the recommended procedures.

NO-LOAD OPERATION

Periods of no load operation should be held to a minimum. If it is necessary to keep the engine running for long periods of time when no electric output is required, best engine performance will be obtained by connecting a load bank of at least 30 percent of nameplate rating.

EXERCISE PERIOD

Generator sets on continuous standby must be able to go from a cold start to being fully operational in a matter of seconds. This can impose a severe burden on engine parts.

Regular exercising keeps engine parts lubricated, prevents oxidation of electrical contacts and in general helps provide reliable engine starting.

Exercise the generator set at least once a month for a minimum of 30 minutes, under not less than 30 percent of the nameplate rating.

LOW OPERATING TEMPERATURE

Use a coolant heater if a separate source of power is available. The optional heater will help provide reliable starting under adverse weather conditions. Be sure the voltage of the separate power source is correct for the heater element rating.

⚠ CAUTION *To avoid damage to heater, be sure the cooling system is full before applying power to the heater.*

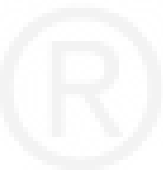
HIGH OPERATING TEMPERATURE

Refer to the genset nameplate for the maximum ambient operating temperature, if applicable.





THIS PAGE LEFT INTENTIONALLY BLANK





Cummins Power Generation

1400 73rd Ave. NE
Minneapolis, MN 55432 USA

Phone 1 763 574 5000

Toll-free 1 800 888 6626

Fax 1 763 574 5298

Email ask.powergen@cummins.com

www.cumminspower.com

Cummins®, the “C” logo, and “Our energy working for you.”
are trademarks of Cummins Inc.

©2009 Cummins Power Generation, Inc. All rights reserved.

