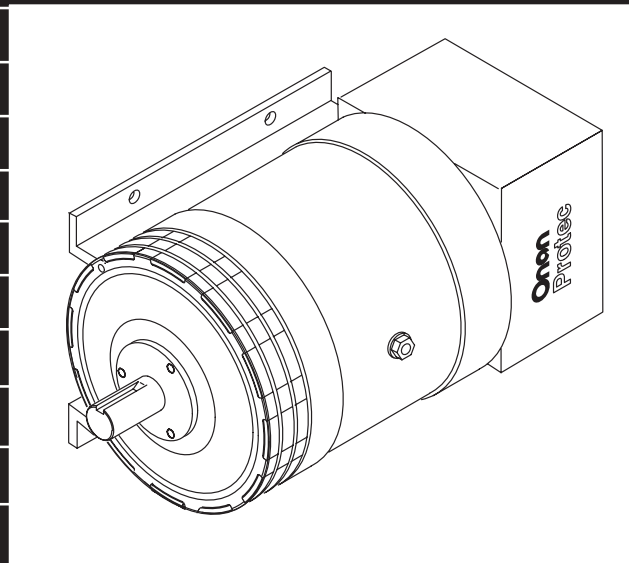




# Commercial Generator Parts Catalog

**PROTEC Series**

**YD**



Printed in U.S.A.

929-0201B  
9-99 (Spec A-C)

Replaces 929-0201 3-95 (Spec A)

## MODEL IDENTIFICATION

To avoid errors or delay in filling your parts order, always give the MODEL, SPEC NO. and SERIAL NO. from the Onan nameplate.

For handy reference, insert your nameplate information in the spaces below.

---

MODEL AND SPEC NO.

---

SERIAL NO.

---

DIGITAL CONTROL SOFTWARE VERSION  
AND DATE (IF APPLICABLE)

## SAFETY PRECAUTIONS

The following symbols are used in Onan manuals to alert users to the potentially dangerous conditions relating to maintenance of equipment and replacement of parts. Please read and observe.



*This symbol warns of immediate hazards which will result in severe personal injury or death.*



*This symbol refers to a hazard or unsafe practice which can result in severe personal injury or death.*



*This symbol refers to a hazard or unsafe practice which can result in severe personal injury or product or property damage.*

## PRODUCT SAFETY PRECAUTIONS



***Service and repair of Onan equipment must be performed by trained, experienced personnel only. Improper service or repair may result in property damage, severe personal injury or death. Do not use this catalog as a guide to servicing your equipment. Read and follow the IMPORTANT SAFETY INSTRUCTIONS in the Service Manual appropriate for the equipment you are working on.***



***Contact with USED ENGINE OILS has been identified by a United States federal agency and some USA state agencies as causing CANCER or REPRODUCTIVE TOXICITY. When checking or changing engine oils take all necessary precautions not to ingest, breathe the fumes or contact the used oil.***



***Contact with ASBESTOS has been identified by a United States federal agency and some USA state agencies as causing CANCER or REPRODUCTIVE TOXICITY. When handling engine gaskets take all necessary precautions not to ingest, breathe or contact the dust from the gaskets! Use adequate ventilation and wear protective gloves, masks and clothing!***



***Contact with BENZINE and LEAD, found in gasoline, fuel additives and solvents has been identified by a United States federal agency and some USA state agencies as causing CANCER or REPRODUCTIVE TOXICITY. When checking, draining or adding gasoline and fuel additives or using solvents take all necessary precautions not to ingest, breathe the fumes or contact the liquids. Use adequate ventilation and wear protective gloves, masks and protective clothing!***

## Introduction

This catalog applies to the AC PTO Generator as listed in the Generator Set Data Table. Parts are arranged in groups of related items and each illustrated part is identified by a reference number corresponding to the same reference number in the parts list. Parts illustrations are typical. Unless otherwise mentioned in the description or the page heading, parts are interchangeable between models. Using the model and specification number from your generator set nameplate, select parts that apply to your set.

### Generator Set Data Table

<u>Model Number</u>	<u>Voltage</u>	<u>Hertz</u>	<u>Phase</u>
15YD-CJ/376A, B	120/240	60	1
15YD-CR/621C		60	1
15YD-CR/622C	Reconnect	60	3
20YD-CJ/376A, B	120/240	60	1
20YD-CR/621C		60	1
20YD-CR/622C	Reconnect	60	3
24YD-CJ/376A, B	120/240	60	1
25YD-CJ/376B	120/240	60	1
25YD-CR/621C		60	1
25YD-CR/622C	Reconnect	60	3
30YD-CJ/376A, B	120/240	60	1
30YD-CR/621C		60	1
32YD-CJ/376B	120/208	60	3
32YD-CR/622C	Reconnect	60	3
35YD-CJ/376A, B	120/240	60	1
35YD-CR/621C		60	1
37YD-CJ/376B	120/208	60	3
37YD-CR/622C	Reconnect	60	3
40YD-CR/622C	Reconnect	60	3
12YD-CJ/376A, B	115/230	50	1
12YD-CR/621C		50	1
12YD-CR/622C	Reconnect	50	3
16YD-CJ/376A, B	115/230	50	1
16YD-CR/621C		50	1
16YD-CR/622C	Reconnect	50	3
20YD-CJ/376A, B	115/230	50	1
20YD-CR/621C		50	1
30YD-CR/622C	Reconnect	50	3
24YD-CJ/376A, B	115/230	50	1
25YD-CR/621C		50	1
25YD-CR/622C	Reconnect	50	3
30YD-CJ/376A, B	115/230	50	1
30YD-CR/621C		50	1
30YD-CR/622C	Reconnect	50	3
31YD-CR/622C	Reconnect	50	3

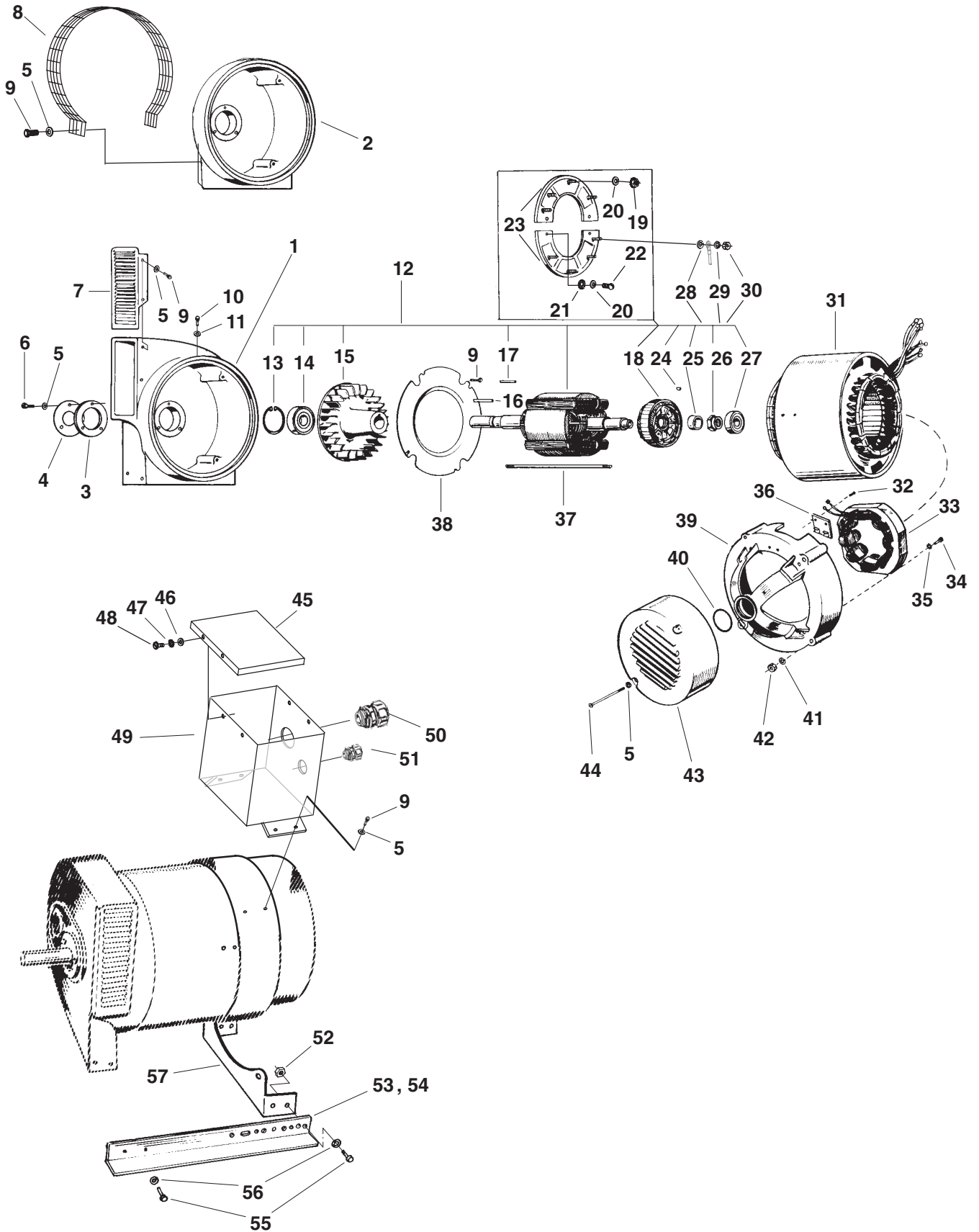
\* – The diagonal line (/) in the model and specification number separates generator set characteristics from the specification number and letter. The specification number denotes customer requested options or deviations from a standard (1A, 1B, etc.) model. The specification letter advances (A to B, B to C, etc.) with major manufacturing changes.



# Index

- Adapter, Generator (Begin Spec C), **9**
- Adapter, Generator (Spec A, B), **5**
  
- Baffle, Air (Begin Spec C), **11**
- Baffle, Air (Spec A, B), **7**
- Bearing, Ball (Begin Spec C), **9**
- Bearing, Ball (Spec A, B), **5**
- Block, Reconnect Box Terminal, **11**
- Block, Switchboard Terminal (20kW, 24kW, 25kW), **17**
- Block, Switchboard Terminal (30kW, 35kW), **19**
- Board, Connection (Begin Spec C), **9**
- Board, Connection (Spec A, B), **5**
- Box, Output (Begin Spec C), **11**
- Box, Output (Spec A, B), **7**
- Box, Switchboard (12kW, 15kW, 16kW), **15**
- Box, Switchboard (20kW, 24kW, 25kW), **17**
- Box, Switchboard (30kW, 35kW), **19**
- Bracket, Circuit Breaker (30kW, 35kW), **19**
- Bracket, Generator Support (Begin Spec C), **11**
- Bracket, Generator Support (Spec A, B), **7**
- Bracket, Panel Stop (20kW, 24kW, 25kW), **17**
- Bracket, Panel Stop (30kW, 35kW), **19**
- Breaker, Regulator Circuit, **13**
- Breaker, Switchboard Circuit (12kW, 15kW, 16kW), **15**
- Breaker, Switchboard Circuit (20kW, 24kW, 25kW), **17**
- Breaker, Switchboard Circuit (30kW, 35kW), **19**
  
- Connector, Output Box Straight, **7**
- Connector, Voltage Regulator Straight, **13**
- Cover, Bearing (Begin Spec C), **9**
- Cover, Bearing (Spec A, B), **5**
- Cover, Endbell (Spec A, B), **7**
- Cover, Endbell Inlet (Begin Spec C), **11**
- Cover, Output Box, **7**
- Cover, Regulator, **13**
  
- Edging, Endbell, **11**
- Endbell (Begin Spec C), **11**
- Endbell (Spec A, B), **7**
  
- Fan, Generator (Begin Spec C), **9**
- Fan, Generator (Spec A, B), **5**
- Foot, Mounting (Begin Spec C), **11**
- Foot, Mounting (Spec A, B), **7**
  
- Gasket, Output Box, **11**
- Generator (Begin Spec C), **9, 11**
- Generator (Spec A, B), **5, 7**
- Grille, Fan (Spec A), **5**
- Guard, Fan (Begin Spec B), **5**
- Guard, Fan (Begin Spec C), **9**
  
- Handle, Control Panel (12kW, 15kW, 16kW), **15**
- Handle, Control Panel (20kW, 24kW, 25kW), **17**
- Handle, Control Panel (30kW, 35kW), **19**
  
- Jumper, Terminal, **13**
- Key (Begin Spec C), **9**
  
- Key (Spec A, B), **5**
  
- Labels, **20**
- Link, Terminal Block Bus, **11**
  
- Meter, AC Amp (12kW, 15kW, 16kW), **15**
- Meter, AC Amp (20kW, 24kW, 25kW), **17**
- Meter, AC Amp (30kW, 35kW), **19**
- Meter, Frequency (12kW, 15kW, 16kW), **15**
- Meter, Frequency (20kW, 24kW, 25kW), **17**
- Meter, Frequency (30kW, 35kW), **19**
- Meter, Time Totalizing (12kW, 15kW, 16kW), **15**
- Meter, Time Totalizing (20kW, 24kW, 25kW), **17**
- Meter, Time Totalizing (30kW, 35kW), **19**
- Meter, Volt (12kW, 15kW, 16kW), **15**
- Meter, Volt (20kW, 24kW, 25kW), **17**
- Meter, Volt (30kW, 35kW), **19**
  
- Panel, Control (12kW, 15kW, 16kW), **15**
- Panel, Control (20kW, 24kW, 25kW), **17**
- Panel, Control (30kW, 35kW), **19**
- Panel, Voltage Regulator, **13**
- Plate, Ground (20kW, 24kW, 25kW), **17**
- Plate, Ground (30kW, 35kW), **19**
- Plug, Hole (12kW, 15kW, 16kW), **15**
- Plug, Hole (20kW, 24kW, 25kW), **17**
  
- Reactor, **13**
- Rectifier, Exciter Rotor (Begin Spec C), **9**
- Rectifier, Exciter Rotor (Spec A, B), **5**
- Regulator, **13**
- Retainer, Bearing (Begin Spec C), **9**
- Retainer, Bearing (Spec A, B), **5**
- Ring, External Retainer (Begin Spec C), **9**
- Ring, External Retainer (Spec A, B), **5**
- Rotor, Exciter (Begin Spec C), **9**
- Rotor, Exciter (Spec A, B), **5**
- Rotor, Generator (Begin Spec C), **9**
- Rotor, Generator (Spec A, B), **5**
  
- Seal, O'Ring (Begin Spec C), **11**
- Seal, O'Ring (Spec A, B), **7**
- Spacer, Rotor Bearing (Begin Spec C), **9**
- Spacer, Rotor Bearing (Spec A, B), **5**
- Stator, Exciter (Begin Spec C), **9**
- Stator, Exciter (Spec A, B), **5**
- Stator, Generator (Begin Spec C), **9**
- Stator, Generator (Spec A, B), **5**
- Strip, Terminal, **13**
- Stud, Through (Begin Spec C), **11**
- Stud, Through (Spec A, B), **7**
- Switchboard (12kW, 15kW, 16kW), **15**
- Switchboard (20kW, 24kW, 25kW), **17**
- Switchboard (30kW, 35kW), **19**
  
- Terminal, Tab, **13**
- Transformer, Current (20kW, 24kW), **17**
- Transformer, Current (30kW, 35kW), **19**
- Transformer, Voltage, **13**

# Generator (Spec A, B)



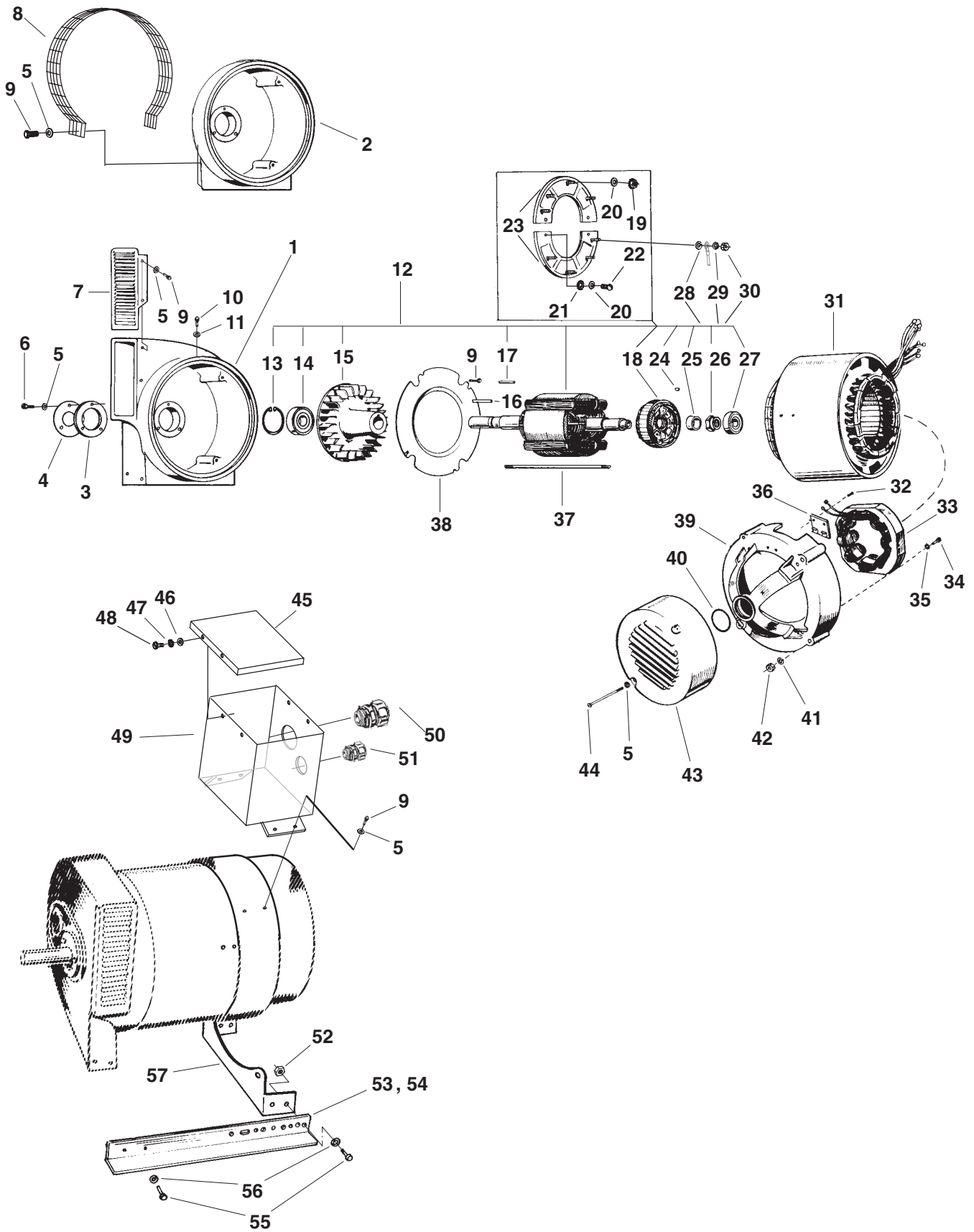
## Generator (Spec A, B)

REF NO.	PART NO.	QTY USED	PART DESCRIPTION	REF NO.	PART NO.	QTY USED	PART DESCRIPTION
1	231-0185	1	Adapter, Generator (Spec A)	19	870-0131	6	+Nut, ET Hex
2	231-0363	1	Adapter, Generator (Spec B)	20	526-0008	10	+Washer, Flat (#10)
3	232-2576	1	Retainer, Bearing	21	853-0008	4	+Washer, ET Lock (#10)
4	232-2453	1	Cover, Bearing	22	813-0100	4	+Screw, Round Head Machine (10-32 x 1/2")
5	526-0399-13	16	Washer, Flat (1/4")				+Rectifier Assy
6	800-0310-07	3	Screw, Hex Head Cap (1/4-20 x 1-1/4")	23			Positive
7	234-0522	1	Grille, Fan (Spec A)		358-0069	1	Negative
8	232-3916	1	Fan Guard (Spec B)		358-0070	1	
9	800-0310-02	11	Screw, Hex Head Cap (1/4-20 x 1/2")	24	515-0094	1	*Key, Woodruff (#6)
10	800-0310-62	1	Screw, Hex Head Cap (1/2-13 x 3/4") (Spec A)	25	232-2398	1	*Spacer, Bearing
11	526-0399-25	1	Washer, Flat (1/2") (Spec A)	26	870-0284	1	*Nut, Nylon Insert Lock (1-1/8-12UNF)
12			Rotor Assy (Includes Parts Marked *)	27	510-0112	1	*Bearing, Ball
			Spec A	28	850-0030	2	*Washer, Lock (#10) (Spec A) (60 Hz - 15/20/24kW Only; 50Hz - 12/16/20kW Only)
			60 Hz	29	526-0008	2	*Washer, Flat (#10)
	201-2338	1	15kW	30	870-0131	2	*Nut, ET Hex (#10-32)
	201-2340	1	20kW	31			Stator
	201-2341	1	24kW				60 Hz
	201-3529-01	1	30kW		220-4454-01	1	15kW
	201-3529-02	1	35kW		220-4454-02	1	20kW
			50 Hz		220-4454-03	1	24kW, 25kW
	201-2338	1	12kW		220-4454-04	1	30kW
	201-2340	1	16kW		220-4501-04	1	32kW (3 Phase)
	201-2341	1	20kW		220-4454-05	1	35kW
	201-3529-01	1	24kW		220-4501-05	1	37kW (3 Phase)
	201-3529-02	1	30kW				50 Hz
			Spec B		220-4454-01	1	12kW
			60 Hz		220-4454-02	1	16kW
	201-3543-01	1	15kW		220-4454-03	1	20kW
	201-3543-02	1	20kW		220-4454-04	1	24kW
	201-3543-03	1	24kW, 25kW	32	815-0194	2	Screw, ET Hex Head Thread Cutting (#10-32 x 3/8")
	201-3543-04	1	30kW, 32kW	33			Stator, Exciter
	201-3543-05	1	35kW, 37kW				60 Hz
			50 Hz		220-2308	1	15kW, 20kW, 24kW, 25kW
	201-3543-01	1	12kW		220-2309	1	30kW, 32kW, 35kW, 37kW
	201-3543-02	1	16kW				50 Hz
	201-3543-03	1	20kW		220-2308	1	12kW, 16kW, 20kW
	201-3543-04	1	24kW		220-2309	1	24kW, 30kW
	201-3543-05	1	30kW	34			Screw, Slotted Head
13	518-0333	1	*Ring, External Retainer				Countersunk (1/4-20)
14	510-0115	1	*Bearing, Ball (With Snap Ring)				60Hz
15			*Fan, Generator				15kW, 20kW, 24kW, 25kW
	205-0114	1	Spec A		802-0038	4	30kW, 32kW, 35kW, 37kW
	205-0247	1	Spec B		802-0040-01	4	50 Hz
16	515-0212	1	Key, Machined				12kW, 16kW, 20kW
17	515-0051	1	*Key, Machined		802-0038	4	24kW, 30kW
18			*Rotor, Exciter (Includes Parts Marked +)		802-0040-01	4	Washer, Lock (1/4")
			60 Hz	35	850-0114-05	4	Board, Connection
	201-2151	1	15kW, 20kW, 24kW, 25kW	36	232-2418	1	
	201-2152	1	30kW, 35kW				
			50 Hz				
	201-2151	1	12kW, 16kW, 20kW				
	201-2152	1	24kW, 30kW				

\* - Parts Included in Generator Rotor.

+ - Parts Included with Exciter Rotor.

# Generator (Spec A, B)

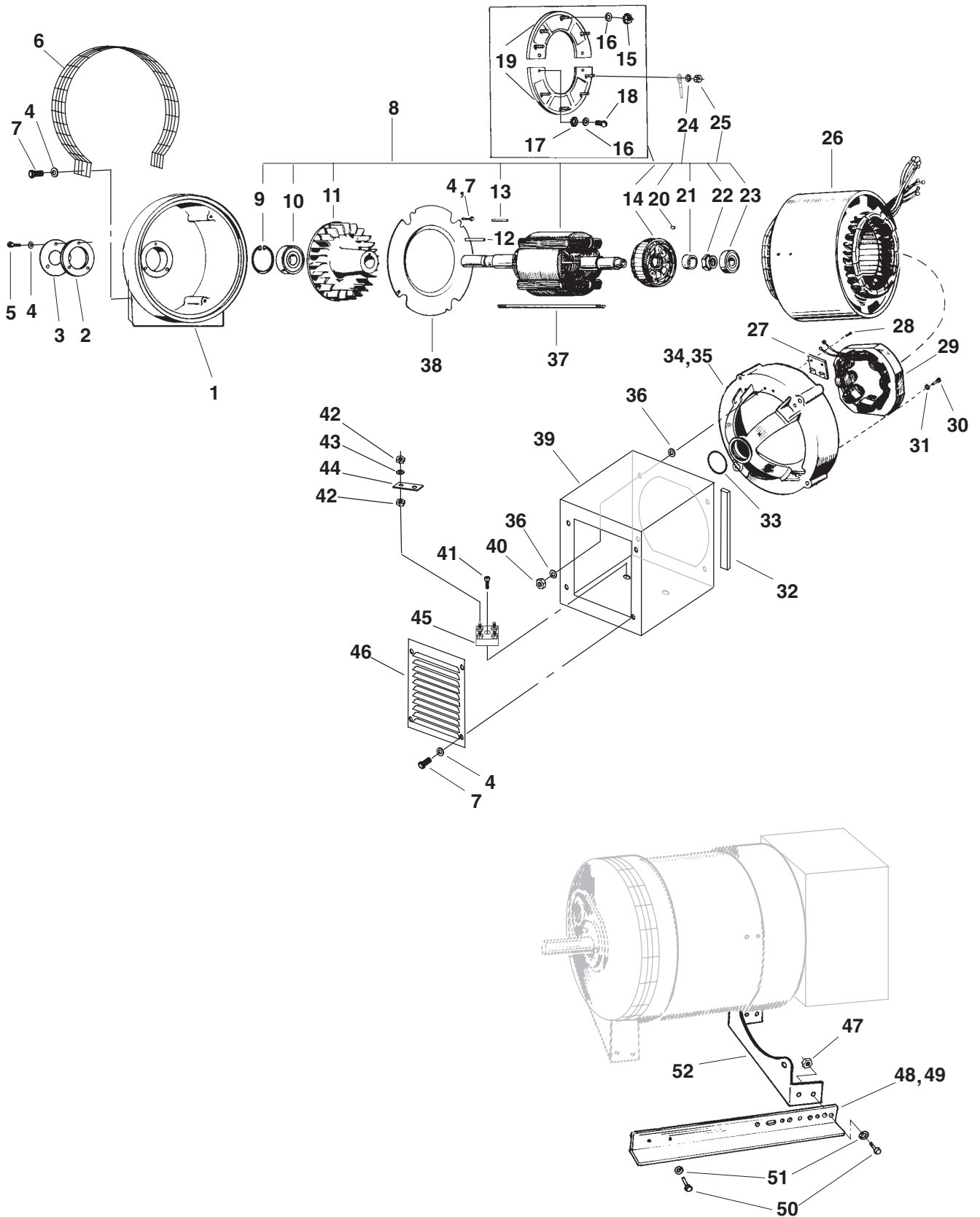




## Generator (Spec A, B)

REF NO.	PART NO.	QTY USED	PART DESCRIPTION	REF NO.	PART NO.	QTY USED	PART DESCRIPTION
37			Stud, Through	49	319-2502	1	Box, Output
			60 Hz	50	331-0551	1	Connector, Straight (1-1/4")
	520-0797	4	15kW	51	331-0115	1	Connector, Straight (1/2")
	520-0799	4	20kW	52	862-0026-08	4	Nut, Hex (7/16-14)
	520-0800	4	24kW, 25kW	53			Foot, Right Mounting
	520-0801	4	30kW, 32kW				60 Hz
	520-0802	4	35kW, 37kW		232-2577	1	15kW, 20kW, 24kW, 25kW
			50 Hz		232-3893	1	30kW, 32kW, 35kW, 37kW
	520-0797	4	12kW				50 Hz
	520-0799	4	16kW		232-2577	1	12kW, 16kW, 20kW
	520-0800	4	20kW		232-3893	1	24kW, 30kW
	520-0801	4	24kW	54			Foot, Left Mounting
	520-0802	4	30kW				60 Hz
38			Baffle, Air		232-2578	1	15kW, 20kW, 24kW, 25kW
	234-0519	1	Spec A		232-3892	1	30kW, 32kW, 35kW, 37kW
	234-0969	1	Spec B				50 Hz
39			Endbell		232-2578	1	12kW, 16kW, 20kW
	211-0470	1	Spec A		232-3892	1	24kW, 30kW
	211-0256-04	1	Spec B	55	800-0310-50	8	Screw, Hex Head Cap
40	509-0094	1	Seal, O'Ring				(7/16-14 x 1")
41	526-0399-42	4	Washer, Flat (3/8")	56	526-0399-43	12	Washer, Flat (7/16")
42	862-0026-07	4	Nut, Hex (3/8-16)	57			Bracket, Generator Support
43	234-0185	1	Cover, Endbell				60 Hz
44	812-0165	2	Screw, Round Head Machine		232-2452	1	15kW, 20kW, 24kW, 25kW
			(1/4-20 x 4-1/2")		232-3900	1	30kW, 32kW, 35kW, 37kW
45	319-2501	1	Cover, Output Box				50 Hz
46	526-0399-11	4	Washer, Flat (#10)		232-2452	1	12kW, 16kW, 20kW
47	853-0040-04	4	Washer, ET (#10)		232-3900	1	24kW, 30kW
48	822-2160-37	4	Screw, Pan Head Slot				
			(#10-32 x 1/2")				

# Generator (Begin Spec C)



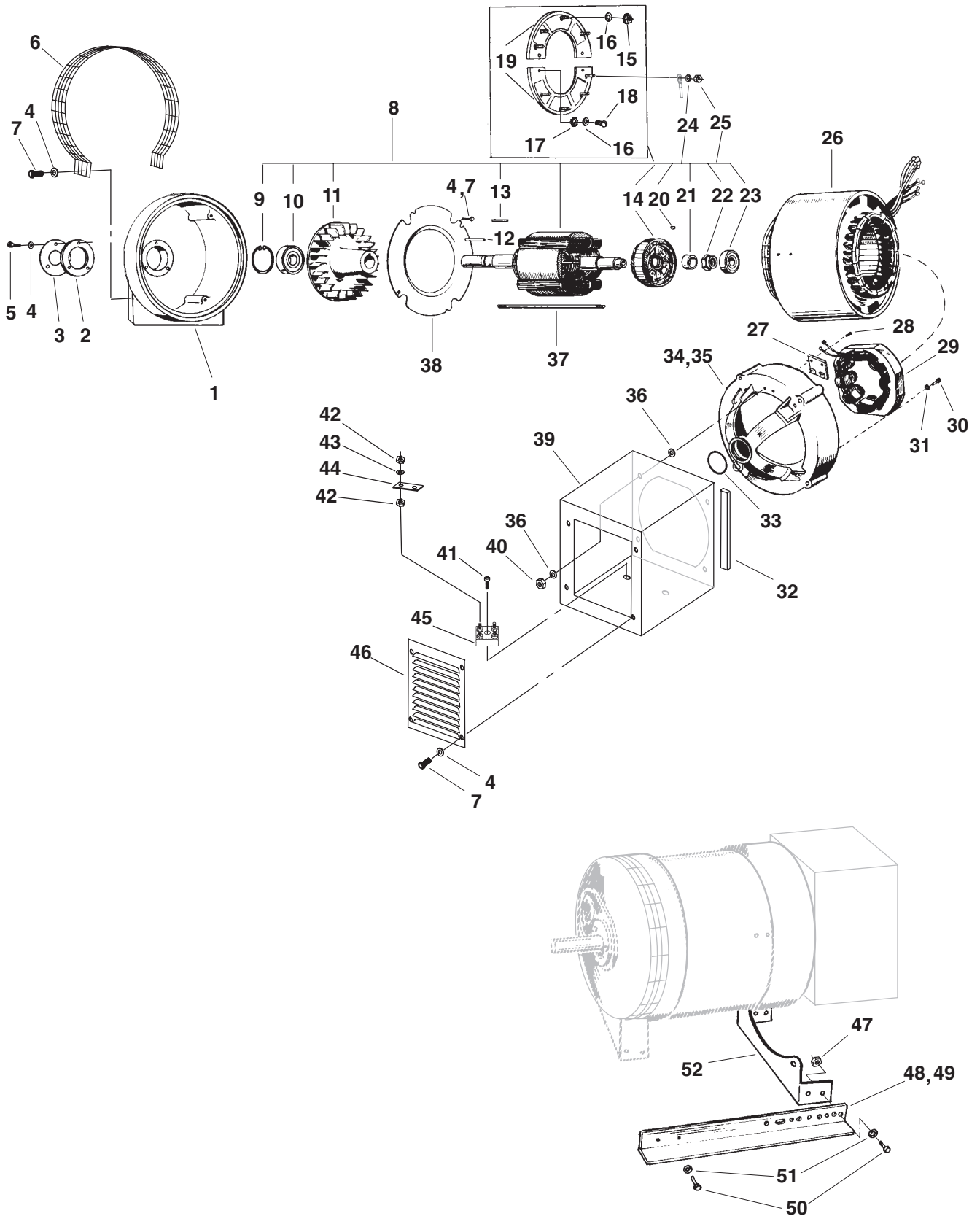
## Generator (Begin Spec C)

REF NO.	PART NO.	QTY USED	PART DESCRIPTION	REF NO.	PART NO.	QTY USED	PART DESCRIPTION
1	231-0363	1	Adapter, Generator	26			Stator
2	232-2576	1	Retainer, Bearing				Single Phase
3	232-2453	1	Cover, Bearing				60 Hz
4	526-0399-13	15	Washer, Flat (1/4")	220-4527-01	1		15kW
5	800-0310-07	3	Screw, Hex Head Cap (1/4-20 x 1-1/4")	220-4527-02	1		20kW
6	232-3916	1	Fan Guard	220-4527-03	1		25kW
7	800-0310-02	12	Screw, Hex Head Cap (1/4-20 x 1/2")	220-4527-04	1		30kW
8			Rotor Assy (Includes Parts Marked *)	220-4527-05	1		35kW
			60 Hz				50 Hz
	201-3543-01	1	15kW	220-4527-01	1		12kW
	201-3543-02	1	20kW	220-4527-02	1		16kW
	201-3543-03	1	25kW	220-4527-03	1		20kW
	201-3543-04	1	30kW, 32kW	220-4527-04	1		25kW
	201-3543-05	1	35kW, 37kW, 40kW	220-4527-05	1		30kW
			50 Hz				Three Phase
	201-3543-01	1	12kW	220-4528-01	1		60 Hz
	201-3543-02	1	16kW	220-4528-02	1		15kW
	201-3543-03	1	20kW	220-4528-03	1		20kW
	201-3543-04	1	25kW	220-4528-04	1		32kW
	201-3543-05	1	30kW, 31kW	220-4528-05	1		37kW, 40kW
							50 Hz
9	518-0333	1	*Ring, External Retainer	220-4528-01	1		12kW
10	510-0115	1	*Bearing, Ball (With Snap Ring)	220-4528-02	1		16kW
11	205-0247	1	*Fan, Generator	220-4528-03	1		20kW
12	515-0212	1	Key, Machined	220-4528-04	1		25kW
13	515-0051	1	*Key, Machined	220-4528-05	1		30kW, 31kW
14			*Rotor, Exciter (Includes Parts Marked +)	27	232-3961	1	Board, Connection
			60 Hz	28	815-0194	2	Screw, ET Hex Head Thread Cutting (#10-32 x 3/8")
				29			Stator, Exciter
	201-2151	1	15kW, 20kW, 24kW, 25kW				60 Hz
	201-2152	1	30kW, 35kW	220-2308	1		15kW, 20kW, 25kW
			50 Hz	220-2309	1		30kW, 32kW, 35kW, 37kW, 40kW
	201-2151	1	12kW, 16kW, 20kW				50 Hz
	201-2152	1	24kW, 30kW	220-2308	1		12kW, 16kW, 20kW
15	870-0131	6	+Nut, ET Hex	220-2309	1		25kW, 30kW, 31kW
16	526-0008	10	+Washer, Flat (#10)	30			Screw, Slotted Head
17	853-0008	4	+Washer, ET Lock (#10)				Countersunk (1/4-20)
18	813-0100	4	+Screw, Round Head Machine (10-32 x 1/2")	802-0038	4		15kW, 20kW, 25kW
19			+Rectifier Assy	802-0040-01	4		30kW, 32kW, 35kW, 37kW 40kW
	358-0069	1	Positive				50 Hz
	358-0070	1	Negative	802-0038	4		12kW, 16kW, 20kW
20	515-0094	1	*Key, Woodruff (#6)	802-0040-01	4		25kW, 30kW, 31kW
21	232-2398	1	*Spacer, Bearing	31	850-0114-05	4	Washer, Lock (1/4")
22	870-0284	1	*Nut, Nylon Insert Lock (1-1/8-12UNF)				
23	510-0112	1	*Bearing, Ball				
24	526-0008	2	*Washer, Flat (#10)				
25	870-0131	2	*Nut, ET Hex (#10-32)				

\* - Parts Included in Generator Rotor.

+ - Parts Included in Exciter Rotor.

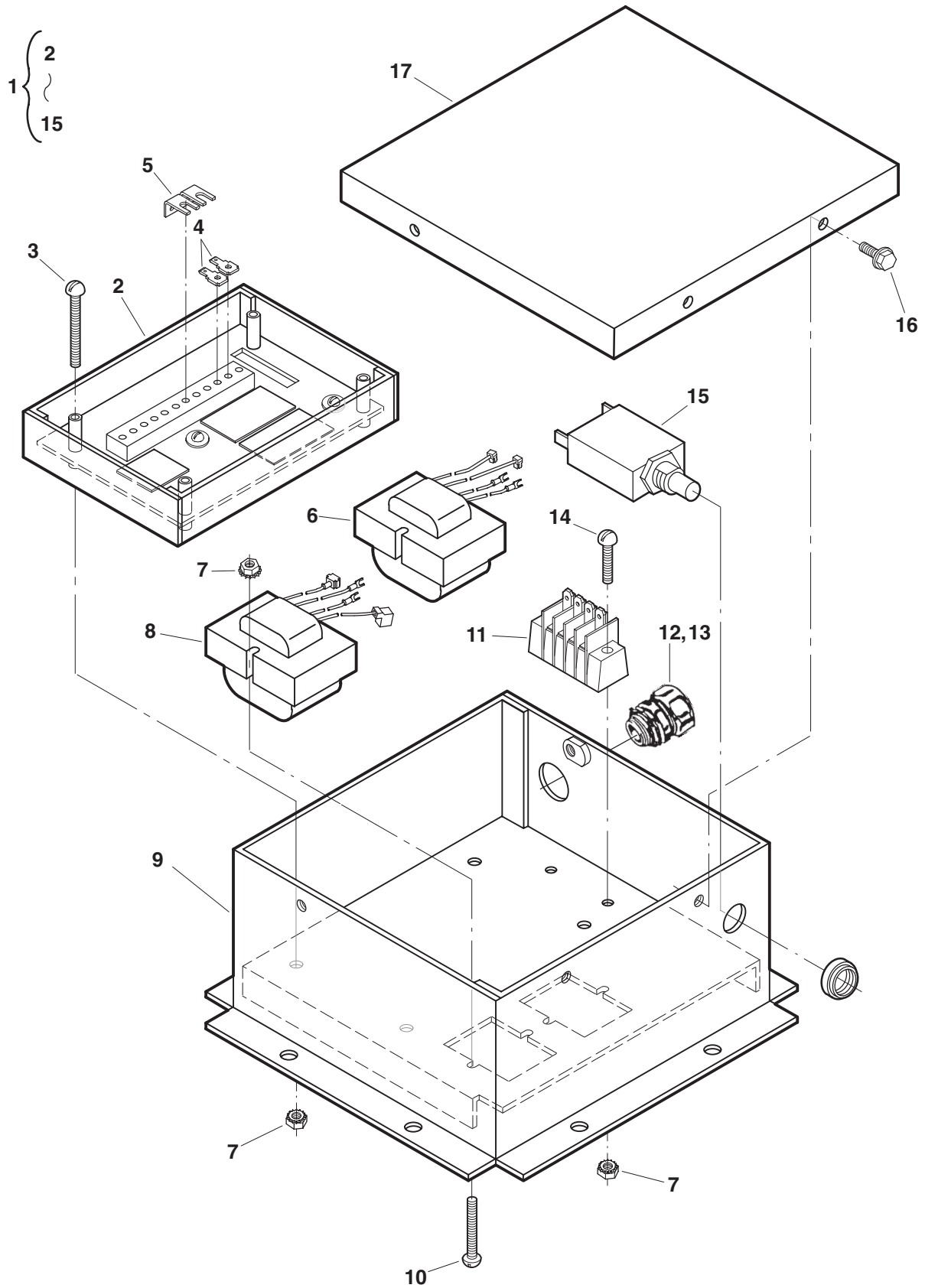
# Generator (Begin Spec C)



**Generator  
(Begin Spec C)**

REF NO.	PART NO.	QTY USED	PART DESCRIPTION	REF NO.	PART NO.	QTY USED	PART DESCRIPTION
32	895-0365	1	Gasket, Output Box (2.2')	47	862-0026-08	4	Nut, Hex (7/16-14)
33	509-0094	1	Seal, O'Ring	48			Foot, Right Mounting
34	211-0256-01		Endbell				60 Hz
35	508-0239	1	Edging (6")		232-2577	1	15kW, 20kW, 25kW
36	526-0399-42	8	Washer, Flat (3/8")		232-3893	1	30kW, 32kW, 35kW, 37kW,
37			Stud, Through				40kW
			60 Hz				50 Hz
	520-0797	4	15kW		232-2577	1	12kW, 16kW, 20kW
	520-0799	4	20kW		232-3893	1	25kW, 30kW, 31kW
	520-0800	4	25kW	49			Foot, Left Mounting
	520-0801	4	30kW, 32kW				60 Hz
	520-0802	4	35kW, 37kW, 40kW		232-2578	1	15kW, 20kW, 25kW
			50 Hz		232-3892	1	30kW, 32kW, 35kW, 37kW
	520-0797	4	12kW				40kW
	520-0799	4	16kW				50 Hz
	520-0800	4	20kW		232-2578	1	12kW, 16kW, 20kW
	520-0801	4	25kW		232-3892	1	25kW, 30kW, 31kW
	520-0802	4	30kW, 31kW	50	800-0310-50	8	Screw, Hex Head Cap
38	234-0969	1	Baffle, Air				(7/16-14 x 1")
39	232-3956	1	Box, Reconnect	51	526-0399-43	12	Washer, Flat (7/16")
40	862-0026-07	4	Nut, Hex (3/8-16)	52			Bracket, Generator Support
41	822-2160-37	2	Screw, Pan Head Slot				60 Hz
			(#10-32 x 1/2")		232-2452	1	15kW, 20kW, 25kW
42	862-0026-54	16	Nut, Hex (M6 x 1)		232-3900	1	30kW, 32kW, 35kW, 37kW
43	526-0222	8	Washer, Flat Brass (1/4")				40kW
44	232-3963	4	Link, Bus				50 Hz
45	332-3249	2	Block, Terminal		232-2452	1	12kW, 16kW, 20kW
46	232-3955	1	Cover, Inlet		232-3900	1	25kW, 30kW, 31kW

# Regulator

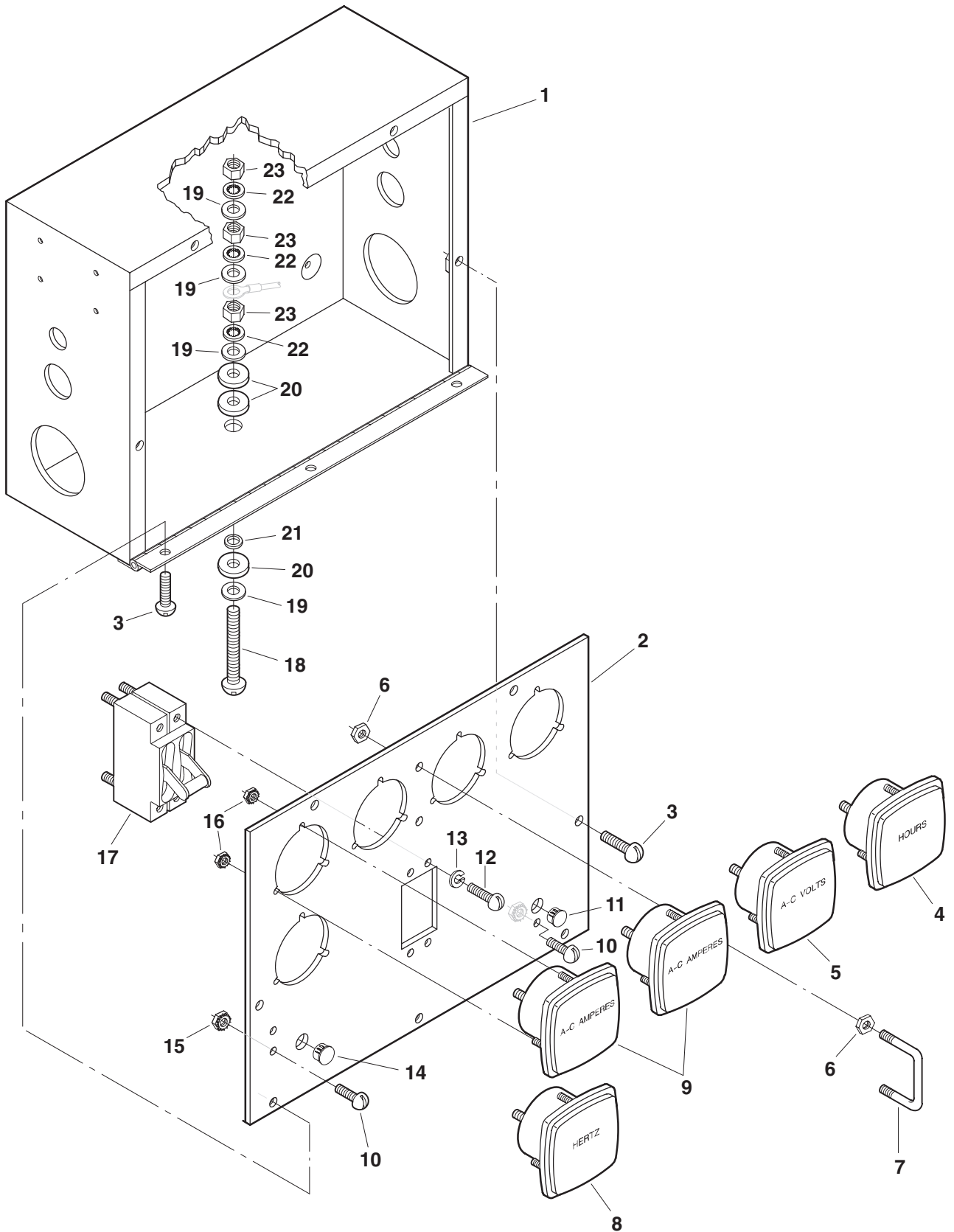


## Regulator

REF NO.	PART NO.	QTY USED	PART DESCRIPTION	REF NO.	PART NO.	QTY USED	PART DESCRIPTION
1	305-0722-01	1	Regulator Assy (Includes Parts Marked +)	11	332-1658	1	+Strip, Terminal
2	305-0688	1	+Regulator, Voltage	12	331-0115	1	+Connector, Straight
3	812-0071	4	+Screw, Round Head Machine (#6-32 x 1-1/2")	13	331-0041	1	+Locknut, 1/2 Conduit
4	332-2617	2	+Terminal, Tab	14	812-0063	2	+Screw, Round Head Machine (#6-32 x 1/2")
5	332-2605	1	+Jumper, Terminal	15	320-1121-01	1	+Breaker, Circuit
6	315-0391	1	+Reactor	16	821-0004	4	Screw, Hex Flange Lock (#10-32 x 5/16")
7	870-0183	10	+Nut, ET Hex (#6-32)	17	301-3753	1	Cover, Regulator
8	315-0386	1	+Transformer, Voltage				
9	301-8852	1	+Panel, Voltage Regulator Mounting				
10	812-0070	4	+Screw, Round Head Machine (#6-32 x 1-1/4")				

+ - Parts Included in Regulator Assy.

# Switchboard Components (12KW, 15KW, 16KW)

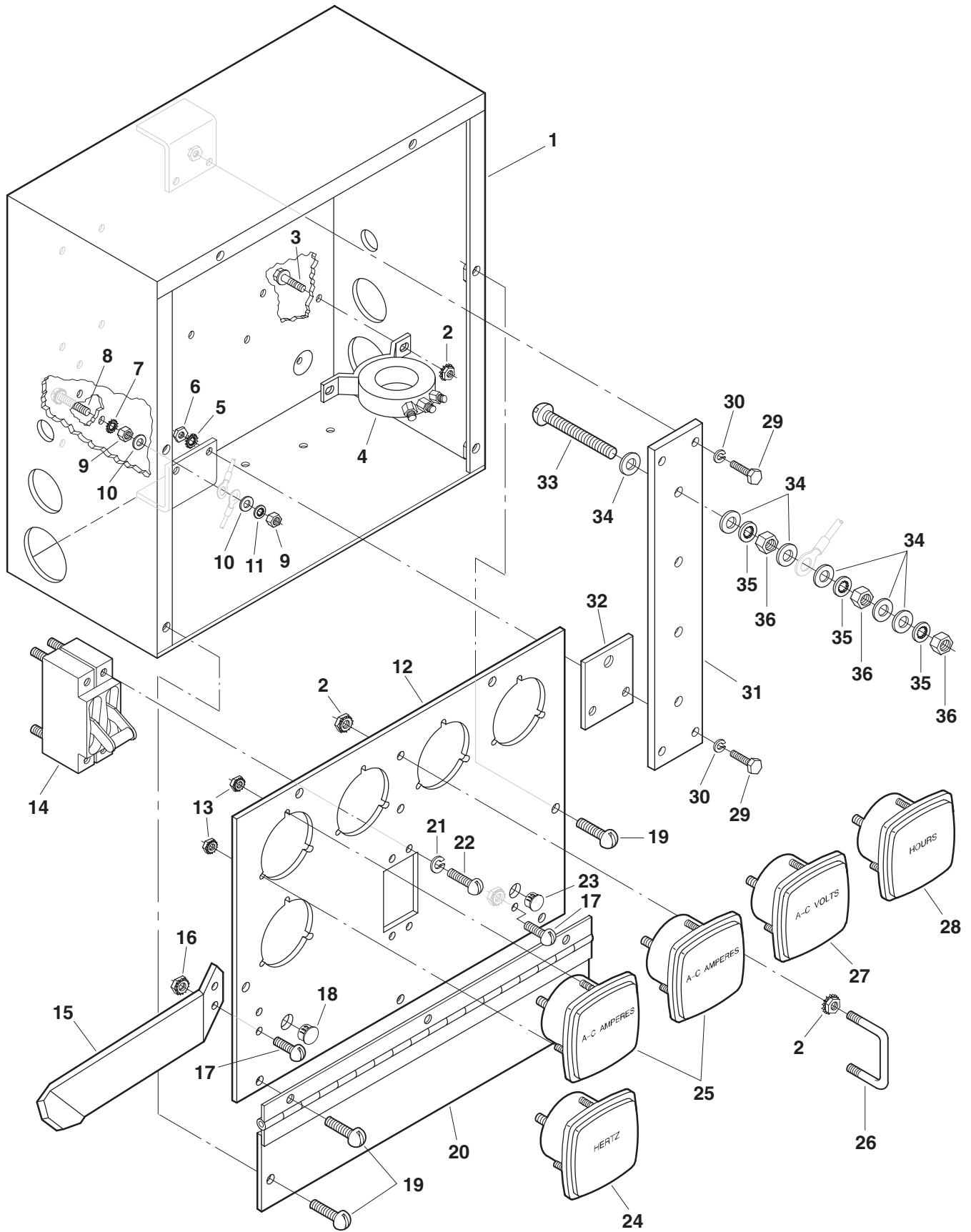




## Switchboard Components (12KW, 15KW, 16KW)

REF NO.	PART NO.	QTY USED	PART DESCRIPTION	REF NO.	PART NO.	QTY USED	PART DESCRIPTION
			Switchboard Assy	11	517-0131	1	Plug, Hole (3/8" Hole)
	300-4589	1	60 Hz (15kW)	12	812-0061	4	Screw, Round Head Machine (#6-32 x 3/8")
	300-4700	1	50 Hz (12kW, 16kW)				
1	301-2087	1	Box, Switchboard	13	850-0020	4	Washer, Spring Lock (#6)
2	301-2288	1	Panel, Control	14	517-0132	1	Plug, Hole (3/8" Hole)
3	815-0026	7	Screw, Truss Head Machine (#10-32 x 3/8")	15	870-0221	3	Nut, ET Hex (#8-32)
				16	870-1220	15	Nut, ET Hex (#4-40)
4			Meter, Time Totalizing	17	320-1423	1	Breaker, Circuit (70A 240 VAC)
	302-0465	1	60 Hz	18	810-0155	1	Screw, Brass Round Head Machine (1/4-20 x 1-1/4")
	302-0468	1	50 Hz				
5	302-0421	1	Meter, Volt (0-300 VAC)	19	526-0052	4	Washer, Brass Flat (17/64")
6	870-0131	4	Nut, ET Hex (#10-32)	20	508-0018	3	Washer, Fiber (1/4")
7	301-2727	1	Handle, Control Panel	21	508-0006	1	Washer, Fiber (1/4")
8	302-1338	1	Meter, Frequency (45-60Hz)	22	854-1014	3	Washer, IT Lock (17/64")
9	302-0458	2	Meter, AC Amp (0-100A AC)	23	871-0016	3	Nut, Hex Brass (1/4-20)
10	812-0076	3	Screw, Round Head Machine (#8-32 x 5/16")				

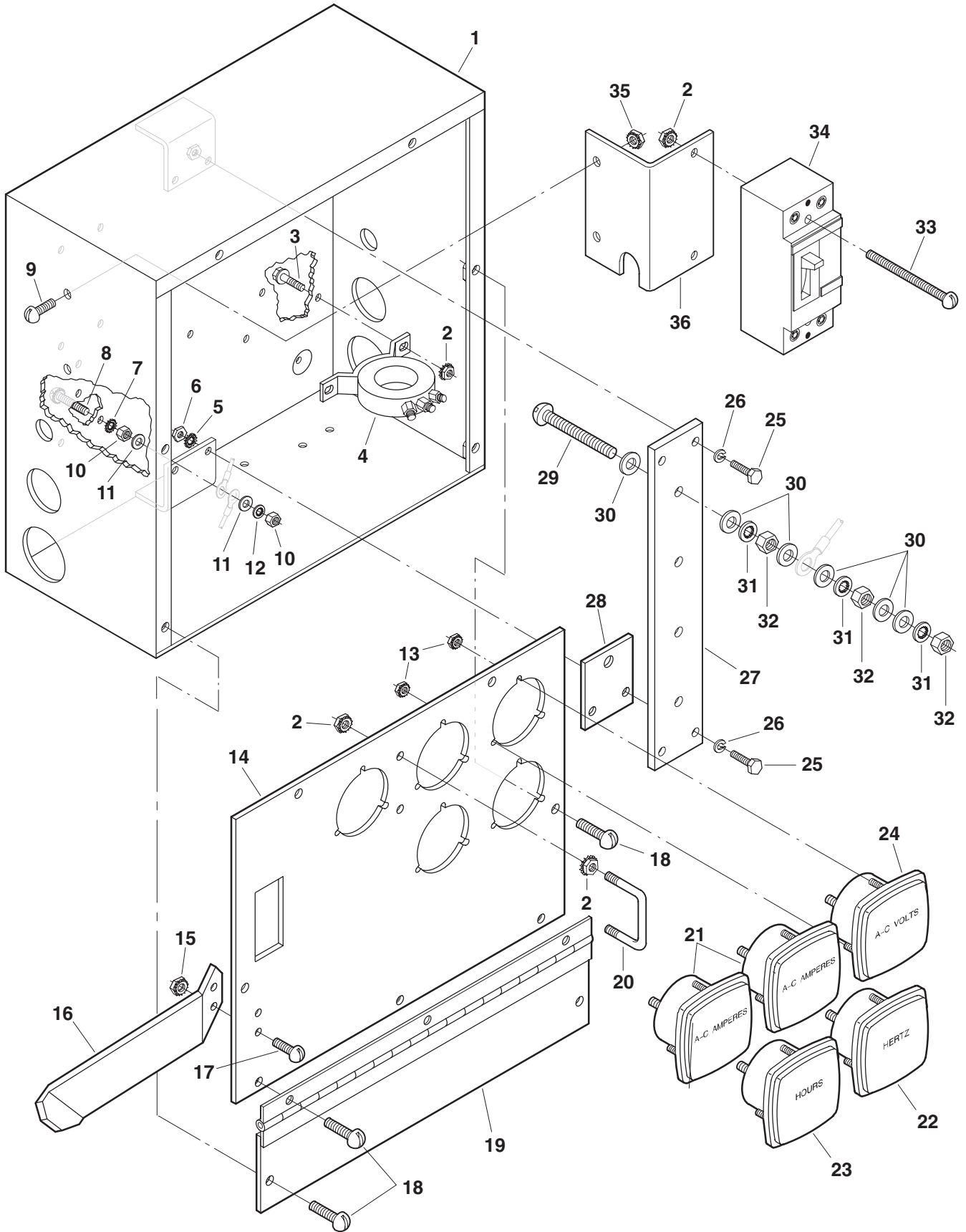
# Switchboard Components (20KW, 24KW, 25kW)



## Switchboard Components (20KW, 24KW, 25kW)

REF NO.	PART NO.	QTY USED	PART DESCRIPTION	REF NO.	PART NO.	QTY USED	PART DESCRIPTION
			Switchboard Assy	16	870-0221	3	Nut, ET Hex (#8-32)
		1	60 Hz	17	812-0076	3	Screw, Round Head Machine (#8-32 x 5/16")
	300-4590	1	20kW				
	300-4591	1	24kW, 25kW	18	517-0132	1	Plug, Hole (3/8" Hole)
			50 Hz	19	815-0026	9	Screw, Truss Head Machine (#10-32 x 3/8")
	300-4701	1	20kW				
	300-4702	1	24kW, 25kW	20	301-1610	1	Panel, Lower Control
1	301-1535	1	Box, Switchboard	21	850-0020	4	Washer, Spring Lock (#6)
2	870-0131	8	Nut, ET Hex (#10-32)	22	812-0061	4	Screw, Round Head Machine (#6-32 x 3/8")
3	821-0005	4	Screw, Lock Hex Flange (#10-32 x 1/2")	23	517-0131	1	Plug, Hole (3/8" Hole)
4			Transformer, Current	24	302-1338	1	Meter, Frequency (45-60Hz)
	302-1984-03	2	20kW	25			Meter, AC Amp (0-100A AC)
	302-1984-04	2	24kW, 25kW		302-0408	2	20kW, (0-100A)
5	856-0006	2	Washer, EIT Lock (1/4")		302-0410	2	24kW, 25kW (0-150A)
6	862-0001	4	Nut, Hex (1/4-20)	26	301-2727	1	Handle, Control Panel
7	856-0003	1	Washer, EIT Lock (#10)	27	302-0421	1	Meter, Volt (0-300 VAC)
8	815-0203	1	Screw, Round Head Brass ET Machine (#10-32 x 7/8")	28			Meter, Time Totalizing
9	871-0010	2	Nut, Brass Hex (#10-32)		302-0465	1	60 Hz
10	526-0049	2	Washer, Brass (#10)		302-0468	1	50 Hz
11	854-0010	1	Washer, IT Lock (#10)	29	800-0007	4	Screw (1/4-20 x 1")
12	301-2288	1	Panel, Upper Control	30	850-0040	4	Washer, Spring Lock (1/4")
13	870-1220	15	Nut, ET Hex (#4-40)	31	332-0513	1	Block, Terminal
14			Breaker, Circuit (70A 240 VAC)	32	301-0648	1	Plate, Ground
	320-1210	1	20kW (85A)	33	812-0185	3	Screw (5/16-18 x 2-1/4")
	320-1207	1	24kW, 25kW (100A)	34	526-0054	18	Washer, Brass Flat (5/16")
15	301-1914	1	Bracket, Panel Stop	35	854-0017	9	Washer, IT Lock
				36	871-0025	9	Nut, Hex Brass (5/16-18)

# Switchboard Components (30KW, 35KW)



## Switchboard Components (30KW, 35KW)

REF NO.	PART NO.	QTY USED	PART DESCRIPTION	REF NO.	PART NO.	QTY USED	PART DESCRIPTION
			Switchboard Assy	18	815-0026	9	Screw, Truss Head Machine (#10-32 x 3/8")
	300-4592	1	60 Hz 30kW	19	301-1610	1	Panel, Lower Control
	300-4593	1	35kW	20	301-2727	1	Handle, Control Panel
	300-4703	1	50 Hz, 30kW	21	302-0411	2	Meter, AC Amp (0-200A AC)
1	301-3105	1	Box, Switchboard	22	302-1338	1	Meter, Frequency (45-60Hz)
2	870-0131	10	Nut, ET Hex (#10-32)	23			Meter, Time Totalizing
3	821-0005	4	Screw, Lock Hex Flange (#10-32 x 1/2")		302-0465	1	60 Hz (30kW, 35kW)
					302-0468	1	50 Hz (30kW)
4	302-1984-05	2	Transformer, Current	24	302-0421	1	Meter, Volt (0-300 VAC)
5	856-0006	2	Washer, EIT Lock (1/4")	25	800-0007	4	Screw (1/4-20 x 1")
6	862-0001	4	Nut, Hex (1/4-20)	26	850-0040	4	Washer, Spring Lock (1/4")
7	856-0003	1	Washer, EIT Lock (#10)	27	332-0513	1	Block, Terminal
8	815-0203	1	Screw, Round Head Brass ET Machine (#10-32 x 7/8")	28	301-0648	1	Plate, Ground
				29	812-0185	3	Screw (5/16-18 x 2-1/4")
9	812-0148	2	Screw, Round Head Machine (1/4-20 x 1/2")	30	526-0054	18	Washer, Brass Flat (5/16")
				31	854-0017	9	Washer, IT Lock (5/16")
10	871-0010	2	Nut, Brass Hex (#10-32)	32	871-0025	9	Nut, Hex Brass (5/16-18)
11	526-0049	2	Washer, Brass (#10)	33	813-0113	2	Screw, Round Head Machine (#10-32 x 2-3/4")
12	854-0010	1	Washer, IT Lock (#10)				Breaker, Circuit (70A 240 VAC)
13	870-1220	15	Nut, ET Hex (#4-40)	34			30kW, 150A
14	301-3739	1	Panel, Upper Control		320-0343	1	35kW, 175A
15	870-0221	2	Nut, ET Hex (#8-32)		320-0344	1	Nut, ET Hex (1/4-20)
16	301-1914	1	Bracket, Panel Stop	35	870-0232	2	Bracket, Circuit Breaker
17	812-0077	2	Screw, Round Head Machine (#8-32 x 3/8")	36	301-3043	1	

## Labels

REF NO.	PART NO.	QTY USED	PART DESCRIPTION	REF NO.	PART NO.	QTY USED	PART DESCRIPTION
98-6958		1	Label, AC Schematic	98-7046		1	Label, ProTec
98-6195		1	Label, Caution	98-6982		1	Label, SW Board Assy
98-5347-01		1	Label, Danger (Hazardous Voltage) (Used on Outside of Output Cover)	98-7051		1	Label, TB21
				98-4798		1	Label, Warning (Rotating Parts)
98-5387-01		1	Label, Danger (Hazardous Voltage) (Used on Inside of Control Cover)	98-7075-01		2	Label, Warning (Hazardous Voltage) Label, WD Switchboard
				98-6979		1	15kW
98-7050		1	Label, Danger (Hazardous Voltage) (Used on Voltage Regulator Assy)	98-6975		1	20kW, 24kW
				98-6976		1	30kW, 35kW
98-5338		1	Label, No Step				

## Numerical Index

<u>Part No.</u>	<u>Page</u>	<u>Part No.</u>	<u>Page</u>	<u>Part No.</u>	<u>Page</u>	<u>Part No.</u>	<u>Page</u>
098-4798,	20	220-4527-01,	9	301-0648,	17, 19	332-2605,	13
098-5338,	20	220-4527-02,	9	301-1535,	17	332-2617,	13
098-5347-01,	20	220-4527-03,	9	301-1610,	17, 19	332-3249,	11
098-5387-01,	20	220-4527-04,	9	301-1914,	17, 19	358-0069,	5, 9
098-6195,	20	220-4527-05,	9	301-2087,	15	358-0070,	5, 9
098-6958,	20	220-4528-01,	9	301-2288,	15, 17	508-0006,	15
098-6975,	20	220-4528-02,	9	301-2727,	15, 17, 19	508-0018,	15
098-6976,	20	220-4528-03,	9	301-3043,	19	508-0239,	11
098-6979,	20	220-4528-04,	9	301-3105,	19	509-0094,	7, 11
098-6982,	20	220-4528-05,	9	301-3739,	19	510-0112,	5, 9
098-7046,	20	231-0185,	5	301-3753,	13	510-0115,	5, 9
098-7050,	20	231-0363,	5, 9	301-8852,	13	515-0051,	5, 9
098-7051,	20	232-2398,	5, 9	302-0408,	17	515-0094,	5, 9
098-7075-01,	20	232-2418,	5	302-0410,	17	515-0212,	5, 9
201-2151,	5, 9	232-2452,	7, 11	302-0411,	19	517-0131,	15, 17
201-2152,	5, 9	232-2453,	5, 9	302-0421,	15, 17, 19	517-0132,	15, 17
201-2338,	5	232-2576,	5, 9	302-0458,	15	518-0333,	5, 9
201-2340,	5	232-2577,	7, 11	302-0465,	15, 17, 19	520-0797,	7, 11
201-2341,	5	232-2578,	7, 11	302-0468,	15, 17, 19	520-0799,	7, 11
201-3529-01,	5	232-3892,	7, 11	302-1338,	15, 17, 19	520-0800,	7, 11
201-3529-02,	5	232-3893,	7, 11	302-1984-03,	17	520-0801,	7, 11
201-3543-01,	5, 9	232-3900,	7, 11	302-1984-04,	17	520-0802,	7, 11
201-3543-02,	5, 9	232-3916,	5, 9	302-1984-05,	19	526-0008,	5, 9
201-3543-03,	5, 9	232-3955,	11	305-0688,	13	526-0049,	17, 19
201-3543-04,	5, 9	232-3956,	11	305-0722-01,	13	526-0052,	15
201-3543-05,	5, 9	232-3961,	9	315-0386,	13	526-0054,	17, 19
205-0114,	5	232-3963,	11	315-0391,	13	526-0222,	11
205-0247,	5, 9	234-0185,	7	319-2501,	7	526-0399-11,	7
211-0256-01,	11	234-0519,	7	319-2502,	7	526-0399-13,	5, 9
211-0256-04,	7	234-0522,	5	320-0343,	19	526-0399-25,	5
211-0470,	7	234-0969,	7, 11	320-0344,	19	526-0399-42,	7, 11
220-2308,	5, 9	300-4589,	15	320-1121-01,	13	526-0399-43,	7, 11
220-2309,	5, 9	300-4590,	17	320-1207,	17	800-0007,	17, 19
220-4454-01,	5	300-4591,	17	320-1210,	17	800-0310-02,	5, 9
220-4454-02,	5	300-4592,	19	320-1423,	15	800-0310-07,	5, 9
220-4454-03,	5	300-4593,	19	331-0041,	13	800-0310-50,	7, 11
220-4454-04,	5	300-4700,	15	331-0115,	7, 13	800-0310-62,	5
220-4454-05,	5	300-4701,	17	331-0551,	7	802-0038,	5, 9
220-4501-04,	5	300-4702,	17	332-0513,	17, 19	802-0040-01,	5, 9
220-4501-05,	5	300-4703,	19	332-1658,	13	810-0155,	15

## Numerical Index

<u>Part No.</u>	<u>Page</u>	<u>Part No.</u>	<u>Page</u>	<u>Part No.</u>	<u>Page</u>	<u>Part No.</u>	<u>Page</u>
812-0061,	15, 17	871-0016,	15				
812-0063,	13	871-0025,	17, 19				
812-0070,	13	895-0365,	11				
812-0071,	13						
812-0076,	15, 17						
812-0077,	19						
812-0148,	19						
812-0165,	7						
812-0185,	17, 19						
813-0100,	5, 9						
813-0113,	19						
815-0026,	15, 17, 19						
815-0194,	5, 9						
815-0203,	17, 19						
821-0004,	13						
821-0005,	17, 19						
822-2160-37,	7, 11						
850-0020,	15, 17						
850-0030,	5						
850-0040,	17, 19						
850-0114-05,	5, 9						
853-0008,	5, 9						
853-0040-04,	7						
854-0010,	17, 19						
854-0017,	17, 19						
854-1014,	15						
856-0003,	17, 19						
856-0006,	17, 19						
862-0001,	17, 19						
862-0026-07,	7, 11						
862-0026-08,	7, 11						
862-0026-54,	11						
870-0131,	5, 9, 15, 17, 19						
870-0183,	13						
870-0221,	15, 17, 19						
870-0232,	19						
870-0284,	5, 9						
870-1220,	15, 17, 19						
871-0010,	17, 19						





**Onan Corporation**  
**1400 73rd Avenue N.E.**  
**Minneapolis, MN 55432**  
**1-800-888-ONAN**  
**612-574-5000 International Use**  
**Telex: 275477**  
**Fax: 612-574-8087**

Onan is a registered trademark of Onan Corporation