

The following catalog has gaps in its page numbers, or doesn't have any numbers. We have chosen to leave the page numbering in the order that Acrobat assigns it.

McGRAW-EDISON

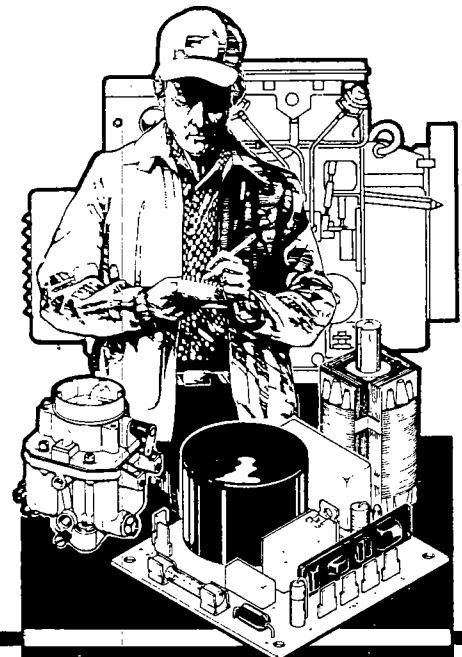
**Onan**

# Parts Manual

6.5

NH

**Mobile Refrigeration and  
Utility Vehicles**



**Onan Service Parts**

940-0226  
3-85 (SPEC P)

Printed in U.S.A.

## INDEX

Adapter, Oil Filter **A5**  
Ammeter **B12**  
Arm & Shaft, Governor **A12**  
Backplate, Scroll **B3**  
Baffle, Breather Tube **A6**  
Base, Oil **A8**  
Bearing, Camshaft **A6**  
Bearing, Crankshaft **A6**  
Bell, End **B10**  
Block, Brush **B10**  
Block, Cylinder **A6**  
Block, Terminal **B12**  
Box, Breaker **B1, B2**  
Box, Control **B12**  
Brush, Generator **B10**  
Camshaft **A10**  
Cap, Breather **A6**  
Carburetor, Gasoline **B4, B6**  
Clamp, Air Duct **A14**  
Clamp, Hose **A6**  
Clamp, Muffler **B8**  
Coil, Ignition **B1**  
Collector Ring **B10**  
Commutator, Generator **B10**  
Condensor, Ignition **B1**  
Control, Generator **B12**  
Cover, Air Cleaner **A14**  
Cover, Control **B12**  
Cover, Generator Fan **B11**  
Cover, Scroll **B3**  
Cover, Valve **A6**  
Crankshaft **A10**  
Cup, Governor **A10**  
Cushion, Vibration **A8**  
Drain, Oil Filter **A5**  
Duct, Air Cleaner **A14**  
Element, Air Cleaner **A14**  
Fan, Generator **B10**  
Filter, Oil **A5**  
Flywheel **A10**  
Fuse, 5 Amp/10 Amp **B12**  
Gasket, Bearing Plate **A6**  
Gasket, Carburetor Mounting **B4**  
Gasket, Cylinder Head **A6**  
Gasket, Gearcase **A12**  
Gasket, Manifold **B5, B8**  
Gasket, Oil Base **A8**  
Gasket, Oil Filter Adapter **A5**  
Gasket, Oil Pan **A8**  
Gasket, Valve Cover **A6**  
Gasket, Valve Guide **A6**  
Gauge, Oil Pressure **A5**  
Gear, Camshaft **A10**  
Gear, Crankshaft **A10**  
Gearcase **A12**  
Generator **B10**  
Guard, Scroll **B3**  
Guide, Valve **A6**  
Hanger, Exhaust **B8**  
Harness, Wiring (Control to Engine) **B12**  
Harness, Wiring—Generator **B10**  
Harness, Wiring—Remote **B12**  
Head, Cylinder **A6**  
Holder Fuse **B12**  
Hose, Breather **A6**  
Housing, Blower **B3**  
Housing, Choke **B4**  
Housing, Cylinder—LH **B3**  
Housing, Cylinder—RH **B3**  
Hub, Governor Cup **A10**  
Insert, Valve Seat **A6**  
Line, Fuel—Gasoline **B4**  
Manifold, Exhaust **B8**  
Manifold, Intake **B4**  
Meter, Time Totalizing **B12**  
Muffler, Spark Arrestor **B8**  
Pan, Oil Base **A8**  
Piston **A11**  
Plate, Bearing **A6**  
Plate, Control **B12**  
Plug, Expansion **A6**  
Plug, Spark **B1**  
Point Set, Breaker **B2**  
Pump, Fuel—Electric (Gasoline) **B4, B7**  
Pump, Oil **A5**  
Rectifier, Diode **B12**  
Regulator, Voltage **B12**  
Relay, Ignition Crank **B12**  
Relay, Start Solenoid **B12**  
Resistor, Fixed **B12**  
Ring, Piston **A11**  
Rod, Connecting **A11**  
Rotor Assembly, Wound **B10**  
Screen, Breather Tube **A6**  
Scroll, Air **B3**  
Seal, Air Cleaner **A14**  
Seal, Air Duct **A14**  
Seal, Air—Oil Filter **A5**  
Seal, Intake Valve **A6**  
Seal, Oil **A6, A12**  
Seat, Valve **A6**  
Stator Assembly, Wound **B10**  
Strap, Ground **A8**  
Stud, Cylinder Head **A6**  
Stud, Speed Adjust **A12**  
Support, Generator **B10**  
Switch, Ignition **B12**  
Switch, Pressure—Oil **A5**  
Switch, Start—Stop **B12**  
Tappet, Valve **A6**  
Tube, Breather **A6**  
Tube, Oil **A6**  
Valve, Exhaust **A6**  
Valve, Intake **A6**  
Valve, Oil Drain **A8**  
Voltmeter **B12**  
Wrapper, Air Cleaner **A14**  
Wrapper, End Bell **B10**

## INTRODUCTION

This Catalog applies to the Standard NH Mobile Refrigeration and Utility Generator Set. Parts are arranged in groups of related items. Each illustrated part is identified by a reference number corresponding to the same reference number in the parts list for that group. Parts illustrations are typical. Using the *Model* and *Spec No.* from the nameplate, select parts from this Catalog that apply to your set. Unless otherwise mentioned in the description, parts are interchangeable between models. Right and left sides are determined by *facing* the engine end (front) of the set.

## GENERATOR SET DATA TABLE

MODEL AND SPEC NO.	TYPE	WATTS	VOLTS	HERTZ	WIRE	PHASE
6.5 NH-5DR/10000P	Remote	6500	120/240	60	4 (Delta)	Three
6.5 NH-5DR/26725P	Remote	6500	120/240	60	4 (Delta)	Three

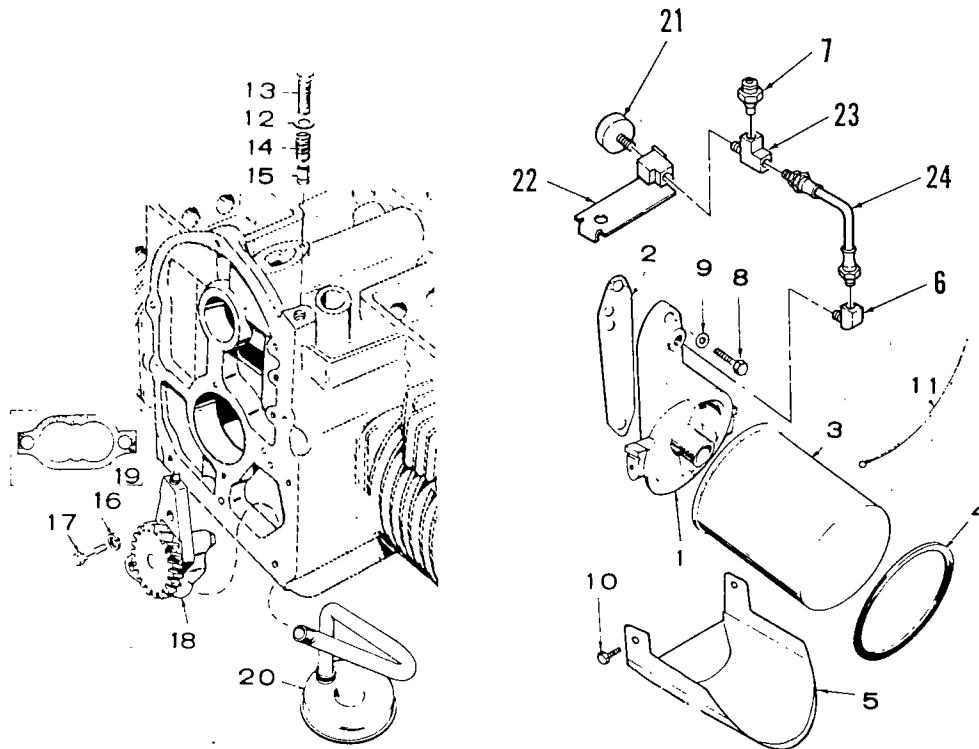
\* - The Specification letter advances (A to B to C, etc.) with manufacturing changes.

**NOTE:** The letter R in the Model and Spec denotes Electric Start with Start-Stop at both the Set and the Remote Control.

## STANDARD ENGINE PARTS SECTION

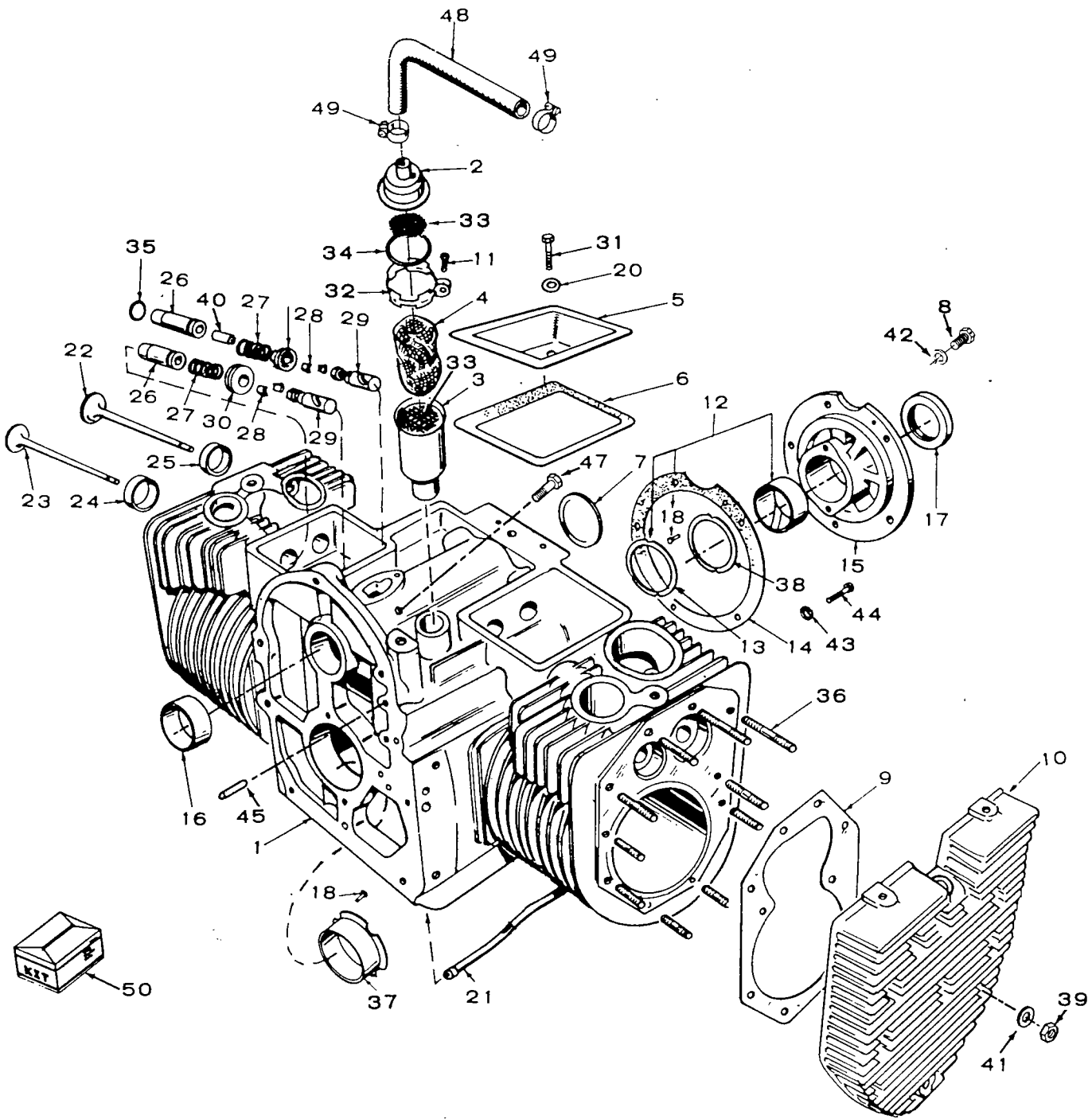
This section contains the engine parts used on standard engines listed in the Engine Data table.

## OIL SYSTEM



REF. NO.	PART NO.	QTY. USED	PART DESCRIPTION	REF. NO.	PART NO.	QTY. USED	PART DESCRIPTION
1	122-0320	1	Adapter, Oil Filter	13	801-0050	1	Screw, Cap - Hex Head (3/8-24 x 1")
2	122-0321	1	Gasket, Oil Filter Adapter Mounting	14	120-0140	1	Spring, Oil By-Pass Valve
3	122-0323	1	Filter, Oil - Spin-on	15	120-0398	1	Valve, Oil By-Pass
4	122-0347	1	Seal, Air - Oil Filter	16	850-0040	2	Washer, Lock - Spring (1/4")
5	122-0360	1	Drain, Oil Filter	17	800-0007	2	Screw, Cap - Hex Head (1/4-20 x 1")
6	502-0053	1	Elbow, Street - 45°	18	120-0491	1	Pump, Oil (Components Not Sold Separately)
7	309-0322	1	Switch, Low Oil Pressure	19	120-0161	1	Kit, Gasket - Oil Pump
8	800-0028	2	Screw, Cap - Hex Head (5/16-18 x 1")	20	120-0413	1	Cup, Oil Pump Intake (Includes Screw Pipe and Cup)
9	526-0065	2	Washer, Flat - Copper (21/64" ID x 9/16" OD x 1/16" Thk)	21	193-0006	1	Gauge, Oil Pressure 5 Amp Battery Charger
10	815-0194	2	Screw, Tapping - Hex Head (#10-32 x 3/8")	22	193-0356	1	Bracket and Fitting Assembly
11	336-3377	1	Lead, Electric Low Oil Pressure Switch	23	502-0058	1	Tee, Low Oil Pressure Switch 5 Amp Battery Charger
12	526-0066	1	Washer, Flat - Copper (25/64" ID x 9/16" OD x 1/16" Thk)	24	501-0004	1	Line, Flex - Oil (12") 5 Amp Battery Charger

# CYLINDER BLOCK



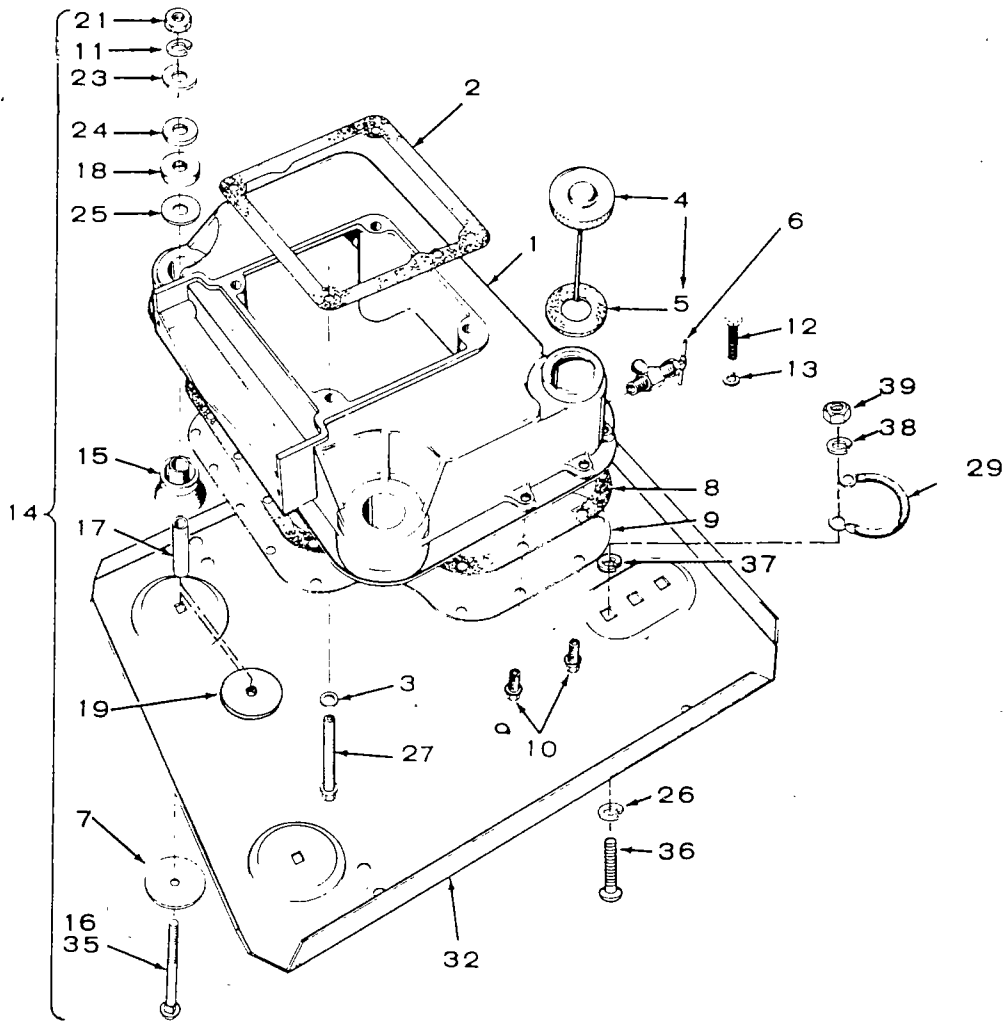
# CYLINDER BLOCK

REF. NO.	PART NO.	QTY. USED	PART DESCRIPTION	REF. NO.	PART NO.	QTY. USED	PART DESCRIPTION
1	110-1983	1	Block Assembly, Cylinder (Includes Parts Marked *)	29	TAPPET, VALVE		
2	123-0954	1	Cap and Valve, Breather	115-0006	4	Standard	
3	123-0952	1	*Tube, Breather	115-0006-05	4	.005" Oversize	
4	123-1417	1	Baffle, Breather Tube	30	RETAINER, VALVE SPRING		
5	110-1624	2	Cover, Valve Compartment	110-0904	4	Rotator	
6	110-1720	2	Gasket, Valve Cover	110-0893	2	Washer (Used In Place Of Rotators on Intake Valves)	
7	517-0048	1	*Plug, Expansion	31	800-0011	2	Screw, Cap - Hex Head (1/4-20 x 2")
8	800-0051	5	Screw, HHC - (3/8-16 x 1-1/4") Bearing Plate Mounting	32	123-0951	1	Clamp, Loop - Breather Tube Cap
9	110-1731	2	Gasket, Cylinder Head	33	123-0958	2	Screen, Breather Tube
10	110-2713	2	Head, Cylinder	34	509-0117	1	Seal, O-Ring - Breather Tube
11	809-0035	1	Screw, Tapping - Round Head (#8 x 3/4")	35	110-0068	2	*Gasket, Valve Guide (Intake)
12	BEARING, CRANKSHAFT REAR			36	*STUD, CYLINDER HEAD MOUNTING		
	101-0450	1	*Standard	520-0919	8	3/8 x 2-19/32" (Bottom 4 Holes)	
	101-0450-02	1	.002" Undersize	520-0876	4	3/8 x 2-3/4" (Top 2 Holes)	
	101-0450-10	1	.010" Undersize	520-0918	8	3/8 x 3" (Middle 4 Holes)	
	101-0450-20	1	.020" Undersize	37	BEARING, SLEEVE - FLANGED CRANKSHAFT		
	101-0450-30	1	.030" Undersize	101-0432	1	*Standard	
13	104-0575	2	*Washer, Thrust - Crankshaft Bearing	101-0432-02	1	.002" Undersize	
14	101-0415	1	*Gasket, Bearing Plate	101-0432-10	1	.010" Undersize	
15	101-0439	1	*Plate, Bearing - Rear	101-0432-20	1	.020" Undersize	
16	101-0405	2	*Bearing, Camshaft	101-0432-30	1	.030" Undersize	
17	509-0041	1	Seal, Oil - Crankshaft (1/2" W)	38	104-0776	AR	*Shim, Crankshaft Thrust (.005")
18	516-0072	4	*Pin, Bearing Stop	39	104-0091	20	Nut, Hex (3/8 - 24)
20	526-0063	2	Washer, Flat - Copper (17/64" ID x 7/16" OD x 1/32" Thk)	40	509-0168	2	Seal, Intake Valve (Optional)
21	120-0680	1	*Tube, Oil - Crankcase	41	526-0250	20	Washer, Flat - Heat Treated (.407" ID x 1" OD x 1/8" Thk)
22	110-1974	2	Valve, Intake	42	850-0050	5	Washer, Lock (3/8")
23	110-1719	2	Valve, Exhaust	43	526-0066	2	*Washer, Flat - Copper (25/64" ID x 9/16" OD x 1/16" Thk)
24	INSERT, VALVE SEAT - EXHAUST			44	800-0046	2	*Screw, Cap - Hex Head (3/8-16 x 1/2")
	110-1716	2	*Standard	45	516-0141	2	*Pin, Gearcase Alignment
	110-1716-02	2	.002" Oversize	47	505-0057	1	Plug, Square Hd - Pulse Line Hole (1/8")
	110-1716-05	2	.005" Oversize	48	503-0857	1	Hose, Breather
	110-1716-10	2	.010" Oversize	49	503-0770	2	Clamp, Hose
	110-1716-25	2	.025" Oversize	50	Kits		
25	INSERT, VALVE SEAT - INTAKE				98-1100	1	Decal
	110-1933	2	*Standard	168-0137	1	Gasket (Carbon Removal)	
	110-1933-02	2	.002" Oversize	168-0145	1	Gasket (Complete Engine)	
	110-1933-05	2	.005" Oversize				
	110-1933-10	2	.010" Oversize				
	110-1933-25	2	.025" Oversize				
26	*GUIDE, VALVE						
	110-3168	2	Intake				
	110-3167	2	Exhaust				
27	110-0539	4	Spring, Valve				
28	110-0639	8	Lock, Valve Spring				

AR - Quantity as Required

\* - Parts Included in Cylinder Block Assembly

# OIL BASE & MOUNTING HARDWARE





## OIL BASE & MOUNTING HARDWARE

REF. NO.	PART NO.	QTY. USED	PART DESCRIPTION	REF. NO.	PART NO.	QTY. USED	PART DESCRIPTION
1	102-0957	1	Base, Oil (Includes Parts Marked*)	17	SPACER, SLEEVE		
2	102-1200	1	*Gasket, Oil Base	402-0290		2	Δ#Engine End
3	526-0030	4	Washer, Flat (25/64" ID x 1" OD x 1/16" Thk)	402-0290		2	+†Generator End
4	123-1400	1	Cap and Indicator, Oil Fill	18	SNUBBER		
5	123-0191	1	Gasket, Oil Fill Cap	402-0282		2	Δ#Engine End
6	504-0092	1	Valve, Oil Drain	402-0282		2	+†Generator End
7	WASHER, FLAT (41/64" ID x 1-1/4 OD x 1/8" Thk)			19	526-0195	2	Δ+Washer, Flat (29/64" ID x 3-1/4 OD x 1/8" Thk)
	526-0038	2	†Generator End	21	NUT, HEX (7/16" - 14)		
	526-0038	2	#Engine End	862-0004		2	Δ#Engine End
8	102-1275	1	*Gasket, Oil Pan Mounting	862-0004		2	+†Generator End
9	102-0889	1	*Pan, Oil Base	23	WASHER, FLAT (29/64" ID x 1-1/2" OD x 1/8" Thk)		
10	821-0018	20	*Screw, Cap - HWH (1/4-20 x 5/8")	526-0014		2	Δ#Engine End
11	WASHER, LOCK (7/16")			526-0014		2	+†Generator End
	850-0055	2	Δ#Engine End	24	WASHER, FLAT (5/8" ID x 1-1/2" OD x 1/16" Thk)		
	850-0055	2	+†Generator End	526-0198		2	Δ#Engine End
12	800-0047	1	Screw, Cap - Hex Head (Ground Strap, End Bell) (3/8-16 x 5/8")	526-0198		2	+†Generator End
13	856-0010	1	Washer, Lock - EIT (3/8" Ground Strap, End Bell)	25	WASHER, FLAT		
14	HARDWARE MOUNTING (PACKAGE)			526-0286		2	+†Generator End
	GenSets with Mounting Plate			26	856-0016	1	Washer, Lock - EIT (5/8")
	402-0477	1	Engine End (Includes Parts Marked #)	27	SCREW, CAP - HEX HEAD		
	402-0480	2	Generator End (Includes Parts Marked †)	800-0064		4	3/8-16 x 4-1/2"
	GenSets Without Mounting Plate			28	850-0050	4	Washer, Lock - Spring (3/8")
	402-0488	1	Engine End (Includes Parts Marked Δ)	29	337-2055	1	Strap, Ground
	402-0489	1	Generator End (Includes Parts Marked +)	32	403-1484	1	Plate, Mounting
15	402-0283	2	+Δ†#Cushion, Vibration	35	BOLT, CARRIAGE (7/16-14 x 3-1/2")		
16	800-0082	2	Δ+Screw, HHC (7/16-14 x 3-3/4")	816-0206		2	#Engine End
				816-0206		2	†Generator End
				36	816-0197	1	Bolt, Carriage (7/16-14 x 1-1/4")
				37	856-0012	1	Washer, EIT (7/16")
				38	850-0055	1	Washer, Lock (7/16")
				39	862-0004	1	Nut, Hex (7/16-14)

† - Parts Included in 402-0280 Hardware Package.

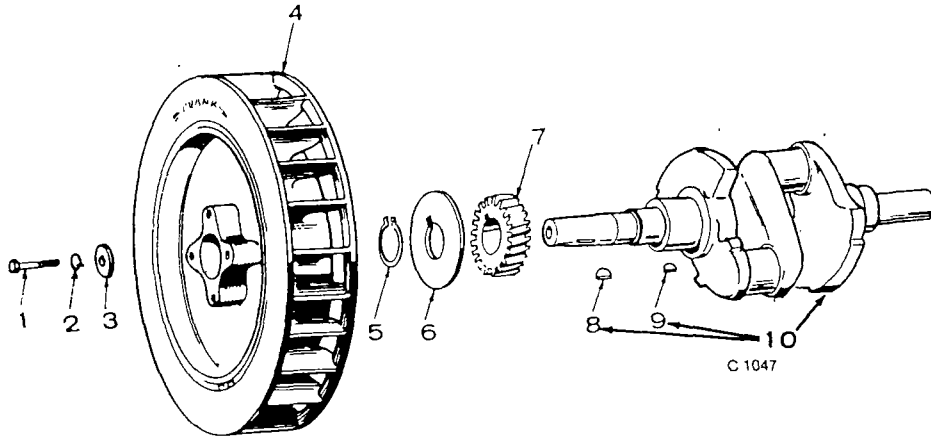
\* - Parts Included in 102-0957 Oil Base.

# - Parts Included in 402-0477 Hardware Package.

Δ - Parts Included in 402-0488 Hardware Package.

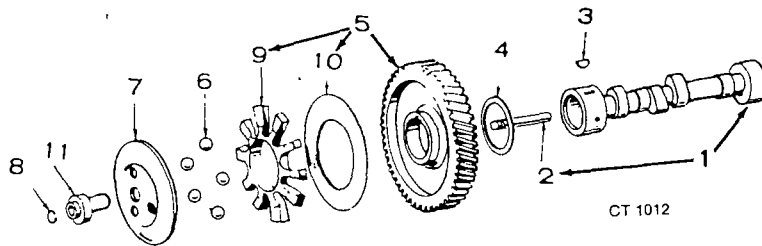
+ - Parts Included in 402-0489 Hardware Package.

## CRANKSHAFT AND FLYWHEEL



REF. NO.	PART NO.	QTY. USED	PART DESCRIPTION
1	104-0170	1	Screw, Cap - Hex Head (Special)
2	850-0055	1	Washer, Lock - Spring (7/16")
3	526-0262	1	Washer, Flat (15/32" ID x 1-1/4" OD x 1/4" Thk)
4	134-4245	1	Flywheel
5	518-0014	1	Ring, Retaining
6	104-0043	1	Washer, Gear (Special)
7	104-0032	1	Gear, Crankshaft
8	515-0227	1	Kit, Key
9	515-0001	1	Key, Woodruff
10	104-1314	1	Crankshaft (Includes Keys)

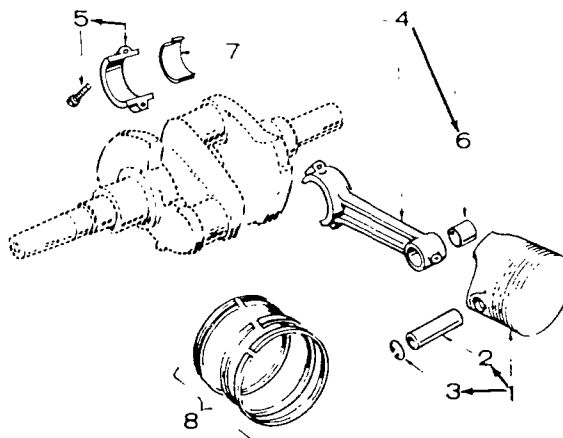
## CAMSHAFT



REF. NO.	PART NO.	QTY. USED	PART DESCRIPTION
1	105-0396	1	Camshaft (Includes Center Pin)
2	150-0075	1	Pin, Camshaft
3	515-0001	1	Key, Camshaft Gear
4	105-0541	1	Washer, Thrust
5	105-0332	1	Gear Assembly, Camshaft (Includes Parts Marked *)
6	510-0015	10	Ball, Fly - Governor
7	150-1520	1	Cup, Governor
8	150-0078	1	Ring, Retaining
9	150-1257	1	*Spacer, Flyball
10	150-0077	1	*Plate, Flyball
11	150-1519	1	Hub, Governor Cup

\* - Parts Included in the 105-0332 Camshaft Gear Assembly

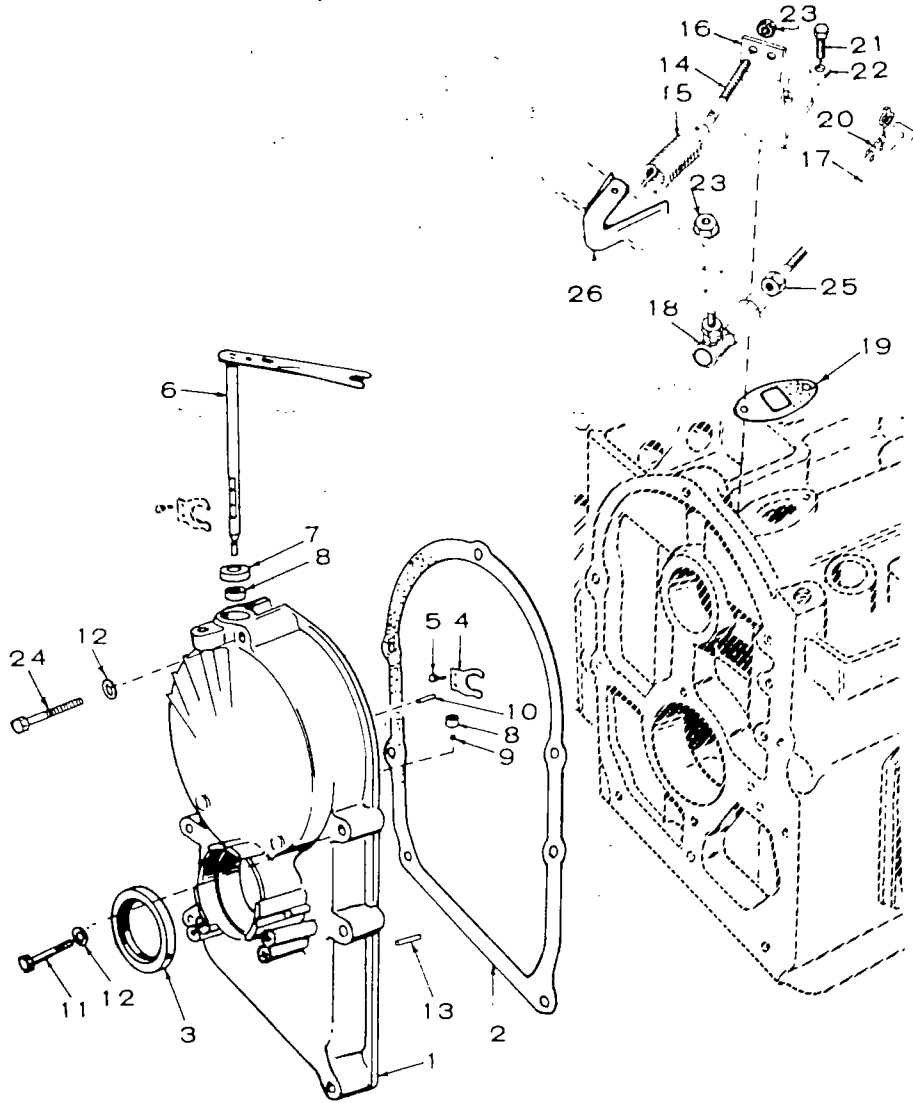
## PISTON AND ROD



CT1013

REF. NO.	PART NO.	QTY. USED	PART DESCRIPTION
1	PISTON AND PIN (Includes Retaining Rings)		
	112-0228	2	Standard
	112-0228-05	2	.005" Oversize
	112-0228-10	2	.010" Oversize
	112-0228-20	2	.020" Oversize
	112-0228-30	2	.030" Oversize
	112-0228-40	2	.040" Oversize
2	112-0069	2	Pin, Piston
3	518-0294	4	Ring, Retaining - Piston Pin
4	114-0203	2	Rod Assembly, Connecting (Includes Bushing & Place Bolts)
5	805-0010	4	Bolt, Place (5/16-24 x 1-1/4")
6	114-0036	2	Bushing, Piston Pin
7	BEARING, HALF - CONNECTING ROD		
	114-0188	4	Standard
	114-0188-02	4	.002" Undersize
	114-0188-10	4	.010" Undersize
	114-0188-20	4	.020" Undersize
	114-0188-30	4	.030" Undersize
8	RING SET, PISTON		
	113-0203	2	Standard
	113-0203-05	2	.005" Oversize
	113-0203-10	2	.010" Oversize
	113-0203-20	2	.020" Oversize
	113-0203-30	2	.030" Oversize
	113-0203-40	2	.040" Oversize

# GEARCASE AND GOVERNOR

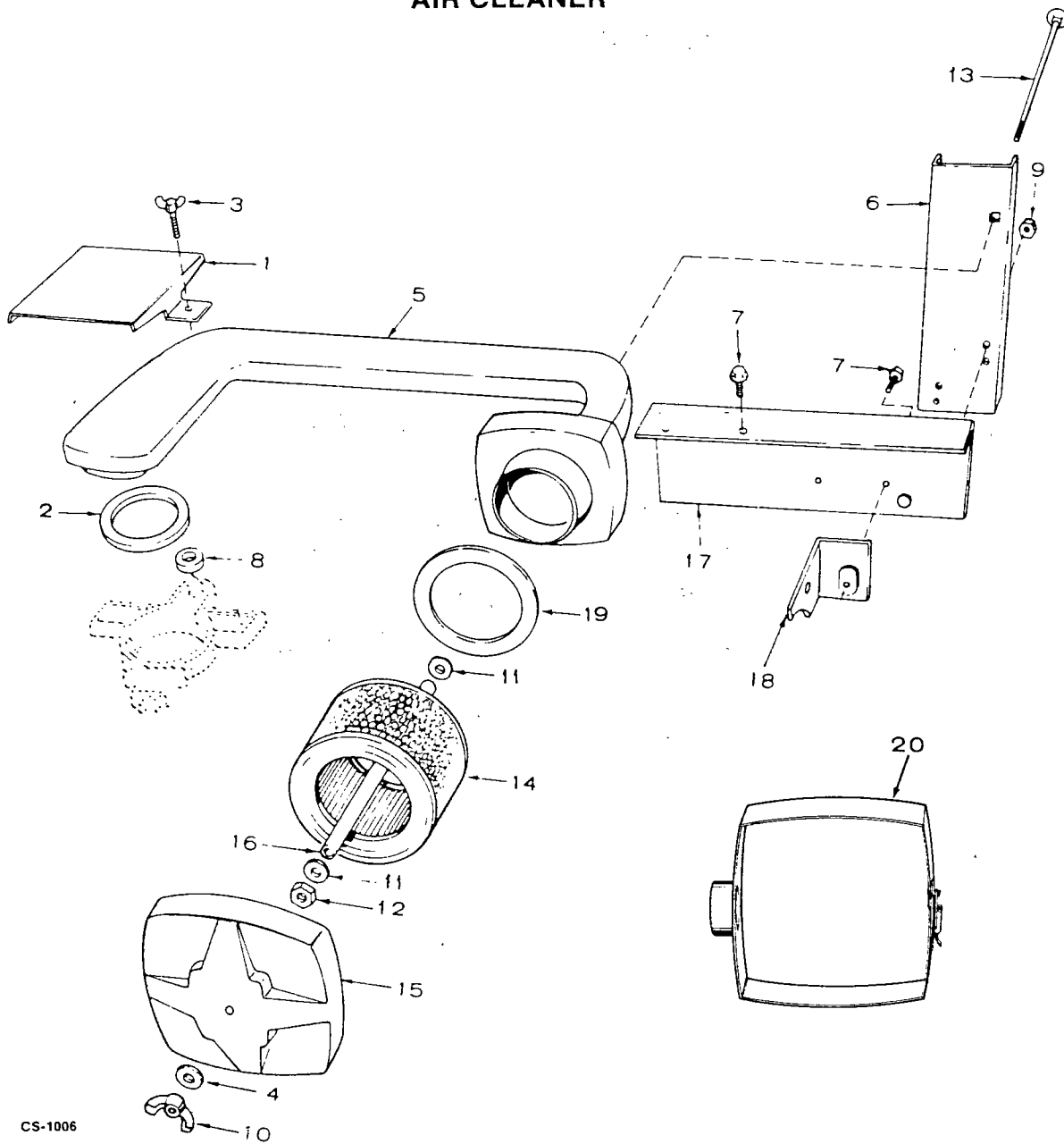


## GEARCASE AND GOVERNOR

REF. NO.	PART NO.	QTY. USED	PART DESCRIPTION
1	103-0667	1	Cover Assembly, Gear (Includes Parts Marked *)
2	103-0408	1	Gasket, Gearcase Mounting
3	509-0040	1	*Seal, Oil
4	150-1187	1	*Yoke, Governor
5	815-0046	2	*Screw, Machine - Pan Head (#8-32 x 3/8" Lg)
6	150-1542	1	*Arm and Shaft Assembly Governor
7	509-0008	1	*Seal, Oil
8	510-0013	2	*Bearing, Needle
9	510-0014	1	*Bearing, Ball - Governor Shaft
10	516-0130	1	*Pin, Governor Cup Stop
11	800-0032	4	Screw, Cap - Hex Head Gearcase Mounting (5/16-18 x 1-3/4" Long)
12	526-0065	6	Washer, Flat (Copper) Gearcase Mounting (21/64" ID x 9/16" OD x 1/16" Thk)
13	516-0141	2	Pin, Gearcase Alignment
14	150-0096	1	Stud, Speed Adjustment
15	150-1612	1	Spring, Governor
16	150-1577	1	Bracket, Governor Mounting
17	150-0629	1	Rod, Governor Arm to Carburetor
18	150-0639	1	Ball, Joint
19	149-0003	1	Gasket, Governor Bracket Mounting
20	518-0004	1	Clip, Retaining - Rod End
21	800-0004	2	Screw, Cap - Hex Head Governor Bracket Mounting (1/4-20 x 5/8" Long)
22	526-0063	2	Washer, Flat (Copper) Governor Bracket Mounting (17/64" ID x 7/16" OD x 1/32" Thk)
23	870-0131	1	Nut, Self Locking (1/4-20)
24	800-0034	1	Screw, Cap - Hex Head Gearcase Mtg. (5/16-18 x 2-1/4" Long)
25	870-0053	1	Nut, Hex (#10-32)
26	150-0678	1	*Clip, Sensitivity

\* - Parts Included in 103-0667 Gearcase Assembly

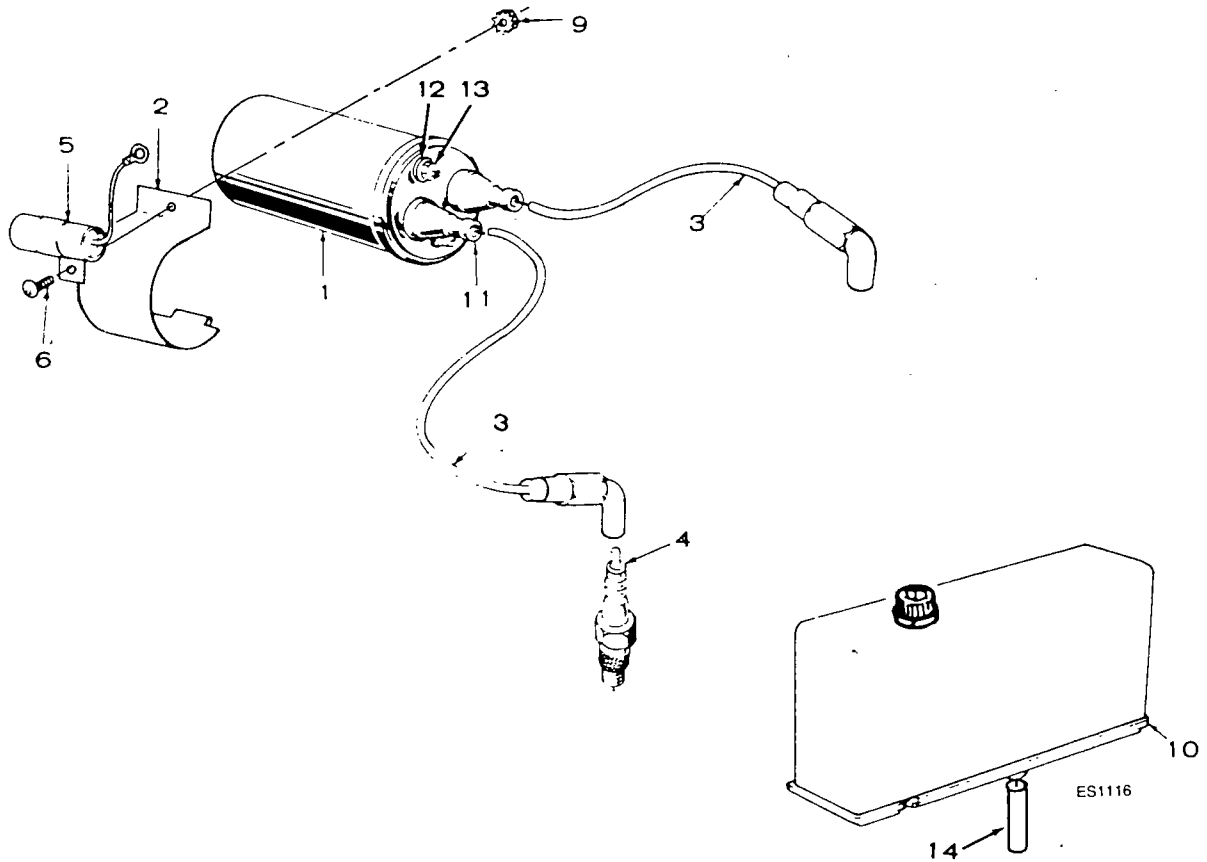
# AIR CLEANER



CS-1006

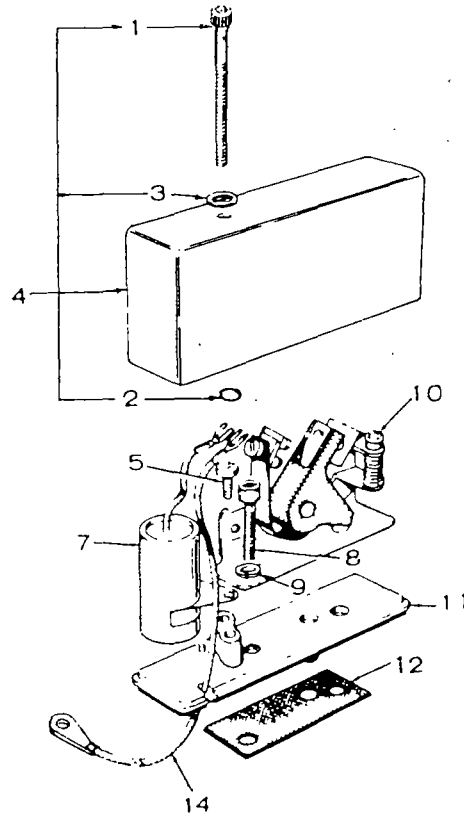
REF. NO.	PART NO.	QTY. USED	PART DESCRIPTION	REF. NO.	PART NO.	QTY. USED	PART DESCRIPTION
1	140-1520	1	Clamp, Air Duct	11	526-0158	2	Washer, Flat (17/64" ID x 5/8" OD x 1/16" Thk)
2	140-1502	1	Seal, Air Duct to Adapter	12	870-0212	1	Nut, Hex - Locking (1/4-20)
3	518-0390	2	Screw, Wing (1/4-20 x 3/4")	13	816-0070	1	Bolt, Carriage (1/4-20 x 6-1/2")
4	526-0021	1	Washer, Flat (17/64" ID x 3/4" OD x 1/16" Thk)	14	140-0495	1	Element, Air Cleaner
5	140-1503	1	Duct, Air Cleaner	15	140-1504	1	Cover, Air Cleaner
6	140-1531	1	Bracket, Air Duct Support	16	140-1522	1	Spacer, Air Intake
7	821-0009	6	Screw, Cap - Hex Head Locking (1/4-20 x 3/8")	17	140-1529	1	Bracket, Air Intake Duct
8	140-1521	1	Seal, Air Duct to Breather Port	18	140-1528	1	Brace, Air Intake Duct
9	870-0212	2	Nut, Hex - Locking (1/4-20)	19	140-1533	2	Seal, Air Cleaner Element
10	865-0019	1	Nut, Wing (1/4-20)	20	140-1672	1	Wrapper, Air Cleaner

## IGNITION SYSTEM



REF. NO.	PART NO.	QTY. USED	PART DESCRIPTION
1	166-0643	1	Coil, Ignition
2	166-0588	1	Clamp, Ignition Coil Mounting
3	167-1596	2	Lead, Spark Plug
4	167-0291	2	Plug, Spark
5	312-0017	1	Condenser, Ignition (.5 MFD)
6	821-0004	1	Screw, Cap - HWH (#10-32 x 5/16")
9	870-0131	1	Nut, Hex - Coil Bracket Mtg. and Condenser (#10-32)
10	160-1303	1	Box Assembly, Breaker - Complete (See Separate Group for Components)
11	160-0558	2	Nipple, Spark Plug Cable
12	850-2005	1	Washer, Flat (Metric)
13	166-0554	1	Nut, Hex (Metric)
14	160-1151	1	Plunger, Breaker Points

# BREAKER BOX

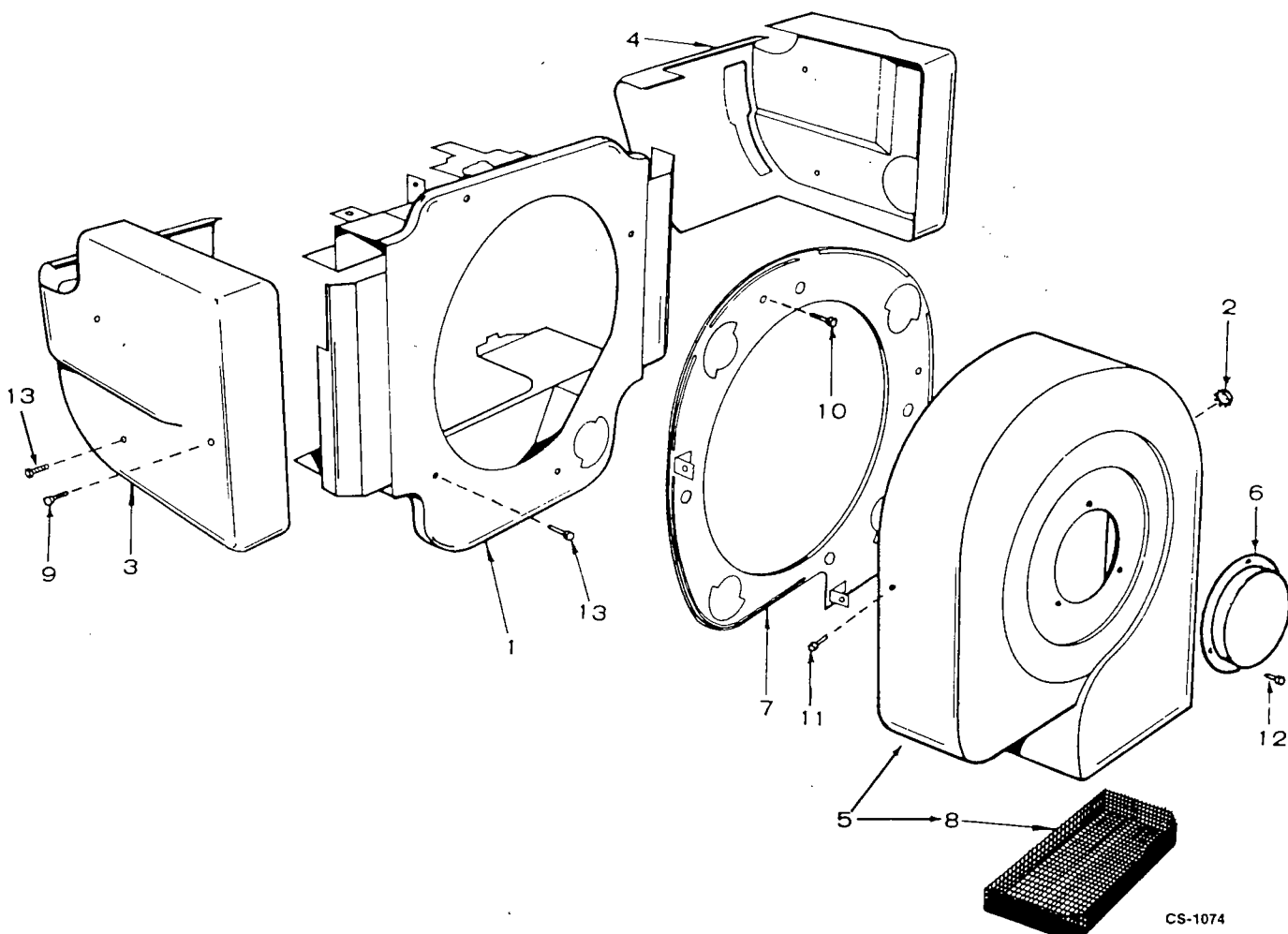


REF. NO.	PART NO.	QTY. USED	PART DESCRIPTION
	160-1303	1	Breaker Box (Includes Parts Marked *)
1	802-0022	1	*Screw, Cap - Hex Socket (#10-24 x 1-1/2")
2	509-0065	1	*Retainer ("O" Ring)
3	526-0008	1	*Washer, Flat (13/64" ID x 7/16 OD x 1/32" Thk)
4	160-1285	1	*Cover, Breaker Box
5	815-0358	1	*Screw, Cap - Slotted (#8-32 x 5/16")
7	312-0244	1	*Condenser
8	802-0034	2	*Screw, Cap - Socket Head (1/4-20 x 3/4")
9	850-0040	2	*Washer, Lock (1/4")
10	160-1183	1	*Point Set, Breaker
11	160-1219	1	*Base, Breaker
12	160-1150	1	*Gasket, Breaker Box
14	166-0702	1	Lead, Breaker Box to Coil (Includes Washer and Nut)
	160-1311	1	Tune Up Kit (Includes Points and Condenser)

\* - Parts Included in 160-1303 Breaker Box

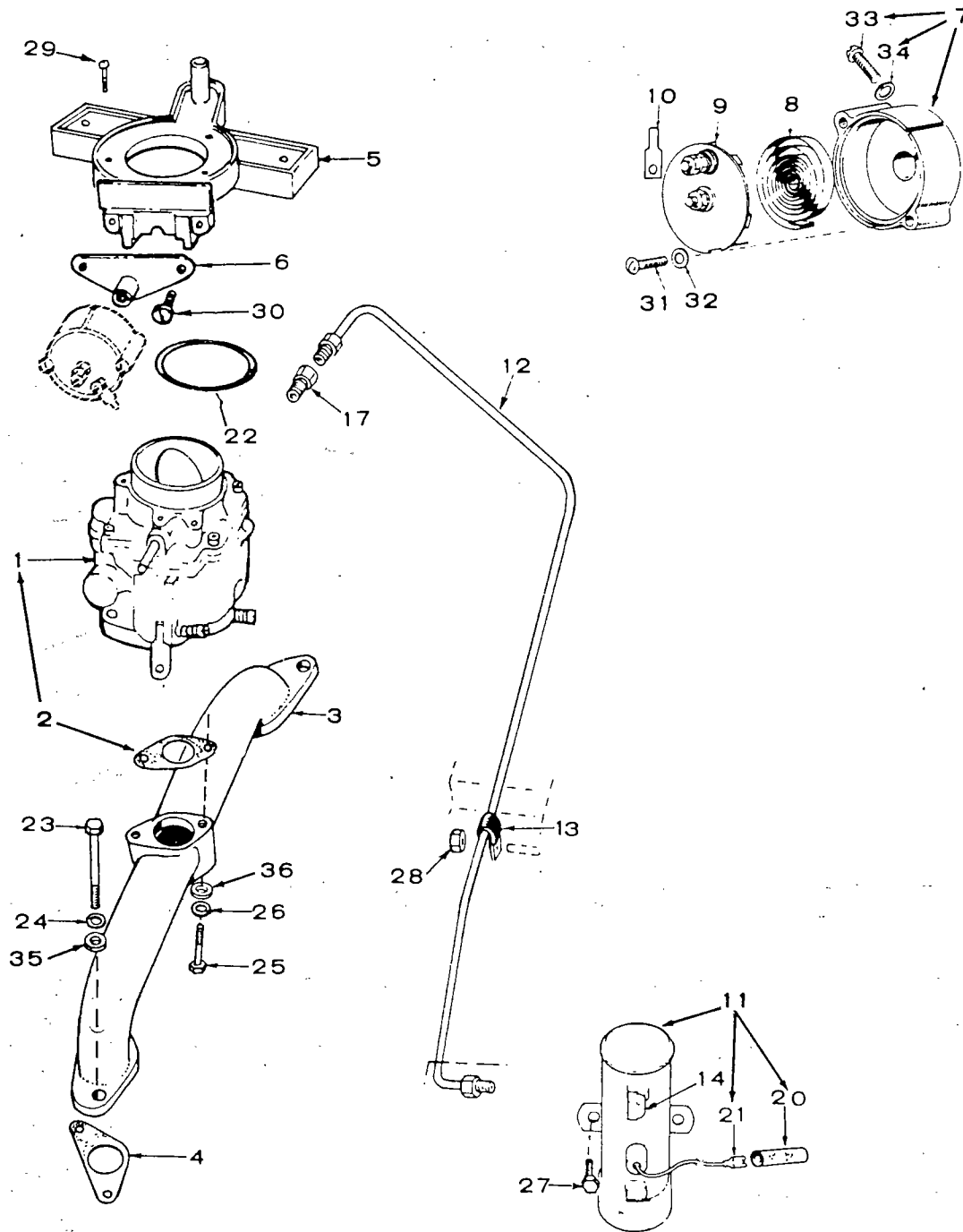


## AIR HOUSING



REF. NO.	PART NO.	QTY. USED	PART DESCRIPTION	REF. NO.	PART NO.	QTY. USED	PART DESCRIPTION
1	134-4095	1	Housing, Blower	9	821-0010	2	Screw, Self-Locking - Hex Head - Cylinder Air Housing Mounting (1/4-20 x 1/2" Lg)
2	517-0021	1	Plug, Button	10	821-0010	4	Screw, Self-Locking - Hex Head - Scroll Backplate Mounting (1/4-20 x 1/2" Lg)
3	134-3617	1	Housing, Cylinder Air (Left Side)	11	821-0010	5	Screw, Cap - HWH (1/4-20 x 1/2" Lg)
4	134-3618	1	Housing, Cylinder Air (Right Side)	12	821-0009	3	Screw, Self-Locking - Hex Head - Scroll Cover Mounting (1/4-20 x 3/8" Lg)
5	134-2761	1	Scroll, Air (Includes Guard)	13	815-0261	6	Screw, Tapping - Hex Head Cylinder Air Housing Mounting (1/4-20 x 7/16" Lg)
6	134-3119	1	Cover, Scroll				
7	134-2747	1	Backplate, Scroll				
8	134-2763	1	Guard, Scroll				

# FUEL SYSTEM (GASOLINE)

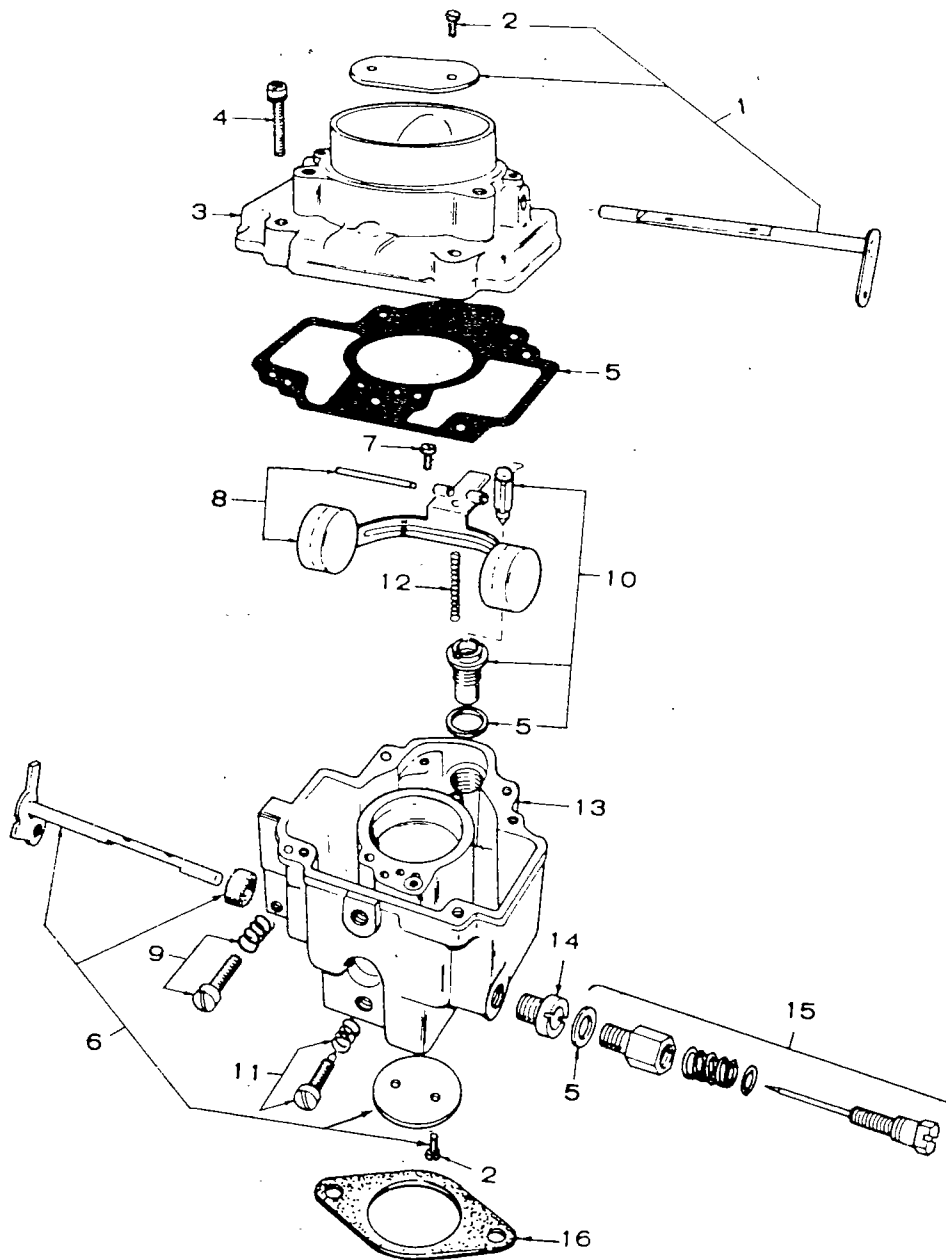


## FUEL SYSTEM (GASOLINE)

REF. NO.	PART NO.	QTY. USED	PART DESCRIPTION
1	146-0308	1	Carburetor (Includes Mounting Gasket) (See Separate Group for Components)
2	154-0733	1	Gasket, Carburetor Mounting
3	154-2292	1	Manifold, Intake
4	154-1483	2	Gasket, Intake Manifold Mounting
5	140-1492	1	Adapter, Air Duct
6	153-0499	1	Adapter, Choke
7	153-0440	1	Housing, Choke (Includes Washer & Screw)
8	153-0017	1	Bi-Metal, Choke
9	ELEMENT AND COVER, CHOKE		
	153-0114	1	24-28 Volts, 25 ohms
	153-0115	1	32-40 Volts, 40 ohms
10	332-0527	1	Terminal, Wire
11	149-1828	1	Pump, Fuel - Electric (See Separate Group for Components (Includes Terminal & Connector)
12	149-1531	1	Line, Fuel Pump to Carburetor
13	518-0350	1	Clamp, Loop - Fuel Line (Insulated)
14	502-0002	1	Elbow, Inverted Male
17	502-0003	1	Connector, Inverted Male
20	332-0556	1	*Connector, Fuel Pump Lead
21	332-1993	1	*Terminal, Fuel Pump Lead
22	509-0145	1	Seal, O-Ring
23	800-0058	4	Screw, Cap - Hex Head (3/8-16 x 3")
24	850-0050	4	Washer, Lock - Spring (3/8")
25	800-0035	2	Screw, Cap - Hex Head (5/16-18 x 2-1/2")
26	850-0045	2	Washer, Lock - Spring (5/16")
27	821-0009	2	Screw, Cap - HWH (1/4-20 x 3/8")
28	862-0015	1	Nut, Hex (5/16-18)
29	804-0017	3	Screw, Cap - Socket Head (#10-32 x 1/2")
30	815-0359	2	Screw, Tapping - Hex with ET (#10-32 x 7/8")
31	815-0285	2	Screw, Machine - Round Head with ET (#8-32 x 5/16")
32	526-0062	2	Washer, Flat - Brass (Special)
33	815-0110	1	Screw, Machine - Fillister Head (#10-32 x 7/8")
34	850-0030	1	Washer, Lock - Spring (#10)
35	526-0030	4	Washer, Flat - (13/32" ID x 7/8" OD x 1/8" Thk)
36	526-0022	1	Washer, Flat (21/64" ID x 9/16" OD x 1/16" Thk)

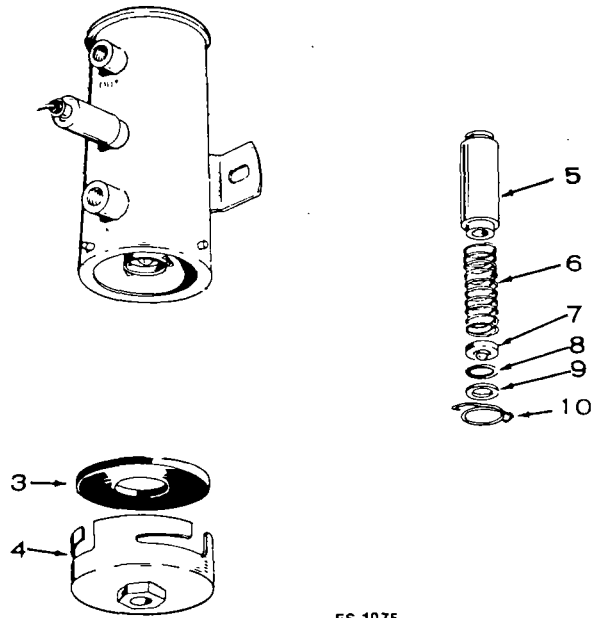
\* - Parts Included in 149-1828 Fuel Pump

## CARBURETOR PARTS (GASOLINE) (ADJUSTABLE MAIN JET)



REF. NO.	PART NO.	QTY. USED	PART DESCRIPTION	REF. NO.	PART NO.	QTY. USED	PART DESCRIPTION
	146-0308	1	Carburetor, Complete (Includes Mounting Gasket)	9	146-0261	1	Idle Speed Adjusting Screw Package
1	146-0265	1	Choke Shaft Package	10	146-0289	1	Valve and Seat Package
2	146-0142	4	Screw, Valve Mounting	11	146-0209	1	Idle Needle Package
3		1	Intake, Air (Not Sold Separately)	12	146-0208	1	Spring, Buoyancy
4	146-0247	4	Screw, Body to Intake	13		1	Body (Not Sold Separately)
5	146-0220	1	Kit, Gasket	14	146-0243	1	Jet, Power
6	146-0267	1	Throttle Shaft Package	15	146-0248	1	Power Needle Package
7	146-0222	1	Screw, Lever Pin	16	154-0733	1	Gasket, Carburetor Mounting
8	146-0262	1	Float Package		146-0290	1	Kit, Repair

## FUEL PUMP PARTS (ELECTRIC)

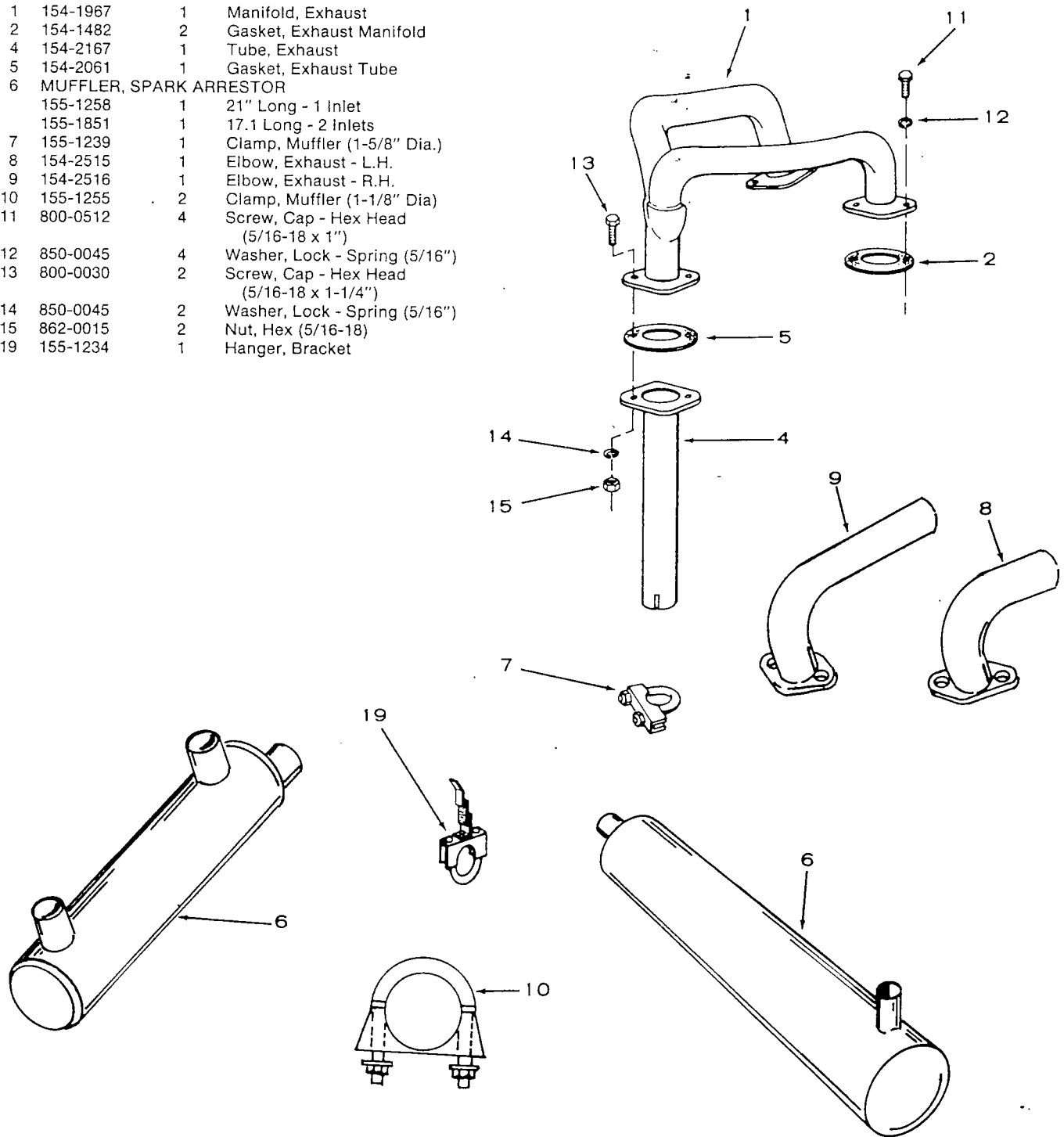


ES-1075

REF. NO.	PART NO.	QTY. USED	PART DESCRIPTION
	149-1828	1	Pump, Fuel (Includes Terminal and Connector)
3	149-1446	1	Gasket, Cover
4	149-1453	1	Cover
5	149-1452	1	Plunger
6	149-0767	1	Spring, Plunger Return
7	149-1451	1	Spring Cup & Valve
8	149-1450	1	Gasket, Spring Cup
9	149-1449	1	Washer, Cup Gasket
10	149-1448	1	Retainer, Cup & Plunger

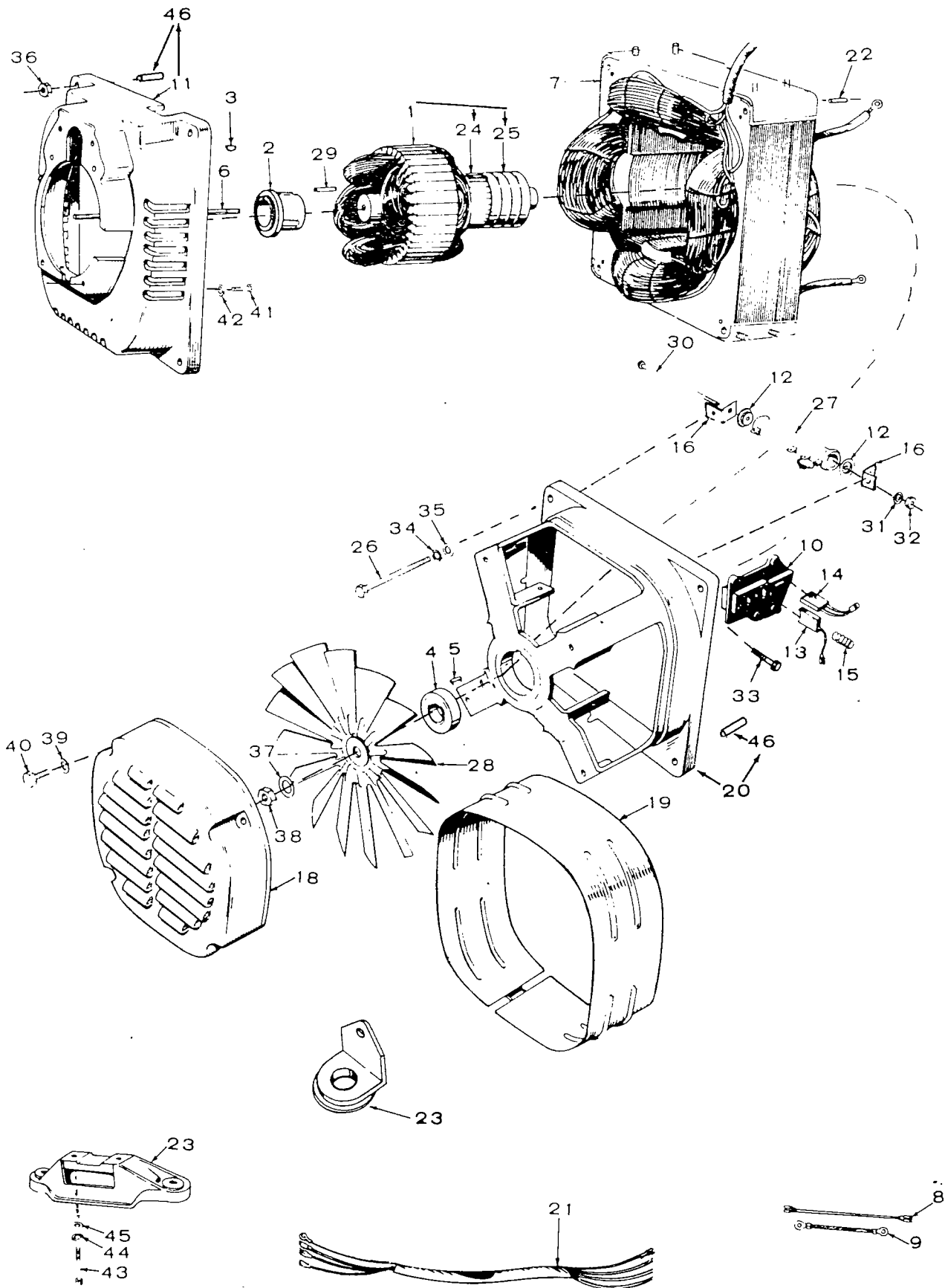
# EXHAUST SYSTEM

REF. NO.	PART NO.	QTY. USED	PART DESCRIPTION
1	154-1967	1	Manifold, Exhaust
2	154-1482	2	Gasket, Exhaust Manifold
4	154-2167	1	Tube, Exhaust
5	154-2061	1	Gasket, Exhaust Tube
6	MUFFLER, SPARK ARRESTOR		
	155-1258	1	21" Long - 1 Inlet
	155-1851	1	17.1 Long - 2 Inlets
7	155-1239	1	Clamp, Muffler (1-5/8" Dia.)
8	154-2515	1	Elbow, Exhaust - L.H.
9	154-2516	1	Elbow, Exhaust - R.H.
10	155-1255	2	Clamp, Muffler (1-1/8" Dia.)
11	800-0512	4	Screw, Cap - Hex Head (5/16-18 x 1")
12	850-0045	4	Washer, Lock - Spring (5/16")
13	800-0030	2	Screw, Cap - Hex Head (5/16-18 x 1-1/4")
14	850-0045	2	Washer, Lock - Spring (5/16")
15	862-0015	2	Nut, Hex (5/16-18)
19	155-1234	1	Hanger, Bracket



**B9**

# GENERATOR



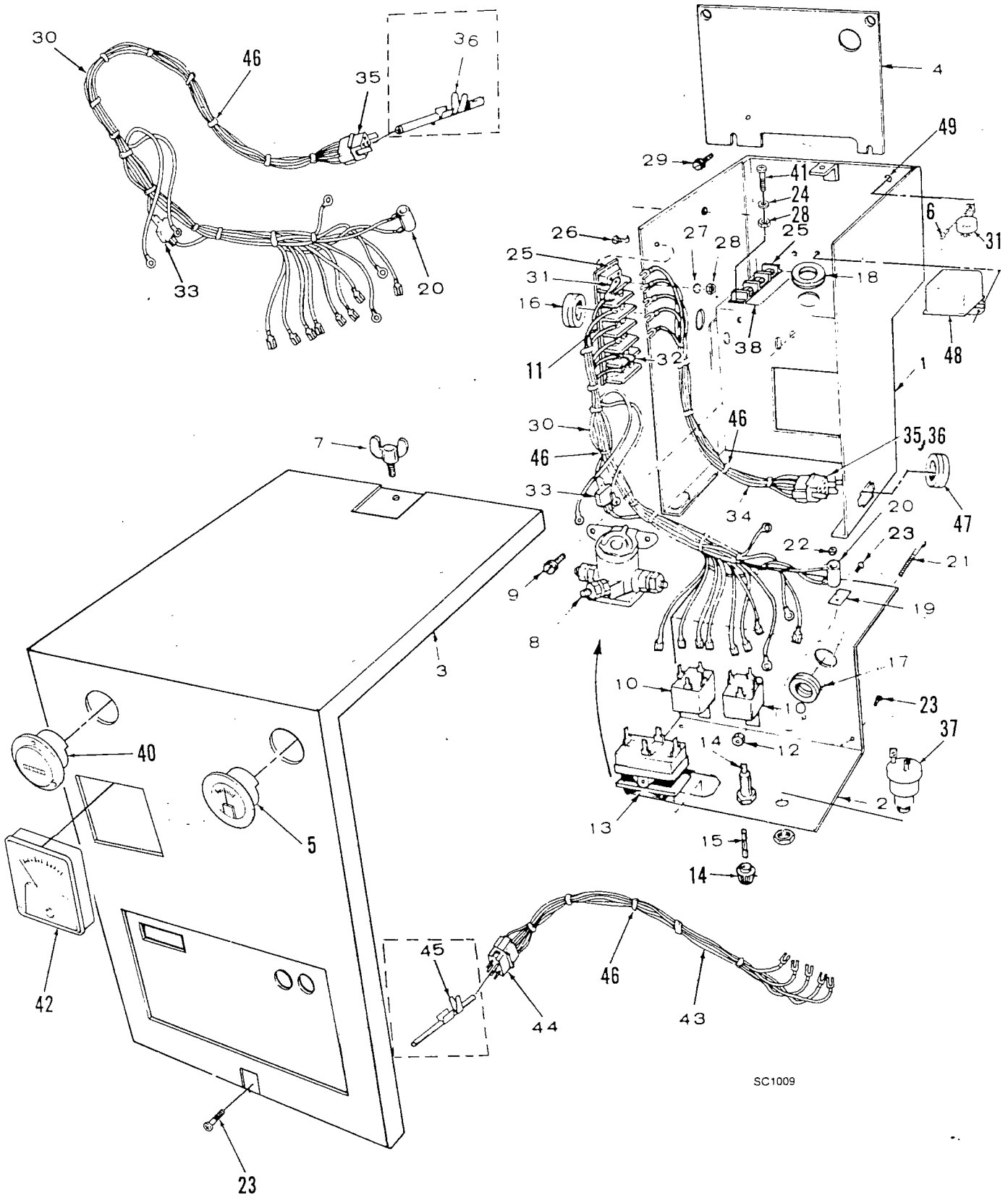
B10



## GENERATOR

REF. NO.	PART NO.	QTY. USED	PART DESCRIPTION	REF. NO.	PART NO.	QTY. USED	PART DESCRIPTION
1	201-2414	1	Rotor Assembly, Wound	24	203-0152	1	Commutator
2	232-2316	1	Hub, Drive	25	204-0110	1	Collector Ring
3	515-0006	1	Key, Rotor to Crankshaft	26	800-0044	4	Screw, Cap - Hex Head (5/16-18 x 7-1/2")
4	510-0047	1	Bearing (Ball), Rotor				
5	232-0596	1	Clip, Bearing Stop	27	RESISTOR, FIXED		
6	520-0733	1	Stud, Rotor Through		353-0071	1	5 Amp Battery Charger
7	220-1816	1	Stator Assembly, Wound		353-0072	1	10 Amp Battery Charger
8	LEAD ASSEMBLY, BRUSH			28	205-0090	1	Fan, Generator
	336-1891	4	Blade Type Terminals (9")	29	515-0007	1	Key, Drive Hub
	336-1890	4	Blade Type and Round Type Terminal (4")	30	812-0118	1	Screw, Machine - Round Head (#10-24 x 5")
9	336-0186	3	Jumper, Ground (3-1/2")	31	850-0030	1	Washer, Lock - Spring (#10)
10	BLOCK, BRUSH			32	860-0011	1	Nut, Hex (#10-24)
	212-0359	2	Bottom & Right Side Positions	33	815-0359	15	Screw, Tapping - Hex Washer Head (#10-32 x 7/8")
	212-0360	2	Top & Left Side Positions				
11	231-0164	1	Adapter, Generator to Engine (Includes 4 Alignment Pins)	34	850-0045	4	Washer, Lock - Spring (5/16")
12	304-0015	2	Washer, Centering Resistor	35	526-0115	4	Washer, Flat (11/32" ID x 11/16" OD x 1/16" Thk)
13	214-0095	4	Brush, Commutator	36	862-0015	4	Nut, Hex (5/16-18)
14	214-0096	8	Brush, Collector	37	850-0055	1	Washer, Lock - Spring (7/16")
15	212-1232	12	Spring, Brush	38	870-0203	1	Nut, Hex (7/16-20)
16	304-0706	2	Bracket, Resistor Mounting	39	850-0040	2	Washer, Lock - Spring (1/4")
18	232-2107	1	Cover, Generator Fan	40	SCREW (1/4-20 x 1-1/2")		
19	234-0362	1	Wrapper, End Bell		815-0441	2	Hex Head, Tapping 5 Amp Battery Charger Round Head
20	BELL, END (Includes 4 Alignment Pins)				812-0156	2	10 Amp Battery Charger
	211-0364	1	5 Amp Battery Charger				
	211-0365	1	10 Amp Battery Charger				
21	HARNES, WIRING			41	800-0050	4	Screw, Cap - Hex Head (3/8-16 x 1")
	338-1709	1	5 Amp Battery Charger				
	338-1332	1	10 Amp Battery Charger	42	850-0050	4	Washer, Lock - Spring (3/8")
22	516-0182	8	Pin, Roll - Generator Frame (1/4 x 3/4")	43	800-0051	2	Screw, Cap - Hex Head (3/8-16 x 1-1/4")
23	402-0475	2	Support, Generator	44	850-0050	2	Washer, Lock - Spring (3/8")
				45	526-0030	1	Washer, Flat (13/32" ID x 7/8" OD x 1/8" Thk)
				46	516-0196	4	Pin, Alignment (.249 Dia. x .862 Lg)

# CONTROL



SC1009

# CONTROL

REF. NO.	PART NO.	QTY. USED	PART DESCRIPTION	REF. NO.	PART NO.	QTY. USED	PART DESCRIPTION
1	301-4634	1	Box, Control	25	BLOCK, TERMINAL		
2	PANEL, CONTROL				332-0699	1	*6 Place
	301-4442	1	5 Amp Battery Charger		332-0254	1	4 Place
	301-9011	1	10 Amp Battery Charger	26	812-0065	2	Screw, Machine - Round Head (#6-32 x 5/8")
3	COVER, CONTROL		(Includes AC Schematics)	27	854-0006	2	Washer, Lock - IT (#6)
	301-8087	1	5 Amp Battery Charger	28	860-0005	4	Nut, Hex (#6-32)
	301-9015	1	10 Amp Battery Charger	29	821-0008	4	Screw, Cap - HWH (1/4-20 x 5/16")
4	PLATE, CONTROL			30	HARNESS WIRING - CONTROL		
	301-8080	1	5 Amp Battery Charger		(Includes Parts Marked *)		
	301-4441	1	10 Amp Battery Charger		338-1697	1	5 Amp Battery Charger
5	302-1360	1	Ammeter (10-0-10)		338-1820	1	10 Amp Battery Charger
			5 Amp Battery Charger		307-1575	1	Relay, 10 Amp Battery Charger
			(Includes Mounting Hardware)	31	307-1575	1	Relay, 10 Amp Battery Charger
6	815-0350	1	Screw, Tapping - Slotted HWH (#10-32 x 3/8")	32	332-1043	2	*Jumper, Terminal Block
7	518-0056	1	Screw, Wing (#10-32 x 1/2")	33	357-0030	1	*Rectifier, Diode
8	307-1617	1	Relay, Start Solenoid	34	338-1078	1	Harness, Wiring - 10 Amp Battery Charger (Includes Parts Marked Δ)
9	821-0008	2	Screw, Cap - HWH (1/4-20 x 5/16")	35	323-0440	1	*ΔHousing, Connector Pin
10	307-1575	2	*Relay, Ignition Crank	36	323-0488	5	ΔPin, Connector - Female
11	332-2103	1	Strip, Marker - Terminal Block	37	308-0788	1	Switch, Ignition - Key Operated
12	870-0131	5	Nut, Hex with ET (#10-32)	38	STRIP, TERMINAL BLOCK MARKER		
13	308-0383	1	Switch, Start-Stop		332-0603	1	5 Amp Battery Charger
14	HOLDER, FUSE				332-2313	1	10 Amp Battery Charger
	321-0175	1	10 Amp Battery Charger	40	302-0787	1	Meter, Time Totalizing
	321-0175	2	5 Amp Battery Charger	41	812-0066	2	Screw, R H (#6-32 x 3/4")
15	FUSE			42	302-0551	1	Voltmeter, AC (0-300)
	321-0174	2	5 Ampere	43	HARNESS, WIRING - REMOTE (Includes Parts Marked %)		
	321-0146	1	10 Ampere		338-1821	1	45 Ft.
16	508-0208	1	Bushing, Insulating - Nylon (3/4" Hole)	44	323-0400	1	%Housing, Connector Pin
17	331-0088	1	Bushing, Insulating	45	323-0500	5	%Pin, Connector - Male
18	508-0191	1	Bushing, Insulating - Nylon (7/8" Hole)	46	TIE, CABLE		
19	304-0580	1	Insulator, Resistor Mounting		332-0942	6	ΔUse on Harness 338-1078
20	352-0161	1	*Resistor (100 Ohm, 5 Watt)		332-0942	16	*Use on Harness 338-1691 & 338-1820
21	812-0087	1	Screw, Machine - Round Head (#8-32 x 1-1/2")	47	508-0021	1	Grommet, Rubber
22	870-0221	2	Nut, Hex with ET (#8-32)	48	305-0383	1	Regulator, Voltage
23	821-0004	5	Screw, Cap - Hex Head (#10-32 x 5/16")	49	331-0102	1	Bushing, Snap - 5 Amp Battery Charger
24	853-0003	2	Washer, Lock - ET (#6)				

\* - Parts Included in 338-1697, 338-1820

Δ - Parts Included in 338-1078 Wiring Harness

% - Parts Included in 338-1821 Wiring Harness