

Onan

RV GenSet

Parts Manual

NHE/NHEL

Emerald III



Printed U.S.A.

940-0228
3-98 (Spec D-P)
Replaces 5-95 (Spec D-M)

MODEL IDENTIFICATION

To avoid errors or delay in filling your parts order, always give the MODEL, SPEC NO. and SERIAL NO. from the Onan nameplate.

For handy reference, insert your nameplate information in the spaces below.

MODEL AND SPEC NO.

SERIAL NO.

DIGITAL CONTROL SOFTWARE VERSION
AND DATE (IF APPLICABLE)

SAFETY PRECAUTIONS

The following symbols are used in Onan manuals to alert users to the potentially dangerous conditions relating to maintenance of equipment and replacement of parts. Please read and observe.



This symbol warns of immediate hazards which will result in severe personal injury or death.



This symbol refers to a hazard or unsafe practice which can result in severe personal injury or death.



This symbol refers to a hazard or unsafe practice which can result in severe personal injury or product or property damage.

PRODUCT SAFETY PRECAUTIONS



Service and repair of Onan equipment must be performed by trained, experienced personnel only. Improper service or repair may result in property damage, severe personal injury or death. Do not use this catalog as a guide to servicing your equipment. Read and follow the IMPORTANT SAFETY INSTRUCTIONS in the Service Manual appropriate for the equipment you are working on.



Contact with USED ENGINE OILS has been identified by a United States federal agency and some USA state agencies as causing CANCER or REPRODUCTIVE TOXICITY. When checking or changing engine oils take all necessary precautions not to ingest, breathe the fumes or contact the used oil.



Contact with ASBESTOS has been identified by a United States federal agency and some USA state agencies as causing CANCER or REPRODUCTIVE TOXICITY. When handling engine gaskets take all necessary precautions not to ingest, breathe or contact the dust from the gaskets! Use adequate ventilation and wear protective gloves, masks and clothing!



Contact with BENZINE and LEAD, found in gasoline, fuel additives and solvents has been identified by a United States federal agency and some USA state agencies as causing CANCER or REPRODUCTIVE TOXICITY. When checking, draining or adding gasoline and fuel additives or using solvents take all necessary precautions not to ingest, breathe the fumes or contact the liquids. Use adequate ventilation and wear protective gloves, masks and protective clothing!

Introduction

This catalog applies to the Standard NHE/NHEL Recreational Vehicle Generator Sets as listed in the Generator Set Data Table. Parts are arranged in groups of related items and each illustrated part is identified by a reference number corresponding to the same reference number in the parts list. Unless otherwise mentioned in the description, parts are interchangeable between models. Parts illustrations are typical. Using the model and specification number from your generator set nameplate, select parts that apply to your set. Right and Left sides are determined by Facing the engine (front) end of the set.

Generator Set Data Table

<u>Model</u>	<u>Mounting Location</u>	<u>Volts</u>	<u>Hertz</u>	<u>Wire</u>	<u>Carburetion</u>
5.0NHE-FN/11442	Above Floor	120/240	50	3	LP Vapor
5.0NHE-FN/29236	Above Floor	115/230	50	3	Gasoline
5.0NHE-FN/29237	Below Floor	115/230	50	3	Gasoline
5.0NHE-FN/31813	Above Floor	115/230	50	3	LP Liquid
5.0NHE-FN/31814	Below Floor	115/230	50	3	LP Liquid
5.0NHE-FP/29236	Above Floor	120/240	50	4	Gasoline
5.0NHE-FP/29237	Below Floor	120/240	50	4	Gasoline
5.0NHE-53CR/29236	Above Floor	120/240	50	4	Gasoline
5.0NHE-53CR/29237	Below Floor	120/240	50	4	Gasoline
5.0NHEL-53CR/31813	Above Floor	120/240	50	4	LP Liquid
5.0NHEL-53CR/31814	Below Floor	120/240	50	4	LP Liquid
6.3NHE-FA/26110	Above Floor	120	60	2	LP Liquid
6.3NHE-FA/26111	Below Floor	120	60	2	LP Liquid
6.3NHE-FA/26120	Above Floor	120	60	2	LP Vapor
6.3NHE-FA/54174	Below Floor	120	60	2	LP Liquid
6.3NHE-FA/54874	Above Floor	120	60	2	LP Liquid
6.3NHEL-1R/26110	Above Floor	120	60	2	LP Liquid
6.3NHEL-1R/26111	Below Floor	120	60	2	LP Liquid
6.5NHE-FA/26100	Above Floor	120	60	2	Gasoline
6.5NHE-FA/26101	Below Floor	120	60	2	Gasoline
6.5NHE-1R/26100	Above Floor	120	60	2	Gasoline
6.5NHE-1R/26101	Below Floor	120	60	2	Gasoline

* – The diagonal line (/) in the model and specification number separates generator set characteristics from the specification number and letter. The specification number denotes customer requested options or deviations from a standard (1A, 1B, etc.) model. The specification letter advances (A to B, B to C, etc.) with major manufacturing changes.

Index

- Adapter, Above Floor Exhaust, **43**
- Adapter, Air Cleaner, **17, 21**
- Adapter, Below Floor Flange Type Exhaust, **45**
- Adapter, Carburetor, **24, 41**
- Adapter, Fuel Hose, **19**
- Adapter, Generator, **47**
- Adapter, LP Vapor Air Cleaner, **23**
- Adapter, Oil Filter, **13**
- Adapter, Preheater, **17**
- Arm, Governor, **12**

- Backplate, Scroll, **39**
- Baffle, Preheater, **17**
- Ball, Governor, **11**
- Ball, Governor Bearing, **12**
- Base, Breaker Box, **33**
- Base, Oil, **15, 17**
- Bearing, Camshaft, **9**
- Bearing, Connecting Rod Half, **9**
- Bearing, Crankshaft, **7**
- Bearing, Front Crankshaft, **9**
- Bearing, Generator Ball, **47**
- Bearing, Governor Needle, **12**
- Bi-Metal, Choke, **17**
- Block, Cylinder, **7, 9**
- Block, Generator Brush, **47**
- Block, Terminal, **49**
- Block, with Terminal, **47**
- Board, PC, **49**
- Bowl, Fuel, **30**
- Box, Breaker, **32, 33**
- Brace, Rear, **41**
- Brace, Side, **41**
- Bracket, Above Floor Exhaust, **43**
- Bracket, Above Floor Exhaust Flange, **43**
- Bracket, Above Floor Muffler, **43**
- Bracket, Below Floor Exhaust, **45**
- Bracket, Diaphragm Mounting, **17**
- Bracket, Fuse Holder, **49**
- Bracket, Gas Regulator, **25**
- Bracket, Governor, **37**
- Bracket, Governor Adjust Cable, **37**
- Bracket, Housing, **41**
- Bracket, Housing Mounting, **17, 21**
- Bracket, Ignition Coil, **31**
- Bracket, Ignition Control, **31**
- Bracket, Lifting, **39**
- Bracket, LP Liquid Filter Mounting, **21**
- Bracket, LP Liquid Fuel Line, **21**
- Bracket, LP Vapor Housing Mounting, **23**
- Bracket, LP Vapor Regulator, **23**
- Bracket, Regulator – Gas, **24**
- Bracket, Relay, **21**
- Bracket, Support, **41**
- Breaker, Circuit, **49**
- Bridge, Rectifier, **47**
- Brush, Generator, **47**
- Bushing, Governor, **11**
- Bushing, Piston Pin, **9**
- Bushing, Reducer, **21**
- Bypass, Breather Tube, **58**

- Cable, Governor Adjust, **37**
- Cable, Spark Plug, **31, 32**
- Camshaft, **11**
- Cap, Drive, **36**
- Cap, Drive End, **35**

- Cap, End, **35**
- Cap, Oil Fill Indicator, **15**
- Cap, Valve Roto, **7**
- Cap, Vinyl, **17**
- Carburetor, **17**
- Carburetor Conversion Kit, **59**
- Carburetor, Gasoline (Spec A–J), **26**
- Carburetor, LP, **30**
- Carburetor, LP Liquid, **21**
- Carburetor, LP Vapor, **23**
- Carburetor, LPG (Emissions), **25**
- Coil, Battery Ignition, **31**
- Coil, Ignition, **32**
- Components, Gasoline Carburetor (Spec A–J), **26**
- Components, Gasoline Carburetor (Spec K, L), **28, 29**
- Components, LP Carburetor, **30**
- Components, Starter, **35, 36**
- Condenser, Ignition, **32, 33, 47**
- Connector, **31**
- Connector, Conduit, **47**
- Connector, Fuel Shutoff Valve Male, **21**
- Connector, Hose, **23, 24**
- Connector, Inverted Flare Male, **17**
- Control, **49**
- Control, Ignition, **31**
- Control, Remote Start, **50**
- Conversion, LPG System Field, **24**
- Cover, Air Inlet, **17**
- Cover, Breaker Box, **33**
- Cover, Breather, **7**
- Cover, Brush Block, **47**
- Cover, Choke Housing, **17**
- Cover, Control, **49**
- Cover, Switch, **49**
- Cover, Valve, **7**
- Crankshaft, **10**
- Cup, Governor, **11**
- Cup, Oil Pump Intake, **15**

- Decal, Warning, **41**
- Diode, Remote Control, **50**
- Drain, Oil Filter, **13**

- Elbow, 90 Degree Street, **23**
- Elbow, Fuel Pump, **17**
- Elbow, Gasoline Carburetor, **17**
- Elbow, LP Liquid Exhaust Manifold, **21**
- Elbow, Regulator, **21**
- Elbow, Regulator Reducing, **21**
- Elbow, Street, **24**
- Element, Air Cleaner, **17, 21**
- Element, LP Liquid Fuel Filter, **21**
- Element, LP Vapor Air Cleaner, **23**
- Exhaust, Above Floor Models, **43**
- Exhaust, Below Floor, **45**

- Fan, Armature, **47**
- Filter, Breather Tube, **7**
- Filter, Fuel, **17**
- Filter, LP Liquid, **21**
- Filter, Oil, **13**
- Filter, Spin-on Oil, **13**
- Fitting, Intake Manifold Vacuum, **17**
- Flywheel, **10**
- Fuel System (LPG) Field Conversion, **25**
- Fuel System, Gasoline, **17, 19**
- Fuel System, LP Liquid, **21**

Index

- Fuel System, LP Vapor, **23**
- Fuse, PCB #3 Wiring Harness, **57**
- Fuse, Slo Blow, **49**

- Gasket, Above Floor Exhaust, **43**
- Gasket, Above Floor Exhaust Manifold, **43**
- Gasket, Adapter – Air Intake, **24**
- Gasket, Air Horn, **17**
- Gasket, Airhorn, **25**
- Gasket, Bearing Plate, **7**
- Gasket, Below Floor Exhaust, **45**
- Gasket, Below Floor Exhaust Manifold, **45**
- Gasket, Bowl, **30**
- Gasket, Breaker Box, **33**
- Gasket, Carburetor, **25**
- Gasket, Carburetor Mounting, **17**
- Gasket, Cylinder Head, **7**
- Gasket, Gearcase Mounting, **12**
- Gasket, Intake Manifold, **19**
- Gasket, Intake Valve, **7**
- Gasket, LP Liquid Air Horn, **21**
- Gasket, LP Liquid Carburetor Mounting, **31**
- Gasket, LP Liquid Intake Manifold, **21**
- Gasket, LP Vapor Air Horn, **23**
- Gasket, LP Vapor Carburetor Mounting, **23**
- Gasket, LP Vapor Intake Manifold, **23**
- Gasket, Oil Base, **15**
- Gasket, Oil Drain, **15**
- Gasket, Oil Filter Adapter, **13**
- Gasket, Plate, **31**
- Gasket, Valve Cover, **7**
- Gear, Armature, **47**
- Gear, Camshaft, **11**
- Gear, Crankshaft, **10**
- Gearcase, **12**
- Gearcase Kit, **12**
- Generator, **47**
- Governor, **37**
- Grommet, Nylon, **47**
- Grommet, Rubber, **41**
- Guard, Scroll, **39**
- Guide, Valve, **7**

- Hanger, Above Floor Exhaust, **43**
- Hanger, Below Floor Exhaust Pipe, **45**
- Harness, AC Outlet Wiring, **49**
- Harness, Battery Charge, **47**
- Harness, Fuel Pump, **17**
- Harness, Ignition Relay, **21, 53**
- Harness, PCB #1, **55**
- Harness, PCB #3, **56, 57**
- Harness, PCB Wiring, **49**
- Harness, Remote Wiring, **51**
- Harness, Voltage Regulator Wiring, **49**
- Head, Cylinder, **7**
- Holder, Fuse, **49**
- Holder, PCB #3 Wiring Harness Fuse, **57**
- Hose, Choke Vacuum, **17**
- Hose, Fuel, **24, 25**
- Hose, Gasoline Fuel, **19**
- Hose, LP Liquid Fuel, **21**
- Hose, Lp Vapor Fuel, **23**
- Hose, LP Vapor Oil (Vent), **23**
- Hose, Oil (Vent), **24, 25**
- Hose, Preheater, **17**
- Housing, Air, **39**
- Housing, Air Cleaner, **17, 21**

- Housing, Air Cylinder, **39**
- Housing, Below Floor, **41**
- Housing, Choke, **17**
- Housing, LP Vapor Air Cleaner, **23**
- Housing, Stator, **47**
- Hub, Governor Cup, **11**

- Ignition, Electronic, **31**
- Insert, Valve Seat, **7**
- Insulator, Fuse, **49**
- Insulator, PC Board, **49**
- Insulator, Start Solenoid, **49**
- Isolator, Vibration, **15**

- Jet, High Altitude, **26**
- Jet, Idle (Spec A–J), **26**
- Jet, Idle (Spec K, L), **29**
- Jet, Main (Spec K, L), **29**
- Jet, Power (Spec A–J), **26**
- Joint, Governor Rod Ball, **37**

- Key, Camshaft, **11**
- Key, Crankshaft Gear, **10**
- Kit Assembly, Drive, **36**
- Kit, Blower Wheel Key, **10**
- Kit, Carburetor (Spec A–J), **26**
- Kit, Carburetor Repair (Spec A–J), **26**
- Kit, Choke Bimetal (Spec K, L), **29**
- Kit, Choke Breaker (Spec K, L), **29**
- Kit, Choke Shaft (Spec K, L), **29**
- Kit, Conversion, **25**
- Kit, Conversion – LP, **24**
- Kit, Electronic Ignition, **32**
- Kit, Engine Gasket, **9**
- Kit, Float (Spec A–J), **26**
- Kit, Float (Spec K, L), **29**
- Kit, LP Accessory, **25**
- Kit, Oil Pump Gasket, **9**
- Kit, Piston, **7**
- Kit, Piston Ring, **9**
- Kit, Remote Control, **50**
- Kit, Repair (Spec K, L), **29**
- Kit, Starter Drive, **35**
- Kit, Vacuum Sustain (Spec K, L), **29**
- Kits, Gasket, **59**

- Label, Kit Number, **25**
- Label, LP Kit, **24**
- Label, LPG Fuel, **24**
- Label, LP Kit, **25**
- Labels, **59**
- Lead, Resistor, **47**
- Lever, Throttle Shaft, **30**
- Line, Gasoline Fuel, **17**
- Line, Lp Liquid, **21**
- Link, Governor Spring, **12**
- Linkage, Choke, **17**
- Linkage, Pulloff, **17**
- Lock, Valve Spring, **7**

- Manifold, Above Floor Exhaust, **43**
- Manifold, Below Floor Exhaust, **45**
- Manifold, Intake, **19**
- Manifold, LP Liquid Exhaust, **21**
- Manifold, LP Liquid Intake, **21**
- Manifold, LP Vapor Exhaust, **23**
- Manifold, LP Vapor Intake, **23**

Index

- Meter, Battery Condition, **50**
- Meter, Time Totalizing, **50**
- Muffler, Above Floor Spark Arrestor, **43**
- Muffler, Below Floor Spark Arrestor, **45**

- Needle, Idle Adjust, **30**
- Nipple, Fuel Shutoff Close, **21**
- Nipple, Pipe, **23**
- Nipple, Pipe, **24**

- O'Ring, Oil Fill Cap, **15**
- O'Ring, Stator Housing, **47**

- Paint, **59**
- Pan, Below Floor Drip, **41**
- Pan, Breather, **7**
- Pan, Drip, **15**
- Panel, Control, **50**
- Panel, Housing, **41**
- Panel, Remote Control, **50**
- Pin, Camshaft Center, **11**
- Pin, Drive – Bearing Stop, **7**
- Pin, Gear Cover Alignment, **9**
- Pin, Governor Cup Stop Dowel, **12**
- Pin, Hinge, **41**
- Pin, Piston, **7**
- Plate, Bearing – Rear, **7**
- Plate, Hinge, **41**
- Plate, Ignition Plunger Cover, **31**
- Plate, Throttle, **30**
- Plug, Air Cleaner Cover Button, **17**
- Plug, Air Housing Dot Button, **39**
- Plug, Bowl, **30**
- Plug, Cylinder Block Core Hole, **9**
- Plug, Head – Square, **24**
- Plug, Hix Pipe, **21**
- Plug, Hole, **49**
- Plug, Intake Manifold Pipe, **17**
- Plug, LP Vapor Intake Manifold Hex Pipe, **23**
- Plug, Oil Drain, **15**
- Plug, Spark, **31, 32**
- Plug, Square Head, **23**
- Plug, Vacuum Port, **7**
- Plug, Welch – Camshaft, **7**
- Plunber, Breaker Points, **33**
- Plunger, Bypass Valve, **7**
- Point, Breaker, **33**
- Potentiometer, **49**
- Pulloff, Choke, **17**
- Pump, Electric Fuel, **17**
- Pump, Oil, **9**

- Rectifier, PCB #3 Wiring Harnes, **57**
- Rectifier, Silicon, **53**
- Reed, Breather Valve, **7**
- Regulator, Gas, **24, 25**
- Regulator, LP Liquid, **21**
- Regulator, LP Vapor, **23**
- Regulator, Voltage, **49**
- Relay, LP Liquid Ignition, **21**
- Relay, PCB #3 Wiring Harness, **57**
- Resistor, Battery Charger, **47**
- Resistor, Gasoline Fuel Pump, **47**
- Resonator, Above Floor Exhaust, **43**
- Retainer, Governor Bracket Pushon, **37**
- Ring, Armature Collector, **47**
- Ring, Camshaft Retaining, **11**
- Ring, Crankshaft Retaining, **10**
- Ring, Retaining, **7**
- Ring, Tolerance, **47**
- Rod, Air Inlet, **17**
- Rod, Connecting, **9**
- Rod, Governor Arm, **37**
- Rod, Throttle, **37**
- Rotor Assembly, Ignition, **31**
- Rotor, Wound, **47**
- Rubber Dust Seal, **30**

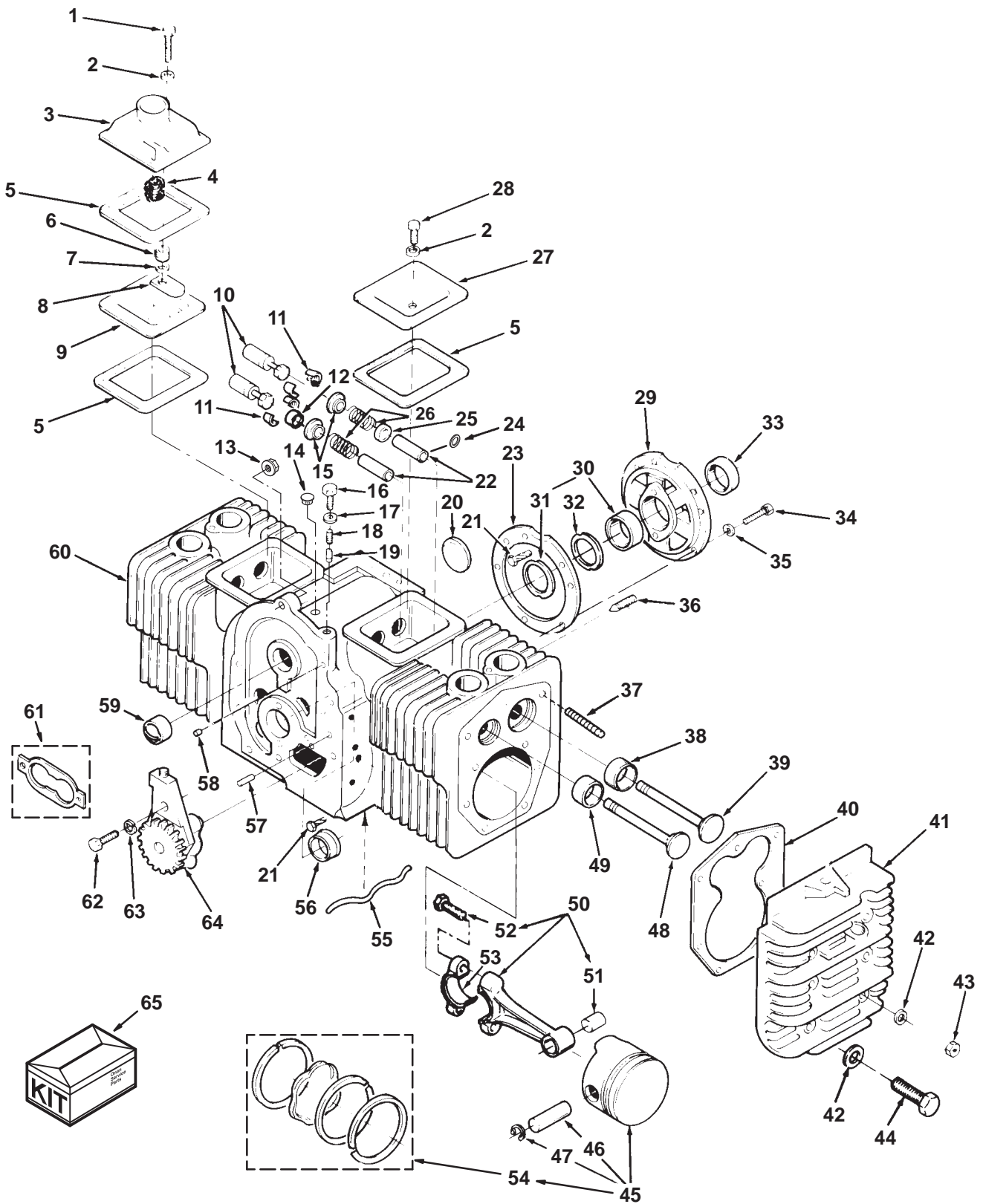
- Scroll, Air Housing, **39**
- Seal, Crankshaft Oil, **12**
- Seal, Dust, **30**
- Seal, Governor Shaft Oil, **12**
- Seal, Intake Valve Oil, **7**
- Seal, Oil – Crankshaft Rear, **7**
- Sealant, Thread, **59**
- Shaft, Governor, **12**
- Shield, Noise, **39**
- Shim, Crankshaft, **7**
- Snubber, **15**
- Solenoid, Start, **49**
- Solenoid, Vapor – LP, **24**
- Solenoid, Lp Vapor, **23**
- Spacer, Above Floor Muffler, **43**
- Spacer, Pump Mounting, **19**
- Spacer, Regulator Adapter, **21**
- Spring, Breather Valve, **7**
- Spring, Bypass, **17**
- Spring, Bypass Valve, **7**
- Spring, Compression, **37**
- Spring, Generator Brush, **47**
- Spring, Governor, **37**
- Spring, Idle Needle, **12, 30**
- Spring, Main Jet Screw, **30**
- Spring, Regulator Adapter, **21**
- Spring, Throttle Stop, **30**
- Spring, Valve, **7**
- Starter, **34**
- Strap, Above Floor Muffler, **43**
- Strap, Ground, **15, 39**
- Stud, Long Extended Shaft, **47**
- Suppoort, Housing, **41**
- Support, Hing, **41**
- Support, Housing, **41**
- Switch, Low Oil Pressure, **13**
- Switch, Rocker, **49, 50**
- System, Ignition, **32**

- Tappet, Valve, **7**
- Terminal, Lp Vapor, **23**
- Tube, Above Floor Exhaust, **43**
- Tube, Breather, **17, 58**
- Tube, Choke Housing, **17**
- Tube, Cylinder Block Oil, **9**
- Tube, Idle, **30**
- Tube, LP Liquid Breather, **21**
- Tube, LP Vapor Breather, **23**

- Valve, Exhaust, **7**
- Valve, Fuel Shutoff, **25**
- Valve, Intake, **7**
- Valve, LP Liquid Fuel Shutoff, **21**
- Valve, Rear Drain Shutoff, **15**

- Yoke, Governor, **12**

Cylinder Block

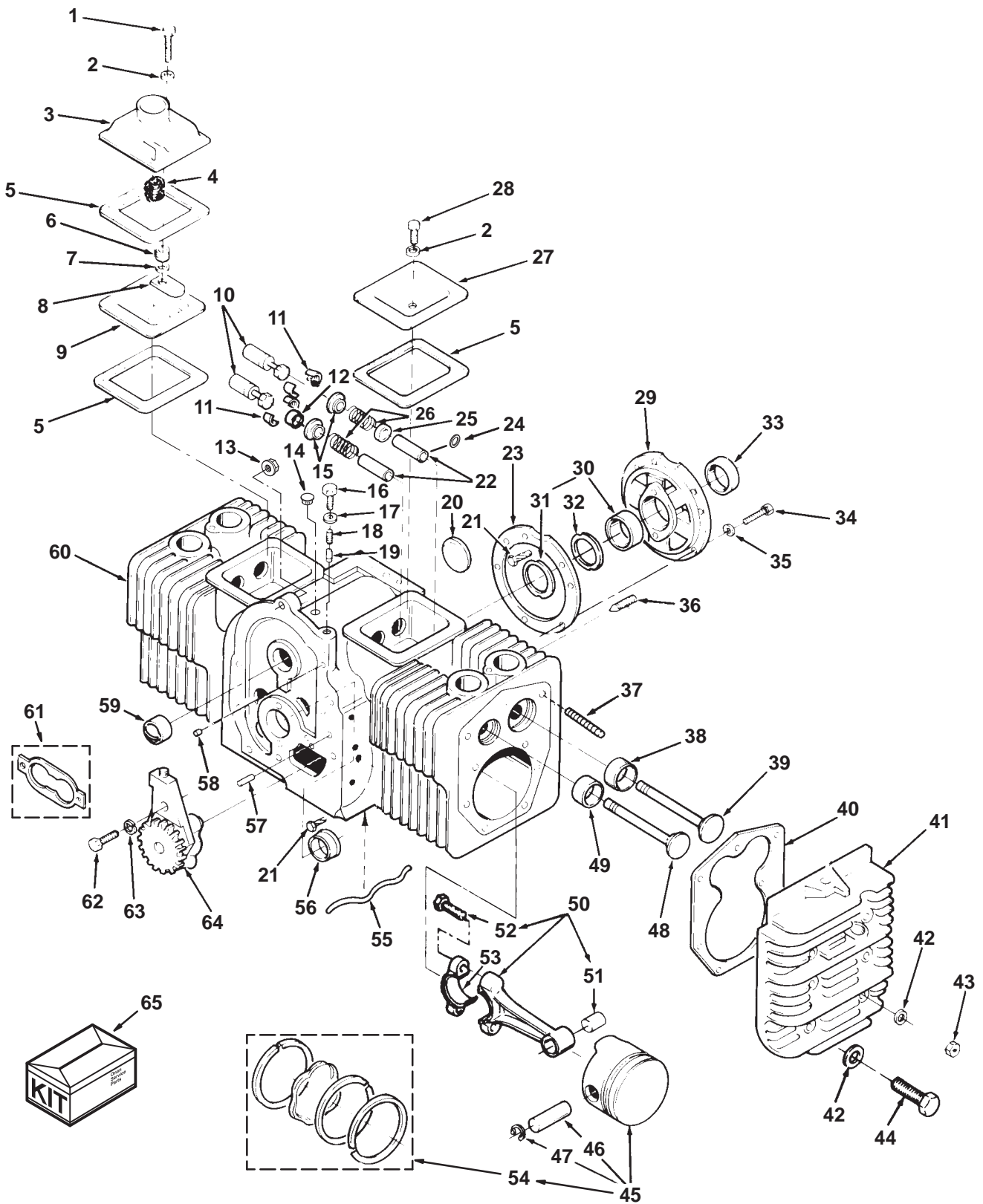


Cylinder Block

REF NO.	PART NO.	QTY USED	PART DESCRIPTION	REF NO.	PART NO.	QTY USED	PART DESCRIPTION
1	800-0013	1	Screw, Hex Head Cap	35			*Washer
2	526-0018	2	Washer, Copper Flat (1/4" Screw)	850-0050	5		Lock (3/8") (Spec D-H)
3	123-1654	1	Cover, Breather	526-0402	5		Flat - Begin Spec J (.395")
4	123-1871	1	Filter, Breather Tube	36	803-0071	2	Screw, Set Socket (3/8-16 x 5/8")
5	110-3575	3	Gasket, Valve Cover	37			*Stud, Cylinder Head Mounting
6	123-1174	1	Spring, Breather Valve	520-0919	8		3/8 x 2-19/32" (Install 4 Bottom Holes - RH, LH Heads)
7	526-0018	1	Washer, Flat (1/4" Screw)	520-0876	4		3/8 x 2-3/4" (Install 2 Top Holes - RH, LH Heads)
8	123-1175	1	Reed, Breather Valve	520-0918	8		3/8 x 3" (Install 4 Middle Holes - RH, LH Heads)
9	123-1653	1	Pan, Breather	38	110-3461	2	*Insert, Intake Valve Seat Standard
10	115-0006	4	Tappet, Valve Standard	39	110-1718	2	Valve, Intake
	115-0006-02	4	.002" Oversize	40	110-2987	2	Gasket, Cylinder Head Graphoil
	115-0006-05	4	.005" Oversize	41	110-3549	2	Head, Cylinder
11	110-0639	8	Lock, Valve Spring	42	526-0250	20	Washer, Flat (3/8" Screw)
12	110-0893	2	Washer, Spring Retainer	43	104-0091	20	Nut, Hex (Special) LP, Spec D
			Exhaust Valve (Special) Gasoline	44	800-0590	20	Screw, Hex Head Cap (Special) Gasoline Models
13	870-0257	1	Nut, Self-Locking Hex Governor Bracket (5/16-18)	45			Kit, Piston (Includes Pin, Rings and Retaining Rings)
14	517-0103	1	*Plug, Vacuum Port	112-0265	2		Standard
15			Cap, Valve Roto	112-0265-05	2		.005 Oversize
	110-0904	2	Exhaust - NHE	112-0265-01	2		.010 Oversize
	110-0904	4	Intake/Exhaust - NHEL	112-0265-02	2		.020 Oversize
16	801-0050	1	Screw, Hex Head Cap (3/8-24 x 1")	112-0265-03	2		.030 Oversize
17	526-0066	1	Washer, Copper Flat (3/8" Screw)	46			Pin, Piston
18	120-0140	1	Spring, Bypass Valve	112-0069	2		Specs D-H
19	120-0398	1	Plunger, Bypass Valve	112-0268	2		Begin Spec J
20	517-0048-01	1	*Plug, Camshaft Opening Welch (1-5/8")	47	518-0294	4	Ring, Retaining Specs D-H
21	516-0072	2	*Pin, Bearing Stop Drive	112-0267	4		Begin Spec J
22			*Guide, Valve	48	110-1719	2	Valve, Exhaust LP Engines
	110-3167	2	Exhaust	49	110-1761	2	Gasoline Engines
	110-3168	2	Intake				Insert, Exhaust Valve Seat Spec D, E
23	101-0782	1	*Gasket, Bearing Plate	110-1716	2		* Standard
24	110-0068	2	*Gasket, Intake Valve Guide	110-1716-02	2		.002" Oversize
25	110-3604	2	Seal, Intake Valve Oil	110-1716-05	2		.005" Oversize
26	110-0539	4	Spring, Valve	110-1716-10	2		.010" Oversize
27	110-1624-01	1	Cover, RH Valve	110-1716-25	2		.025" Oversize
28	800-0011	1	Screw, Hex Head Cap (1/4-20 x 2")	110-3462	2		* Standard
29	101-0439	1	*Plate, Rear Bearing	110-3462-01	2		.002" Oversize
30			Bearing, Crankshaft (Includes Thrust Washer)	110-3462-02	2		.005" Oversize
	101-0450	1	*Standard	110-3462-03	2		.010" Oversize
	101-0450-02	1	.002" Undersize	110-3462-04	2		.025" Oversize
	101-0450-10	1	.010" Undersize				Begin Spec G
	101-0450-20	1	.020" Undersize				* Standard
	101-0450-30	1	.030" Undersize				.002" Oversize
31	104-0575	1	*Washer, Thrust (Special)				.005" Oversize
32	104-0776	AR	*Shim, Crankshaft (.005")				.010" Oversize
33	509-0041	1	Seal, Crankshaft Rear Oil				.025" Oversize
34			*Screw, Cap				
	800-0575	5	Flanged Head (Special) (Spec D-H)				
	800-0051	5	Hex Head (3/8-16 x 1-1/4") Begin Spec J				

* - Parts Included in Cylinder Block.

Cylinder Block

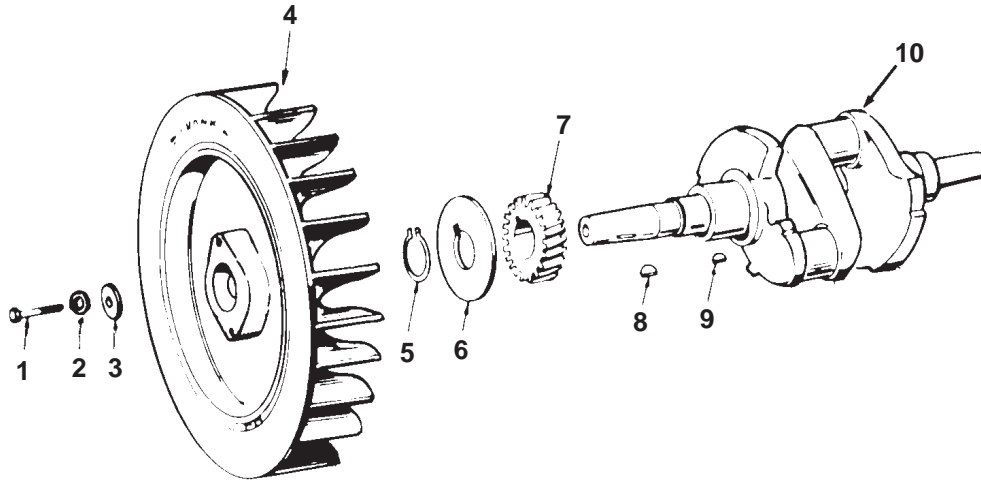


Cylinder Block

REF NO.	PART NO.	QTY USED	PART DESCRIPTION	REF NO.	PART NO.	QTY USED	PART DESCRIPTION
50	114-0203	2	Rod, Connecting (Includes Bolts and Bushing)	56			Bearing, Front Crankshaft Flanged
51	114-0036	1	Bushing, Piston Pin	101-0432	1	*	Standard
52	805-0010	4	Bolt, Connecting Rod Place (Special)	101-0432-02	1		.002" Undersize
53			Bearing, Connecting Rod Half	101-0432-10	1		.010" Undersize
	114-0188	4	Standard	101-0432-20	1		.020" Undersize
	114-0188-02	4	.002" Undersize	101-0432-30	1		.030" Undersize
	114-0188-10	4	.010" Undersize	57 516-0141	2		*Pin, Gear Cover Alignment
	114-0188-20	4	.020" Undersize	58 517-0067	1		Plug, Core Hole
	114-0188-30	4	.030" Undersize	59 101-0405	2		*Bearing, Camshaft
54			Kit, Piston Ring Specs D-H	60		1	Block,Cylinder (Includes Parts Marked *) (See Short Block Catalog #932-0109)
	113-0296	2	Standard	61 120-0161	1		Kit, Oil Pump Gasket
	113-0296-05	2	.005" Oversize	62 800-0007	2		Screw, Hex Head Cap (1/4-20 x 1")
	113-0296-10	2	.010" Oversize	63 740-1004	2		Washer, Flat (M6)
	113-0296-20	2	.020" Oversize	64 120-0491	1		Pump, Oil (Components Not Sold Separately)
	113-0296-30	2	.030" Oversize				
				Begin Spec J	65		Kit, Gasket
	113-0311	2	Standard	168-0190	1		Carbon Removal/Valve Grind
	113-0311-05	2	.005 Oversize	168-0193	1		Engine, Complete
	113-0311-01	2	.010 Oversize				
	113-0311-02	2	.020 Oversize				
113-0311-03	2	.030 Oversize					
55	120-0680	1	*Tube, Cylinder Block Oil				

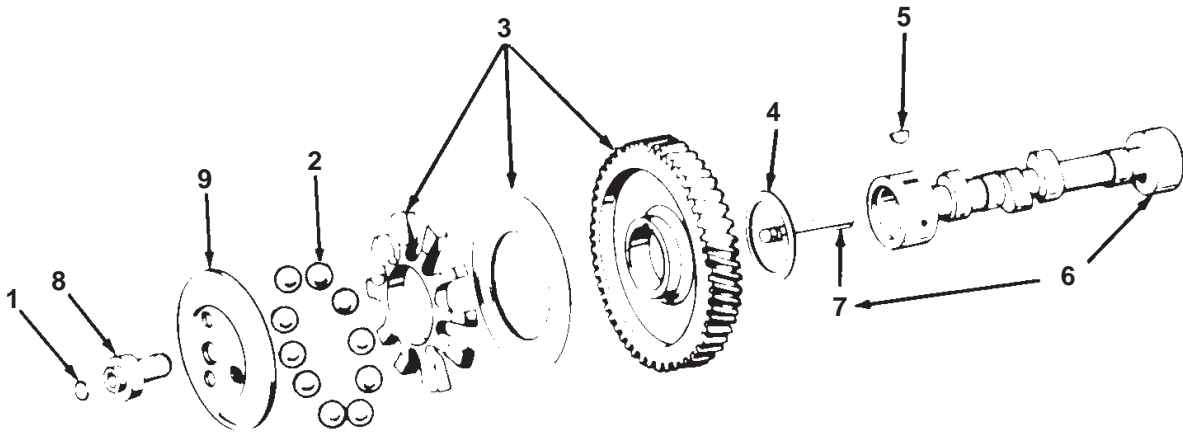
* - Parts Included in Cylinder Block.

Crankshaft



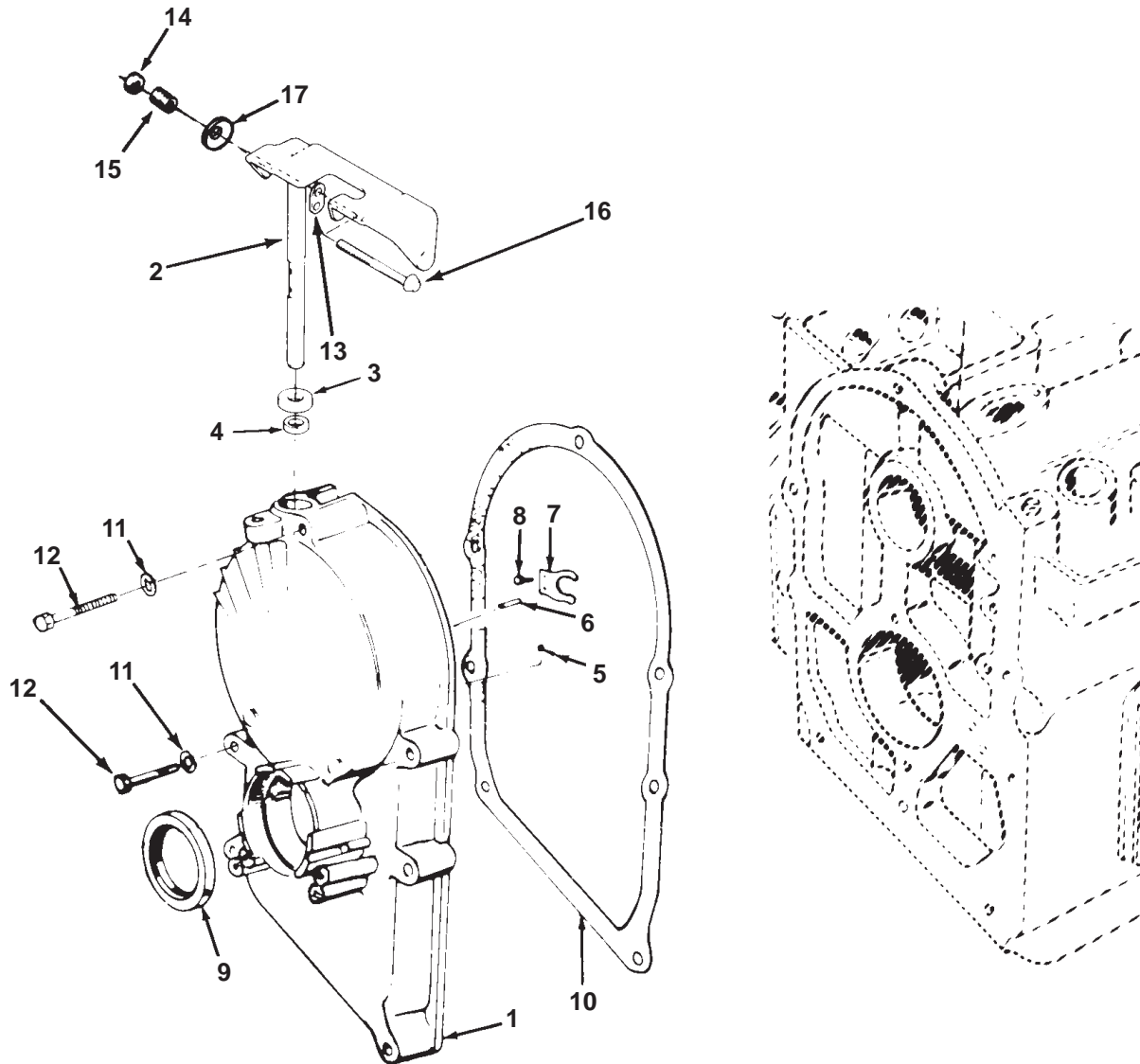
REF NO.	PART NO.	QTY USED	PART DESCRIPTION	REF NO.	PART NO.	QTY USED	PART DESCRIPTION
1	104-0170	1	Screw, Hex Head Cap (Special)	7	104-0032	1	Gear, Crankshaft
2	526-0356	1	Washer, Flat (7/16" Screw)	8	515-0263	1	Kit, Blower Wheel Key
3	526-0017	1	Washer, Flat (7/16" Screw)	9	515-0001	1	Key, Crankshaft Gear
4	134-4342-01	1	Flywheel (Blower)	10			Crankshaft
5	518-0014	1	Ring, Retaining		104-1584	1	Spec D-F
6	104-0043	1	Washer, Gear		104-1736	1	Begin Spec G

Camshaft



REF NO.	PART NO.	QTY USED	PART DESCRIPTION	REF NO.	PART NO.	QTY USED	PART DESCRIPTION
1	150-0078	1	Ring, Retaining	5	515-0001	1	Key, Woodruff
2	510-0015	10	Ball, Governor	6	105-0638	1	Camshaft (Includes Center Pin)
3	105-0332	1	Gear, Camshaft (Includes Flyball Plate and Spacer)	7	150-0075	1	Pin, Camshaft Center
4	105-0541	1	Washer, Thrust	8	150-1519	1	Hub, Governor Cup
				9	150-1520	1	Cup and Bushing, Governor

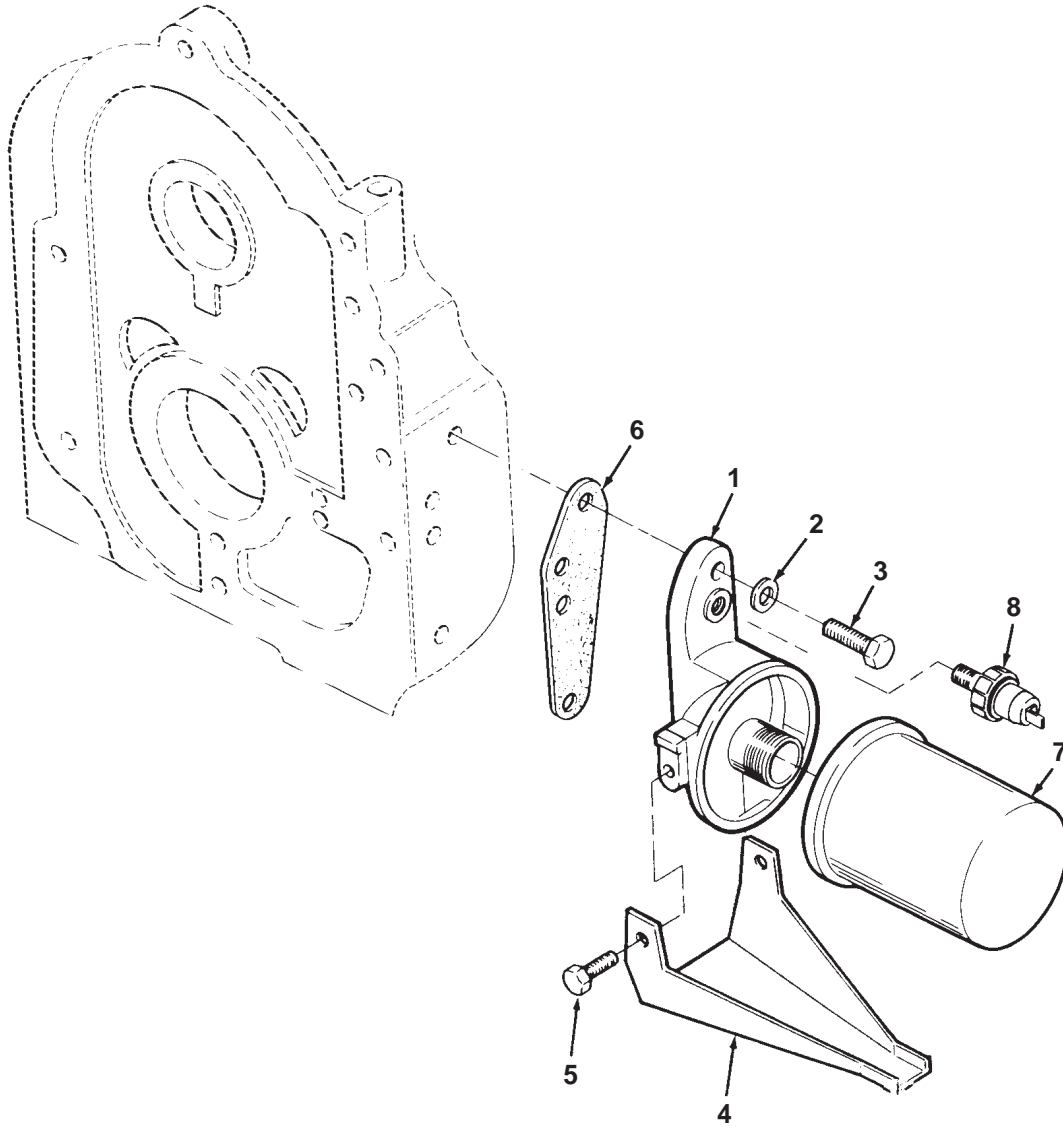
Gearcase



REF NO.	PART NO.	QTY USED	PART DESCRIPTION	REF NO.	PART NO.	QTY USED	PART DESCRIPTION
1	103-0772	1	Gearcase Kit (Includes Parts Marked*)	12			Screw, Hex Head Cap (Special)
2	150-2002-04	1	*Arm and Shaft, Governor	114-0022	4	4	1-3/4" Long
3	509-0008	1	*Seal, Governor Shaft Oil	800-0545	1	1	2-3/4" Long
4	510-0013	1	*Bearing, Needle	13	150-1998	1	*Link, Governor Spring
5	510-0014	1	*Ball, Bearing	14	870-0328	1	*Nut, Self-Lock (10-32")
6	516-0130	1	*Pin, Governor Cup Stop Dowel	15	141-0710	1	*Spring, Idle Needle
7	150-1187	1	*Yoke, Governor	16	820-1077	1	*Screw, Pan Head (10-32 x 2-1/2")
8	815-0046	2	*Screw, Pan Head Machine (8-32 x 3/8")	17	851-0031	1	*Washer, Conical Spring Begin Spec H
9	509-0040	1	*Seal, Crankshaft Oil				
10	103-0810	1	Gasket, Gearcase Mounting				
11	526-0065	5	Washer, Copper Flat (5/16" Screw)				

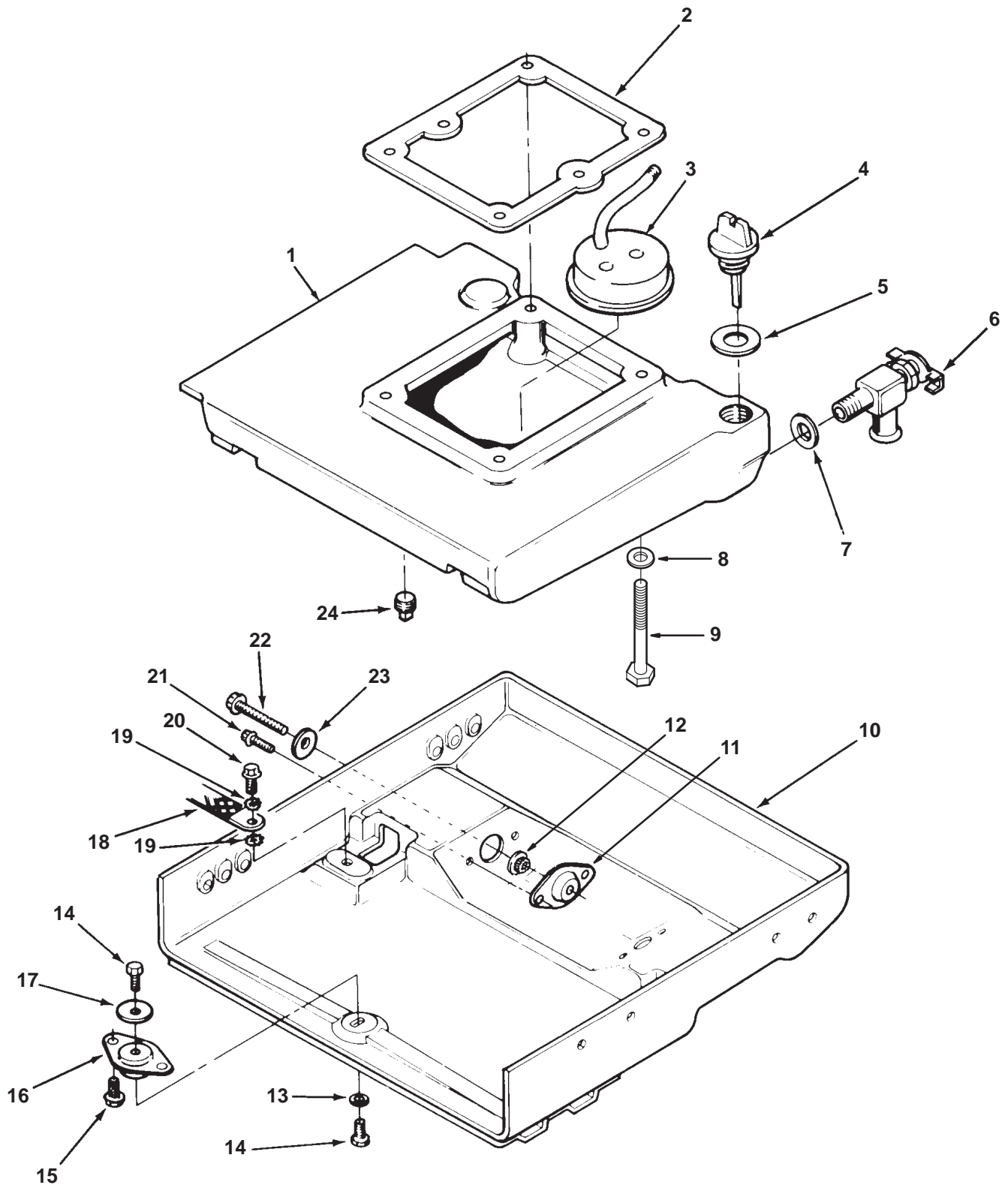
* - Parts Included In 103-0772 Gearcase.

Oil Filter



REF NO.	PART NO.	QTY USED	PART DESCRIPTION	REF NO.	PART NO.	QTY USED	PART DESCRIPTION
1	122-0320	1	Adapter, Oil Filter	5	815-0194	2	Screw, Hex Head Cap W/ET (#10-32 x 3/8")
2	526-0065	2	Washer, Copper Flat (5/16" Screw)	6	122-0771	1	Gasket, Oil Filter Adapter
3	800-0028	2	Screw, Hex Head Cap (5/16-18 x 1")	7	122-0323	1	Filter, Spin-On Oil
4	122-0352-50	1	Drain, Oil Filter (Unpainted)	8	309-0322	1	Switch, Low Oil Pressure (S2)

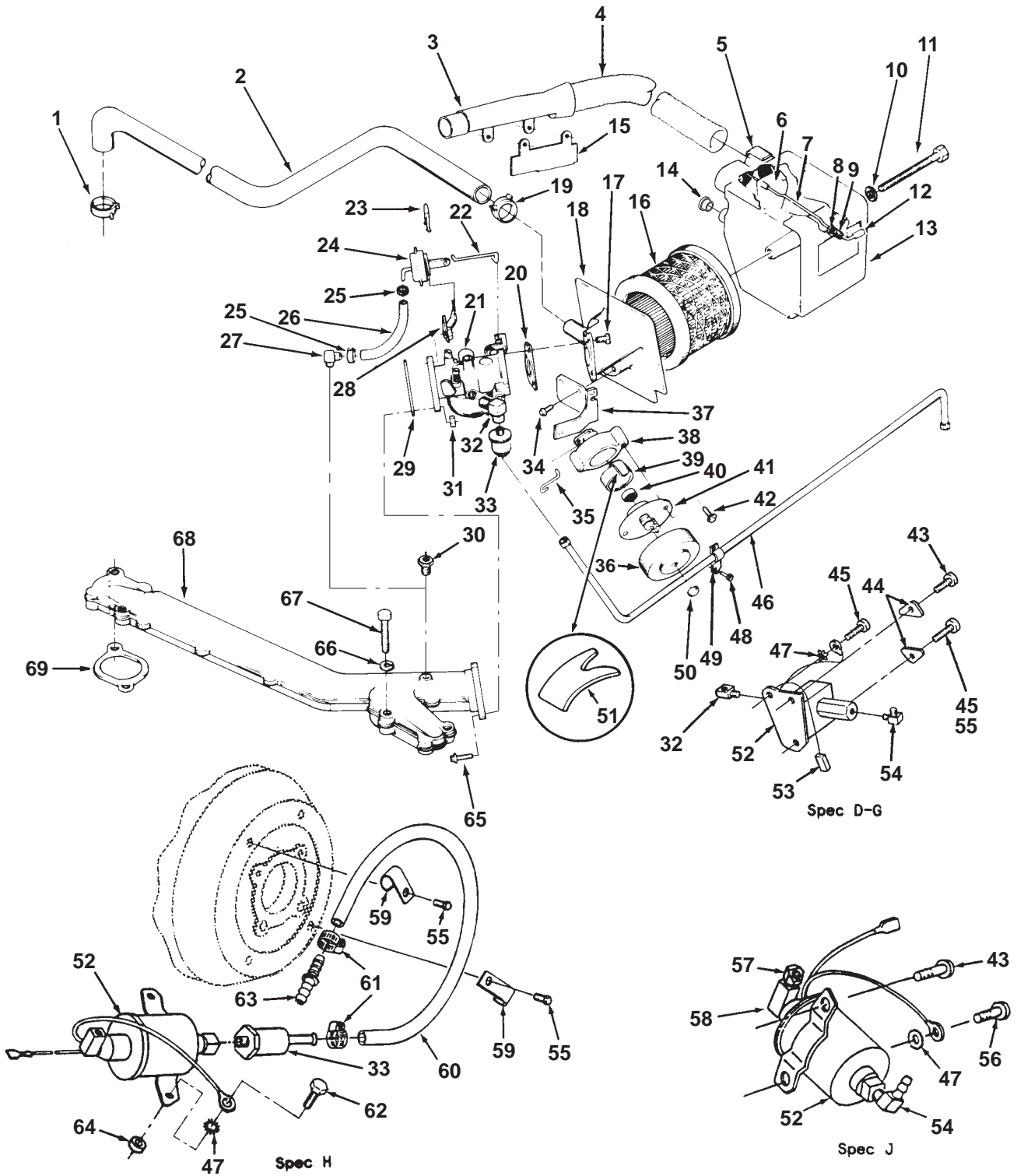
Oil Base



Oil Base

REF NO.	PART NO.	QTY USED	PART DESCRIPTION	REF NO.	PART NO.	QTY USED	PART DESCRIPTION
1	102-1286	1	Base, 4 Quart Oil				Washer Head (3/8-16 x 3/4")
2	102-1387	1	Gasket, Oil Base	15	821-0016	2	Screw, Self Locking Hex Washer Head (5/16-18 x 3/4")
3	123-1616	1	Cup, Oil Pump Intake (Includes Pipe and Cup)	16	402-0549	1	Isolator, Engine End Vibration
4	123-1961	1	Cap, Oil Fill Indicator	17	526-0324	1	Washer, Flat (5/16" Screw)
5	509-0096	1	O'Ring, Oil Fill Cap	18	337-2311	1	Strap, Ground
6	504-0150	1	Valve, Rear Drain Shutoff (Above Floor Model)	19	856-0008	2	Washer, EIT Lock (5/16")
7	102-0743	1	Gasket, Oil Drain	20	821-0014	1	Screw, Hex Washer Head (5/16-18 x 1/2")
8	526-0251	4	Washer, Flat (3/8" Screw)	21	821-0010	4	Screw, Self-Locking Hex Washer Head (1/4-20 x 1/2")
9	800-0058	4	Screw, Hex Head Cap (3/8-16 x 3")	22	815-0657	2	Screw, Hex Head Thread Form (Special)
10			Pan, Drip	23	526-0325	2	Washer, Flat (3/8" Screw) (Special)
	403-2218-01	1	Above Floor Models				Plug, Oil Drain
	-	1	Below Floor Models (See Below Floor Housing Pages)	24			Rear Drain, Bottom Drain Oil Base (1/2")
	403-2557-02	1	Begin Spec N		102-0938	1	Square Head, Countersunk (3/8" Pipe) Begin Models Manufactured 6/85
11	402-0597	2	Isolator, Generator End Vibration		505-0266	1	
12	402-0547	2	Snubber				
13	526-0014	1	Washer, Flat (3/8" Screw)				
14	821-0031	2	Screw, Self Locking Hex				

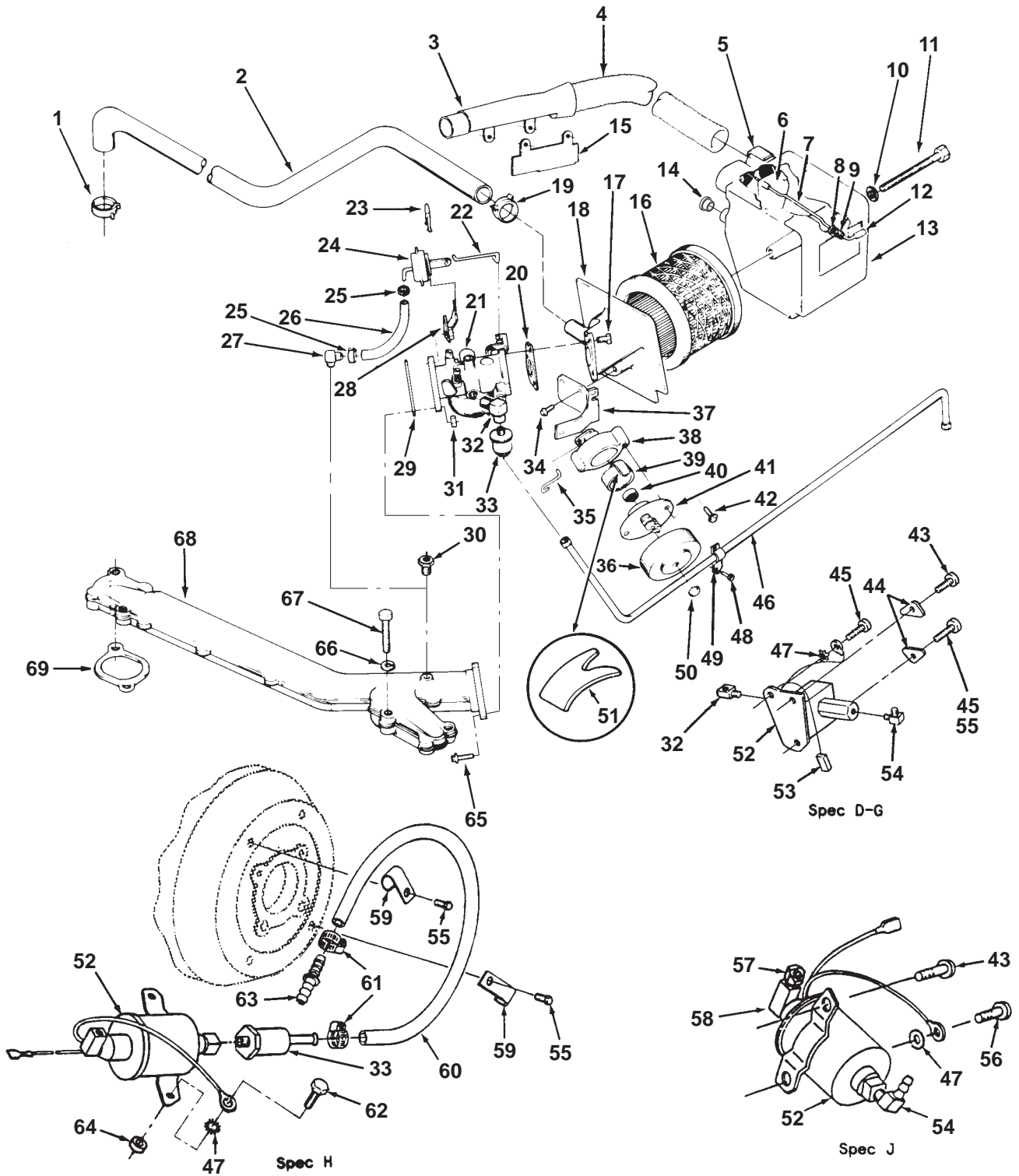
Fuel System Gasoline



Fuel System Gasoline

REF NO.	PART NO.	QTY USED	PART DESCRIPTION	REF NO.	PART NO.	QTY USED	PART DESCRIPTION
1	503-0183	1	Clamp, Breather Tube Hose (9/16 to 1-1/16")		141-0950	1	Spec D-M
2	123-1615	1	Tube, Breather		141-0958	1	Begin Spec N
3			Adapter, Preheater	30	502-0028	1	Plug, Pipe (1/8 NPT)
	140-2378-50	1	Black (Spec D-M)	31	862-0015	2	Nut, Hex (5/16-18)
	140-2378-70	1	Green (Spec D-M)	32			Elbow, Inverted Male
	140-1919-50	1	Black - Begin Spec N		502-0002	2	Specs D,E,F
4	503-1351	1	Hose, Preheater		502-1108	2	Begin Spec G
5	518-0459	1	Clip, Preheater Hose	33			Filter, Fuel
6	145-0561	1	Cover, Air Inlet		149-2279	1	Spec G
7			Rod, Air Inlet		149-1353	1	Spec H
	145-0667	1	Spec A-J		149-2333	1	Begin Spec J
	145-0707	1	Begin Spec K	34	815-0591	2	Screw, Hex Washer Head (Special) (Used Spec A-J)
8	526-0002	1	Washer, Flat (#6 Screw)	35	153-0558	1	Linkage, Choke
9	120-0140	1	Spring, Bypass	36	153-0579	1	Cover, Choke Housing
10	526-0021	1	Washer, Flat (1/4" Screw)	37	153-0557	1	Bracket, Housing Mounting
11	800-0017	1	Screw, Hex Head Cap (1/4-20 x 3-1/2")	38	153-0556	1	Housing, Choke (Includes Choke Shaft)
12	517-0223	1	Cap, Vinyl	39	153-0578	1	Tube, Choke Housing
13			Housing, Air Cleaner	40	153-0554	1	Bi-Metal, Choke
	140-1894	1	Spec A-J	41	153-0555	1	Element and Cover, Choke
	140-2883-01	1	Begin Spec K	42	815-0592	2	Screw, Hex Washer Head (Special)
	140-2962	1	Begin Spec L				Screw
14	517-0320	1	Plug, Button (Spec J Only)	43			Hex, Machine (1/4-20 x 1/2") (60 Hz)
15			Baffle, Preheater		815-0692-01	1	Pan Head (1/4-20 x 1") (50 Hz)
	140-2021-50	1	Black				Washer, Fuel Pump (50 Hz)
	140-2021-70	1	Green		815-0692-02	3	Screw, Thread Form Torx (1/4-20 x 3/8") (60 Hz)
16	140-2379	1	Element, Air Cleaner				Line, Fuel (Includes 2 Inverted Nuts)
17	815-0590	3	Screw, Hex Head (Special)	44	149-2226	2	Spec D, E, F
18			Adapter, Air Cleaner	45	815-0664	1	Spec G
	140-2782	1	Spec A-J				Spec H
	140-2882	1	Begin Spec K	46			Begin Spec J
	140-3093	1	Begin Spec L				Washer, ET (1/4")
19	503-1133	1	Clamp, Breather Tube Hose (Fits Hose OD .875")		149-2097	1	Screw, Pan Head Thread Cutting (10-32 x 1/2")
20	140-2308	1	Gasket, Air Horn		149-2294	1	Clamp, Fuel Line (.86" Dia.)
21			Carburetor		149-2320	1	Nut, Cap (6-32)
	146-0456	1	Spec A-J (Includes Gaskets) (See Separate Page for Components)	47	853-0013	1	Clip, Choke Housing
				48	815-0661	1	Pump, Electric Fuel (Includes Mounting Bracket)
	146-0578	1	Spec K, L (Does not Include Gaskets) (See Separate Page for Components)	49	232-3265-02	1	Spec D-G
				50	870-0421	1	Spec H
	146-0665	1	Spec M (Includes Mounting Gaskets) (No Components Available)	51	518-0466	1	Spec J
				52			Begin Spec N
	146-0663	1	Begin Spec N		149-2140	1	Harness, Fuel Pump (Includes 357-0067 Rectifier)
	146-0617	1	Kit, Auto-Choke Carburetor Conversion (Spec D-J)		149-2269	1	Elbow, 90° (1/8 NPT x 1/4" ID)
					149-2331	1	Screw, Thread Form Torx (1/4-20 x .62") (50 Hz)
					149-2331-02	1	Screw, Pan Head (1/4-20 x .625) (Begin Spec J)
22	153-0577	1	Linkage, Pulloff	53	338-2285	1	Elbow, 45° (Begin Spec J)
23	518-0450	1	U-Clip, Diaphragm Mounting Bracket		502-0003	1	Connector, Inverted Flare Male (Begin Spec J)
24	153-0576	1	Pulloff, Choke	54	502-0313	1	Clip, Wire (Begin Spec H)
25	503-1345	2	Clamp, Hose (.395 to .450" Dia.)	55	815-0290	2	
26	503-1252	1	Hose, Vacuum (3/16" ID x 3" Long)	56	815-0782	2	
27	502-0871	1	Fitting, Vacuum (Intake Manifold to Vacuum Hose)	57	502-0065	1	
28	153-0561	1	Bracket, Diaphragm Mounting	58	502-0003	1	
29			Gasket, Carburetor Mounting	59	518-0515	2	

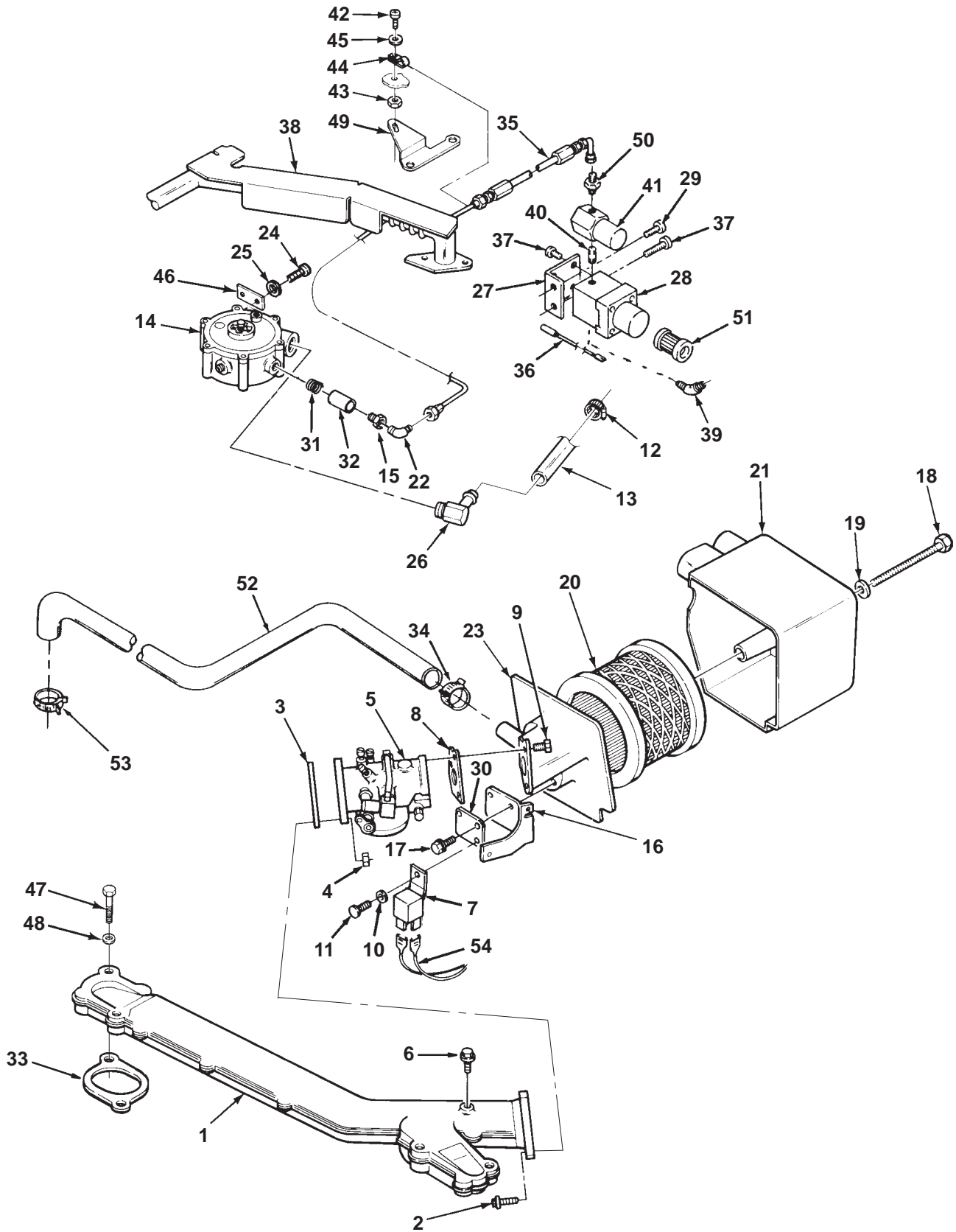
Fuel System Gasoline



Fuel System Gasoline

REF NO.	PART NO.	QTY USED	PART DESCRIPTION	REF NO.	PART NO.	QTY USED	PART DESCRIPTION
60	503-1313	1	Hose, Fuel (Begin Spec H)	65	815-0587	2	Screw, Hex Washer Head (Special)
61	503-0170	2	Clamp, Hose (Begin Spec H)	66	526-0251	4	Washer, Flat (3/8" Screw)
62			Screw	67	800-0055	4	Screw, Hex Head Cap (3/8-16 x 2-1/4")
	815-0664	1	Torx, Thread Form (1/4-20 x 3/8")	68			Manifold, Intake
	815-0772	2	Pan Head (Special) - Begin Spec H - Volt Code FA, FN	154-2524	1	1	Spec D-M
63	502-1164	1	Adapter, Fuel Hose (Begin Spec H)	154-2447	1	1	Begin Spec N
64	370-4052	2	Spacer, Pump Mounting (Begin Spec H)	69			Gasket, Intake Manifold
				154-2219	2	2	Spec D-M
				154-2495	2	2	Begin Spec N

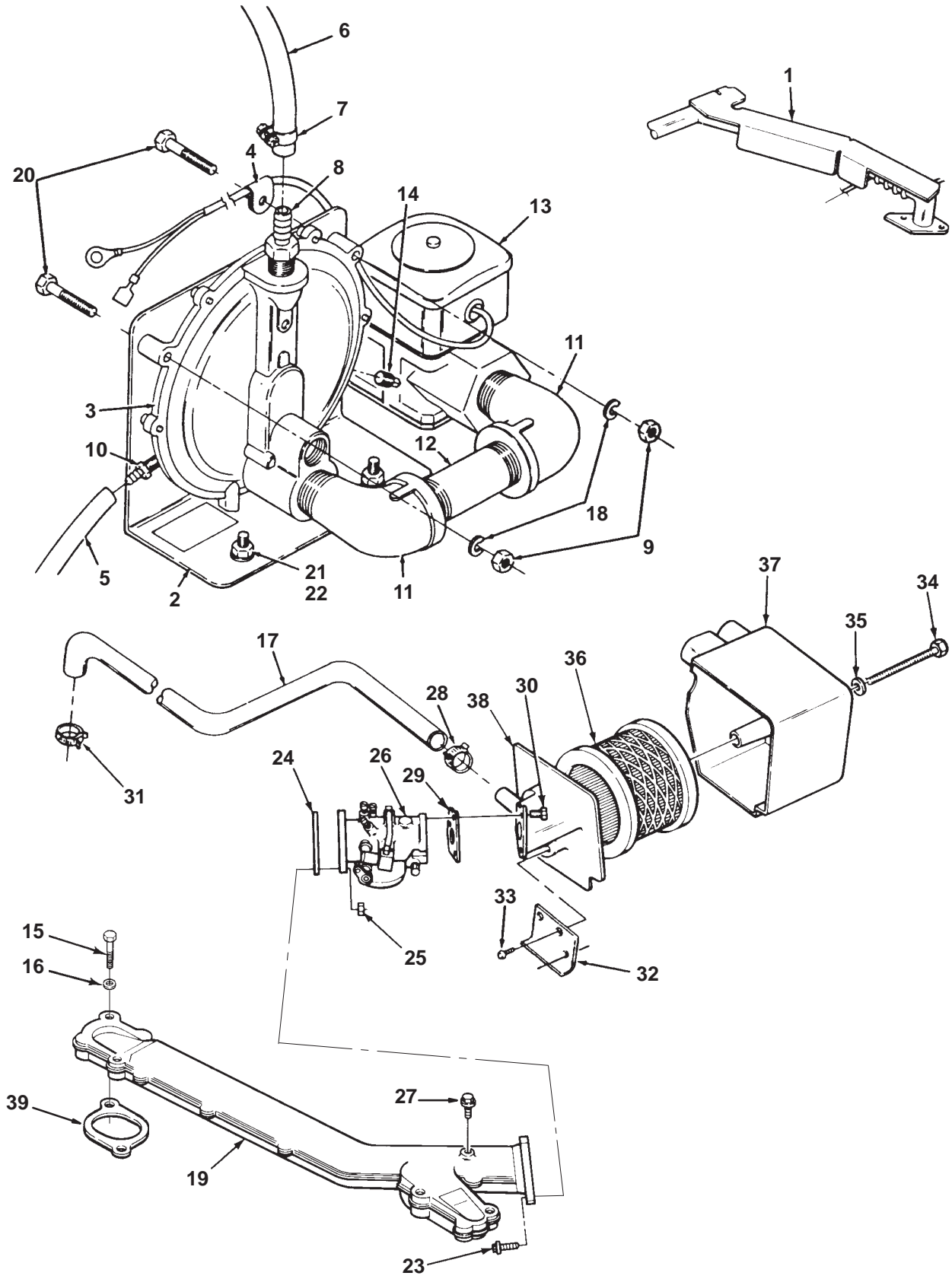
Fuel System LP Liquid



Fuel System LP Liquid

REF NO.	PART NO.	QTY USED	PART DESCRIPTION	REF NO.	PART NO.	QTY USED	PART DESCRIPTION
1			Manifold, Intake	28	148-0890	1	Filter, LPG (Includes Element and O-Rings)
	154-2524	1	Spec D-M				
	154-3027	1	Begin Spec N	29	815-0692-01	1	Screw, Pan Head (1/4-20 x 1/2")
2	815-0587	2	Screw, Hex Washer Head (Special)	30	307-2559-01	1	Bracket, Zinc Plated Relay
3			Gasket, Carburetor Mounting	31	148-0899	1	Spring, Adapter (3/8")
	141-0281	1	Spec D-M	32	148-0900	1	Spacer, Adapter (3/8") 1-1/4" Long
	141-0958	1	Begin Spec N				
4	862-0015	2	Nut, Hex (5/16-18)	33	154-1483	2	Gasket, Intake Manifold
5			Carburetor (See Separate Page For Components)	34	503-1133	1	Clamp, Breather Tube Hose (Fits Hose O.D. .875")
	141-0933	1	Spec D-M	35			Line, LP
	146-0748	1	Spec N & Up (LPG Liquid)		501-0497	1	13.5" Long
6	505-1426	1	Plug, Hex Pipe (1/8") (Spec D-M Only)		501-0512	1	15" Long
					501-0525	1	17.25" Long
7	307-1886	1	Relay, Ignition (K-5)	36	336-9679	1	Lead, Filter Mounting Bracket
8	140-2308	1	Gasket, Air Horn	37			Screw, Thread Form Hex Washer Head (1/4-20 x 1/2")
9	815-0590	3	Screw, Hex Head Cap (Special)		815-0261	4	Above Floor Models
10	526-0008	1	Washer, Flat (#10 Screw)		815-0261	2	Below Floor Models
11	821-0005	1	Screw, Lockhead (#10-32 x 1/2")		815-0664	1	Torx - Thread Form (Begin Spec H) (1/4-20 x .38)
12	503-0183	2	Clamp, Hose (9/16 to 1-1/16")	38			Manifold, Exhaust (See Exhaust System Pages)
13	503-1483	1	Hose, Fuel (7.88" Long)				
14			Regulator	39			Elbow, Exhaust Manifold
	148-0893	1	Spec D-M		502-0965-01	1	Reducing, 45° Bottom Outlet
			Begin Spec N		502-0054	1	Male, 90° Front Outlet
	148-1067	1	LP Liquid	40	502-0929-01	1	Nipple, Bottom Outlet
	148-1020	1	LP Vapor				Exhaust Manifold Close
15			Bushing, Reducer (3/8 To 1/4")	41	307-2501	1	Valve, Exhaust Manifold Bottom Outlet Fuel Shutoff
	502-0927-01	1	Adapter (3/8")	42	815-0176	1	Screw, Hex Head Machine (#8-32 x .50)
16	153-0557	1	Bracket, Housing Mounting	43	870-0221	1	Nut, Hex (8-32)
17	815-0591	2	Screw, Hex Washer Head (Special) (Spec A-J)	44	503-1190	1	Clamp, Hose (Fits .250" Dia. Tube)
18	800-0017	1	Screw, Hex Head Cap (1/4-20 x 3-1/2")	45	526-0003	1	Washer, Flat (#8)
19	526-0021	1	Washer, Flat (1/4" Screw)	46	148-0897	1	Washer, Regulator Mounting
20	140-2379	1	Element, Air Cleaner	47	800-0055	4	Screw, Hex Head Cap (3/8-16 x 2-1/4")
21			Housing, Air Cleaner				
	140-1894	1	Spec A-J	48	526-0251	4	Washer, Flat (3/8" Screw)
	140-2883-01	1	Spec K	49	149-2038-01	1	Bracket, LP Liquid Fuel Line (Zinc Plated)
	140-2962	1	Begin Spec L				
22			Elbow, 90° Reducing 7/16 To 1/4"	50	502-0949-01	1	Connector, Male
	502-0838	1	7/16 To 1/4"	51	148-0898	1	Element, Fuel Filter
	502-0923-02	1	7/16 To 3/8"	52	123-1615	1	Tube, Breather
23			Adapter, Air Cleaner	53	503-0183	1	Clamp, Breather Tube Hose (9/16 to 1-1/16")
	140-1889	1	Spec D-M				
	140-3093	1	Begin Spec N	54			Harness, Ignition Relay Wiring (See Separate Page for Components)
24	815-0647	2	Screw, Hex Washer Head (1/4-20 x 5/8")				LP - Spec D-G
25	850-0040	2	Washer, Lock (1/4")		338-2317	1	LP Liquid - Begin Spec H
26	502-0935	1	Elbow, 90°		338-2644	1	
27	148-0903	1	Bracket, Filter Mounting				

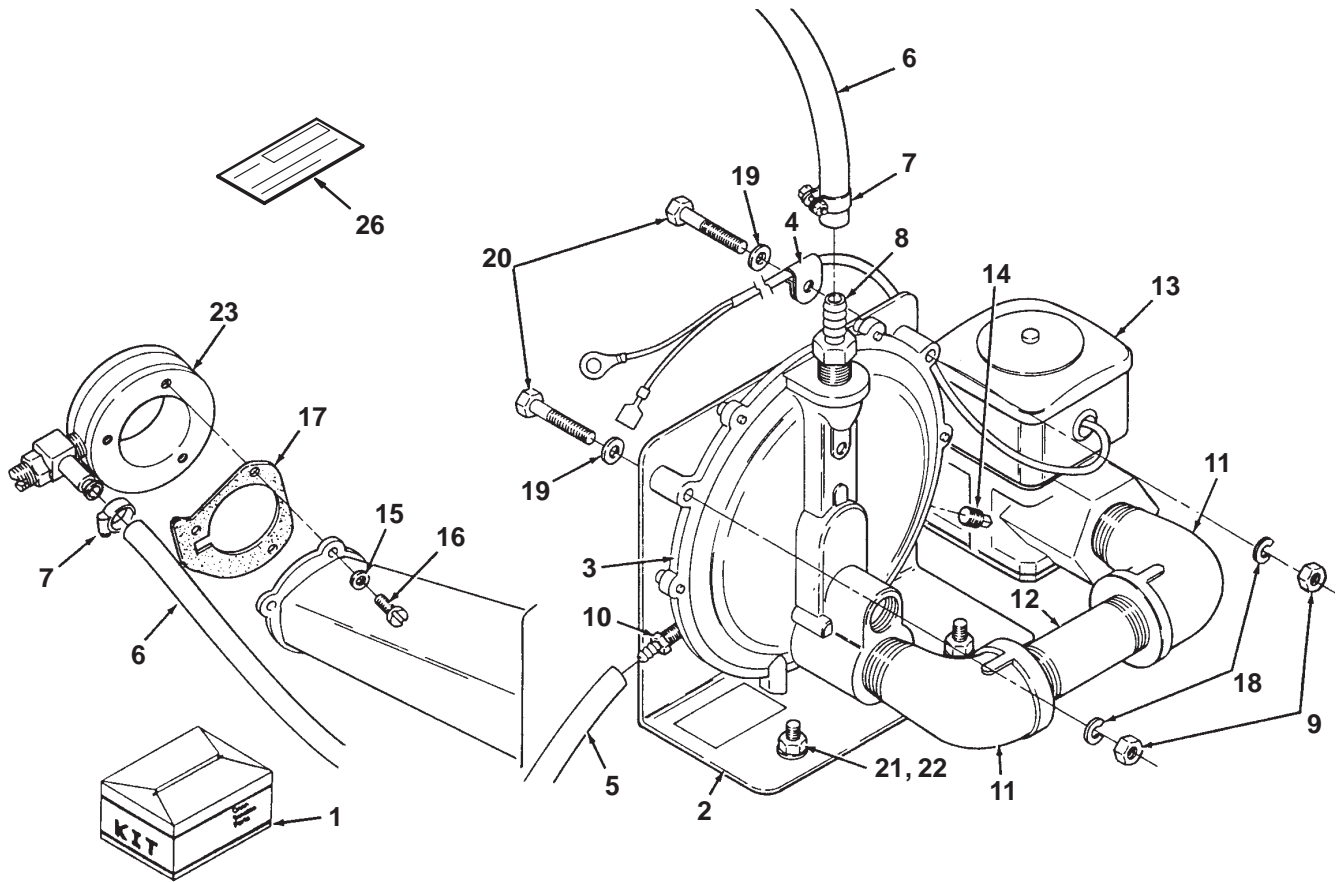
Fuel System LP Vapor (Begin Spec H)



**Fuel System
LP Vapor
(Begin Spec H)**

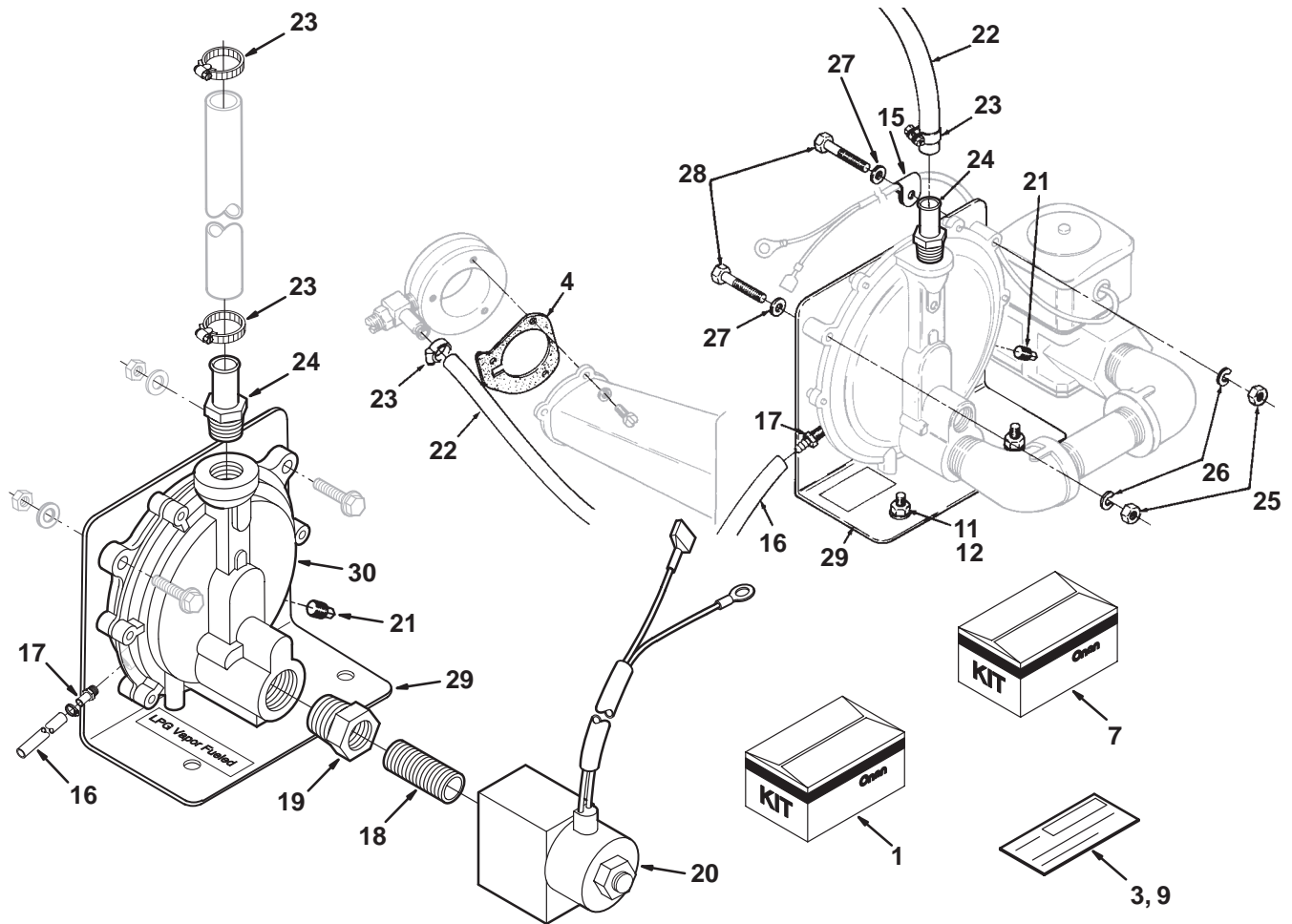
REF NO.	PART NO.	QTY USED	PART DESCRIPTION	REF NO.	PART NO.	QTY USED	PART DESCRIPTION
1		1	Manifold, Exhaust (See Exhaust System Pages)	25	862-0015	2	Nut, Hex (5/16-18)
2	148-0843	1	Bracket, Gas Regulator	26			Carburetor (See Separate Page for Components)
3			Regulator, Gas		141-0933	1	Spec D-M
	148-0311	1	Spec H-M		146-0729	1	Begin Spec N
	148-1020	1	Begin Spec N	27	505-1426	1	Plug, Hex Pipe(1/8") (Spec D-M Only)
4	518-0350	1	Clamp, Insulated (1/4" OD)	28	503-1133	1	Clamp, Breather Tube Hose
5	503-1016	1	Hose, Oil (Vent) 12" Long	29	140-2308	1	Gasket, Air Horn
6	503-1048	1	Hose, Fuel (30" Long)	30	815-0590	3	Screw, Hex Head Cap (Special)
7	503-0032	2	Clamp, Hose (#4)	31	503-0183	1	Clamp, Hose (9/16 to 1-1/16")
8	502-0238	1	Connector, Hose	32	307-2559-01	1	Bracket, Housing Mounting (Zinc Plated)
9	862-0001	2	Nut, Hex (1/4-20)	33	815-0591	2	Screw, Hex Washer Head (Special)
10	502-0395	1	Connector, Hose	34	800-0017	1	Screw, Hex Head Cap (1/4-20 x 3-1/2")
11	505-0051	2	Elbow, 90° Street	35	526-0021	3	Washer, Flat (1/4" Screw)
12	505-0332	1	Nipple, Pipe (3/4 x 3.00 Lg)	36	140-2379	1	Element, Air Cleaner
13	307-1881	1	Solenoid and Terminal	37			Housing, Air Cleaner
14	505-0057	1	Plug, Square Head		140-1894	1	Spec A-J
15	800-0055	4	Screw, Hex Head Cap (3/8-16 x 2-1/4")		140-2883-01	1	Spec K
16	526-0251	4	Washer, Flat (3/8" Screw)	140-2962		1	Begin Spec L
17	123-1615	1	Tube, Breather	38			Adapter, Air Cleaner
18	850-0040	2	Washer, Lock (1/4")		140-1889	1	Spec D-M
19	154-2524	1	Manifold, Intake		140-3093	1	Begin Spec N
20	800-0008	2	Screw, Hex Head Cap (1/4-20 x 1-1/4")	39	154-2219	2	Gasket, Intake Manifold
21	800-0028	2	Screw, Hex Head Cap (5/16-18 x 1")				
22	870-0257	2	Nut, Self Lock Hex (5/16-18)				
23	815-0587	2	Screw, Hex Washer Head (Special)				
24			Gasket, Carburetor Mounting				
	141-0281	1	Spec D-M				
	141-0958	1	Begin Spec N				

LPG System Field Conversion (Low Pressure) Kit 148-0913 (Spec D-L)



REF NO.	PART NO.	QTY USED	PART DESCRIPTION	REF NO.	PART NO.	QTY USED	PART DESCRIPTION
1	148-0913	1	Kit, LP Conversion (Spec D-L) (Includes all Parts on this Page)	17	140-2308	2	Gasket, Air Intake Adapter
2	148-0843	1	Bracket, Gas Regulator	18	850-0040	2	Washer, Lock (1/4")
3	148-0311	1	Regulator, Gas	19	526-0018	2	Washer, Flat (1/4" Screw)
4	518-0350	1	Clamp, Insulated (1/4" OD)	20	800-0008	2	Screw, Hex Head Cap (1/4-20 x 1-1/4")
5	503-1016	1	Hose, Oil (Vent) 12" Long	21	800-0028	2	Screw, Hex Head Cap (5/16-18 x 1")
6	503-1048	1	Hose, Fuel (30" Long)	22	870-0257	2	Nut, Self Lock Hex (5/16-18)
7	503-0183	2	Clamp, Hose (#4)	23	148-0912	1	Adapter, Carburetor
8	502-0238	1	Connector, Hose	24	821-0009	1	Screw, Hex Head Self Locking (1/4-20 x 3/8") (Not Shown)
9	862-0001	2	Nut, Hex (1/4-20)	25	853-0013	1	Washer, ET Lock (1/4") (Not Shown)
10	502-0395	1	Connector, Hose	26	98-5958	1	Label, LP Kit
11	505-0051	2	Elbow, 90° Street	27	G-65	1	Instruction Sheet (Not Shown)
12	505-0332	1	Nipple, Pipe (3/4 x 3.00 Lg)	28	98-6455	1	Label, LPG Fuel (Not Shown)
13	307-1881	1	Solenoid and Terminal				
14	505-0057	1	Plug, Square Head				
15	854-0010	3	Washer, IT Lock (#10)				
16	813-0117	3	Screw, Round Head Machine (10-32 x 1-5/8")				

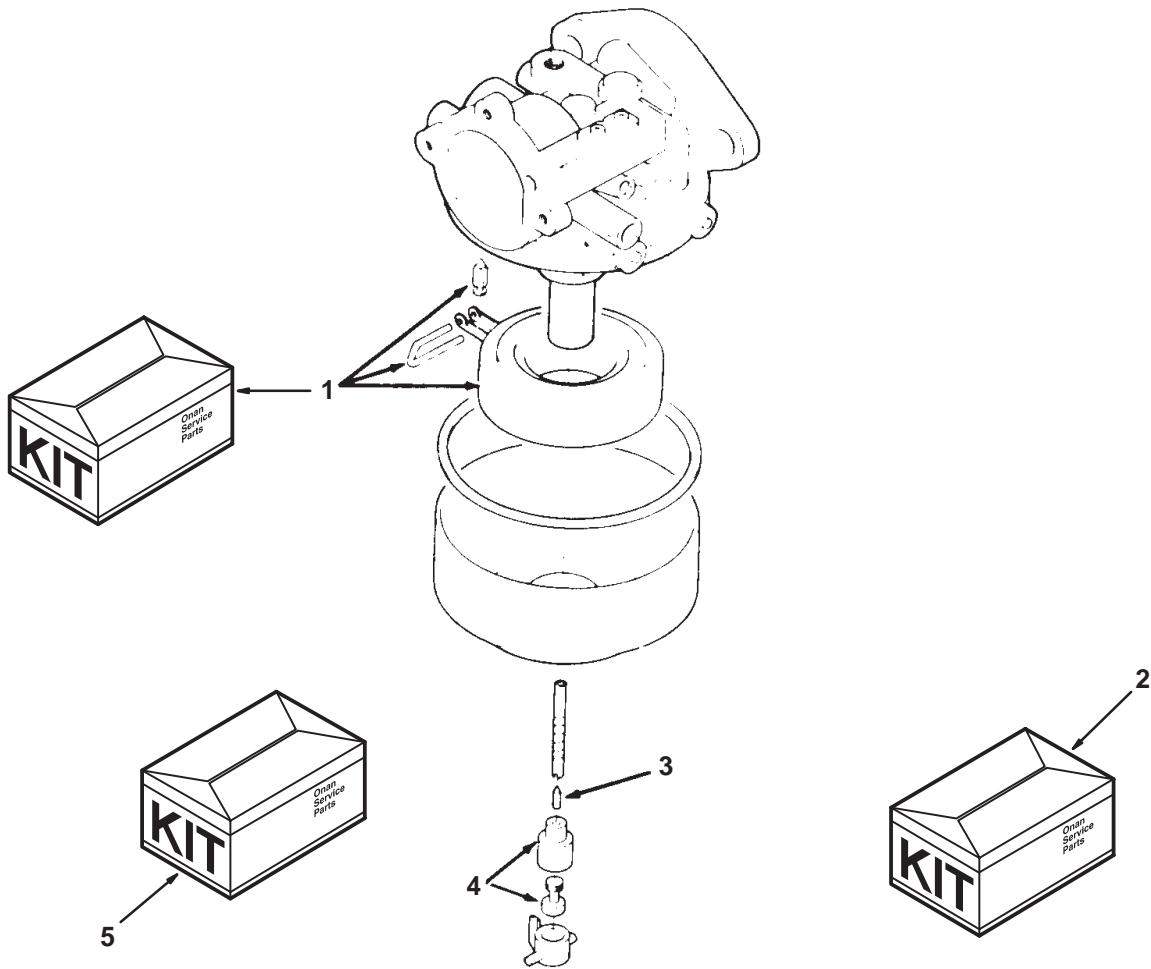
LP Vapor Fuel System Field Conversion Kit 148-1057-02 & 148-1108-02 (Begin Spec M)



REF NO.	PART NO.	QTY USED	PART DESCRIPTION	REF NO.	PART NO.	QTY USED	PART DESCRIPTION
1	148-1057-02	1	Kit, Conversion LPG Vapor (Begin Spec M) (Includes Parts Marked #)	14	821-0009	1	*Screw, Self Locking Hex Head (1/4-20 x 3/8") (Not Shown)
	148-1108-02	1	LPG Vapor (Begin Spec M) (Includes Parts Marked <)	15	518-0350	1	*Clamp, Insulated
2	G-267	1	#<Instruction Sheet (Not Shown)	16	503-1016	1	*Hose, Oil (Vent) - 12" Long
3	98-7315-09	1	#<Label, Kit Number (Emissions)	17	502-0395	1	*Connector, Hose
4	140-2308	2	#<Gasket, Airhorn	18	505-0101	1	*Nipple, Close (3/8")
5	141-0958	1	#<Gasket, Carburetor (Not Shown)	19	505-0131	1	*Bushing, Reducer
6	146-0729	1	#<Carburetor, LPG (Emissions) (Not Shown)	20	307-2880	1	*Valve, Fuel Shutoff
7	148-1107	1	#< Kit, LP Accessory (Includes Parts Marked *)	21	505-0057	1	*Plug, Square Head
8	G-328	1	*Instruction Sheet (Not Shown)	22	503-1048	1	*Hose, Fuel
9	98-6455	1	* Label, LP Kit	23	503-0183	2	*Clamp, Hose
10	505-0120	1	*Elbow, Street (3/8") (Not Shown)	24	502-0238	1	*Connector, Hose
11	800-0028	2	*Screw, Hex Head Cap (5/16-18 x 1")	25	862-0001	2	*Nut, Hex (1/4-20)
12	870-0257	2	*Nut, Self Locking Hex (5/16-18)	26	850-0040	2	*Washer, Lock (1/4")
13	853-0013	1	*Washer, ET Lock (1/4") (Not Shown)	27	526-0018	2	*Washer, Flat (1/4")
				28	800-0008	2	*Screw, Hex Head Cap (1/4-20 x 1-1/4")
				29	148-0843	1	*Bracket, Gas Regulator
				30	148-1020	1	*Regulator, Gas

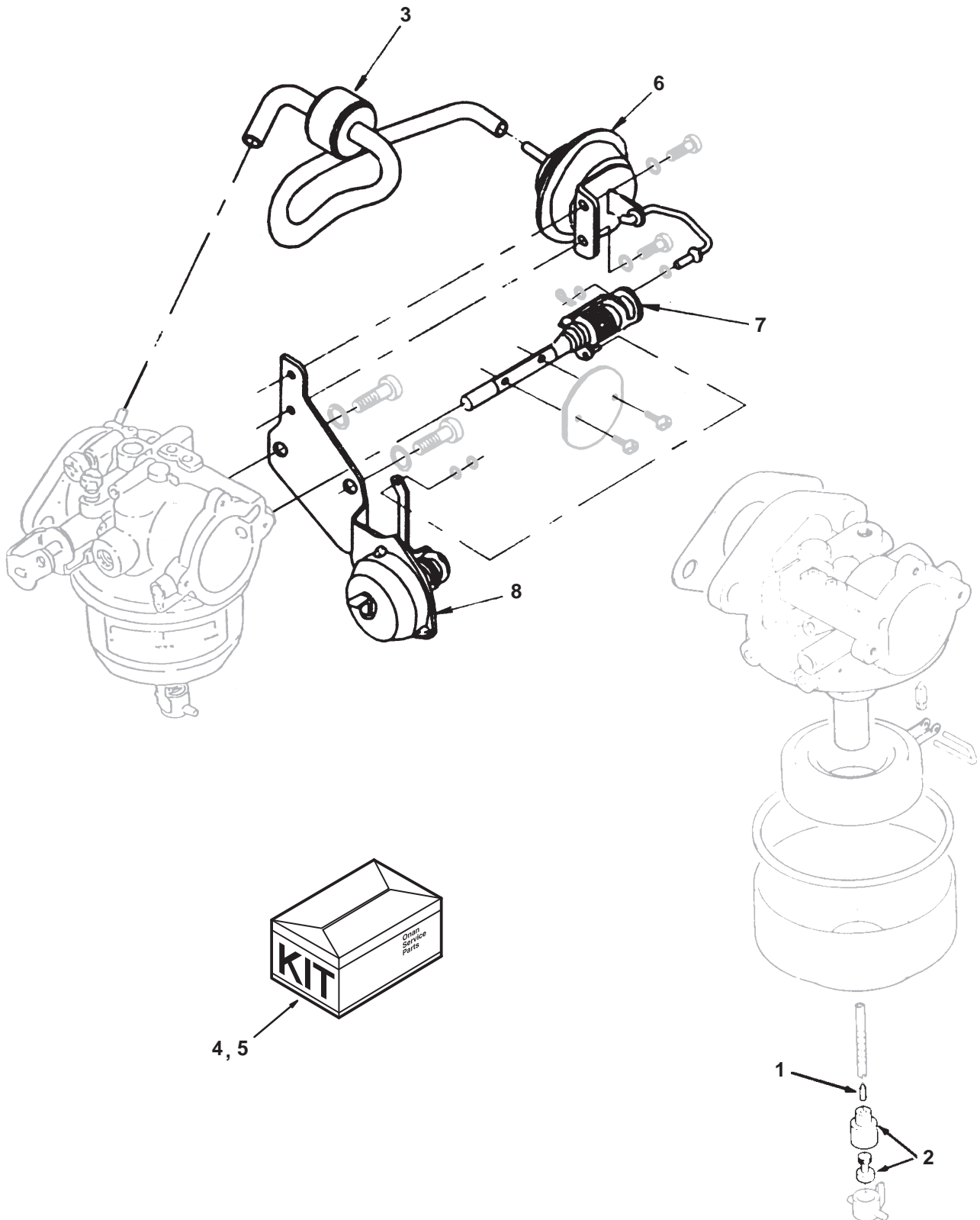
- Parts Included in 148-1057-02 LPG Vapor Conversion Kit.
 < - Parts Included in 148-1108-02 LPG Vapor Conversion Kit.
 * - Parts Included in 148-1107 LP Accessory Kit

Carburetor Components Gasoline (Spec A-J)



REF NO.	PART NO.	QTY USED	PART DESCRIPTION	REF NO.	PART NO.	QTY USED	PART DESCRIPTION
	146-0456	1	Carburetor, Complete (Includes Mounting Gaskets)	3	146-0451	1	Jet, Idle
1	146-0453	1	Kit, Float (Includes Float, Pin and Valve)	4	146-0452	1	Jet, Power
2	146-0457	1	Kit, Repair (Includes Gasket Package, Float Valve, Idle Adjust Needle and Spring, Mounting Gaskets, Adjust Limit Caps, Throttle Stop Screw and Spring)	5	146-0617	1	Kit, Carburetor
				6	146-0463	1	Jet, High Altitude (Not Shown)

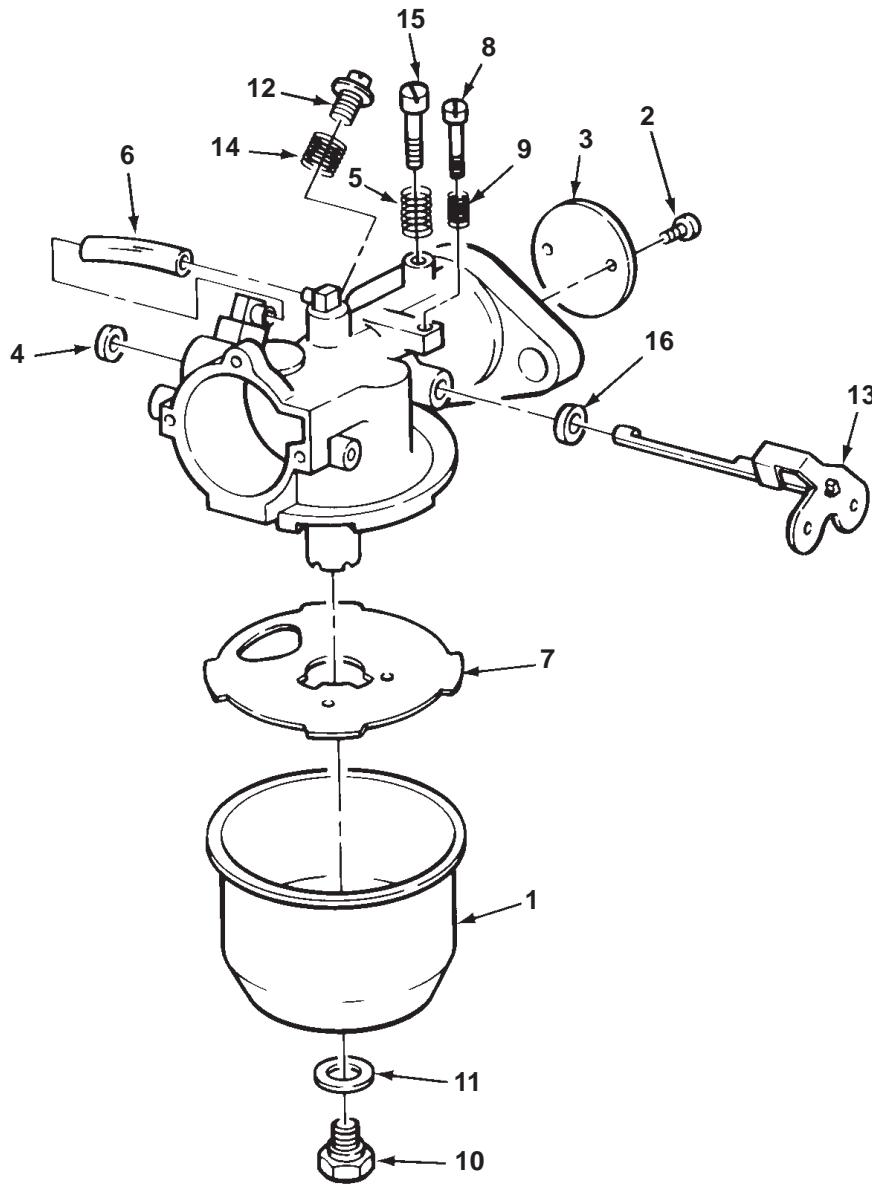
**Carburetor Components
Gasoline
(Spec K, L)**



**Carburetor Components
Gasoline
(Spec K, L)**

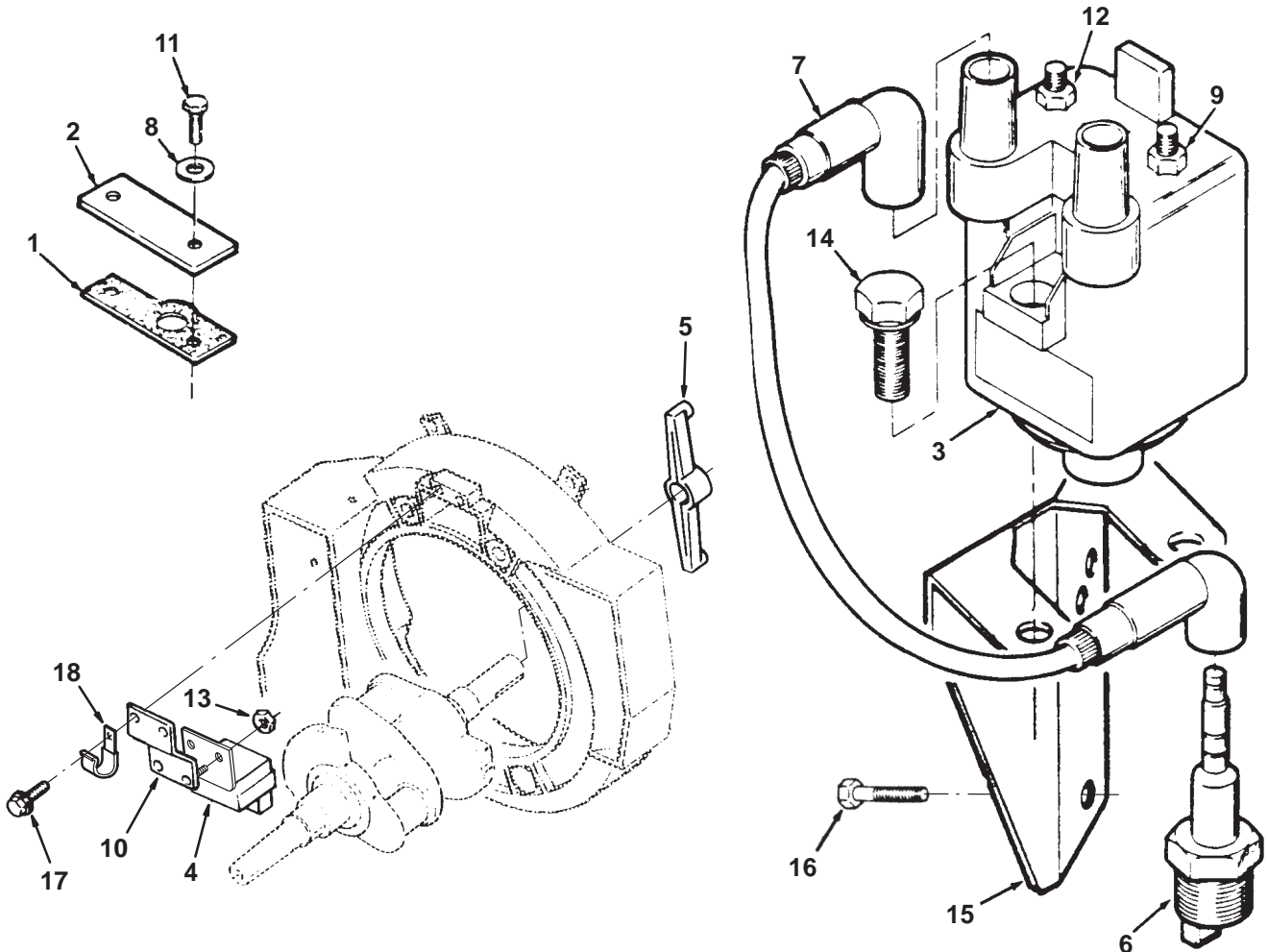
REF NO.	PART NO.	QTY USED	PART DESCRIPTION	REF NO.	PART NO.	QTY USED	PART DESCRIPTION
			Carburetor	6	146-0589	1	Kit, Choke Breaker (Includes Choke Piston Rod, Link Washer, Snap Pin and Choke Breaker Assy)
	146-0578	1	Spec D-L				
	146-0665	1	Spec M				
	146-0663	1	Spec N				
1	146-0451	1	Jet, Idle	7	146-0593	1	Kit, Choke Shaft (Includes Choke Shaft Assy, Choke Collar, Choke Arm Return Spring, Choke Valve, Valve Set Screw, Choke Lever Assy)
2	146-0452	1	Jet, Main				
3	146-0590	1	Kit, Vacuum Sustain (Includes Vacuum Hoses and Valve)				
4	146-0453	1	Kit, Float (Includes Float Assy, Float Pin, Float Valve and Set Screw)	8	146-0588	1	Kit, Choke Bimetal (Includes Bimetal Holder, Thermostat Cover, Bimetal Set Plate, Set Screw)
5	146-0454	1	Kit, Repair (Includes Float Chamber Gasket, Float Valve, Main Jet Gasket, Main Limiter Cap, Idle Adjust Spring, Idle Adjust Screw, Idle Limiter Cap, Throttle Adjust Spring, Throttle Adjust Screw)				

Carburetor Components LP



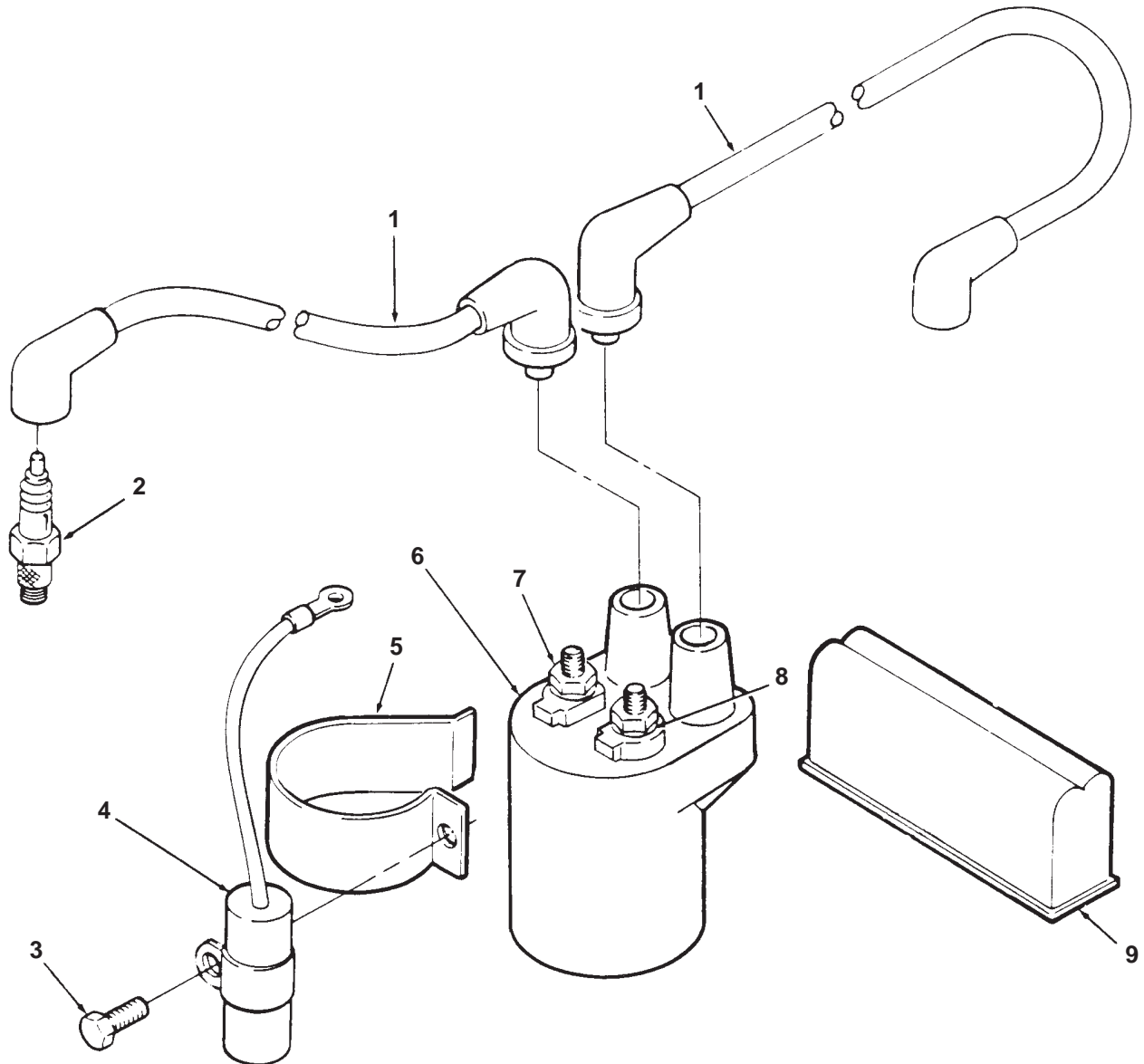
REF NO.	PART NO.	QTY USED	PART DESCRIPTION	REF NO.	PART NO.	QTY USED	PART DESCRIPTION
			Carburetor, Complete	7	141-0701	1	Gasket, Bowl
	141-0933	1	Spec D-M	8	141-0700	1	Screw, Throttle Stop
	146-0725	1	Spec N & Up (LPG Liquid)	9	141-0711	1	Spring, Throttle Stop
	146-0729	1	Spec N & Up (LPG Vapor)	10	141-0736	1	Plug, Bowl
1	141-0708	1	Bowl, Fuel	11	141-0077	1	Washer, Bowl Plug
2	141-0698	2	Screw, Round Head With Washer	12	141-0934	1	Screw, Main Jet Adjust
3	141-0919	1	Plate, Throttle	13	141-0936	1	Lever, Throttle Shaft
4	141-0940	1	Seal, Dust	14	141-0939	1	Spring, Main Jet Screw
5	141-0935	1	Spring, Idle Needle	15	141-0937	1	Needle, Idle Adjust
6			Tube, Idle (Rubber)	16	141-0924	1	Seal, Rubber Dust
	141-0938	1	Spec D-M				
	141-0978	1	Begin Spec N				

Electronic Ignition (Begin Spec G)



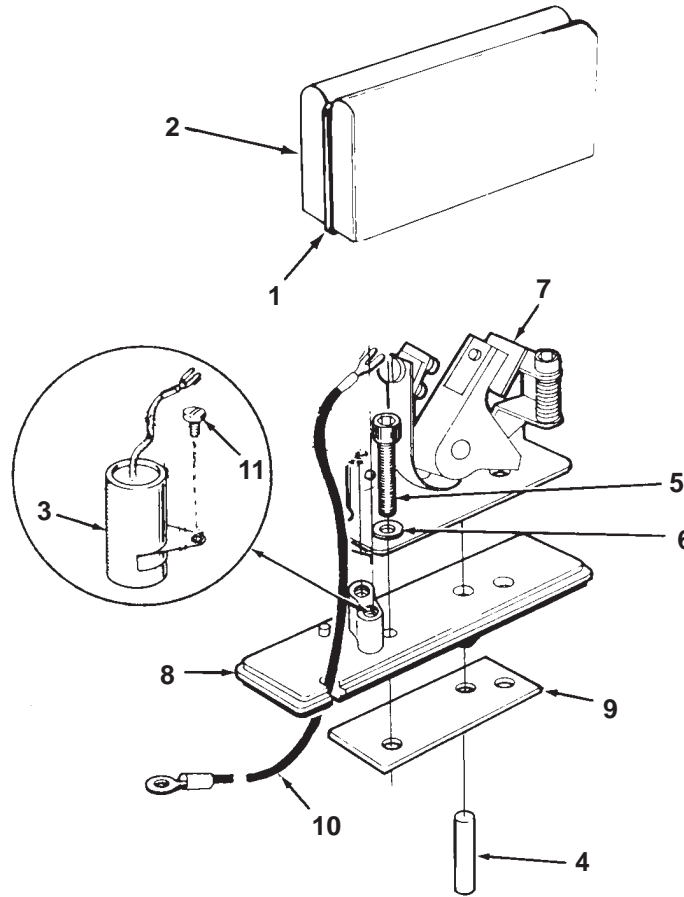
REF NO.	PART NO.	QTY USED	PART DESCRIPTION	REF NO.	PART NO.	QTY USED	PART DESCRIPTION
1	160-1368	1	Gasket, Plate	9	166-0770	1	Nut, Hex Flange (M4 Positive Terminal)
2	160-1345-01	1	Plate, Ignition Plunger Cover (Zinc Plated)	10	166-0794	1	Bracket, Ignition Control
3			Coil, Battery Ignition (Includes Nuts)	11	800-0004	2	Screw, Hex Head Cap (1/4-20 x 5/8")
	166-0761	1	Spec A-H, Ending S/N G923938483 During Spec J	12	166-0771	1	Nut, Hex Flange (M5 Negative Terminal)
	166-0820	1	Begin S/N G923938484 During Spec J	13	870-0328	2	Nut, Self-Lock (10-32)
4			Control, Ignition	14	815-0650	2	Screw, Hex Washer Head (1/4-20 x 1")
	166-0785	1	Spec D-G	15	166-0789-01	1	Bracket, Ignition Coil
	166-0821	1	Begin Spec H (15" Lead)	16	815-0290	1	Screw, Hex Washer Head (1/4-20 x 5/8")
	166-0821-01	1	Begin Spec H (28.5" Lead)	17	815-0770	2	Screw, Hex Washer Head Thread Form (Special)
5			Rotor Assembly, Ignition (Includes Rotor and Magnet)	18	332-3198	1	Connector
	166-0802	1	Spec A-L				
	166-0842	1	Begin Spec M				
6	167-0272	2	Plug, Spark				
7			Cable, Spark Plug				
	167-1615-01	1	9" Long				
	167-1602	1	23" Long				
8	740-1004	2	Washer, Flat (M6)				

Ignition System (Spec D, E)



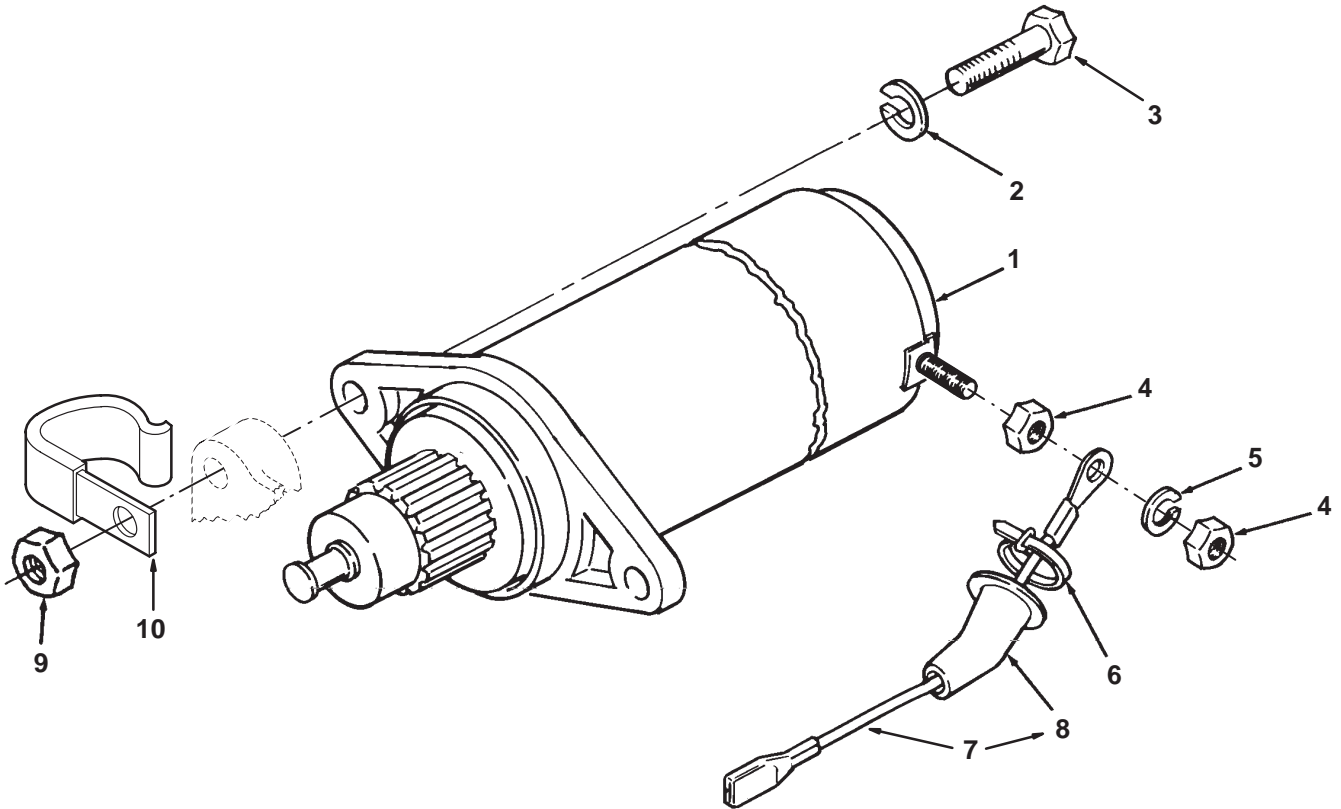
REF NO.	PART NO.	QTY USED	PART DESCRIPTION	REF NO.	PART NO.	QTY USED	PART DESCRIPTION
1	167-1615-01	1	Cable, Spark Plug 9" Long	6	166-0772	1	Coil, Ignition (Includes Nuts and Washers)
	167-1602	1	26" Long	7	166-0771	2	Nut, Hex (8 MM)
2	167-0272	2	Plug, Spark	8	850-2005	2	Washer, Lock (8 MM)
3	815-0261	1	Screw, Hex Washer Head Thread Cutting (1/4-20 x 1/2")	9	160-1325	1	Box, Breaker (See Separate Page For Components)
4	312-0256	1	Condenser, Ignition	10	160-1376	1	Kit, Electronic Ignition (Converts Breaker Ignition To Electronic)
5	166-0747	1	Clamp, Coil				

Breaker Box (Spec D, E)



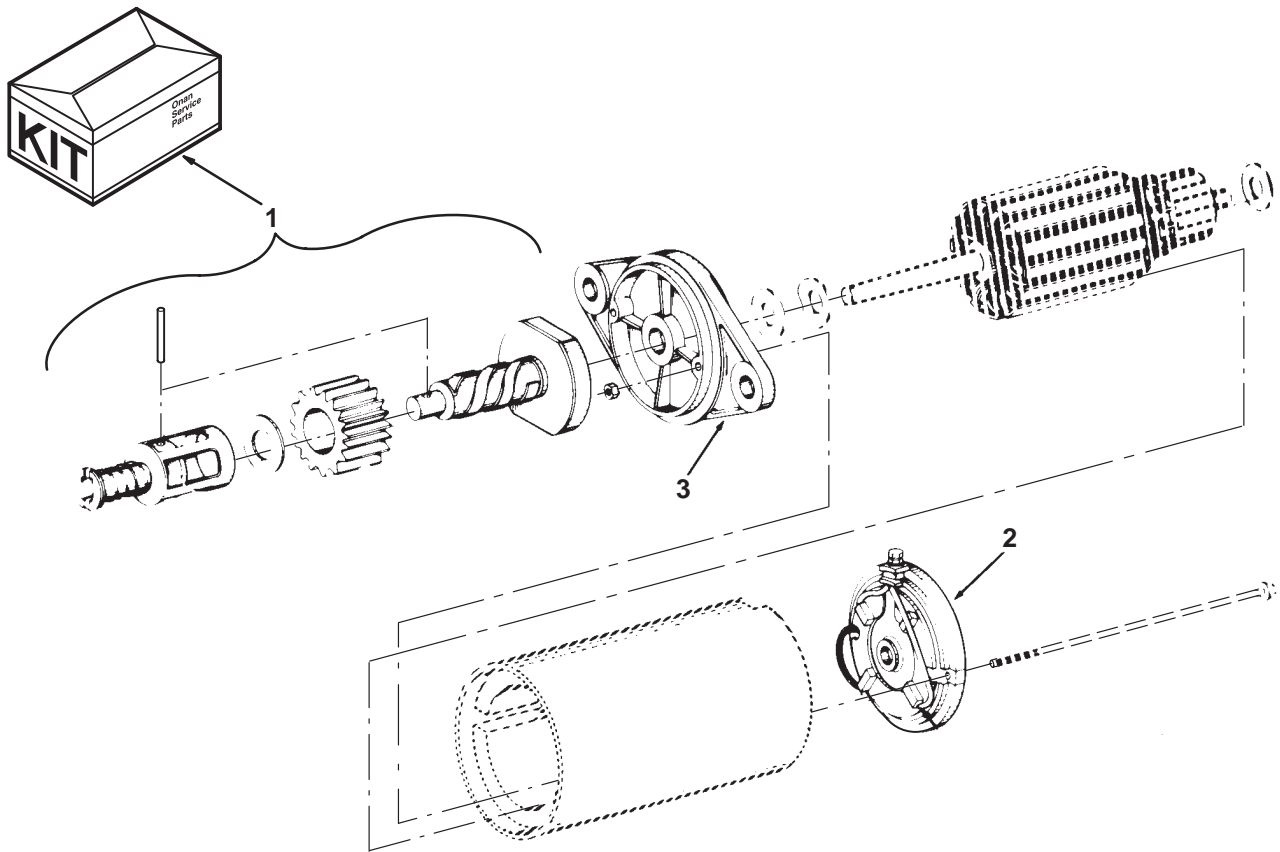
REF NO.	PART NO.	QTY USED	PART DESCRIPTION	REF NO.	PART NO.	QTY USED	PART DESCRIPTION
	160-1325	1	Box, Breaker (Includes Parts Marked *)	6	850-0038	2	*Washer, Spring Lock (1/4")
1	160-1317	1	*Clip, Breaker Box Cover	7	160-1183	1	*Point, Breaker
2	160-1316	1	*Cover, Breaker Box	8	160-1314	1	*Base, Breaker Box
3			Condenser, Ignition	9	160-1368	1	*Gasket, Breaker Box
	312-0246	1	Use Prior to 9/87 - Mounts Inside Breaker Box	10	336-2378	1	Lead, Breaker Box To Coil
	312-0256	1	Use Beginning 9/87 - Mounts Remote, Attached to Generator Adapter	11	815-0358	1	Screw, Slotted Hex Head Thread Form (#8-32 x 5/16") Use Prior to 9/87
4	160-1151	1	Plunger, Breaker Points	* - Parts Included in Breaker Box.			
5	802-0034	2	*Screw, Socket Head Cap (1/4-20 x 3/4")				

Starter



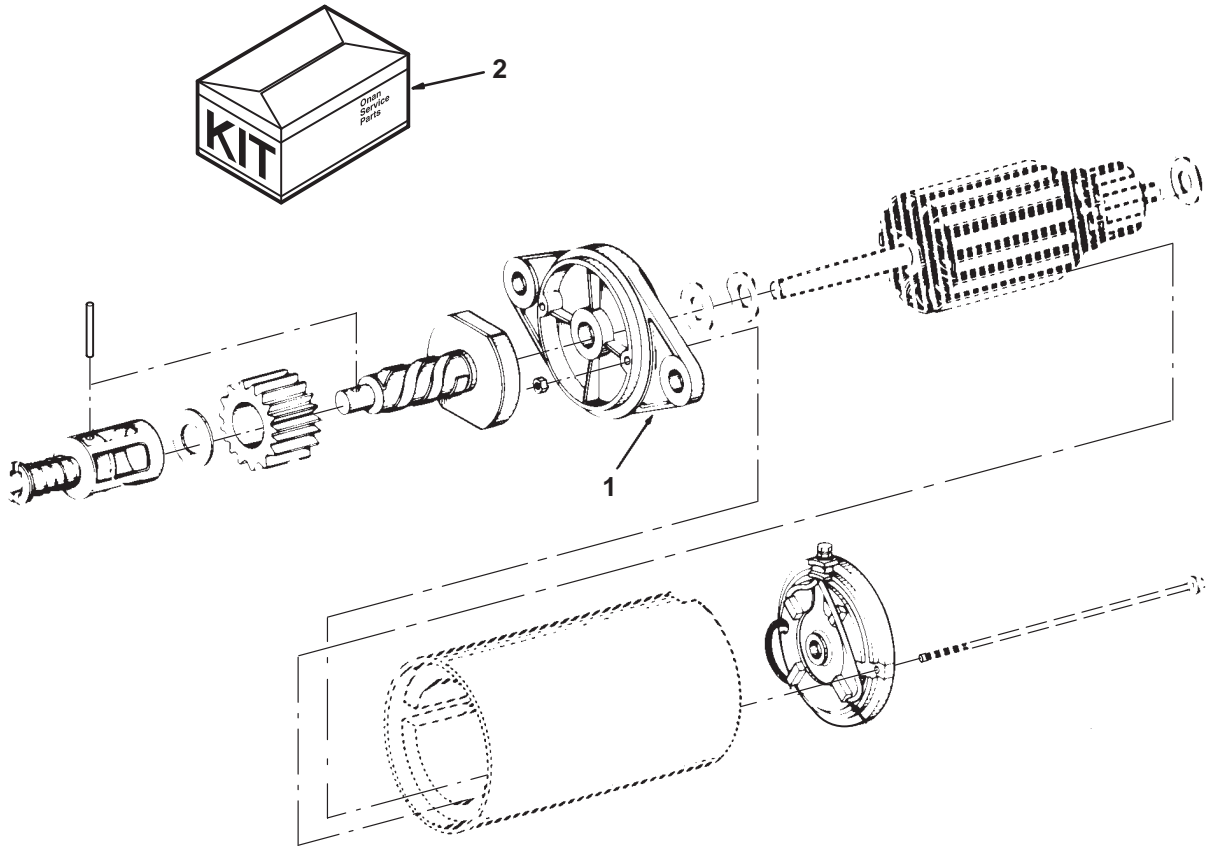
REF NO.	PART NO.	QTY USED	PART DESCRIPTION	REF NO.	PART NO.	QTY USED	PART DESCRIPTION
1	191-2158	1	Starter, 12 Volt	6	332-0942	1	Tie, Cable
2	850-0050	2	Washer, Lock (3/8")	7	226-3457	1	Lead, Starter (Includes Tube)
3	800-0052	2	Screw, Hex Head Cap (Special)	8	122-0345	1	Tube, Lead
4	862-0001	2	Nut, Hex (1/4-20)	9	862-0003	2	Nut, Hex (3/8-16)
5	850-0040	1	Washer, Lock (1/4")	10	332-3359	1	Clip, Harness

Starter Components For Starter – 191–1630



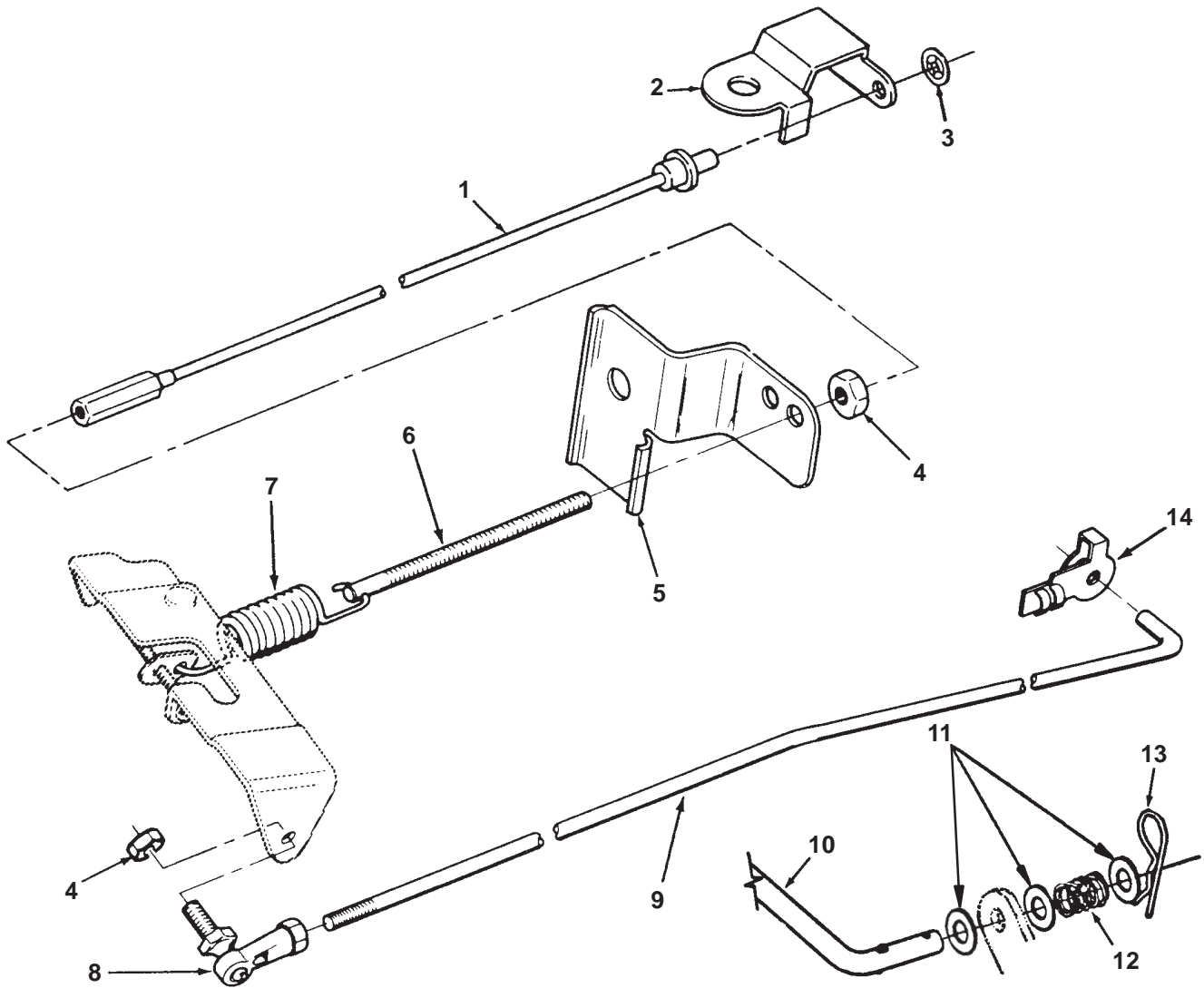
REF NO.	PART NO.	QTY USED	PART DESCRIPTION
1	191-2129	1	Kit, Starter Drive (Includes Spring Cover, Clutch Retainer, Drive Washer, Clutch and Spline, Starter Gear, Roll Pin, Pinion Washer, Pinion Spring Spring Retainer
2	191-1781	1	Cap, End
3	191-1776	1	Cap, Drive End

Starter Components For Starters – 191-2132 & 191-2158



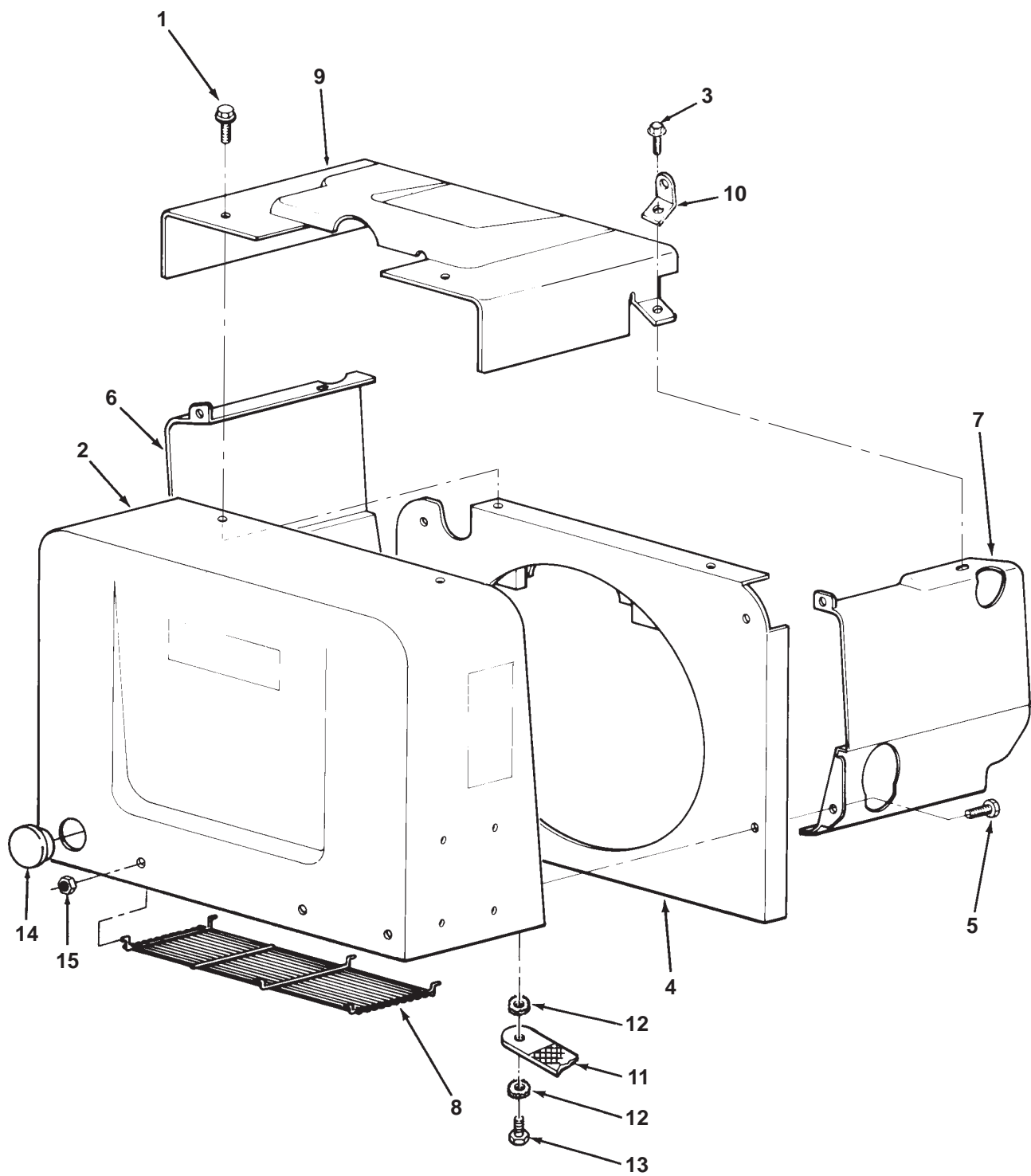
REF NO.	PART NO.	QTY USED	PART DESCRIPTION
1	191-2186	1	Cap, Drive
2	191-2187	1	Kit Assembly, Drive (Includes Washers, Retainers, Spring, Cover, Roll Pin, Pinion Gear, and Drive Clutch)

Governor



REF NO.	PART NO.	QTY USED	PART DESCRIPTION	REF NO.	PART NO.	QTY USED	PART DESCRIPTION
1	150-2294	1	Cable, Governor Adjust (Begin Spec H)	8	150-0939	1	Joint, Ball
2	150-2296-01	1	Bracket, Governor Adjust Cable (Begin Spec H)	9	150-2079	1	Rod, Governor Arm to Carburetor
3	518-0582	1	Retainer, Pushon (Begin Spec H)	10	150-2429	1	Rod, Throttle (Begin Spec H) Gasoline & LP Vapor
4	870-0131	2	Nut, Self-Locking Hex (10-32)	150-2469	1	LP Liquid	
5			Bracket, Zinc Plated Governor	150-2428	1	Begin Spec N	
	150-1958-02	1	Gasoline & LP Vapor	11	150-2589	3	Washer, Friction (Begin Spec H)
	150-2298-01	1	LP Liquid	12	150-2421	1	Spring, Compression
6	150-0096	1	Stud, Speed Adjustment	13	518-0006	1	Clip, Retaining - Units Before 5/90 and Spec H
7	150-1612	1	Spring, Governor (Spec D-J)	14	518-0606	1	Clip, Linkage (Begin Spec H)

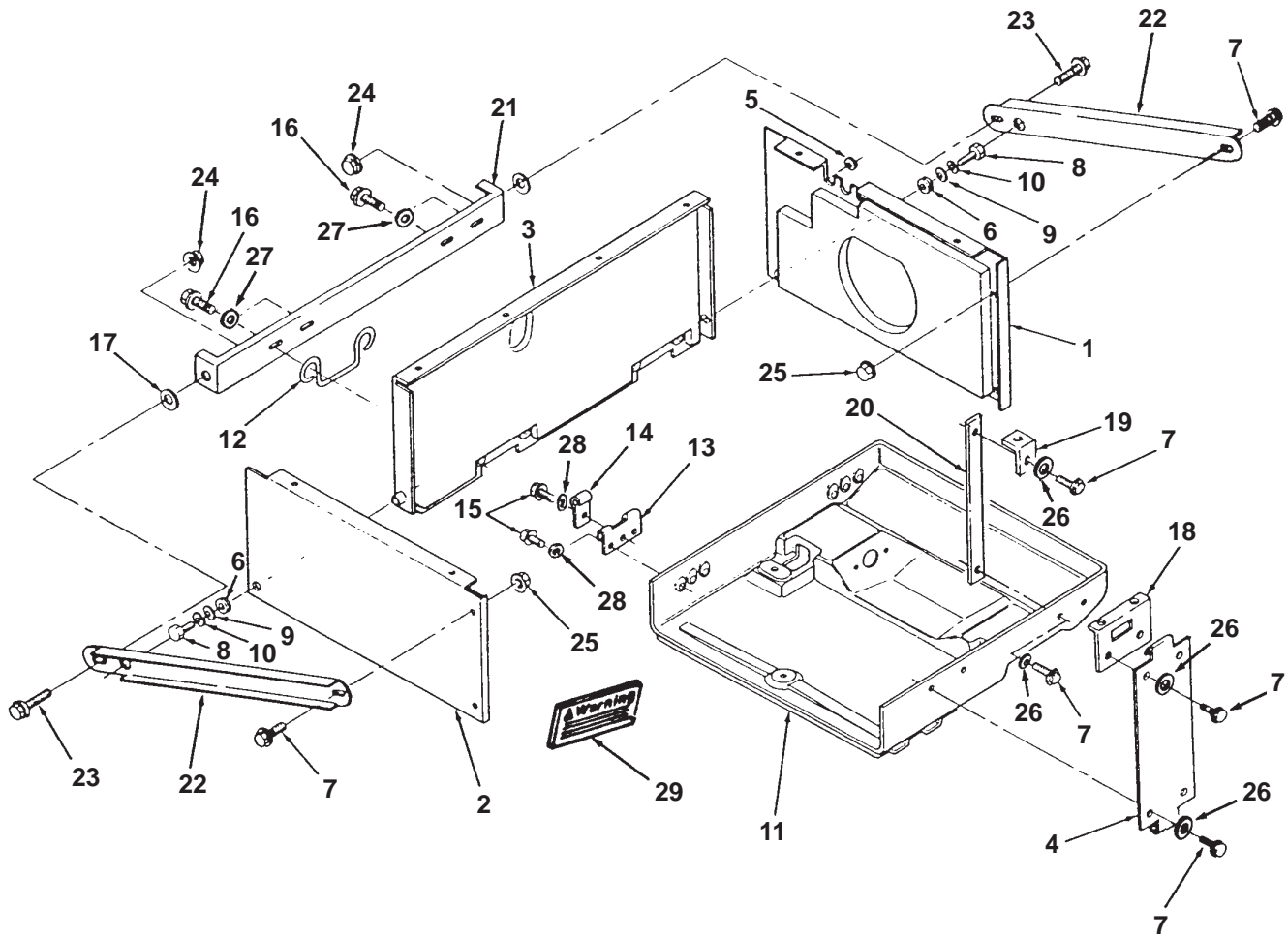
Air Housing



Air Housing

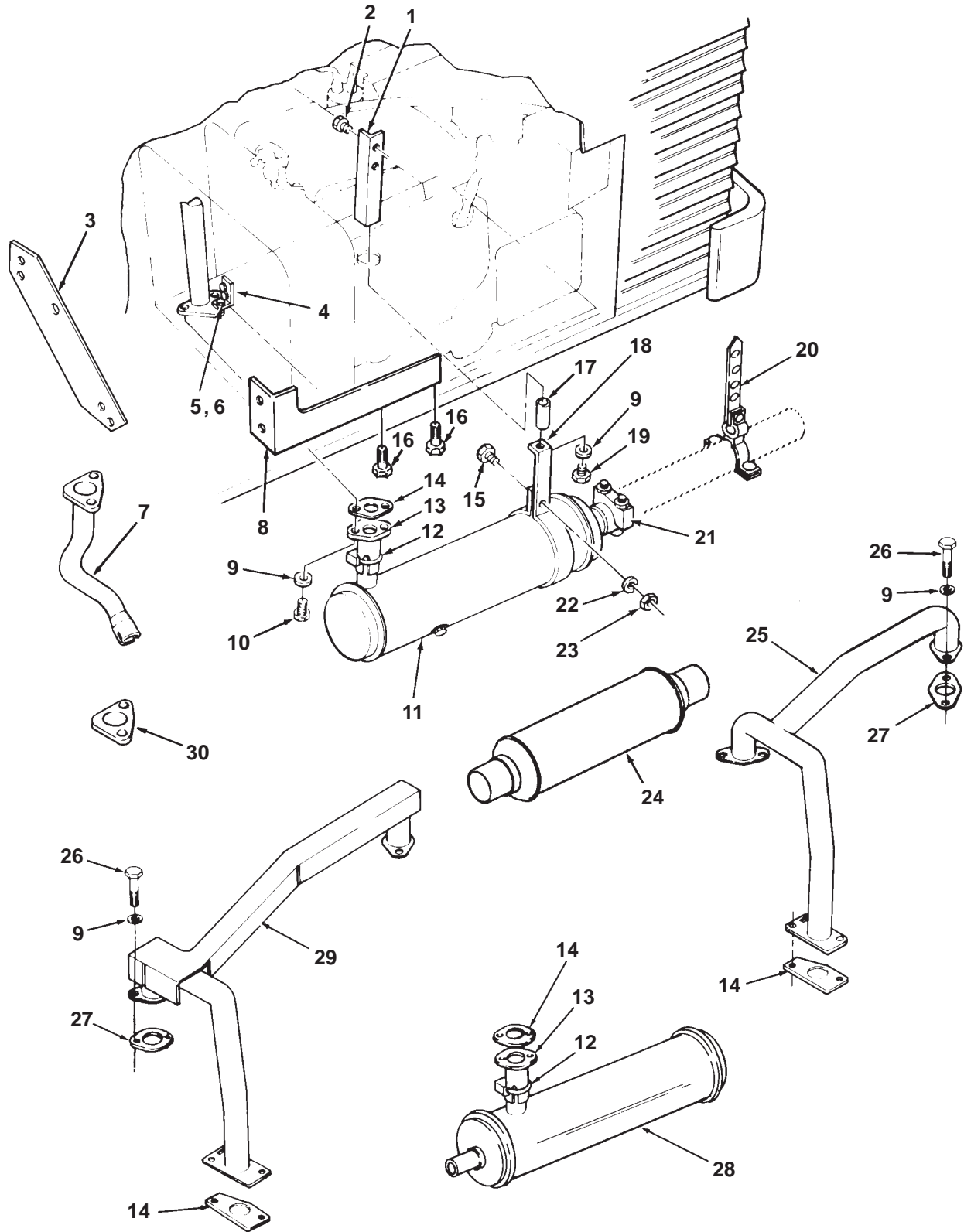
REF NO.	PART NO.	QTY USED	PART DESCRIPTION	REF NO.	PART NO.	QTY USED	PART DESCRIPTION
1	821-0010	2	Screw, Flanged Lock Head (1/4-20 x 1/2")	8	134-4384	1	Guard, Scroll
2			Scroll (Includes Baffle)	9			Shield, Noise – NHE Sets Only
	134-4503-71	1	NHE – Gasoline & LP Vapor		155-2545-51	1	Begin Spec H
	134-4503-72	1	NHEL – LP Liquid		155-2580	1	Spec D-G
3	815-0759	2	Screw, Thread Form Hex Head Taptite (5/16-18 x 1")	10	403-1523	2	Bracket, Lifting
4	134-4386-50	1	Backplate, Scroll	11	337-2311	1	Strap, Ground (Mounts Scroll To Drip Pan)
5	815-0261	5	Screw, Hex Head Tapping Cylinder Air Housing (Right Hand) (1/4-20 x 1/2")	12	856-0010	2	Washer, Lock (EIT 3/8")
6	134-4382	1	Housing, Left Air Cylinder	13	800-0048	1	Screw, Hex Head Cap (3/8-16 x 3/4")
7	134-4381-70	1	Housing, Right Air Cylinder	14	517-0283	1	Plug, Dot Button
				15	870-0415	6	Nut, Self-Tapping (1/8")

Housing Below Floor



REF NO.	PART NO.	QTY USED	PART DESCRIPTION	REF NO.	PART NO.	QTY USED	PART DESCRIPTION
1	405-3397	1	Panel, Right Housing	16	800-0048	4	Screw, Hex Head Cap (3/8-16 x .75)
2	405-3400	1	Panel, Left Housing	17	526-1518	4	Washer, Flat (7/16" Screw)
3	405-3394	1	Panel, Rear Housing	18	405-3406	1	Bracket, Housing
4	405-3401	1	Support, Housing	19	405-3597	1	Bracket, Support
5	508-0071	3	Grommet, Rubber	20	405-3604	1	Support (Includes Label) With Weld Nuts
6	508-0008	2	Grommet, Rubber		405-3781	1	Without Weld Nuts
7			Screw	21	405-3608	1	Brace, Rear
	821-0014	2	Hex Washer Head Self-Lock (5/16-18 x 1/2")	22	405-3607	2	Brace, Side
	800-0026	6	Hex Head Cap (5/16-18 x 3/4")	23	821-0033	2	Screw, Lock Head (7/16-14 x 3/4")
8	800-0002	2	Screw, Hex Head Cap (1/4-20 x .38)	24	870-0437	2	Nut, Lock (7/16-14)
9	526-0130	2	Washer, Flat (1/4" Screw)	25	870-0257	2	Nut, Lock (5/16-18)
10	850-0040	2	Washer, Lock (1/4)	26	526-0122	6	Washer, Flat (5/16" Screw)
11	403-2557-03	1	Pan, Drip	27	526-0174	4	Washer, Flat (3/8" Screw)
12	406-0566	2	Pin, Hinge	28	526-0382	6	Washer, Flat (1/4" Screw)
13	406-0567	2	Plate, Hinge	29	98-6402-01	1	Decal, Warning
14	406-0568	2	Support, Hinge				
15	800-0005	6	Screw, Hex Head Cap (1/4-20 x 3/4)	30	148-0912	1	Adapter, Carburetor

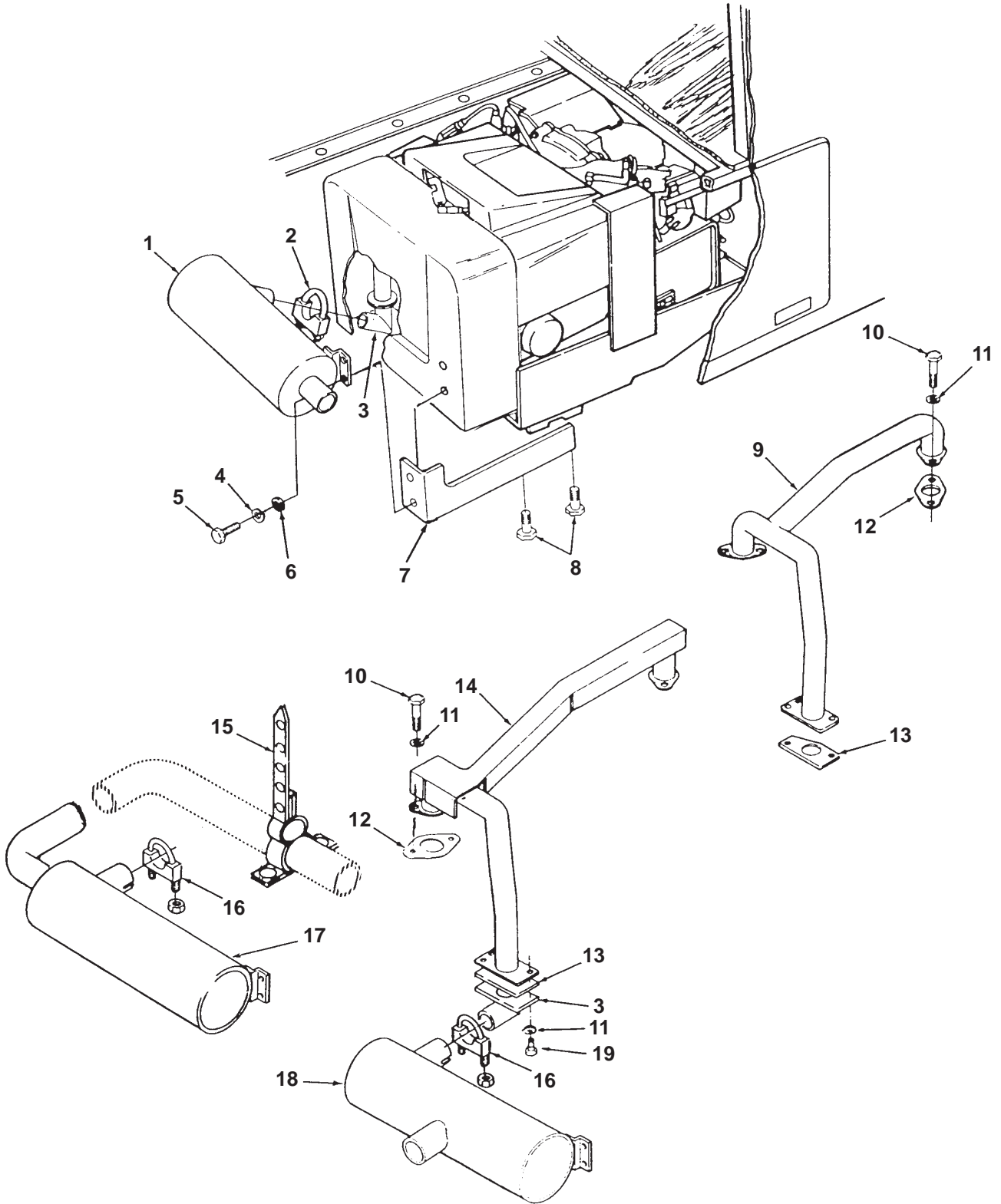
Exhaust System Above Floor Models



Exhaust System Above Floor Models

REF NO.	PART NO.	QTY USED	PART DESCRIPTION	REF NO.	PART NO.	QTY USED	PART DESCRIPTION
1	155-2084	1	Bracket, Muffler Spec D-G (Green)	16	821-0029	2	Screw, Hex Washer Head Self-Lock (3/8-16 x 3/4")
	155-2492	1	Spec H-J (Black Primer)	17	370-4027	1	Spacer, Muffler (2" Long)
	155-2084-02	1	Begin Spec K (Black E-Coat)				(Used Only on RV's with 6-1/4" Long Exhaust Adapter)
2	815-0261	2	Screw, Hex Washer Head Spec D,E (1/4-20 x 1/2")	18	155-2025-02	1	Strap, Muffler (5.77" Long)
	815-0290	2	Begin Spec G (1/4-20 x 5/8")	19			Screw, Hex Head Cap
3	154-2663	1	Bracket, Exhaust (Use With 154-2662 Tube)		800-0026	1	Use Without Spacer (5/16-18 x 3/4")
4	154-2538	1	Bracket, Exhaust Flange		800-0036	1	Use with Spacer (5/16-18 x 2-3/4")
5	800-0005	1	Screw, Hex Head Cap (1/4-20 x 3/4")	20	155-2174	1	Hanger, Exhaust
6	526-0018	1	Washer, Flat (1/4" Screw)	21	155-1015	1	Clamp, Muffler (1-1/2")
7	154-2662	1	Tube, Exhaust (11" Long) (Use With 154-2663 Bracket)	22	740-1004	1	Washer, Lock (M6)
8	155-2049-02	1	Bracket, Exhaust	23	862-0001	1	Nut, Hex (1/4-20)
9	740-1006	7	Washer, Flat (M8)	24	155-2449	1	Resonator, Exhaust (Gasoline Only)
10	800-0730	2	Screw, Hex Head Cap (5/16-18 x 1")	25	154-2541	1	Manifold, Exhaust - NHE
11	155-1258	1	Muffler, Spark Arrestor End Outlet, Side Inlet	26	800-0512	4	Screw (5/16-18 x 1") Hex Head Cap-NHEL
12	155-1239	1	Clamp, Muffler (1-5/8")		802-0055	4	Allen Head-NHE
13			Adapter, Exhaust (Flange Type)	27	154-2747	2	Gasket, Exhaust Manifold
	154-2683	1	6.25" Long	28	155-1485	1	Muffler, Spark Arrestor End Outlet, Side Outlet Near Inlet
	154-2540	1	4.25" Long	29	154-2638	1	Manifold, Exhaust (Includes Fuel Line and Heat Shield)
14	154-2542	1	Gasket, Exhaust				NHEL
15	800-0007	1	Screw, Hex Head Cap (1/4-20 x 1")	30	154-2537	1	Flange, Exhaust Manifold

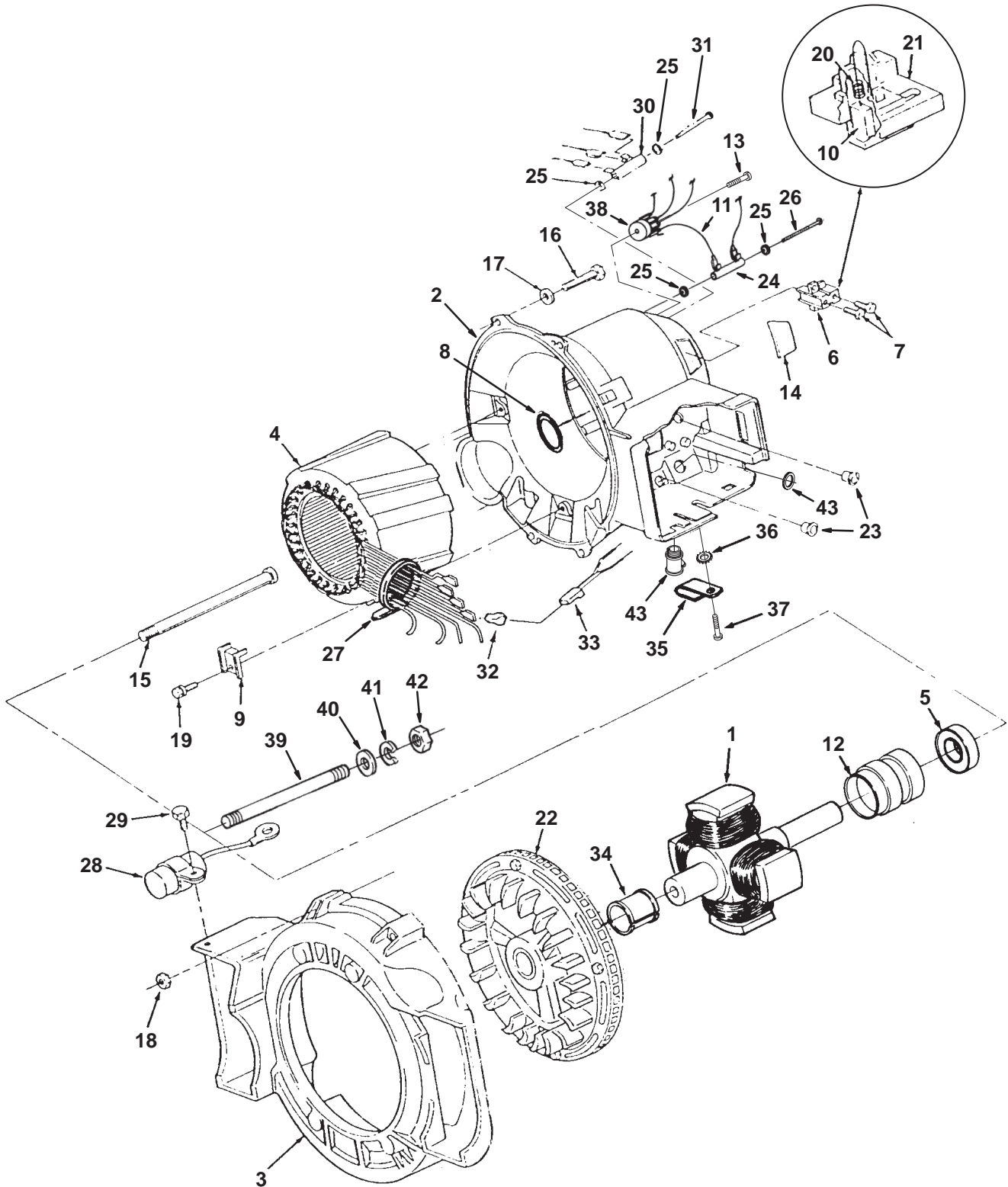
Exhaust System Below Floor



Exhaust System Below Floor

REF NO.	PART NO.	QTY USED	PART DESCRIPTION	REF NO.	PART NO.	QTY USED	PART DESCRIPTION
1	155-2085	1	Muffler, Spark Arrestor (Side Inlet, Opposite End Outlet)	12	154-2747	2	Gasket, Exhaust Manifold
2	155-1256	1	Clamp, Muffler (1-1/4")	13	154-2542	1	Gasket, Exhaust – Use With Adapter 154-2539
3	154-2539	1	Adapter, Flange Type Exhaust	14	154-2638	1	Manifold, Exhaust (Includes Fuel Line and Heat Shield)
4	850-0040	2	Washer, Lock (1/4")				NHEL – Front Outlet
5	800-0004	2	Screw, Hex Head Cap (1/4-20 x 5/8")	15	155-2174	1	Hanger, Exhaust Pipe
6	526-0130	2	Washer, Flat (1/4" Screw)	16	155-1015	1	Clamp, Muffler (1-1/2")
7	155-2049-02	1	Bracket, Exhaust (9.19" Long)	17	155-2164	1	Muffler, Spark Arrestor (Side Inlet, Same End Outlet)
8	821-0029	2	Screw, Hex Washer Head Self-Lock (3/8-16 x 3/4")	18	155-2086	1	Muffler, Spark Arrestor (Side Inlet, Opposite Side Outlet)
9	154-2541	1	Manifold, Exhaust (NHE)				
10	800-0512	4	Screw, Cap, Hex Head (5/16-19 x 1") NHEL	19	800-0730	2	Screw, Hex Head Cap – Use with Exhaust Adapter 154-2539
	802-0055	4	Allen Head (5/16-18 x 1") NHE				
11	850-0045	6	Washer, Exhaust Manifold Lock (5/16")				

Generator



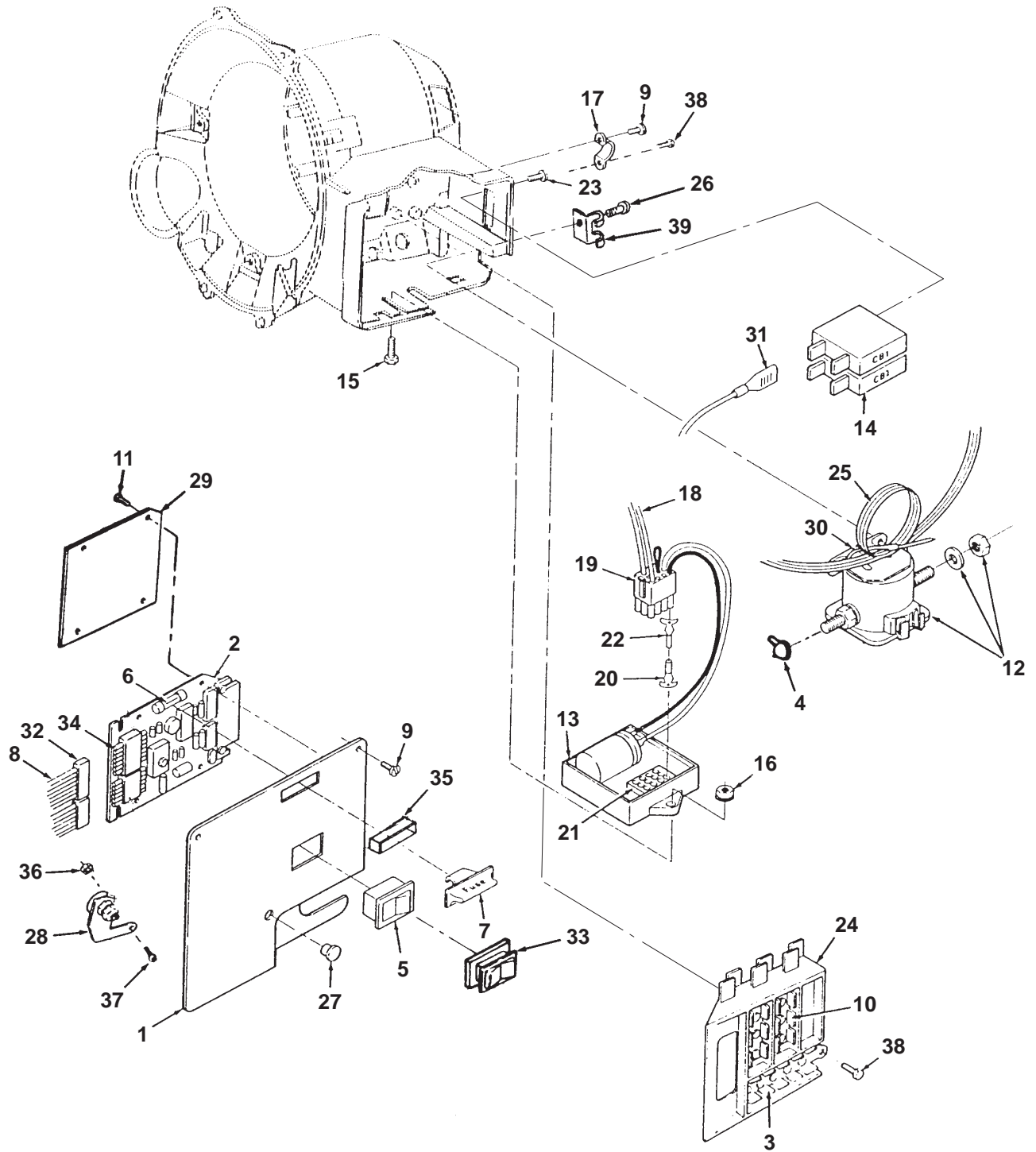
Generator

REF NO.	PART NO.	QTY USED	PART DESCRIPTION	REF NO.	PART NO.	QTY USED	PART DESCRIPTION
1	201-3388-03	1	Rotor, Wound (Includes Fan, Ball Bearing and Collector Ring)	21	212-1286	1	*Block, with Terminal
2			Housing, Stator (Includes Tolerance Ring)	22	205-0165	1	+Fan and Gear, Armature
	220-4133	1	Spec D-M	23	508-0272	2	Grommet, Nylon (.68" ID)
	220-4532-01	1	Begin Spec N	24			Resistor, Battery Charger (R6) (25 Watts)
3			Adapter, Generator		304-0794	1	Spec A-J
	231-0359	1	Spec D-M		304-0797	1	Begin Spec K
	231-0382-01	1	Begin Spec N	25			Washer, Resistor Center (Spec A-J)
4			Stator, Wound		304-0796	4	Gasoline
	220-4135-03	1	5.0kW (50 Hz)		304-0796	2	LP Gas
	220-4135-04	1	6.3kW and 6.5kW (60 Hz)	26	815-0660	1	Screw, Hex Head (10-32 x 2-1/2")
5	510-0099	1	Bearing, Ball	27	332-0941	1	Tie, Cable
6	212-1285	1	Block, Generator Brush (Includes Parts Marked *)	28	312-0256	1	Condenser, Ignition (Beginning 9/87)
7	815-0788	2	Screw, Pan Head Torx (10-32 x 7/8")	29			Screw, Hex Washer Head Thread Form
8	509-0196	1	O'Ring, Stator Housing		815-0340	1	Use Begin 9/87 (10-32 x 3/8")
9	232-2955-02	3	Clamp, Stator (60 Hz)		815-0770	1	Begin Spec G (Special)
10	214-0103	2	*Brush, Generator	30	304-0798	1	Resistor, Gasoline Fuel Pump (Spec A-J)
11			Connection, Resistor				Screw, Pan Head (Special) (Spec A-J)
	226-3492-01	1	Lead, Resistor (Spec A-J)	31	815-0712	1	Screw, Pan Head (Special) (Spec A-J)
	338-3010	1	Harness, Wiring (Begin Spec K)	32	323-1298	2	Connector, Tab
12	204-0134	1	Ring, Armature Collector	33			Connector, Receptacle
13			Screw, Pan Head (Special)		332-0819	2	60 Hz
	815-0691-01	1	Spec A-J		332-0819	3	50 Hz
	815-0788	1	Begin Spec K	34	518-0460	1	Ring, Tolerance
14	212-1284	1	Cover, Brush Block	35	518-0533	1	Clip, Wire (Below Floor Gasoline Models) (Begin Spec J)
15	802-1038	1	Screw, Armature Socket				Washer, ET (10-32)
16			Screw, Hex	36	853-0013	1	Screw, Pan Head Thread Form (10-32 x 1/2")
	800-0575	5	Flange Head (3/8-16 x 1-1/8") Spec D	37	815-0661	1	Bridge, Rectifier (CR10)
	800-0052	4	Cap (3/8-16 x 1-1/2") Begin Spec E	38	305-0718	1	Stud - 13.125" Long Extended Shaft
	800-0575	4	Begin Spec G	39	520-0961-02	1	Washer, Flat (7/16")
	815-0908	4	Begin Spec N (3/8-16 x 1-1/2)	40	526-0032	1	Washer, Lock (7/16")
17			Washer	41	850-0055	1	Nut, Hex (7/16-20)
	526-0251	4	Flat (3/8" Screw) Spec D	42	870-0203	1	Connector, Conduit
	850-0050	4	Lock (3/8") (Spec E-M Only)	43	331-0536	1	
18	862-0003	4	Nut, Hex (3/8-16) (Spec D-M Only)				
19	815-0646	3	Screw, Hex Washer Head Cap (1/4-20 x 3/4")				
20	212-1276-03	2	*Spring, Generator Brush				

* - Parts Included in 212-1285 Generator Brush Block.

+ - When ordering Fan and Gear 205-0165, Also Replace Tolerance Ring 518-0460.

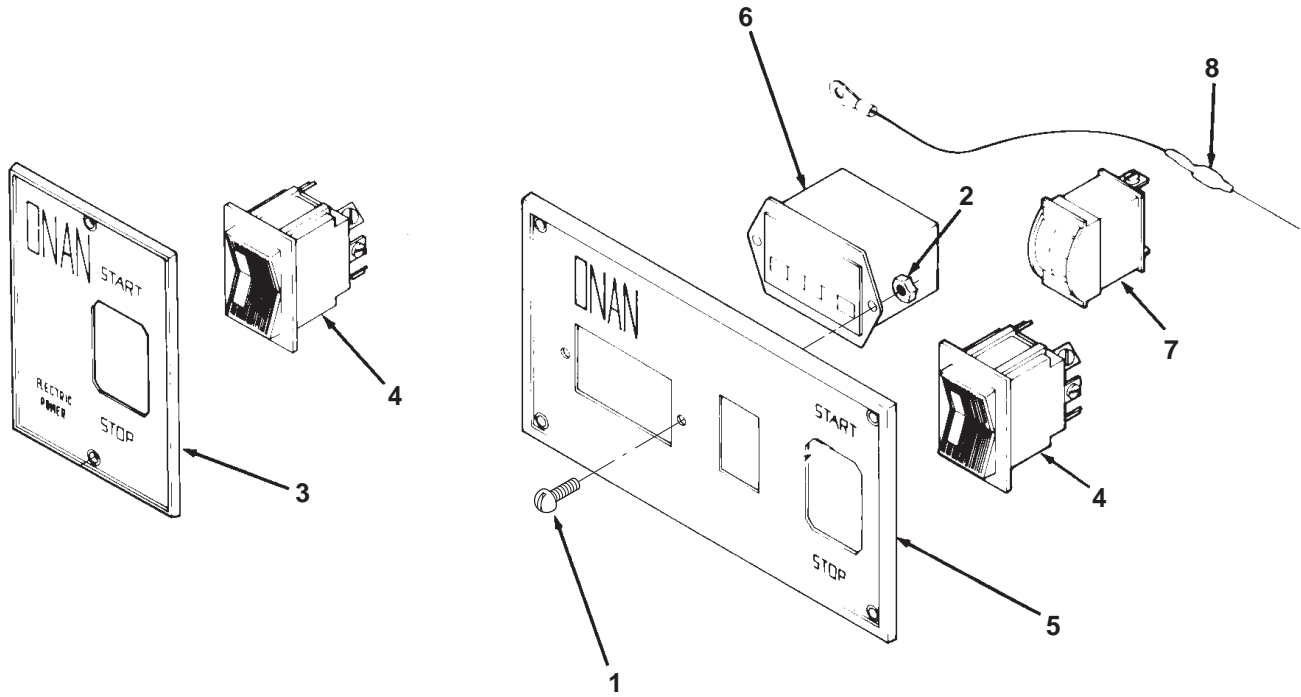
Control



Control

REF NO.	PART NO.	QTY USED	PART DESCRIPTION	REF NO.	PART NO.	QTY USED	PART DESCRIPTION
1			Cover, Control		320-1548-03	1	25 Ampere (50 Hz)
	301-9730	1	60 Hz Spec D-G – Also Volt Code FA, Spec H,J	15	821-0003	1	Screw, Hex Head (#10-32 x 1")
	319-1238	1	Begin Spec H	16	870-0131	1	Nut, Hex (W/ET) (#10-32) (Metric)
	319-1238-04	1	Begin Spec N	17	232-3265-02	1	Clamp, Conduit
			50 Hz	18			Harness, Voltage Regulator (Includes 12 Pin Housing)
	301-9875	1	Spec D-G		338-2076	1	60 Hz
	319-1237	1	Begin Spec H		338-2083	1	50 Hz
	319-1238-20	1	Used On 6.5 NHE FA 11579 N (Has (2) 30 Amp Circuit Breakers)		338-2083-01	1	120/240 Volt – 50 Hz, Single Phase
2			Board, PC	19	323-1314	1	Connector (12 Pin)
	300-3950	1	Spec D-G	20			Socket, Contact
	300-3763-03	1	Begin Spec H		323-1200	6	60 Hz
	300-4901-03	1	Begin Spec N		323-1200	4	50 Hz
3	332-2868	1	Terminal, Ground	21	323-1371	1	Header (12 Pin)
4	332-2112	1	Insulator, Start Solenoid Terminal (Optional)	22	323-1199	12	Pin, Contact
5	308-0844	1	Switch, Rocker	23			Screw
6	321-0298	3	Fuse, Slo Blow 5 Amp		812-0061	4	Round Head (#6-32 x 3/8")
7	321-0295	1	Holder, Fuse (Holds Spare Fuses)		815-0662	4	Hex Head, Slotted W/IT (#6-32 x 1/2")
8			Harness, Wiring (Includes Housing) (See Separate Page for Components)	24			Block, Terminal
	338-2041	1	8 Pin		332-2859-02	1	60 Hz
	338-2040	1	8 Pin		332-2859-01	1	50 Hz
	338-2636	1	Begin Spec H – Volt Code FA, FN – Gasoline & LP Liquid – 12 Pin	25			Harness, AC Outlet
	338-2636-01	1	8 Lead – Gasoline (Begin Spec H – Volt Code FA, FN – 12 Pin		338-2058	1	Gasoline, LP Liquid – Volt Code FA, FN, FP
	338-2636-02	1	8 Lead – Lp Liquid – Begin Spec H – Volt Code FA, FN		338-2058-01	1	LP Liquid – Volt Code FA 60 Hz – Begin Spec H Single Phase
	338-3479	1	Begin Spec N & Up	26	815-0692-02	1	Screw, Pan Head (1/4-20 x 1")
9	815-0661	11	Screw, Pan Head Thread Cutting (10-32 x 1/2")	27	517-0133	1	Plug, Hole – 50 Hz
10	332-1815	2	Tab, Terminal	28	303-0276	1	Potentiometer – 50 Hz
11	815-0550	4	Screw, Pan Head Cross- Recessed (#6-32 x .38")	29	332-3075	1	Insulator, PC Board – .005" Thick – Begin Spec H
12	307-2570	1	Solenoid, Start (Includes Nuts and Washers)	30	332-0941	2	Tie, Cable
13			Regulator, Voltage	31			Lead, Circuit Breaker
	305-0809-01	1	60 Hz		226-3504	2	60 Hz
	305-0809-03	1	50 Hz		226-3504	1	50 Hz
14			Breaker, Circuit		226-3504-01	1	50 Hz
	320-1323	1	30 Ampere (60 Hz)	32	323-1312	1	Connector, 8 Pin
	320-1323	2	Used On 6.5 NHE FA 11579 N (Sales Code K285)	33	308-0949	1	Cover, Switch (Rocker)
	320-1683	1	20 Ampere (60 Hz)	34	323-1302	8	Pin, Contact – Gasoline Units
	320-1683	2	Volt Code FA (Begin Spec H)	35	321-0287	1	Insulator, Fuse
				36	870-0183	1	Nut, ET Hex (#6) (50 Hz)
				37	815-0385	1	Screw, Round Head Machine (6-32 x 1/2") (50 Hz)
				38	815-0691-01	1	Screw, Pan Head (Special)
				39	321-0323-02	1	Bracket, Fuse Holder (Begin Spec K)

Remote Start Control

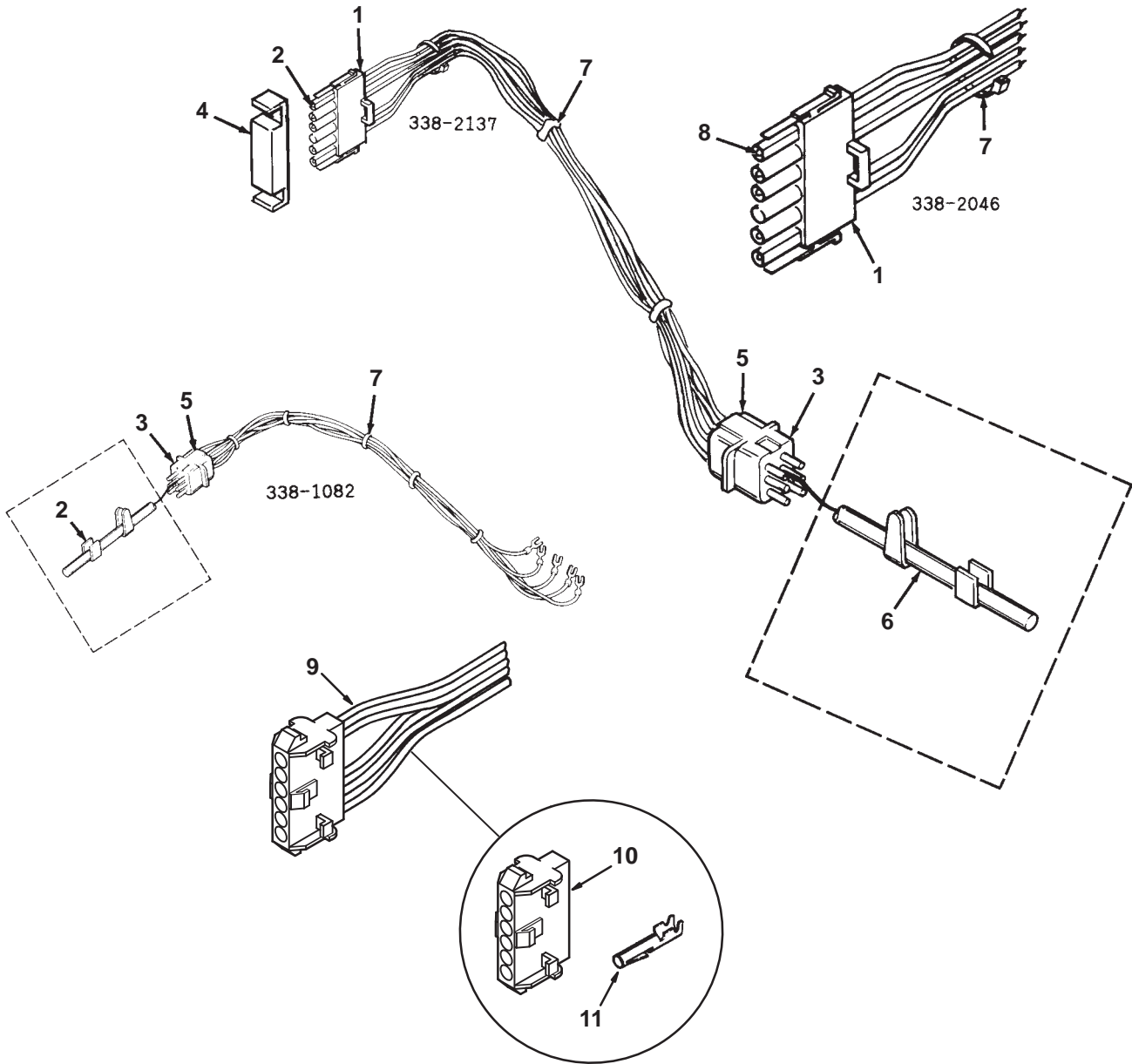


REF NO.	PART NO.	QTY USED	PART DESCRIPTION	REF NO.	PART NO.	QTY USED	PART DESCRIPTION
	300-2313	1	Kit, Standard Remote Control Starting (Includes Parts Marked *)	4	308-0341	1	*+Switch, Rocker
	300-2314	1	Kit, Deluxe Remote Control Starting (Includes Parts Marked +)	5	301-3606	1	+Panel, Control
1	815-0385	2	+Screw, Round Head Machine (#6-32 x 1/2")	6	302-0885	1	+Meter, Time Totalizing
2	860-0006	2	+Nut, Hex Head (#6-32)	7	302-0888	1	+Meter, Battery Condition
3	301-3566	1	*Panel, Control	8	359-0034	1	+Diode

* - Parts Included In 300-2313 Control.

+ - Parts Included In 300-2314 Deluxe Control.

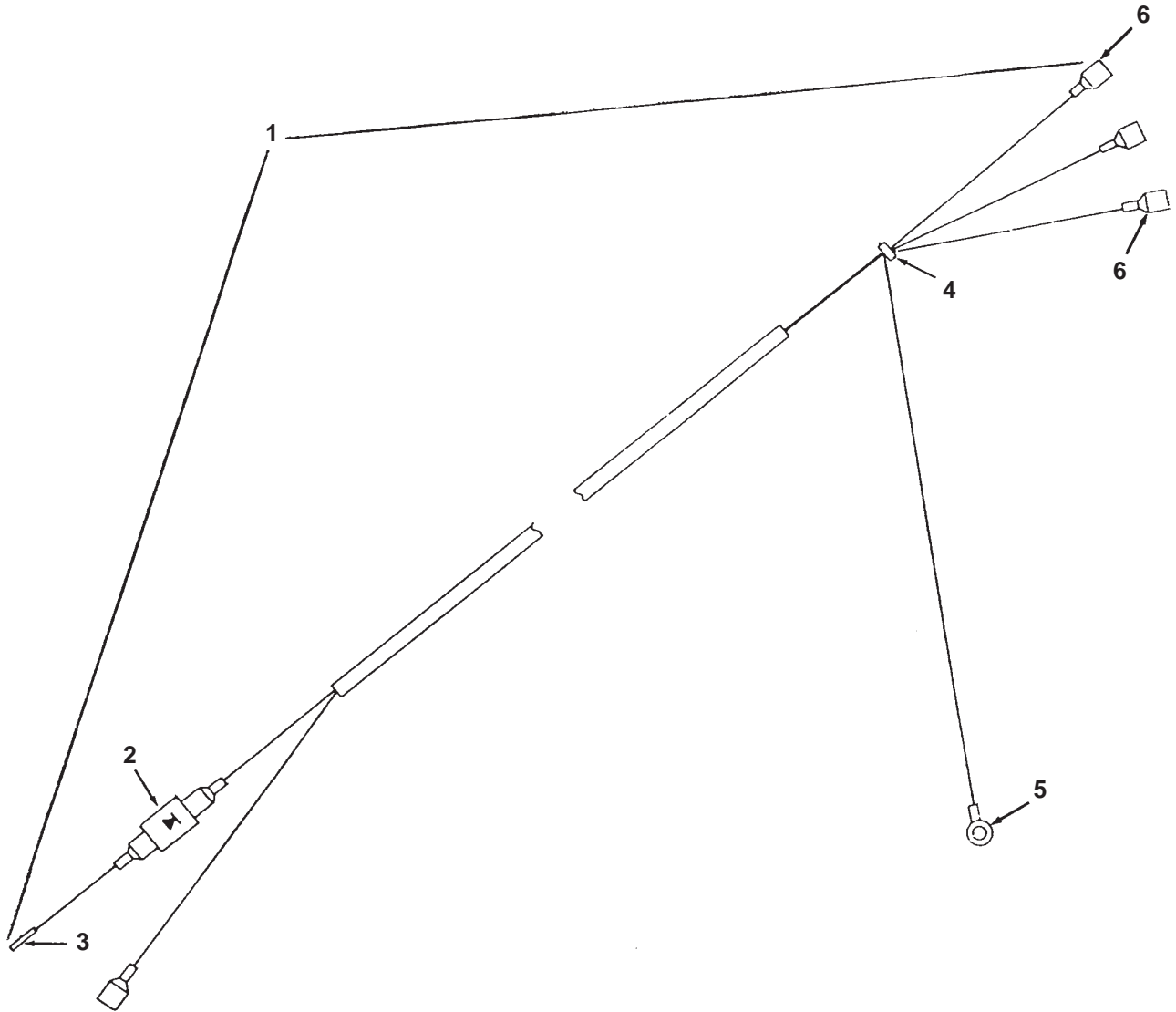
Remote Wiring Harness



REF NO.	PART NO.	QTY USED	PART DESCRIPTION	REF NO.	PART NO.	QTY USED	PART DESCRIPTION
	338-1082	1	Harness, Remote Wiring 6" Without Socket (Includes 5 Connector Pins)	5	323-0400	1	Housing, Connector Pin
	338-1080	1	10 ft	6	323-0488	1	Socket, Connector – Female
	338-1081	1	30 ft	7	332-0942	1	Tie, Cable
	338-2137	1	6" With Socket	8	323-1199	5	Pin, Contact
	338-2046	1	Without Socket (Includes 5 Contact Pins)	9	338-3572	1	Harness, Adapter (Includes Parts Marked *) (Use With Gasoline and LP Kits 300-4936, 300-4937, & 300-2938)
1	323-1304	1	Housing, Connector	10	323-1342	1	*Housing, Terminal
2	323-0500	6	Pin, Connector – Male Use With 6 Pin Harness	11	323-1200	5	*Socket, Contact
	323-0500	5	Use With 5 Pin Harness				
3	323-0440	1	Housing, Socket Pin				
4	323-1303	1	Connector, 6 Pin				

* – Parts Included in Adapter Harness.

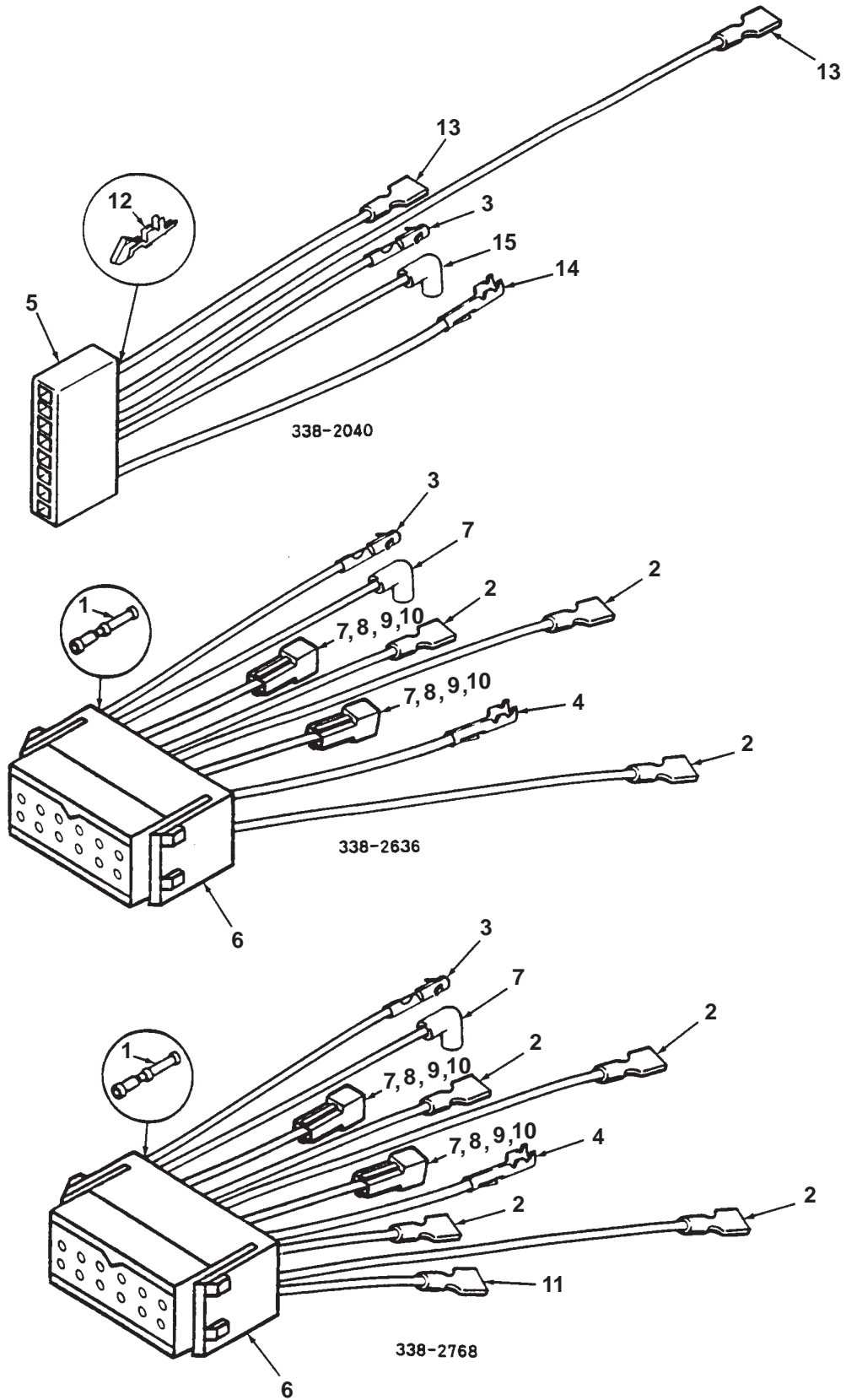
Ignition Relay Wiring Harness



REF NO.	PART NO.	QTY USED	PART DESCRIPTION	REF NO.	PART NO.	QTY USED	PART DESCRIPTION
1	338-2317	1	Harness, Ignition Relay Wiring BGEL – Spec E (Includes Parts Marked *)	5	332-0147	1	Terminal, Ring * #10 – Red
	338-2644	1	LP Liquid – Begin Spec H (Includes Parts Marked +)	6	332-0806	1	+ #8 – Blue
2	357-0067	1	*+Rectifier, Silicon		332-1992	2	* Red
3	323-1440	1	*Brass, Gold Plated		332-1993	2	+ Blue
	323-1486	1	+13 Ampere				
4	332-0942	1	*+Tie, Cable				

* – Parts Included in 338-2317 Wiring Harness.
+ – Parts Included in 338-2644 Wiring Harness.

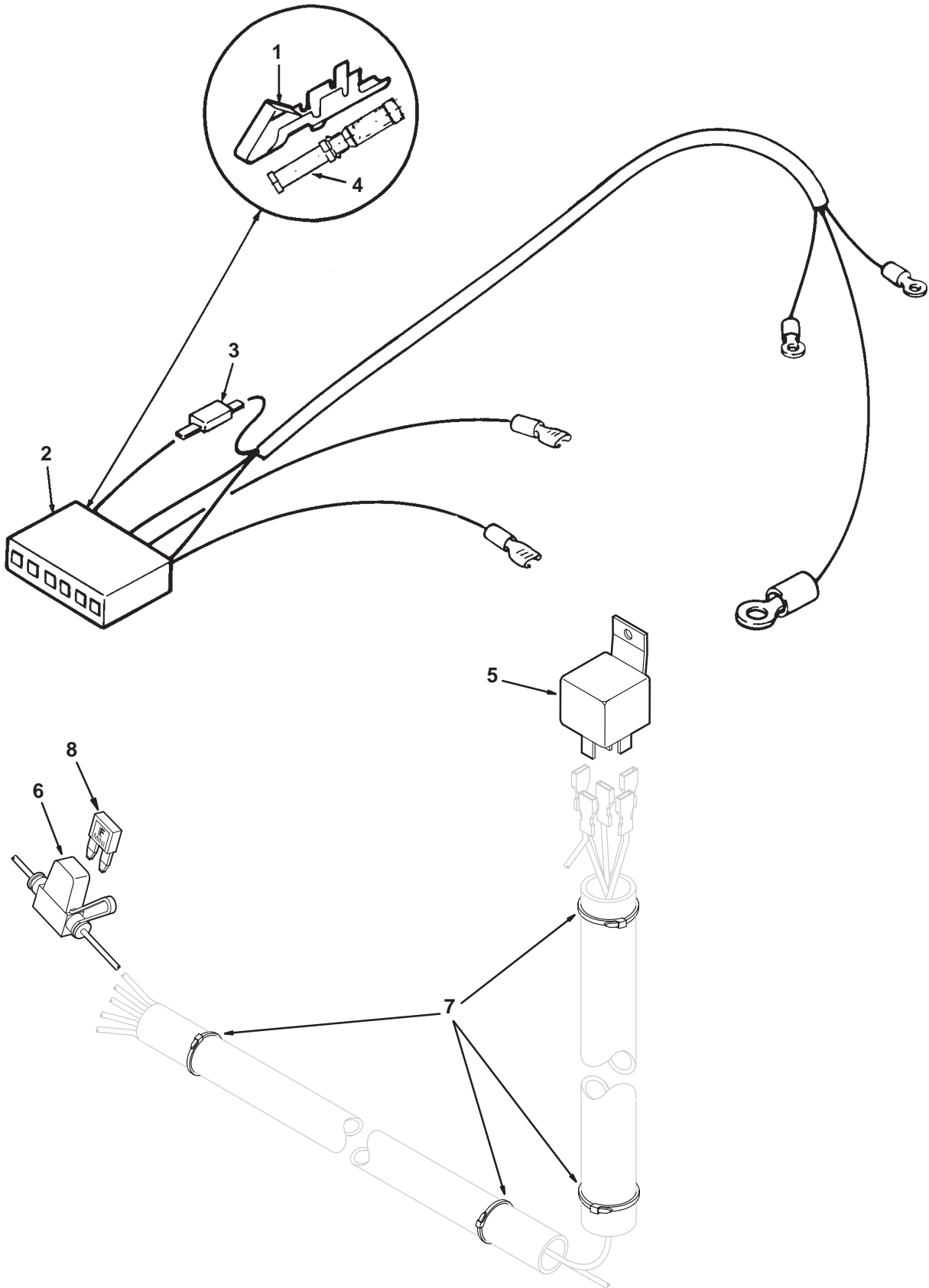
PCB #1 Wiring Harness



PCB #1 Wiring Harness

REF NO.	PART NO.	QTY USED	PART DESCRIPTION	REF NO.	PART NO.	QTY USED	PART DESCRIPTION
			Harness, Wiring	3	323-1200	1	Socket, Contact
338-2040		1	Spec A-G Volt Code FA, FN, FP - 8 Pin Housing 5 Wire	4	332-0529	1	Terminal, Receptacle
			Spec H	5	323-1312	1	Housing, Connector - 8 Pin
338-2636-01		1	Volt Code FA, FN Gasoline	6	323-1487-03	1	Housing, Connector - 12 Pin
			5.0NHE, 6.5NHE	7	332-2572	1	Terminal, Receptacle
338-2636-02		1	Volt Code FA, FN	8	332-2938	1	Terminal - Gasoline
			LP Liquid-NHE	9	332-2301	1	Terminal - LP Liquid
338-2636		1	Volt Code FA, FN Single	10	323-1298	2	Connector
			Phase	11	332-2431	1	Terminal
			Spec J	12	323-1440	5	Pin, Contact - Volt Code FA, FN, FP
338-2768-02		1	Volt Code FA, FN LP Liquid	13	332-1992	2	Terminal, Receptacle (Spec G)
			12 Pin Housing				Volt Code FA, FN, FP
338-2768-01		1	Volt Code FA, FN Gasoline	14	332-1477	1	Terminal, Solderless (Spec G)
			12 Pin Housing				Volt Code FA, FN, FP
338-2895		1	Begin Spec K	15	332-2571	1	Terminal, 90° Receptacle
1	323-1486	12	Socket, Contact				(Spec G) Volt Code FA, FN, FP
2	332-1993	3	Terminal, Receptacle				

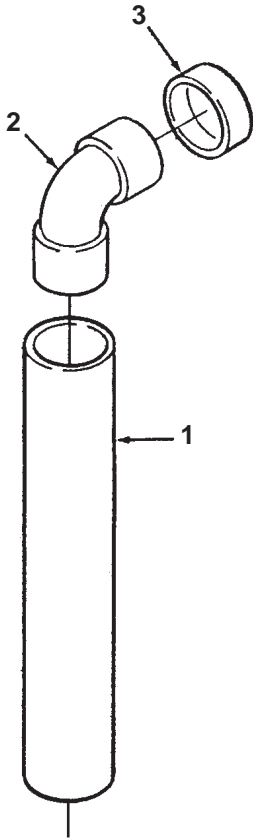
PCB #3 Wiring Harness



PCB #3 Wiring Harness

REF NO.	PART NO.	QTY USED	PART DESCRIPTION	REF NO.	PART NO.	QTY USED	PART DESCRIPTION
			Harness, PCB #3 Wiring				Gasoline Units
			Spec A-G		323-1302	8	Use With 8 Pin Housing -
			Gasoline				Gasoline Units
	338-2041	1	6"		323-1440	8	Use With 8 Pin Housing -
	338-2086	1	LP				LP Liquid/Vapor
			Spec H		2		Housing
	338-2634	1	Gasoline		323-1329	1	6 Pin
	338-2635	1	LP		323-1312	1	8 Pin
			Spec J		323-1487-03	1	12 Pin
	338-2766	1	Gasoline		3 357-0067	1	Rectifier - NHEL (CR5)
	338-2767	1	LP		4 323-1486	1	Socket, Contact
	338-3054	1	Begin Spec K, Gasoline		5 307-1886	1	*Relay (K4)
			(Includes Parts Marked *)		6 321-0322-01	12	*Holder, Fuse
1			Pin, Contact		7 332-1445	1	*Tie, Cable
	323-1302	6	Use With 6 Pin Housing -		8 321-0321-06	1	*Fuse (10A) (F2)

**Breather Tube Bypass
(Cold Weather Use Only)**



REF NO.	PART NO.	QTY USED	PART DESCRIPTION
1	503-1551	1	Tube, Breather
2	502-1026	1	Elbow, 90°
3	517-0260	1	Plug, Cap

Labels, Paint, Thread Sealant, Gasket Kits, and Carburetor Kits

REF NO.	PART NO.	QTY USED	PART DESCRIPTION	REF NO.	PART NO.	QTY USED	PART DESCRIPTION
	98-5313	1	Label, Warning (Above Floor Model)		525-0394	1	Paint, Enamel (Touch-Up) Flat Black, Pressurized Can (16 oz.)
	98-6105-01	1	Label, Preheat (Gasoline)				
	98-5634	1	Decal (Emerald III) – 60 Hz		146-0617	1	Kit, Auto-Choke Carburetor Conversion (Spec D-J) (Includes Parts Marked #)
	98-5806	1	Decal (Emerald III) – 50 Hz				
	98-5755	1	Label, Warning (Hazardous Voltage)		G-0194	1	#Instruction Sheet
	98-5777-01	1	Label, Warning (Improper Operation)		98-6566	1	#Label, Fuse
	98-5958	1	Label, LP Kit		98-6587-04	1	#Label, Kit Number
	98-5142	1	Label, Warning (Fire Hazard)		98-6618-01	1	#Label, Oil Fill
	98-5815	1	Service Instructions		123-1961	1	#Cap, Oil Fill
	98-6074-02	1	Label, Warning (Operation, Maintenance and Service) (2.38" Size)		140-2308	1	#Gasket, Airhorn SubAssembly
					140-2725	1	#Adapter Assembly
	98-6285-07	1	Silkscreen, Model Ident 60 Hz – 6500 – Gasoline		141-0950	1	#Gasket, Carburetor
					145-0667	1	#Rod, Air Inlet
	98-6285-06	1	Silkscreen – Model Ident 60 Hz – 6300 – LP		146-0665	1	#Carburetor, Auto Choke
					150-2421	1	#Spring, Compression
	98-6284	1	Silkscreen – Model Ident Emerald Plus		150-2470	2	#Washer, Friction
					167-0272	2	#Plug, Spark
	98-7502-02	1	Silkscreen, Model Ident (Shows 6500 Genset and Used With 6.5 NHE With (2) 30 Amp CB)		226-4599	1	#Lead Assembly, Engine
					304-0797	1	#Resistor
	98-6276	1	Label, Warning (Fire Prevention)		305-0718	1	#Bridge, Rectifier
					321-0323-02	1	#Bracket, Fuse Holder
	98-6418-01	1	Label, Oil Fill		332-1445	5	#Tie, Cable
	98-6041	1	Label, Warning (Voltage-Gas)		338-2895	1	#Harness, PCB #1
	98-6388-02	1	Label, Phone Info.		338-3010	1	#Harness, Battery Charging
	98-5821	1	Label, Listed – RV 60 Hz		338-3054	1	#Harness, Engine
	98-6552	1	Silkscreen, Model Ident 6300 LP		502-0028	1	#Plug, Hex Head Pipe
					509-0096	1	#Seal, O-Ring
	98-6959-01	1	Label, EC Listed (50 Hz)		509-0313	1	#O-Ring
	98-6547	1	Label, CSA		518-0606	1	#Clip, Linkage
	518-0452	1	Sealant, Thread (50cc Bottle)		815-0181	1	#Screw, Hex Head Thread Cutting With ET
	525-0305	1	Paint, Enamel Touch-Up Green (Non-Metallic) 13 oz. Pressurized Can		815-0590	3	#Screw, Special
					815-0788	1	#Screw, Pan Head Torx
	518-0602	1	Loctite, Bottle (250cc)		862-0015	1	#Nut, Hex

– Parts Included in Auto-Choke Carburetor Kit.

Numerical Index

<u>Part No.</u>	<u>Page</u>	<u>Part No.</u>	<u>Page</u>	<u>Part No.</u>	<u>Page</u>	<u>Part No.</u>	<u>Page</u>
098-5142, 59		101-0450-20, 7		110-3462, 7		120-0161, 9	
098-5313, 59		101-0450-30, 7		110-3462-01, 7		120-0398, 7	
098-5634, 59		101-0782, 7		110-3462-02, 7		120-0491, 9	
098-5755, 59		102-0743, 15		110-3462-03, 7		120-0680, 9	
098-5777-01, 59		102-0938, 15		110-3462-04, 7		122-0320, 13	
098-5806, 59		102-1286, 15		110-3549, 7		122-0323, 13	
098-5815, 59		102-1387, 15		110-3575, 7		122-0345, 34	
098-5821, 59		103-0772, 12		110-3604, 7		122-0352-50, 13	
098-5958, 59		103-0810, 12		112-0069, 7		122-0771, 13	
098-6041, 59		104-0032, 10		112-0265, 7		123-1174, 7	
098-6074-02, 59		104-0043, 10		112-0265-01, 7		123-1175, 7	
098-6105-01, 59		104-0091, 7		112-0265-02, 7		123-1615, 17, 21, 23	
098-6276, 59		104-0170, 10		112-0265-03, 7		123-1616, 15	
098-6284, 59		104-0575, 7		112-0265-05, 7		123-1653, 7	
098-6285-06, 59		104-0776, 7		112-0267, 7		123-1654, 7	
098-6285-07, 59		104-1584, 10		112-0268, 7		123-1871, 7	
098-6388-02, 59		104-1736, 10		113-0296, 9		123-1961, 15, 59	
098-6402-01, 41		105-0332, 11		113-0296-05, 9		134-4342-01, 10	
098-6418-01, 59		105-0541, 11		113-0296-10, 9		134-4381-70, 39	
098-6455, 25		105-0638, 11		113-0296-20, 9		134-4382, 39	
098-6547, 59		110-0068, 7		113-0296-30, 9		134-4384, 39	
098-6552, 59		110-0539, 7		113-0311, 9		134-4386-50, 39	
098-6566, 59		110-0639, 7		113-0311-01, 9		134-4503-01, 39	
098-6587-04, 59		110-0893, 7		113-0311-02, 9		134-4503-02, 39	
098-6618-01, 59		110-0904, 7		113-0311-03, 9		140-1889, 21, 23	
098-6959-01, 59		110-1624-01, 7		113-0311-05, 9		140-1894, 17, 21, 23	
098-7315-09, 25		110-1716, 7		114-0022, 12		140-1919-50, 17	
098-7502-02, 59		110-1716-02, 7		114-0036, 9		140-2021-50, 17	
101-0405, 9		110-1716-05, 7		114-0188, 9		140-2021-70, 17	
101-0432, 9		110-1716-10, 7		114-0188-02, 9		140-2308, 17, 21, 23, 24, 25, 59	
101-0432-02, 9		110-1716-25, 7		114-0188-10, 9		140-2378-50, 17	
101-0432-10, 9		110-1718, 7		114-0188-20, 9		140-2378-70, 17	
101-0432-20, 9		110-1719, 7		114-0188-30, 9		140-2379, 17, 21, 23	
101-0432-30, 9		110-1761, 7		114-0203, 9		140-2725, 59	
101-0439, 7		110-2987, 7		115-0006, 7		140-2782, 17	
101-0450, 7		110-3167, 7		115-0006-02, 7		140-2882, 17	
101-0450-02, 7		110-3168, 7		115-0006-05, 7		140-2883-01, 17, 21, 23	
101-0450-10, 7		110-3461, 7		120-0140, 7, 17			

Numerical Index

<u>Part No.</u>	<u>Page</u>	<u>Part No.</u>	<u>Page</u>	<u>Part No.</u>	<u>Page</u>	<u>Part No.</u>	<u>Page</u>
140-2962,	17, 21, 23	146-0593,	29	150-0078,	11	154-2540,	43
140-3093,	17, 21, 23	146-0617,	17, 26, 59	150-0096,	37	154-2541,	43, 45
141-0077,	30	146-0663,	17, 29	150-0939,	37	154-2542,	43, 45
141-0281,	21, 23	146-0665,	17, 29, 59	150-1187,	12	154-2638,	43, 45
141-0698,	30	146-0725,	30	150-1519,	11	154-2662,	43
141-0700,	30	146-0729,	23, 25, 30	150-1520,	11	154-2663,	43
141-0701,	30	146-0748,	21	150-1612,	37	154-2683,	43
141-0708,	30	148-0311,	23, 24	150-1958-02,	37	154-2747,	43, 45
141-0710,	12	148-0843,	23, 24, 25	150-1998,	12	154-3027,	21
141-0711,	30	148-0890,	21	150-2002-04,	12	155-1015,	43, 45
141-0736,	30	148-0893,	21	150-2079,	37	155-1239,	43
141-0919,	30	148-0897,	21	150-2294,	37	155-1256,	45
141-0924,	30	148-0898,	21	150-2296-01,	37	155-1258,	43
141-0933,	21, 23, 30	148-0899,	21	150-2298-01,	37	155-1485,	43
141-0934,	30	148-0900,	21	150-2421,	37, 59	155-2025-02,	43
141-0935,	30	148-0903,	21	150-2428,	37	155-2049-02,	43, 45
141-0936,	30	148-0912,	24, 41	150-2429,	37	155-2084,	43
141-0937,	30	148-0913,	24	150-2469,	37	155-2084-02,	43
141-0938,	30	148-1020,	23, 25	150-2470,	59	155-2085,	45
141-0939,	30	148-1023,	21	150-2589,	37	155-2086,	45
141-0940,	30	148-1057-02,	25	153-0554,	17	155-2164,	45
141-0950,	17, 59	148-1067,	21	153-0555,	17	155-2174,	43, 45
141-0958,	17, 21, 23, 25	148-1107,	25	153-0556,	17	155-2449,	43
141-0978,	30	148-1108-02,	25	153-0557,	17, 21	155-2492,	43
145-0561,	17	149-1353,	17	153-0558,	17	155-2545-51,	39
145-0667,	17, 59	149-2038-01,	21	153-0561,	17	155-2580,	39
145-0707,	17	149-2097,	17	153-0576,	17	160-1151,	33
146-0451,	26, 29	149-2140,	17	153-0577,	17	160-1183,	33
146-0452,	26, 29	149-2226,	17	153-0578,	17	160-1314,	33
146-0453,	26, 29	149-2269,	17	153-0579,	17	160-1316,	33
146-0454,	29	149-2279,	17	154-1483,	21	160-1317,	33
146-0456,	17, 26	149-2294,	17	154-2219,	19, 23	160-1325,	32, 33
146-0457,	26	149-2320,	17	154-2447,	19	160-1345-01,	31
146-0463,	26	149-2331,	17	154-2495,	19	160-1368,	31, 33
146-0578,	17, 29	149-2331-02,	17	154-2524,	19, 21, 23	160-1376,	32
146-0588,	29	149-2333,	17	154-2537,	43	166-0747,	32
146-0589,	29	149-2335,	17	154-2538,	43	166-0761,	31
146-0590,	29	150-0075,	11	154-2539,	45	166-0770,	31

Numerical Index

<u>Part No.</u>	<u>Page</u>	<u>Part No.</u>	<u>Page</u>	<u>Part No.</u>	<u>Page</u>	<u>Part No.</u>	<u>Page</u>
166-0771, 31, 32		226-3504, 49		319-1238, 49		332-1992, 53, 55	
166-0772, 32		226-3504-01, 49		320-1323, 49		332-1993, 53, 55	
166-0785, 31		226-4599, 59		320-1548-03, 49		332-2112, 49	
166-0789-01, 31		231-0359, 47		320-1683, 49		332-2301, 55	
166-0794, 31		232-2955-02, 47		321-0287, 49		332-2431, 55	
166-0802, 31		232-3265-02, 17, 49		321-0295, 49		332-2571, 55	
166-0820, 31		300-2313, 50		321-0298, 49		332-2572, 55	
166-0821, 31		300-2314, 50		321-0321-06, 57		332-2859-01, 49	
166-0821-01, 31		300-3763-03, 49		321-0322-01, 57		332-2859-02, 49	
166-0842, 31		300-3950, 49		321-0323-02, 49, 59		332-2868, 49	
167-0272, 59		300-4901-03, 49		323-0400, 51		332-2938, 55	
167-0772, 31, 32		301-3566, 50		323-0440, 51		332-3075, 49	
167-1602, 31, 32		301-3606, 50		323-0488, 51		332-3198, 31	
167-1615-01, 31, 32		301-9730, 49		323-0500, 51		332-3359, 34	
168-0190, 9		301-9875, 49		323-1199, 49, 51		336-2378, 33	
168-0193, 9		302-0885, 50		323-1200, 49, 51, 55		336-9679, 21	
191-1630, 35		302-0888, 50		323-1298, 47, 55		337-2311, 15, 39	
191-1776, 35		303-0276, 49		323-1302, 49, 57		338-1080, 51	
191-1781, 35		304-0794, 47		323-1303, 51		338-1081, 51	
191-2129, 35		304-0796, 47		323-1304, 51		338-1082, 51	
191-2132, 36		304-0797, 47, 59		323-1312, 49, 55, 57		338-2040, 49, 55	
191-2158, 34, 36		304-0798, 47		323-1314, 49		338-2041, 49, 57	
191-2186, 36		305-0718, 47, 59		323-1329, 57		338-2046, 51	
191-2187, 36		305-0809-01, 49		323-1342, 51		338-2058, 49	
201-3388-03, 47		305-0809-03, 49		323-1371, 49		338-2058-01, 49	
204-0134, 47		307-1881, 23, 24		323-1440, 53, 55, 57		338-2076, 49	
205-0165, 47		307-1886, 21, 57		323-1486, 53, 55, 57		338-2083, 49	
212-1276-03, 47		307-2501, 21		323-1487-03, 55, 57		338-2083-01, 49	
212-1284, 47		307-2559-01, 21, 23		331-0536, 47		338-2086, 57	
212-1285, 47		307-2570, 49		332-0147, 53		338-2137, 51	
212-1286, 47		307-2880, 25		332-0529, 55		338-2285, 17	
214-0103, 47		308-0341, 50		332-0806, 53		338-2317, 21, 53	
220-4133, 47		308-0844, 49		332-0819, 47		338-2634, 57	
220-4135-03, 47		308-0949, 49		332-0941, 47, 49		338-2635, 57	
220-4135-04, 47		309-0322, 13		332-0942, 34, 51, 53		338-2636, 49, 55	
220-4532-01, 47		312-0246, 33		332-1445, 57, 59		338-2636-01, 49, 55	
226-3457, 34		312-0256, 32, 33, 47		332-1477, 55		338-2636-02, 49, 55	
226-3492-01, 47		319-1237, 49		332-1815, 49		338-2644, 21, 53	

Numerical Index

<u>Part No.</u>	<u>Page</u>	<u>Part No.</u>	<u>Page</u>	<u>Part No.</u>	<u>Page</u>	<u>Part No.</u>	<u>Page</u>
338-2766,	57	502-0028,	17, 59	505-0131,	25	518-0460,	47
338-2767,	57	502-0054,	21	505-0266,	15	518-0466,	17
338-2768-01,	55	502-0065,	17	505-0332,	23, 24	518-0515,	17
338-2768-02,	55	502-0238,	23, 24, 25	505-1426,	21, 23	518-0533,	47
338-2895,	55, 59	502-0313,	17	508-0008,	41	518-0582,	37
338-3010,	47, 59	502-0395,	23, 24, 25	508-0071,	41	518-0602,	59
338-3054,	57, 59	502-0838,	21	508-0272,	47	518-0606,	37, 59
338-3479,	49	502-0871,	17	509-0008,	12	520-0876,	7
338-3572,	51	502-0923-02,	21	509-0040,	12	520-0918,	7
357-0067,	53, 57	502-0927-01,	21	509-0041,	7	520-0919,	7
359-0034,	50	502-0929-01,	21	509-0096,	15, 59	520-0961-02,	47
370-4027,	43	502-0931-02,	21	509-0196,	47	525-0305,	59
370-4052,	19	502-0935,	21	509-0313,	59	525-0394,	59
402-0547,	15	502-0949-01,	21	510-0013,	12	526-0002,	17
402-0549,	15	502-0965-01,	21	510-0014,	12	526-0003,	21
402-0597,	15	502-1026,	58	510-0015,	11	526-0008,	21
403-1523,	39	502-1108,	17	510-0099,	47	526-0014,	15
403-2218-01,	15	502-1164,	19	515-0001,	10, 11	526-0017,	10
403-2557-02,	15	503-0032,	23	515-0263,	10	526-0018,	7, 24, 25, 43
403-2557-03,	41	503-0170,	19	516-0072,	7	526-0021,	17, 21, 23
405-3394,	41	503-0183,	17, 21, 23, 24,	516-0130,	12	526-0032,	47
405-3397,	41	25		516-0141,	9	526-0065,	12, 13
405-3400,	41	503-1016,	25	517-0048-01,	7	526-0066,	7
405-3401,	41	503-1016,	23, 24	517-0067,	9	526-0122,	41
405-3406,	41	503-1048,	23, 24, 25	517-0103,	7	526-0130,	41, 45
405-3597,	41	503-1133,	17, 21, 23	517-0133,	49	526-0174,	41
405-3604,	41	503-1190,	21	517-0223,	17	526-0250,	7
405-3607,	41	503-1252,	17	517-0260,	58	526-0251,	15, 19, 21, 23,
405-3608,	41	503-1313,	19	517-0283,	39	47	
405-3781,	41	503-1345,	17	517-0320,	17	526-0324,	15
406-0566,	41	503-1351,	17	518-0006,	37	526-0325,	15
406-0567,	41	503-1483,	21	518-0014,	10	526-0356,	10
406-0568,	41	503-1551,	58	518-0294,	7	526-0382,	41
501-0497,	21	504-0150,	15	518-0350,	23, 24, 25	526-0402,	7
501-0512,	21	505-0051,	23, 24	518-0450,	17	526-1518,	41
501-0525,	21	505-0057,	23, 24, 25	518-0452,	59	740-1004,	9, 31, 43
502-0002,	17	505-0101,	25	518-0459,	17	740-1006,	43
502-0003,	17	505-0120,	25				

Numerical Index

<u>Part No.</u>	<u>Page</u>	<u>Part No.</u>	<u>Page</u>	<u>Part No.</u>	<u>Page</u>	<u>Part No.</u>	<u>Page</u>
800-0002,	41	803-0071,	7	815-0664,	17, 19, 21	850-0050,	7, 34, 47
800-0004,	31, 45	805-0010,	9	815-0691-01,	47, 49	850-0055,	47
800-0005,	41, 43	812-0061,	49	815-0692-01,	17, 21	850-2005,	32
800-0007,	9, 43	813-0117,	24	815-0692-02,	17, 49	851-0031,	12
800-0008,	23, 24, 25	815-0046,	12	815-0712,	47	853-0013,	17, 24, 25, 47
800-0011,	7	815-0176,	21	815-0759,	39	854-0010,	24
800-0013,	7	815-0181,	59	815-0770,	31, 47	856-0008,	15
800-0017,	17, 21, 23	815-0194,	13	815-0772,	19	856-0010,	39
800-0026,	41, 43	815-0261,	21, 32, 39, 43	815-0782,	17	860-0006,	50
800-0028,	13, 23, 24, 25	815-0290,	17, 31, 43	815-0788,	47, 59	862-0001,	23, 24, 25, 34, 43
800-0036,	43	815-0340,	47	815-0908,	47	862-0003,	34, 47
800-0048,	39, 41	815-0358,	33	820-1077,	12	862-0015,	17, 21, 23, 59
800-0051,	7	815-0385,	49, 50	821-0003,	49	870-0131,	37, 49
800-0052,	34, 47	815-0550,	49	821-0005,	21	870-0183,	49
800-0055,	19, 21, 23	815-0587,	19, 21, 23	821-0009,	24, 25	870-0203,	47
800-0058,	15	815-0590,	17, 21, 23, 59	821-0010,	15, 39	870-0221,	21
800-0512,	43, 45	815-0591,	17, 21, 23	821-0014,	15, 41	870-0257,	7, 23, 24, 25, 41
800-0545,	12	815-0592,	17	821-0016,	15	870-0328,	12, 31
800-0575,	7, 47	815-0646,	47	821-0029,	43, 45	870-0415,	39
800-0590,	7	815-0647,	21	821-0031,	15	870-0421,	17
800-0730,	43, 45	815-0650,	31	821-0033,	41	870-0437,	41
801-0050,	7	815-0657,	15	850-0038,	33	98-5958,	24
802-0034,	33	815-0660,	47	850-0040,	21, 23, 24, 25, 34, 41, 45	98-6455,	24
802-0055,	43, 45	815-0661,	17, 47, 49	850-0045,	45		
802-1038,	47	815-0662,	49				