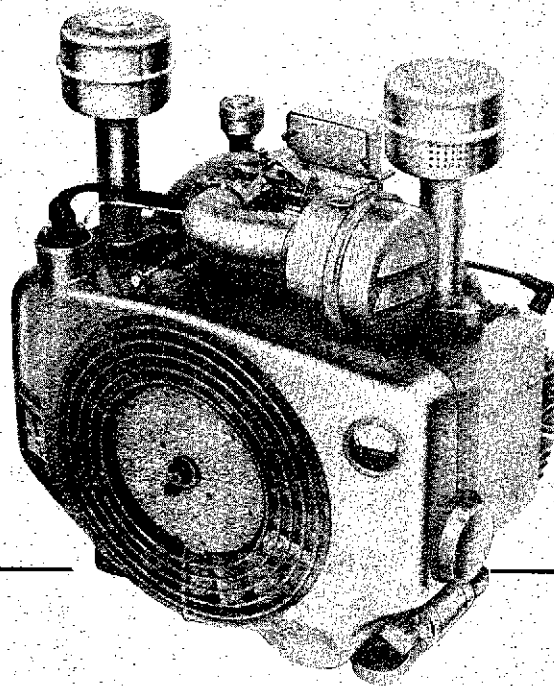


# Onan

## Parts Manual

### NH Engine



940-0253  
8-85 (SPEC A-D)  
Replaces  
1-73 (Spec A-D)  
Printed in U.S.A.

 **Power  
Generation**

Redistribution or publication of this document  
by any means, is strictly prohibited.

## General Information

For parts or service, contact the dealer from whom you purchased this equipment or refer to your Nearest Authorized Onan Parts and Service Center.

To avoid errors or delay in filling your parts order, always give the MODEL, SPEC NO. and SERIAL NO. from the Onan nameplate.

The diagram shows a rectangular nameplate with rounded corners and two circular mounting holes at the top. The word "Onan" is printed in a large, bold, stylized font at the top. Below it is a wide rectangular box labeled "MODEL AND SPEC NO.". Underneath that is a narrower rectangular box labeled "SERIAL NO.". The bottom right corner of the nameplate is cut off at an angle. The reference code "M-1149" is printed at the bottom right of the diagram.

For handy reference, insert "YOUR" nameplate information in the spaces above.

# INDEX

	<b>PAGE</b>
<b>INTRODUCTION</b> .....	<b>2</b>
<b>DATA TABLE</b> .....	<b>2</b>
<b>STANDARD ENGINE PARTS SECTION</b> .....	<b>4-17</b>
Base, Oil .....	8,9
Block, Cylinder .....	4,5
Box, Breaker Ignition .....	14
Camshaft .....	6,7
Carburetor Parts .....	13
Crankshaft .....	6,7
Exhaust System .....	10,11
Flywheel .....	6,7
Fuel System .....	10,11
Gearcase .....	8,9
Governor .....	8,9
Housing, Air .....	16,17
Housing, Air (Vacu-Flo Cooling) .....	16,17
Ignition System .....	14
Oil System .....	12
Piston and Rod .....	6,7
Pump Parts, Fuel .....	13
Service Kits and Miscellaneous .....	18
Starter Parts .....	15
<b>OPTIONAL EQUIPMENT PARTS SECTION</b> .....	<b>19-24</b>
Alternator - 35 Ampere .....	20
Alternator - 20 Ampere (Wico) .....	21
Choke (Thermo-Magnetic) .....	22
Clutch .....	23
Gearbox, Reduction .....	23
Starter, Recoil .....	24

# Introduction

This catalog applies to the standard NH Engines as listed below. Parts are arranged in groups of related items. Each illustrated part is identified by a reference number corresponding to the same reference number below the illustration. Parts illustrations are typical. Using the *Model and Spec No.* from the plant nameplate, select the *Parts Key No.* (1, 2, etc., in the last column) that applies to your *Engine Model and Spec No.* This *Parts Key No.* represents parts that differ between models. Unless otherwise mentioned in the description, parts are interchangeable between models. Right and left plant sides are determined by facing the blower end (front) of the engine.

ENGINE DATA TABLE

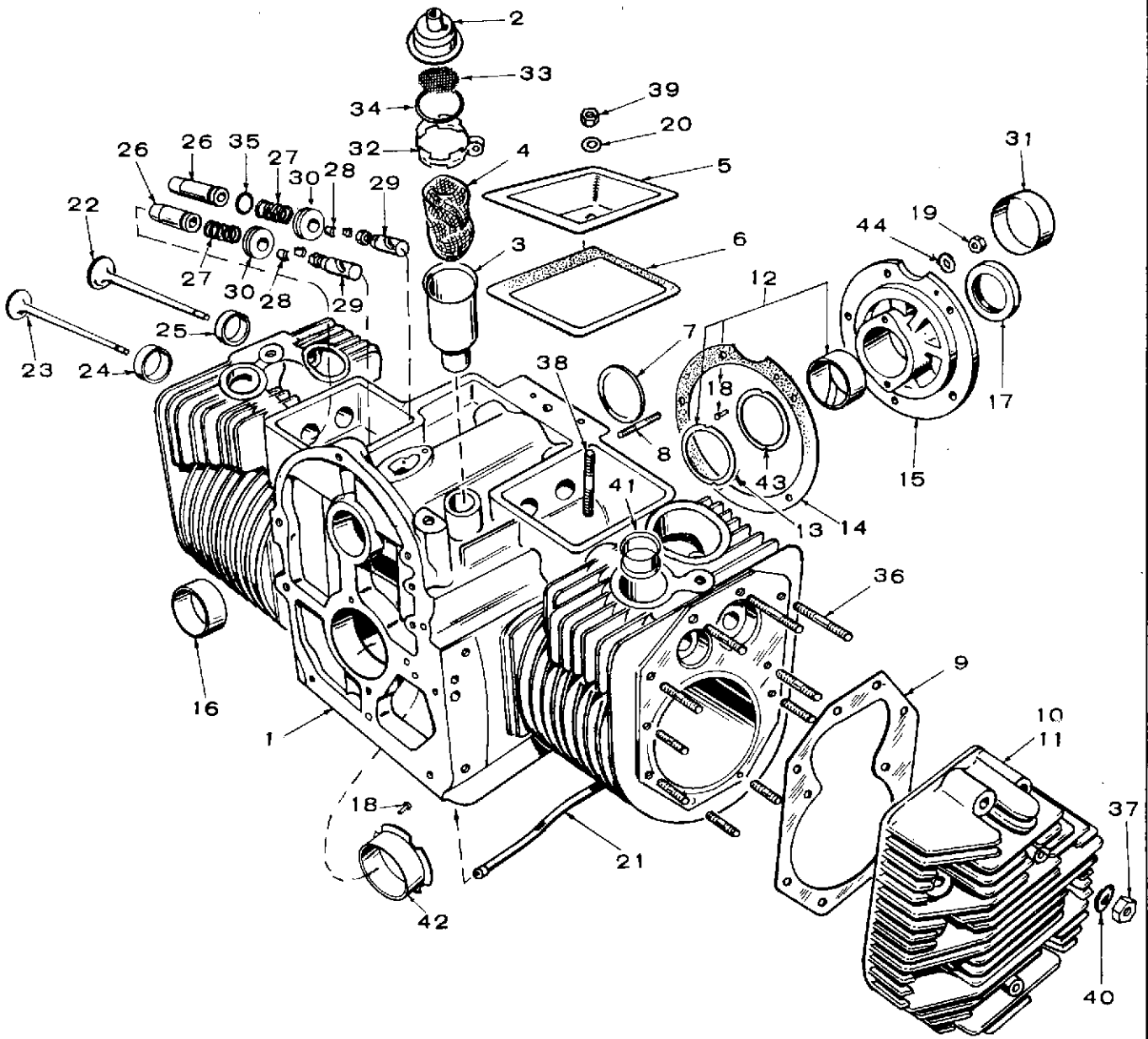
MODEL AND SPEC NO.	PARTS KEY NO.	MODEL AND SPEC NO.	PARTS KEY NO.
NH-S/*	1	NH-MS/*	2

\* The Specification Letter Advances (A to B, B to C, etc.) with manufacturing changes.

## NOTICE!

ITEMS REFERENCED AS **OPTIONAL** INDICATE PART IS FACTORY INSTALLED AND MAY NOT BE APPLICABLE TO ALL MODELS. FOR FIELD CONVERSIONS ADDITIONAL PARTS ARE USUALLY REQUIRED.





CYLINDER BLOCK GROUP

REF. NO.	PART NO.	QTY. USED	PART DESCRIPTION
1	★	1	Block Assembly, Cylinder (Includes Parts Marked *)
2	123A954	1	Cap & Valve, Breather
3	123A952	1	Tube, Breather
4	123P865	1	Baffle, Breather Tube
5	110A1624	2	Cover, Valve Compartment
6	110B1720	2	Gasket, Valve Cover
7	517-48	1	Plug, Camshaft Expansion
8	520A736	5	Stud, Rear Bearing Plate Mtg.
9	110C1731	2	Gasket, Cylinder Head
10	HEAD, CYLINDER (#2) - RH		
	110D1732	1	Spec A and B
	110B1905	1	Begin Spec C
11	HEAD, CYLINDER (#1) - LH		
	110D1733	1	Spec A and B
	110B1906	1	Begin Spec C
12	*BEARING, CRANKSHAFT - REAR		
	101K420	1	Standard
	101K420-02	1	.002" Undersize
	101K420-10	1	.010" Undersize
	101K420-20	1	.020" Undersize
	101K420-30	1	.030" Undersize
13	104A575	2	*▲Washer, Thrust - Crankshaft Bearing
14	101B415	1	Gasket, Bearing Plate
15	*PLATE, REAR BEARING (Excludes Bearing - Includes Pins)		
	101-0439	1	Engines Without Reduction Gear Assembly
	101B417	1	Engine With Reduction Gear Assembly
16	101B405	2	*Bearing, Camshaft Front & Rear (Precision)
17	509A41	1	Seal, Bearing Plate
18	516A72	4	*Pin, Main Bearing Stop
19	104-91	5	Nut, Bearing Plate Stud
20	526-63	2	Washer (Copper), Valve Compartment Cover
21	120B680	1	*Tube, Crankcase Oil
22	110B1756	2	Valve, Intake (Stellite)
23	110B1719	2	Valve, Exhaust (Stellite)
24	*INSERT, EXHAUST VALVE SEAT (STELLITE)		
	110A1716	2	Standard
	110A1716-02	2	.002" Oversize
	110A1716-05	2	.005" Oversize
	110A1716-10	2	.010" Oversize
	110A1716-25	2	.025" Oversize

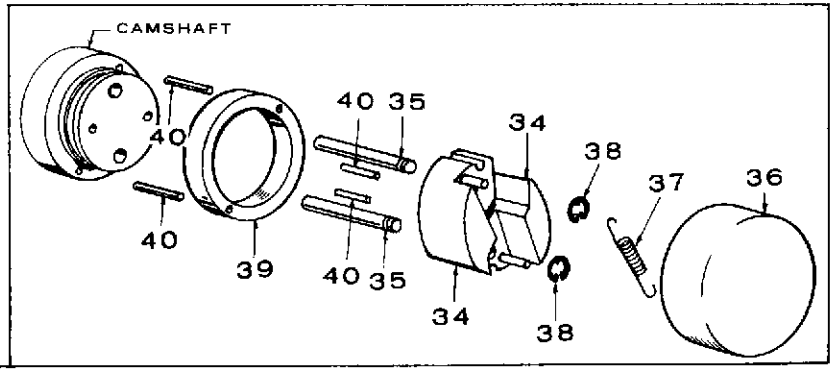
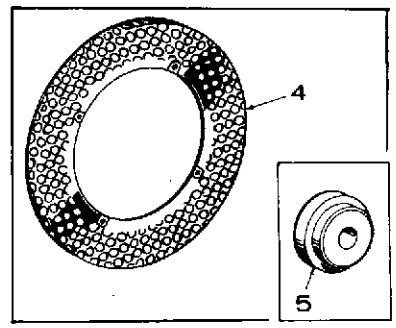
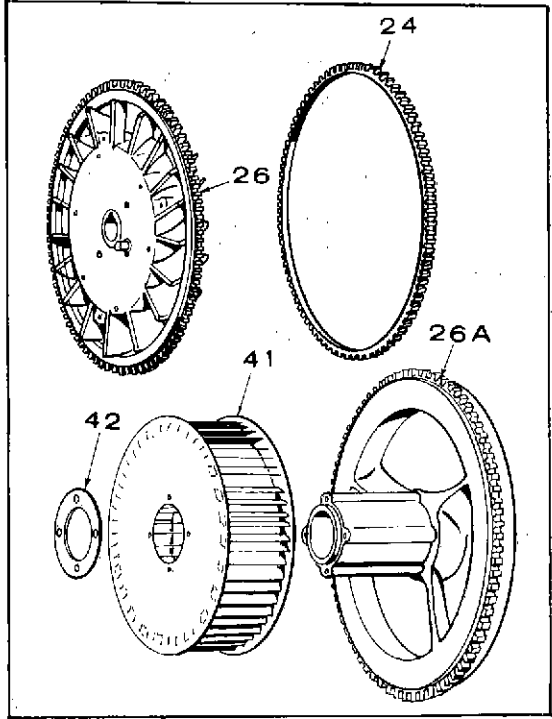
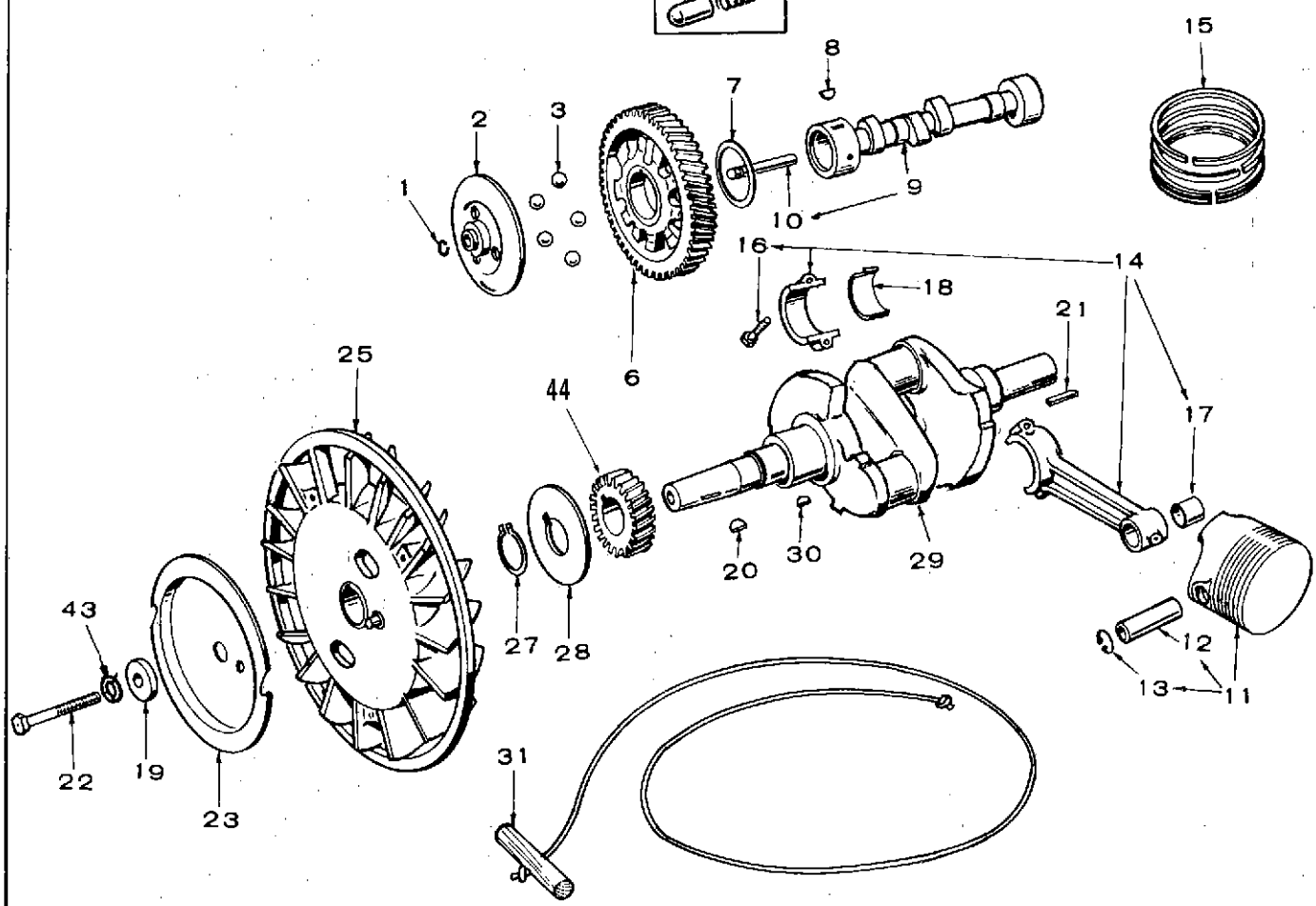
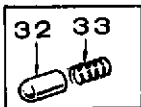
REF. NO.	PART NO.	QTY. USED	PART DESCRIPTION
25	*INSERT, INTAKE VALVE SEAT (STELLITE)		
	110B1933	2	Standard
	110B1933-02	2	.002" Oversize
	110B1933-05	2	.005" Oversize
	110B1933-10	2	.010" Oversize
	110B1933-25	2	.025" Oversize
26	110A3167	4	*Guide, Valve
27	110A539	4	Spring, Valve
28	110A639	8	Lock, Valve & Spring, Retaining
29	TAPPET, VALVE		
	115A6	4	Standard
	115A6-05	4	.005" Oversize
30	110A904	4	Rotocap
31	110A1283	1	Cover, Timing Control (Also in Camshaft Group)
32	123A951	1	Clamp, Breather Tube Cap
33	123A958	1	Screen, Breather Tube
34	509-117	1	Seal, "O" Ring, Breather Tube
35	110A68	2	*Gasket, Valve Guide (Intake)
36	STUD, CYLINDER HEAD MOUNTING		
	520A717	8	3/8" x 2"
	520A715	8	3/8" x 2-1/4"
	520A716	4	3/8" x 2-5/8"
37	NUT, FLANGE - CYLINDER HEAD STUD		
	870-248	20	Spec A and B
	104A91	20	Begin Spec C
38	520A714	2	Stud, Valve Box Cover
39	115A25	2	Nut, Hex - Valve Box Cover Stud
40	526A250	20	Washer, Flat - Cylinder Head Stud - Begin Spec C
41	154A1424	2	Insert, Exhaust Port - Begin Spec C
42	*BEARING, CRANKSHAFT - FRONT		
	101K432	1	Standard
	101K432-02	1	.002" Undersize
	101K432-10	1	.010" Undersize
	101K432-20	1	.020" Undersize
	101K432-30	1	.030" Undersize
43	104A776	As Req.	Shim (.005") - Crankshaft Thrust
44	526-251	5	Washer, Flat - Bearing Plate Stud
	800-46	2	Screw, Hex Head Cap (3/8-16 x 1/2) - Cylinder Block
	526-66	2	Washer (3/8 Copper) - Cylinder Block

★ - Order by description, giving complete Model, Spec and Serial Number.

\* - Included in Cylinder Block Assembly.

▲ - Use one only with rear bearing on units with flange type front bearing.

CRANKSHAFT, FLYWHEEL, CAMSHAFT  
AND PISTON GROUP





REF. NO.	PART NO.	QTY. USED	PART DESCRIPTION
1	150A78	1	*Ring, Snap - Camshaft Center Pin
2	150B612	1	*Cup, Governor
3	510-15	5	*Ball, Fly - Governor
4	134B1889	1	Guard, Blower Wheel - Optional
5	ADAPTER, FRONT POWER TAKE OFF - KEY 2 - OPT.		
	104A700	1	Spec A Only
	104A732	1	Begin Spec B
6	105-0332	1	Gear, Assembly, Camshaft (Incl. Flyball Spacer & Plate)
7	105-0541	1	Washer, Camshaft Gear Thrust
8	515-1	1	Key, Camshaft Gear Mounting
9	CAMSHAFT		
	105B309	1	*Governor Controlled Engine (Includes Center Pin)
	105B317	1	*Governor Controlled Engine (Includes Center Pin & Spark Advance Mechanism Pins)
	105C310	1	Manually Controlled Engine
	105B321	1	*Manually Controlled Engine (Includes Spark Advance Mechanism Pins)
10	150A75	1	*Pin, Center - Camshaft
11	PISTON AND PIN (INCLUDES RETAINING RINGS)		
	112-111	2	Standard
	112-111-05	2	.005" Oversize
	112-111-10	2	.010" Oversize
	112-111-20	2	.020" Oversize
	112-111-30	2	.030" Oversize
	112-111-40	2	.040" Oversize
12	PIN, PISTON		
	112A112	2	Standard
	112A112-02	2	.002" Oversize
13	518P294	4	Ring, Piston Pin Retaining
14	114C203	2	Rod, Connecting (Includes Bushing & Bolts)
15	RING SET, PISTON		
	113A165	2	Standard
	113A165-05	2	.005" Oversize
	113A165-10	2	.010" Oversize
	113A165-20	2	.020" Oversize
	113A165-30	2	.030" Oversize
	113A165-40	2	.040" Oversize
16	805A10	4	Bolt, Place - Connecting Rod Cap
17	114A36	2	Bushing, Piston Pin - Connect- ing Rod
18	BEARING HALF, CONNECTING ROD		
	114B188	4	Standard
	114B188-02	4	.002" Undersize
	114B188-10	4	.010" Undersize
	114B188-20	4	.020" Undersize
	114B188-30	4	.030" Undersize

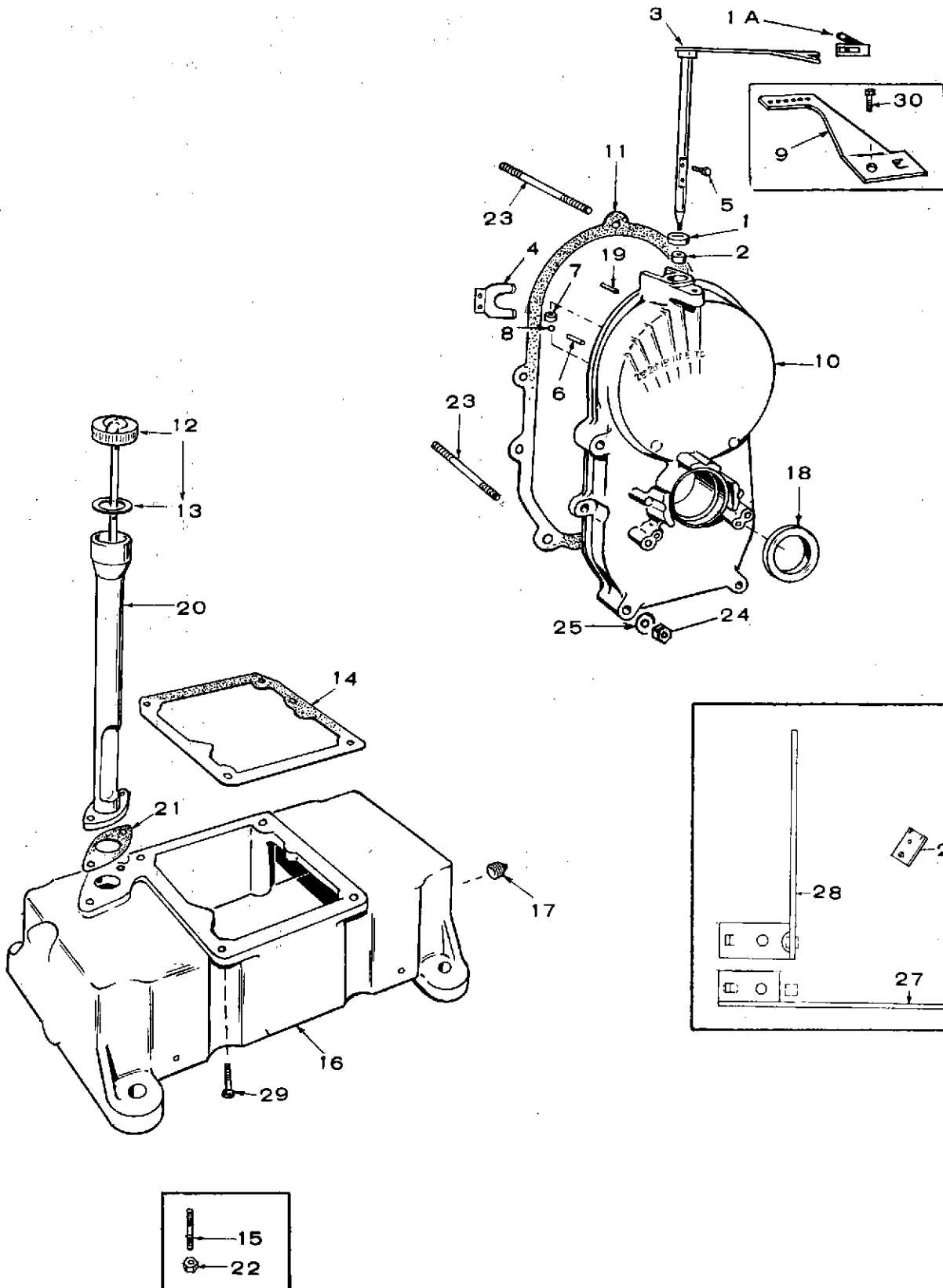
REF. NO.	PART NO.	QTY. USED	PART DESCRIPTION
19	WASHER, WHEEL MOUNTING		
	526A17	1	Key 1 and Vacu-Flo Cooled Engines
	526A128	1	Key 2
20	515-2	1	Key, Wheel Mounting
21	515A198	1	Key, Crankshaft Stub
22	104A170	1	Screw, Wheel Mounting
23	192B308	1	Sheave, Starter Rope - Key 1
24	134C673	1	Gear, Ring - Flywheel, Key 2 & Vacu-Flo Cooled Engines
	FLYWHEEL		
25	160E1080	1	Key 1
26	134B2071	1	Key 2 (Includes Ring Gear) - Spec A Only
26	134B1895	1	Key 2 (Includes Ring Gear) - Begin Spec B
26A	104B740	1	Vacu-Flo Cooled Engines (Includes Ring Gear)
27	518-14	1	Lock, Crankshaft Gear Washer
28	104A43	1	Washer, Crankshaft Gear Ret.
29	**	1	Crankshaft
30	515-1	1	Key, Crankshaft Gear Mtg.
31	192A83	1	Rope, Manual Starting - Key 1
32	105A58	1	Plunger, Camshaft, Thrust (Manually Controlled Engine)
33	105A59	1	Spring, Camshaft Plunger (Manually Controlled Engine)
34	★WEIGHT ASSEMBLY, TIMING CONTROL - INCLUDES PINS		
	160A1049	2	Magneto Ignition
	**	2	Battery Ignition
35	516P172	2	★Pin, Groove (1-1/16") Timing Control
36	110A1283	1	★Cover, Timing Control (Also in Cylinder Block Group)
37	160A1051	1	★Spring, Timing Control
38	518P129	2	★Ring, Timing Control Retainer
39	160A791	1	★Cam, Timing Control
40	516-144	5	★Pin, Roll (7/16") Camshaft & Timing Control Cam
41	134C2130	1	Wheel, Blower - Vacu-Flo Cooled Engines
42	134A911	1	Plate, Blower Wheel - Vacu-Flo Cooled Engines
43	850-55	1	Washer, Lock (7/16")
44	104-0032	1	Gear, Crankshaft

★ Standard for Key 1, Optional for Key 2.

\* For governor controlled engine only.

\*\* Give Engine Model, Spec and Serial Number.

# GEAR COVER AND OIL BASE GROUP



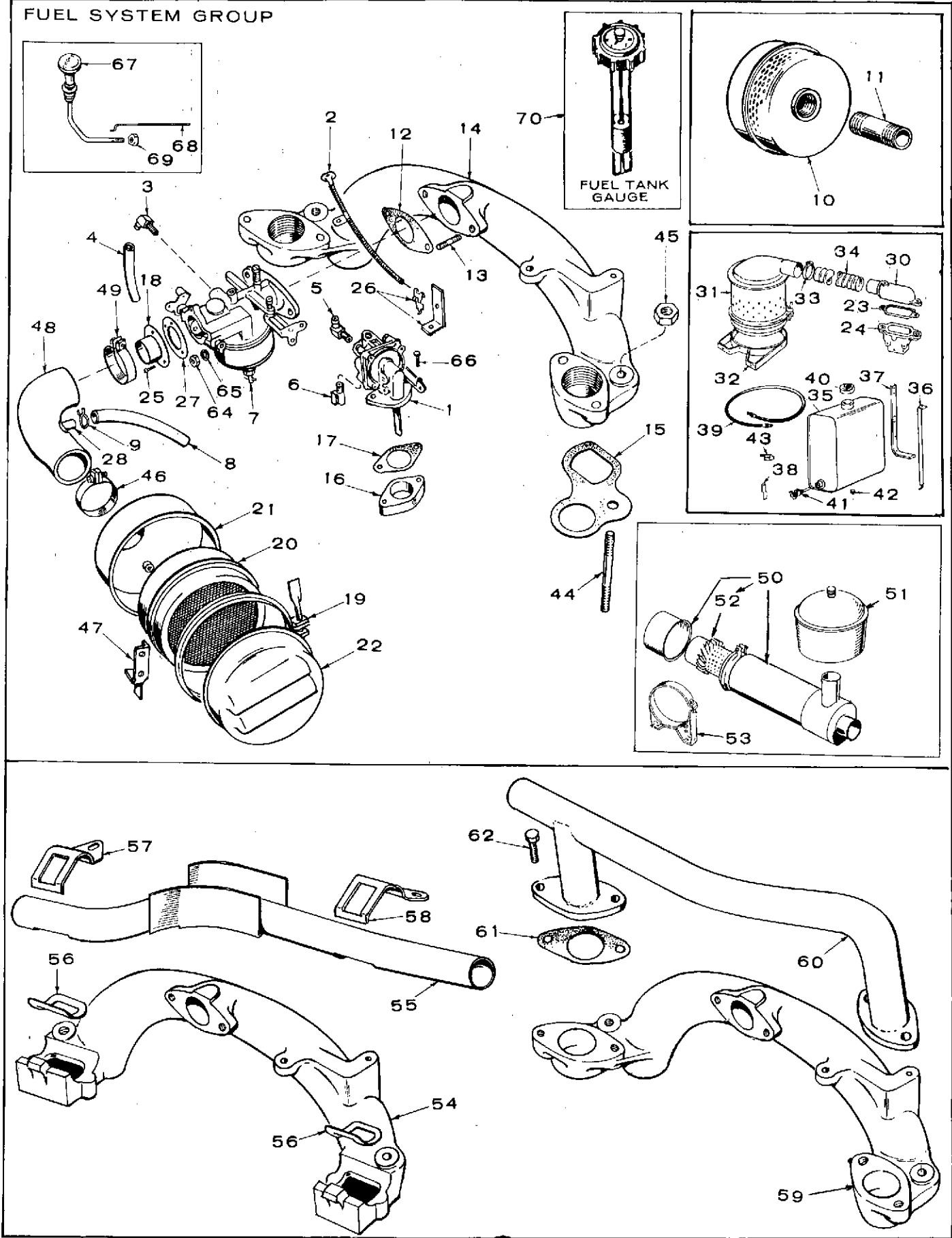
REF. NO.	PART NO.	QTY. USED	PART DESCRIPTION
1	509P8	1	*Seal, Oil - Governor Shaft
1A	150A678	1	Clip, Governor Sensitivity Adjustment (Standard Speed Governor) Key 2
2	510P13	1	*Bearing, Governor Shaft (Upper)
3	150B1260	1	*Shaft & Arm, Governor
4	150B1187	1	*Yoke, Governor Shaft
5	819-46	2	*Screw, Yoke Mounting (8-32 x 3/8 ")
6	516-130	1	*Pin, Governor Cup Stop (In Gear Cover)
7	510A8	1	*Bearing, Governor Shaft (Lower)
8	510P14	1	*Ball, Bearing, Governor Shaft
9	150B1073	1	Extension, Governor Arm
10	COVER ASSEMBLY, GEAR		
	103-0655	1	Standard Governor (Also for Flywheel Alternator Models) - Includes Parts Marked * - Key 1 (and Key 2 Begin Spec B)
	103-0649	1	Standard Governor (Also for Flywheel Alternator Models) - Includes Parts Marked * - Key 2 - Spec A Only
	103-0653	1	Manual Throttle - Includes Oil Seal (Also for Flywheel Alternator Models) - Key 1 (and Key 2 Begin Spec B)
	103-0650	1	Manual Throttle - Includes Oil Seal (Also for Flywheel Alternator Models) - Key 2 - Spec A Only
11	103B11	1	Gasket, Gear Cover
12	†	1	Cap & Indicator, Oil Fill
13	123A191	1	Gasket, Oil Fill Cap

REF. NO.	PART NO.	QTY. USED	PART DESCRIPTION
14	102B646	1	Gasket, Oil Base Mounting
15		4	Stud, Oil Base to Block - Early Models (Order #800-51 Cap Screw)
16	†	1	Base, Oil
17	505-56	1	Plug, Oil Drain
18	*SEAL, GEAR COVER		
	509A40	1	Key 1 (and Key 2 Begin Spec B)
	509A97	1	Key 2 - Spec A Only
19	516A11	2	Pin, Gear Cover (5/16 x 1-1/8 ")
20	123B1117	1	Tube, Oil Fill
21	141A78	1	Gasket, Oil Fill Tube Mounting
22	104A91	4	Nut, Hex - Oil Base Stud - Early Models
23	STUD, GEAR COVER TO BLOCK		
	520A710	4	5/16 x 2-1/8 "
	520A711	1	5/16 x 3-11/16 "
24	110A445	5	Nut, Gear Cover Mounting Stud
25	526-65	5	Washer (Copper), Gear Cover Mounting
	ARM, GOVERNOR PULL - CONSTANT SPEED GOVERNOR - OPTIONAL		
26	150A1268	1	Rear Pull
27	150A755	1	Front Pull
28	150A752	1	Right Pull
29	800-51	4	Screw (3/8-16 x 1-1/4 ") - Oil Base to Block
30	815-181	1	Screw, Governor Arm Extension Mounting

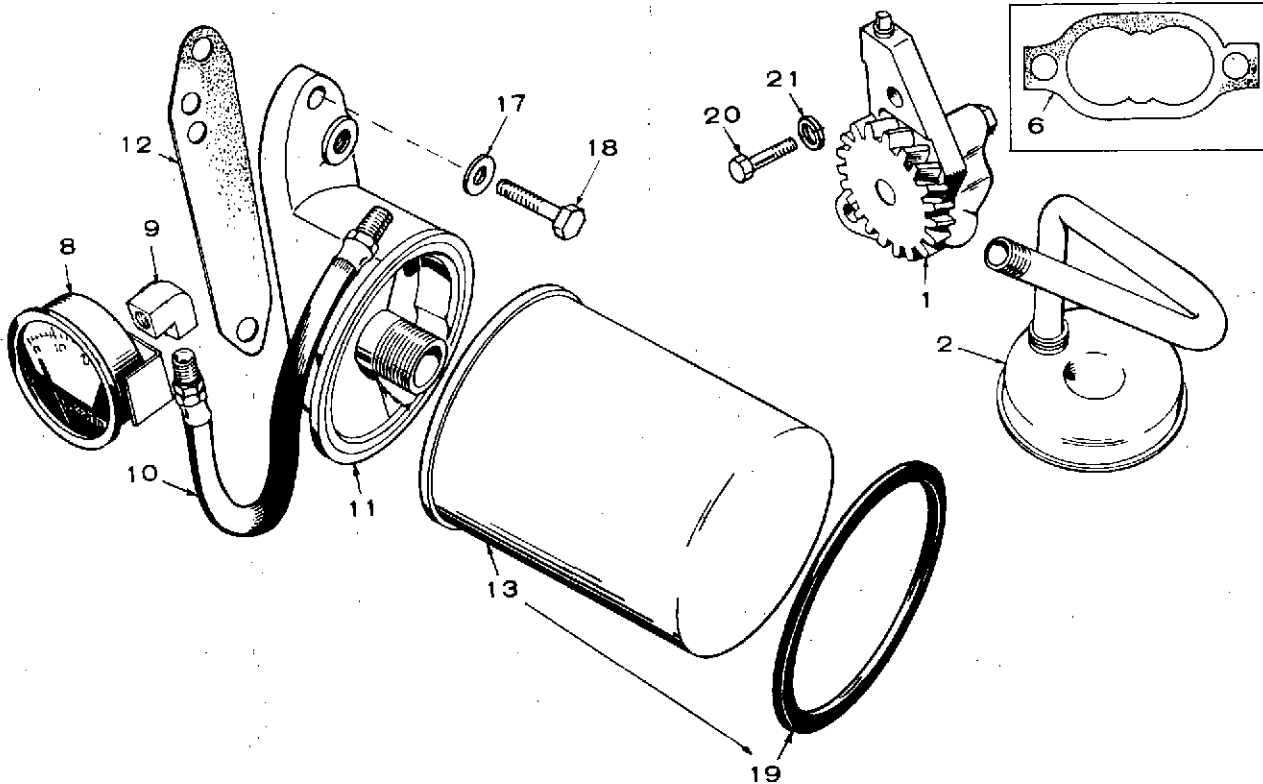
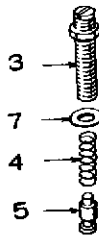
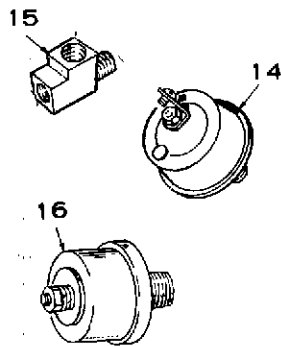
\* Included in Gear Cover Assembly.

† Order by description, giving complete Model, Spec and Serial Number.

FUEL SYSTEM GROUP



REF. NO.	PART NO.	QTY. USED	PART DESCRIPTION	REF. NO.	PART NO.	QTY. USED	PART DESCRIPTION
1	149K526	1	Repair Kit, Fuel Pump	40	159A7	1	Cap, Fuel Tank - Optional
2	149D1223	1	Pump, Fuel	41	504A13	1	Valve, Shut-off - Optional
3	149A1024	1	Rod, Fuel Pump Primer, Key 1	42	505-57	1	Plug, Fuel Tank Drain - Optional
4	502-313	1	Elbow, Carburetor Inlet	43	502-20	1	Elbow, Fuel Pump to Fuel Line (Use with Optional Side Mounted Fuel Tank)
5	149A1228	1	Line, Fuel Pump to Carburetor	44	520A713	2	Stud, Intake Manifold Mounting
6	502-313	1	Elbow, Fuel Pump Outlet	45	104A91	2	Nut, Intake Manifold Stud
7	502-2	1	Elbow, Fuel Pump Inlet	46	503-311	1	Clamp, Hose - Air Cleaner
	CARBURETOR, GASOLINE ( Separate Group for Components )			47	140B1067	1	Bracket, Air Cleaner Mounting
	141D689	1	Manual Choke	48	140A1075	1	Elbow, Carburetor Air Inlet
	141D690	1	Electric Choke	49	503-4	1	Clamp, Hose - Air Inlet Elbow to Adapter
8	503A582	1	Hose, Breather	50	140P721	1	Cleaner, Air - Optional
9	503-170	2	Clamp, Breather Hose	51	140P723	1	Pre-Cleaner (Plastic) - Air Cleaner - Optional
10	155B1092	2	Muffler, Exhaust	52	140P765	1	Element Only, Air Cleaner - Optional
11	505-263	2	Nipple, Exhaust (1-1/4 x 6")	53	140P722	1	Band, Air Cleaner Mounting - Optional
12	141A281	1	Gasket, Carburetor Mounting	54	154C1238	1	Manifold, Intake - Crossover Exhaust (Low Profile) - Opt.
13	520A526	2	Stud, Carburetor Mounting	55	155B1069	1	Tube, Exhaust - Crossover Exhaust - Optional
14	154C1286	1	Manifold, Intake	56	155A1070	2	Gasket, Exhaust Tube - Opt.
15	154A1250	2	Gasket, Intake Manifold to Cylinder Block	57	155B1052	1	Clamp, Exhaust Tube, L.H. - Optional
16	149A45	1	Spacer, Fuel Pump Mounting	58	155B1053	1	Clamp, Exhaust Tube, R.H. - Optional
17	149A3	2	Gasket, Fuel Pump Mounting	59	154C1384	1	Manifold, Intake - Crossover Exhaust (High Profile) - Opt.
18	145A398	1	Adapter, Carburetor Air Inlet	60	MANIFOLD, EXHAUST (HIGH PROFILE) - OPTIONAL		
19	140B1073	1	Clamp, Air Cleaner		154C1386	1	L.H. Outlet
20	140B1071	1	Element, Air Cleaner		154C1382	1	R.H. Outlet
21	140C1066	1	Cleaner, Air	61	154A1383	2	Gasket, Exhaust Manifold - Opt.
22	140C1061	1	Cover, Air Cleaner	62	821-16	4	Screw, Locking (5/16-18 x 3/4") - Exhaust Manifold Mounting
23	140A584	1	Gasket, Air Cleaner - Optional	64	868-2	2	Nut, Hex (Jam) - Carburetor Mtg.
24	140A936	1	Adapter, Air Cleaner - Optional	65	854-17	2	Washer, Lock - Carburetor Mtg.
25	815-199	3	Screw (10-32 x 5/16") - Adapter Mounting	66	806-9	2	Screw (1/4-20 x 1-1/4") - Fuel Pump Mounting
26	153-263	1	Bracket & Clamp, Manual Choke - Optional	67	153C439	1	Lever, Choke - Engines With Top Mounted Control - Optional
27	140A921	1	Gasket, Adapter to Carburetor	68	153A442	1	Linkage, Choke - Engines With Top Mounted Control - Optional
28	123A733	1	Tube, Elbow to Breather Hose	69	870-53	1	Nut (10-32) - Choke Lever
30	140C645	1	Adapter, Air Cleaner - Optional	70	193P207	1	Cap and Gauge Assembly - Optional
31	140B500	1	Cleaner, Air (Oil Bath) - Optional				
32	140B519	1	Band, Air Cleaner - Optional				
33	503P365	2	Clamp, Air Cleaner Hose - Opt.				
34	503A444	1	Hose, Air Cleaner - Optional				
35	159B575	1	Tank, Fuel - Optional				
36	159A596	2	Strap, Fuel Tank - Optional				
37	159B595	2	Bracket, Fuel Tank - Optional				
38	134A599	1	Clip, Fuel Line - Optional				
39	501A8	1	Line, Fuel - Optional (Use With Opt. Side Mounted Fuel Tank)				



**OIL SYSTEM GROUP**

REF. NO.	PART NO.	QTY. USED	PART DESCRIPTION
1	120A491	1	Pump, Oil (Components Not Sold Separately)
2	*	1	Intake, Oil Pump - Includes Cup, Screen & Pipe
3	120A187	1	Stud Assembly, By-Pass Adjusting (Includes Nut)
4	120A140	1	Spring, By-Pass Valve
5	120A398	1	Valve, By-Pass
6	120K161	1	Gasket Kit, Oil Pump
7	526-66	1	Washer, Oil Pressure Relief Valve Adjusting Screw
8	193P5	1	Gauge, Oil Pressure
9	502-5	1	Elbow, Oil Line to Gauge
10	501-3	1	Line, Flexible - Oil Gauge
11	122D320	1	Adapter, Oil Filter

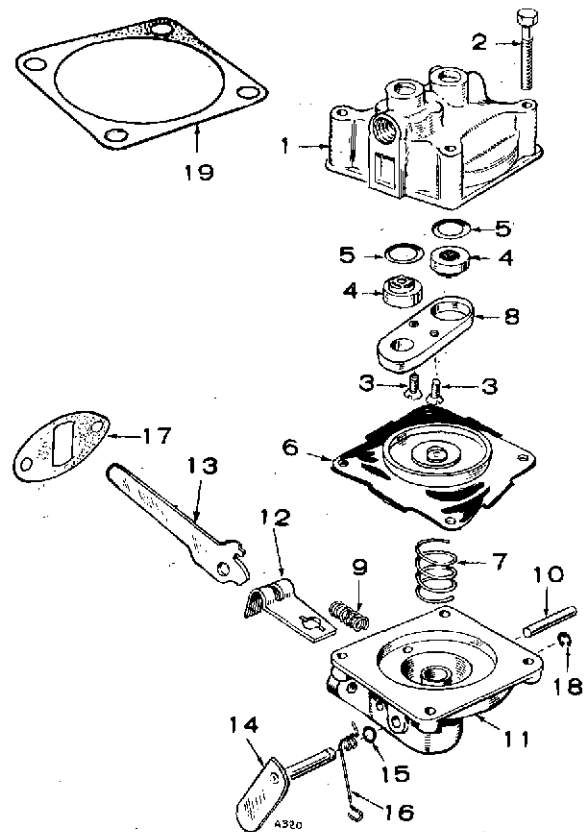
REF. NO.	PART NO.	QTY. USED	PART DESCRIPTION
12	122A321	1	Gasket, Adapter
13	122B323	1	Filter, Oil
14	309A10	1	Switch, Low Oil Pressure - Opt.
15	502-58	1	Tee, Low Oil Pressure Switch - Optional
16	193-108	1	Sender, Oil Pressure - Optional
17	526-65	2	Washer (Copper), Adapter Mtg.
18	800-28	2	Screw, Hex Cap - Adapter Mtg.
19	122A347	1	Gasket, Oil Filter
20	800-7	2	Screw (1/4-20 x 1") - Oil Pump Mounting
21	850-40	2	Washer, Lock (1/4")

\* - Order by description, giving complete Model, Spec and Serial Number.

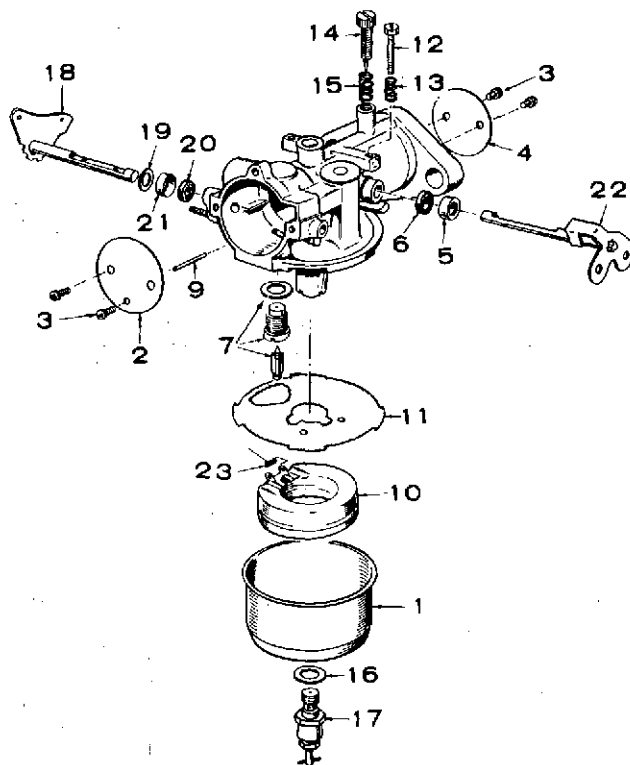
## FUEL PUMP PARTS GROUP

REF. NO.	PART NO.	QTY. USED	PART DESCRIPTION
	149D1223	1	Pump, Fuel (Illustrated in Fuel System Group)
	149K526	1	Repair Parts Kit - Includes Parts Marked *
1		1	Body, Not Sold Separately
2	815-148	4	Screw, Machine, #8-32 x 7/8"
3	815-147	2	Screw, Phillips Self Tapping, #6-32 x 5/8", Valve Retainer
4	149-96	2	*Valve and Cage
5	149A95	2	*Gasket, Valve
6	149A582	1	*Diaphragm Assembly
7	149A672	1	*Spring
8	149A539	1	Retainer, Valve Cage
9	149A675	1	*Spring
10	516A113	1	Pin, Rocker Arm
11		1	Body, Not Sold Separately
12	149A670	1	Link, Rocker
13	149B1148	1	Arm, Rocker
14	149A1042	1	Lever, Primer
15	509-65	2	Seal, "O" Ring
16	SPRING, PRIMER LEVER		
	149-1044	1	RH - Side
	149-0404	1	LH - Side
17	149A3	1	*Gasket, Pump Mounting
18	518P129	1	Ring, Retainer, Primer Lever
19	149A858	1	*Gasket, Diaphragm - Lower Side

\* Parts in Repair Kit



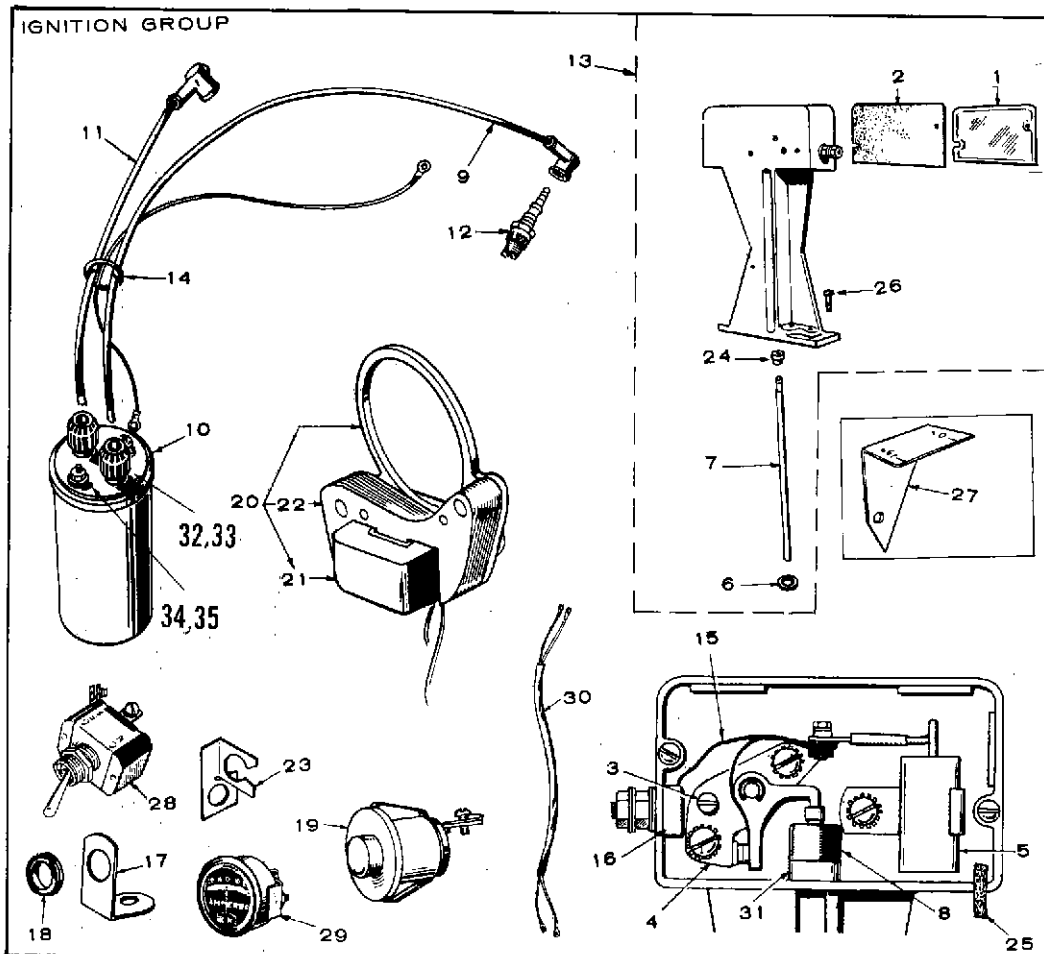
## CARBURETOR PARTS GROUP



REF. NO.	PART NO.	QTY. USED	PART DESCRIPTION
CARBURETOR, GASOLINE			
	141D689	1	Manual Choke
	141D690	1	Electric Choke
	141P747	1	Repair Kit (Includes Parts Marked *)
	141K748	1	Gasket Kit (Includes Parts Marked ★)
	141A281	1	*★Gasket, Carburetor Flange
1	141P708	1	Bowl, Fuel
2	141P741	1	Plate, Choke
3	141P698	4	Screw & Washer, Choke & Throttle Plate Mounting
4	141P706	1	Plate, Throttle
5	141P705	1	*Retainer, Seal
6	141-661	1	*★Seal, Rubber
7	141P0830	1	*Valve Seat Assembly, Fuel
9	141P703	1	*Shaft, Float
10	141P702	1	Float Assembly
11	141P701	1	*★Gasket, Bowl to Body
12	141P700	1	Screw, Throttle Stop
13	141P711	1	Spring, Throttle Stop
14	141P713	1	Needle, Idle Adjusting
15	141P710	1	Spring, Idle Needle
16	141A77	1	*★Washer, Main Jet Assembly
17	141P712	1	Jet Assembly, Main (Adjustable)
18	SHAFT, CHOKE		
	141-742	1	Manual Choke Units
	141B679	1	Electric Choke Units
19	141P699	1	Washer, Manual Choke Units
20	141P697	1	*★Seal, Felt - Manual Choke Units
21	141P203	1	*Retainer, Felt Seal - Manual Choke Units
22	141P709	1	Shaft & Lever, Throttle
23	141-799	1	*Spring, Float

\* Parts contained in Repair Kit.

★Parts contained in Gasket Kit.

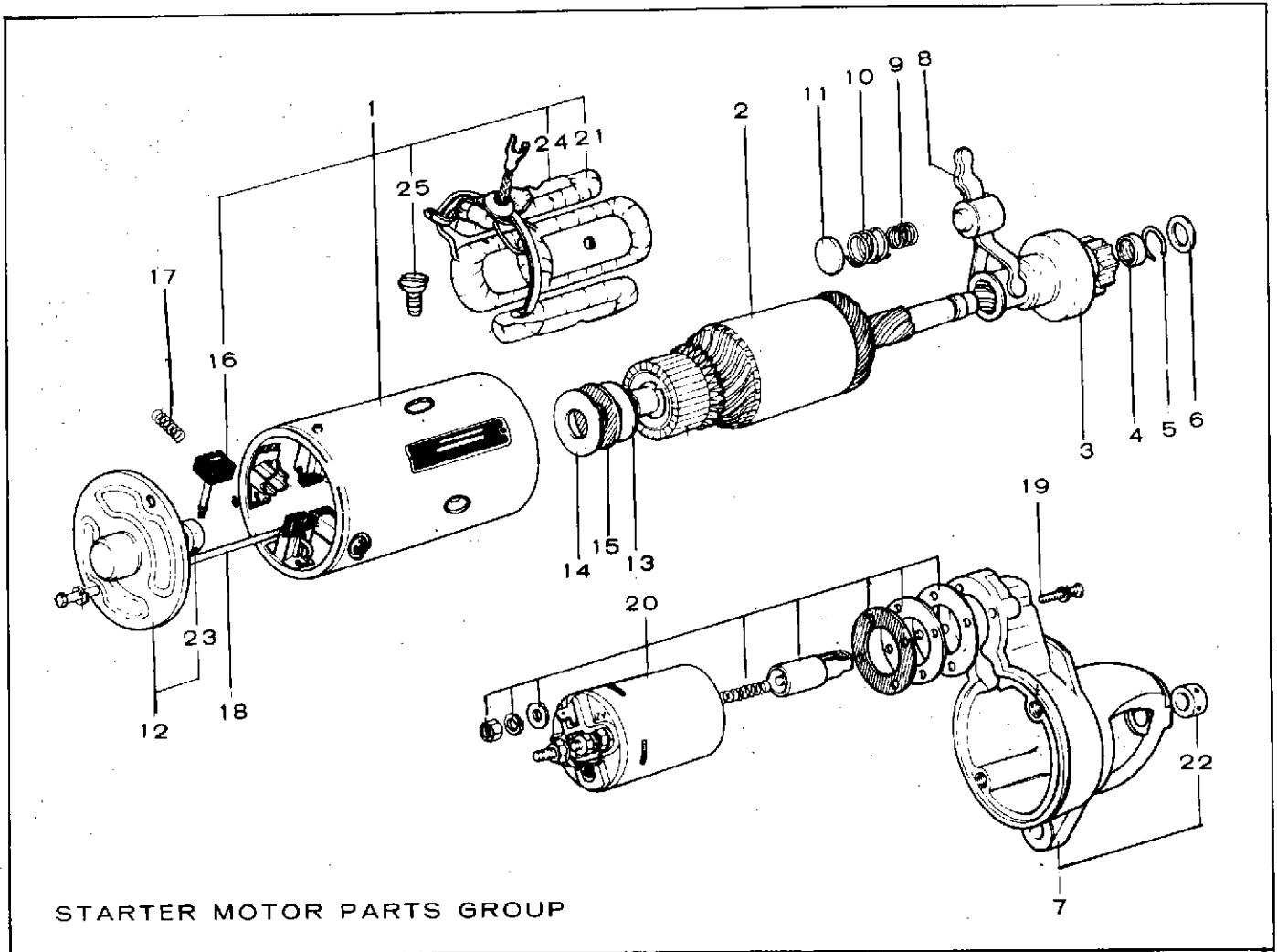


REF. NO.	PART NO.	QTY. USED	PART DESCRIPTION
1	160A930	1	Cover, Breaker Box
2	160A150	1	Gasket, Breaker Box Cover
3	160A75	1	Cam, Point Gap Adjusting
4	160A2	1	*Point Set, Breaker
5	312A69	1	*Condenser, Breaker Points
6	160A1040	1	Gasket, Breaker Box Mounting
7	160A723	1	Plunger
8	160A1143	1	Diaphragm, Breaker Box
9	CABLE, SPARK PLUG - RIGHT HAND	1	
	167A1464	1	Key 2 (24")
	167A1548	1	Key 1 (21")
10	166B535	1	Coil, Ignition, Key 2
11	167A1463	1	Cable (19"), Spark Plug - L.H.
12	167-241	2	Plug, Spark
13	160A1135	1	Box, Breaker (Includes Points, Condenser Cover, Gasket & Bushing)
14	509-35	1	"O" Ring - Spark Plug Cables
15	160A428	1	Strap, Point Set to Terminal Block
16	160A349	1	Block & Terminal Assembly

REF. NO.	PART NO.	QTY. USED	PART DESCRIPTION
17	332A273	1	Clip, Magneto Lead, Key 1
18	GROMMET	1	
	508A2	1	Magneto Lead Clip, Key 1
	508P114	1	Ignition Coil Lead, Key 2
	508P95	2	Spark Plug Cables
19	313-18	1	Switch, Ignition Stop, Key 1
20	160B1121	1	Magneto Stator Assy., Key 1
21	160D1124	1	Coil, Magneto Stator, Key 1
22	160B1118	1	Pole Shoe, Magneto Stator, Key 1
23	167A188	4	Clip, Spark Plug Cables, Key 1
24	160A1041	1	Bushing, Breaker Box (Bottom)
25	160A261	1	Wick, Breaker Box
26	815P357	2	Screw, Mounting - Breaker Box
27	166B519	1	Bracket, Timing - Vacu-Flo Cooled Engines
28	308A140	1	Switch, Toggle - Ignition (Start-On-Off) - Optional
29	302A60	1	Ammeter, DC (20-0-20) - Opt.
30	338A613	1	Harness, Wiring - Ammeter to Terminal Block - Optional
31	160A931	1	Guide, Plunger
	160-0836	1	Ignition Tune-Up Kit (Incl. Parts Marked *)
32	166-0604	2	Cap, Coil Terminal (Part of Coil)
33	166-0614	2	Bushing, Rubber (Inside Cap 166-0604)
34	166-0554	2	Nut, Hex (Special)
35	850-2005	2	Washer, Lock-Spring (Metric)

\* - Parts Included in 160-0836 Ignition Tune-Up Kit.





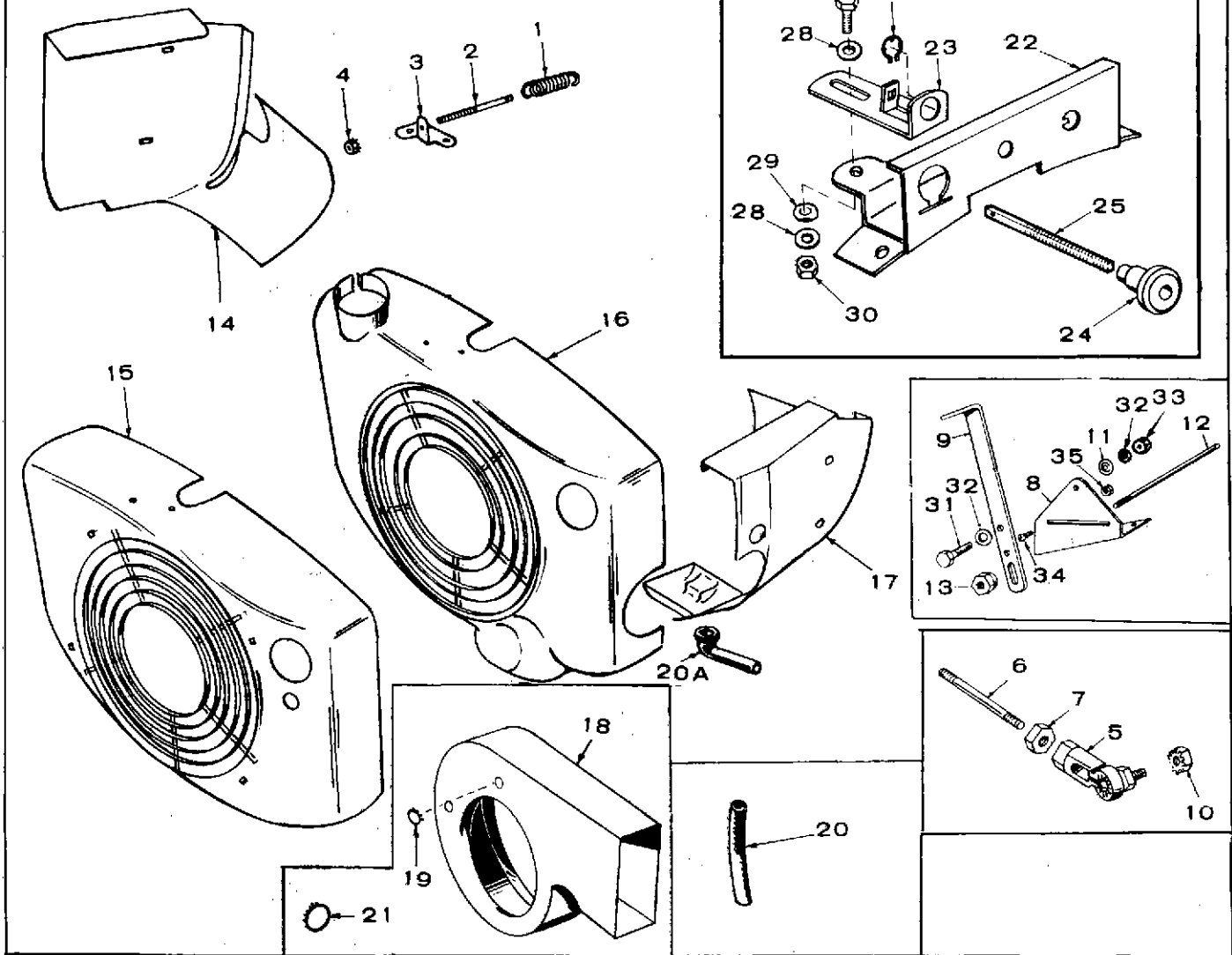
STARTER MOTOR PARTS GROUP

REF. NO.	PART NO.	QTY. USED	PART DESCRIPTION
1	191D734	1	Motor Assembly, Starting
1	191-742	1	Yoke Assembly (Frame) - Includes Parts Marked *
2	191-743	1	Armature
3	191-744	1	Clutch, Starter
4	191-745	1	Stop, Pinion
5	191-746	1	Ring
6	191-747	1	Washer, Plain
7	191-748	1	Bracket Assembly, Front
8	191-749	1	Lever Assembly
9	191-750	1	Spring, Lever
10	191-751	1	Spring, Lever
11	191-752	1	Holder, Spring
12	191-753	1	Bracket Assembly, Rear
13	191-754	1	Washer, Plain

REF. NO.	PART NO.	QTY. USED	PART DESCRIPTION
14	191-755	1	Washer, Plain
15	191-756	1	Washer, Insulator
16	191-757	4	* Brush
17	191-758	4	Spring, Brush
18	191-759	2	Bolt, Through
19	191-760	3	Screw, Machine P.H.
20	191-761	1	Switch Assembly, Solenoid
21	191-762	1	* Coil Assembly, Field
22	191-763	1	Bearing, Front
23	191-764	1	Bearing, Rear
24	191-765	4	* Pole Shoe
25	191-766	4	* Screw, Pan Head

\* Included in Yoke Assembly.

# HOUSING AND GOVERNOR GROUP



REF. NO.	PART NO.	QTY. USED	PART DESCRIPTION
1	150A98	1	Spring, Governor (All Governor Controlled Engines)
2	150A96	1	Stud, Speed Adjustment (Std. Governor Controlled Engine)
3	150A1262	1	Bracket, Speed Stud (Standard Governor Controlled Engine)
4	870-131	1	Nut, Speed Adjustment (Std. Governor Controlled Engine)
5	150A939	2	Joint, Ball (All Governor Controlled Engines)
6	520A623	1	Link, Throttle (All Governor Controlled Engines)
7	870P188	2	Palnut, Locking
8	152B86	1	Bracket, Variable Speed Control (Optional)
9	152A83	1	Lever, Variable Speed Control (Optional)
10	870-131	2	Nut, Keys
11	152A41	1	Washer, Variable Speed Lever Tension (Optional)
12	152A90	1	Stud, Variable Speed Adjustment (Optional)
13	150A621	1	Nut, Variable Speed Adjustment Stud (Optional)
14	HOUSING, CYLINDER AIR - LEFT		
	134D1986	1	Spec A and B
	134D2141	1	Begin Spec C
	HOUSING, BLOWER		
15	134C1988	1	Key 1
16	134C1992	1	Key 2
16	134C2119	1	Vacu-Flo Cooled Engines - Optional
16	134C2264	1	Engines With Optional Top Mounted Control

REF. NO.	PART NO.	QTY. USED	PART DESCRIPTION
17	HOUSING, CYLINDER AIR - RIGHT		
	134B1990	1	Key 1 - Spec A and B
	134B2142	1	Key 1 - Begin Spec C
	134B1997	1	Key 2 - Spec A and B
	134B2143	1	Key 2 - Begin Spec C
18	134B2149	1	Scroll, Air - Vacu-Flo Cooled Engines - Optional
19	517-21	2	Plug, Dot Button (7/8") - Air Scroll - Vacu-Flo Cooled Engines - Optional
	HOSE, OIL DRAIN		
20	503A391	1	Early Models
20A	122B345	1	Later Models
21	517-35	1	Plug, Dot Button (1-1/16") - Vacu-Flo Cooled Engines - Optional
22	134B2251	1	Panel & Support, Control - Optional
23	150B1323	1	Slide, Governor Control - Opt.
24	150A1324	1	Knob, Governor Control - Opt.
25	150A1325	1	Stud, Governor Control - Opt.
26	518-305	1	Ring, Retainer
27	800-4	1	Screw (1/4-20 x 5/8")
28	526-18	2	Washer, Flat
29	851-21	1	Washer, Tension
30	870-259	1	Nut, Lock (1/4-20)
31	800-5	1	Screw (1/4-20 x 3/4")
32	526-15	2	Washer, Flat (1/4)
33	870-65	1	Nut, Hex (1/4-20)
34	815-199	2	Screw (10-32 x 5/16")
35	870-131	2	Nut & Washer (10-32)

## SERVICE KITS AND MISCELLANEOUS

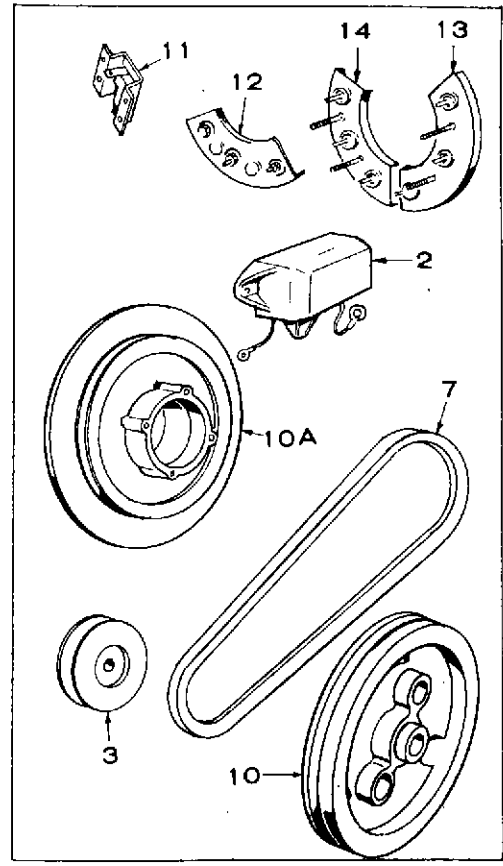
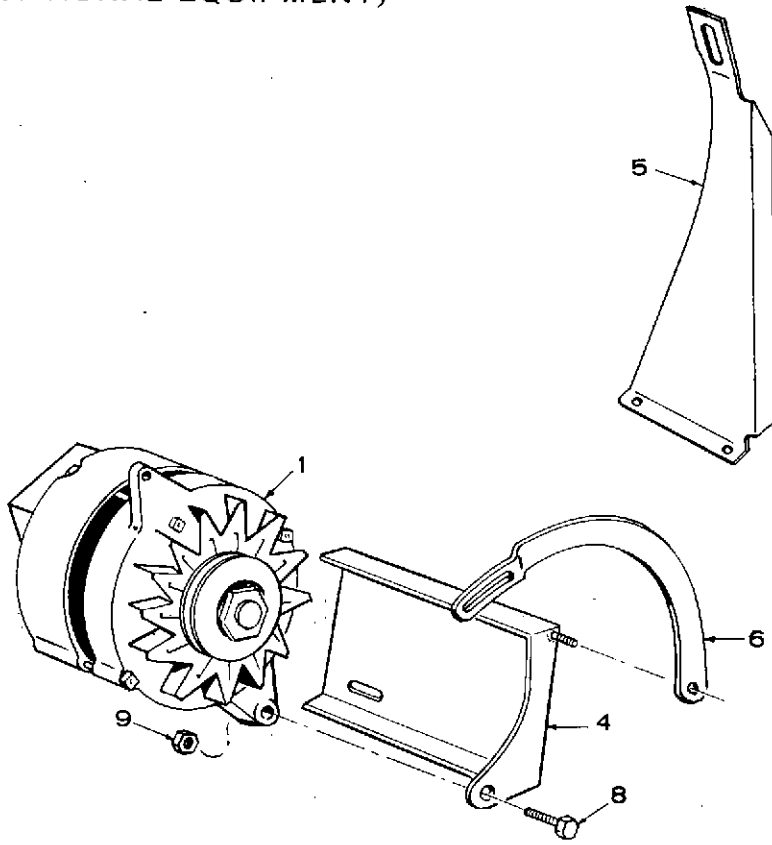
**NOTE:** For other kits, refer to the group for the part in question.

<u>PART NO.</u>	<u>QTY. USED</u>	<u>PART DESCRIPTION</u>
168K113	1	Gasket Kit, Complete Engine
168K115	1	Gasket Kit, Carbon Removal
522K254	1	Overhaul Kit, Engine
525P137	1	Paint, Green Touch-Up Enamel - 16 Oz. Pressurized Can

# OPTIONAL EQUIPMENT SECTION

This section contains illustrated parts listing of factory installed options for these industrial engines. Options may not be applicable to all models; for field conversions additional parts are usually required. Optional parts listed in this section are in addition or in place of those shown in the standard engine parts section.

**ALTERNATOR GROUP  
(OPTIONAL EQUIPMENT)**

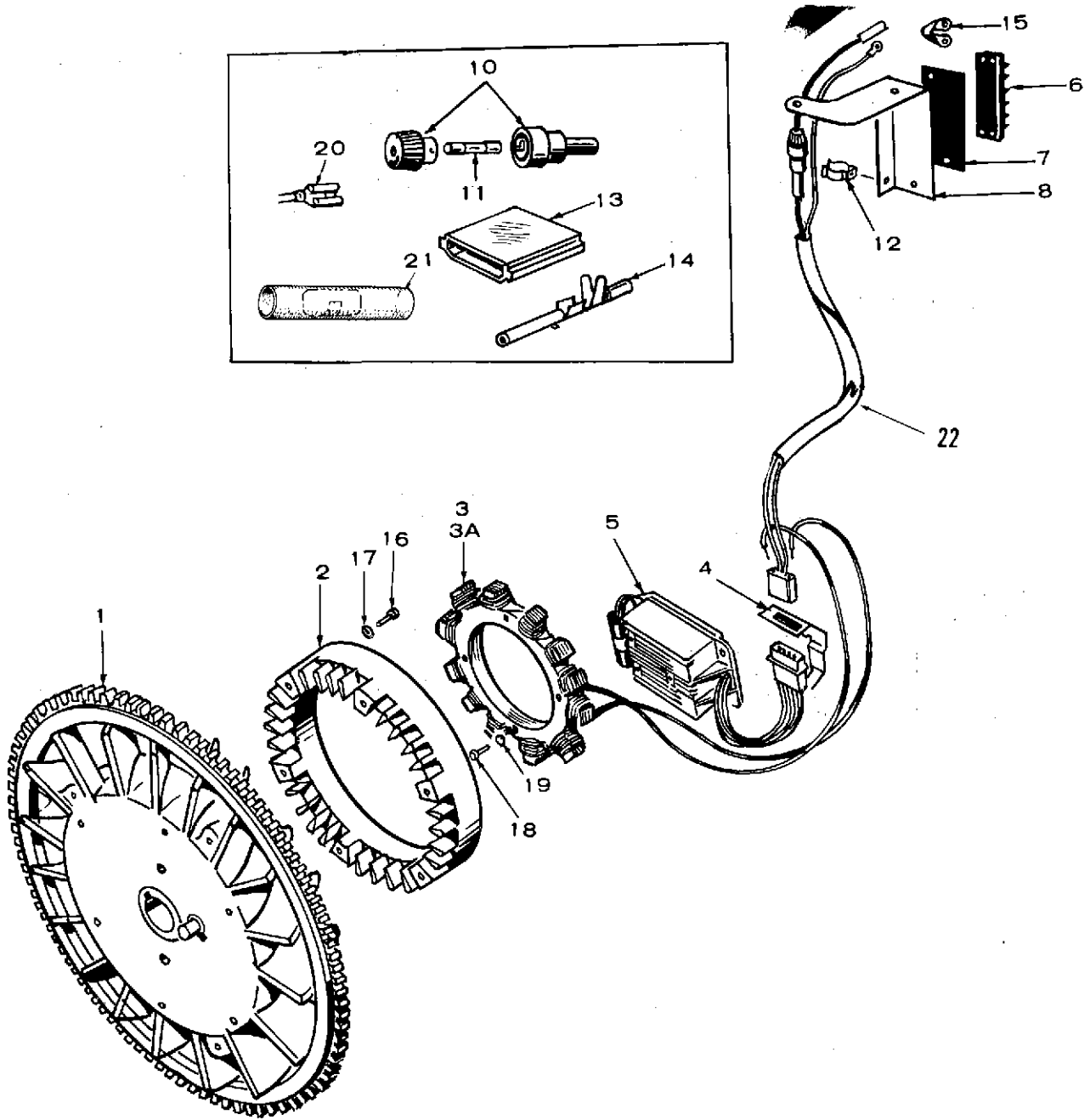


REF. NO.	PART NO.	QTY. USED	PART DESCRIPTION
1	191-573	1	★Alternator, 12 Volt, 35 Amp. Less Reg. & Pulley
2	191-574	1	Regulator, Voltage
3	191C623	1	Pulley, Alternator
4	BRACKET, ALTERNATOR MOUNTING		
	191B537	1	Key 2
	191B811	1	Vacu-Flo Cooled Engines
5	191C840	1	Bracket, Stiffener - Vacu-Flo Cooled Engines
6	191A535	1	Bracket, Alternator Adjusting
7	511-51	1	Belt, Alternator Drive
8	800-94	1	Screw (1/2-13 x 2") - Alternator Mounting
9	862-16	1	Nut, Hex (1/2-13) - Alternator Mounting

REF. NO.	PART NO.	QTY. USED	PART DESCRIPTION
			PULLEY, ALTERNATOR DRIVE
10	191C848	1	Key 2 - Spec A Only
10	191C812	1	Key 2 - Begin Spec B
10A	191C134	1	Vacu-Flo Cooled Engines
11	191P659	1	Brush & Holder Assembly (Alternator)
12	191P671	1	Diode Assembly, Isolation (Alternator)
13	191P662-	1	Diode Assembly, Rectifier-Negative (Alternator)
14	191P661	1	Diode Assembly, Rectifier-Positive (Alternator)

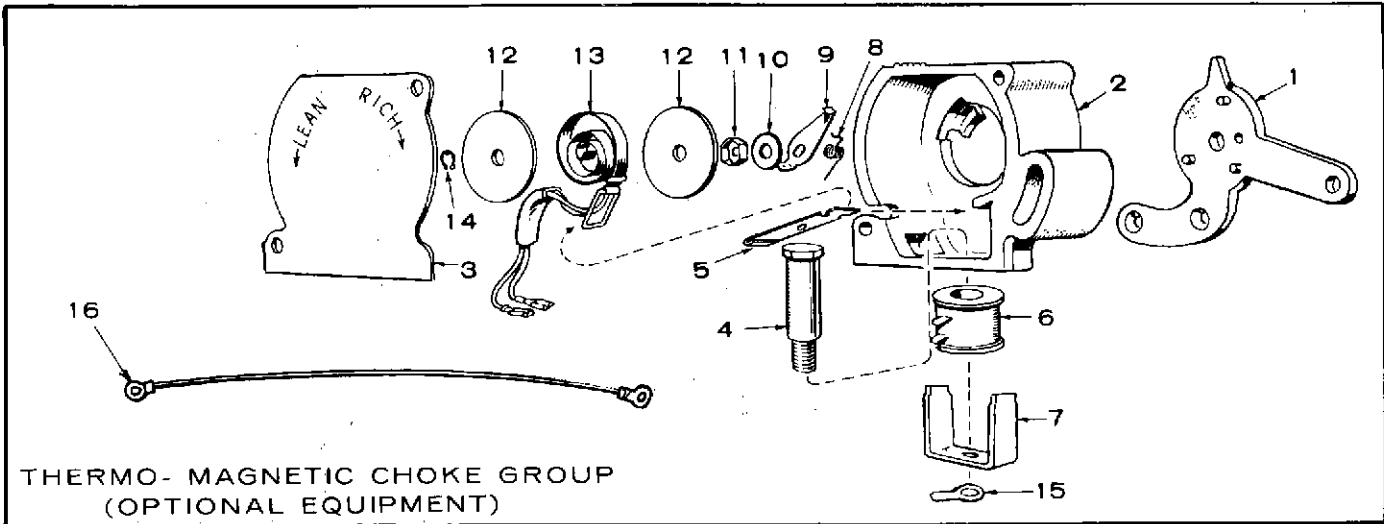
★ - For components not listed, contact your nearest Motorola Dealer or Motorola Automotive Products, Inc., 9401 W. Grand Ave., Franklin Park, Illinois 60131.

CHARGING ALTERNATOR GROUP - 20 AMP (WICO) (OPTIONAL EQUIPMENT)



REF. NO.	PART NO.	QTY. USED	PART DESCRIPTION
1	FLYWHEEL - INCLUDES RING GEAR (Also listed in Crankshaft and Flywheel Group) 134B2071 134B1895	1	Spec A Only Begin Spec B
2	191C400	1	Rotor
3	191-1636	1	Stator Assembly (Includes Parts Marked *)
4	332A1410	1	Bracket, Connector Mounting
5	305C0478	1	Regulator - Rectifier Assembly
6	332A604	1	Block, Terminal (5-Place)
7	332A1273	1	Strip, Marker
8	301B3230	1	Bracket, Terminal Block Mtg.

REF. NO.	PART NO.	QTY. USED	PART DESCRIPTION
10	321P165	1	*Holder Assembly, Fuse
11	321-162	1	*Fuse - 30 Amp
12	321B169	1	Clip, Fuse Holder Mounting
13	323P759	1	*Connector, Socket Housing
14	323C488	4	*Socket, Connector
15	337A88	1	Jumper, Terminal Block
16	812-156	6	Screw (1/4-20 x 1-1/2") - Rotor to Flywheel
17	850-40	6	Washer, Lock (1/4)
18	813-108	3	Screw (10-32 x 1-1/2") - Stator to Gearcover
19	850-30	3	Washer, Lock (#10)
20	332P529	1	*Terminal, Faston
21	332-556	1	*Connector, Faston
22	338-0518	1	Harness, Wiring

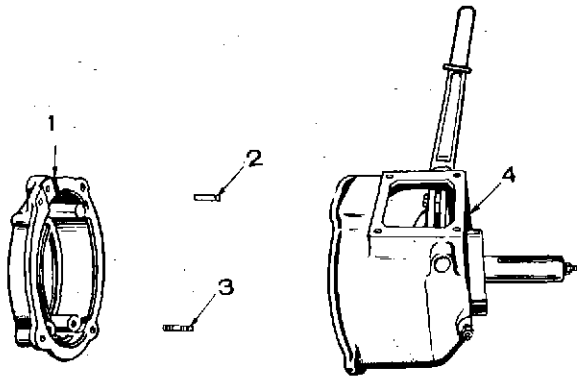


**THERMO- MAGNETIC CHOKE GROUP  
(OPTIONAL EQUIPMENT)**

REF. NO.	PART NO.	QTY. USED	PART DESCRIPTION	REF. NO.	PART NO.	QTY. USED	PART DESCRIPTION
	153K429	1	Replacement Kit (Includes complete Choke-less leads)	10	526-18	1	Washer (17/64" I.D. x 5/8" O.D. x 1/16")
1	153C385	1	Plate, Mounting	11	870-134	1	Palnut (1/4-20)
2	153D386	1	Body	12	153A399	2	Insulator
3	153C389	1	Cover	13	153B400	1	Heater Assembly
4	153B391	1	Core, Solenoid	14	518-129	1	Ring, Retaining
5	153A395	1	Armature	15	332A876	1	Terminal, Ground
6	307B801	1	Coil, Solenoid Assembly	16	LEAD, CHOKE		
7	153B392	1	Frame, Solenoid		336A1550	1	Choke to Ground
8	153B387	1	Spring		336A1549	1	Choke Solenoid Ground
9	153B390	1	Lever, Thermostat				

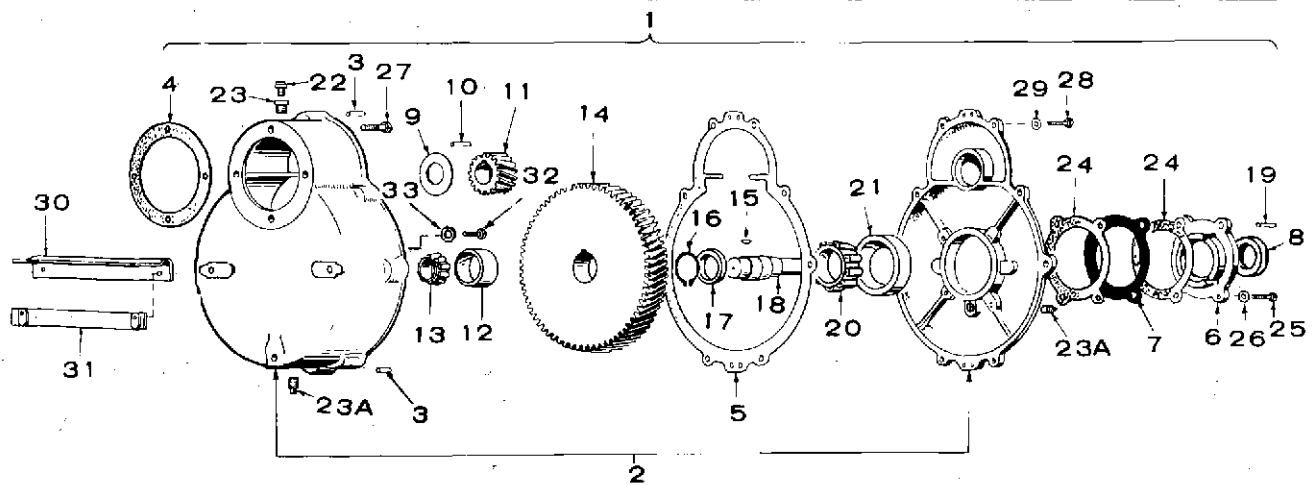


### CLUTCH GROUP (OPTIONAL EQUIPMENT)



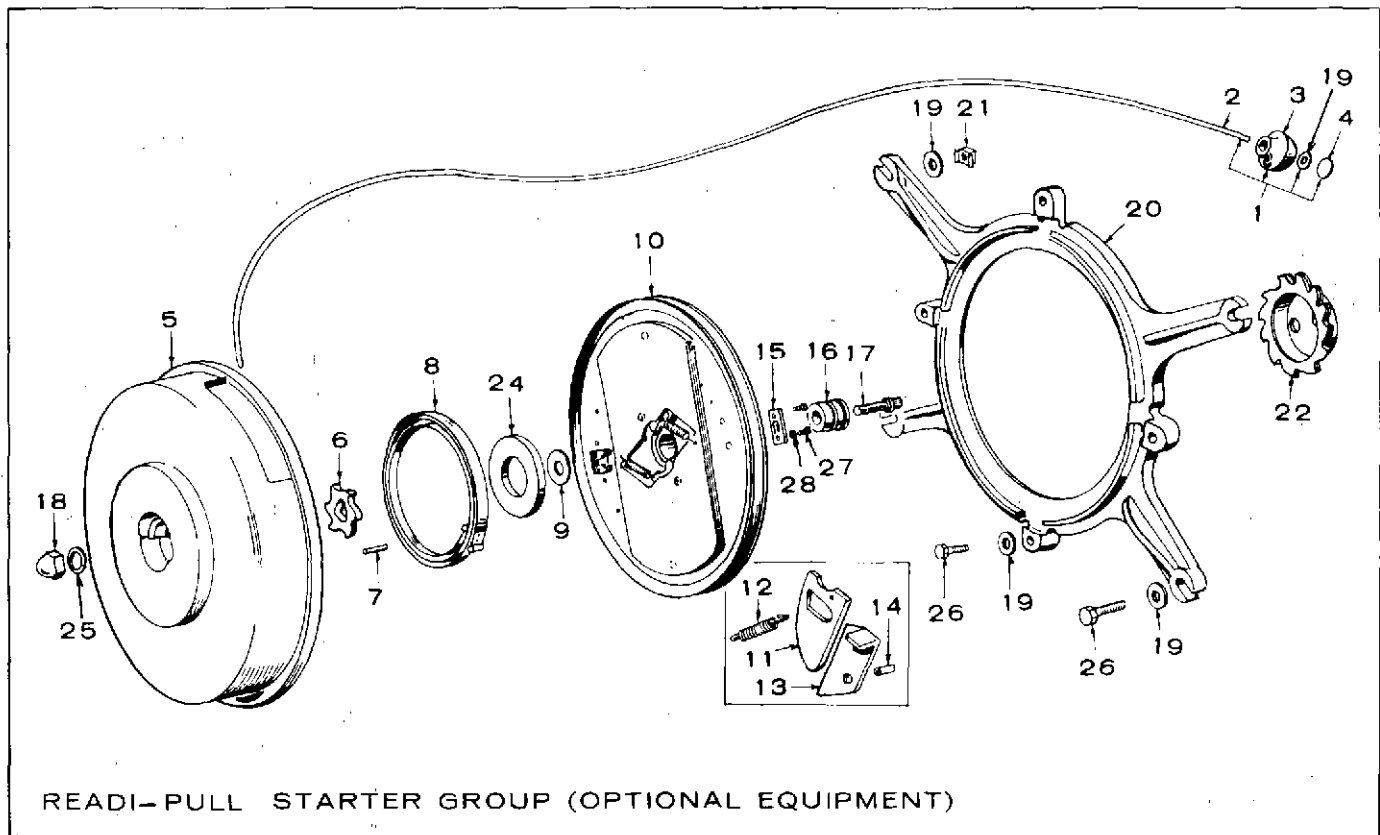
REF. NO.	PART NO.	QTY. USED	PART DESCRIPTION
1	190D171	1	Adapter, Clutch to Engine
2	515-0041	1	Key, Clutch
3	STUD, CLUTCH HOUSING TO ENGINE		
	520A738	1	3/8-16 x 4"
	520A739	2	3/8-16 x 3"
4	190D288	1	*Clutch Assembly
	190K289	1	Clutch Kit - Includes complete Clutch, Adapter, Mounting Hardware & Instructions

\* For component parts, check clutch nameplate and order by description from your nearest Rockford Dealer.



### REDUCTION GEAR GROUP (OPTIONAL EQUIPMENT)

REF. NO.	PART NO.	QTY. USED	PART DESCRIPTION	REF. NO.	PART NO.	QTY. USED	PART DESCRIPTION
1	190C290	1	Reduction Gear Assembly (4-1) Complete	20	510-23	1	Cone, Roller Bearing, Take-off End
2	190A300	1	Housing - Includes Cover (Also Order 2 #516A12 Pins)	21	510-24	1	Cup, Roller Bearing, Take-off End
3	516A12	2	Pin, Dowel, Cover to Housing	22	518P172	1	Vent
4	190A20	1	Gasket, Housing to Engine	23	505-7	1	Bushing, Reducer (1/4 x 1/8)
5	190B21	1	Gasket, Cover to Housing	23A	505-54	2	Plug, Pipe (1/4)
6	190B16	1	Plate, Bearing Retainer	24	190A306	2	Gasket, Bearing Plate to Housing
7	190A115	1	Shim Set, End-Play Adjustment (1 each .005", .009", .012", .016", .020", .025")	25	800-7	4	Screw (1/4-20 x 1") - Bearing Plate to Housing
8	509-16	1	Seal, Oil, Retainer Plate	26	526-63	4	Washer, Flat (Copper)
9	190A195	1	Washer, Pinion Gear	27	805-9	4	Bolt, Place (5/16-18 x 1") - Housing to Engine
10	515A142	1	Key, Pinion Gear	28	800-28	8	Screw (5/16-18 x 1") - Cover to Housing
11	190A191	1	Gear, Pinion	29	526-65	8	Washer, Flat (Copper)
12	510-22	1	Cup, Roller Bearing, Engine End	30	190B297	1	Support, Housing Assembly
13	510-21	1	Cone, Roller Bearing, Engine End	31	190A298	1	Fastener, Support - Housing Assembly
14	190B190	1	Gear, Driven	32	800-26	2	Screw (5/16-18 x 3/4") - Housing to Support
15	515A159	1	Key, Driven Gear	33	526-65	2	Washer, Flat (Copper) - Housing to Support
16	518-13	1	Ring, Snap, Retainer				
17	190A202	1	Spacer, Bearing				
18	190A192	1	Shaft, Take-Off				
19	515A103	1	Key, Take-Off Shaft				



REF. NO.	PART NO.	QTY. USED	PART DESCRIPTION
	192K325	1	Starter Kit, Complete - Includes Mounting Ring & Ratchet Wheel
1	192A45	1	Rope & Grip Assembly
2	192A43	1	Rope, Starter, Less Grip (83")
3	192A44	1	Grip, Starter Rope - Rubber
4	517A25	1	Plug, Starter Rope Grip
5	192C152	1	Cover, Starter
6	192A153	1	Wheel, Cog-Anti-Backlash
7	516-138	1	Pin (3/16 x 5/8") Recoil Spring
8	192A39	1	Spring, Recoil
9	526A123	1	Washer, Thrust (Sheave Bushing to Cover)
10	192B180	1	Sheave, Rope (Includes Parts Marked *)
11	192A172	2	*Pawl
12	192A165	2	*Spring, Pawl
13	192A168	2	*Arm, Ratchet
14	516-110	4	*Pin, Roll (5/16 x 1/2") - (2) Ratchet Arm, (2) Pawl
15	192A167	1	*Clamp, Rope
16	192A163	1	Bearing, Sheave Hub (Bronze)
17	192A323	1	Capscrew (3/8-16 x 1-1/2")
18	870-138	1	Nut, Bushing to Cover Screw

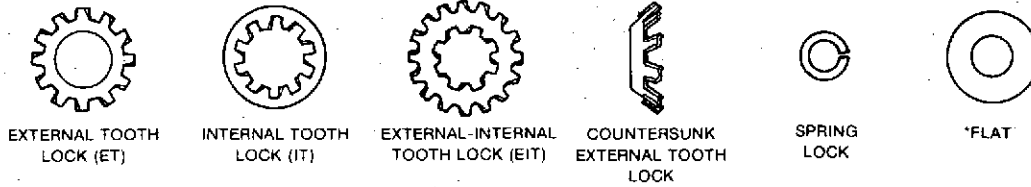
REF. NO.	PART NO.	QTY. USED	PART DESCRIPTION
19	WASHER, FLAT		
	526A180	4	Starter to Mounting Ring
	526A169	1	Starter Rope Grip
	526-130	4	Starter Ring to Blower Housing (1/16" Thick)
	526-158	4	Starter Ring to Blower Housing (1/8" Thick)
20	192C186	1	Ring, Starter to Blower Housing Mounting
21	870-110	4	Nut, Speed Grip, Starter Ring to Blower Housing
22	192B309	1	Wheel, Ratchet
24	526A168	1	Washer, Recoil Spring Retainer
25	WASHER, LOCK		
	850-50	1	Cover Nut
26	SCREW, HEX CAP		
	800-7	4	Starter Ring to Blower Housing
	815-137	4	Starter to Mounting Ring
27	815-137	2	*Screw, Hex Cap - Rope Clamp Mounting
28	526-15	2	*Washer, Flat - Rope Clamp Mounting

\* - Included in #192B180 Rope Sheave Assembly.

# HARDWARE IDENTIFICATION

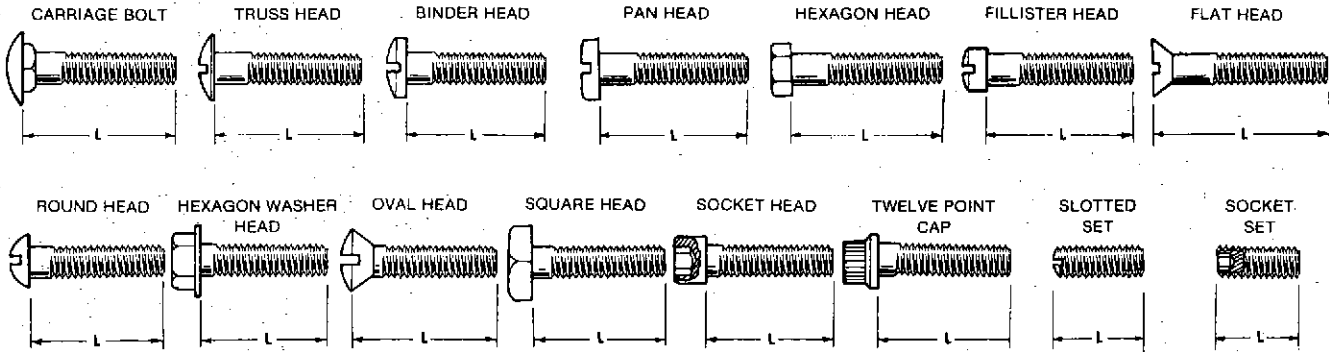
Illustrated hardware items are only for identification purposes. All hardware items listed throughout this parts catalog are steel SAE grade five (5) or lower (zinc plated with clear chromate dip) unless parts description indicates differently. All dimensions are in inches.

## WASHER TYPES



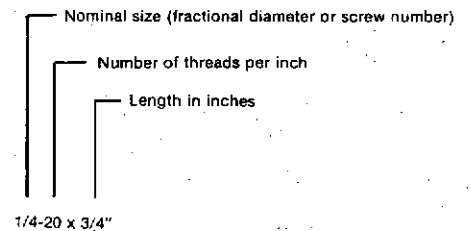
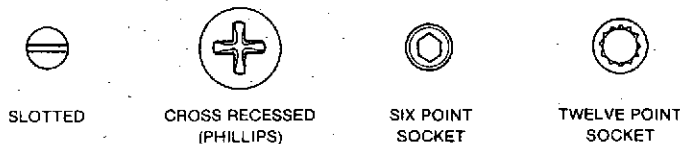
\* - Flat washer dimensions given are: Inside Diameter (ID), Outside Diameter (OD) and Thickness (Thk).

## BOLT AND SCREW TYPES



L - Measure length between these points.

### INTERNAL DRIVE TYPES



## NUT TYPES



STD. #35

MODEL NH-MS SPEC. 2053B

**SUPPLEMENTARY PARTS LIST 900- 43 (per above model and spec.)**  
**Parts listed below apply to the above model. Use these parts in**  
**place of ( or in addition to ), the parts listed for Parts Key 2**  
**in the standard parts catalog No. 940-~~0253~~**

PART NO.	QUAN.	DESCRIPTION
NOTE: Charging Alternator group in the main parts catalog applies to this plant.		
102B649	1	Base, Oil
104D715	1	Crankshaft
110A1851	1	Block Assy., Cylinder - Incl. Bearings, Guides & Seats
120B691	1	Intake, Oil Pump - Incl. Cup, Screen and Pipe
123A527	1	Cap and Indicator, Oil Fill
150A1315	1	Shaft and Arm, Governor
313-16	1	Spacer, Fuse Clip
3C1B3352	1	Bracket, Terminal Block and Governor Arm
150A1314	1	Arm, Governor - Rear Pull
152A155	1	Swivel, Choke Lever
516-59	1	Pin, Cotter - Choke Lever
150-147	1	Stud, Governor Spring
152A179	1	Bracket, Throttle
152A9J	1	Rod, Variable Speed Adjustment
150A939	1	Joint, Ball
150A1081	2	Joint, Ball
153A327	1	Bracket, Manual Choke
518P176	1	Clip, Choke Cable
134C2228	1	Housing, Blower
134B1895	1	Flywheel - Includes Ring Gear
509A97	1	Seal, Oil - Gear Cover (Std. Spec A Only)
134B2071	1	Flywheel & Ring Gear (Std. Spec A Only)

NH-MS

2128B

MODEL

SPEC.

**SUPPLEMENTARY PARTS LIST 900- 43 (per above model and spec.)**  
 Parts listed below apply to the above model. Use these parts in  
 place of ( or in addition to ) the parts listed for Parts Key \_\_\_\_\_  
 in the standard parts catalog No. 940-~~43~~ 0253

PART NO.	QUAN.	DESCRIPTION
NOTE: Charging Alternator group in the main parts catalog applies to this plant.		
102B649	1	Base, Oil
104D716	1	Crankshaft
110A1851	1	Block Assy., Cylinder - Incl. Bearings, Guides & Seats
120B691	1	Intake, Oil Pump - Incl. Cup, Screen and Pipe
123A527	1	Cap and Indicator, Oil Fill
150A1315	1	Shaft and Arm, Governor
313-16	1	Spacer, Fuse Clip
301B3352	1	Bracket, Terminal Block and Governor Arm
150A1314	1	Arm, Governor - Rear Pull
152A155	1	Swivel, Choke Lever
516-59	1	Pin, Cotter - Choke Lever
150-147	1	Stud, Governor Spring
152A179	1	Bracket, Throttle
152A90	1	Rod, Variable Speed Adjustment
153A327	1	Bracket, Manual Choke
518P176	1	Clip, Choke Cable
134A2269	1	Housing, Blower
140C1135	1	Cleaner, Air
140B1133	1	Bracket, Air Cleaner Mounting
134B1895	1	Flywheel - Includes Ring Gear

MODEL NI-MS SPEC 2136B  
NI-MS 2136C

**SUPPLEMENTARY PARTS LIST 900- 43 (per above model and spec.)**  
**Parts listed below apply to the above model. Use these parts in**  
**place of ( or in addition to ) the parts listed for Parts Key 2**  
**in the standard parts catalog No. 940-~~442~~ 0253**

PART NO.	QUAN.	DESCRIPTION
		NOTE: Charging Alternator group in the main parts catalog applies to this plant.
102B649	1	Base, Oil
104D716	1	Crankshaft
110A1851	1	Block Assembly, Cylinder - Incl. Bearing, Guides & Seats
120B691	1	Intake, Oil Pump - Incl. Cup, Screen and Pipe
123A527	1	Cap and Indicator, Oil Fill
150A1315	1	Shaft and Arm, Governor
313-16	1	Spacer, Fuse Clip
301B5352	1	Bracket, Terminal Block and Governor Arm.
150A1314	1	Arm, Governor - Rear Pull
152A155	1	Swivel, Choke Lever
516-59	1	Pin, Cotter - Choke Lever
150-147	1	Stud, Governor Spring
150A1329	1	Bracket, Throttle
152A90	1	Rod, Variable Speed Adjustment
153A327	1	Bracket, Manual Choke
518P176	1	Clip, Choke Cable
134C2281	1	Housing, Blower
134B2279	1	Guard, G'ille, Blower Housing
140C1135	1	Cover, Air Cleaner (Outlet)
140B1133	1	Bracket, Air Cleaner Mounting
134D2141	1	Housing, Cylinder Air - Left
134B2143	1	Housing, Cylinder Air - Right
134B1895	1	Flywheel - Includes Ring Gear

MODEL NI-MS SPEC 2259C

**SUPPLEMENTARY PARTS LIST 900- 43 (per above model and spec.)**  
**Parts listed below apply to the above model. Use these parts in**  
**place of ( or in addition to ) the parts listed for Parts Key 2**  
**in the standard parts catalog No. 940-~~42~~ 0253**

PART NO.	QUAN.	DESCRIPTION
		NOTE: Charging Alternator group in the main parts catalog applies to this plant.
102B675	1	Base, Oil
103A400	1	Cover, Assembly Gear
104D817	1	Crankshaft
110A1954	1	Block Assy., Cylinder - Incl. Bearings, Guides & Seats
110A1939	4	Guide, Valve
110A1932	2	Insert, Intake Valve Seat
120B691	1	Intake, Oil Pump - Incl. Cup, Screen & Pipe
123A1160	1	Cap & Indicator, Oil Fill
150A1315	1	Shaft & Arm, Governor
313-16	1	Spacer, Fuse Clip
301B3352	1	Bracket, Terminal Block & Governor Arm
150A1314	1	Arm, Governor - Rear Pull
152A155	1	Swivel, Choke Lever
516-59	1	Pin, Cotter - Choke Lever
503A546	1	Hose, Breather
150-147	1	Stud, Governor Spring
150A98	1	Spring, Governor
150A1329	1	Bracket, Throttle
152A90	1	Rod, Variable Speed Adjustment
150A939	1	Joint, Ball
167-241	2	Plug, Spark
193A108	1	Sender, Oil Pressure
517-9	1	Plug, Dot Button - Blower Housing
337A88	1	Jumper, Terminal
140A867	1	Adapter & Breather Connector Assy., Air Cleaner
154C1384	1	Manifold, Intake
153A327	1	Bracket, Manual Choke
518P176	1	Clip, Choke Cable

Not Furnished by Onan:

Oil Gauge  
 Air Cleaner



MODEL ME-MS SPEC. 2580 C

**SUPPLEMENTARY PARTS LIST 900- 43 (per above model and spec.)**  
 Parts listed below apply to the above model. Use these parts in  
 place of ( or in addition to ) the parts listed for Parts Key 2  
 in the standard parts catalog No. 940-~~412~~ 0253

PART NO.	QUAN.	DESCRIPTION
		NOTE: This Unit Is Vacuum Flo Cooled
110-1851	1	Block Assembly, Cylinder (Includes Bearings, Guides & Seats)
104-0776	2	Shims (Used As Required)
516-0011	2	Pin, Dowel
104-0817	1	Crankshaft
102-0649	1	Base, Oil
120-0648	1	Intake, Oil Pump (Includes Cup, Screen & Pipe)
149-0136	1	Cover, Fuel Pump Hole
134-1562	1	Housing Assembly, Blower
153-0328	1	Cable Assembly, Choke
153-0327	1	Bracket, Manual Choke
518-0176	1	Clip, Choke Cable
502-0313	1	Elbow, Carburetor Inlet
308-0334	1	Switch & Lead Assembly, Start and Stop
308-0140	1	Switch Only
517-0009	1	Button, Plug Dot

Parts Not Furnished By ONAN:

Fuel Pump  
 Oil Gauge