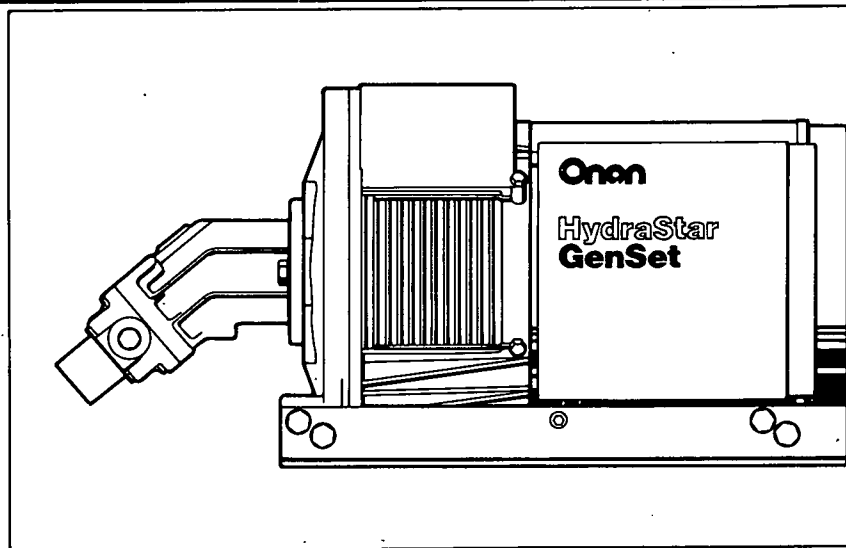


Onan

PARTS CATALOG

YKH HydraStar Generating Set



Hydraulic Electric Generating Set

943-0200
8-89 (Spec A)
Printed in U.S.A.

Introduction

FORWARD

This Service Parts Catalog provides identification for the model(s) listed on this cover. The catalog is arranged in illustrated groups of related items. Each part illustrated is identified by a Reference Number corresponding to the same Reference Number in the parts list.

RIGHT or LEFT side of the engine is determined by FACING the front (radiator end) of the engine. Illustrations are typical and subject to change.

SAFETY PRECAUTIONS

The following symbols are used in Onan manuals to alert users to the potentially dangerous conditions relating to maintenance of the equipment and replacement of parts. Please read and observe.

▲ DANGER *This symbol warns of immediate hazards which will result in severe personal injury or death.*

▲ WARNING *This symbol refers to a hazard or unsafe practice which can result in severe personal injury or death.*

▲ CAUTION *This symbol refers to a hazard or unsafe practice which can result in personal injury or product or property damage.*

MODEL IDENTIFICATION

To avoid errors or delay in filling your parts order, always give the MODEL, SPEC NO., and SERIAL NO. from the Onan nameplate.

For handy reference, insert your nameplate information in the spaces below:

MODEL AND SPEC NO.

SERIAL NO.

PRODUCT SAFETY PRECAUTIONS

▲ WARNING

Contact with USED ENGINE OILS has been identified by a United States federal agency and some USA state agencies as causing CANCER or REPRODUCTIVE TOXICITY. When checking or changing engine oils take all necessary precautions not to ingest, breathe the fumes or contact the used oil.

▲ WARNING

Contact with ASBESTOS has been identified by a United States federal agency and some USA state agencies as causing CANCER or REPRODUCTIVE TOXICITY. When handling engine gaskets take all necessary precautions not to ingest, breathe or contact the dust from the gaskets! Use adequate ventilation and wear protective gloves, masks and clothing!

▲ WARNING

Contact with BENZINE and LEAD, found in gasoline, fuel additives and solvents has been identified by a United States federal agency and some USA agencies as causing CANCER or REPRODUCTIVE TOXICITY. When checking, draining or adding gasoline and fuel additives, or using solvents take all necessary precautions not to ingest, breathe the fumes, or contact the liquids. Use adequate ventilation and wear protective gloves, masks and clothing!

Index

Adapter, Generator	6	Motor, Hydraulic	3
Adapter, Hydraulic	5	Plug, Connector	8
Bell, End	6	Potentiometer	8
Block, Terminal	8	Rectifier - Exciter	6
Box, Control	8	Regulator, Voltage	8
Bracket, Generator Support - Rear	5	Rotor, Exciter	6
Control	8	Rotor, Generator	6
Cover, Air Outlet	5	Spacer, Cover	5
Cover, Control Box	8	Stator, Exciter	6
Cover, End Bell	6	Stator, Generator	6
Fan, Generator	6	Transformer	8
Foot, Mounting	5		
Generator	6		
Guard, Fan	5		

Introduction

This manual applies to the standard YKH Hydraulic Generator Sets as listed in the Generator Set Data Table. Parts are arranged in groups of related items and each illustrated part is identified by a reference number corresponding to the same reference number in the parts list. Using the model and specification number from your generator set nameplate, select parts that apply to your set. Unless otherwise mentioned in the description, parts are interchangeable between models. Throughout this manual, left and right sides are determined by facing the hydraulic motor end (front) of the set.

Generator Set Data Table

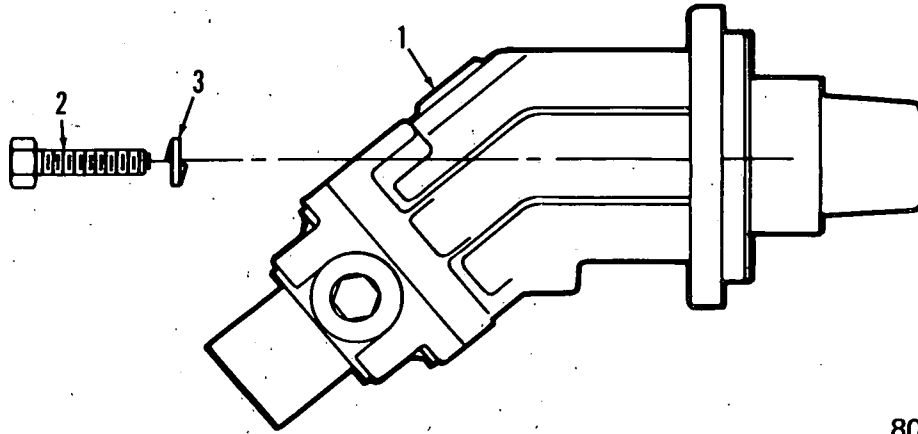
MODEL IDENTIFICATION	RATING
5 YKH-**/*	5,000 WATTS

Electrical Data Table

**VOLTAGE CODES	VOLTS	HERTZ	WIRE	PHASE	NOTES
AD	120/240	60	4	3	+
AJ	120/240	60	4	1	

- * - The diagonal line (/) in the model and specification number separates generator set characteristics from the specification number and letter. The specification number denotes customer requested options or deviations from a standard (1A, 1B, etc.) model. The specification letter advances (A to B, B to C, etc.) with major manufacturing changes.
- ** - Voltage Codes follow model letter designations.
- + - These generators have four load wires which are reconnectible for 120 volt, 2 wire service or 240 volt, 2 wire service or 120/240 volt, 3 wire service.

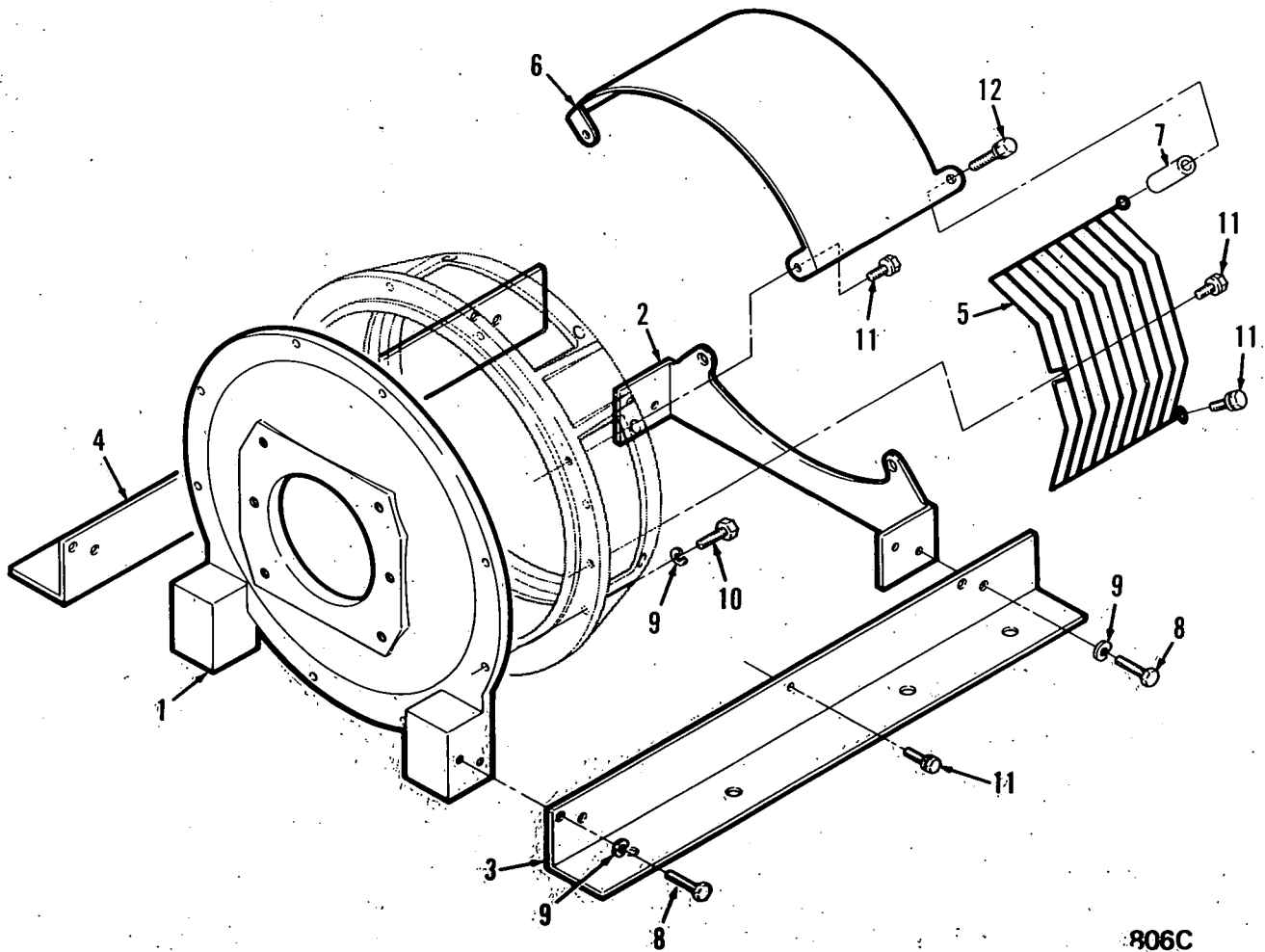
Hydraulic Motor



804A

REF NO.	PART NO.	QTY USED	PART DESCRIPTION
1	121-0082	1	Motor Assembly, Hydraulic (Includes Adapter) SAE B
2	800-2112	2	Screw, Cap - Hex Head (M12 x 30mm)
3	850-2012	2	Washer, Lock - Spring (M12)

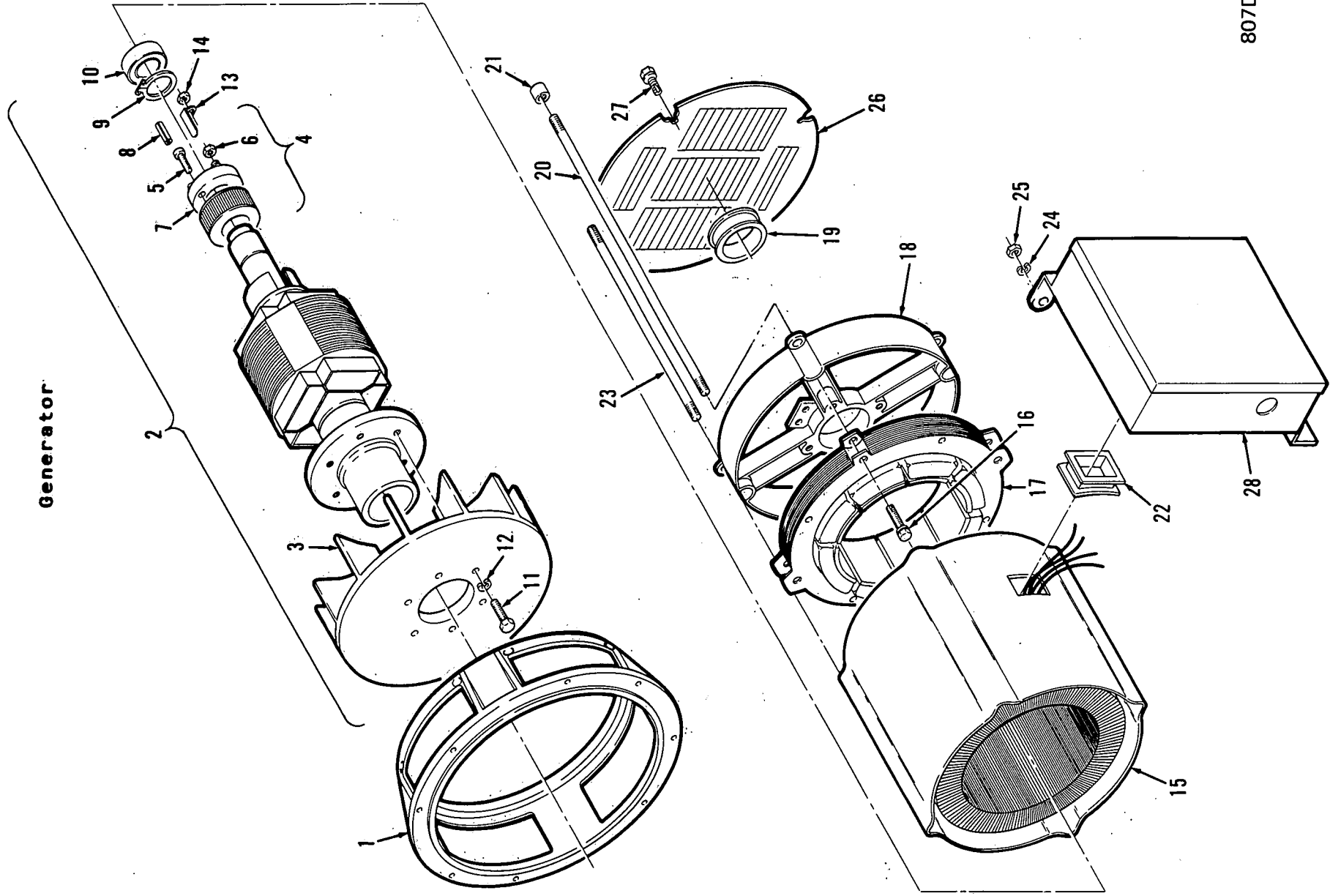
Generator Support



806C

REF NO.	PART NO.	QTY USED	PART DESCRIPTION	REF NO.	PART NO.	QTY USED	PART DESCRIPTION
1	231-0309-01	1	Adapter, Hydraulic	9	850-2010	16	Washer, Lock - Spring (M10)
2	232-3419	1	Bracket, Generator Support	10	800-2087	8	Screw, Cap - Hex Head (M10 x 30mm)
3	232-3417-01	1	Foot, Mounting - Right Side	11	821-2031	13	Screw, Self-Locking - Hex Washer Head (M6 x 8mm)
4	232-3418-01	1	Foot, Mounting - Left Side	12	821-2037	2	Screw, Self-Locking - Hex Washer Head (M6 x 35mm)
5	232-3459	4	Guard, Fan				
6	232-3460	1	Cover, Air Outlet				
7	232-3347	2	Spacer, Cover				
8	800-2086	8	Screw, Cap - Hex Head (M10 x 25mm)				

Generator



807D

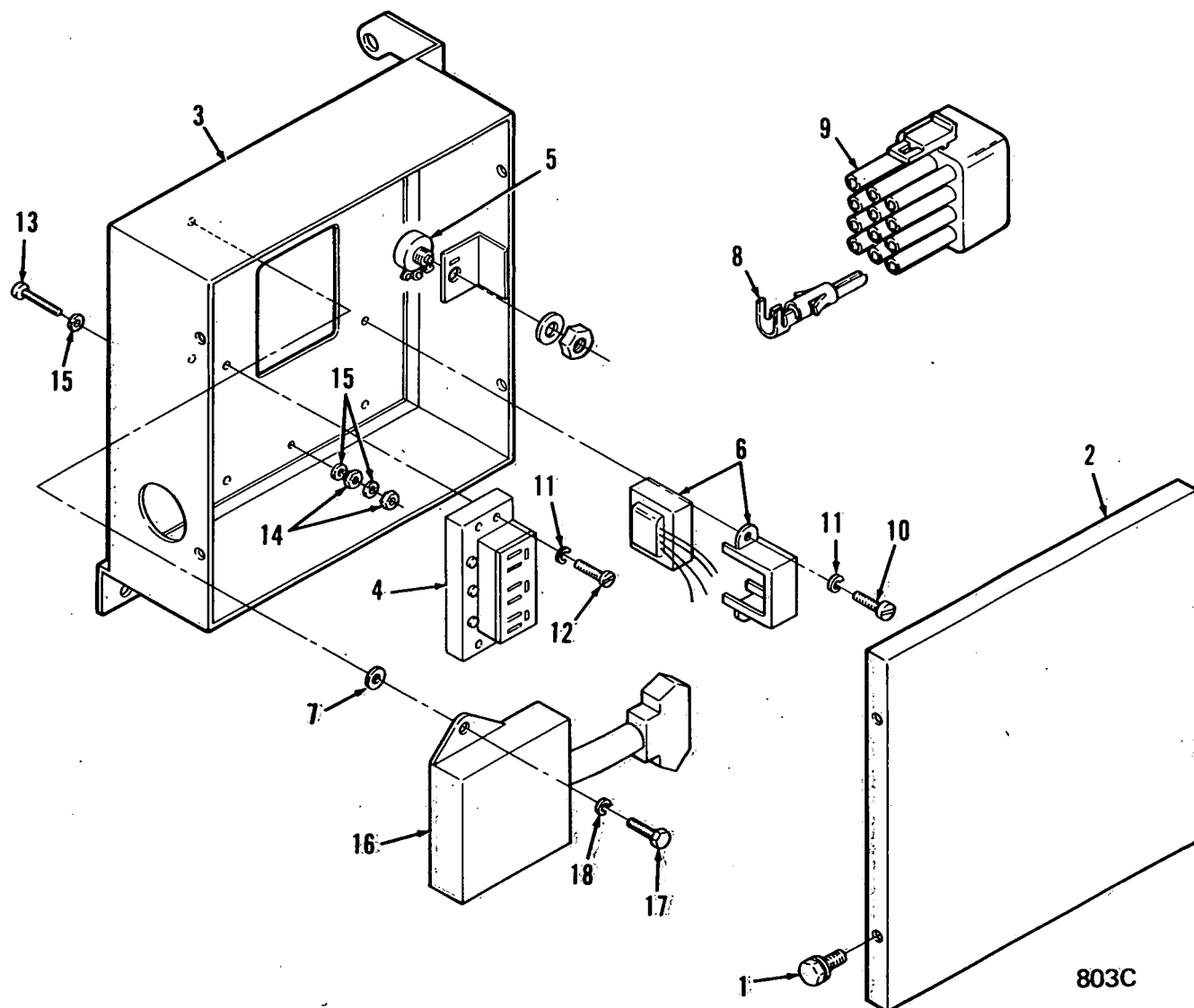
Generator

REF NO.	PART NO.	QTY USED	PART DESCRIPTION	REF NO.	PART NO.	QTY USED	PART DESCRIPTION
1	231-0298	1	Adapter, Generator	16	815-0655-05	4	Screw, Cap - Hex Washer Head - Thread Forming (M4 x 46mm)
2	201-3441-01	1	Rotor Assembly, Generator (Includes Parts Marked *)	17	220-4159-02	1	Stator, Exciter
3	205-0176	1	*Fan, Generator	18	211-0405-02	1	Bell, End
4	201-3405-02	1	*Rotor Assembly, Exciter (Includes Parts Marked #)	19	518-0519	1	Ring, Tolerance
5	815-0666-02	2	*#Screw, Pan Head - Thread Forming (#8-32 x 1")	20	520-2428-01	1	Stud (389mm)
6	870-0221	3	*#Nut, Hex - ET (#8-32)	21	870-0272	1	Nut, Socket - Internal Drive (3/8-16)
7	358-0129	1	*#Rectifier	22	508-0300	1	Grommet - Lead Exit
8	516-0090	3	*Pin, Roll	23	520-0973-01	4	Stud (265mm)
9	518-0012	1	*Ring, Retaining - External	24	850-0050	4	Washer, Lock - Spring (3/8")
10	510-0099	1	*Bearing, Ball	25	862-0011	4	Nut, Hex (3/8-16)
11	800-2034	6	*Screw, Cap - Hex Head (M6 x 20mm)	26	234-0831	1	Cover, End Bell
12	850-2006	6	*Washer, Lock - Spring (M6)	27	815-0655-01	4	Screw, Cap - Hex Washer Head - Thread Forming (M4 x 8mm)
13	232-3314-02	2	*Connector, Exciter Rotor	28			Control Assembly (See Separate Page for Components)
14	870-0221	2	*Nut, Hex - ET (#8-32)				
15			Stator, Generator				
	220-4235-01	1	Voltage Code AD				
	220-4271-03	1	Voltage Code AJ				

* - Parts Included in 201-3441-01 Generator Rotor Assembly.

- Parts Included in 201-3405-02 Exciter Rotor Assembly.

Control



REF NO.	PART NO.	QTY USED	PART DESCRIPTION	REF NO.	PART NO.	QTY USED	PART DESCRIPTION
1	821-2020	4	Screw, Self-Locking - Hex Washer Head (M5 x 10mm)	9	323-1314	1	Plug, Connector - 12 Place (J1)
2	319-0634	1	Cover, Control Box (Without Decals)	10	822-3073	2	Screw, Machine - Pan Head (M4 x 10mm) Three Phase Generator
	98-6026-01	1	Decal - Model Identification	11	850-2004	4	Washer, Lock - Spring (M4) Single Phase Generator
	98-6152	1	Decal - Schematic - Single Phase Generator		850-2004	6	Three Phase Generator
	98-6140	1	Decal - Schematic - Three Phase Generator	12	822-3076	4	Screw, Machine - Pan Head (M4 x 20mm)
3	319-0632	1	Box, Control	13	822-3090	1	Screw, Machine - Pan Head (M5 x 20mm) Grounding Stud
4	332-2145	1	Block, Terminal - 4 Place (TB1)	14	860-2006	2	Nut, Hex (M5)
5	303-0275	1	Potentiometer (R1)	15	853-2005	3	Washer, Lock - ET (M5)
6	315-0688	1	Transformer Assembly, Voltage (Includes Bracket) Three Phase Generator (T1)	16	305-0833	1	Regulator, Voltage (VR1)
7	526-2081	2	Washer, Flat (M6)	17	800-2034	2	Screw, Cap - Hex Head (M6 x 20mm)
8	323-1200	1	Socket, Contact (Use as required)	18	850-2006	2	Washer, Lock - Spring (M6)

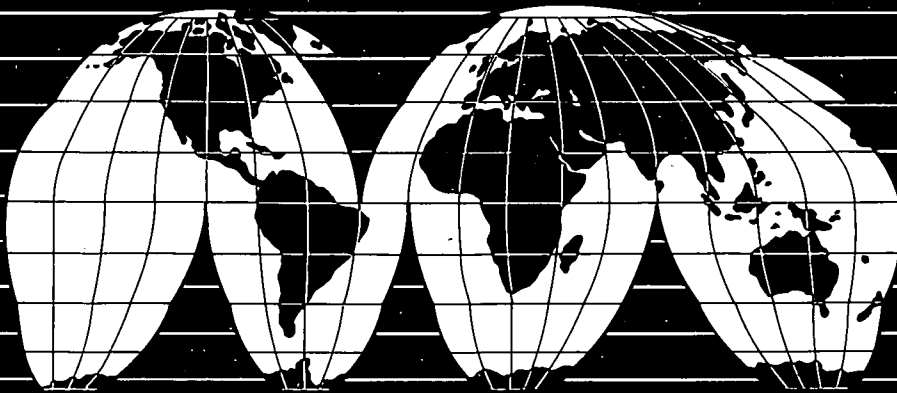
Numerical Index

Part No.	Page	Part No.	Page	Part No.	Page	Part No.	Page
98-6026-01	8	822-3073	8				
98-6140	8	822-3076	8				
98-6152	8	822-3090	8				
121-0082	3	850-0050	7				
201-3405-02	7	850-2004	8				
201-3441-01	7	850-2006	7				
205-0176	7	850-2010	5				
211-0405-02	7	850-2012	3				
220-4159-02	7	853-2005	8				
220-4235-01	7	860-2006	8				
220-4271-03	7	862-0011	7				
231-0298	7	870-0221	7				
231-0309-01	5	870-0272	7				
232-3314-02	7						
232-3347	5						
232-3417-01	5						
232-3418-01	5						
232-3419	5						
232-3459	5						
232-3460	5						
234-0831	7						
303-0275	8						
305-0833	8						
315-0688	8						
319-0632	8						
319-0634	8						
323-1200	8						
323-1314	8						
332-2145	8						
358-0129	7						
508-0300	7						
510-0099	7						
516-0090	7						
518-0012	7						
518-0519	7						
520-0973-01	7						
520-2428-01	7						
526-2081	8						
800-2034	7						
800-2086	5						
800-2087	5						
800-2112	3						
815-0655-01	7						
815-0655-05	7						
815-0666-02	7						
821-2020	8						
821-2031	5						
821-2037	5						



Onan Corporation
1400 73rd Avenue N.E.
Minneapolis, MN 55432

World Wide Parts and Service



Telephone: (612) 574-5000
Telex: 275477
Cable: ONAN
