

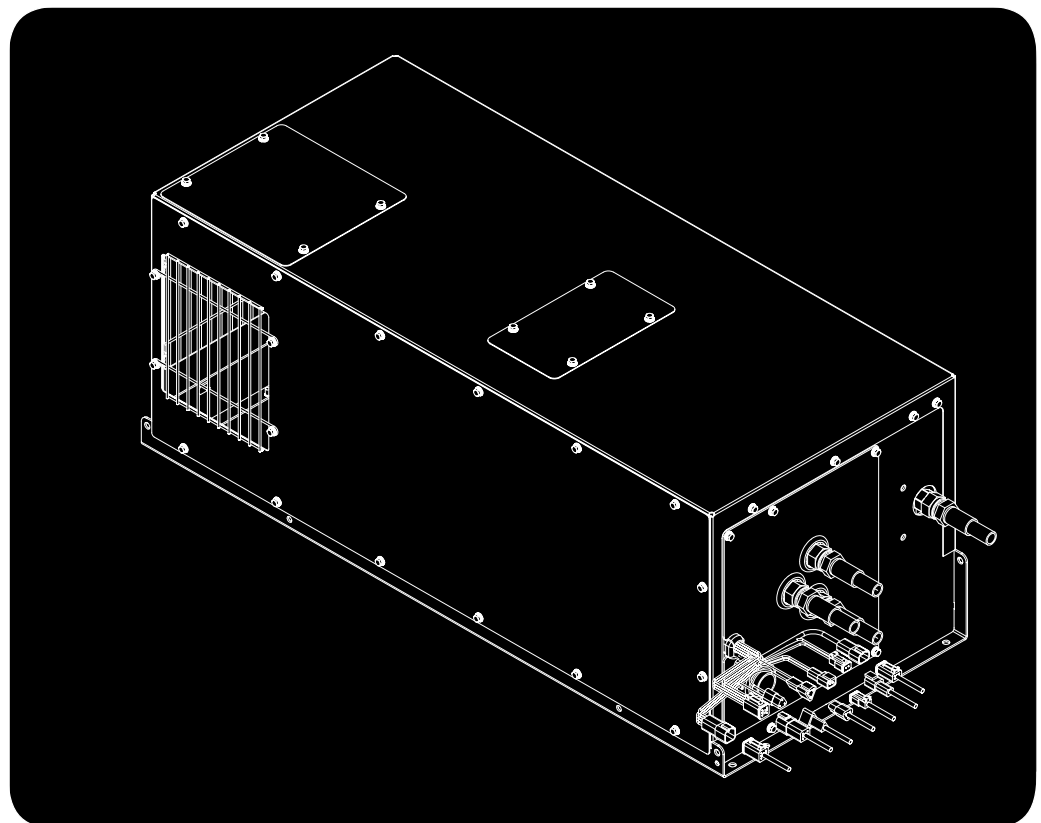
Onan

Commercial Mobile Power



Parts Catalog

Model RBAA 20 kW



Printed in U.S.A.

6/04

943-0203B

MODEL IDENTIFICATION

To avoid errors or delay in filling your parts order, always give the MODEL, SPEC NO. and SERIAL NO. from the Onan nameplate.

For handy reference, insert your nameplate information in the spaces below.

MODEL AND SPEC NO.

SERIAL NO.

DIGITAL CONTROL SOFTWARE VERSION
AND DATE (IF APPLICABLE)

SAFETY PRECAUTIONS

The following symbols are used in Onan manuals to alert users to the potentially dangerous conditions relating to maintenance of equipment and reeplacement of parts. Please read and observe.



This symbol warns of immediate hazards which will result in severe personal injury or death.



This symbol refers to a hazard or unsafe practice which can result in severe personal injury or death.



This symbol refers to a hazard or unsafe practice which can result in severe personal injury or product or property damage.

PRODUCT SAFETY PRECAUTIONS



Service and repair of Onan equipment must be performed by trained, experienced personnel only. Improper service or repair may result in property damage, severe personal injury or death. Do not use this catalog as a guide to servicing your equipment. Read and follow the IMPORTANT SAFETY INSTRUCTIONS in the Service Manual appropriate for the equipment you are working on.



Contact with USED ENGINE OILS has been identified by a United States federal agency and some USA state agencies as causing CANCER or REPRODUCTIVE TOXICITY. When checking or changing engine oils take all necessary precautions not to ingest, breathe the fumes or contact the used oil.



Contact with ASBESTOS has been identified by a United States federal agency and some USA state agencies as causing CANCER or REPRODUCTIVE TOXICITY. When handling engine gaskets take all necessary precautions not to ingest, breathe or contact the dust from the gaskets! Use adequate ventilation and wear protective gloves, masks and clothing!



Contact with BENZINE and LEAD, found in gasoline, fuel additives and solvents has been identified by a United States federal agency and some USA state agencies as causing CANCER or REPRODUCTIVE TOXICITY. When checking, draining or adding gasoline and fuel additives or using solvents take all necessary precautions not to ingest, breathe the fumes or contact the liquids. Use adequate ventilation and wear protective gloves, masks and protective clothing!

PSP04

Introduction

This parts catalog applies to the standard generator sets listed below. Parts are arranged in groups of related items and each illustrated part is defined by a reference number corresponding to the same reference number in the parts list. Parts illustrations are typical. Using the model and specification number from your generator set nameplate, select parts that apply to your set. Right and left sides are determined by facing the generator end (front) of the set.

Generator Set Data Table

Model Identification	Pump Shaft	Wiring Diagram	Voltage	Hertz	Phase
20RBAA 3576B	Keyed	625-4595	120/240	60	1

* - The specification number denotes customer requested options or deviations from a standard (1A, 1B, etc.) model. The specification letter advances (A, to B, to C, etc.) with major manufacturing changes.

Index

- Adapter, Generator, **4**
- Adapter, Hose, **10**
- Adapter, Hose (1 1/16-12 -1 1/16-12 3T Flange), **9**
- Adapter, Hose (7/8-14 x 1 1/16-12 97 Flange), **9**

- Baffle, Air, **7**
- Base, Drip Pan, **7**
- Bracket, Generator Support, **4**
- Bracket, Voltage Regulator, **5**
- Breather, Hydraulic, **11**

- Conduit, Liquid Tight, **5**
- Connection, Conduit, **5**
- Control, **5**
- Cover, Access, **6**
- Cover, Control, **5**
- Cover, Enclosure, **6**
- Cover, Hydraulic Heat Exchanger Access, **8**

- Edging, **5**
- Elbow, Hydraulic Pump Tube, **3**
- Elbow, Tube, **10**
- Element, Hydraulic Filter, **11**
- Enclosure, Assy, **6**
- Enclosure, Generator, **6**
- Endbell Assy, **4**
- Exchanger, Hydraulic Heat, **8**

- Fan, Sucker, **4**
- Filter Assy, Hydraulic, **11**
- Filter, Hydraulic, **11**
- Filter, Reservoir Hydraulic, **10**

- Gasket, Hydraulic, **11**
- Gauge, Level, **10**
- Gauge, Pressure, **10**
- Generator, **4**
- Grommet, **8**
- Grommet (1st), **5**
- Guard, Generator Fan, **6**

- Harness, AC, **14**
- Harness, AC Sensor Extension, **13**
- Harness, Control, **15**
- Harness, Meter, **13**
- Harness, Regulator (P11), **15**
- Harness, Sensor (J9 & P10), **13**

- Harness, Switch (J1), **13**
- Harness, Switch (P2), **13**
- Harness, Valve (Extension) (P2 & P3), **13**
- Harnesses, **12**
- Hub, Radiator Fan, **4**

- Insulation, Baffle, **8**
- Isolator, Vibration, **8**

- Jumper, Terminal, **5**

- Label, Barcode, **16**
- Label, Blank, **16**
- Label, Information, **16**
- Label, No Step, **16**
- Label, Single Phase Information, **16**
- Label, Unit ID, **16**
- Label, Warning, **16**
- Labels, **16**
- Line, Hydraulic, **8**

- Motor Assy, Hydraulic, **9**
- Motor, Hydraulic, **9**
- Mounting, Foot Generator (Left Hand), **4**
- Mounting, Foot Generator (Right Hand), **4**
- Multi-Meter, **16**

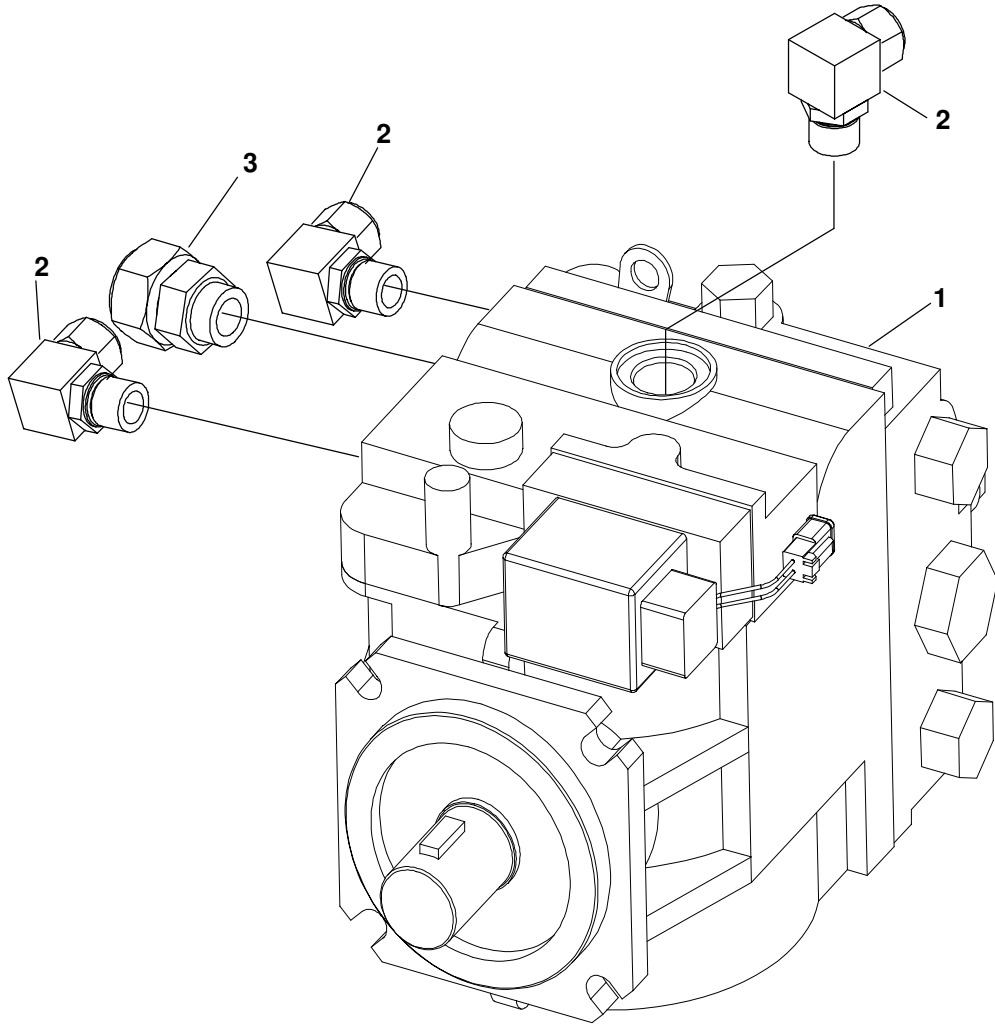
- Plug, Drain, **10**
- Pump Assy, Hydraulic, **3**
- Pump, Hydraulic, **3**

- Regulator, Voltage, **5**
- Reservoir Assy, Hydraulic, **10**
- Reservoir, Hydraulic, **10**
- Rotor Assy, **4**

- Scroll, Intake, **8**
- Seal, Enclosure, **7, 8**
- Stator Assy, **4**
- Strain, Relief, **5**
- Switch, Temperature, **8**

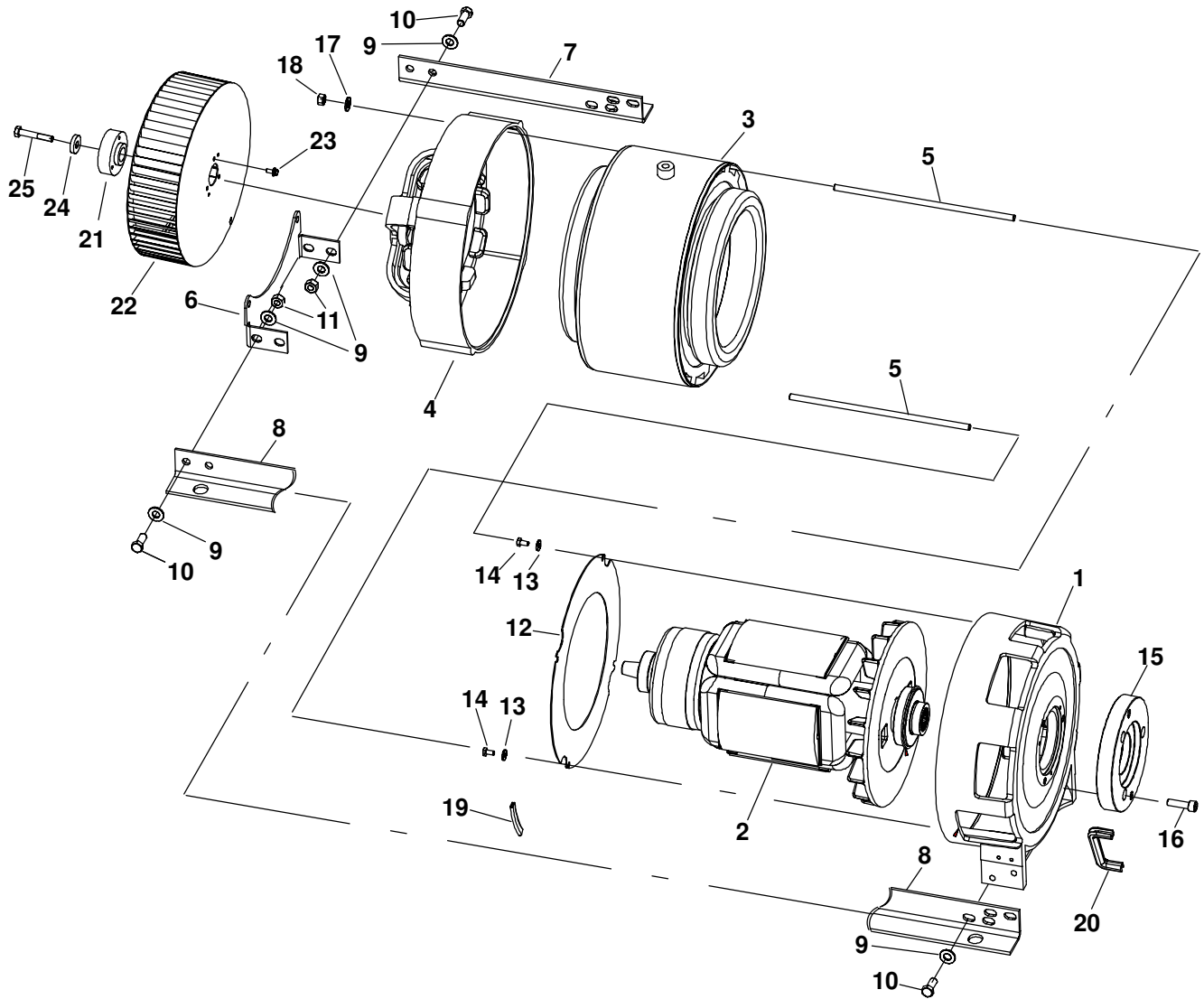
- Terminal, Block, **5**
- Terminal, Solderless, **5**
- Transformer, Voltage, **5**
- Transformer, Voltage (VT1), **14**

Hydraulic Pump



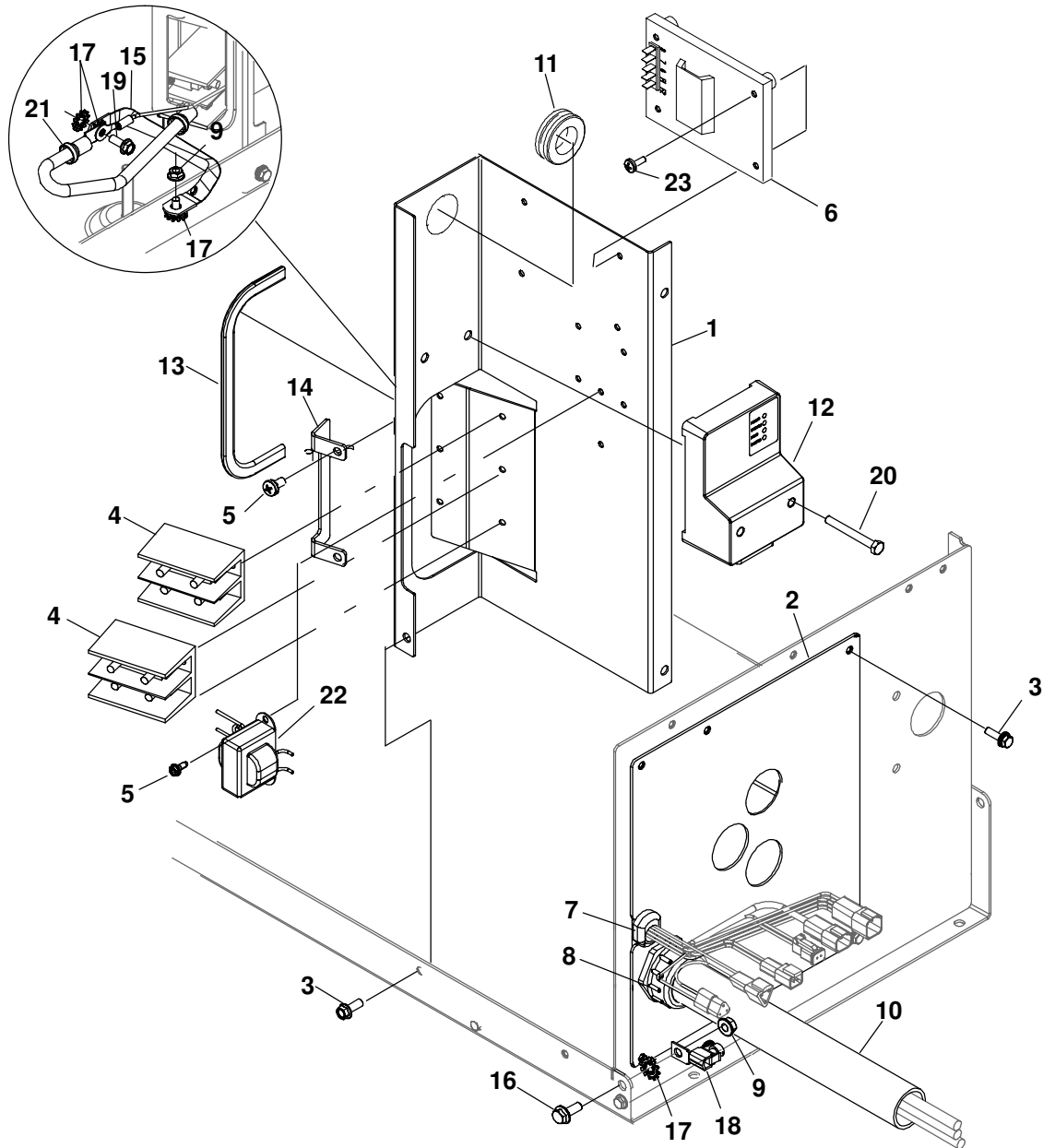
REF NO.	PART NO.	QTY USED	PART DESCRIPTION	REF NO.	PART NO.	QTY USED	PART DESCRIPTION
	121-0227	1	Pump Assy, Hydraulic	2	502-1470	3	Elbow, Tube
1	121-0213	1	Keyed Shaft	3	502-1473	1	Adapter, Hose (1 5/8-12 x 1 5/8-12 37 Flare)
			Pump, Hydraulic				

Generator



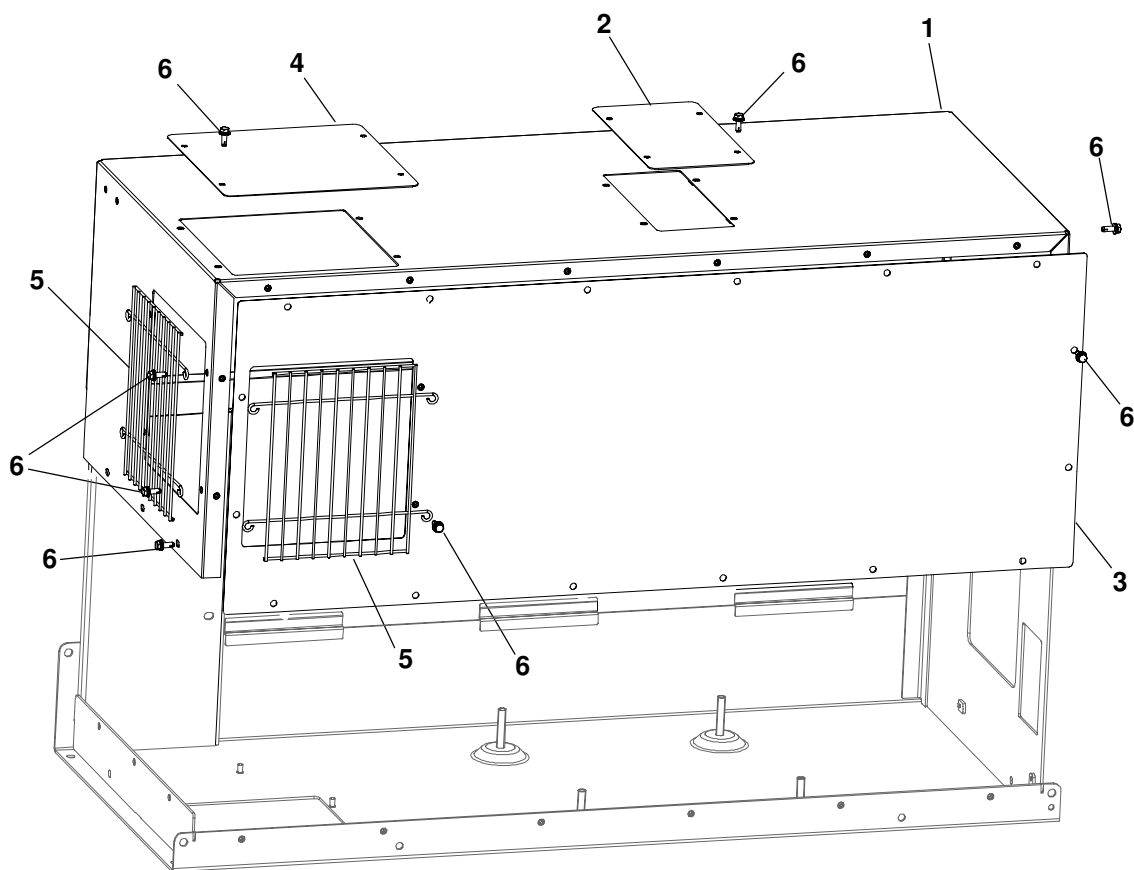
REF NO.	PART NO.	QTY USED	PART DESCRIPTION	REF NO.	PART NO.	QTY USED	PART DESCRIPTION
1	231-1022	1	Adapter, Generator	14	800-0310-02	4	Screw, Hex Head Cap (1/4-20 x .5 ⁹)
2	201-3610-03		Rotor Assy	15	231-1021	1	Adapter, Generator
3	220-4622-03	1	Stator Assy	16	725-1077	4	Screw, Socket Head Cap (M10 x 1.5 x 35mm)
4	211-0526	1	Endbell Assy	17	526-0399-42	4	Washer, Flat (3/8 ⁹)
5	520-0800	4	Stud, (3/6-16 UNC)	18	862-0026-07	4	Nut, Hex (3/8-16)
6	232-2452	1	Bracket, Generator Support	19	508-0210	1	Edging (80mm)
7	232-4127-02	1	Mounting, Foot Generator (Right Hand)	20	508-0239	1	Edging (145mm)
8	232-4128-02	1	Mounting, Foot Generator (Left Hand)	21	130-5930	1	Hub, Radiator Fan
9	526-0399-43	12	Washer, Flat (7/16)	22	130-5872	1	Fan, Sucker
10	800-0310-50	8	Screw, Hex Head Cap (7/16-14 x 1 ⁹)	23	815-0753	3	Screw, Locking Flange
11	862-0026-08	4	Nut, Hex (7/16-14)	24	526-0077	1	Washer, Flat
12	234-0969	1	Air, Baffle Generator	25	800-2093	1	Screw, Hex Head Cap (M10 x .5 x 60mm)
13	526-0399-13	4	Washer, Flat (1/4 ⁹)				

Voltage Regulator Bracket Begin Spec B



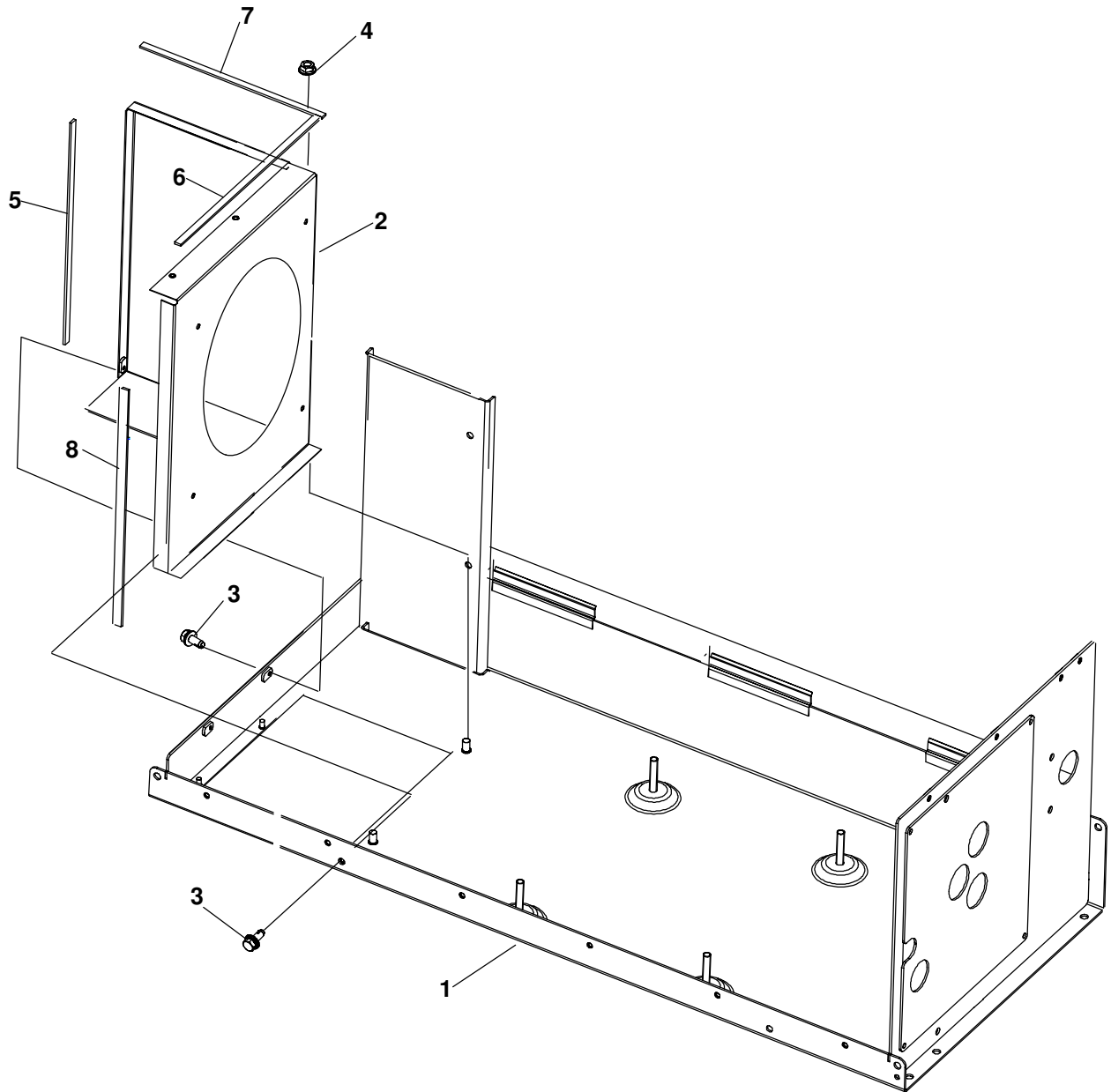
REF NO.	PART NO.	QTY USED	PART DESCRIPTION	REF NO.	PART NO.	QTY USED	PART DESCRIPTION
1	319-5388-02	1	Bracket, Voltage Regulator	13	508-0210	1	Edging (260mm)
2	319-5012	1	Cover, Control	14	332-3947	1	Jumper, Terminal
3	821-6006-01	7	Screw, Hex Head Sems Stainless Steel (M6 x 1 x 16mm)	15	337-2845	1	Strap, Bond
4	332-3910	2	Terminal, Block	16	821-2033	1	Screw, Locking Flange (M6 x 1 x 16mm)
5	815-0937	6	Screw, XREC Pan Head (#6-32 x .50 ⁹)	17	856-0006	4	Washer, ETIT Locking (1/4 ⁹)
6	305-0982	1	Regulator, Voltage	18	332-0142	1	Terminal, Solderless
7	323-2062	1	Strain, Relief	19	821-0018	1	Screw, Locking Head (1/4-20NC x .625 ⁹)
8	331-0582-04	1	Connection, Conduit	20	800-2042	2	Screw, Hex Head Cap (M6 x 1 x .60mm)
9	870-2054	2	Nut, Locking Flange (6 x 1mm)	21	226-4893-05	1	Lead, Ground
10	331-0581-01	1	Conduit, Liquid Tight	22	315-1602-04	1	Transformer, Voltage
11	508-0117	1	Grommet (1 ⁹)	23	815-0905-08	4	Screw, Cross Recessed Pan Head (10-32 x .875 ⁹)
12	300-5751	1	Control				

Generator Enclosure



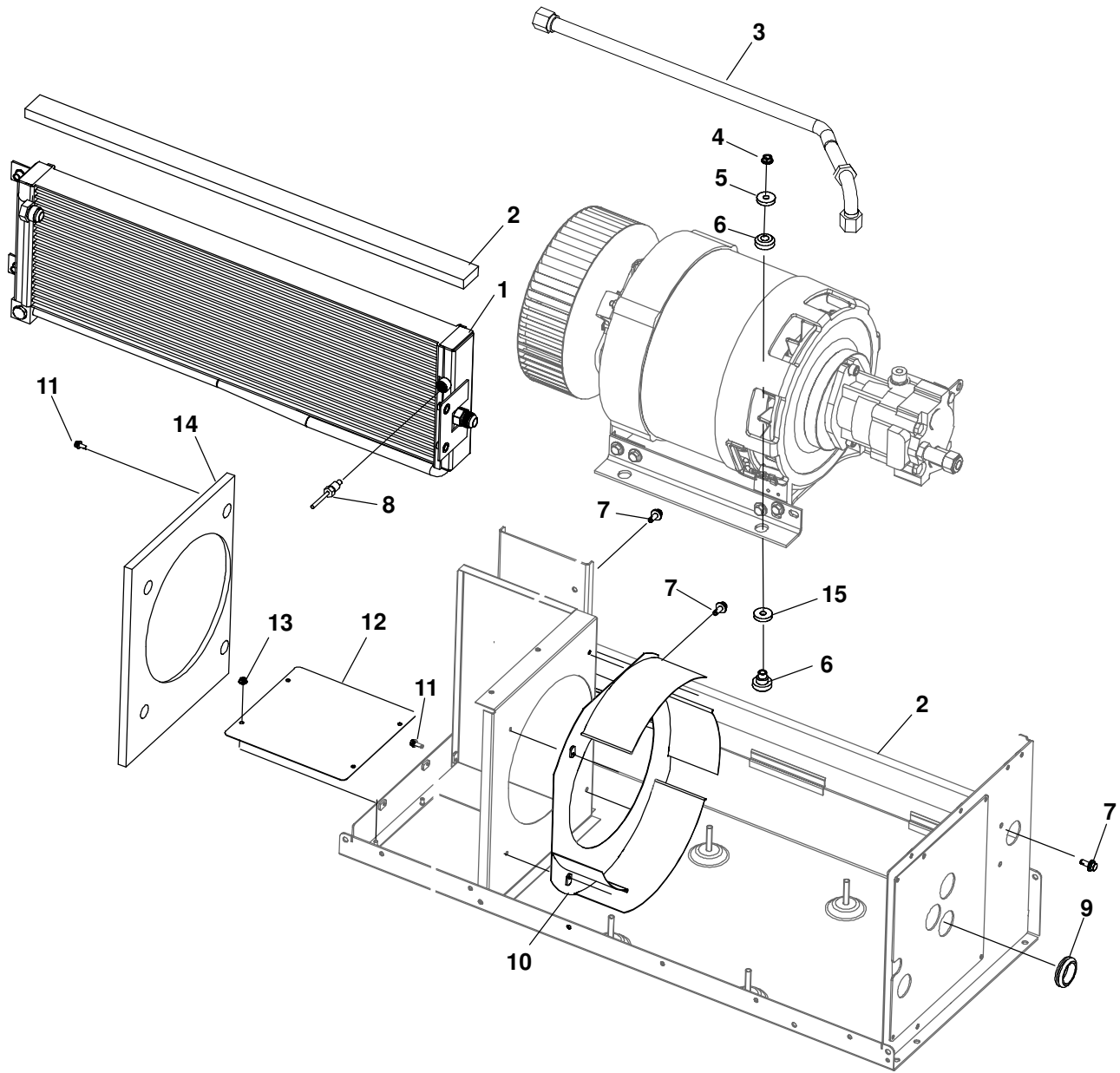
REF NO.	PART NO.	QTY USED	PART DESCRIPTION	REF NO.	PART NO.	QTY USED	PART DESCRIPTION
1	405-7642	1	Enclosure, Assy.	5	234-1018	2	Guard, Generator Fan
2	405-6967	1	Cover, Enclosure	6	821-6006-01	36	Screw, Hex Head Sems Stainless (M6 x 1.0 x16mm)
3	405-7643	1	Cover, Enclosure				
4	405-7372	1	Cover, Access				

Drip Pan Base



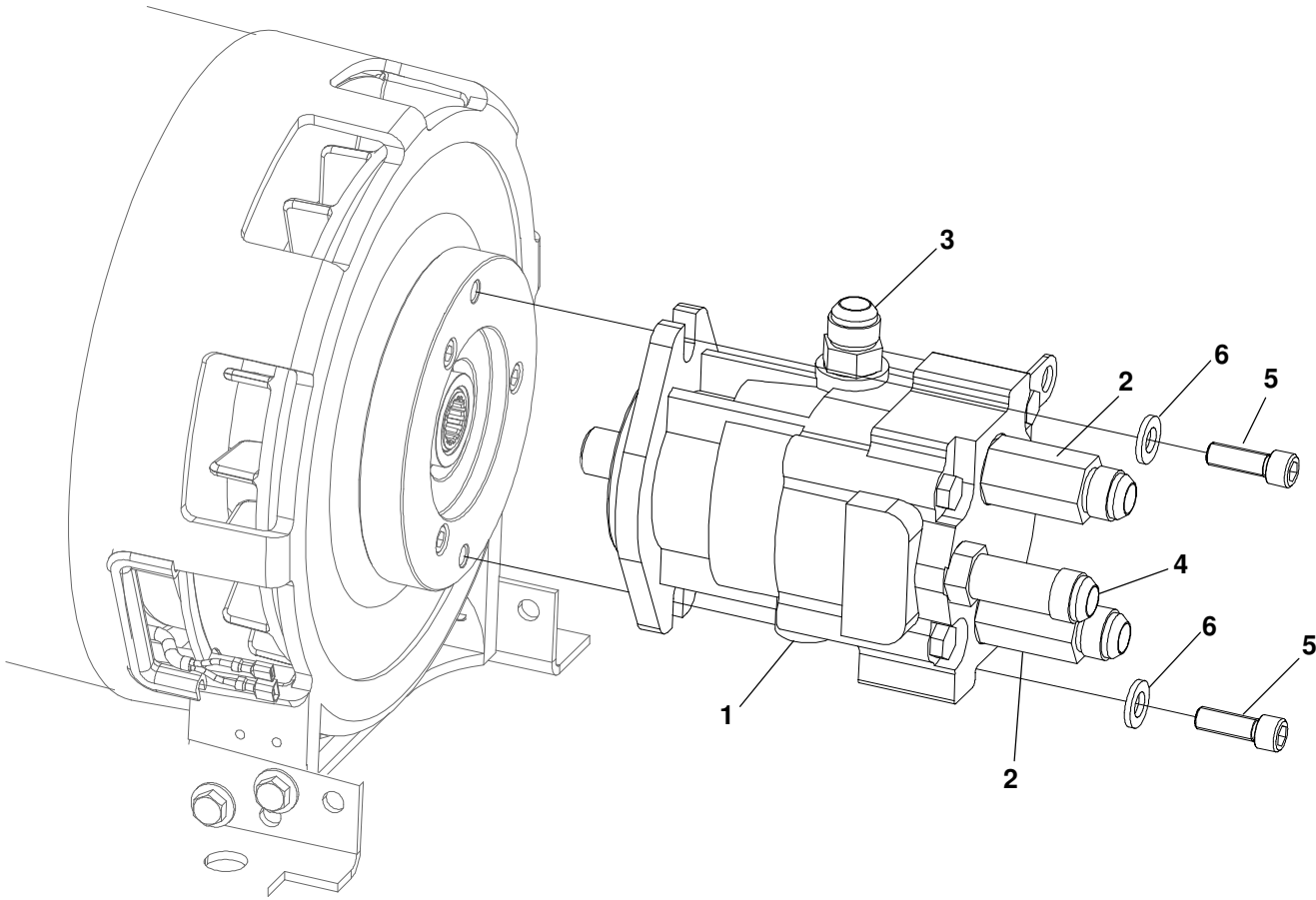
REF NO.	PART NO.	QTY USED	PART DESCRIPTION	REF NO.	PART NO.	QTY USED	PART DESCRIPTION
1	403-5121	1	Base, Drip Pan	4	870-2054	1	Nut, Lock Flange (M6 x 1mm)
2	405-7640	1	Baffle, Air	5	405-7649	1	Seal, Enclosure
3	821-6006-01	2	Screw, Hex Head Sems Stainless Steel (M6 x 1.0 x 16mm)	6	405-7648	1	Seal, Enclosure
				7	405-7391	1	Seal, Enclosure
				8	405-7647	1	Seal, Enclosure

Hydraulic Heat Exchanger



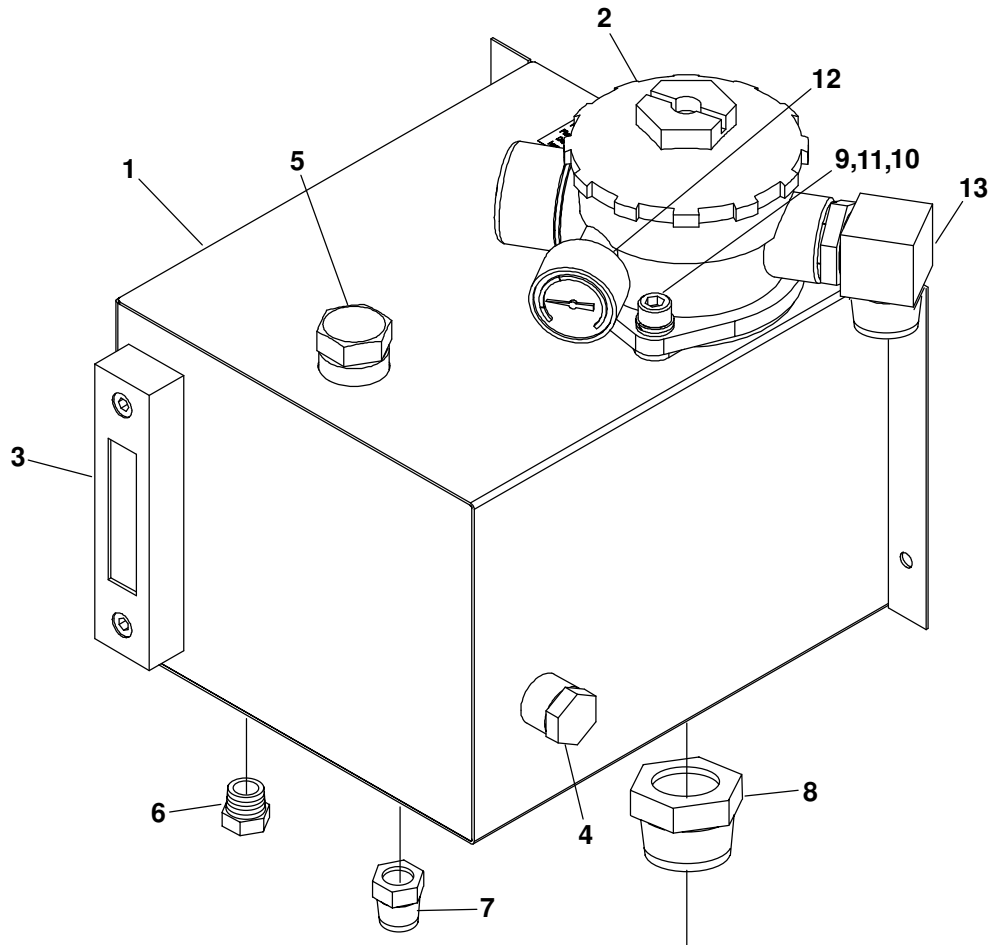
REF NO.	PART NO.	QTY USED	PART DESCRIPTION	REF NO.	PART NO.	QTY USED	PART DESCRIPTION
1	121-0228	1	Exchanger, Hydraulic Heat	8	309-0697	1	Switch, Temperature
2	405-7392	3	Seal, Enclosure	9	508-0183	3	Grommet
3	503-2439	1	Line, Hydraulic	10	134-5308-02	1	Scroll, Intake
4	870-0281	4	Nut, Hex Head Whiz locking (3/8-16 ^ø)	11	821-6006-01	6	Screw, Hex Head Sems Stainless (M6 x 1 x 16mm)
5	526-0077	4	Washer, Flat (3/8 ^ø)	12	405-7372	1	Cover, Access
6	402-0771	4	Isolator, Vibration	13	870-2054	5	Nut, Locking Flange (M6)
7	821-6007-02	4	Screw, Hex Head Cap Sems Stainless(M8 x 1.25 x 20mm)	14	405-7644	1	Insulation, Baffle
				15	526-0027	4	Washer, Flat (3/4 ^ø)

Hydraulic Motor



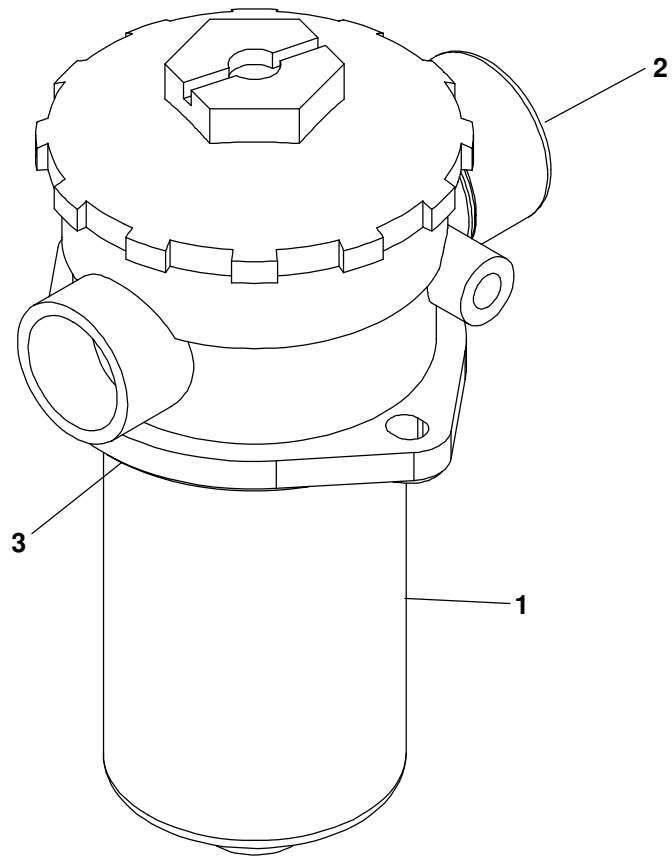
REF NO.	PART NO.	QTY USED	PART DESCRIPTION
	121-0222	1	Motor Assy, Hydraulic
1	121-0214	1	Motor, Hydraulic
2	502-1474	2	Adapter, Hose (1 1/16-12 -1 1/16-12 37 Flare)
3	502-1482	1	Adapter, Hose (1 1/16-12 -7/8-14 37 Flare)
4	502-1476	1	Adapter, Hose (7/8-14 x 1 1/16-12 37 Flare)
5	725-1102	2	Screw, Socket Head Cap (M12 x 1.75 x 35mm)
6	526-0219	2	Washer, Flat (1/2 ^o)

Hydraulic Reservoir



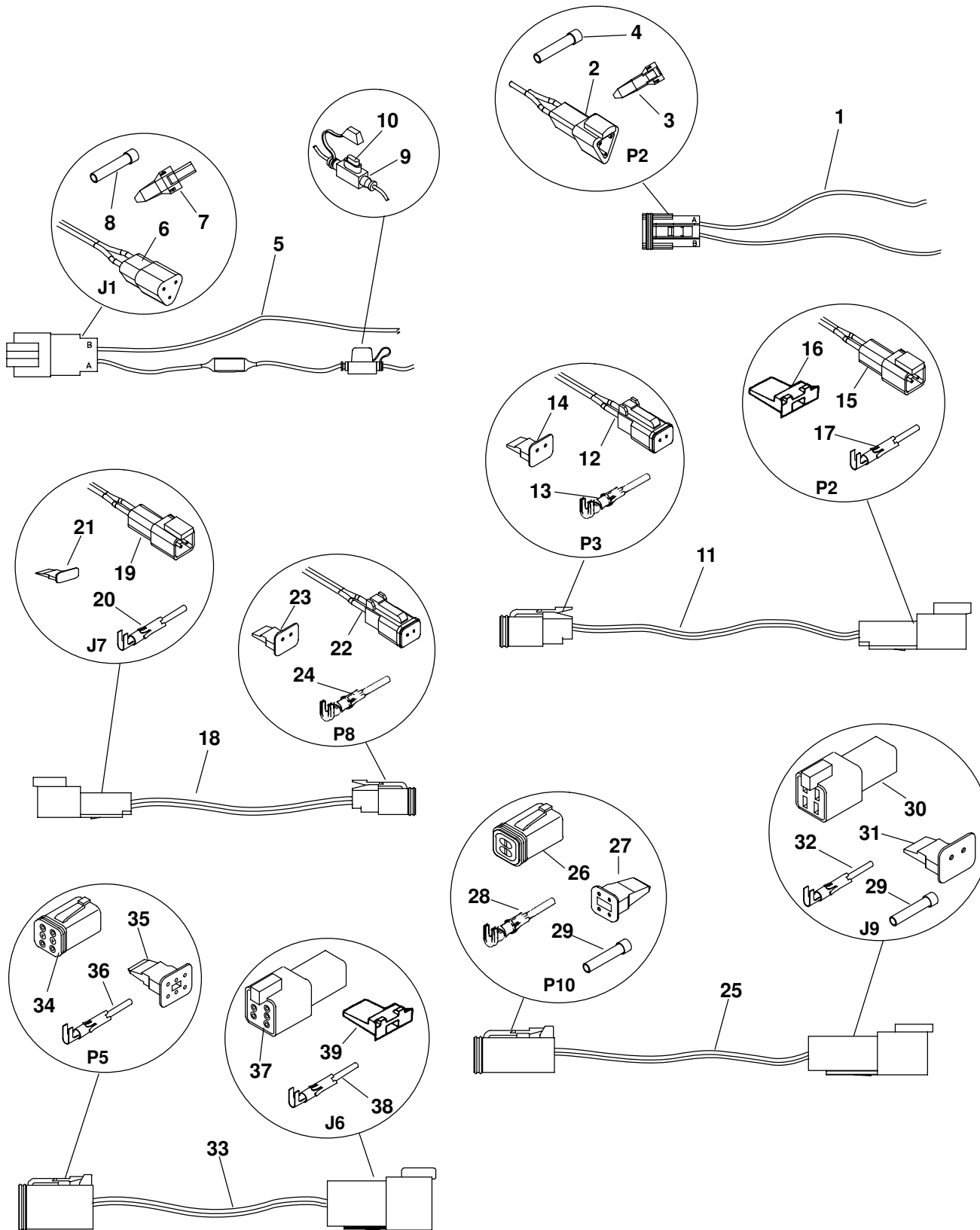
REF NO.	PART NO.	QTY USED	PART DESCRIPTION	REF NO.	PART NO.	QTY USED	PART DESCRIPTION
	121-0197		Reservoir Assy, Hydraulic	8	502-1391	1	Adapter, Hose (1 5/8-12 x1 5/8-12 37 Flare)
1	121-0203	1	Reservoir, Hydraulic	9	526-2121	2	Washer, Flat M10)
2	121-0204	1	Filter, Hydraulic (See Next Page For Details)	10	850-2060	2	Washer, Locking Split (M10)
3	193-0497	1	Gauge, Level	11	725-1076	2	Screw, Socket Head Cap (M10 x 1.5 x 30mm)
4	505-1379	1	Plug, Pipe	12	193-0502	1	Gauge, Pressure
5	517-0359	1	Plug, Cap (1 1/16-12UNF)	13	502-1453	1	Elbow, Tube
6	517-0360	1	Plug, Drain (9/16-18UNF O'Ring Magnetic)				
7	502-1446	1	Adapter, Hose (3/4-16 x 3/4-16 37 Flare)				

Hydraulic Filter



REF NO.	PART NO.	QTY USED	PART DESCRIPTION
	121-0204	1	Filter Assy, Hydraulic
1	121-0207	1	Element
2	121-0208	1	Breather
3	121-0209	1	Gasket

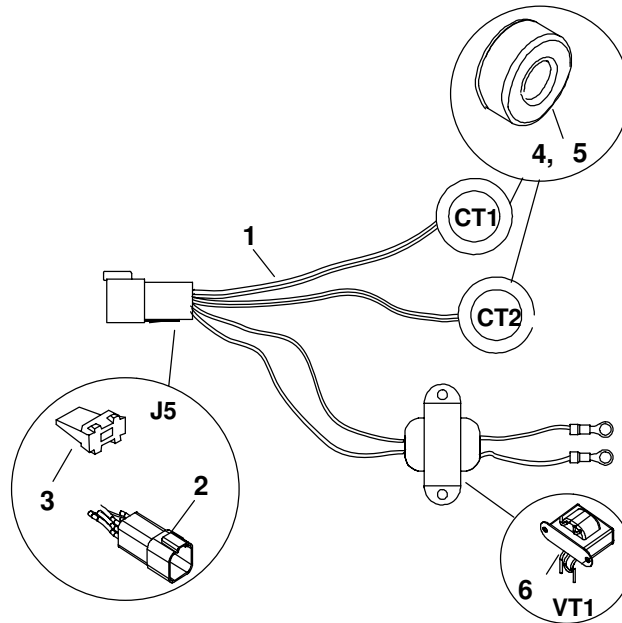
Harnesses



Harnesses

REF NO.	PART NO.	QTY USED	PART DESCRIPTION	REF NO.	PART NO.	QTY USED	PART DESCRIPTION
1	338-4084	1	Harness, Switch (P2) (Includes Parts Marked @)	24	323-1492	2	~Terminal, Socket
2	323-1493	1	@Connector, Receptacle (3 Pin)	25	338-4088	1	Harness, Sensor (J9 & P10) (Temperature Extension) (Includes Parts Marked^)
3	323-1503	1	@Wedge, Receptacle (3 Pin)				
4	323-1591	1	@Plug, Seal	26	323-1546	1	^Connector, Plug (4 Pin)
5	338-4085		Harness, Switch (J1) (Includes Parts Marked #)	27	323-1548	1	^Wedge, Plug
6	323-1494	1	#Connector, Receptacle (3 Pin)	28	323-1492	3	^Terminal, Socket
7	323-1502	1	#Wedge, Receptacle (3 Pin)	29	323-1591	2	^Plug, Seal
8	323-1591	1	#Plug, Seal	30	323-1549	1	^Connector, Receptacle (4 Pin)
9	321-0349	1	#Holder, Fuse (Blade)	31	323-1547	1	^Wedge, Receptacle
10	321-0321-08	1	#Fuse (Blade) 20 Amp	32	323-1491	1	^Terminal, Pin
11	338-4086	1	Harness, Valve (Extension) (P2 & P3) (Includes Parts Marked +)	33	338-4089	1	Harness, AC Sensor Extension (P5 & J6) (Includes Parts Marked *)
12	323-1504	1	+Connector, Plug (2 Pin)	34	323-1623	1	*Connector, Plug (6 Pin)
13	323-1492	1	+Terminal, Socket	35	323-1624	1	*Wedge, Plug
14	323-1500	1	+Wedge, Plug	36	323-1492	6	*Terminal, Socket
15	323-1505	1	+Connector, Receptacle (2 Pin)	37	323-1625	1	*Connector, Receptacle (6 Pin)
16	323-1501	1	+Wedge, Receptacle (2 Pin)	38	323-1626	1	*Wedge, Receptacle
17	323-1491	2	+Terminal, Pin	39	323-1491	6	*Terminal, Pin
18	338-4087	1	Harness, Meter (Power Extension) (J7 & P8) (Includes Parts Marked ~)				
19	323-1505	1	~Connector, Receptacle (2 Pin)				@- Parts Included in Harness, Switch (P2)
20	323-1491	2	~Terminal, Pin				# - Parts Included in Harness, Switch (J1)
21	323-1501	1	~Wedge, Receptacle				+ - Parts Included in Harness, Valve (P2 & P3)
22	323-1504	1	~Connector, Plug (2 Pin)				~ - Parts Included in Harness, Meter (J7 & P8)
23	323-1500	1	~Wedge, Connector				^ - Parts Included in Harness, Sensor (P9 & P10)
							* - Parts Included in Harness, AC Sensor (P5 & P6)

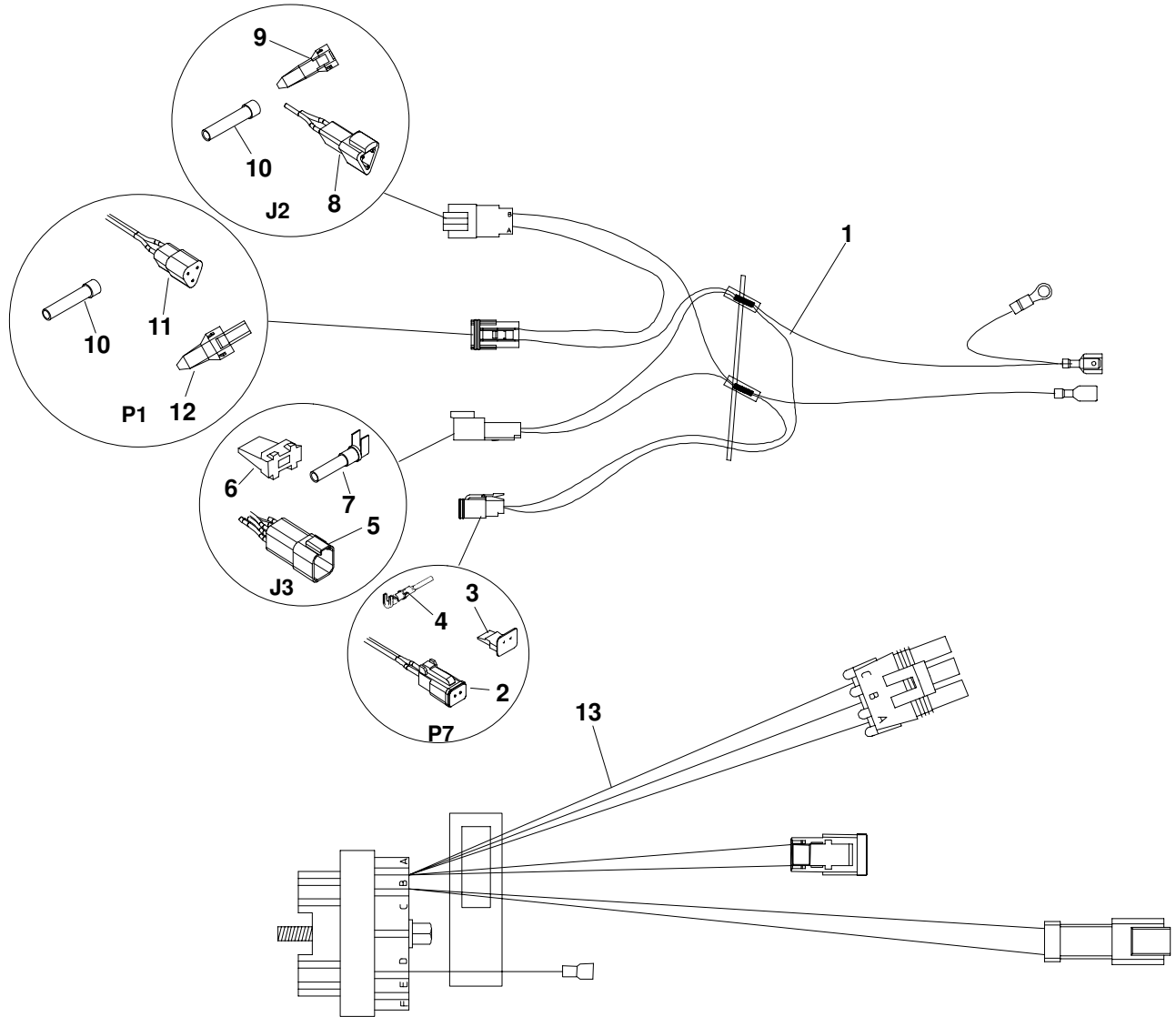
Harnesses



REF NO.	PART NO.	QTY USED	PART DESCRIPTION	REF NO.	PART NO.	QTY USED	PART DESCRIPTION
1	338-4362	1	Harness, AC (Single Phase Sensor Includes Parts Marked #)	5	315-1601-05	1	#Current, Transformer (CT2)
2	323-1625	1	#Connector, Receptacle (J5, 6 Pl)	6	315-1602-04	1	#Transformer, Voltage (VT1)
3	323-1626	1	#Wedge, Plug (6 Pl)				
4	315-1601-04	1	#Current, Transformer (CT1)				

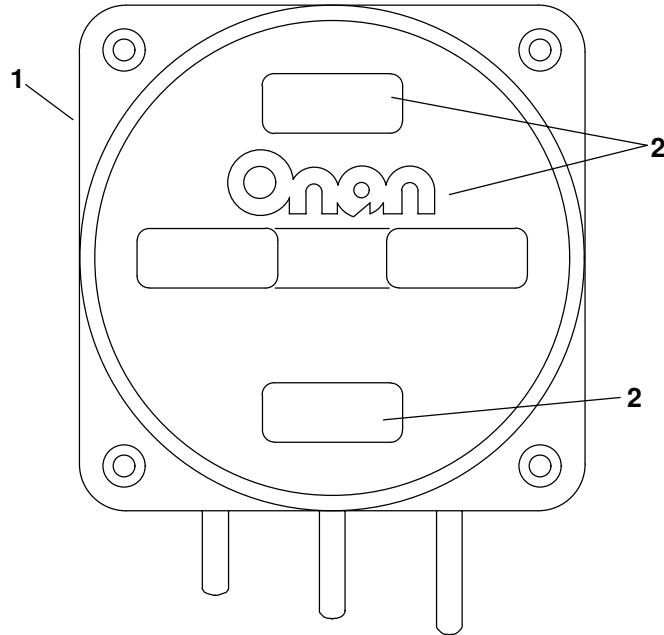
+ - Parts Included in Harness, Transformer
 # - Parts Included in Harness, AC (Single Phase)

Harnesses



REF NO.	PART NO.	QTY USED	PART DESCRIPTION	REF NO.	PART NO.	QTY USED	PART DESCRIPTION
1	338-4255		Harness, DC (Includes Parts Marked *)	8	323-1494	1	*Connector, Receptacle (J2)
2	323-1504	1	*Socket, Receptacle (P7)	9	323-1502	1	*Wedge, Receptacle (J2)
3	323-1500	1	*Wedge, Plug (P7)	10	323-1591	1	*Plug, Seal
4	323-1491	2	*Terminal, Pin (P7)	11	323-1493	1	*Connector, Plug (P1)
5	323-1505	1	*Connector, Receptacle (J3)	12	323-1503	1	*Wedge, Plug (P1)
6	323-1501	1	*Wedge, Plug (J3)	13	338-4331	1	Harness, Control
7	323-1492	4	*Terminal, Socket (J3)				

Multi-Meter Single Phase



REF NO.	PART NO.	QTY USED	PART DESCRIPTION
1	302-2078	1	Meter, Multi 20kW
2	98-7922	1	Label, Information

Labels

REF NO.	PART NO.	QTY USED	PART DESCRIPTION
1	98-4732	1	Label, Warning
2	98-5926	1	Label, Barcode
3	98-7906	1	Label, Unit ID
4	98-7922	1	Label, Information
5	98-7923-05	1	Label, Information (CMHG 20000)
6	98-7939-02	1	Label, Blank
7	98-7973	1	Label, Information
8	98-8067	2	Label, No Step

Numerical Index

<u>Part No.</u>	<u>Page</u>	<u>Part No.</u>	<u>Page</u>	<u>Part No.</u>	<u>Page</u>	<u>Part No.</u>	<u>Page</u>
098-4732,	16	309-0697,	8	338-4088,	13	526-0399-13,	4
098-5926,	16	315-1601-04,	14	338-4089,	13	526-0399-42,	4
098-7906,	16	315-1601-05,	14	338-4255,	15	526-0399-43,	4
098-7922,	16	315-1602-04,	5, 14	338-4331,	15	526-2121,	10
098-7923-05,	16	319-5012,	5	338-4362,	14	725-1076,	10
098-7939-02,	16	319-5388-02,	5	402-0771,	8	725-1077,	4
098-7973,	16	321-0321-08,	13	403-5121,	7	725-1102,	9
098-8067,	16	321-0349,	13	405-6967,	6	800-0310-02,	4
121-0197,	10	323-1491,	13, 15	405-7372,	6, 8	800-0310-50,	4
121-0203,	10	323-1492,	13, 15	405-7391,	7	800-2042,	5
121-0204,	10, 11	323-1493,	13, 15	405-7392,	8	800-2093,	4
121-0207,	11	323-1494,	13, 15	405-7640,	7	815-0753,	4
121-0208,	11	323-1500,	13, 15	405-7642,	6	815-0905-08,	5
121-0209,	11	323-1501,	13, 15	405-7643,	6	815-0937,	5
121-0213,	3	323-1502,	13, 15	405-7644,	8	821-0018,	5
121-0214,	9	323-1503,	13, 15	405-7647,	7	821-2033,	5
121-0222,	9	323-1504,	13, 15	405-7648,	7	821-6006-01,	5, 6, 7, 8
121-0227,	3	323-1505,	13, 15	405-7649,	7	821-6007-02,	8
121-0228,	8	323-1546,	13	502-1391,	10	850-2060,	10
130-5872,	4	323-1547,	13	502-1446,	10	856-0006,	5
130-5930,	4	323-1548,	13	502-1453,	10	862-0026-07,	4
134-5308-02,	8	323-1549,	13	502-1470,	3	862-0026-08,	4
193-0497,	10	323-1591,	13, 15	502-1473,	3	870-0281,	8
193-0502,	10	323-1623,	13	502-1474,	9	870-2054,	5, 7, 8
201-3610-03,	4	323-1624,	13	502-1476,	9		
211-0526,	4	323-1625,	13, 14	502-1482,	9		
220-4622-03,	4	323-1626,	13, 14	503-2439,	8		
226-4893-05,	5	323-2062,	5	505-1379,	10		
231-1021,	4	331-0581-01,	5	508-0117,	5		
231-1022,	4	331-0582-04,	5	508-0183,	8		
232-2452,	4	332-0142,	5	508-0210,	4, 5		
232-4127-02,	4	332-3910,	5	508-0239,	4		
232-4128-02,	4	332-3947,	5	517-0359,	10		
234-0969,	4	337-2845,	5	517-0360,	10		
234-1018,	6	338-4084,	13	520-0800,	4		
300-5751,	5	338-4085,	13	526-0027,	8		
302-2078,	16	338-4086,	13	526-0077,	4, 8		
305-0982,	5	338-4087,	13	526-0219,	9		

Onan

Cummins Power Generation
1400 73rd Avenue N.E.
Minneapolis, MN 55432
1-800-888-626
763-574-5000 International Use
Fax: 763-528-7229



Cummins and Onan are registered trademarks of Cummins Inc.

**Power
Generation**

Redistribution or publication of this document
by any means, is strictly prohibited.