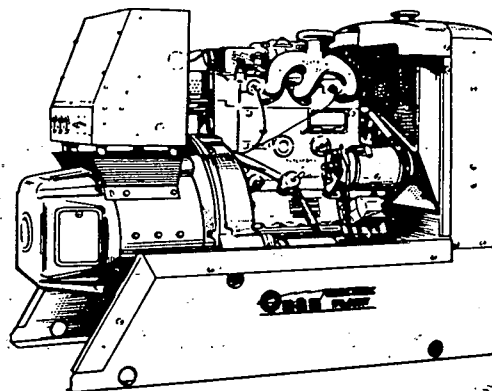


PARTS CATALOG

FOR
ONAN ELECTRIC GENERATING PLANTS

DZB SERIES



FILE MASTER
DO NOT REMOVE

NOTE!!

The ONAN Manual and/or Parts Catalog only has been supplied. This model series has been out of production for a number of years. Due to reasons beyond our control we no longer stock or supply the engine manufacturers Manual or Parts Catalog. However we believe they are available direct from the engine manufacturer providing you furnish the **SERIAL NUMBER** and **SPEC** from the engine manufacturers nameplate on the engine. Refer to Parts Catalog and order from manufacturer as indicated under "Instructions for Ordering Repair Parts".



DIVISION OF STUDEBAKER CORPORATION
MINNEAPOLIS 14, MINNESOTA

PARTS CATALOG

DZB SERIES

This parts catalog applies to the standard ONAN DZB Series electric generating plants. Prior to Spec D Models are powered by a Hercules Series DD-149 Engine, and beginning Spec D are powered by a Hercules Series D-1500, which is more completely described in the Hercules manual. Basically, the engine is a 3 cylinder, water cooled, diesel (compression ignition) type. The cylinder bore is 3-3/4 inches, piston stroke is 4-1/2 inches and displacement is 149 cubic inches.

Hercules Engine parts must be selected from the appropriate Hercules parts list and parts must be secured from the Hercules Motor Corporation.

Engine parts that are modified or added by ONAN will be found in this ONAN list. They all have Onan part numbers and must be used in place of a like part that may be listed by Hercules in their list.

"Right" and "Left" sides of the Generator, Controls and Housing are determined by FACING the Radiator (Front) End.

ONAN parts are illustrated in groups and have reference numbers which correspond to the like numbers in the list for that group. Parts illustrations are typical and should not be construed to represent a particular part number.

Compare your ONAN plant nameplate MODEL and SPEC. with the Plant Data Table. Select the Parts Key No. (1, 2 etc. in the last column) that applies to your plant Model and Spec No. This Parts Key No. appears in the description of parts that differ between basic models.

UNLESS OTHERWISE MENTIONED IN THE PARTS DESCRIPTION, PARTS ARE INTERCHANGEABLE BETWEEN THE VARIOUS PARTS KEYS.

Plant Data Table

| MODEL & SPEC NO. † | | ELECTRICAL DATA | | | | | PARTS KEY NO. |
|--------------------|------------|-----------------|---------|---------|-------|------|------------------|
| HOUSED | UNHOUSED | WATTS | VOLTS | CYCLES★ | PHASE | WIRE | |
| 10DZB-3R/ | 10DZB-3R8/ | 10,000 | 120/240 | 60 | 1 | 3 | 1 |
| 10DZB-4R/ | 10DZB-4R8/ | 10,000 | 120/208 | 60 | 3 | 4 | 2 |
| 10DZB-5R/ | 10DZB-5R8/ | 10,000 | 240 | 60 | 3 | 3 | 3 |
| 15DZB-3R/ | 15DZB-3R8/ | 15,000 | 120/240 | 60 | 1 | 3 | 4 |
| 15DZB-4R/ | 15DZB-4R8/ | 15,000 | 120/208 | 60 | 3 | 4 | 5 |
| 15DZB-5R/ | 15DZB-5R8/ | 15,000 | 240 | 60 | 3 | 3 | 6 |

† - The NUMBER after the diagonal line (/) signifies standard or optional features. (1 is standard). The LETTER ending the model and spec. no. is the Spec Letter and will advance with manufacturing changes, (A to B, B to C. etc.)

★ - Applies to the AC OUTPUT CONTROL and GENERATOR Groups Only. This list covers 60 Cycle Plants only. For 50 Cycle Plants, (Check ONAN Nameplate) use only as a guide except where 50 Cycle is specified. Order parts for 50 Cycle Plants by description and be sure to give complete Onan Nameplate information.

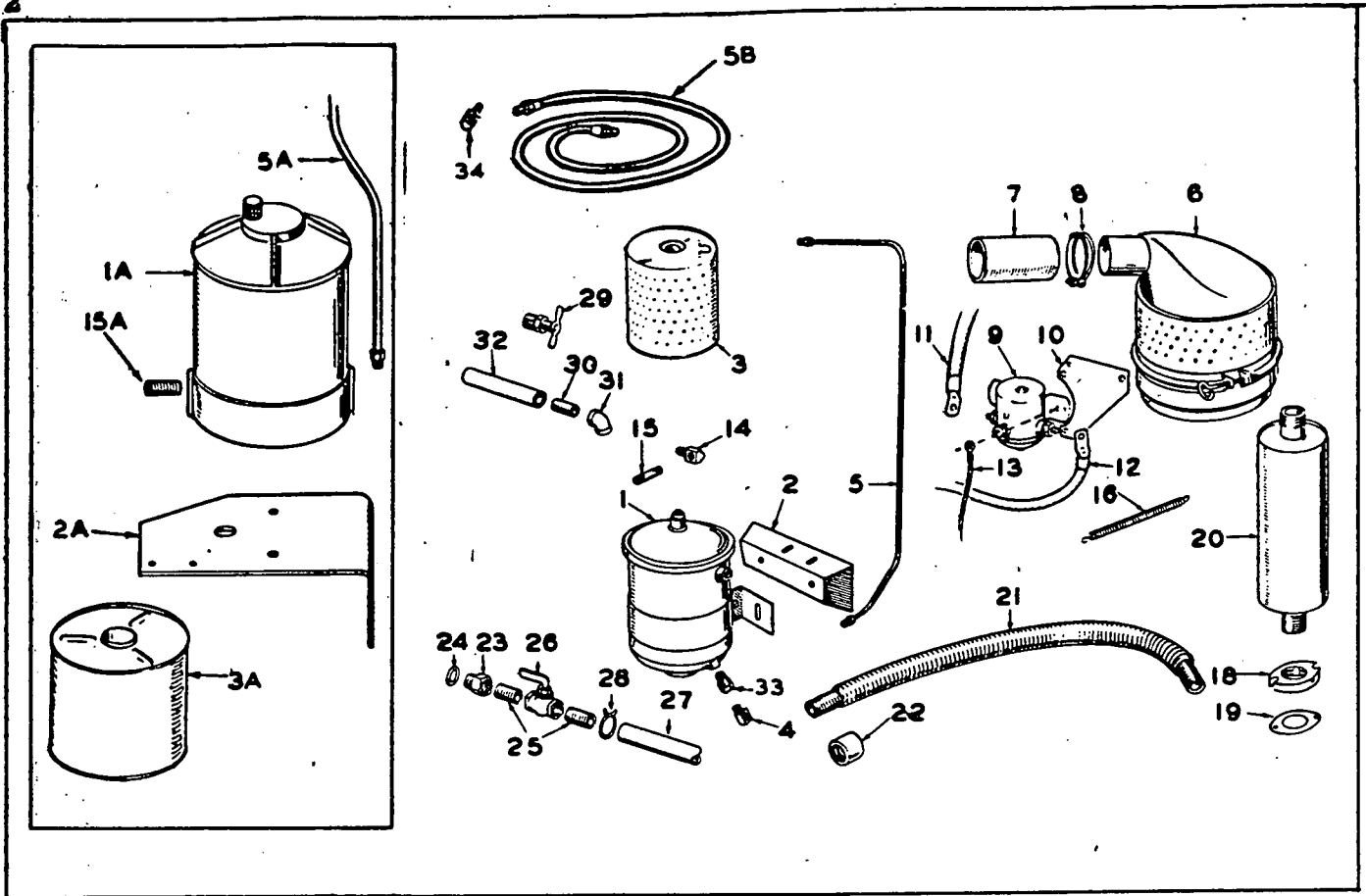


FIG.1 - FUEL SYSTEM GROUP

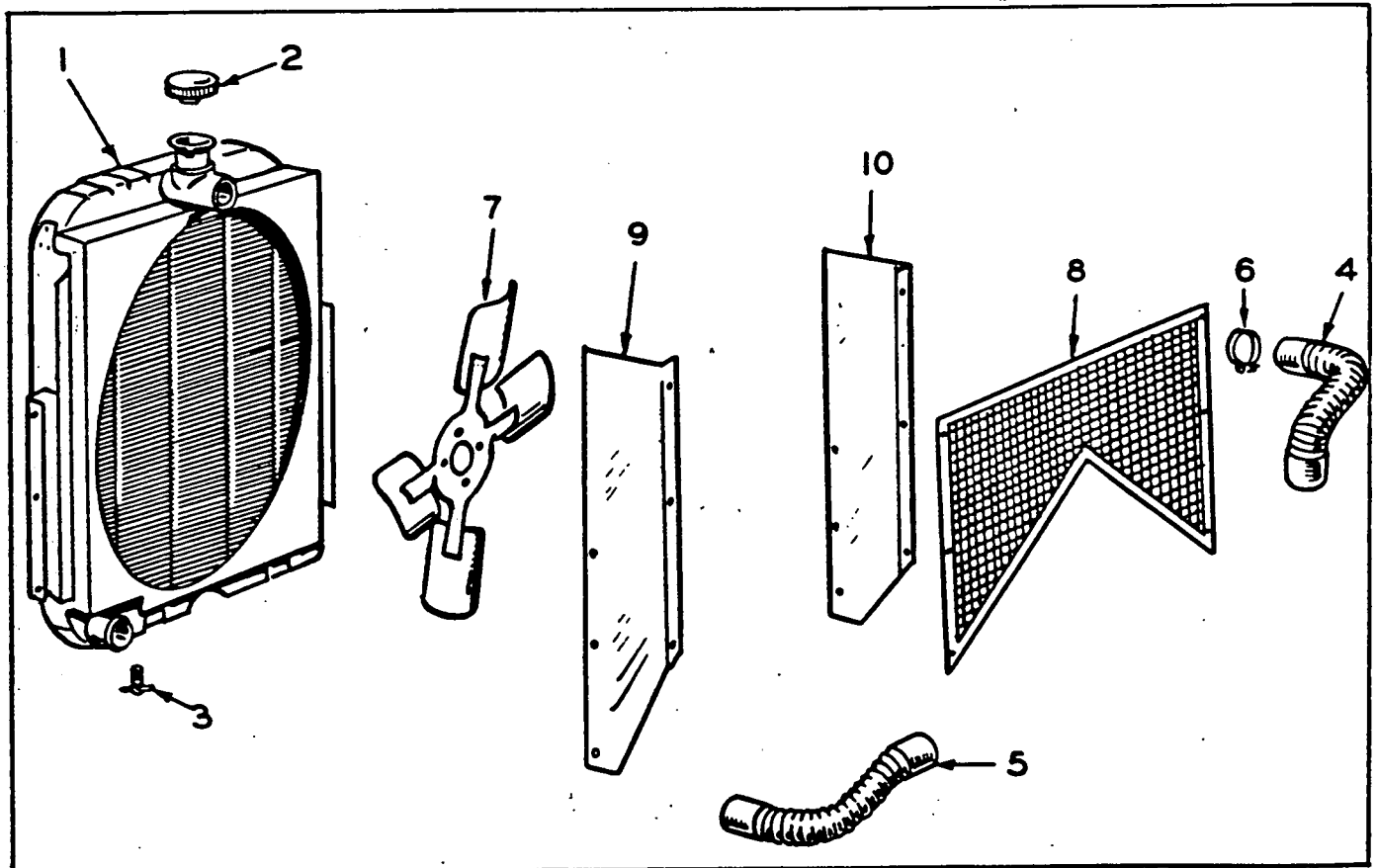


FIG.2 - COOLING SYSTEM GROUP

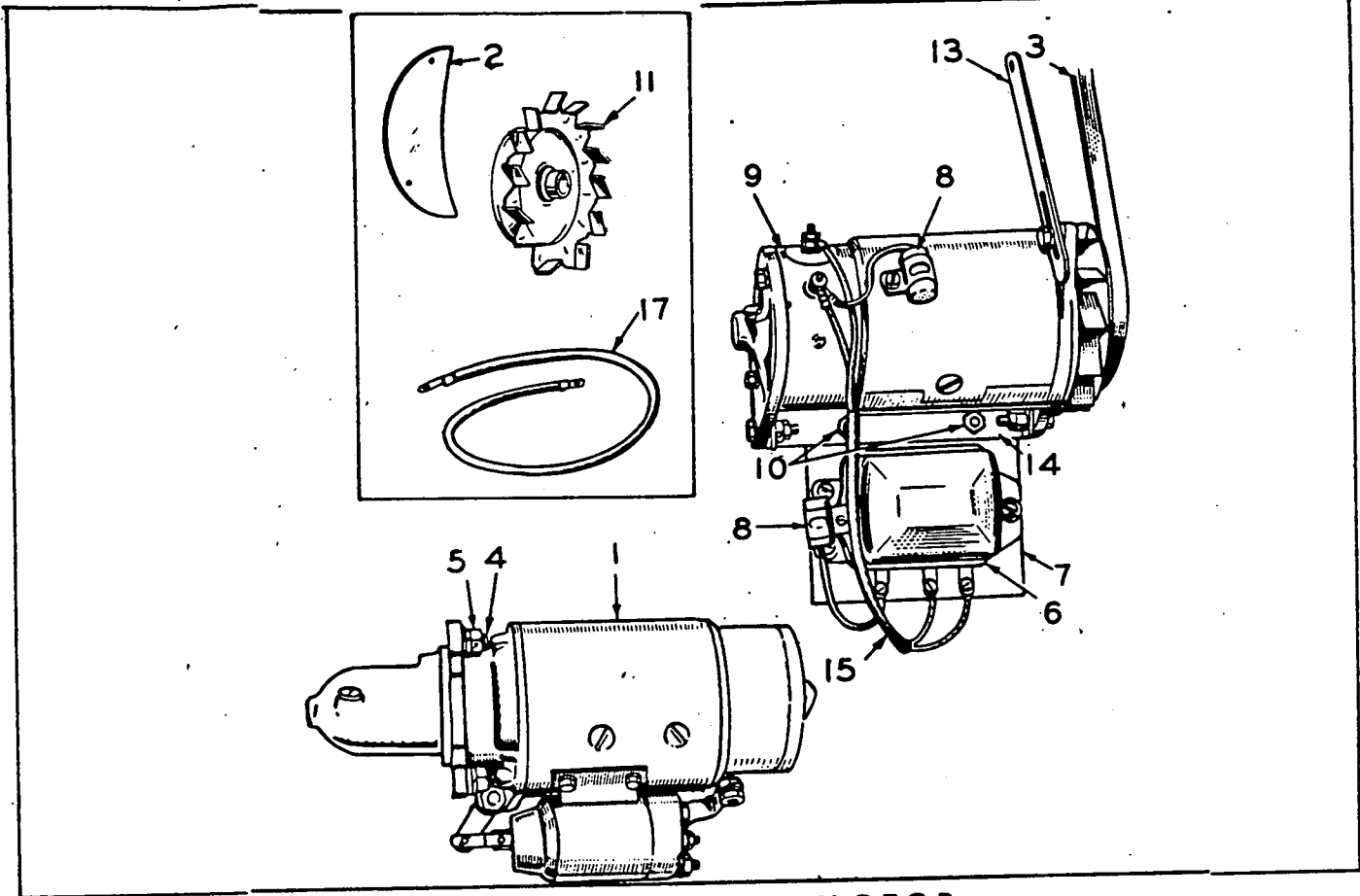


FIG.3 -STARTING MOTOR AND BATTERY CHARGE GENERATOR GROUP

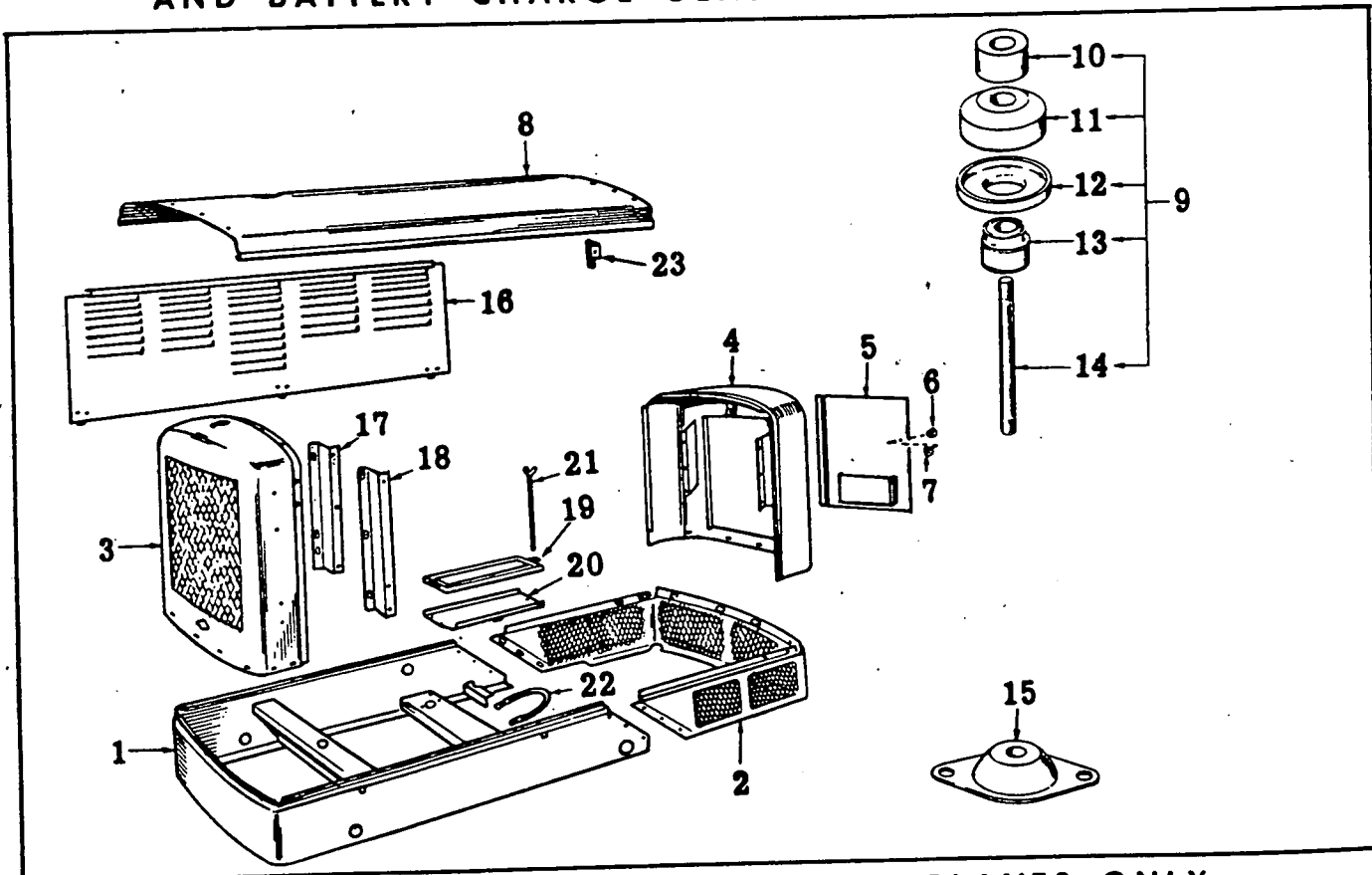


FIG.4 -HOUSING GROUP-HOUSED PLANTS ONLY

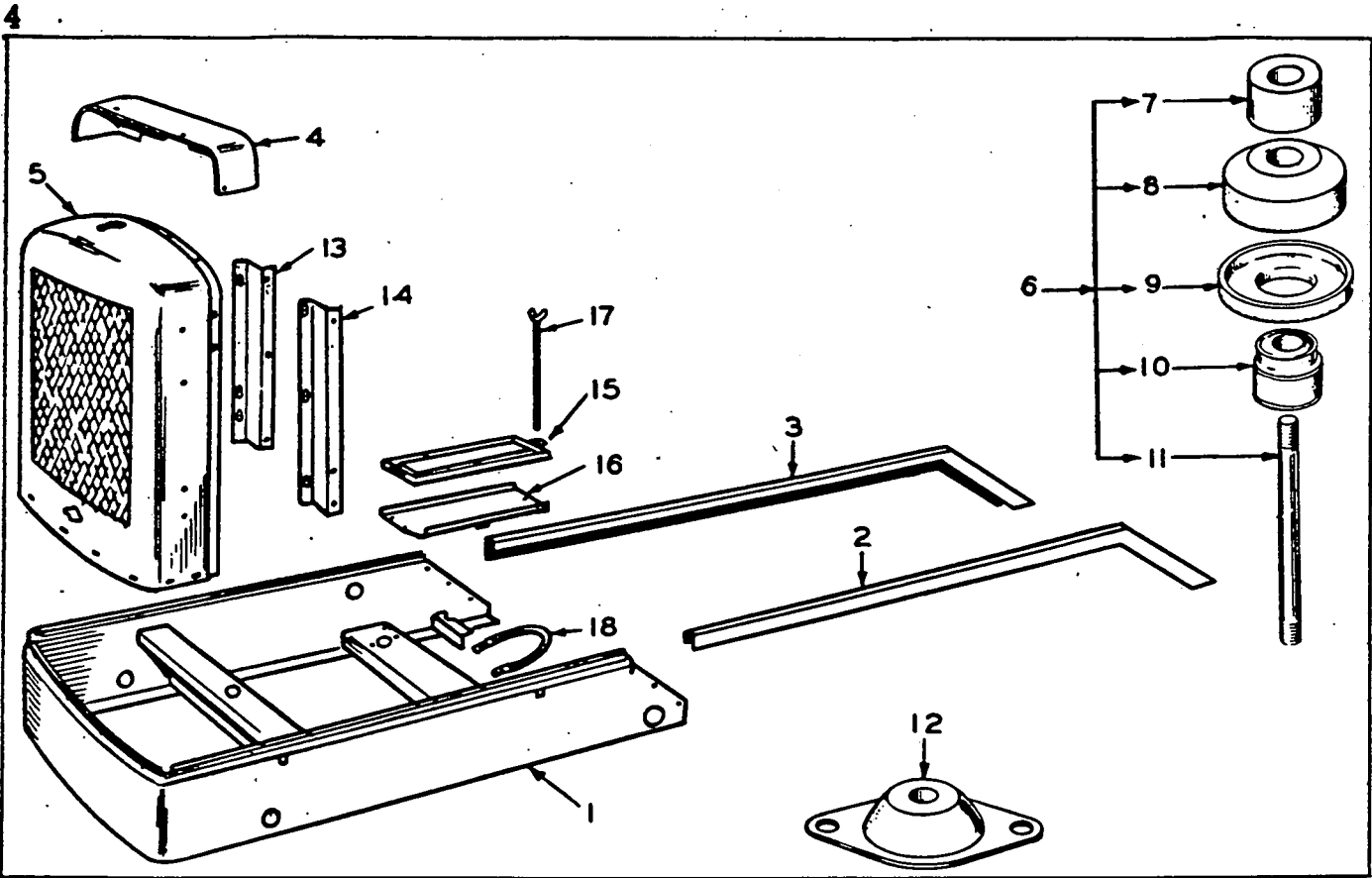


FIG. 5 - MOUNTING GROUP—UNHOUSED PLANTS ONLY

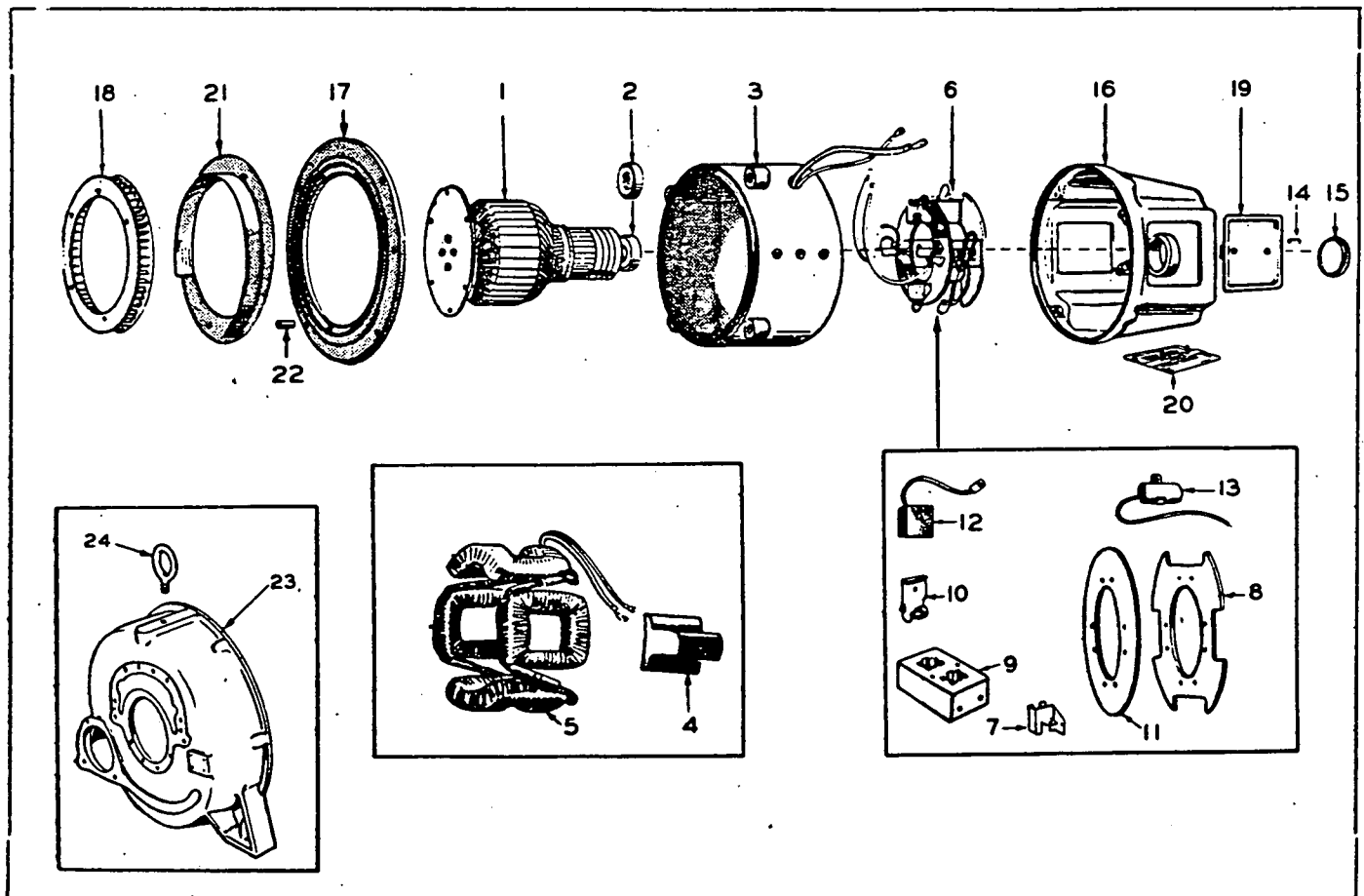


FIG. 6 - GENERATOR GROUP

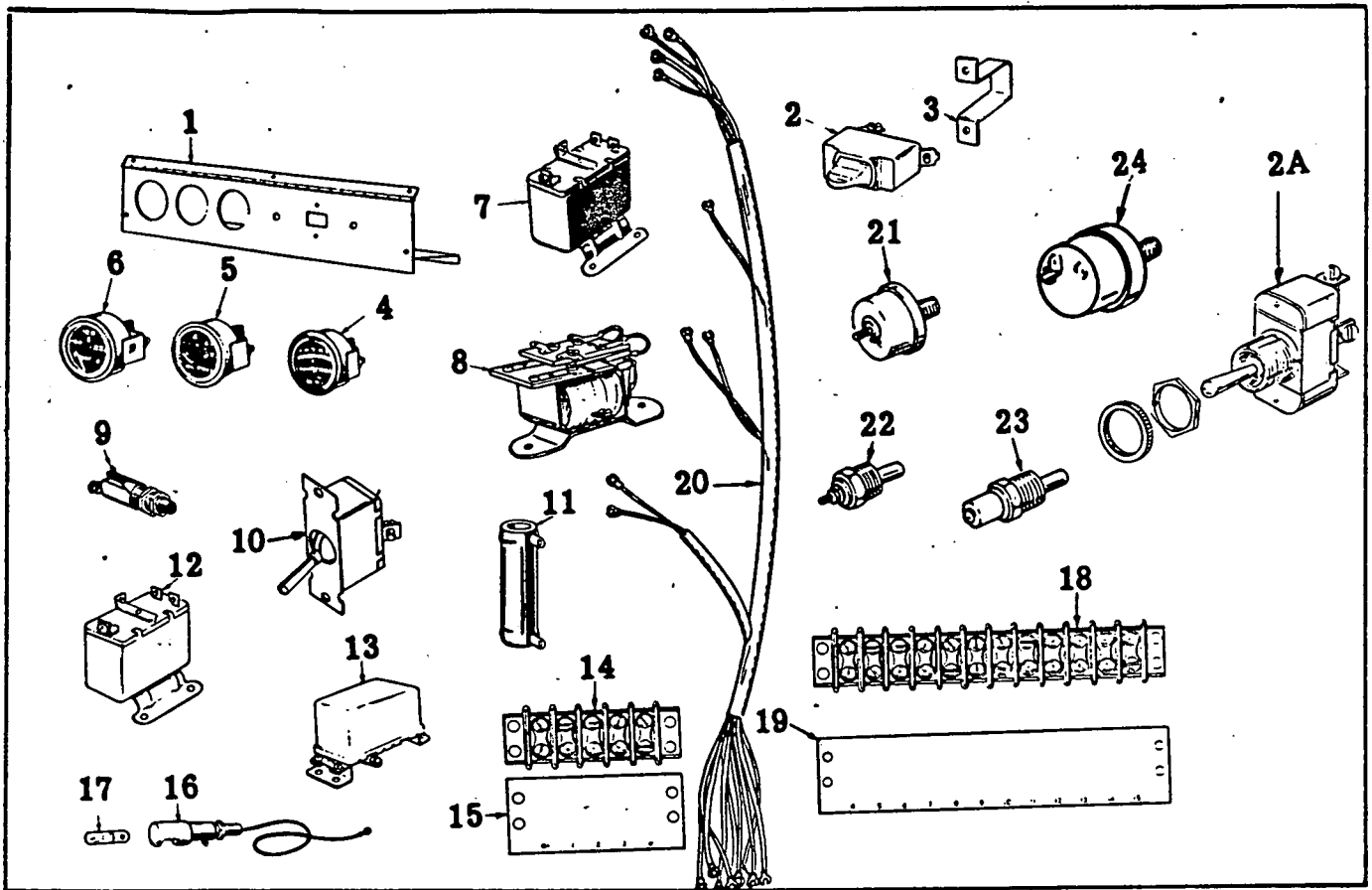


FIG. 7 -ENGINE CONTROL PANEL GROUP (ENGINE INSTRUMENT)

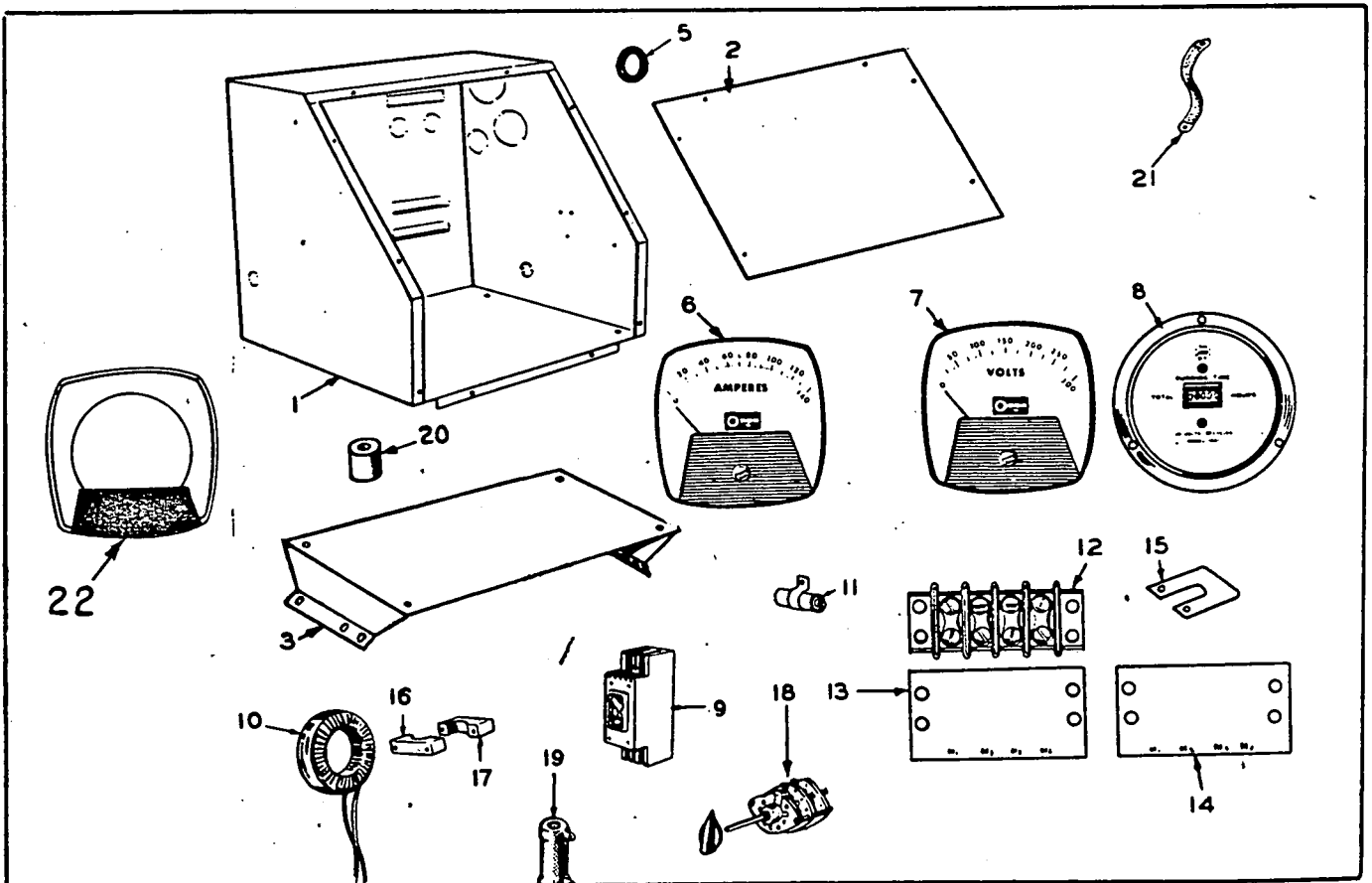


FIG. 8 -ELECTRICAL CONTROL PANEL GROUP (AC OUTPUT)

PARTS LIST

| REF. NO. | PART NO. | QUANT. USED | DESCRIPTION |
|---|----------|-------------|---|
| REPLACEMENT ENGINE NO. 100P424 | | | |
| (Hercules Motor Corp. D1500 X 2) | | | |
| Replaces 100P418 (D149 x 34) and 100P248 (D149 x 17 and D149 x 28) | | | |
| General Description: | | | |
| Includes - Complete Cylinder Block; Oil Pan; Governor and Fuel Pump Assembly; Hand Primer Pump; Oil Pump; Oil Filter; Water Pump; Intake and Exhaust Manifold; 12 Volt Air Intake Heater; and Flywheel Housing (Generator Adapter). | | | |
| Excludes - Air Cleaner & Hose; Oil Drain Assembly; Fuel Filter, Mounting Bracket & Line; Starter; Voltage Regulator & Mounting Bracket; Charge Generator, Mounting Bracket & Harness Assy.; Radiator & Hoses; Fan Blades, Belt & Guard; Air Intake Heater Solenoid, Mounting Bracket & Leads; Exhaust Muffler, Flange & Flexible Tube; Oil Pressure & Water Temperature Gauge Senders; High Water Temperature Cut off Switch; and Engine Mounts. | | | |
| FIG 1 - FUEL SYSTEM GROUP | | | |
| 1 | 149P745 | 1 | Filter, Fuel (Fram #F-1101PL) Includes Cartridge - Used Begin ONAN Serial #601377. |
| 1A | 149P722 | 1 | Filter, Fuel (Hartford Mach.#2600-1A) Includes Element - Used Prior to ONAN-Serial #601377. |
| 2 | 149C743 | 1 | Bracket, Fuel Filter Mounting - Begin Serial #601377. |
| 2A | 149C721 | 1 | Bracket, Fuel Filter Mounting-Prior to Serial#601377. |
| 3 | 149P744 | 1 | Cartridge, Fuel Filter (Fram #C-1101PL) Begin ONAN Serial #601377. |
| 3A | 149-726 | 1 | Element, Fuel Filter (Hartford Mach.#2603) Prior to ONAN Serial #601377. |
| 4 | | | Elbow, Fuel Filter Outlet - |
| | 502-42 | 1 | Prior to Spec C. |
| | 502-20 | 1 | Begin Spec C. |
| 5 | 149B747 | 1 | Line, Fuel Filter to Injection Pump - Begin Serial #601377 - Prior to Spec C |
| 5A | 149B716 | 1 | Line, Fuel Filter to Inj. Pump - Prior to Serial 601377. |
| 5B | 501A88 | 1 | Line, Fuel Filter to Inj. Pump-Flex - Begin Spec C. |
| 6 | 140B500 | 1 | Cleaner, Air. |
| 7 | 503-134 | 1 | Hose, Air Cleaner. |
| 8 | 503-44 | 2 | Clamp, Air Cleaner Hose. |
| 9 | 307B40 | 1 | Solenoid, Intake Manifold Heater. |
| 10 | 301A1623 | 1 | Bracket, Solenoid Mounting (With provision for mounting Injection Pump Spring). |
| 11 | 336A1199 | 1 | Lead, Solenoid to Intake Manifold Heater - 10" Long. |
| 12 | 336A1200 | 1 | Lead, Solenoid to Starter - 36" Long. |
| 13 | 336A713 | 1 | Jumper, Injection Pump Terminal to Ground - 8" Long. |
| 14 | 502-54 | 1 | Elbow, Street - Primer Pump Inlet. |
| 15 | 505-105 | 1 | Nipple, Pipe - Primer Pump to Fuel Filter - Begin ONAN Serial #601377. |
| 15A | 502-47 | 1 | Nipple, Pipe - Primer Pump to Fuel Filter - Prior to ONAN Serial #601377. |
| 16 | 149A738 | 1 | Spring, Injection Pump - Replaces 145A158. |
| 18 | 154B519 | 1 | Flange, Exhaust Manifold. |

PARTS LIST

| REF. NO. | PART NO. | QUANT. USED | DESCRIPTION |
|--|----------|-------------|---|
| FIG 1 - FUEL SYSTEM GROUP (Cont.) | | | |
| 19 | 154A543 | 1 | Gasket, Exhaust Flange. |
| 20 | 155B456 | 1 | Muffler, Exhaust. |
| 21 | 155B493 | 1 | Tube, Flexible Exhaust. |
| 22 | 505-32 | 1 | Coupling, Exhaust Tube. |
| 23 | 102A33 | 1 | Adapter, Oil Drain. |
| 24 | 102A34 | 1 | Gasket, Oil Drain. |
| 25 | 505-100 | 2 | Nipple, Pipe Close - Oil Drain - 1/2". |
| 26 | 504P4 | 1 | Valve, Shut-off - Oil Drain. |
| 27 | 503-98 | 1 | Hose, Oil Drain - Specify 14" length when ordering. |
| 28 | 503-197 | 1 | Clamp, Oil Drain Hose. |
| 29 | 504-3 | 1 | Valve, Drain - Cylinder Block. |
| 30 | 505-99 | 3 | Nipple, Pipe Close - Crankcase Breather - 1/4". |
| 31 | 505-38 | 1 | Elbow, Pipe (90°) Crankcase Breather. |
| 32 | 503P110 | 1 | Hose, Crankcase Breather - SPECIFY Length Req. |
| 33 | 505-7 | 1 | Bushing, Fuel Filter Outlet - Begin Spec C |
| 34 | 502-41 | 1 | Elbow, Fuel Line to Injection Pump - Begin Spec C |

FIG 2 - COOLING SYSTEM GROUP

| | | | |
|----|---------|---|-----------------------------------|
| 1 | 130D404 | 1 | Radiator. |
| 2 | 130P431 | 1 | Cap, Radiator. |
| 3 | 504-3 | 1 | Valve, Radiator Drain. |
| 4 | 503C320 | 1 | Hose, Engine to Radiator - Upper. |
| 5 | 503C319 | 1 | Hose, Engine to Radiator - Lower. |
| 6 | 503-129 | 4 | Clamp, Radiator Hose. |
| 7 | 130B410 | 1 | Fan Only, Cooling. |
| 8 | 130C407 | 1 | Guard, Fan - Rear Portion. |
| 9 | 130C406 | 1 | Guard, Fan - Right Hand Side. |
| 10 | 130C405 | 1 | Guard, Fan - Left Hand Side. |

FIG 3 - STARTING MOTOR & BATTERY CHARGE GENERATOR GROUP

| | | | |
|---|---------|---|--|
| 1 | 191D428 | 1 | ▲Starter, 12 Volt (Delco Remy #1107534) - Replaces 191D237 (Delco Remy #1108661) |
| 2 | 191A259 | 1 | Cover, Starter Hole. |
| 3 | | | Belt, Charge Generator and Fan Drive. |
| | | 1 | Spec A Only - Order 511K63 Belt and Pulley Kit |
| | 511P60 | 1 | Begin Spec B |
| 4 | 520A95 | 3 | Stud, Starter Mounting. |
| 5 | 104A91 | 3 | Nut, Hex - Starter Mounting Stud. |
| 6 | 191A228 | 1 | ▲Regulator, Voltage - 12 Volt (Delco Remy #1119001). |
| 7 | 191B238 | 1 | Bracket, Voltage Regulator Mtg. -Early Spec A Models. |
| 8 | 312A15 | 2 | Condenser - .1 Mfd. - (1) Charge Generator, (1) Voltage Regulator |
| 9 | 191P251 | 1 | ▲Generator, Battery Charge - 12 Volt (Delco Remy #1102044). |

▲ - For Component Parts not listed, contact your nearest Delco Remy Dealer. Supply Delco Model Number.

PARTS LIST

| REF. NO. | PART NO. | QUANT. USED | DESCRIPTION |
|--|----------|-------------|---|
| FIG. 3 - STARTING MOTOR & BATTERY CHARGE GENERATOR GROUP (Cont.) | | | |
| 10 | 110A445 | 2 | Nut, Hex - Charge Generator Mounting. |
| 11 | | | Fan and Pulley, Generator - 1 Piece (Replaces previously used 3 Piece Fan, Pulley and Plate). - Spec A Only - Order 511K63 Belt and Pulley Kit. Begin Spec B. |
| | 191B459 | 1 | |
| 13 | 191A235 | 1 | Strap, Adjusting - Charge Generator. |
| 14 | 191A234 | 1 | Bracket, Charge Generator Mounting. |
| 15 | 338B105 | 1 | Harness Assembly, Charge Generator to Voltage Regulator - 2 Wires in Sleeving. |
| 17 | | | Cable, Battery - |
| | 416A77 | 1 | 28" Long. |
| | 416A49 | 1 | 14" Long. |

FIG. 4 - HOUSING GROUP (HOUSED PLANTS ONLY)

| | | | |
|----|----------|---|---|
| 1 | 403D531 | 1 | Chassis, Mounting. |
| 2 | 403D532 | 1 | Chassis, Mounting - Rear Section. |
| 3 | 405D1133 | 1 | Panel, Front End. |
| 4 | 405D1081 | 1 | Panel, Rear End - Excludes door. |
| 5 | 405B1080 | 1 | Panel, Rear Door - Includes hinge. |
| 6 | 406-2 | 1 | Knob, Panel Door - Attach with machine screw. |
| 7 | 406-88 | 1 | Catch, Panel Door. |
| 8 | 405D1135 | 1 | Panel, Top. |
| 9 | 402A201 | 1 | Mounting Assy., Front Engine - Includes parts marked * plus washers and nuts. |
| 10 | 403A533 | 1 | *Spacer, Front Engine Mounting. |
| 11 | 402A10 | 1 | *Mount, Rubber - Upper. |
| 12 | 402A12 | 1 | *Cup, Rubber Mount Retainer. |
| 13 | 402A11 | 1 | *Mount, Rubber - Lower. |
| 14 | 520A576 | 1 | *Stud, Engine Mounting. |
| 15 | 402P190 | 2 | Mount, Vibration - Generator. |
| 16 | 405C1084 | 2 | Panel, Side Door - Includes Hold-down Fasteners. |
| 17 | 130B408 | 1 | Bracket, Radiator - Left Hand. |
| 18 | 130B409 | 1 | Bracket, Radiator - Right Hand. |
| 19 | 416B338 | 1 | Frame, Battery Hold-down. |
| 20 | 416D431 | 1 | Tray, Battery. |
| 21 | 520A435 | 2 | Stud, Battery Hold-down. |
| 22 | 336A476 | 1 | Strap, Ground - Generator Adapter to Mounting Chassis. |
| 23 | 405A1181 | 2 | Stop. Door. |

PARTS LIST

| REF. NO. | PART NO. | QUANT. USED | DESCRIPTION |
|---|----------|-------------|---|
| FIG. 5 - MOUNTING GROUP (UNHOUSED PLANTS ONLY) | | | |
| 1 | 403D531 | 1 | Chassis, Mounting. |
| 2 | 403C478 | 1 | Trim, Chassis - Right Hand Side. |
| 3 | 403C479 | 1 | Trim, Chassis - Left Hand Side. |
| 4 | 405B1089 | 1 | Trim, Front Panel. |
| 5 | 405D1133 | 1 | Panel, Front End. |
| 6 | 402A201 | 1 | Mounting Assy., Front Engine - Includes parts marked * plus washers and nuts. |
| 7 | 403A533 | 1 | *Spacer, Front Engine Mounting. |
| 8 | 402A10 | 1 | *Mount, Rubber - Upper. |
| 9 | 402A12 | 1 | *Cup, Rubber Mount Retainer. |
| 10 | 402A11 | 1 | *Mount, Rubber - Lower. |
| 11 | 520A576 | 1 | *Stud, Engine Mounting. |
| 12 | 402P190 | 2 | Mount, Vibration - Generator. |
| 13 | 130B408 | 1 | Bracket, Radiator - Left Hand. |
| 14 | 130B409 | 1 | Bracket, Radiator - Right Hand. |
| 15 | 416B338 | 1 | Frame, Battery Hold-down. |
| 16 | 416D431 | 1 | Tray, Battery. |
| 17 | 416A90 | 2 | Stud and Wing Nut, Battery Hold-down. |
| 18 | 336A476 | 1 | Strap, Ground - Generator Adapter to Mounting Chassis. |

FIG. 6 - GENERATOR GROUP

| | | | |
|---|---------|---|---|
| 1 | | | Armature Assembly - Includes Ball Bearing and Drive Disc. |
| | 201A899 | 1 | Parts Key No. 1. |
| | 201A900 | 1 | Parts Key No. 2. |
| | 201A901 | 1 | Parts Key No. 3. |
| | 201A905 | 1 | Parts Key No. 4. |
| | 201A906 | 1 | Parts Key No. 5. |
| | 201A909 | 1 | Parts Key No. 6. |
| 2 | 510A52 | 1 | Bearing, Armature Ball. |
| 3 | | | Frame only, Generator - Machined and Drilled. |
| | 210C304 | 1 | Parts Key No. 1. |
| | 210C305 | 1 | Parts Key Nos. 2 and 3. |
| | 210C306 | 1 | Parts Key No. 4. |
| | 210C307 | 1 | Parts Key Nos. 5 and 6. |
| 4 | | | Shoe, Pole. |
| | 221B94 | 4 | Parts Key No. 1. |
| | 221B96 | 4 | Parts Key Nos. 2 and 3. |
| | 221B122 | 4 | Parts Key No. 4. |
| | 221B121 | 4 | Parts Key Nos. 5 and 6. |

PARTS LIST

| REF. NO. | PART NO. | QUANT. USED | DESCRIPTION |
|---|----------|-------------|--|
| FIG. 6 - GENERATOR GROUP (Cont.) | | | |
| 5 | | | Coil Assembly, Field - Set of 4 Coils, Connected. |
| | 222A1391 | 1 | Parts Key No. 1. |
| | 222A1390 | 1 | Parts Key Nos. 2 and 3. |
| | 222A1530 | 1 | Parts Key No. 4. |
| | 222A1531 | 1 | Parts Key Nos. 5 and 6. |
| 6 | | | Rig Assy., Brush - Includes Brushes and Springs. |
| | 212C202 | 1 | Parts Key Nos. 1, 2, 4 and 5. |
| | 212C207 | 1 | Parts Key Nos. 3 and 6. |
| 7 | 212A1121 | 4 | Guide, Commutator Brush. |
| 8 | 212A1138 | 1 | Spider, Brush Rig Mounting. |
| 9 | 212A1120 | 4 | Block, Holder - Collector Ring Brush. |
| 10 | | | Spring, Brush. |
| | 212A1106 | 4 | Commutator Brush. |
| | 212A1123 | As Req. | Collector Ring Brush - (8) Parts Key Nos. 1, 2, 4 and 5; (6) Parts Key Nos. 3 and 6. |
| 11 | 213B116 | 1 | Ring, Insulator - Brush Guide. |
| 12 | | | Brush. |
| | 214A57 | 4 | Commutator. |
| | 214A54 | As Req. | Collector Rings (8) Parts Key Nos. 1, 2, 4 and 5; (6) Parts Key Nos. 3 and 6. |
| 13 | 312A17 | 1 | Condenser - .5 Mfd. - Parts Key Nos. 1, 2 and 3. |
| 14 | 232A1478 | 1 | Clip, Bearing Stop. |
| 15 | 232A601 | 1 | Cover, Bearing. |
| 16 | 211D133 | 1 | Bell, End. |
| 17 | 231C84 | 1 | Ring, Spacer - Generator Adapter to Gen. Frame. |
| 18 | 205B33 | 1 | Blower, Generator. |
| | | | Cover, End Bell Opening. |
| 19 | 232B814 | 3 | Top and Sides (Blank). |
| 20 | 232B841 | 1 | Bottom (Screened). |
| 21 | 234C63 | 1 | Scroll, Air. |
| 22 | 232A1355 | 4 | Spacer, Air Scroll Mounting. |
| 23 | 101D303 | 1 | Adapter, Generator (Flywheel Housing) Included with Replacement Engine. |
| 24 | 403A95 | 1 | Eye, Lifting - Mounts on Generator Adapter. |

FIG. 7 - ENGINE CONTROL PANEL GROUP (ENGINE INSTRUMENTS)

| | | | |
|----|----------|---|---|
| 1 | 301C1619 | 1 | Panel Only, Lower. |
| | | | Switch, Start-Stop - |
| 2 | 308-90 | 1 | Prior to Approx. 2-10-61 - Use #308A166 to Replace. |
| 2A | 308P154 | 1 | Use Began Approx. 2-10-61. |
| 3 | 301A974 | 1 | Bracket, Switch Mtg. - Used with #308-90 Switch Only. |
| 4 | 302P60 | 1 | Ammeter, Charge (20-0-20). |
| 5 | 193B107 | 1 | Gauge, Oil Pressure (Panel Unit only) - Includes Clamp. |

PARTS LIST

| REF. NO. | PART NO. | QUANT. USED | DESCRIPTION |
|----------|----------|-------------|-------------|
|----------|----------|-------------|-------------|

FIG. 7 - ENGINE CONTROL PANEL GROUP (ENGINE INSTRUMENTS) Cont.

| | | | |
|----|---------|---|---|
| 6 | 193B106 | 1 | Gauge, Water Temperature (Panel Unit only - Includes Clamp). |
| 7 | 307B52 | 1 | Relay, Start-Disconnect. |
| 8 | 307B299 | 1 | Relay, Emergency Stop. |
| 9 | 308-91 | 1 | Switch, Emergency Stop Reset Button. |
| 10 | 308-37 | 1 | Switch, Manifold Heater. |
| 11 | 304P32 | 1 | Resistor, Fixed (Between Stop Relay and Start-Disconnect Relay). |
| 12 | 307B81 | 2 | Relay, Pilot - (1) Fuel Solenoid Circuit, (1) Starter Solenoid Circuit. |
| 13 | 307B4 | 1 | Relay, Stop. |
| 14 | 332A604 | 1 | Block, Terminal - 5 Place (Remote Operation). |
| 15 | 332A616 | 1 | Strip, Block Marker - Marked B+, 1, 2, 3, H. |
| 16 | 322P49 | 1 | Receptacle, Panel Light - Housed Plants only. |
| 17 | 322-26 | 1 | Bulb, Panel Light - Housed Plants only. |
| 18 | 332-607 | 1 | Block, Terminal - 12 Place (Engine Connections). |
| 19 | 332-608 | 1 | Strip, Block Marker - Marked 4 through 15. |
| 20 | 338B210 | 1 | Harness Assy., Engine to Control-9 Wires in Sleaving. |
| 21 | 193B108 | 1 | Sender, Oil Pressure Gauge - Engine Sending Unit only. |
| 22 | 193A109 | 1 | Sender, Water Temperature Gauge - Engine Sending Unit only. |
| 23 | 309B47 | 1 | Switch, High Water Temperature Cut-off (Mounts at Engine). |
| 24 | 309-10 | 1 | Switch, Low Oil Pressure Cut-off (Optional Equipment - Mounts at Engine). |

FIG. 8 - ELECTRICAL CONTROL PANEL GROUP (AC OUTPUT)

| | | | |
|---|----------|---|---|
| 1 | 301D1560 | 1 | Box, Control. |
| 2 | 301C1195 | 1 | Panel Only, Upper. |
| 3 | 301C1555 | 1 | Parts Key Nos. 1 through 6 (Unhoused Plants only). |
| 3 | 301C1551 | 1 | Parts Key Nos. 2, 3, 5 and 6 (Housed Plants only). |
| 3 | 301C1845 | 1 | Parts Key Nos. 1 and 4 (Housed Plants only) |
| 5 | 508P63 | 1 | Bracket, Control Box Mtg. - Single Piece (Replaces two piece brackets previously used). |
| | | | Grommet, Rubber (For 2-3/4" Hole). |

PARTS LIST

| REF. NO. | PART NO. | QUANT. USED | DESCRIPTION |
|--|----------|-------------|---|
| FIG. 8 - ELECTRICAL CONTROL PANEL GROUP (AC OUTPUT) Cont. | | | |
| 6 | | | Ammeter, AC - Housed Plants only. |
| | 302P419 | 2 | Parts Key No. 1 (0-50) - Replaces 302-7. |
| | 302-116 | 1 | Parts Key Nos. 2, 3 and 6 (0-50). |
| | 302P406 | 2 | Parts Key No. 4 (0-75) - Replaces 302-9. |
| | 302P406 | 1 | Parts Key No. 5 (0-75) - Replaces 302-9. |
| 7 | 302P421 | 1 | Voltmeter, AC (0-300) Housed Plants Only - Replaces 302-41. |
| 8 | 302-212 | 1 | Meter, Running Time (Housed Plant only) Note: For 50 Cycle Plants, Use #302-102 Meter. |
| 9 | | | Breaker, Circuit - Housed Plants only. |
| | 320B52 | 2 | Parts Key No. 1. |
| | 320-20 | 3 | Parts Key Nos. 2 and 3. |
| | 320P148 | 2 | Parts Key No. 4. |
| | 320-21 | 3 | Parts Key No. 5. |
| | 320B52 | 3 | Parts Key No. 6. |
| 10 | | | Transformer, Current - Housed Plants only. |
| | 302B117 | 3 | Parts Key Nos. 2, 3 and 6. |
| | 302B76 | 2 | Parts Key No. 4. |
| | 302B76 | 3 | Parts Key No. 5. |
| 11 | 312A58 | As Req. | Condenser, 0.1 mfd - Output Term. Suppression - Replaces 312A15. |
| 12 | 332-419 | 1 | Block, Terminal - AC Output - 4 Place. Strip, Block Marker - AC Output Block. |
| 13 | 332A437 | 1 | Parts Key Nos. 1 and 4 (Marked M1, M3, M2, M4). |
| 14 | 332A436 | 1 | Parts Key Nos. 2, 3, 5 and 6 (Marked M1, M2, M3, M0). |
| 15 | 332A440 | As Req. | Jumper, Terminal - Brass - AC Output Terminal - Parts Key Nos. 1 and 4 (1 or 2 required). |
| 16 | 302A235 | As Req. | Clamp, Current Transformer - Housed Plants only. Inside Half - (3) Parts Key Nos. 2, 3, 5 and 6; and (2) Parts Key No. 4. |
| 17 | 302A236 | As Req. | Outside Half - (3) Parts Key Nos. 2, 3, 5 and 6; and (2) Parts Key No. 4. |
| 18 | 308-22 | 1 | Switch, Selector (Voltmeter-Ammeter) Housed Plants only with Parts Key Nos. 2, 3, 5 and 6. |
| 19 | 304-99 | 1 | Resistor, Fixed - Running Time Meter (Housed Plants only with Parts Key Nos. 2, 3, 5 and 6.) |
| 20 | 402-78 | 4 | Mounts, Rubber - Control Box to Brackets (Un- housed Plants Only). |
| 21 | 337A44 | 1 | Strap, Ground - Unhoused Plants only. |
| 22 | 302B448 | 1 | Plate, Meter Face - Square - For Round Faced Running Time Meter. |