

PARTS CATALOG

FOR



ELECTRIC GENERATING PLANTS

DFE SERIES

ONAN

1400 73RD AVENUE N.E. • MINNEAPOLIS, MINNESOTA 55432

A DIVISION OF STUDEBAKER CORPORATION

INTERNATIONAL OFFICE: EMPIRE STATE BUILDING, NEW YORK, N.Y.

Redistribution or publication of this document
by any means, is strictly prohibited.

956-301

Price \$1.00

A1

10AF67

Printed in U. S. A.

ONAN PARTS

ALL PARTS IN THIS LIST ARE ONAN PARTS. FOR ONAN PARTS OR SERVICE, CONTACT THE DEALER FROM WHOM YOU PURCHASED THIS EQUIPMENT OR REFER TO YOUR NEAREST AUTHORIZED SERVICE STATION.

TO AVOID ERRORS OR DELAY IN FILLING YOUR PARTS ORDER, PLEASE FURNISH ALL INFORMATION REQUESTED. REFER TO THE ONAN NAMEPLATE ON YOUR PLANT. ONAN NAMEPLATE IS LOCATED ON THE UPPER RIGHT SIDE OF THE FLYWHEEL HOUSING. ALWAYS GIVE THE COMPLETE:

MODEL & SPEC NO.
and
SERIAL NO.

ELECTRIC ONAN PLANT

MODEL AND SPECIFICATION SERIAL NO.

IMPORTANT MENTION ABOVE NUMBERS AND GEN. DATA NO. WHEN ORDERING PARTS OR WRITING ABOUT THIS PLANT.

RATINGS AT SEA LEVEL BASED ON FUEL CHECKED BELOW:

GASOLINE	<input type="checkbox"/>	DIESEL FUEL	<input type="checkbox"/>	<input type="checkbox"/>
STAND BY:	KW <input type="checkbox"/>	KVA <input type="checkbox"/>	AMPS <input type="checkbox"/>	
CONTINUOUS:	KW <input type="checkbox"/>	KVA <input type="checkbox"/>	AMPS <input type="checkbox"/>	
A.C. VOLTS	<input type="checkbox"/>	CYCLES	<input type="checkbox"/>	PHASE <input type="checkbox"/>
EXCITER	<input type="checkbox"/>	GEN. DATA	<input type="checkbox"/>	
R.P.M.	<input type="checkbox"/>	USE <input type="checkbox"/>	VOLT BATTERY-NEGATIVE GROUND	

MANUFACTURED BY
ONAN
MINNEAPOLIS, IA, MINNESOTA
MADE IN U.S.A.

CUMMINS PARTS

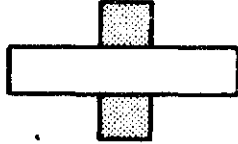
ALL CUMMINS PARTS MUST BE ORDERED FROM THE CUMMINS ENGINE COMPANY, INC., COLUMBUS, INDIANA OR THEIR NEAREST AUTHORIZED CUMMINS DISTRIBUTOR OR DEALER.

REFER TO THE CUMMINS ENGINE NAMEPLATE LOCATED ON THE GEAR COVER ON THE RIGHT SIDE OF THE ENGINE AS VIEWED FACING THE RADIATOR END.

WHEN ORDERING PARTS OR REQUESTING SERVICE INFORMATION, SUPPLY CUMMINS WITH ALL INFORMATION STATED ON THE ENGINE NAMEPLATE.

CUMMINS

CUMMINS ENGINE COMPANY, INC.
COLUMBUS, INDIANA, U.S.A.



SBM NO. MODEL ENG NO. OTHER REF. NO.

PARTS CATALOG

DFE SERIES

This parts catalog applies to the standard ONAN DFE Series electric generating plants. They are powered by a Cummins Model NHRS-6 engine which is more completely described in the Cummins manual. Basically, the engine is a 6 cylinder, water cooled, super charged diesel (compression ignition) type. The cylinder bore is 5-1/8 inches, piston stroke is 6 inches, and displacement is 743 cubic inches.

Cummins Engine parts must be selected from the appropriate Cummins parts list and parts must be secured from the Cummins Engine Company or their authorized distributor or dealer.

"Right" or "Left" sides of the Generator and Controls are determined by FACING the Radiator (Front) End.

Parts in this catalog are illustrated in groups and have reference numbers which correspond to the like numbers in the list for that group. Parts illustrations are typical and should not be construed to represent a particular part number.

Compare your ONAN plant nameplate MODEL and SPEC. with the Plant Data Table. The Plant Data Table contains all descriptive information pertinent to the list, such as voltage, phase, etc. which appears in the description of some parts that differ between basic models.

UNLESS OTHERWISE MENTIONED IN THE PARTS DESCRIPTION, PARTS ARE INTERCHANGEABLE BETWEEN ALL MODELS LISTED IN THE DATA TABLE.

PLANT DATA TABLE

MODEL & SPEC. NO. †	ELECTRICAL DATA				
	WATTS	VOLTS	CYCLE	PHASE	WIRE
135DFE-54R8/	135,000	120/208	50	3	4
135DFE-54XR8/	135,000	277/480	50	3	4
135DFE-55DR8/▲	135,000	120/240	50	3	4
135DFE-57R8/	135,000	220/380	50	3	4
175DFE-4R8/	175,000	120/208	60	3	4
175DFE-4XR8/	175,000	277/480	60	3	4
175DFE-5DR8/▲	175,000	120/240	60	3	4
175DFE-9R8/	175,000	600	60	3	3

- † - The NUMBER after the diagonal line (/) signifies standard or optional features (1 is standard). The LETTER ending the Model and Spec No. is the Spec Letter and will advance with manufacturing changes (A to B, B to C, etc.).
- ▲ - This is a delta-wound 240 volt model with one phase center-tapped. A limited amount of 1 phase 120/240 volt power can be utilized together with 3 phase power as long as no terminal current exceeds the rated nameplate current.

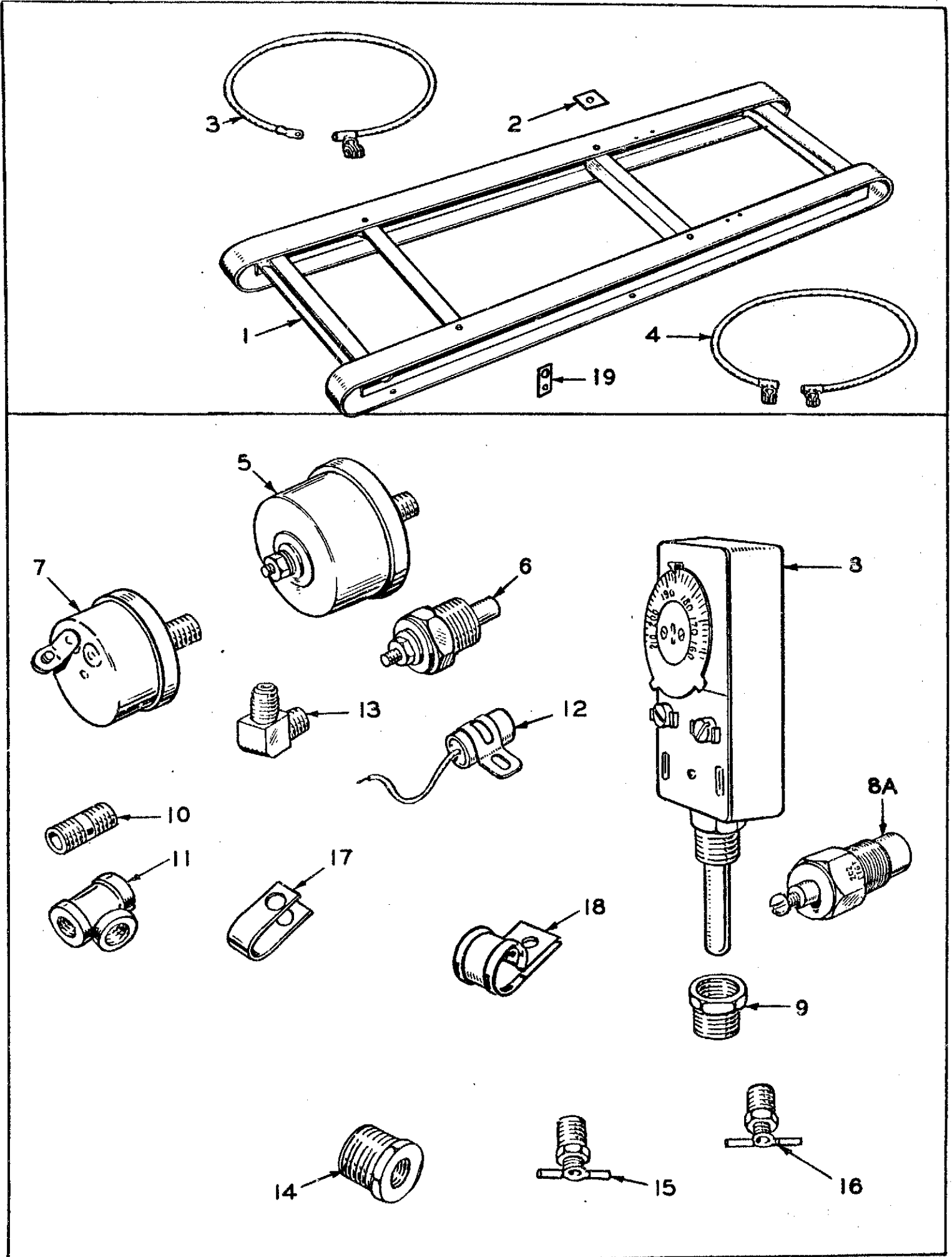


FIG. 1 - MOUNTING BASE, BATTERY CABLES & SENDER GROUP

A4



Power Generation

Redistribution or publication of this document by any means, is strictly prohibited.

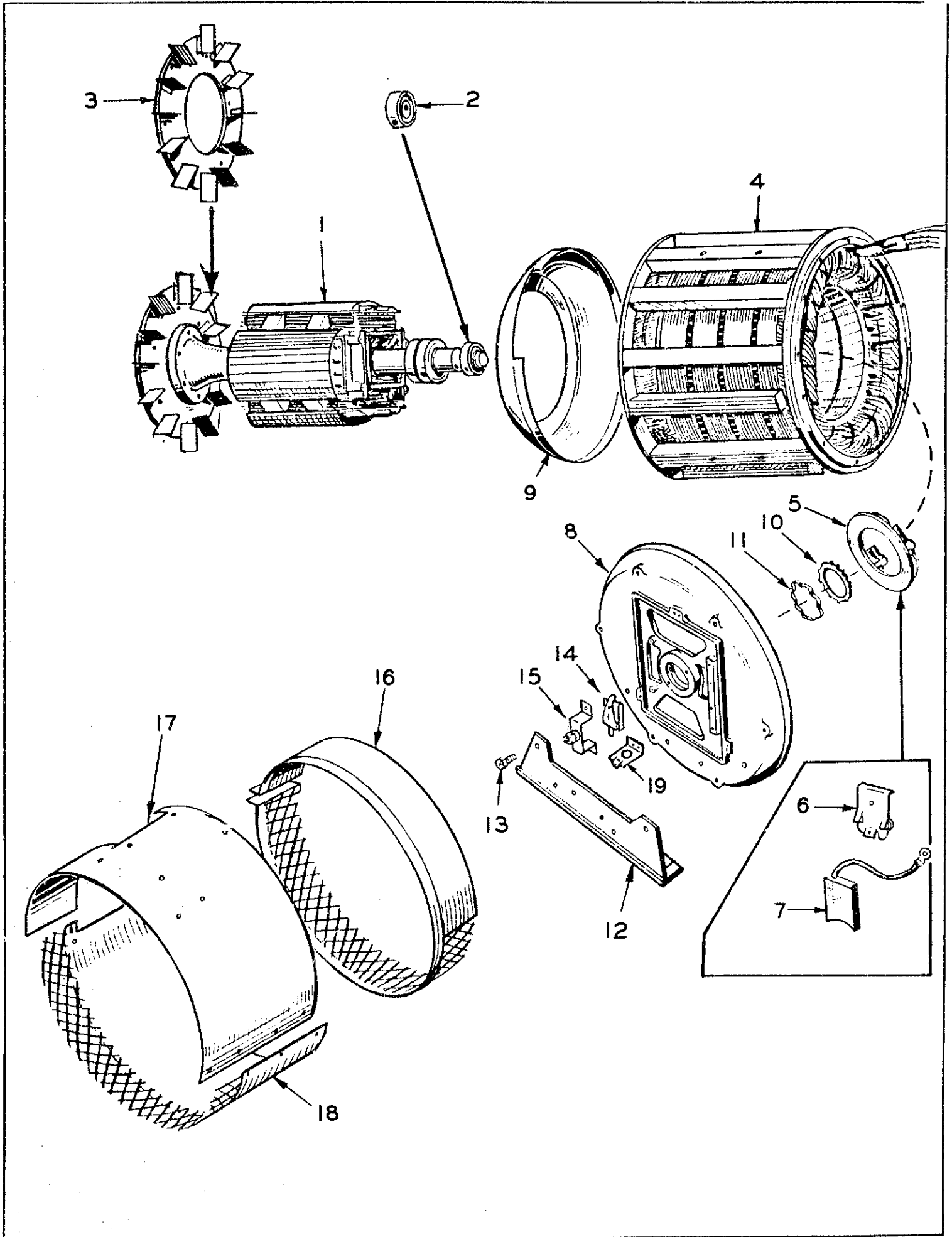


FIG. 2 - GENERATOR GROUP - Alternator Portion

A5

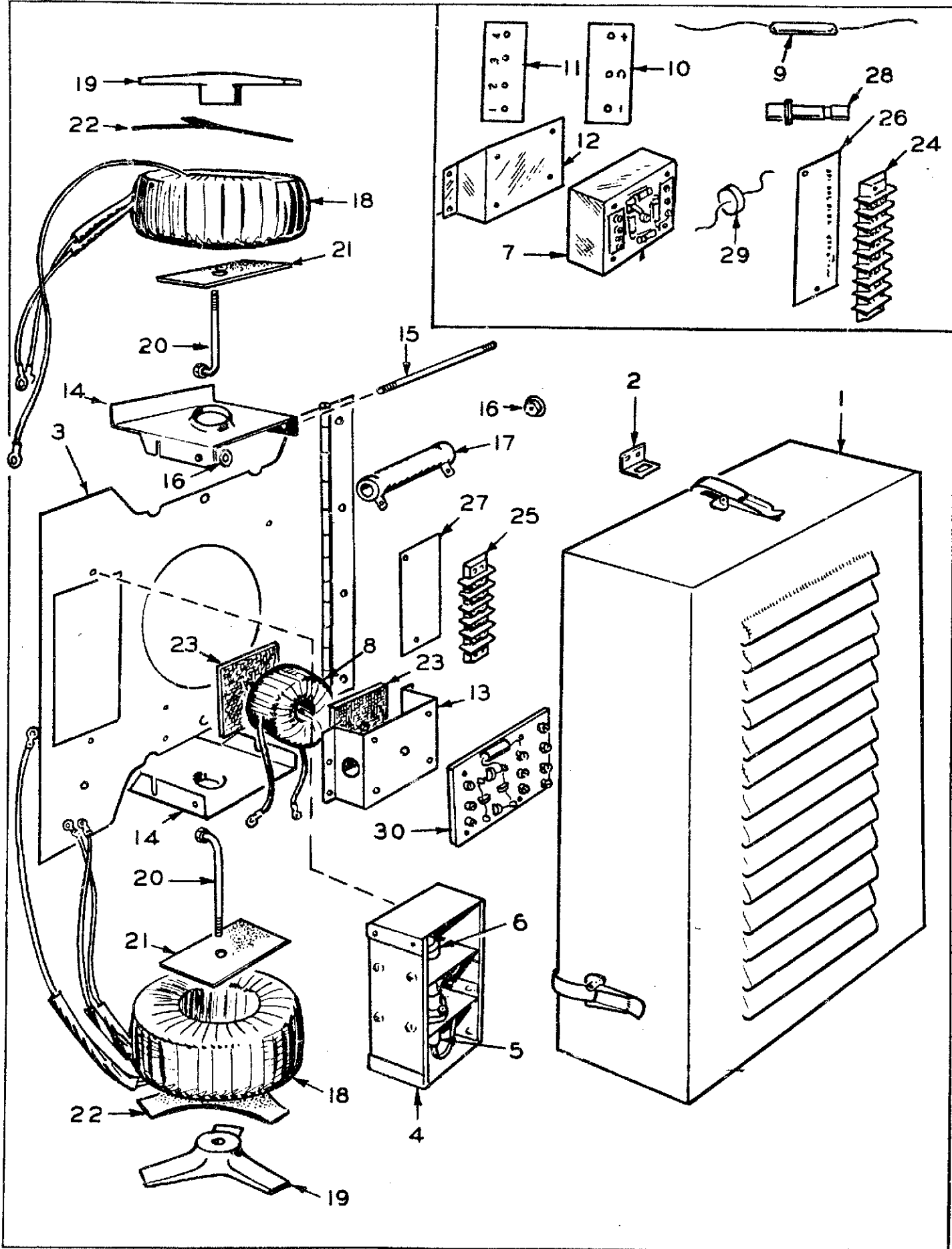


FIG. 3 - GENERATOR GROUP - Exciter Portion

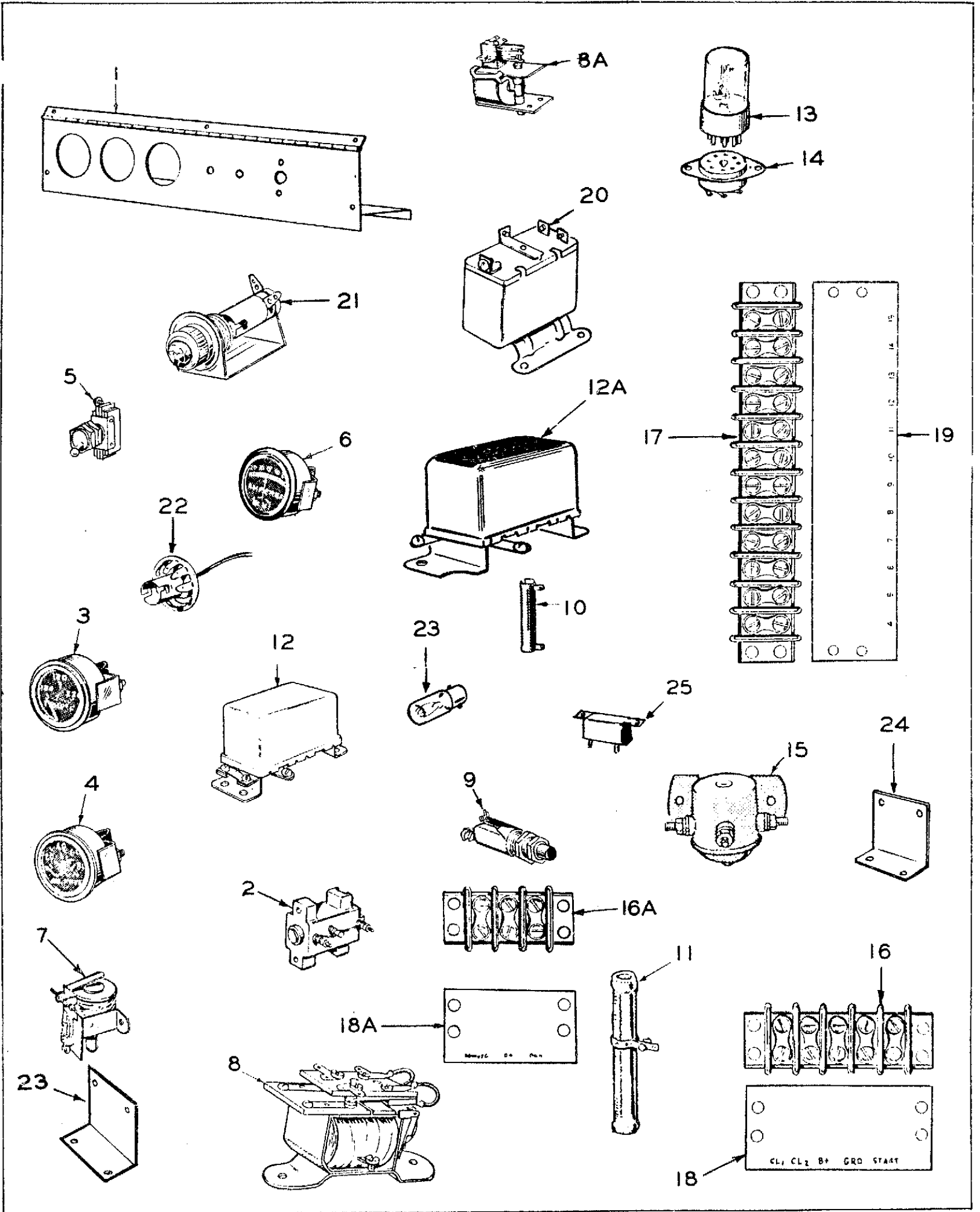


FIG. 4 - CONTROL GROUP - Engine Instruments

A7

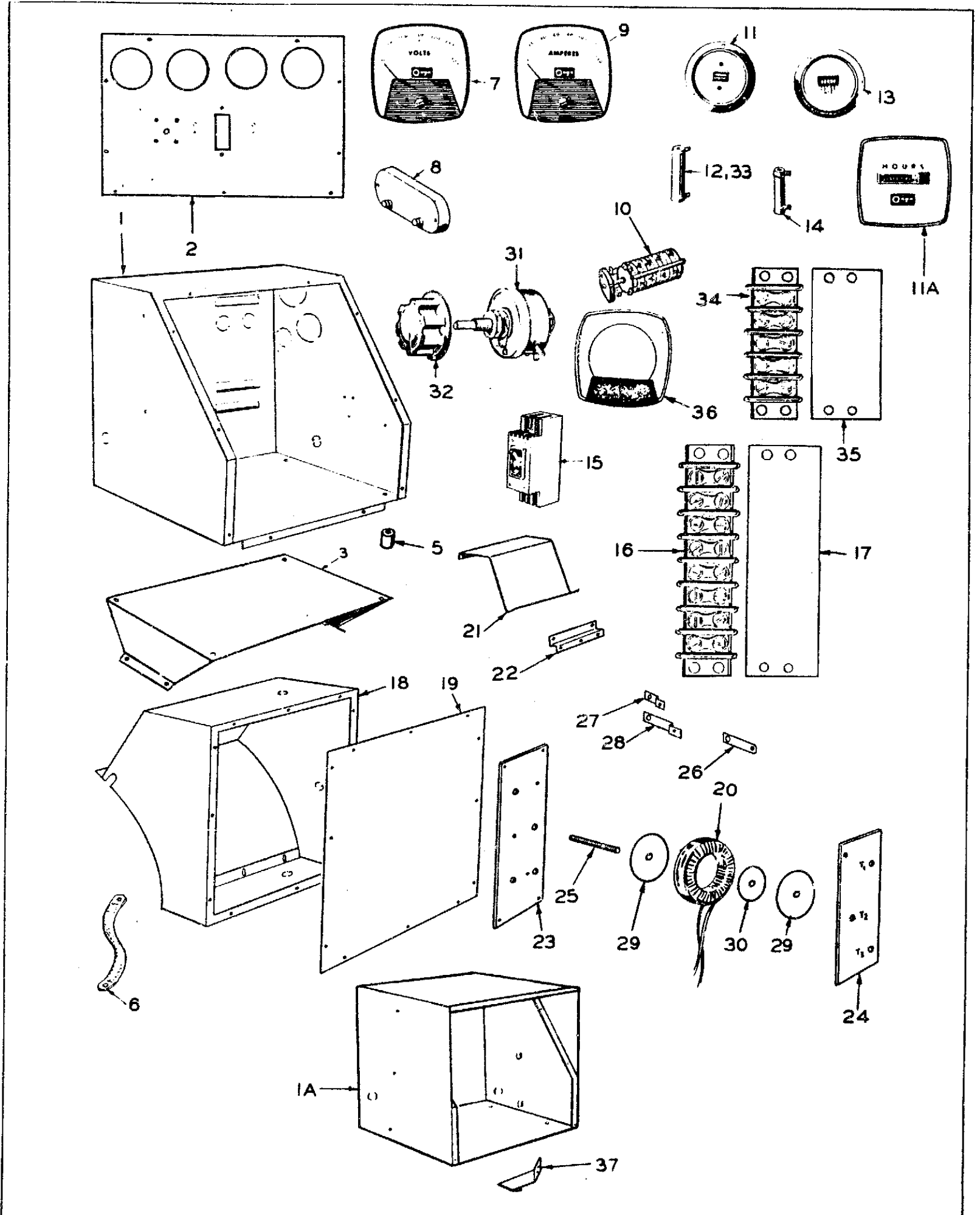


FIG. 5 - CONTROL GROUP - AC Cutput

A8

PARTS LIST

37

REF. NO.	PART NO.	QUANT. USED	DESCRIPTION
REPLACEMENT ENGINE			
100P246	1	1	<p>Engine, Replacement (Cummins Engine Company Model NHRS-6) General description:</p> <p><u>Includes</u> - Complete Cylinder Block; Fuel Pump; Air Cleaner; Fuel Filter; Oil Filter; Starter & Solenoid; Charge Generator & Voltage Regulator; Governor; Radiator; Water Pump; Fan Blades & Belt; Fan Guard; Exhaust Manifold; Flywheel Housing; Oil Cooler; and Engine Supports.</p> <p><u>Excludes</u> - Throttle Control; Engine Wiring; Water Temperature & Oil Pressure Gauge Senders; and Mounting Base.</p>

FIG. 1 - MOUNTING BASE, BATTERY CABLES & SENDER GROUP

1	403C559	1	Base, Mounting.
2			Shim, Generator to Mounting Base.
	232A1489	2	No. 16 Gauge (.0598).
	232A1490	2	No. 20 Gauge (.0359).
3			Cable, Battery.
	416A444	1	Positive.
	416A445	1	Negative.
4	416A446	1	Cable, Battery Jumper.
5	193A98	1	Sender, Oil Pressure Gauge (Engine Sending unit only).
6	193A100	1	Sender, Water Temperature Gauge (Engine Sending unit only).
7	309P64	1	Switch, Oil Pressure.
8	309B1	1	Switch, High Water Temperature Cut-off - Adjustable - Use 309A146.
8A	309A146	1	Switch, High Water Temperature Cut-off - Non-Adjustable - Replaces 309B1.
9	505-19	2	Bushing, Pipe Reducer (1/2 x 3/8) High Water Temperature Switch (1), Water Temperature Gauge Sender (1).
10	505-98	1	Nipple, Close (1/8 x 3/4") Oil Pressure Tee to Block.
11	505-59	1	Tee, Pipe (1/8") Oil Pressure Switch and Oil Gauge Sender Mounting.
12	312A58	2	Condenser - .1 Mfd. (1) Charge Generator, (1) Charge Regulator - Replaces 312A15.
13	502-218	1	Elbow, Male (5/8" x 1/2") Brass - Fuel Inlet to Injection Pump.
14	505-131	1	Bushing, Pipe Reducer (3/4 x 3/8") Radiator Outlet to Drain Valve.
15,16			Valve, Drain.
15	504-28	1	Radiator Drain.
16	504-3	1	Cylinder Water Jacket Drain.

PARTS LIST

REF. NO.	PART NO.	QUANT. USED	DESCRIPTION
FIG. 1 - MOUNTING BASE, BATTERY CABLES & SENDER GROUP (Cont.)			
17, 18			Clip, Harness - Engine Control Connections.
17	416A96	3	"U" Shaped - All Metal.
18	332-49	2	"O" Shaped - Metal with rubber insulator.
19	191A214	1	Connector, Starter Terminal (1"x2" Copper Strip).

FIG. 2 - GENERATOR GROUP (Alternator Portion)

NOTE: Output Terminal Box, Cover & Internal Parts are listed in the AC Output Control Group (Mounts on Side of Generator).

1	★	1	Rotor Assy, Incl. Brg., Blwr., & Dr. Assy.
2			Bearing
	510P63	1	To Spec "E"
	510P88	1	Begin Spec "E"
3	205C61	1	Blower.
4	★	1	Stator Assembly, Wound.
5	212C248	1	Rig Assembly, Brush - Includes Brushes & Springs.
6	212B1105	4	Spring, Brush.
7	214A56	4	Brush.
8	211D153	1	*Bell, End - Alternator to Exciter.
9	234D69	1	Baffle, Air.
10			Holder, Bearing - Anti-Rotation
	232A1186	1	To Spec "E".
	232A1808	1	Begin Spec "E".
11			Spring, Bearing Holder - Anti-Rotation
	232A1187	1	To Spec "E".
	232A1807	1	Begin Spec "E".
12	232D1396	1	Support, Generator Mounting
13	805-35	4	Bolt, Place - Generator Mtg. Support to End Bell
14	150A717	1	Switch Assembly, Overspeed
15	150A713	1	Bracket, Overspeed Switch - Includes Contact Point
16	234D70	1	Band, Generator - Front Portion (Narrow)
			Band, Generator - Rear Portion (Wide)
17	234D80	1	Upper Half - Prior to Spec "C".
17	234C136	1	Upper Half - Begin Spec "C".
18	234D79	1	Lower Half - Prior to Spec "C".
18	234C137	1	Lower Half - Begin Spec "C".
19	234A107	1	Bracket, Conduit Connector

★-Order by description, giving Model, Spec and Serial Number (ONAN Nameplate).
 *- To order end bell for plants prior to Spec "E", also order 232A1807 Ring, 232A1808 Spring, 510P88 Bearing, 526A17 Spacer, and 812-192Screw.

FIG. 3 - GENERATOR GROUP (Exciter Portion) Model 2SX

1			Cover, Exciter.
	234D73	1	Prior to Spec "C".
	234D116	1	Begin Spec "C".
2	232A1376	3	Bracket, Fastening - Exciter Cover to Alternator
			End Bell.

A10

PARTS LIST

REF. NO.	PART NO.	QUANT. USED	DESCRIPTION
FIG. 3 - GENERATOR GROUP (Exciter Portion) Model 2SX (Cont.)			
3	234D74	1	Panel Only, Exciter.
4			Rectifier Assembly, Power - Complete.
	305B206	1	Prior to Spec "C" (Includes four #305-205 Rectifiers plus wire and hardware).
	305B228	1	Begin Spec "C" (Includes two #305P233 and two #305P234 Rectifiers plus wire and hardware).
5,6			Rectifier Only, Power (Field).
5	305P234	4	Prior to Spec "C" (Included in Rectifier Assembly #305B206) - Replaces 305-205.
			Begin Spec "C".
5	305P233	2	Lower two - Negative (Included in Rectifier Assembly #305B228).
6	305P234	2	Upper two - Positive (Included in Rectifier Assembly #305B228).
7,8			Reactor, Voltage Control.
7	315B53	1	Prior to Spec "C" - 60-Cycle.
8	315A78	1	Begin Spec "C" - 60-Cycle.
8	315A80	1	50-Cycle.
9			Resistor, Voltage Control Reactor.
	304-443	1	Prior to Spec "C" (Included in Reactor Assembly #315B53).
	304P476	1	Begin Spec "C" (Included in Rectifier & Resistor Assembly #305B227).
10,11			Strip, Marker - Voltage Control Reactor Connections - Prior to Spec "C".
10	332A644	1	Marked +, C, -.
11	332A645	1	Marked 1, 2, 3, 4.
12,13			Bracket, Mounting - Voltage Control Reactor.
12	232B1404	1	Prior to Spec "C".
13	234B115	1	Begin Spec "C".
14	234B75	2	Bracket, Gate Reactor Mounting.
15	520A190	1	Stud, Fixed Resistor Mounting.
16	304A15	2	Washer, Fixed Resistor Centering.
17	304-442	1	Resistor, Fixed - Mounts to Gate Reactor Bracket.
18			Reactor, Gate.
	315A51	2	60-Cycle
	315A61	2	50-Cycle
19	232A1389	2	Retainer, Gate Reactor.
20	232A1403	2	Stud, Gate Reactor Mounting.
21	232B1388	2	Gasket, Gate Reactor Mounting.
22	232B1387	2	Gasket, Gate Reactor to Retainer.
23	232A1548	2	Gasket, Control Reactor Coil Mounting.
24, 25			Block, Terminal.
24	332A503	1	Prior to Spec "C" (8 Place).
25	332A532	1	Begin Spec "C" (5 Place).

PARTS LIST

REF. NO.	PART NO.	QUANT. USED	DESCRIPTION
FIG. 3 - GENERATOR GROUP (Exciter Portion) Model 2SX (Cont.)			
26,27			Strip, Terminal Block Marker.
26	332A643	1	Prior to Spec "C" - For 8 Place Block.
27	332A693	1	Begin Spec "C" - For 5 Place Block.
28,29			Rectifier, Voltage Control Reactor.
28	305-203	4	Prior to Spec "C" (Included in Reactor Assembly #315B53).
29	305P240	4	Begin Spec "C" (Included in Rectifier & Resistor Assembly #305B227) - Replaces 305P218.
30	305B227	1	Resistor Assy., Rectifier & (Includes #304P476 Resistor and (4) Rectifiers #305P218) - Begin Spec "C".

FIG. 4 - CONTROL GROUP (Engine Instruments Portion)

1			Panel Only, Lower Control -
	301C1672	1	Prior to Spec "D".
	301C2124	1	Begin Spec "D".
2	320A104	1	Limiter, Cranking.
3	193B112	1	Gage, Water Temperature (Panel Unit Only).
4	193B111	1	Gage, Oil Pressure (Panel Unit Only).
5			Switch, Toggle -
	308P2	1	Panel Lights - Begin Spec "D".
	308P2	1	RUN, STOP, AUTOMATIC - Prior to Spec "D".
	308P138	1	RUN, STOP, REMOTE - Begin Spec "D".
6	302A61	1	Ammeter, Charge (30-0-30)
7			Relay, Time Delay.
	307A388	1	Prior to Spec "F".
	307A899	1	Begin Spec "F".
8,8A			Relay, Emergency Stop -
8	307B299	1	Prior to Spec "D".
8A	307A655	1	Begin Spec "D" - Latching.
9	308-91	1	Button, Emergency Stop Re-set - Prior to Spec "D".
10			Resistor, Fixed -
	304A446	2	(1) Water Temperature Gauge, (1) Oil Pressure Gauge (150 Ohm, 10 Watts) 5/16 x 1-3/4".
	304A262	3	(1) Start-Disconnect Relay (2) Emergency Stop Relay (50 Ohm, 10 Watt) 5/16 x 1-3/4" - Prior to Spec "D".
	304A262	1	Start-Disconnect Relay (50 Ohm, 10 Watt) 5/16 x 1-3/4" - Begin Spec "D".
	304A248	1	Time Delay Relay (100 Ohm, 10 Watt) 5/16 x 1-3/4" - prior to Spec "F".
	304A276	1	Between Fuel Solenoid Relay and Emergency Stop Relay (75 Ohm, 10 Watt) 5/16 x 1-3/4" - Begin Spec "D".
	304A62	1	Pilot Relay (25 Ohm, 25 Watt) 3/4 x 2" - Spec "D" through "E".

PARTS LIST

41

REF. NO.	PART NO.	QUANT. USED	DESCRIPTION
FIG. 4 - CONTROL GROUP (Engine Instruments Portion)			
11			Resistor, Adjustable -
	304A66	1	Between Start-Disconnect Relay and Cranking Limiter - 3/4 x 4".
	304A194	1	Between Fuel Solenoid Relay and Start-Disconnect Relay - 9/16 x 2" - Prior to Spec "F".
12,12A			Relay, Fuel Solenoid -
12	307B4	1	Prior to Spec "D".
12A	307B597	1	Begin Spec "D".
13			Relay, Cycle Cranking - Plug-in Type -
	307-509	1	Prior to Spec "D" - 15 Second Delay.
	307A697	1	Spec "D" through "E" - 10 Second Delay.
	307A753	1	Spec "D" through "E" - 5 Second Delay.
14	323-52	2	Socket, Cycle Cranking Relay - Prior to Spec "F" (Prior to Spec "D" 1 Only Used).
15	307-61	1	Relay, Pilot - Prior to Spec "F".
16,16A,17			Block, Terminal -
16	332A604	1	Remote Operation Connection (5 Place) - Prior to Spec "D".
16A	332A611	1	Remote Operation Connection (3 Place) - Begin Spec "D".
17	332A607	1	Engine Connection (12 Place).
18,18A,19			Strip, Block Marker -
18	332A679	1	For Remote Operation Block (Marked CL1, CL2, B+, GND., START) - Prior to Spec "D".
18A	332A762	1	For Remote Operation Block (Marked REMOTE B +, GND) - Begin Spec "D".
19	332A608	1	For Engine Connection Block (Marked 4 through 15).
20	307B52	1	Relay, Start-Disconnect.
21	322P69	1	Receptacle, Pilot Light - Begin Spec "D".
22	322P72	2	Receptacle, Panel Light - Begin Spec "D".
23	322P17	3	Bulb, (1) Pilot Light (2) Panel Lights - Begin Spec "D".
24	301A1685	1	Bracket, Time Delay Relay Mounting.
25	320P240	1	Breaker, Circuit - Starter Motor - Begin Spec "F".

FIG. 5 - CONTROL GROUP (AC Output Portion)

1,1A			Box Only, Control -
1	301D1537	1	Prior to Spec "D".
1A	301D2115	1	Begin Spec "D".
2	★	1	Panel Only, Upper Control.
3	301C1830	1	Bracket, Control Box Mounting - Single Piece (Replaces two piece brackets).
5	402A78	4	Rubber, Mounting - Control Box to Mounting Bracket

PARTS LIST

REF. NO.	PART NO.	QUANT. USED	DESCRIPTION
FIG. 5 - CONTROL GROUP (AC Output Portion) Cont.			
6	337A44	1	Strap, Ground.
7			Voltmeter, AC (Check VOLTMETER Scale - Select according to rating) -
	302P421	1	Voltmeter Scale Reads 0-300 - Replaces 302-41.
	302P422	1	Voltmeter Scale Reads 0-600 - Replaces 302-42.
	302P423	1	Voltmeter Scale Reads 0-750.
8	302-157	1	Multiplier, Meter (Resistor) Voltmeter to Selector Switch - Use only with 0-500 Scale Voltmeter (Used Prior to Spec "D").
9			Ammeter, AC (Check AMMETER Scale - Select According to Rating) -
	302P412	1	Ammeter Scale Reads 0-250.
	302P413	1	Ammeter Scale Reads 0-300 - Replaces 302-14.
	302P414	1	Ammeter Scale Reads 0-500.
	302P415	1	Ammeter Scale Reads 0-750 - Replaces 302-384.
10	308-22	1	Switch, Voltage and Current Selector.
11,11A			Meter, Running Time -
11	302-212	1	Prior to Spec "D" - 60 Cycle Plants - (NOTE: When used to replace #302-387 Meter on earlier 480 volt models, also order #304A125 Resistor.
	302-102	1	50 Cycle Plants
11A			Begin Spec "D" -
	302P465	1	For 120/208 Volt, 120/240 Volt, and 600 Volt - 3 Phase - 60 Cycle Plants - Begin Spec "D".
	302P466	1	For 220/380 Volt, 3 Phase, 60 Cycle Plants - Begin Spec "D".
	302P467	1	For 277/480 Volt, 3 Phase, 60 Cycle Plants - Begin Spec "D".
	302P469	1	For 220/380 Volt, 3 Phase, 50 Cycle Plants - Begin Spec "D".
12			Resistor, Running Time Meter -
	304A99	1	5,000 Ohm, 10 Watt (Used only with #302-212 Meter on 120/240 Volt, 3 Phase Plants - Prior to Spec "C").
	304A125	1	15,000 Ohm, 25 Watt (Used only with #302-212 Meter on 480 Volt Plants - Prior to Spec "D").
	304A445	1	6,500 Ohm, 25 Watt (Used only with #302-387 Meter on early 480 Volt Plants - Prior to Spec "D").
	304A536	1	9,000 Ohm, 50 Watt (Used only with #302P465 Meter on 600 Volt Plants - Begin Spec "D").
13			Meter, Frequency -
	302-213	1	60 Cycle Plants.
	302-234	1	50 Cycle Plants.

PARTS LIST

REF. NO.	PART NO.	QUANT. USED	DESCRIPTION
FIG. 5 - CONTROL GROUP (AC Output Portion) Cont.			
14	304A305	1	Resistor, Frequency Meter - 45, 000 Ohm, 10 Watt (Used only on 480 Volt, 3 Phase, 3 Wire Plants and 220/380 Volt, 3 Phase, 4 Wire Plants Begin Spec "D").
	304A125	1	15, 000 Ohm, 25 Watt (Used only on 120/240 Volt, 3 Phase, 4 Wire Plants Prior to Spec "C" and 220/380 Volt, 3 Phase, 4 Wire Plants Begin Spec "D").
	304A402	1	60, 000 Ohm, 10 Watt (Used only on 600 Volt, 3 Phase, 3 Wire Plants Begin Spec "D").
15			Breaker, Circuit -
	320B2	1	15 Amp - Prior to Spec "D".
	320B170	1	18 Amp - Begin Spec "D".
16	332A503	1	Block, Terminal (8 Place).
17	332A601	1	Strip, Block Marker (Marked 15 through 22).
18	301E1682	1	Box Only, Output Terminal - Mounts on Side of Generator.
19	301C1683	1	Cover, Output Terminal Box.
20			Transformer, Current (Mounts in Output Terminal Box) Check TRANSFORMER Nameplate - Select according to rating -
	302B107	3	Transformer Nameplate Reads "Ratio 300/5" (Use with 0-300 Scale AC Ammeter).
	302B385	3	Transformer Nameplate Reads "Ratio 750/5" (Use with 0-750 Scale AC Ammeter).
	302B209	3	Transformer Nameplate Reads "Ratio 250/5" (Use with 0-250 Scale AC Ammeter).
	302B372	3	Transformer Nameplate Reads "Ratio 500/5" (Use with 0-500 Scale AC Ammeter).
			Bracket, Current Transformer Bottom Panel Mounting (Bolt to Generator Frame) - Prior to Spec "C" -
21,22			
21	232C1391	1	Upper (Large).
22	232C1390	1	Lower (Small).
23,24			Panel Only, Current Transformer - Prior to Spec "C" -
23	232C1418	1	Bottom Panel - Current Transformer Mounting (Mounts Output Terminal Studs).
24	232B1419	1	Top Panel - Current Transformer - Prior to Spec "C".
25	232A1420	4	Stud, Output Terminal - Copper (7/8-14 x 6-1/2") - Prior to Spec "C".
26	337A58	1	Strap, Output Terminal - Copper - Terminal Stud to Ground (3-3/8" x 1-1/2") Prior to Spec "C".
27	232A1416	1	Strap, Output Terminal - Copper - GROUNDED Stud to Machine Screws (2-3/4" x 1-1/2") Prior to Spec "C".
28	232A1415	3	Strap, Output Terminal - Copper - UNGROUNDED Studs to Machine Screw (4-1/4" x 1-1/2") Prior to Spec "C".

PARTS LIST

REF. NO.	PART NO.	QUANT. USED	DESCRIPTION
FIG. 5 - CONTROL GROUP (AC Output Portion) Cont.			
29	508A81	6	Washer, Neoprene Insulating - Current Transformer Mounting (4-1/2" O.D.) - Prior to Spec "C".
30	508A83	3	Washer, Fibre - Current Transformer Mounting 2-1/4" O.D.) - Prior to Spec "C".
31	303-111	1	Rheostat Voltage Regulator - 175 Ohm, Model H - Begin Spec "C".
32	303-32	1	Knob, Rheostat - Begin Spec "C".
33	304A484	1	Resistor, Fixed - Rheostat (825 Ohm, 75 Watt) Begin Spec "C".
34	332A604	1	Block, Terminal - Exciter Connections - (5 Place) - Begin Spec "C".
35	332A690	1	Strip, Block Marker (5 Place) - Begin Spec "C".
36	302B448	As Req.	Plate, Meter Face - For appearance only - to give round meter a square look.
37	301A1914	1	Bracket, Panel Stop - Begin Spec "D".