

The following catalog has gaps in its page numbers, or doesn't have any numbers. We have chosen to leave the page numbering in the order that Acrobat assigns it.

960-1007 (8-79)

SUPPLEMENTARY PARTS LIST

This Supplementary Parts List Applies to the Standard LDFM Models as listed below. Use these parts in place of/or in addition to those listed in Main Parts Catalog, 960-0220.

SET DATA TABLE

MODEL AND SPEC NO.	ELECTRICAL DATA				
	WATTS	VOLTAGE	PHASE	WIRE	HERTZ
200.0 LDFM-517R/*	200,000	#	3	12	50
236.0 LDFM-17R/*	236,000	#	3	12	60

* - The Specification Letter Advances (A to B, B to C. etc.) with Manufacturing Changes.

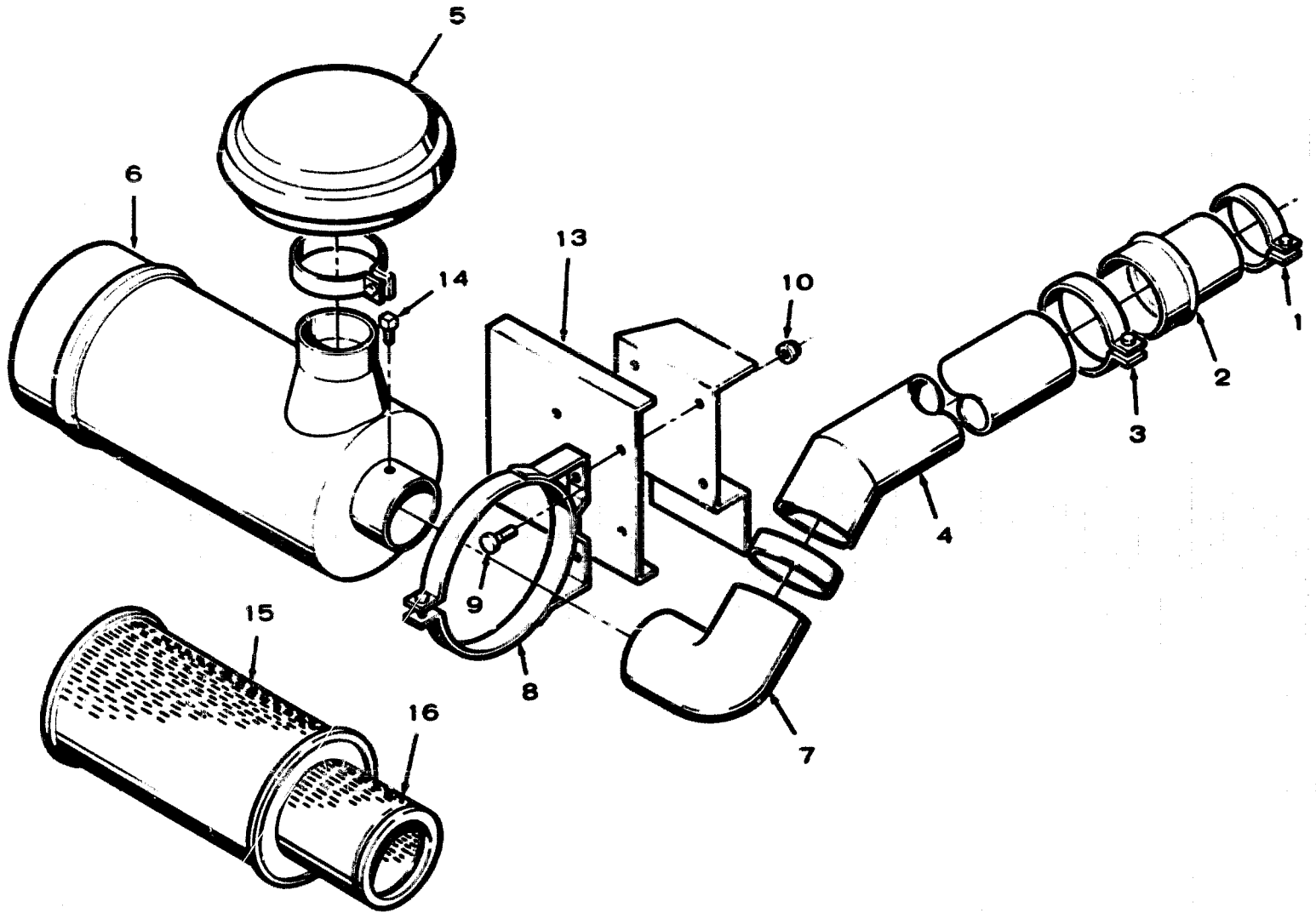
- These sets are Broad Range Reconnectable; Refer to Connection Diagram inside Control Box Cover.

100-1579 1 Engine, Replacement

AIR CLEANER PARTS

<u>REF. NO.</u>	<u>PART NO.</u>	<u>QTY. USED</u>	<u>PART DESCRIPTION</u>
1	503-0863	1	Clamp, Hose
2	503-0862	1	Reducer, Tube
3	503-0864	3	Clamp, Hose
4	140-1544	1	Tube, Air Cleaner
5	140-1545	1	Hood, Air Inlet
6	140-1537	1	Cleaner, Air (Includes Elements)
7	503-0861	1	Elbow
8	140-0757	2	Clamp, Air Cleaner
9	900-0050	6	Screw, Cap-Hex Head -(3/8-16 X 1" Long)
10	870-0281	6	Nut, Hex - Self Locking -(3/8-16)
11	801-0119	2	Screw, Cap - Hex Head -(5/8-18 X 1" LG)
12	850-0070	2	Washer, Lock-Spring - (5/8")
13	140-1546	1	Bracket, Air Cleaner
14	140-1548	1	Indicator, Service
15	140-1631	1	Element, Air Cleaner (Primary)
16	140-1630	1	Element, Air Cleaner (Safety)

AIR CLEANER PARTS



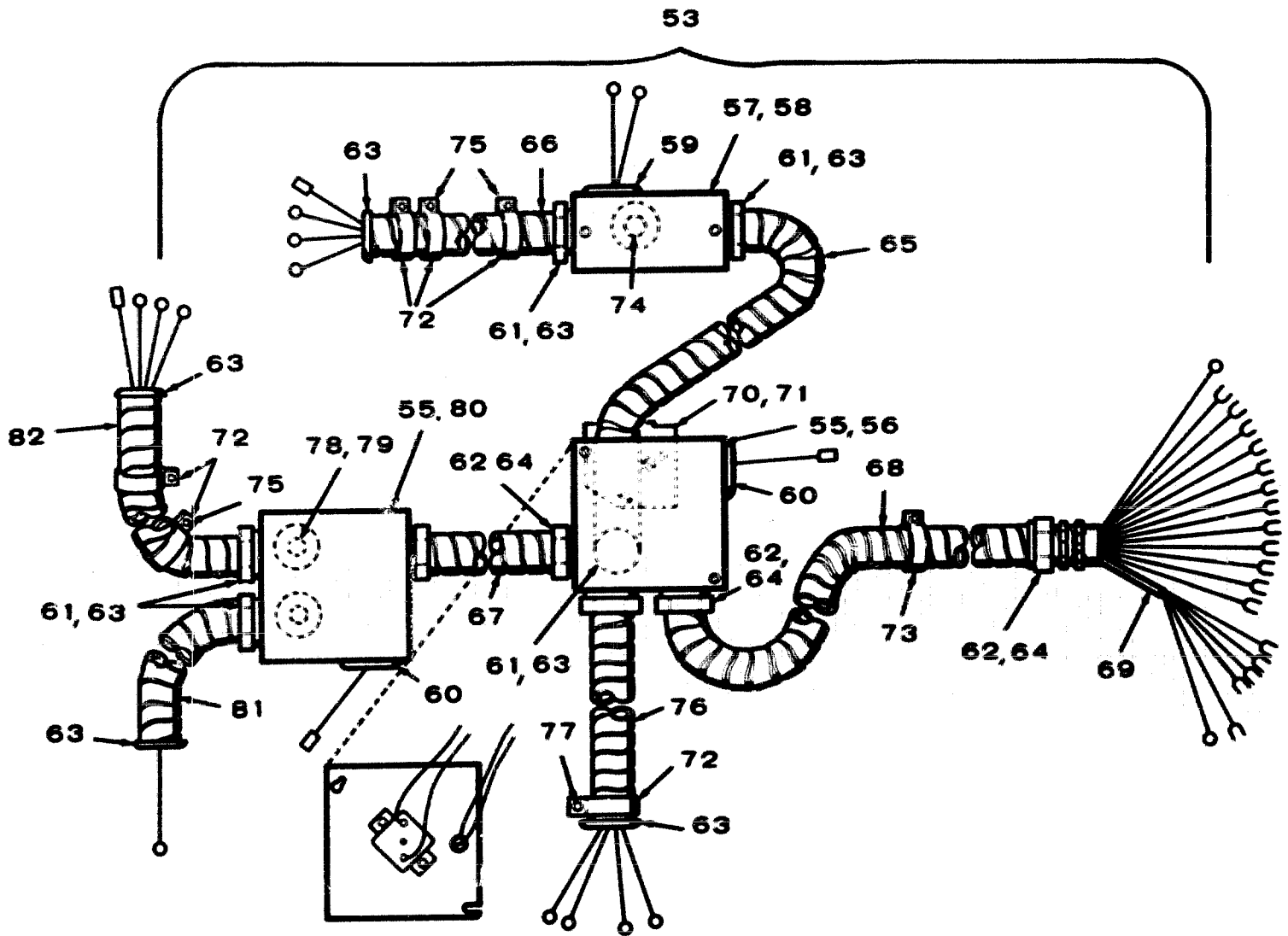
MISCELLANEOUS ENGINE PARTS

<u>REF. NO.</u>	<u>PART NO.</u>	<u>QTY. USED</u>	<u>PART DESCRIPTION</u>
53	338-1161	1	Harness, Engine Wiring (Includes Parts Marked +)
55	330-0093	1	+ Box, Outlet
56	330-0099	1	+ Cover Assembly, Outlet Box
57	330-0094	1	+ Box, Outlet
58	330-0004	1	+ Cover, Outlet Box
59	508-0001	1	+ Grommet
60	508-0009	1	+ Grommet
61	331-0149	3	+ Connector
62	331-0150	3	+ Connector
63	508-0201	4	+ Bushing
64	508-0202	4	+ Bushing
65	331-0190	1	+ Conduit, Flex
66	331-0146	1	+ Conduit, Flex
67	331-0184	1	+ Conduit, Flex
68	331-0148	1	+ Conduit, Flex
69	338-0989	1	+ Harness, Governor
70	330-0097	1	+ Bracket, Mounting
71	821-0010	2	+ Screw, Cap - Locking Head ($\frac{1}{2}$ -20 X $\frac{1}{2}$ " Long)
72	331-0180	6	+ Strap, Half
73	331-0181	1	+ Strap, Half
74	800-0088	1	+ Screw, Cap-Hex Head - ($\frac{1}{2}$ -13 X $\frac{3}{4}$ " Long)
75	800-0048	3	+ Screw, Cap-Hex Head - ($\frac{3}{8}$ -16 X $\frac{3}{4}$ " LG)
76	331-0155	1	+ Conduit, Flex
77	801-0048	1	+ Screw, Cap-Hex Head - ($\frac{3}{8}$ -24 X $\frac{3}{4}$ " LG)
78	801-0099	2	+ Screw, Cap-Hex Head - ($\frac{9}{16}$ -18 X $\frac{3}{4}$ " LG)
79	526-0198	3	+ Washer, Flat ($\frac{5}{8}$ ID X $1\frac{1}{2}$ " OD X $\frac{1}{16}$ " Thick)
80	330-0100	1	+ Cover, Outlet Box
81	331-0154	1	+ Conduit, Flex
82	331-0182	1	+ Conduit, Flex
	151-0423	1	* Actuator, Governor (B.C. # 11003-0-0-24)
	151-0399	1	* Control (Includes Mtg. Screw) - (B.C. # DYN1-1000-2-0-24)
	151-0441	1	* Lower, Actuator (B.C. # DYNC-208)
	151-0442	1	* Rod, Threaded (B.C. # GYRF-43-1)
	151-0443	2	* Bearing, Rod End (B.C. # DYN2-47-2)
	151-0411	1	* Pickup, Magnetic (B.C. # DYNT-10200)
		1	* Bracket, Actuator Mtg. (B.C. # DYN2-68)

* - Check for Barber-Colman numbers when ordering parts.

+ - Parts Included in 338-1161 Wiring Harness.

MISCELLANEOUS ENGINE PARTS



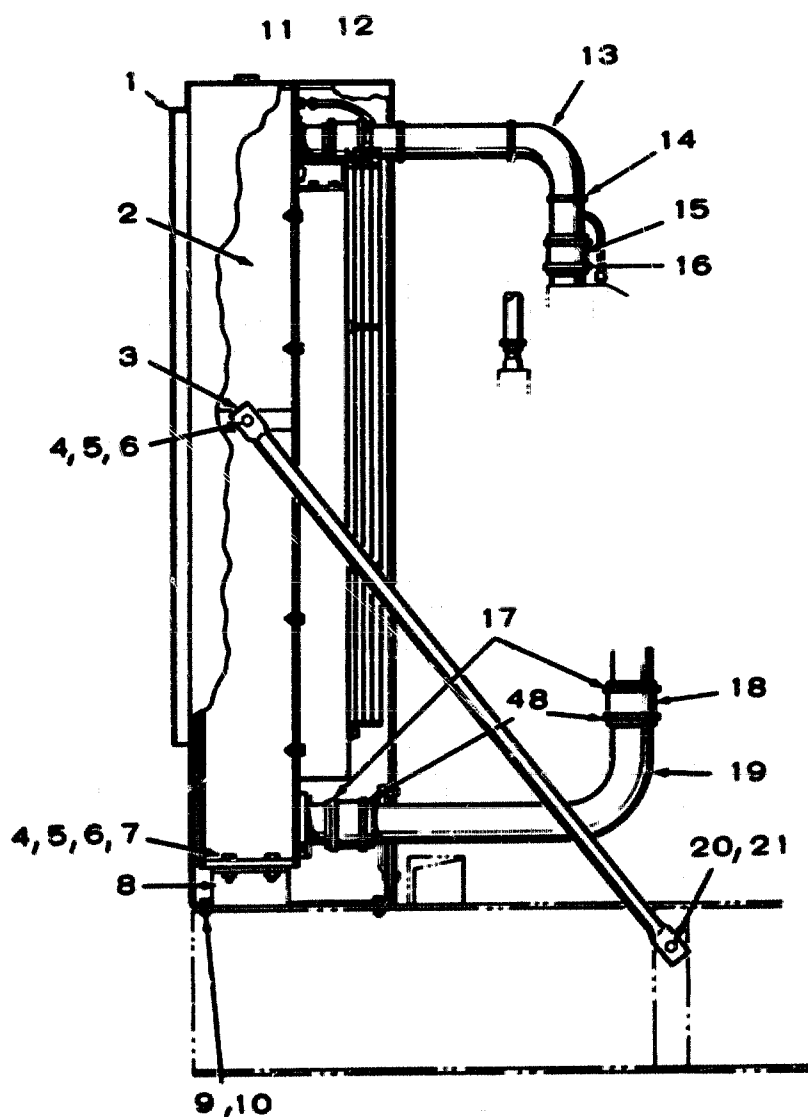
COOLING SYSTEM

<u>REF. NO.</u>	<u>PART NO.</u>	<u>QTY. USED</u>	<u>PART DESCRIPTION</u>
1	405-2228	1	Panel, Front End
2	130-1239	1	Radiator (Includes Cap)
3	130-1293	2	Brace, Radiator Support
4	800-0133	8	Screw, Cap -Hex Head - (5/8-11 X 1" Long)
5	526-0004	12	Washer, Flat (11/16" ID X 1-3/4" OD X 9/64" Thick)
6	850-0070	8	Washer, Lock Spring - (5/8")
7	826-0007	6	Nut, Hex - (5/8-11)
8	130-1292	2	Bracket, Radiator Support
9	821-0023	4	Screw, Cap-Locking Head - (5/16-18 X 1 1/2" Long)
10	870-0257	4	Nut, Hex - Self Locking - (5/16-18)
11	502-0184	1	Connector
12	501-0087	1	Hose, Flex
13	130-1306	1	Tube, Radiator Outlet
14	332-0941	3	Tie, Cable
15	503-0904	2	Hose
16	503-0999	4	Clamp, Hose
17	503-0998	2	Clamp, Hose
18	503-0906	2	Hose
19	130-1300	1	Tube, Radiator Outlet
20	821-0029	10	Screw, Cap Locking Head (3/8-16 X 3/4" Long)
21	870-0281	10	Nut, Hex - Self Locking - (3/8-16)
22	130-1309	1	Shroud, Fan
23	130-1013	1	Guard, Fan
24	821-0011	12	Screw, Cap - Locking Head - (1/2-20 X 7/8" Long)
25	526-0005	12	Washer, Flat (9/32" ID X 1-3/4" OD X 3/16" Thick)
26	821-0016	4	Screw, Cap Locking Head - (5/16-18 X 3/4" Long)
27	870-0257	4	Nut, Hex - Self Locking - (5/16-18)
28	405-2236	1	Bracket, Panel Mtg. (R.H.)
29	405-2237	1	Bracket, Panel Mtg. (L.H.)
30	800-0071	12	Screw, Cap-Hex Head - (7/16-14 X 1" LG)
31	850-0055	12	Washer, Lock - Spring - (7/16")
32	130-1194	2	Gasket, Radiator (Inlet)
33	130-1307	1	Cap, Radiator Inlet
34	130-1308	1	Bridge, Fan Shroud
35	504-0003	1	Valve, Drain
36	130-1193	1	Gasket, Radiator Outlet
37	130-1296	1	Adapter, Radiator, Outlet
38	800-0092	4	Screw, Cap - Hex Head - (1/2-13 X 1 1/2" LG)
39	526-0028	4	Washer, Flat (9/16" ID X 15/16" OD X 1/16" Thick)
40	850-0060	4	Washer, Lock - Spring (1/2")
41	862-0016	4	Nut, Hex - (1/2-13)
42	130-1299	1	Adapter, Inlet Tube
43	503-0853	1	Hose
44	503-0429	2	Clamp, Hose
45	505-0759	1	Adapter, Pipe

COOLING SYSTEM

<u>REF NO.</u>	<u>PART NO.</u>	<u>QTY. USED</u>	<u>PART DESCRIPTION</u>
46	130-1007	2	Foam, Insulation
47	130-1006	2	Foam, Insulation
48	503-0867	2	Clamp, Hose
	130-0449	1	Cap, Radiator

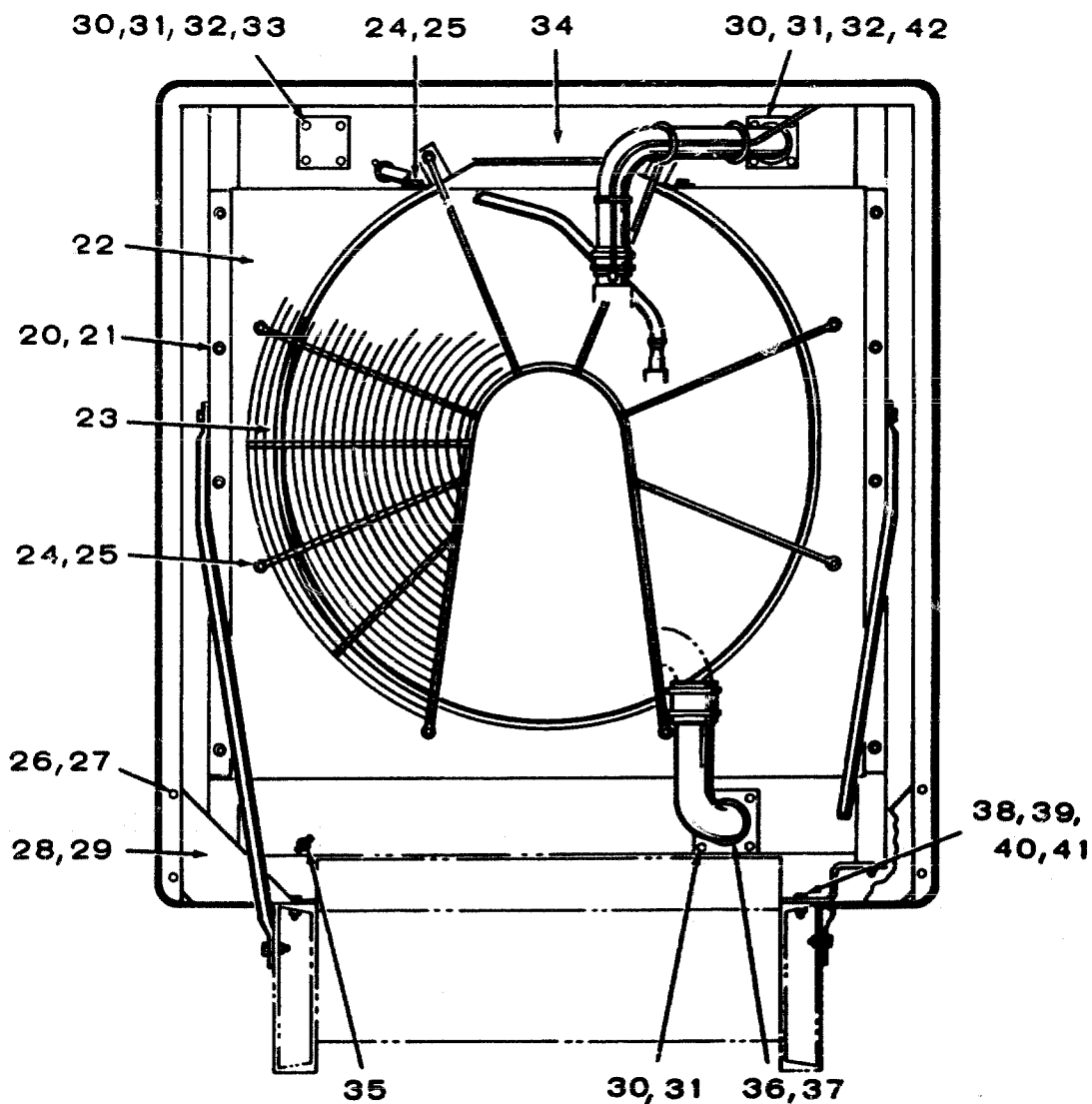
COOLING SYSTEM - SIDE VIEW



GENERATOR

<u>REF. NO.</u>	<u>PART NO.</u>	<u>QTY. USED</u>	<u>PART DESCRIPTION</u>
35	509-0151	1	Seal "O" Ring
36	234-0490	1	Grille, Air Inlet

COOLING SYSTEM - FRONT VIEW



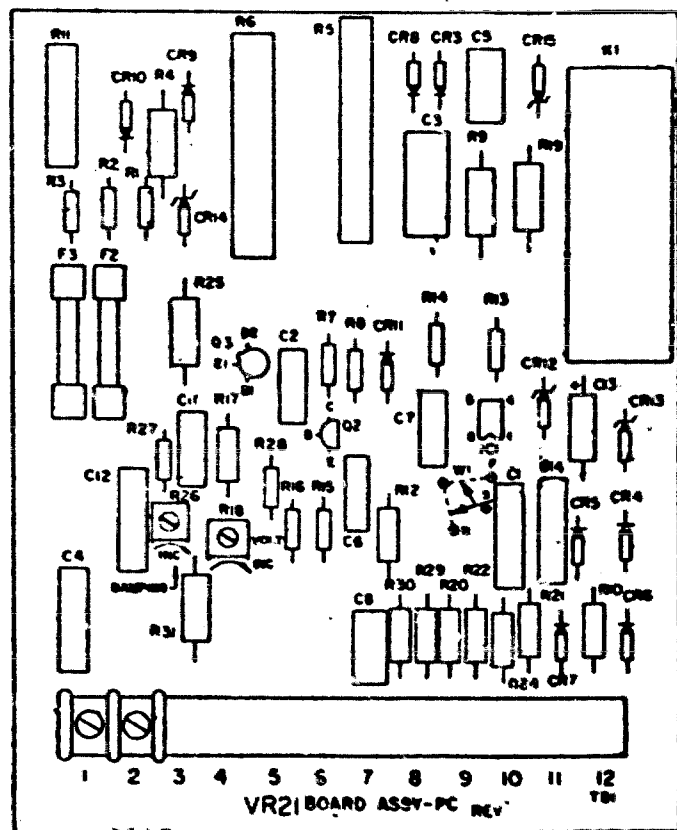
CHASSIS

<u>REF. NO.</u>	<u>PART NO.</u>	<u>QTY. USED</u>	<u>PART DESCRIPTION</u>
14	403-1418	1	Skid, Base

CONTROL - (AC PORTION)

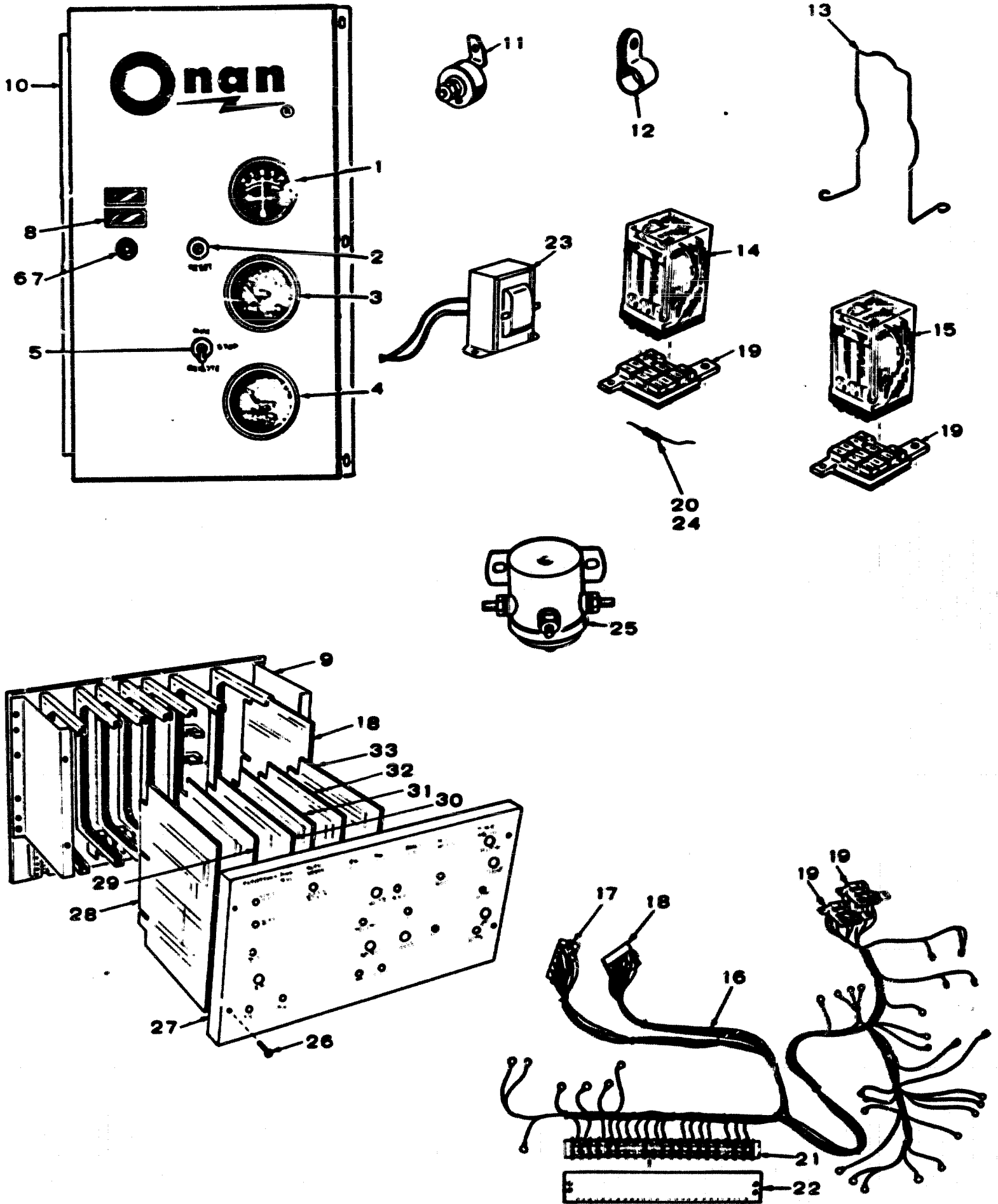
<u>REF. NO.</u>	<u>PART NO.</u>	<u>QTY. USED</u>	<u>PART DESCRIPTION</u>
1	301-4668	1	Box, Control
22	332-2044	1	Regulator Board, Voltage (See separate group for Components)
	321-0223	5	Fuse, 15 Ampere
	321-0177	1	Block, Fuse
	321-0176	1	Block, Fuse
	338-1104	1	Harness, Wiring
	151-0402	1	Potentiometer, Governor Adj.

VOLTAGE REGULATOR BOARD ASSEMBLY



REF. NO.	PART NO.	QTY. USED	PART DESCRIPTION
	332-1954	1	Printed Circuit Board
C1,14	355-0042	2	Capacitor - 47 Mfd., 250 Volt
C2,7	355-0043	2	Capacitor - .22 Mfd, 250 Volt
C3	355-0047	1	Capacitor - .47 Mfd, 400 Volt
C4,12	355-0044	2	Capacitor - .47 Mfd, 250 Volt
C5,8	355-0046	2	Capacitor - 1 Mfd, 100 Volt
C6	355-0056	1	Capacitor - .33 Mfd, 250 Volt
C11	355-0048	1	Capacitor - .1 Mfd, 400 Volt
C13	356-0039	1	Capacitor - Electrolytic, 100 Mfd, 10 Volt
CR3 thru 11	357-0014	9	Rectifier - Silicon
CR12	359-0036	1	Diode, Zener - 5.6 Volt
CR13	359-0025	1	Diode, Zener - 20 Volt
CR14	359-0026	1	Diode, Zener - 18 Volt
F1,2,3	321-0204	3	Fuse - 1.4 Amp
IC1	367-0005	1	Integrated Circuit
Q2	362-0017	1	Transistor - Silicon (NPN)
Q3	361-0004	1	Transistor - Unijunction
R1	350-0355	1	Resistor - 1/2 Watt, 47-Ohm
R2,3	350-0351	2	Resistor - 1/2 Watt, 33-Ohm
R4	350-1075	1	Resistor - 2 Watt, 4,700,000-Ohm
R5	353-0040	1	Resistor, Fixed - 10 Watt, 270-Ohm
R6	353-0039	1	Resistor, Fixed - 15 Watt, 5,000-Ohm
R7	350-0398	1	Resistor - 1/2 Watt, 3,000-Ohm
R8,16	350-0447	2	Resistor - 1/2 Watt, 330,000-Ohm
R10	351-0885	1	Resistor - 1/2 Watt, 51,000-Ohm
R11	352-0151	1	Resistor, Fixed - 5 Watt, 15,000-Ohm
R12	351-0909	1	Resistor - 1/2 Watt, 90,900-Ohm
R13	350-0411	1	Resistor - 1/2 Watt, 10,000-Ohm
R14	350-0443	1	Resistor - 1/2 Watt, 220,000-Ohm
R15,27	350-0435	2	Resistor - 1/2 Watt, 100,000-Ohm
R17	351-0293	1	Resistor - Metal Film - 1/4 Watt, 11,000-Ohm
R18	303-0210	1	Potentiometer - 1/2 Watt, 5,000-Ohm
R20,22,29 & 30	351-0520	4	Resistor - 1/4 Watt, 28,000-Ohm
R21	351-0522	1	Resistor, Metal Film - 1/4 Watt, 5,110,000-Ohm
R24	351-0523	1	Resistor, Metal Film - 1/4 Watt, 8,870,000-Ohm
R25,31	350-1011	2	Resistor - 2 Watt, 10,000-Ohm
R26	303-0211	1	Potentiometer - 1/2 Watt, 100,000-Ohm
R28	350-0568	1	Resistor - 1/2 Watt
TB1	332-1252	1	Terminal Block
CR15	359-0015	1	Diode, Zener - 24 Volt
	321-0163	6	Clip - Fuse
K1	307-1063	1	Relay - Magnetic Reed
R9	350-1014	1	Resistor - 2 Watt, 13,000-Ohm
R19	350-1007	1	Resistor - 2 Watt, 6,800-Ohm

CONTROL (ENGINE SECTION)

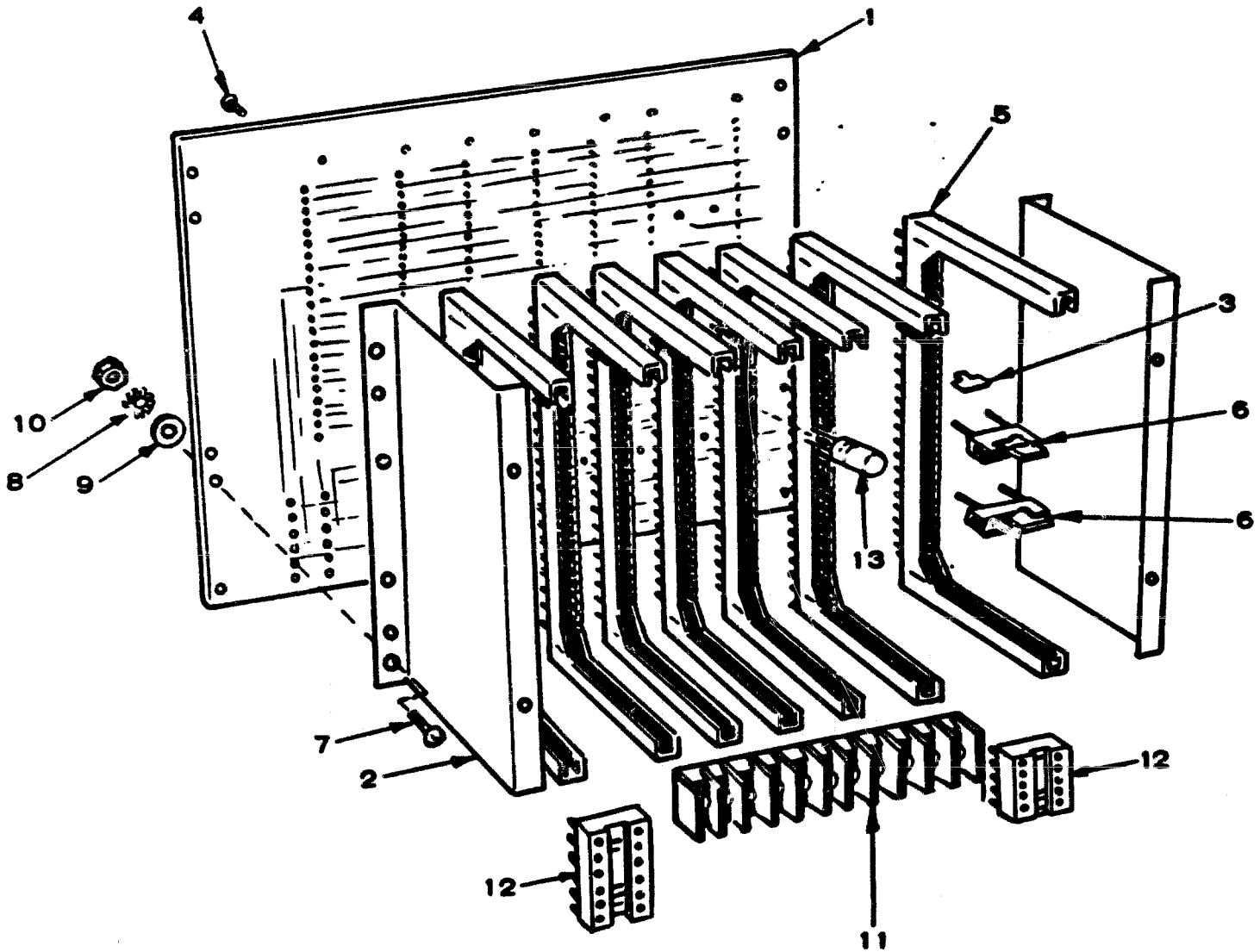


CONTROL (ENGINE SECTION)

REF. NO.	PART NO.	QTY. USED	PART DESCRIPTION	REF. NO.	PART NO.	QTY. USED	PART DESCRIPTION
1	302-0061	1	Ammeter (30-0-30)	16	338-1016	1	Harness, Wiring (Includes Parts Marked †)
2	308-0410	1	Switch, Push	17	332-0984	2	†Connector, Plug, Electrical (12 Pin)
3	193-0243	1	Gauge, Oil Pressure (0-80)	18	300-1579	1	*Module, Time Delay Start-Stop
4	193-0245	1	Gauge, Water Temperature	19	323-0765	2	†Socket, Relay
5	SWITCH, TOGGLE			20	357-0004	1	†Diode
	308-0220	1	Standard Sets	21	332-1005	1	†Board, Terminal (20 Place)
	308-0347	1	Penn State Sets	22	332-1559	1	Strip, Marker
6	321-0147	1	Fuse - 5 Amp	23	315-0361	1	Transformer, Step-down
7	321-0217	1	Fuseholder	24	357-0004	2	Diode
8	LIGHT, INDICATOR			25	307-0061	1	Relay - Start Solenoid
	322-0119	1	Overcrank	26	815-0387	4	Screw, Machine - Pan Head, Cross-Recessed Drive (#6-32 x 1/4")
	322-0120	1	Low Oil Pressure	27	301-4015	1	Cover, Access - Control Modules
	322-0121	1	High Engine Temperature	28	300-1573	1	*Module, Cycle Cranker
	322-0122	1	Low Engine Temperature	29	300-1574	1	*Module, Start-Disconnect
	322-0123	1	Overspeed	30	300-1575	1	*Module, Overspeed Control
	322-0135	1	Over Voltage	31	300-1576	1	*Module, Monitor No. 1
9	300-1572	1	*Chassis, Control	32	300-1577	1	*Module, Monitor No. 2
10	301-4692	1	Panel, Control	33	300-1578	1	*Module, Engine Shutdown
11	193-0250	2	Resistor, Gauge				
12	332-0052	1	Clamp, Loop				
13	307-1157	2	Spring, Hold-down - Relay				
14	307-1061	1	Relay, Armature - Starter Protection				
15	307-1056	1	Relay, Armature - Start Disconnect				

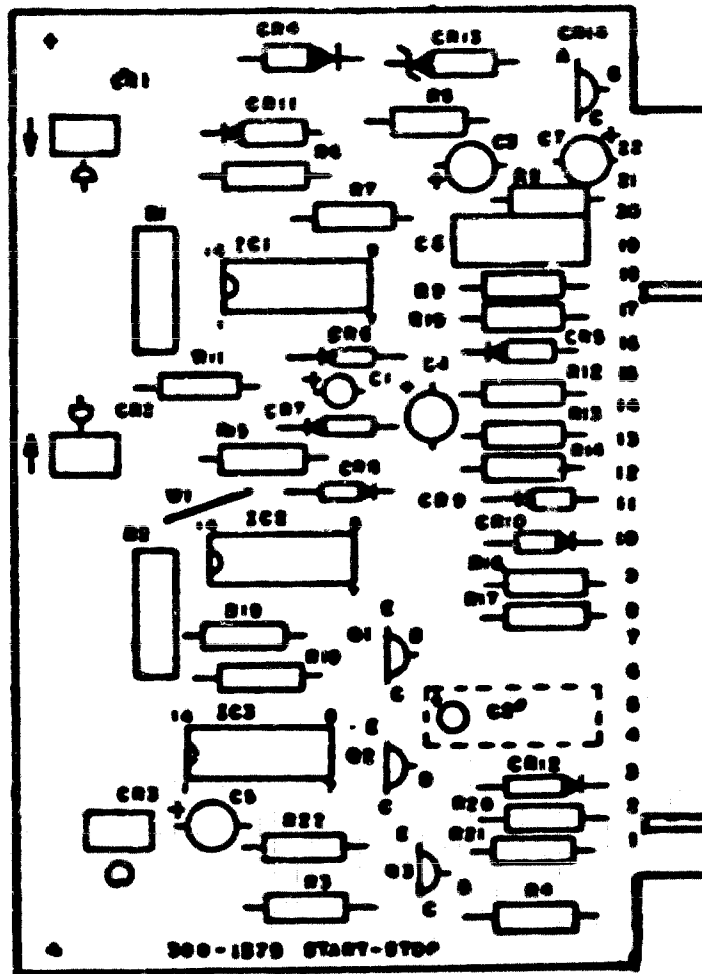
* - See Separate Group for Components.
† - Included in Wiring Harness.

CONTROL CHASSIS



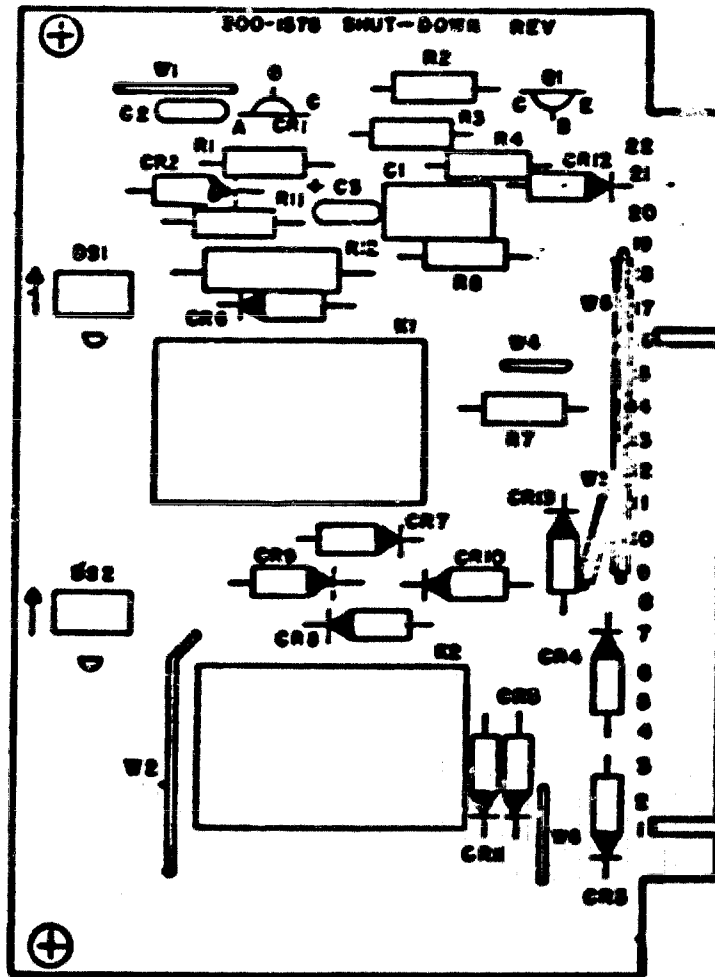
REF. NO.	PART NO.	QTY. USED	PART DESCRIPTION
	300-1572	1	Chassis, Control (Complete)
1	332-1884	1	Board, Printed Circuit
2	301-3880	2	Bracket, Module Cover Mtg.
3	332-1917	14	Plug, Keying
4	812-0029	14	Screw, Machine - Roundhead (#4-40 x 3/8" long)
5	332-1887	7	Socket Plug In Module
6	308-0324	2	Switch, Slide
7	812-0059	4	Screw, Machine - Roundhead (#6-32 x 1/4" long)
8	853-0003	4	Washer, Lock - External (#6)
9	526-0047	4	Washer, Flat (.147" ID x 5/16" OD x 1/32" Thk)
10	860-0006	4	Nut, Hex (#6-32)
11	332-1909	1	Block, Terminal (11 Place)
12	323-0983	2	Connector, Receptacle Electrical (12 Pin)
13	356-0068	1	Capacitor, Electrolytic (180 MFD - 40 Volt)

TIME DELAY START-STOP MODULE (300-1579)



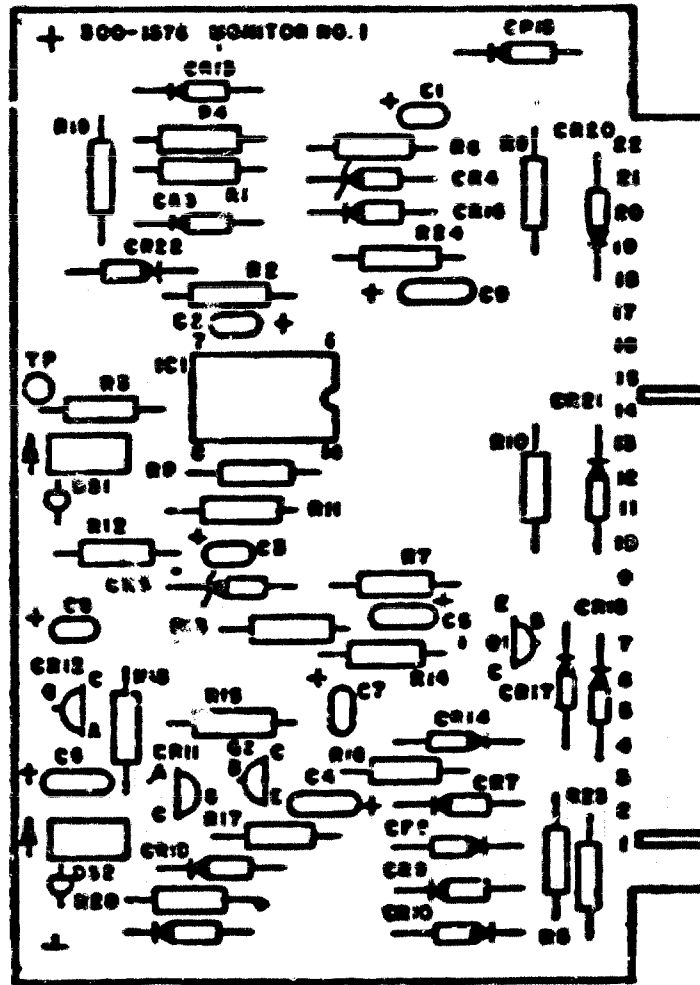
REF. NO.	PART NO.	QTY. USED	PART DESCRIPTION	REF. NO.	PART NO.	QTY. USED	PART DESCRIPTION
	300-1579	1	Module, Time Delay Start-Stop (Complete)	1C3	357-0017	1	Integrated Circuit, Counter 7 Stage
C1,2	356-0059	2	Capacitor, Electrolytic (2.2 Mfd., 35 Volt)	O1,2,3	362-0011	3	Transistor, Signal
C3,4,5	356-0051	3	Capacitor, Electrolytic (6.8 Mfd., 35 Volt)	R1,2	303-0169	2	Potentiometer (3.5 Megohm)
C6	355-0062	1	Capacitor, Composition (1 Mfd., 100 Volt)	R3,19	350-0418	2	Resistor (20,000-Ohm, 2 Watt)
C7	356-0053	1	Capacitor, Tantalum (1.0 Mfd., 35 Volt)	R7	350-0370	1	Resistor (200-Ohm, 1/2 Watt)
CR1	322-0172	1	Lamp, Indicator (Green)	R5,11,15,18	350-0548	4	Resistor (10,000-Ohm, 2 Watt)
CR2	322-0157	1	Lamp, Indicator (Red)	R6	350-0373	1	Resistor (470-Ohm, 1/2 Watt)
CR3	322-0171	1	Lamp, Indicator (Red-Green)	R8	350-0505	1	Resistor (2.7-Ohm, 1/2 Watt)
CR4-12	357-0004	9	Receptacle, Lamp (400 Volt, 400 MA)	R10,14,16,22	350-0394	4	Resistor (2,000-Ohm, 1/2 Watt)
CR13	359-0002	1	Diode, Zener (13 Volt, 400 MW)	R12	350-0443	1	Resistor (220,000-Ohm, 1/2 Watt)
CR14	364-0011	1	Rectifier, Gate Control	R13,17,20,21	350-0537	4	Resistor (12,000-Ohm, 2 Watt)
1C1,2	367-0016	2	Integrated Circuit, Timing	R4	350-0376	1	Resistor (360-Ohm, 1/2 Watt)
				R9	350-0524	1	Resistor (100-Ohm, 1/2 Watt)

SHUTDOWN MODULE (300-1578)



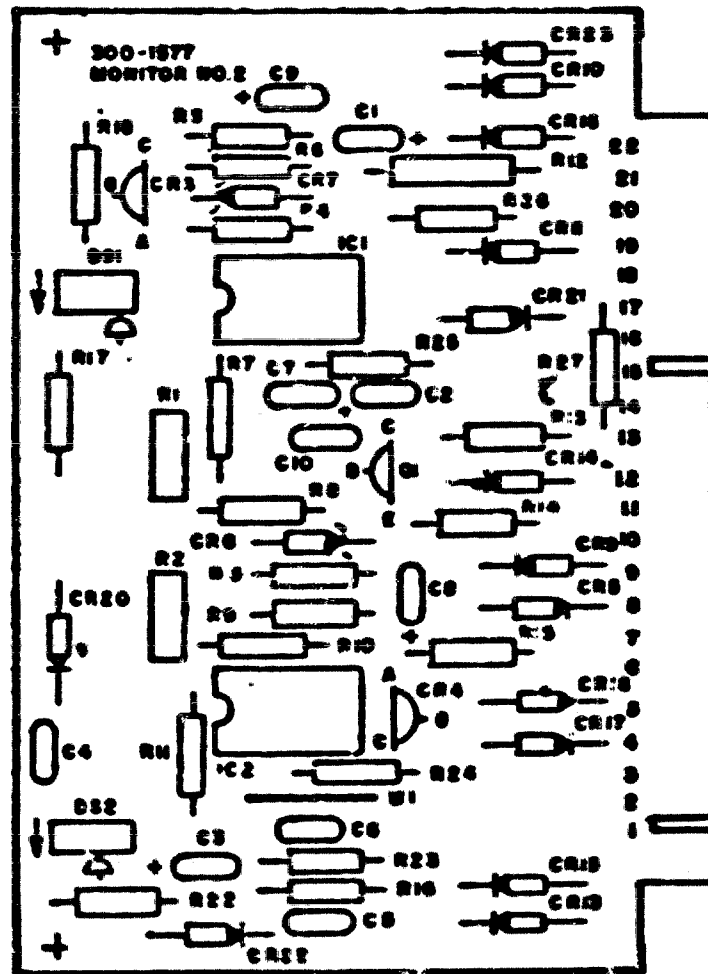
REF. NO.	PART NO.	QTY. USED	PART DESCRIPTION
	300-1578	1	Module, Shut Down (Complete)
C1	355-0045	1	Capacitor, Composition (1 Mfd., 200 Volt)
	322-0175	2	Receptacle, Lamp
DS1	322-0157	1	Lamp, Indicator (Red)
DS2	322-0172	1	Lamp, Indicator (Green)
C2	355-0041	1	Capacitor, Ceramic (.22 Mfd., 35 Volt)
C3	356-0051	1	Capacitor, Tantalum (6.8 Mfd., 35 Volt)
CR1	364-0011	1	Rectifier, Gate Control
CR2-13	357-0004	12	Rectifier, Diode (400 Volt, 400 MA)
K1,2	307-1076	2	Relay
Q1	362-0026	1	Transistor, Signal
R2	350-0398	1	Resistor (3,000-Ohm, 1/2 Watt)
R1	350-0505	1	Resistor (2.7-Ohm, 1/2 Watt)
R7	350-0533	1	Resistor (560-Ohm, 1/2 Watt)
R3	350-0529	1	Resistor (270-Ohm, 1/2 Watt)
R4	350-0540	1	Resistor (2,200-Ohm, 1/2 Watt)
R6	350-0379	1	Resistor (470-Ohm, 1/2 Watt)
R11,12	350-0393	2	Resistor (1,800-Ohm, 1/2 Watt)

MONITOR NUMBER ONE MODULE (300-1576)



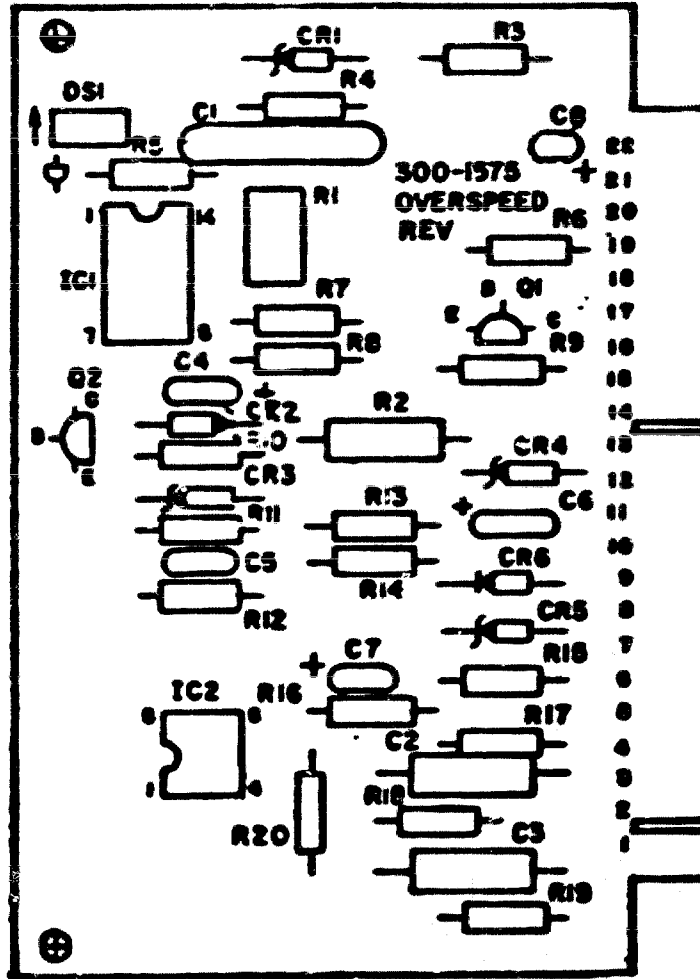
REF. NO.	PART NO.	QTY. USED	PART DESCRIPTION	REF. NO.	PART NO.	QTY. USED	PART DESCRIPTION
	300-1576	1	Module, Monitor Number One (Complete)	R1	350-0397	1	Resistor (2,700-Ohm, 1/2 Watt)
C1,2,3	356-0051	5	Capacitor, Electrolytic (6.8 Mfd., 35 Volt)	R2	350-0446	1	Resistor (300,000-Ohm, 1/2 Watt)
7,8				R3	350-0584	1	Resistor (10 Megohm, 1/2 Watt)
C4	356-0053	1	Capacitor, Tantalum (1 Mfd., 35 Volt)	R4,6	350-0536	2	Resistor (1,000-Ohm, 1/2 Watt)
C5,6,9	355-0041	3	Capacitor, Ceramic (.22 Mfd., 35 Volt)	R5,23	350-0404	2	Resistor (5,100-Ohm, 1/2 Watt)
CR3,7-10, 13-23	357-0004	16	Rectifier, Diode (400 Volt, 400 MA)	R7,18	350-0505	2	Resistor (2.7-Ohm, 1/2 Watt)
CR4	359-0026	1	Diode, Zener (18 Volt, 400 MW)	R8	350-0544	1	Resistor (4,700-Ohm, 1/2 Watt)
CR5	359-0002	1	Diode, Zener (13 Volt, 400 MW)	R9	350-0548	1	Resistor (10,000-Ohm, 1/2 Watt)
CR11,12	364-0011	2	Rectifier, Gate Control	R10,17	350-0529	2	Resistor (270-Ohm, 1/2 Watt)
DS1,2	322-0157	2	Lamp, Indicator (Red)	R11,15	350-0396	2	Resistor (3,000-Ohm, 1/2 Watt)
IC1	367-0016	1	Integrated Circuit, Timing	R12	350-0380	1	Resistor (510-Ohm, 1/2 Watt)
Q1,2	362-0026	2	Transistor, Signal	R13,14	350-0379	2	Resistor (470-Ohm, 1/2 Watt)
				R16	350-0540	1	Resistor (2,200-Ohm, 1/2 Watt)
				R19,20	350-0393	2	Resistor (18,000-Ohm, 1/2 Watt)
				R24	350-0451	1	Resistor (470,000-Ohm, 1/2 Watt)
					322-0175	2	Receptacle, Lamp

MONITOR NUMBER TWO MODULE (300-1577)



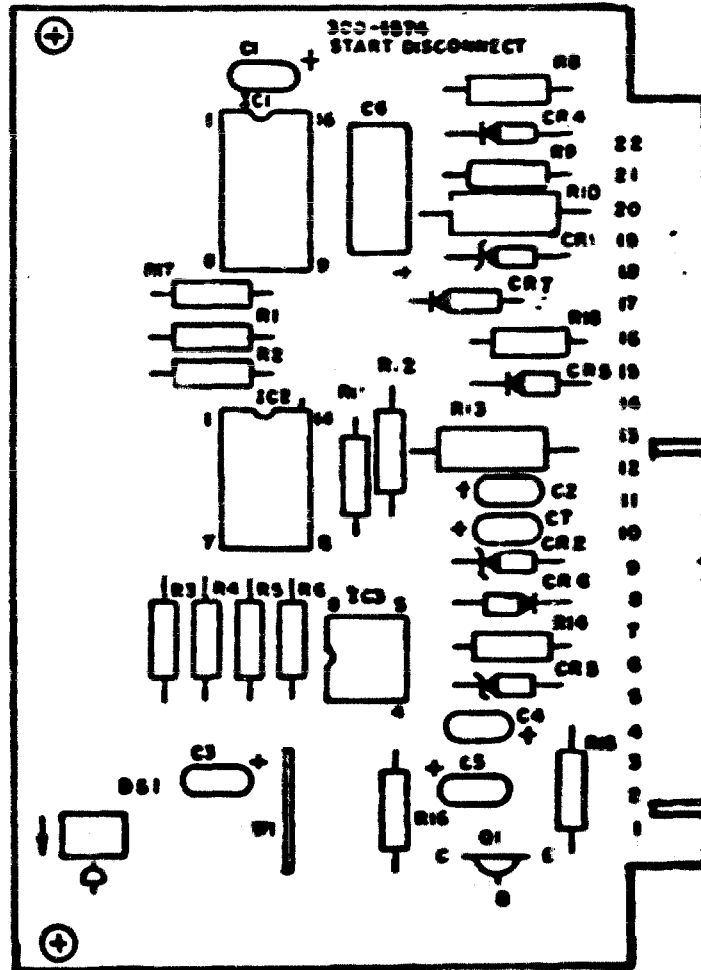
REF. NO.	PART NO.	QTY. used	PART DESCRIPTION
	300-1577	1	Module, Monitor Number Two
C1	356-0086	1	Capacitor, Electrolytic (47 Mfd.)
C2	356-0059	1	Capacitor, Electrolytic (2.2 Mfd., 35 Volt)
C3,8,9	356-0051	3	Capacitor, Electrolytic (6.8 Mfd., 35 Volt)
C4,5,6,7,10	355-0041	5	Capacitor, Ceramic (.22 Mfd.)
CR3,4	364-0011	2	Rectifier, Gate Control
CR5-9, 13-18,20-23	357-0004	14	Rectifier, Diode (400 Volt, 400 MA)
CR6	359-0016	1	Diode, Zener (6.8 Volt, 400 mW)
CR7	359-0033	1	Diode, Zener (14 Volt, 5 W)
IC1,2	367-0016	2	Integrated Circuit, Timing
DS1,2	322-0157	2	Lamp, Indicator (Red)
	322-0175	2	Recapitule, Lamp
Q1	362-0011	1	Transistor, Signal
R1,2	363-0169	2	Potentiometer (3.5 Megohm)
R3	350-0420	1	Resistor (24,000-Ohm, 1/2 Watt)
R4,7,10, 13,16	350-0548	5	Resistor (10,000-Ohm, 1/2 Watt)
R5,15	350-0379	2	Resistor (470-Ohm, 1/2 Watt)
R6,9	350-0398	2	Resistor (3,000-Ohm, 1/2 Watt)
R8	350-0418	1	Resistor (20,000-Ohm, 1/2 Watt)
R11	350-0486	1	Resistor (2 Megohm, 1/2 Watt)
R12	350-0672	1	Resistor (240-Ohm, 1/2 Watt)
R14	350-0389	1	Resistor (1,200-Ohm, 1/2 Watt)
R17,18	350-0393	2	Resistor (1,800-Ohm, 1/2 Watt)
R22,23	350-0505	2	Resistor (2,700-Ohm, 1/2 Watt)
R24,25,27	350-0451	3	Resistor (470,000-Ohm, 1/2 Watt)
R26	350-0421	1	Resistor (27,000-Ohm, 1/2 Watt)

OVERSPEED MODULE (300-1575)



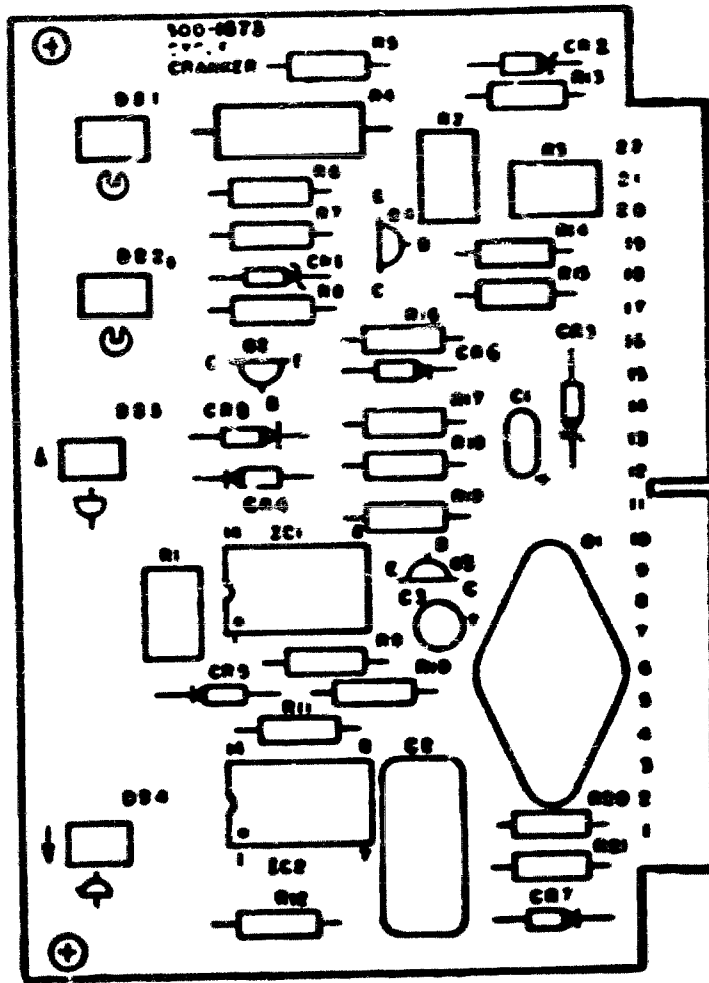
REF. NO.	PART NO.	QTY. USED	PART DESCRIPTION	REF. NO.	PART NO.	QTY. USED	PART DESCRIPTION
C1	300-1575 355-0043	1	Module, Overspeed (Complete)	CR6	357-0004	1	Rectifier, Diode (400 Volt, 400 MA)
C2,3	355-0010	2	Capacitor, Composition (22 Mfd., 200 Volt)	DS1	322-0172	1	Lamp, Indicator (Green)
C4,8	356-0051	2	Capacitor, Composition (.0022 Mfd., 100 Volt)	IC1	322-0175	1	Receptacle, Lamp
C5	355-0049	1	Capacitor, Electrolytic (6.8 Mfd., 35 Volt)	1C1	367-0002	1	Integrated Circuit
C6,7	356-0066	2	Capacitor, Electrolytic (6.8 Mfd., 35 Volt)	1C2	367-0001	1	Integrated Circuit
CR1,3	359-0016	2	Capacitor, Ceramic (22 Mfd., 1000 Volt)	O1,2	362-0011	2	Transistor, Signal
CR2	359-0017	1	Diode, Zener (6.8 Volt, 400,000 Watt)	R1	303-0191	1	Potentiometer (5,000-Ohm, 4 Watt)
CR4	359-0032	1	Diode, Zener (5.1 Volt, 400 MW)	R2	350-0883	1	Resistor (680-Ohm, 1 Watt)
CR5	359-0002	1	Diode, Zener (8.2 Volt, 400 MW)	R3	350-0379	1	Resistor (470-Ohm, 2 Watt)
			Diode, Zener (13 Volt, 400 MW)	R4,6,7	350-0411	7	Resistor (10,000-Ohm, 1/2 Watt)
				8,10,17,19			
				R5	350-0414	1	Resistor (13,000-Ohm, 1/2 Watt)
				R9	350-0427	1	Resistor (47,000-Ohm, 1/2 Watt)
				R11,13	350-0384	2	Resistor (2,000-Ohm, 1/2 Watt)
				R14	350-0380	1	Resistor (510-Ohm, 1/2 Watt)
				R15,18	350-0536	2	Resistor (1,000-Ohm, 2 Watt)
				R12,16,20	350-0451	3	Resistor (470,000-Ohm, 1/2 Watt)

START DISCONNECT MODULE (300-1574)



REF. NO.	PART NO.	QTY. USED	PART DESCRIPTION
	300-1574	1	Module, Start Disconnect (Complete)
C1,2,3	356-0051	3	Capacitor, Electrolytic (6.8 Mfd., 35 Volt)
C4,7	356-0066	2	Capacitor, Tantalum (.47 Mfd.)
C5	356-0059	1	Capacitor, Electrolytic (2.2 Mfd)
C6	355-0045	1	Capacitor, Composition (.1 Mfd)
DS1	322-0172	1	Lamp, Indicator
CR1,2	359-0033	2	Diode, Zener (14 Volt, 5 Watt)
CR3	359-0032	1	Diode, Zener (8.2 Volt)
CR4,5,6,7	357-0004	4	Rectifier, Diode (400 Volt, 400 Milliampere)
IC1	367-0014	1	Integrated Circuit (Multivibrator)
IC2	367-0013	1	Integrated Circuit (Dual, 2 Input, and Gate)
IC3	367-0001	1	Integrated Circuit (Oral Amp)
Q1	362-0011	1	Transistor, Signal
R1,2,5,6	350-0418	1	Resistor (20,000-Ohm, 1/2 Watt)
R3,11,12,15,16	350-0548	5	Resistor (10,000-Ohm, 1/2 Watt)
R4,8	350-0422	2	Resistor (30,000-Ohm, 1/2 Watt)
R9	350-0435	1	Resistor (100,000-Ohm, 1/2 Watt)
R10,13	350-0672	2	Resistor (240-Ohm, 1 Watt)
R14	350-0404	1	Resistor (1,000-Ohm, 1/2 Watt)
R16	350-0536	1	Resistor (1,000-Ohm, 1/2 Watt)
R17	350-0459	1	Resistor (1 Megohm, 1/2 Watt)
	322-0175	1	Receptacle, Lamp

CYCLE CRANKER MODULE (300-1573)



REF. NO.	PART NO.	QTY. USED	PART DESCRIPTION	REF. NO.	PART NO.	QTY. USED	PART DESCRIPTION
	300-1573	1	Module, Cycle Cranker (Complete)	R1	303-0171	1	Potentiometer (100,000-Ohm)
C1	356-0066	1	Capacitor, Tantalum (47 Mfd., 20 Volt)	R2,3	303-0191	2	Potentiometer (5000-Ohm)
C2	355-0042	1	Capacitor (.47 Mfd., 250 Volt)	R4	350-1132	1	Resistor (470-Ohm, 2 Watt)
DS1,2	322-0171	2	Lamp, Indicator (Red-Green)	R5,18	350-0532	2	Resistor (470-Ohm, 1/2 Watt)
DS3	322-0157	1	Lamp, Indicator, (Red)	R6,8	350-0537	2	Resistor (1200-Ohm, 1/2 Watt)
DS4	322-0172	1	Lamp, Indicator (Green)	R7	350-0382	1	Resistor (820-Ohm, 1/2 Watt)
CR1	359-0032	1	Diode, Zener - 8.2 Volt	R9	350-0394	1	Resistor (2000-Ohm, 1/2 Watt)
CR2	359-0016	1	Diode, Zener - 6.8 Volt	R10	350-0418	1	Resistor (20,000-Ohm, 1/2 Watt)
CR3	359-0002	1	Diode, Zener - 13 Volt	R11,13,16	350-0548	5	Resistor (10,000-Ohm, 1/2 Watt)
CR4-8	357-0004	8	Rectifier, Diode - 400 Volt 400 MA	17,21			
IC1	367-0017	1	Integrated Circuit, Counter	R12	350-0437	1	Resistor (120,000-Ohm, 1/2 Watt)
IC2	367-0016	1	Integrated Circuit, Timing	R19	350-0538	2	Resistor (1,000-Ohm, 1/2 Watt)
Q1	362-0038	1	Transistor, Power	R20	350-0380	1	Resistor (510-Ohm, 1/2 Watt)
Q2,3,4	362-0011	3	Transistor, Signal	R20	350-0387	1	Resistor (1,000-Ohm, 1/2 Watt)
				C3	356-0051	1	Capacitor, Electrolytic (8.8 Mfd., 35 Volt)
					322-0175	4	Receptacle, Lamp