

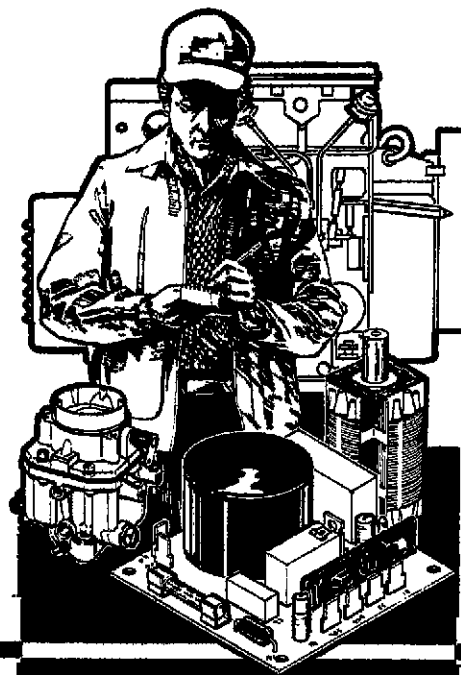
McGraw-Edison

Onan

Parts Manual

OTII

Transfer Switch Accessories



Onan Service Parts

962-0216

1-85 (SPEC E,F)

Replaces

5-84

Printed in U.S.A.



Redistribution or publication of this document by any means, is strictly prohibited.

Important Safety Precautions

Read and observe these safety precautions when using or working on electric generators, engines and related equipment. Also read and follow the literature provided with the equipment.

Proper operation and maintenance are critical to performance and safety. Electricity, fuel, exhaust, moving parts and batteries present hazards that can cause severe personal injury or death.

FUEL, ENGINE OIL, AND FUMES ARE FLAMMABLE AND TOXIC

Fire, explosion, and personal injury can result from improper practices.

- Used engine oil, and benzene and lead, found in some gasoline, have been identified by government agencies as causing cancer or reproductive toxicity. When checking, draining or adding fuel or oil, do not ingest, breathe the fumes, or contact gasoline or used oil.
- Do not fill tanks with engine running. Do not smoke around the area. Wipe up oil or fuel spills. Do not leave rags in engine compartment or on equipment. Keep this and surrounding area clean.
- Inspect fuel system before each operation and periodically while running.
- Equip fuel supply with a positive fuel shutoff.
- Do not store or transport equipment with fuel in tank.
- Keep an ABC-rated fire extinguisher available near equipment and adjacent areas for use on all types of fires except alcohol.
- Unless provided with equipment or noted otherwise in installation manual, fuel lines must be copper or steel, secured, free of leaks and separated or shielded from electrical wiring.
- Use approved, non-conductive flexible fuel hose for fuel connections. Do not use copper tubing as a flexible connection. It will work-harden and break.

EXHAUST GAS IS DEADLY

- Engine exhaust contains carbon monoxide (CO), an odorless, invisible, poisonous gas. Learn the symptoms of CO poisoning.
- Never sleep in a vessel, vehicle, or room with a genset or engine running unless the area is equipped with an operating CO detector with an audible alarm.
- Each time the engine or genset is started, or at least every day, thoroughly inspect the exhaust system. Shut down the unit and repair leaks immediately.

- Warning: Engine exhaust is known to the State of California to cause cancer, birth defects and other reproductive harm.

Make sure exhaust is properly ventilated.

- Vessel bilge must have an operating power exhaust.
- Vehicle exhaust system must extend beyond vehicle perimeter and not near windows, doors or vents.
- Do not use engine or genset cooling air to heat an area.
- Do not operate engine/genset in enclosed area without ample fresh air ventilation.
- Expel exhaust away from enclosed, sheltered, or occupied areas.
- Make sure exhaust system components are securely fastened and not warped.

MOVING PARTS CAN CAUSE SEVERE PERSONAL INJURY OR DEATH

- Do not remove any guards or covers with the equipment running.
- Keep hands, clothing, hair, and jewelry away from moving parts.
- Before performing any maintenance, disconnect battery (negative [-] cable first) to prevent accidental starting.
- Make sure fasteners and joints are secure. Tighten supports and clamps, keep guards in position over fans, drive belts, etc.
- If adjustments must be made while equipment is running, use extreme caution around hot manifolds and moving parts, etc. Wear safety glasses and protective clothing.

BATTERY GAS IS EXPLOSIVE

- Wear safety glasses and do not smoke while servicing batteries.
- Always disconnect battery negative (-) lead first and reconnect it last. Make sure you connect battery correctly. A direct short across battery terminals can cause an explosion. Do not smoke while servicing batteries. Hydrogen gas given off during charging is explosive.
- Do not disconnect or connect battery cables if fuel vapors are present. Ventilate the area thoroughly.

DO NOT OPERATE IN FLAMMABLE AND EXPLOSIVE ENVIRONMENTS

Flammable vapor can be ignited by equipment operation or cause a diesel engine to overspeed and become difficult to stop, resulting in possible fire, explosion, severe personal injury and death. **Do not operate diesel equipment where a flammable vapor environment can be created by fuel spill, leak, etc., unless equipped with an automatic safety device to block the air intake and stop the engine.**

HOT COOLANT CAN CAUSE SEVERE PERSONAL INJURY

- Hot coolant is under pressure. Do not loosen the coolant pressure cap while the engine is hot. Let the engine cool before opening the pressure cap.

ELECTRICAL SHOCK CAN CAUSE SEVERE PERSONAL INJURY OR DEATH

- Do not service control panel or engine with unit running. High voltages are present. Work that must be done while unit is running should be done only by qualified service personnel.
- Do not connect the generator set to the public utility or to any other electrical power system. Electrocutation can occur at a remote site where line or equipment repairs are being made. An approved transfer switch must be used if more than one power source is connected.
- Disconnect starting battery (negative [-] cable first) before removing protective shields or touching electrical equipment. Use insulative mats placed on dry wood platforms. Do not wear jewelry, damp clothing or allow skin surface to be damp when handling electrical equipment.
- Use insulated tools. Do not tamper with interlocks.
- Follow all applicable state and local electrical codes. Have all electrical installations performed by a qualified licensed electrician. Tag open switches to avoid accidental closure.
- With transfer switches, keep cabinet closed and locked. Only authorized personnel should have cabinet or operational keys. Due to serious shock hazard from high voltages within cabinet, all service and adjustments must be performed by an electrician or authorized service representative.

If the cabinet must be opened for any reason:

1. Move genset operation switch or Stop/Auto/Handcrank switch (whichever applies) to Stop.
2. Disconnect genset batteries (negative [-] lead first).
3. Remove AC power to automatic transfer switch. If instructions require otherwise, use extreme caution due to shock hazard.

MEDIUM VOLTAGE GENERATOR SETS (601V TO 15kV)

- Medium voltage acts differently than low voltage. Special equipment and training are required to work on or around medium voltage equipment. Operation and maintenance must be done only by persons trained and qualified to work on such devices. Improper use or procedures will result in severe personal injury or death.
- Do not work on energized equipment. Unauthorized personnel must not be permitted near energized equipment. Induced voltage remains even after equipment is disconnected from the power source. Plan maintenance with authorized personnel so equipment can be de-energized and safely grounded.

GENERAL SAFETY PRECAUTIONS

- Do not work on equipment when mentally or physically fatigued or after consuming alcohol or drugs.
- Carefully follow all applicable local, state and federal codes.
- Never step on equipment (as when entering or leaving the engine compartment). It can stress and break unit components, possibly resulting in dangerous operating conditions from leaking fuel, leaking exhaust fumes, etc.
- Keep equipment and area clean. Oil, grease, dirt, or stowed gear can cause fire or damage equipment by restricting airflow.
- Equipment owners and operators are solely responsible for operating equipment safely. Contact your authorized Onan/Cummins dealer or distributor for more information.

KEEP THIS DOCUMENT NEAR EQUIPMENT FOR EASY REFERENCE.

GENERAL INFORMATION

INSTRUCTIONS FOR ORDERING REPAIR PARTS

For parts or service, contact the dealer from whom you purchased this equipment or refer to your Nearest Authorized Onan Parts and Service Center.

To avoid errors or delay in filling your parts order, please furnish all information requested.

Always refer to the nameplate on your unit.

1. Always give the MODEL, SPEC NO. and SERIAL NO.

The diagram shows a rectangular nameplate with rounded corners. At the top center, the text "McGRAW-EDISON" is written in a bold, sans-serif font. Below this, the "Onan" logo is prominently displayed in a stylized, bold font. Underneath the logo is a large, empty rectangular box. Below this box, the text "MODEL AND SPEC NO." is centered. Further down, the text "SERIAL NO." is positioned to the left of another empty rectangular box. The nameplate has two small circles at the top corners, representing mounting holes. A small reference number "M-1149" is located at the bottom right corner of the nameplate.

For handy reference, insert "YOUR" nameplate information in the spaces above.

2. Do not order by reference number; always use part number and description.
3. Give the part number, description and quantity needed of each item. If an older part cannot be identified, return the part prepaid to your dealer or nearest Onan Parts and Service Center. Print your name and address plainly on the package. Write a letter to the same address stating the reason for returning the part.
4. State definite shipping instructions. Any claim for loss or damage to your unit in transit should be filed promptly against the transportation company making the delivery. Shipments are complete unless the packing list indicates items are back ordered.

Std. #36b

INDEX

Charger, Battery Float	5,6
Charger, Battery Trickle	4
Clock, Exerciser	2
Contact, Alarm	9
Convertor, Two-To-Three Wire	7,8
Relay, A.C. Auxiliary	12
Relay, Control Package	10
Relay, D.C. Auxiliary	13
Relay, Load Disconnect or Elevator	14
Relay, Load Shed	15,16
Relay, Manual Push To Retransfer	11
Relay, Preheat Time Delay	9
Relay, Programmed Transition	3

INTRODUCTION

This catalog applies to the OTII Transfer Switch Accessories. Each illustrated part is identified by a reference number corresponding to the same reference number in the parts list for that group. Parts illustrations are typical. Using the MODEL and SPEC NUMBER from the switch box nameplate, select the parts that apply to your transfer switch. All parts can be used on either 50 or 60 Hz. models, unless otherwise specified. The 50 HZ. models have the number 5 preceding the voltage code number. (Example: Code 3 becomes 53 for 50 Hz.)

DIRECTIONS

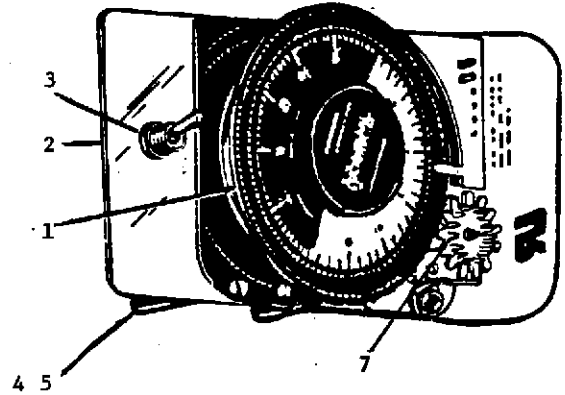
1. Locate the item you are looking for in the Table Of Contents.
2. Turn to the page listed.
3. Mentally insert your model number in the blank spaces. Kit numbers are listed at the top of the pages without blank spaces.
4. The part of the model number that is boxed will help you to determine the part number that you need.
5. Match the part of your model number that is boxed to the number below it that is also boxed.
6. Write down the respective part number.

**EXERCISER
CLOCK**

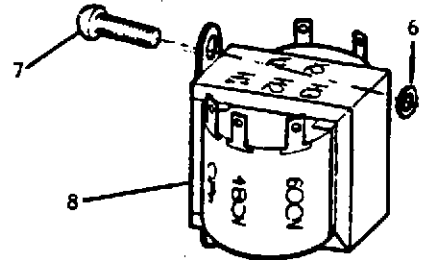
OT _____ / _____

REF. NO.	PART NO.	QTY	PART DESCRIPTION
1	See Tab	1	Switch-Time
2	370-1083	1	Plate-Switch Mtg
3	308-0623	1	Switch-Toggle
4	812-0140	4	Screw-RHM(#6-32x3)
5	332-2424	4	Spacer
6	853-0003	4	Washer-ET LK(#6)
7	307-0976	12	Pin
8	C-191	1	Instruction Sheet

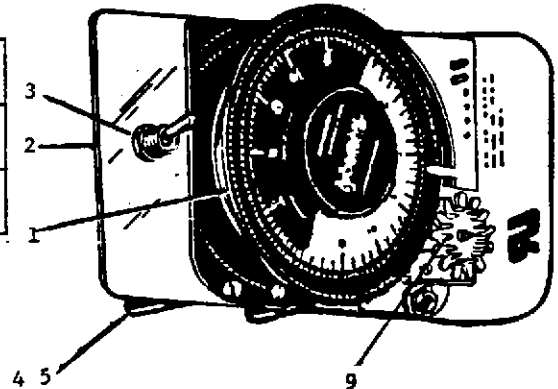
VOLTAGE				KIT NO.	TAB
				1 300-2202	307-1102
3	4	5D	8	300-2203	307-1103
				51 300-2206	307-1104
53	54	55D	58	300-2207	307-1105



REF. NO.	PART NO.	QTY	PART DESCRIPTION
1	See Tab	1	Switch-Time
2	370-1083	1	Plate-Switch Mtg
3	308-0623	1	Switch-Toggle
4	812-0140	4	Screw-RHM(#6-32x3)
5	332-2424	4	Spacer
6	853-0003	6	Washer-ET LK(#6)
7	812-0061	2	Screw-RHM(#6-32x3/8)
8	315-0377	1	Transformer
9	307-0976	12	Pin
10	C-192	1	Instruction Sheet



VOLTAGE				KIT NO	TAB
4X	7	7X	9X	300-2204	307-1102
54X	57	57X	59X	300-2208	307-1104

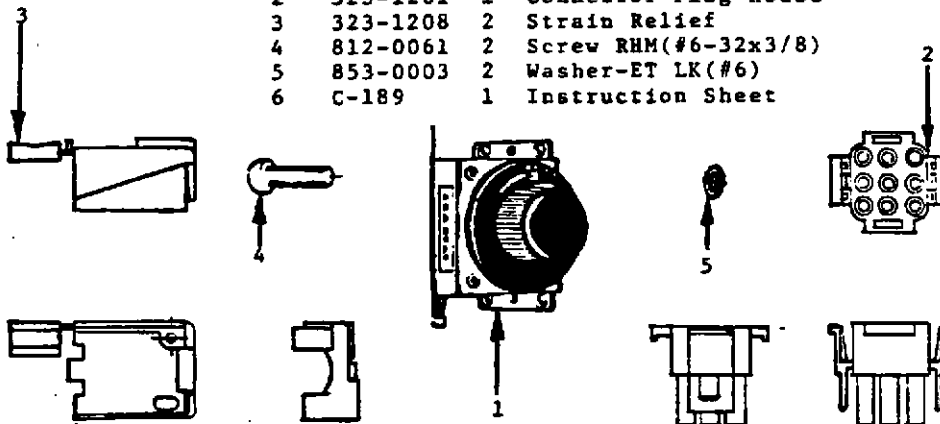


PROGRAMMED OT _____ / _____
TRANSITION

VOLTAGE					KIT NO.	TIME RANGE	TAB
				1 51	300-2171	.5-5 sec	307-1627
3	4	5D	8	54 58	300-2172	.5-5 sec	307-1628
				53 55D	300-2173	.5-5 sec	307-1629
4X	7	7X	54X	57 57X	300-2174	.5-5 sec	307-1631
				9X 59X	300-2175	.5-5 sec	307-1630
				1 51	300-2176	1.5-15 sec	307-1108
3	4	5D	8	54 58	300-2177	1.5-15 sec	307-1109
				53 55D	300-2178	1.5-15 sec	307-1891
4X	7	7X	54X	57 57X	300-2179	1.5-15 sec	307-1892
				9X 59X	300-2180	1.5-15 sec	307-1890
				1 51	300-2442	5-50 sec	307-1970
3	4	5D	8	54 58	300-2443	5-50 sec	307-1971
				53 55D	300-2444	5-50 sec	307-1972
4X	7	7X	54X	57 57X	300-2445	5-50 sec	307-1974
				9X 59X	300-2446	5-50 sec	307-1973

REF. PART
 NO. NO. QTY. DESCRIPTION

- 1 See Tab 1 Time Delay Relay
- 2 323-1201 1 Connector-Plug House
- 3 323-1208 2 Strain Relief
- 4 812-0061 2 Screw RHM(#6-32x3/8)
- 5 853-0003 2 Washer-ET LK(#6)
- 6 C-189 1 Instruction Sheet

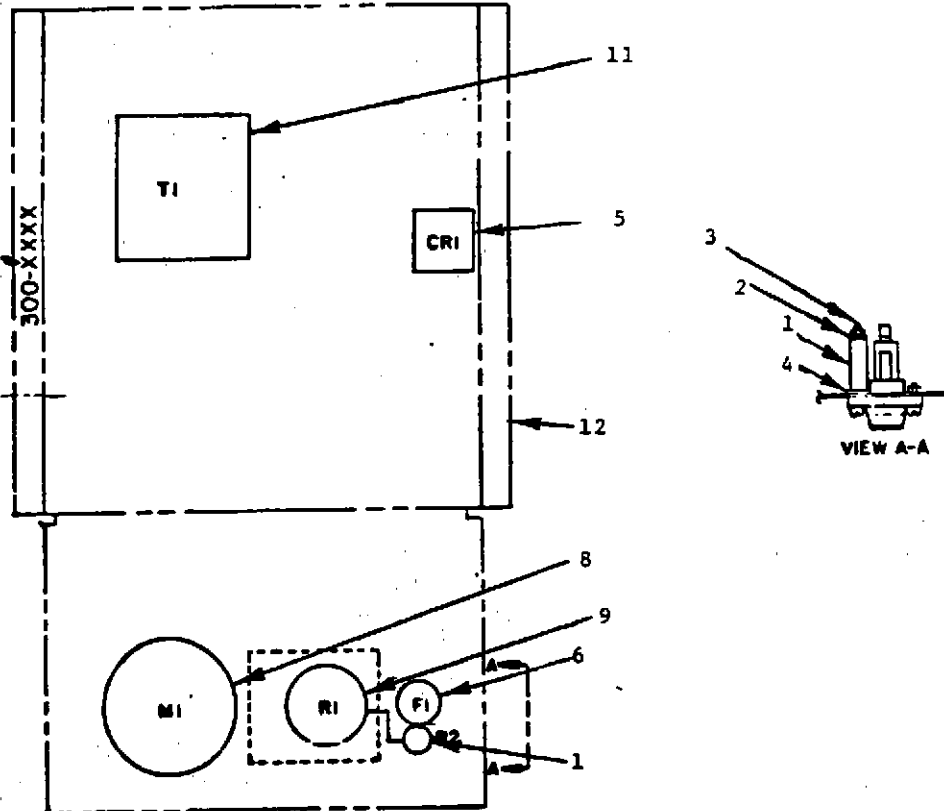


**BATTERY
TRICKLE
CHARGER**

OT _____ / _____

VOLTAGE								KIT NO.	TAB
						1	51	300-2447	315-0010
3	53	4	54	5D	55D	8	58	300-2448	315-0009
		4X	54X	7	57	7X	57X	300-2449	315-0066
						9X	59X	300-2450	315-0079

REF. NO.	PART NO.	QTY.	PART DESCRIPTION
1	304-0538	1	Resistor-Fixed
2	508-0015	1	Washer-Insulating
3	812-0087	1	Screw-RHM(8-32x1 1/2)
4	304-0771	1	Insulator-Resistor
5	305-0653	1	Rectifier-Bridge
6	321-0236	1	Fuse-Cartridge
7	321-0237	1	Fuse Holder
8	302-0489	1	Ammeter-DC
9	303-0117	1	Rheostat
10	303-0076	1	Knob
11	See Tab	1	Transformer-Power
12	301-6306	1	Chassis-Battery Chgr.
13	812-0146	4	Screw-RHM(1/4-20x3/8)
14	850-0040	4	Washer-LK
15	C-190	1	Instruction Sheet



BATTERY OT _____ _____ / _____
FLOAT
CHARGER

VOLTAGE				KIT NO.	TAB
			1	300-2189	315-0159
3	4	5D	8	300-2190	315-0054
			4X	300-2191	315-0066
			9X	300-2192	315-0079

12V 2A

REF. NO.	PART NO.	QTY.	PART DESCRIPTION
1	332-1179	2	Spacer-Fiber
2	338-1445	1	Wiring Harness-Batt. Chgr.
3	301-6210	1	Chassis-Battery Charger
4	813-0112	1	Screw-RHM(10-32x2-1/2)
5	304-0292	1	Insulator-Resistor
6	304-0015	1	Washer-Centering
7	304-0139	1	Resistor-Fixed
8	See Tab	1	Transformer-Power
9	302-0807	1	Ammeter-DC
10	321-0237	1	Holder-Cartridge Fuse
11	321-0236	1	Fuse-Cartridge(1A)
12	305-0649	1	Rectifier Assy-SCR
13	305-0517	1	Rectifier-Bridge
14	300-2232	1	Regulator-Battery Chgr.
15	812-0146	4	Screw-RHM(1/4-20x3/8)
16	850-0040	4	Washer-LK
17	C-190	1	Instruction Sheet

VOLTAGE				KIT NO.	TAB	
1	3	4	5D	8	300-2193	315-0222
60 HZ ONLY				4X	300-2194	315-0223
				9X	300-2195	315-0224

24V 6A

REF. NO.	PART NO.	QTY.	PART DESCRIPTION
1	332-1179	2	Spacer-Fiber
2	338-1423	1	Wiring Harness-Batt. Chgr.
3	301-6051	1	Chassis-Battery Charger
4	See Tab	1	Transformer-Power
5	302-0561	1	Ammeter-DC
6	321-0104	1	Holder-Cartridge Fuse
7	321-0146	1	Fuse-Cartridge(10A)
8	305-0624	1	Rectifier Assy.-SCR
9	305-0350	1	Rectifier-Surge Suppressor
10	305-0653	1	Rectifier-Bridge
11	300-2231	1	Regulator-Battery Chgr.
12	812-0146	4	Screw-RHM(1/4-20x3/8)
13	850-0040	4	Washer-LK
14	C-190	1	Instruction Sheet

BATTERY
FLOAT
CHARGER
(cont.)

OT _____ _____ / _____

VOLTAGE				KIT NO.	TAB
			1	300-2196	315-0069
3	4	5D	8	300-2197	315-0055
			4X	300-2198	315-0077
			9X	300-2199	315-0101

24V 2A

REF. NO.	PART NO.	QTY.	PART DESCRIPTION
1	332-1179	2	Spacer-Fiber
2	338-1445	1	Wiring Harness-Batt. Chgr.
3	301-6210	1	Chassis-Battery Charger
4	870-0053	1	Nut-HMS(10-32)
5	850-0030.	1	Washer-LK(#10)
6	813-0116	1	Screw-RHM(10-32x6-1/2)
7	304-0036	2	Bracket-Resistor
8	304-0037	1	Resistor-Fixed
9	See Tab	1	Transformer-Power
10	302-0807	1	Ammeter-DC
11	321-0237	1	Holder-Cartridge Fuse
12	321-0236	1	Fuse-Cartridge(1A)
13	305-0649	1	Rectifier Assy-SCR
14	305-0517	1	Rectifier-Bridge
15	300-2231	1	Regulator-Battery Chgr.
16	812-0146	4	Screw-RHM(1/4-20x3/8)
17	850-0040	4	Washer-LK
18	C-190	1	Instruction Sheet

VOLTAGE				KIT NO.	TAB	
1	3	4	5D	8	300-2186	315-0175
60 HZ ONLY				4X	300-2187	315-0186
				9X	300-2188	315-0187

12V 10A

REF. NO.	PART NO.	QTY.	PART DESCRIPTION
1	332-1179	2	Spacer-Fiber
2	338-1423	1	Wiring Harness-Batt. Chgr.
3	301-6051	1	Chassis-Battery Charger
4	See Tab	1	Transformer-Power
5	302-0561	1	Ammeter-DC
6	321-0104	1	Holder-Cartridge Fuse
7	321-0127	1	Fuse-Cartridge(15A)
8	305-0623	1	Rectifier Assy-SCR
9	305-0349	1	Rectifier-Surge Supsressor
10	305-0653	1	Rectifier-Bridge
11	300-2232	1	Regulator-Battery Charger
12	812-0146	4	Screw-RHM(1/4-20x3/8)
13	850-0040	4	Washer-LK
14	C-190	1	Instruction Sheet

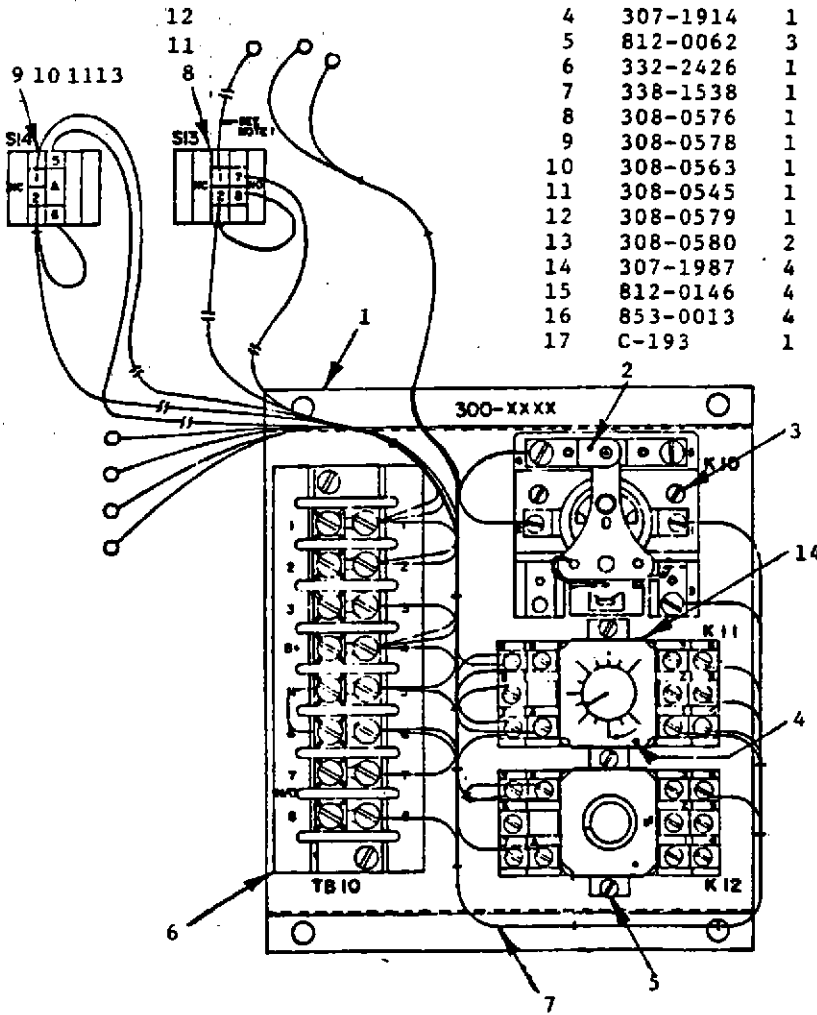


TWO-TO-
THREE
WIRE
CONVERTOR

OT _____ - [] _____

VOLTAGE		KIT NO.	TAB
	1	300-2224	307-1080
	4	300-2225	307-1114
8	3	5D 300-2226	307-1081
7	7X	4X 300-2227	307-1119
	9X	300-2228	307-1425

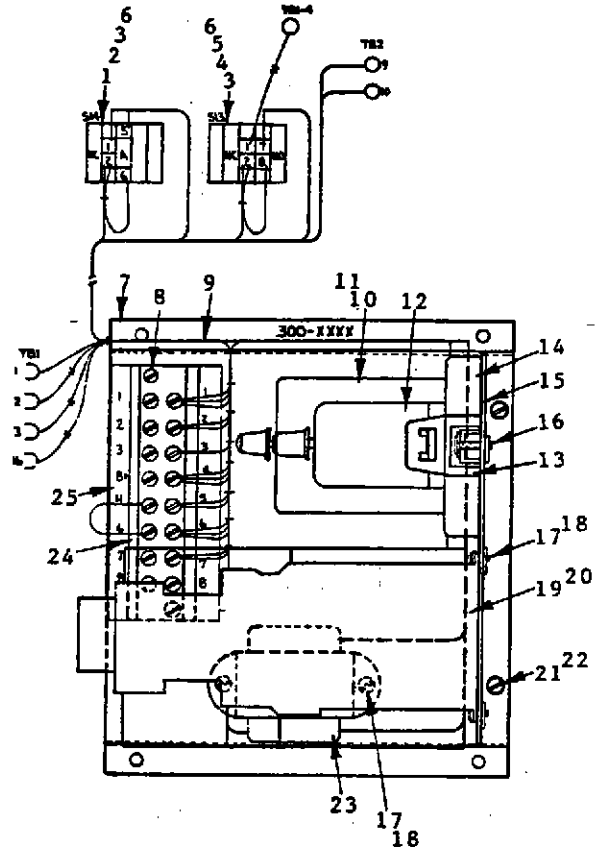
REF. NO.	PART NO.	QTY.	PART DESCRIPTION
1	301-6205	1	Plate-Mounting
2	See Tab	1	Relay-Start Disconnect
3	812-0065	4	Screw-RHM(6-32x5/8)
4	307-1914	1	Relay-Overcrank
5	812-0062	3	Screw-RHM(6-32x7/16)
6	332-2426	1	Marker Strip
7	338-1538	1	Wiring Harness-Conv.
8	308-0576	1	Switch-Selector
9	308-0578	1	Switch-Reset
10	308-0563	1	Lens-Yellow
11	308-0545	1	Light-Module
12	308-0579	1	Contact Block(N.O.)
13	308-0580	2	Contact Block(N.C.)
14	307-1987	4	Hold Down Relay
15	812-0146	4	Screw-RHM(1/4-20x3/8)
16	853-0013	4	Washer-ET LK(1/4)
17	C-193	1	Instruction Sheet



TWO-TO-
THREE
WIRE
CONVERTOR

OT _____

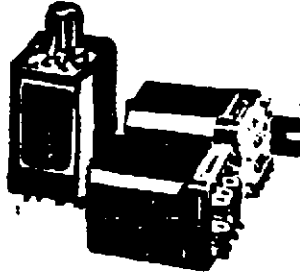
				KIT NO.	TAB #10	TAB #23
1				300-2965	307-2192	
3	4	5D	8	300-2966	307-2193	
4X	7	7X	9X	300-2967	307-2192	315-0377



REF. NO.	PART NO.	QTY.	PART DESCRIPTION
1	308-0578	1	Switch-Reset
2	308-0563	1	Lens-Amber(S14)
3	308-0545	2	Module-Light(12V)
4	308-0576	1	Switch-Selector
5	308-0579	1	Block-Contact(N.O.)
6	308-0580	2	Block-Contact(N.C.)
7	301-9194	1	Plate-Mounting Base
8	850-0065	2	Screw-RHM(#6-32x5/8)
9	338-1863	1	Harness-2 to 3 Wire(Conv)
10	See Tab	1	Relay-Voltage Sensor 3Ø
11	332-1389	1	Tie-Cable(14")
12	307-1914	1	Relay-Time Delay
13	307-1987	2	Hold Down-Relay(K12)
15	301-9193	1	Plate-Mounting
16	812-0062	3	Screw-RHM(#6-32x7/16)
17	851-0020	7	Washer-LK(#6)
18	812-0061	4	Screw-RHM(#6-32x3/8)
19	307-2487	1	Relay-DC(12V)
20	307-2488	1	Contact Block-Relay
21	812-0077	2	Screw-RHM(#8-32x3/8)
22	850-0025	2	Washer-LK(#8)
23	See Tab	1	Transformer-Stepdown
25	332-2742	1	Strip-Marker
26	332-0942	11	Tie-Cable

PREHEAT
TIME
DELAY
RELAY

300-2230



ALARM
CONTACT
RELAY

300-2229



RELAY
CONTROL
PACKAGE

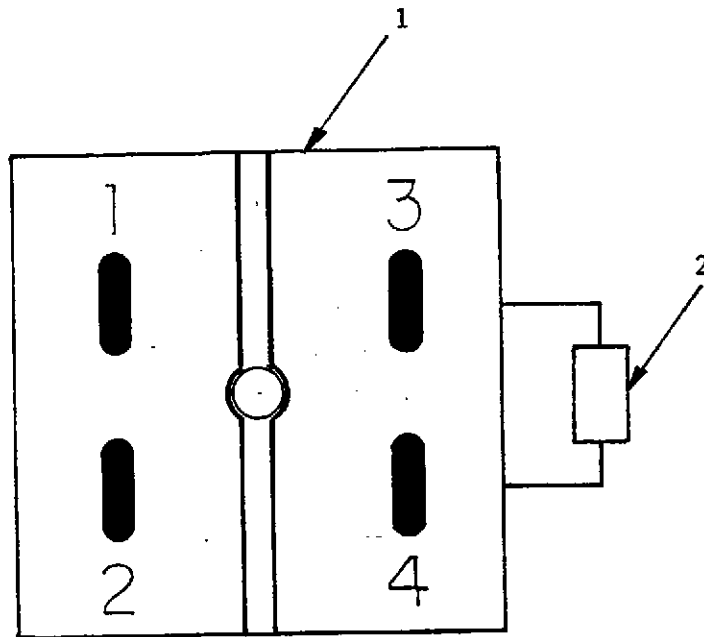
OT



56

57

VOLTAGE					KIT NO.	RELAY ITEM #1	RESISTOR ITEM #2	
1	4X	7	7X	9X	300-2627	307-1961	350-1209	T.D. STOP
	3	4	5D	8	300-2628	307-1962	350-1209	
1	4X	7	7X	9X	300-2629	307-1959	350-1210	T.D. TRANSFER
	3	4	5D	8	300-2630	307-1960	350-1210	



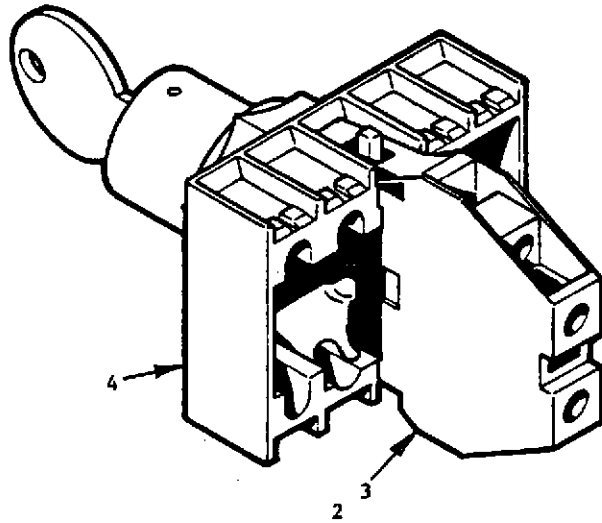
MANUAL
PUSH TO
RETRANSFER
RELAY

OT _____ - _____ /

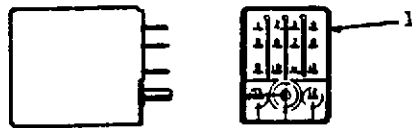
- | |
|----|
| 31 |
| 32 |
| 33 |
| 34 |

KIT NO.-300-2631

REF. NO.	PART NO.	QTY.	PART DESCRIPTION
1	307-2010	1	Relay(48VDC)(K5)
2	308-0579	1	Contact Block N/O
3	308-0580	1	Contact Block N/C
4	308-0575	1	Key Operator
5	C-202	1	Instruction Sheet



SC 1310

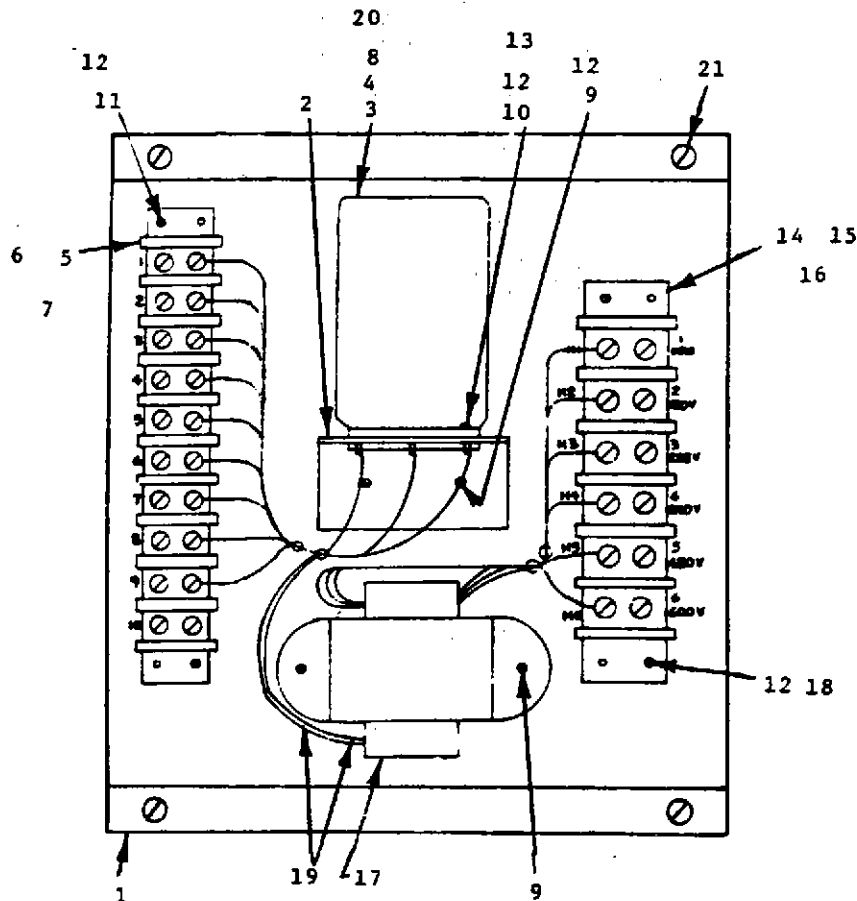


AC
AUXILIARY
RELAY

KIT NO.- 307-2041

(Specify Line Side Or Generator Side)

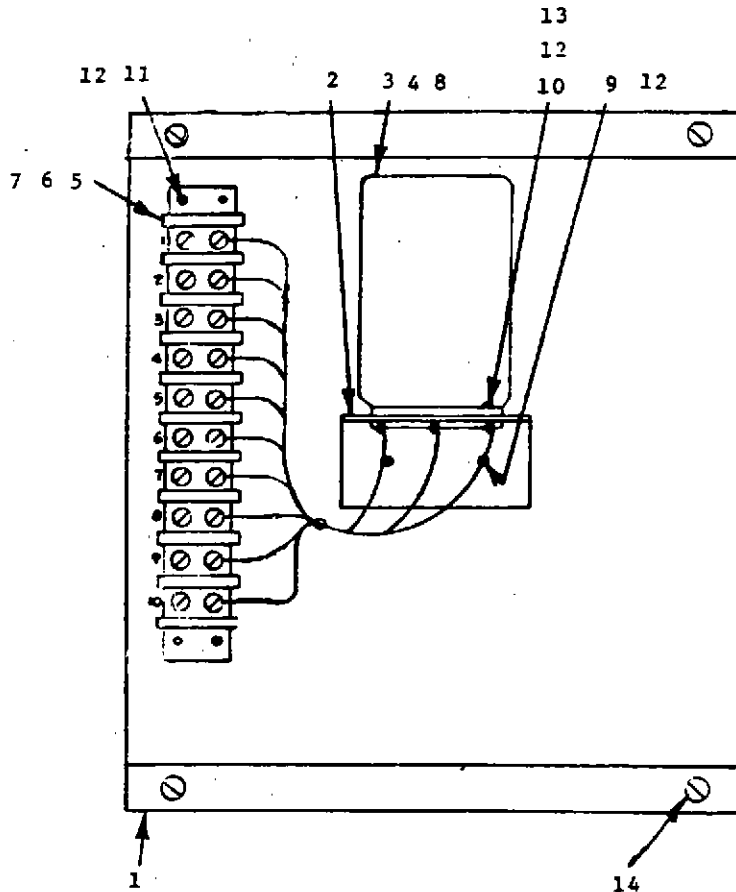
REF. NO.	PART NO.	QTY.	PART DESCRIPTION
1	301-6928	1	Plate-Mtg.
2	301-3620	1	Bracket-Relay Mtg.
3	307-1056	1	Relay-24VDC 3PDT(K1)
4	323-0765	1	Socket-Relay
5	332-0751	1	Terminal Block
6	332-0853	1	Marker Strip
7	98-4789	1	Silkscreen-Aux Relay
8	307-1157	1	Spring-Relay Hold-Down
9	815-0387	4	Screw-PHXREC(6-32x1/4)
10	812-0061	2	Screw-RHM(6-32x3/8)
11	815-0388	2	Screw-PHXREC(6-32x1/2)
12	853-0003	10	Washer-ET LK#6
13	860-0006	2	Nut-HMS(6-32)
14	332-1541	1	Terminal Block
15	332-1542	1	Marker Strip(Blank)
16	98-4790	1	Silkscreen-Aux Relay
17	315-0375	1	Transformer-Stepdown
18	815-0375	2	Screw-PHXREC(6-32x3/4)
19	338-0710	1	Harness-Aux Relay
20	332-1664	2	Tab-Relay Socket
21	812-0145	4	Screw-RHM(1/4-20x5/16)
22	539-0573	1	Template-Mtg. Holes
23	C-217	1	Instruction Sheet



D.C.
AUXILIARY
RELAY

KIT NO.	VOLTS	ITEM #3
307-2042	12V	307-1058
307-2043	24V	307-1056

REF NO.	PART NO.	QTY.	PART DESCRIPTION
1	301-6928	1	Plate-Mounting
2	301-3620	1	Bracket-Relay Mtg.
3	See Tab	1	Relay-3PDT (K1)
4	323-0765	1	Socket-Relay
5	332-0751	1	Terminal Block
6	332-0853	1	Marker Strip
7	98-4789	1	Silkscreen-Aux Relay
8	307-1157	1	Spring-Relay Hold-Down
9	815-0387	2	Screw-PHXREC(6-32x1/4)
10	812-0061	2	Screw-RHM(6-32x3/8)
11	815-0388	2	Screw-PHXREC(6-32x1/2)
12	853-0003	6	Washer-ET LK #6
13	860-0006	2	Nut-HMS(6-32)
14	812-0145	4	Screw-RHM(1/4-20x5/16)
15	539-0573	1	Template-Mtg. Holes
16	C-218	1	Instruction Sheet

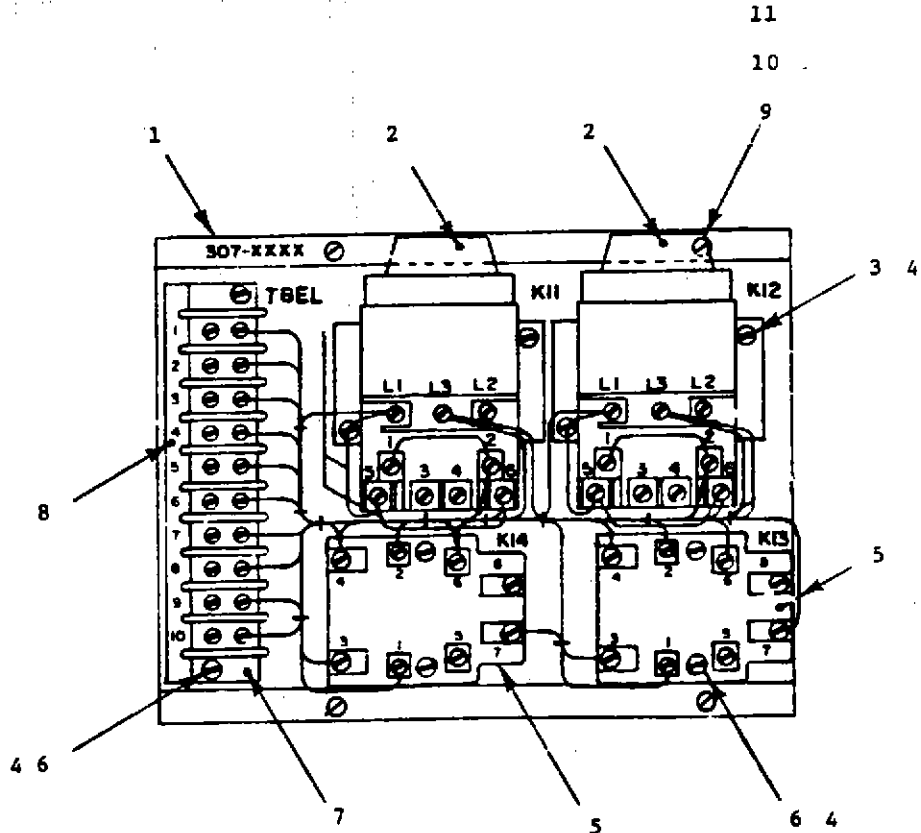


LOAD
DISCONNECT
OR ELEVATOR
RELAY

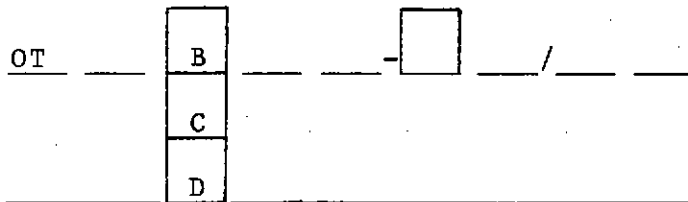
OT _____

VOLTAGE					KIT NO.	ITEM #2	ITEM #5	
	1	51			300-2592	307-1133	307-1082	
	4	54			300-2593	307-1144	307-1113	
3	53	5D	55D	8	58	300-2594	307-1144	307-1083
4X	54X	7	57	7X	57X	300-2595	307-1162	307-1887

REF. NO.	PART NO.	QTY.	PART DESCRIPTION
1	301-6980	1	Plate-Relay Assy TD
2	See Tab	2	Relay-TD(Pickup)
3	812-0075	4	Screw-RHM(8-32x1/4)
4	853-0005	10	Lockwasher-ET #8
5	See Tab	2	Relay-Signal
6	812-0081	6	Screw-RHM(8-32x5/8)
7	332-2562	1	Terminal Block
8	332-2563	1	Marker Strip
9	812-0146	4	Screw-RHM(1/4-20x3/8)
10	850-0040	4	Washer-LK
11	862-0001	4	Nut-HHC(1/4-20)
12	C-223	1	Instruction Sheet

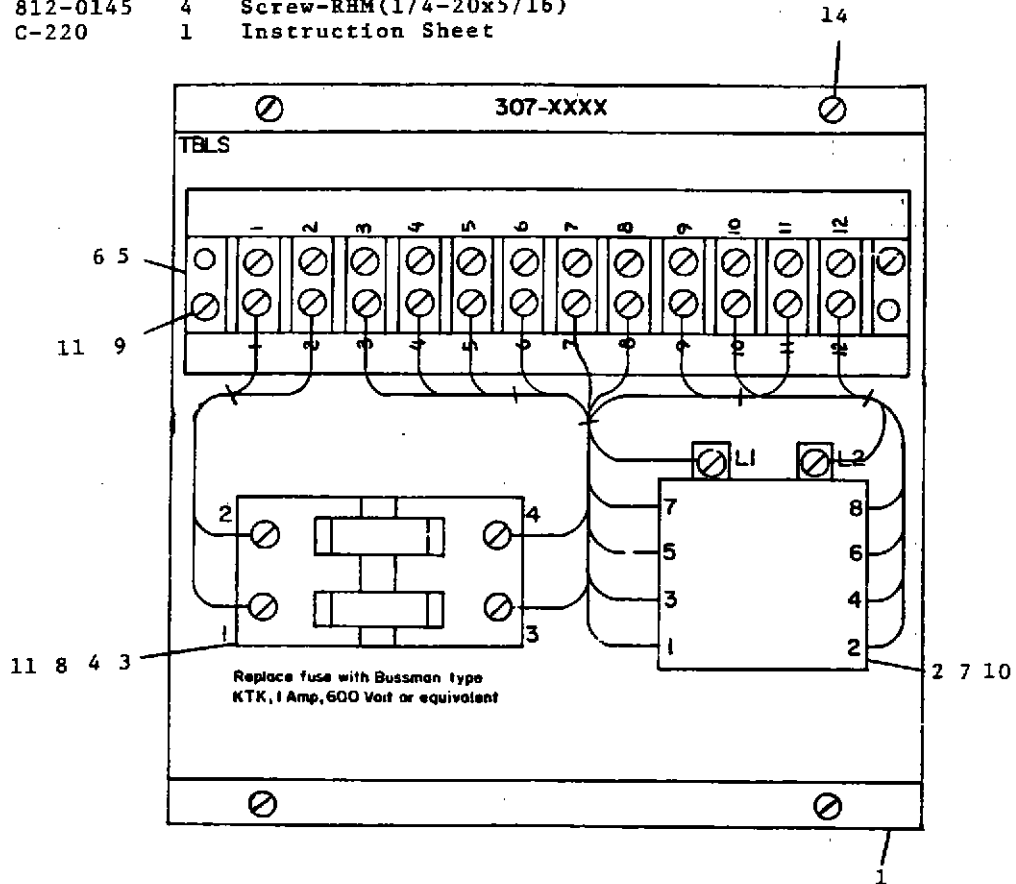


LOAD
SHED
RELAY



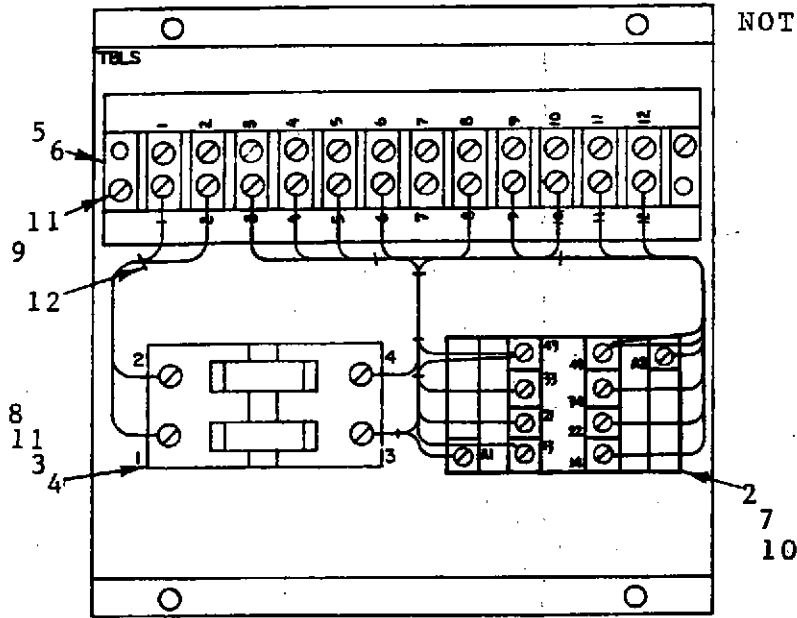
VOLTAGE						KIT NO.	ITEM #2
				1	51	307-2049	307-1670
3	53	4	54	8	58	307-2050	307-1671
4X	54X	7	57	7X	57X	307-2051	307-1672

REF. NO.	PART NO.	QTY.	PART DESCRIPTION	NOTE:
1	301-6951	1	Plate-Mounting	For Control Code "A" see separate page.
2	See Tab	1	Relay-Interposing	
3	321-0229	1	Holder-Fuse	
4	321-0236	2	Fuse-Cartridge	
5	332-1468	1	Terminal Block	
6	332-1469	1	Marker Strip	
7	812-0059	2	Screw-RHM(6-32x1/4)	
8	812-0077	2	Screw-RHM(8-32x3/8)	
9	812-0081	2	Screw-RHM(8-32x5/8)	
10	854-0006	2	Washer-IT Lock #6	
11	854-0007	4	Washer-IT Lock #8	
12	98-5083	1	Silkscreen	
13	98-2949	1	Label-Modification	
14	812-0145	4	Screw-RHM(1/4-20x5/16)	
15	C-220	1	Instruction Sheet	



LOAD
SHED
RELAY

OT A /



NOTE: For Control Code "B, C, D," see separate page.

				KIT NO	ITEM #2
				1	307-2310 307-2301
				4	307-2311 307-2302
3	5D			8	307-2312 307-2303
4X	7	7X	9X		307-2313 307-2304

REF. NO.	PART NO	QTY	PART DESCRIPTION
2	See Tab	1	Relay-Load Shed
3	301-6951	1	Plate-Mounting
4	321-0229	1	Holder-Fuse
5	321-0110	2	Fuse-Cartridge
6	332-1468	1	Terminal Block
7	332-1469	2	Marker Strip
8	812-0059	2	Screw-RHM(#6-32x1/4)
9	812-0077	2	Screw-RHM(#8-32x3/8)
10	812-0081	2	Screw-RHM(#8-32x5/8)
11	854-0006	2	Washer-IT LK(#6)
12	854-0007	4	Washer-IT LK(#8)
13	812-0145	4	Screw-RHM(1/4-20x5/16)
14	98-2949	1	Lable-Modification
15		1	Instruction Sheet