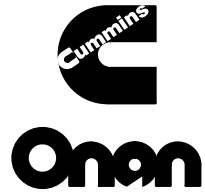
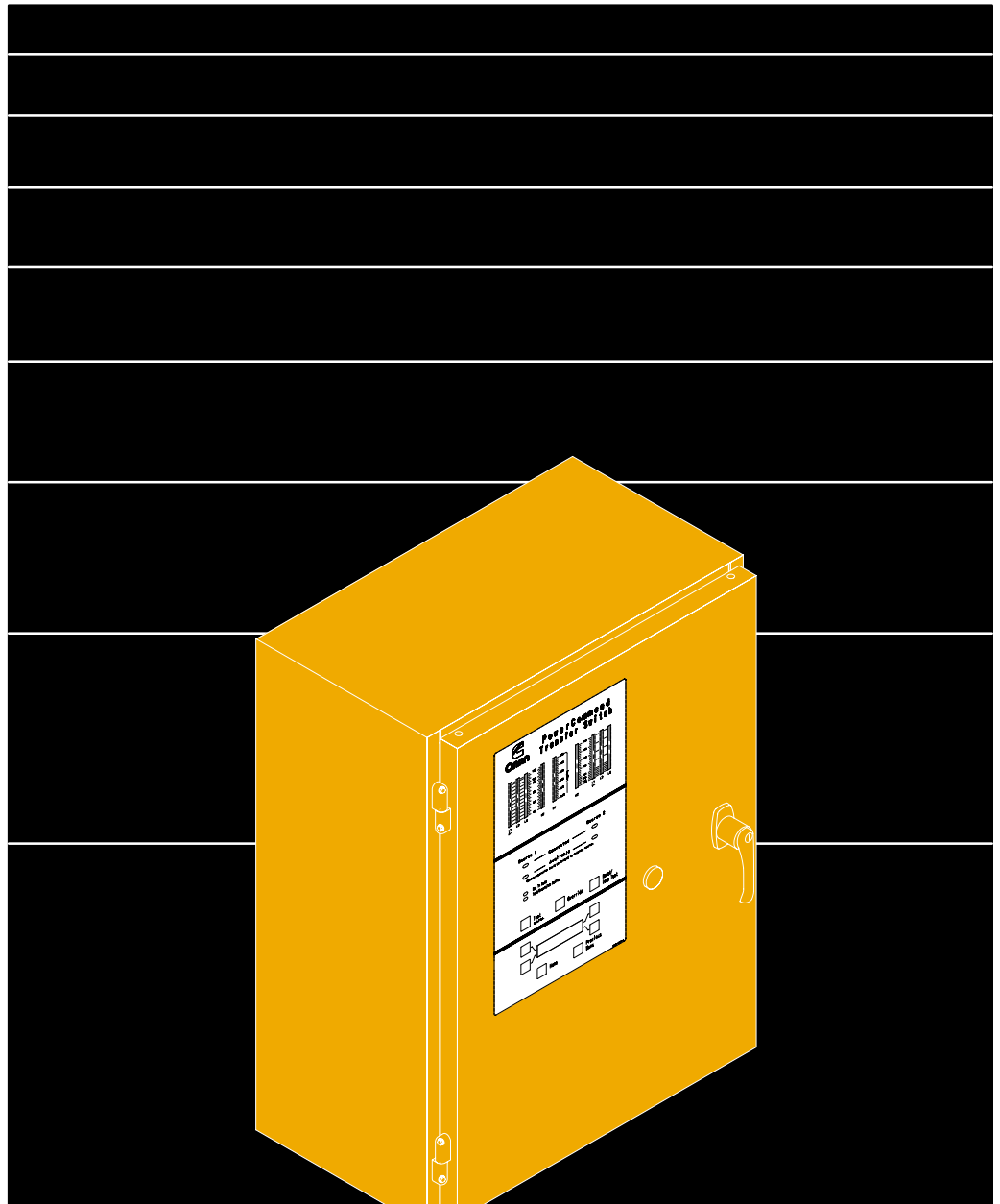




# Parts Catalog



## OTPC 40/70/125 Amp Transfer Switch



## MODEL IDENTIFICATION

To avoid errors or delay in filling your parts order, always give the MODEL, SPEC NO. and SERIAL NO. from the Onan nameplate.

For handy reference, insert your nameplate information in the spaces below.

\_\_\_\_\_  
MODEL AND SPEC NO.

\_\_\_\_\_  
SERIAL NO.

\_\_\_\_\_  
DIGITAL CONTROL SOFTWARE VERSION  
AND DATE (IF APPLICABLE)

## SAFETY PRECAUTIONS

The following symbols are used in Onan manuals to alert users to the potentially dangerous conditions relating to maintenance of equipment and replacement of parts. Please read and observe.



*This symbol warns of immediate hazards which will result in severe personal injury or death.*



*This symbol refers to a hazard or unsafe practice which can result in severe personal injury or death.*



*This symbol refers to a hazard or unsafe practice which can result in severe personal injury or product or property damage.*

## PRODUCT SAFETY PRECAUTIONS



***Service and repair of Onan equipment must be performed by trained, experienced personnel only. Improper service or repair may result in property damage, severe personal injury or death. Do not use this catalog as a guide to servicing your equipment. Read and follow the IMPORTANT SAFETY INSTRUCTIONS in the Service Manual appropriate for the equipment you are working on.***



***Contact with USED ENGINE OILS has been identified by a United States federal agency and some USA state agencies as causing CANCER or REPRODUCTIVE TOXICITY. When checking or changing engine oils take all necessary precautions not to ingest, breathe the fumes or contact the used oil.***



***Contact with ASBESTOS has been identified by a United States federal agency and some USA state agencies as causing CANCER or REPRODUCTIVE TOXICITY. When handling engine gaskets take all necessary precautions not to ingest, breathe or contact the dust from the gaskets! Use adequate ventilation and wear protective gloves, masks and clothing!***



***Contact with BENZINE and LEAD, found in gasoline, fuel additives and solvents has been identified by a United States federal agency and some USA state agencies as causing CANCER or REPRODUCTIVE TOXICITY. When checking, draining or adding gasoline and fuel additives or using solvents take all necessary precautions not to ingest, breathe the fumes or contact the liquids. Use adequate ventilation and wear protective gloves, masks and protective clothing!***

## Introduction

This catalog applies to the OTPC 40/70/125 Amp Transfer Switch. Each illustrated part is identified by a reference number corresponding to the same reference number in the parts list for that group. Parts illustrations are typical. Using the model and spec number from the switch box nameplate, select the parts that apply to your Transfer Switch. Unless otherwise noted in the parts description, parts are interchangeable between models.

## Feature Options

Code	Description	Code	Description
A028	3-Pole Switch	L202	Auxiliary Relay – Emergency Position – 12 VDC
A035	Utility to Generator Set Applications	L203	Auxiliary Relay – Normal Position – 12 VDC
A036	Utility to Utility Applications	L204	Auxiliary Relay – Generator Start – 12 VDC
A037	Generator Set to Generator Set Applications	M003	Terminal Block – 30 Points
A041	One Phase – 2 or 3 wire	M007	Load Shed – From Emergency
A042	Three Phase – 3 or 4 wire	M017	Security – Front Panel
A044	Frequency – 60 Hz	M018	Display – Digital
A045	Frequency – 50 Hz	M020	Communications – Lonworks
A046	Listing – UL	M022	Monitoring – Load
A064	Listing – UL/NFPA–20	M023	Module – Relay Signal
B001	Cabinet – Type 1	N002	Terminal Block – Battery Charger Alarm
B002	Cabinet – Type 3R	N013	Harness – Extension
B003	Cabinet – Type 4	R020	Voltage – 120
B004	Construction – Open	R021	Voltage – 208
B010	Cabinet – Type 12	R022	Voltage – 220
C023	Control – Level 1	R023	Voltage – 240
C024	Control – Level 2	R024	Voltage – 380
D009	Meters – Bar Graph Display	R025	Voltage – 416
K001	Battery Charger – 2 Amp, 12/24V	R026	Voltage – 480
K002	Battery Charger – 10 Amp, 12V	R027	Voltage – 600
K003	Battery Charger – 10 Amp, 24V	R035	Voltage – 440
L101	Auxiliary Relay – 24 VDC Coil	R038	Voltage – 190
L102	Auxiliary Relay – Emergency Position – 24 VDC	S046	Current Rating – 40 Amps
L103	Auxiliary Relay – Normal Position – 24 VDC	S047	Current Rating – 70 Amps
L104	Auxiliary Relay – Generator Start – 24 VDC	S048	Current Rating – 125 Amps
L201	Auxiliary Relay – 12 VDC Coil		

# Index

- Actuator, Linear – Transfer Switch, **9**
- Alarm, Battery Charger, **22**
- Ammeter – DC – 10 Amp, 12 Volt Battery Charger, **25**
- Ammeter – DC – 10 Amp, 24 Volt Battery Charger, **27**
- Ammeter – DC – 2 Amp, 12/24 Volt Battery Charger, **23**
  
- Bar, Bus – Transfer Switch, **7**
- Bar, Interlock – Transfer Switch, **7**
- Bar, Neutral – Transfer Switch, **7**
- Barrier, Base – Transfer Switch, **7**
- Barrier, Handle – Transfer Switch, **7**
- Base, Mounting – Transfer Switch, **7**
- Block and Cross Bar Assembly – Transfer Switch, **7**
- Block, Hinge – Type 1 Cabinet, **13**
- Block, Terminal, **30**
- Block, Terminal – Battery Charger Alarm, **22**
- Block, Terminal – Network Module, **28**
- Block, Terminal – Transfer Switch, **7**
- Board, Printed Circuit – 10 Amp, 12 Volt Battery Charger, **25**
- Board, Printed Circuit – 10 Amp, 24 Volt Battery Charger, **27**
- Board, Printed Circuit – 2 Amp, 12/24 Volt Battery Charger, **23**
- Board, Printed Circuit – Bar Graph – Type 1 Cabinet, **13**
- Board, Printed Circuit – Bar Graph – Type 3R and 12 Cabinet, **15**
- Board, Printed Circuit – Bar Graph – Type 4 Cabinet, **17**
- Board, Printed Circuit – Current Transformer Module, **29**
- Board, Printed Circuit – Digital – Type 1 Cabinet, **13**
- Board, Printed Circuit – Digital – Type 3R and 12 Cabinet, **15**
- Board, Printed Circuit – Digital – Type 4 Cabinet, **17**
- Board, Printed Circuit – Network Module, **28**
- Board, Printed Circuit – Power Module – Type 1 Cabinet, **13**
- Board, Printed Circuit – Power Module – Type 3R and 12 Cabinet, **15**
- Board, Printed Circuit – Power Module – Type 4 Cabinet, **17**
- Board, Printed Circuit – Relay Module, **32**
- Bracket, Connector – Accessory Control Plate (600 Volt), **19**
- Bracket, Connector – Accessory Control Plate (Less than 600 Volt), **18**
- Bracket, Door – Type 4 Cabinet, **17**
- Bracket, End – Auxiliary Relay, **31**
- Bracket, End – Terminal – Battery Charger Alarm, **22**
- Bracket, End – Terminal – Network Module, **28**
- Breaker, Circuit – Transfer Switch, **9**
  
- Cabinet – Type 1, **13**
- Cabinet – Type 12, **15**
- Cabinet – Type 3R, **15**
- Cabinet – Type 4, **17**
- Capacitor – Transfer Switch, **9**
- Charger, Battery – 10 Amp, 12 Volt, **25**
- Charger, Battery – 10 Amp, 24 Volt, **27**
- Charger, Battery – 2 Amp, 12/24 Volt, **23**
- Cover, Charger – 10 Amp, 12 Volt Battery Charger, **25**
- Cover, Charger – 10 Amp, 24 Volt Battery Charger, **27**
- Cover, Charger – 2 Amp, 12/24 Volt Battery Charger, **23**
- Cover, Printed Circuit Board – Type 1 Cabinet, **13**
- Cover, Printed Circuit Board – Type 3R and 12 Cabinet, **15**
- Cover, Printed Circuit Board – Type 4 Cabinet, **17**
- Cover, Relay Plate – Accessory Control Plate (600 Volt), **19**
- Cover, Relay Plate – Accessory Control Plate (Less than 600 Volt), **18**
  
- Cover, Switch – Transfer Switch, **7**
  
- Door, Cabinet – Type 1, **13**
- Door, Cabinet – Type 3R and 12 Cabinet, **15**
- Door, Cabinet – Type 4 Cabinet, **17**
  
- Fuse – 10 Amp, 12 Volt Battery Charger, **25**
- Fuse – 10 Amp, 24 Volt Battery Charger, **27**
- Fuse – 2 Amp, 12/24 Volt Battery Charger, **23**
  
- Gasket, Door – Type 3R and 12 Cabinet, **15**
- Gasket, Door – Type 4 Cabinet, **17**
  
- Handle Assembly, Actuator, **10**
- Handle, Door – Type 3R and 12 Cabinet, **15**
- Handle, Locking – Type 1 Cabinet, **13**
- Harness, Wiring – 10 Amp, 12 Volt Battery Charger, **25**
- Harness, Wiring – 10 Amp, 24 Volt Battery Charger, **27**
- Harness, Wiring – 2 Amp, 12/24 Volt Battery Charger, **23**
- Harness, Wiring – Battery Charger, **21**
- Harness, Wiring – Battery Charger Alarm, **22**
- Harness, Wiring – Control – Open Construction, **20**
- Harness, Wiring – Current Transformer Module, **29**
- Harness, Wiring – Load Shed, **32**
- Harness, Wiring – Main – Type 1 Cabinet, **13**
- Harness, Wiring – Main – Type 3R and 12 Cabinet, **15**
- Harness, Wiring – Main – Type 4 Cabinet, **17**
- Harness, Wiring – Network Module, **28**
- Harness, Wiring – Transfer Switch, **7**
- Holder, Fuse – 10 Amp, 12 Volt Battery Charger, **25**
- Holder, Fuse – 10 Amp, 24 Volt Battery Charger, **27**
- Holder, Fuse – 2 Amp, 12/24 Volt Battery Charger, **23**
  
- Latch, Cam – Type 1 Cabinet, **13**
- Latch, Cam – Type 3R and 12 Cabinet, **15**
- Lead – Type 1 Cabinet, **13**
- Lead – Type 3R and 12 Cabinet, **15**
- Lead – Type 4 Cabinet, **17**
- Load Shed, **32**
- Lug, Solderless – Transfer Switch, **7**
- Lug, Solderless – Type 1 Cabinet, **13**
- Lug, Solderless – Type 3R and 12 Cabinet, **15**
- Lug, Solderless – Type 4 Cabinet, **17**
  
- Membrane, Panel – Type 1 Cabinet, **13**
- Membrane, Panel – Type 3R and 12 Cabinet, **15**
- Membrane, Panel – Type 4 Cabinet, **17**
- Module, Current Transformer, **29**
- Module, Digital Display – Type 1 Cabinet, **13**
- Module, Digital Display – Type 3R and 12 Cabinet, **15**
- Module, Digital Display – Type 4 Cabinet, **17**
- Module, Network, **28**
  
- Plate, Accessory Control (600 Volt), **19**
- Plate, Accessory Control (Less than 600 Volt), **18**
- Plate, End – Terminal – Battery Charger Alarm, **22**
- Plate, End – Terminal – Network Module, **28**
- Plate, Mounting – Battery Charger Alarm, **22**
- Plate, Mounting – Current Transformer Module, **29**
- Plate, Mounting – Load Shed, **32**
- Plate, Open Construction, **20**
- Plate, Relay – Accessory Control Plate (600 Volt), **19**
- Plate, Relay – Accessory Control Plate (Less than 600 Volt), **18**

# Index

Rail, Terminal – Auxiliary Relay, **31**  
Rail, Terminal Block – Battery Charger Alarm, **22**  
Rail, Terminal Block – Network Module, **28**  
Rectifier, Bridge – 10 Amp, 12 Volt Battery Charger, **25**  
Rectifier, Bridge – 10 Amp, 24 Volt Battery Charger, **27**  
Rectifier, Gate – 10 Amp, 12 Volt Battery Charger, **25**  
Rectifier, Gate – 10 Amp, 24 Volt Battery Charger, **27**  
Relay – Accessory Control Plate (600 Volt), **19**  
Relay – Accessory Control Plate (Less than 600 Volt), **18**  
Relay – Load Shed, **32**  
Relay, Auxiliary, **31**  
Relay, Control – Accessory Control Plate (600 Volt), **19**  
Relay, Control – Auxiliary Relay, **31**  
Resistor, Fixed – 2 Amp, 12/24 Volt Battery Charger, **23**  
Rod, Actuator – Transfer Switch, **7**  
Rod–End, Actuator – Transfer Switch, **7**

Spring, Conical – Type 4 Cabinet, **17**  
Standoff, Insulator – Transfer Switch, **7**

Strip, Marker – Transfer Switch, **7**  
Switch Assembly, Auxiliary, **11**  
Switch, Selector – Security, **33**  
Switch, Toggle – Accessory Control Plate (600 Volt), **19**  
Switch, Toggle – Accessory Control Plate (Less than 600 Volt), **18**

Transfer Switch Assembly, **7**  
Transformer – 10 Amp, 12 Volt Battery Charger, **25**  
Transformer – 10 Amp, 24 Volt Battery Charger, **27**  
Transformer – 2 Amp, 12/24 Volt Battery Charger, **23**  
Transformer, Current, **29**  
Transformer, Power – Type 1 Cabinet, **13**  
Transformer, Power – Type 3R and 12 Cabinet, **15**  
Transformer, Power – Type 4 Cabinet, **17**

Wrapper, Charger – 2 Amp, 12/24 Volt Battery Charger, **23**  
Wrapper, Charger – 10 Amp, 12 Volt Battery Charger, **25**  
Wrapper, Charger – 10 Amp, 24 Volt Battery Charger, **27**

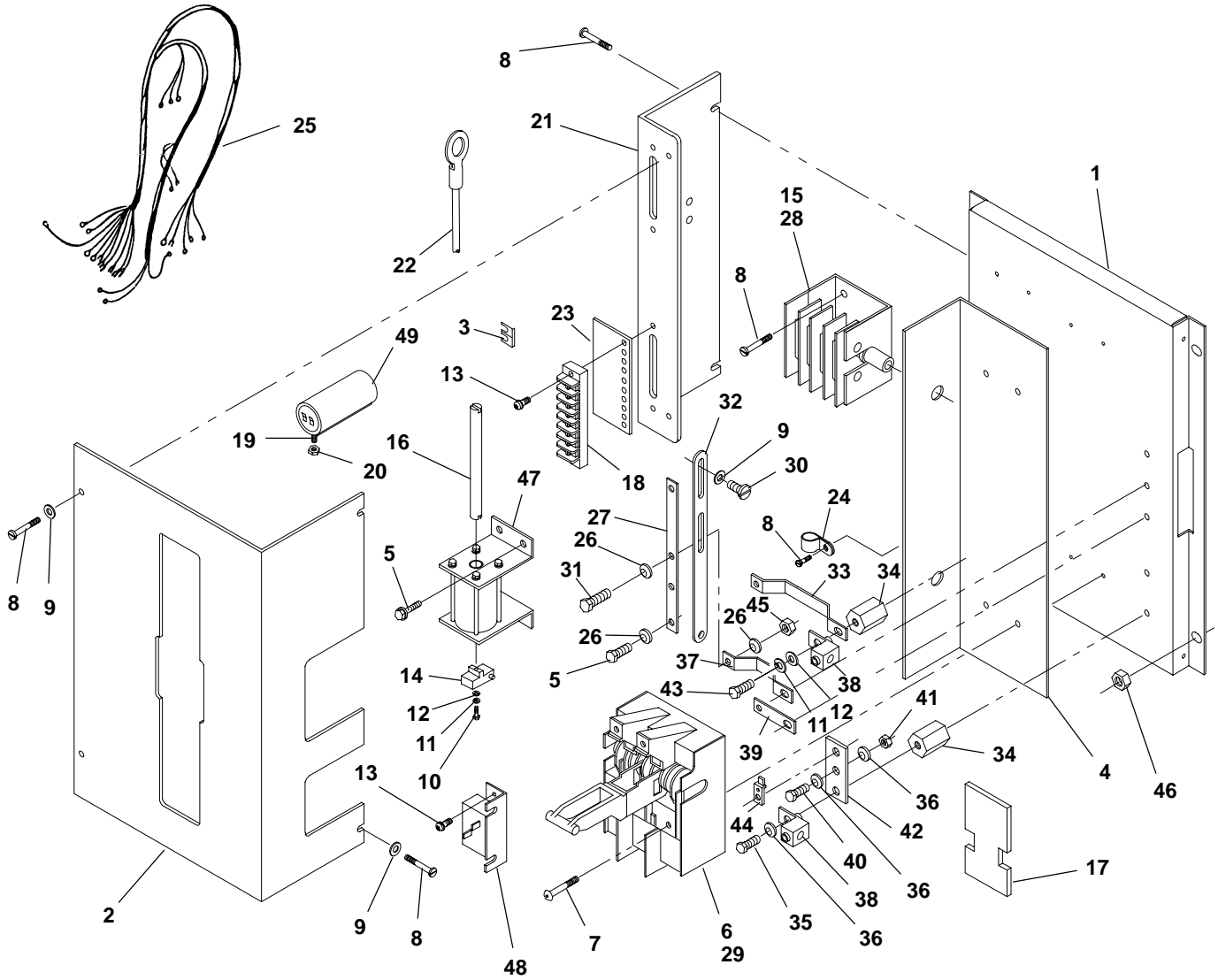
## Abbreviations

Some of the following abbreviations may be used throughout this Parts Catalog:

AC	Alternating Current	mm	Millimeter
Amp	Ampere	MOH	Mobile Off Highway
A/R	As Required	NFS	Not For Sale
AVR	Automatic Voltage Regulator	NPT	National Pipe Thread
AWG	American Wire Gauge	OD	Outside Diameter
CSA	Canadian Standard Association	oz.	Ounce
DC	Direct Current	PCB	Printed Circuit Board
Deg.	Degree	PDT	Form C Contacts
EFC	Electronic Fuel Control	Ph	Phase
EIT	External/Internal Tooth	PMG	Permanent Magnet Generator
EPROM	Erasable Programmable Read Only Memory	PT/CT	Potential Transformer/ Current Transformer
ET	External Tooth	RFI	Radio Frequency Interference
GFI	Ground Fault Interrupter	RT	Right
ID	Inside Diameter	SCR	Silicon Controlled Rectifier
IEC	International Electrotechnical Commission	Spec	Specification
IT	Internal Tooth	Thk	Thick
kW	Kilowatt	UL	Underwriters Laboratories Inc.
LPG	Liquid Petroleum Gas	UNC	Union National Coarse
LT	Left	UNF	Union National Fine
M(meter number)	Meter	VAC	Volts Alternating Current
MCM	Metric Circular Mils	VDC	Volts Direct Current
		W/(ET, IT, EIT)	With



# Transfer Switch





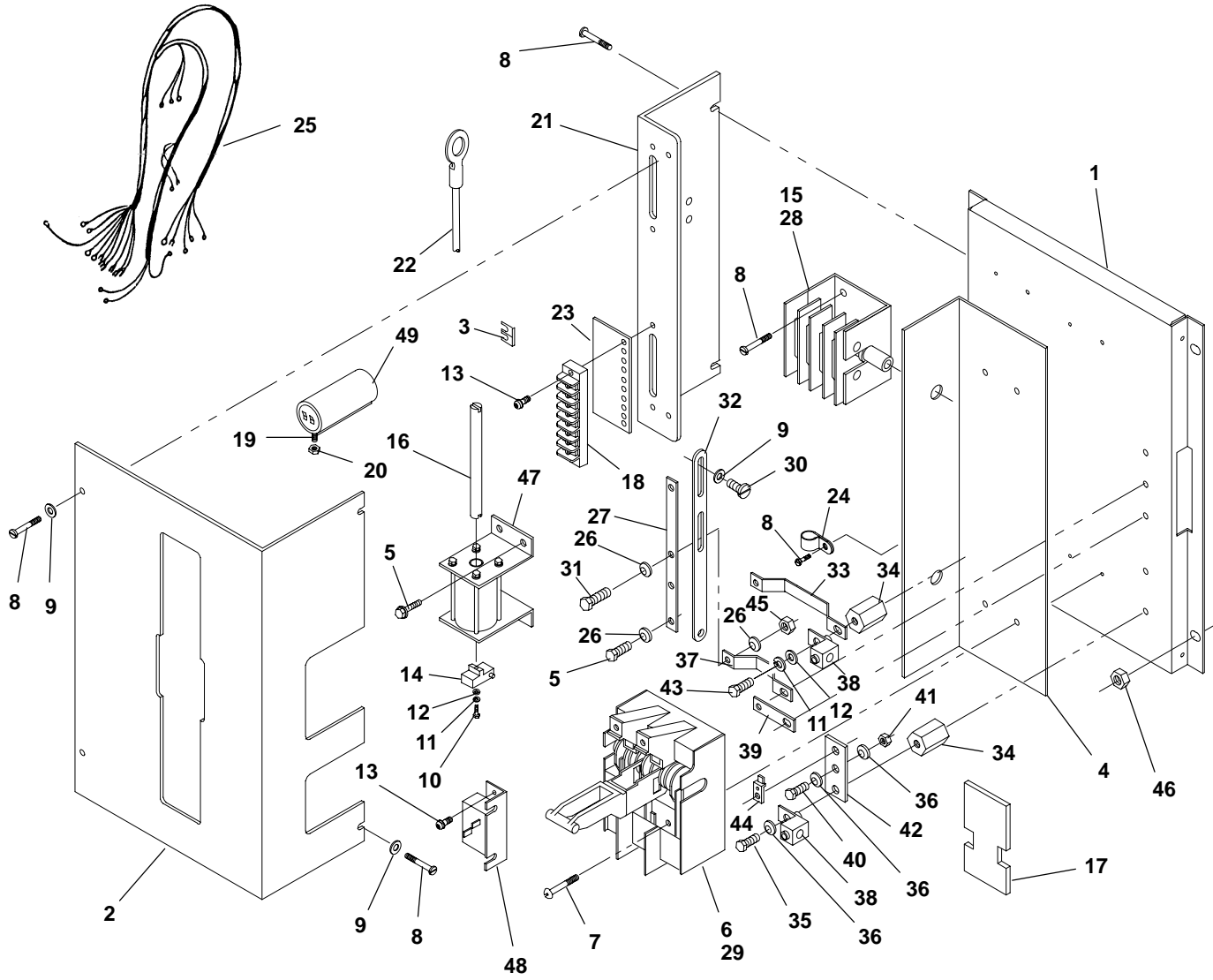
## Transfer Switch

REF NO.	PART NO.	QTY USED	PART DESCRIPTION	REF NO.	PART NO.	QTY USED	PART DESCRIPTION
			Transfer Switch Assembly	20	870-0131	4	Nut, Hex – W/ET (#10-32)
			<b>40 Amp</b>	21	306-3394	1	Bracket, Terminal
	306-4403-01	1	120 VAC	22	226-3380	1	Lead (380/416/440/480 VAC)
	306-4403-02	1	190 VAC	23	332-2903	2	Strip, Marker
	306-4403-03	1	208/220/240/600* VAC	24	332-2542	1	Clamp
	306-4403-04	1	380/416 VAC	25	338-3791	1	Harness, Transfer Switch
	306-4403-05	1	440/480 VAC	26	851-0031	9	Washer, Conical (#10)
			<b>70 Amp</b>	27	337-2314	3	Bar, Bus – Jumper
	306-4403-06	1	120 VAC	28	306-4174	1	Switch Assembly, Auxiliary – Normal (See Separate Page For Components)
	306-4403-07	1	190 VAC				
	306-4403-08	1	208/220/240/600* VAC				
	306-4403-09	1	380/416 VAC	29	306-2017	1	Block and Cross Bar Assembly – Normal
	306-4403-10	1	440/480 VAC				
			<b>125 Amp</b>	30	815-0538	2	Screw, Round Head – Cross Recessed – W/IT (#8-32 x .50)
	306-4403-11	1	120 VAC				
	306-4403-12	1	190 VAC				
	306-4403-13	1	208/220/240/600* VAC	31	815-0180	3	Screw, Cap – Hex Head (#10-32 x .75)
	306-4403-14	1	380/416 VAC				
	306-4403-15	1	440/480 VAC	32	306-3397	1	Bar, Interlock
1	306-3399	1	Base, Mounting	33	337-2315	1	Bar, Bus – Load
2	306-3396	1	Cover, Switch	34	332-2370	5	Standoff, Insulator
3	332-2605	1	Jumper, Terminal	35	800-0004	5	Screw, Cap – Hex Head (1/4-20 x .62)
4	306-3403	1	Barrier, Base				
5	821-0005	10	Screw, Self-Locking – Hex Washer Head (#10-32 x .50)	36	851-0027	6	Washer, Conical (1/4)
6	306-2013	1	Block and Cross Bar Assembly – Emergency	37	337-2316	1	Bar, Bus – Load
7	815-0653	4	Screw, Round Head – Cross Recessed (#10-32 x 1.75)	38	332-3084	6	Lug, Solderless
8	815-0652	15	Screw, Hex Head – Slotted – W/IT (#10-32 x .50)	39	337-2313	1	Bar, Bus – Load
9	526-0008	7	Washer, Flat (#10)	40	800-0005	1	Screw, Cap – Hex Head (1/4-20 x .75)
10	800-0008	2	Screw, Cap – Hex Head (1/4-20 x 1.25)	41	862-0001	1	Nut, Hex (1/4-20)
11	850-0040	7	Washer, Lock (1/4)	42	337-2317	1	Bar, Neutral
12	526-0018	7	Washer, Flat (1/4)	43	800-0003	5	Screw, Hex Head (1/4-20 x .50)
13	815-0651	6	Screw, Round Head – Cross Recessed (#6-32 x .75)	44	332-2366	2	Terminal
14	306-3400-01	2	Rod-End, Actuator	45	870-0053	3	Nut, Hex (#10-32)
15	306-4173	1	Switch Assembly, Auxiliary – Emergency (See Separate Page For Components)	46	870-0212	4	Nut, Self-Locking (1/4-20)
16	306-3395	1	Rod, Actuator				
17	306-1989	2	Barrier, Handle				
18	332-2832	2	Block, Terminal				
19	815-0029	4	Screw, Flat Head – Cross Recessed (#10-32 x .50)				

\* Switch is actually 208 volts – A large transformer in the system reduces the 600 volt system voltage down to 208 volts.

**Continued...**

# Transfer Switch

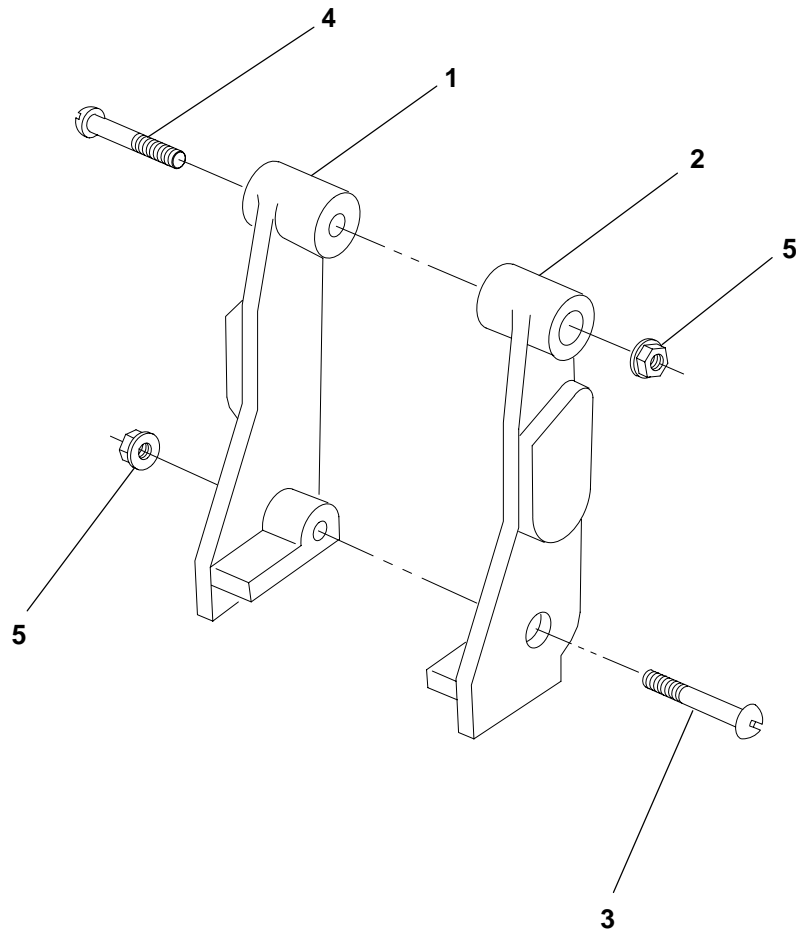


## Transfer Switch

REF NO.	PART NO.	QTY USED	PART DESCRIPTION	REF NO.	PART NO.	QTY USED	PART DESCRIPTION
<b>Continued...</b>				49	Capacitor		
47			Actuator, Linear				<b>40 Amp</b>
			<b>40 Amp</b>				120 VAC
	306-3401-01	1	120 VAC		312-0257-03	1	120 VAC
	306-3401-02	1	190 VAC		312-0257-02	1	190 VAC
	306-3401-03	1	208/220/240/600* VAC		312-0203	1	208/220/240/600* VAC
	306-3401-05	1	380/416 VAC		312-0228	2	380/416 VAC
	306-3401-06	1	440/480 VAC		312-0257-01	2	440/480 VAC
			<b>70 Amp</b>				<b>70 Amp</b>
	306-3401-01	1	120 VAC		312-0257-03	1	120 VAC
	306-3401-02	1	190 VAC		312-0257-02	1	190 VAC
	306-3401-03	1	208/220/240/600* VAC		312-0203	1	208/220/240/600* VAC
	306-3401-05	1	380/416 VAC		312-0228	2	380/416 VAC
	306-3401-06	1	440/480 VAC		312-0257-01	2	440/480 VAC
			<b>125 Amp</b>				<b>125 Amp</b>
	306-3401-01	1	120 VAC		312-0257-03	1	120 VAC
	306-3401-02	1	190 VAC		312-0257-02	1	190 VAC
	306-3401-03	1	208/220/240/600* VAC		312-0203	1	208/220/240/600* VAC
	306-3401-05	1	380/416 VAC		312-0228	2	380/416 VAC
	306-3401-06	1	440/480 VAC		312-0257-01	2	440/480 VAC
48			Breaker, Circuit				
			<b>40 Amp</b>				
	320-0608	1	120 VAC				
	320-0606	1	190 VAC				
	320-0606	1	208/220/240/600* VAC				
	320-0876	1	380/416 VAC				
	320-0876	1	440/480 VAC				
			<b>70 Amp</b>				
	320-0608	1	120 VAC				
	320-0606	1	190 VAC				
	320-0606	1	208/220/240/600* VAC				
	320-0876	1	380/416 VAC				
	320-0876	1	440/480 VAC				
			<b>125 Amp</b>				
	320-0608	1	120 VAC				
	320-0606	1	190 VAC				
	320-0606	1	208/220/240/600* VAC				
	320-0876	1	380/416 VAC				
	320-0876	1	440/480 VAC				

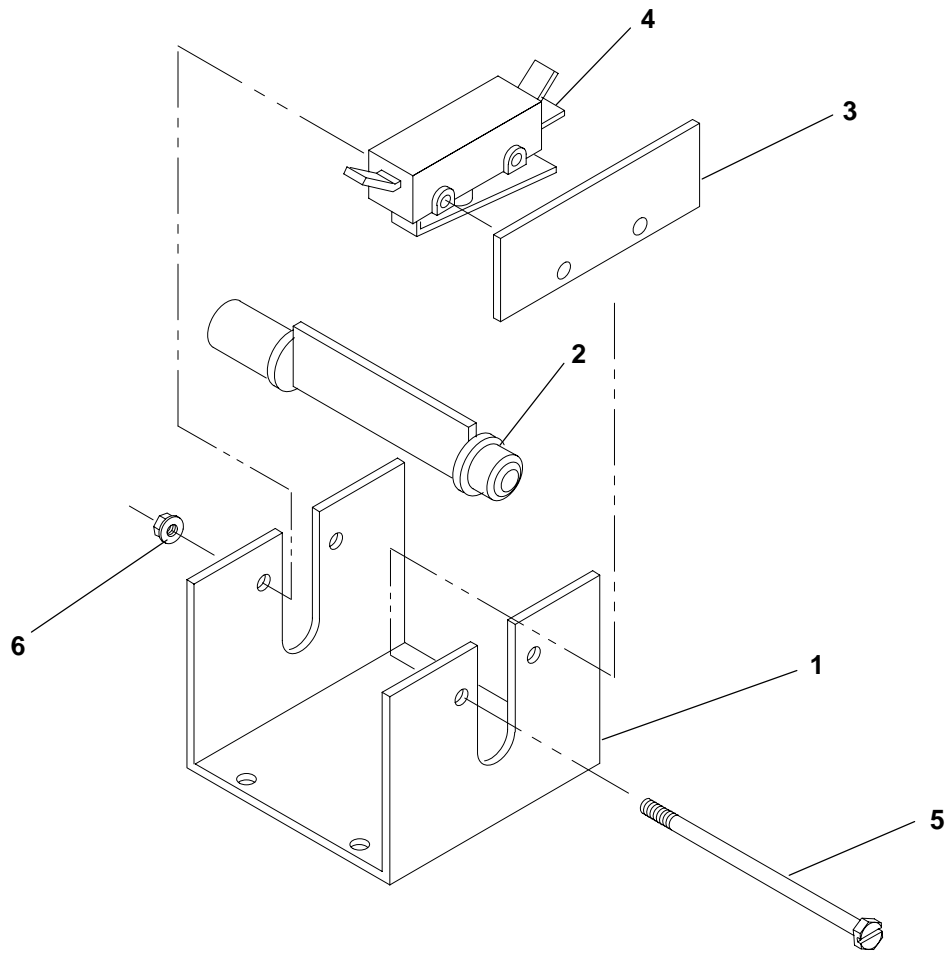
\* Switch is actually 208 volts – A large transformer in the system reduces the 600 volt system voltage down to 208 volts.

## Actuator Handle Assembly



REF NO.	PART NO.	QTY USED	PART DESCRIPTION	REF NO.	PART NO.	QTY USED	PART DESCRIPTION
	306-1996	2	Handle Assembly, Actuator	4	812-0068	1	Screw, Machine – Round Head (#6-32 x 1)
1	306-1994	1	Handle, Switch – Left Hand	5	870-0201	2	Nut, Lock (#6-32)
2	306-1995	1	Handle, Switch – Right Hand				
3	812-0066	1	Screw, Machine – Round Head (#6-32 x 3/4)				

## Auxiliary Switch Assembly



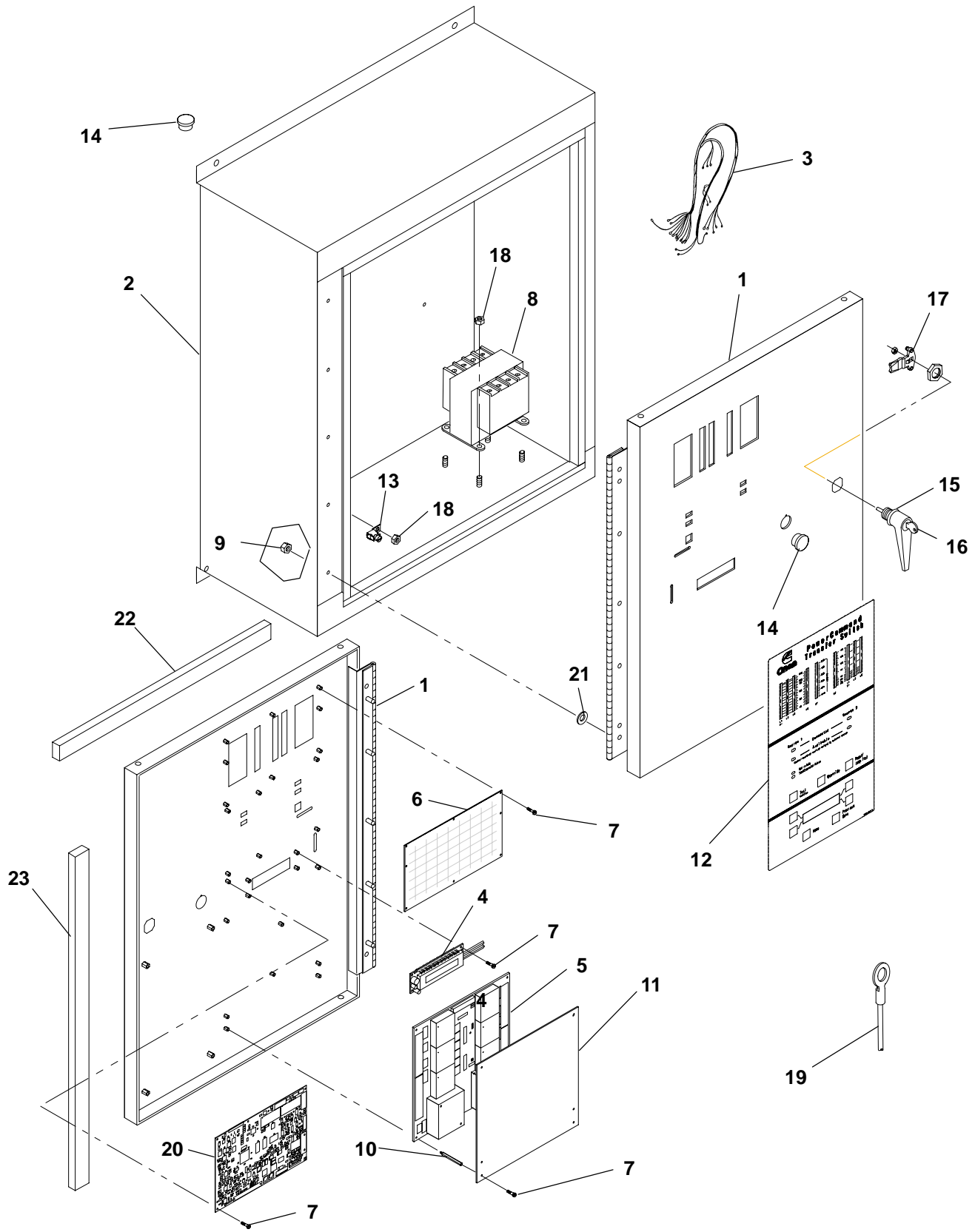
REF NO.	PART NO.	QTY USED	PART DESCRIPTION	REF NO.	PART NO.	QTY USED	PART DESCRIPTION
	306-4174	1	Switch Assembly, Auxiliary Normal	3	306-3391	5	Barrier, Switch
	306-4173	1	Emergency	4	309-0393	4	Switch, Action – Snap
1	306-4163	1	Bracket, Switch – Auxiliary	5	815-0686	2	Screw, Machine – Hex Head (#6-32 x 3-1/4)
2	306-1993	1	Lever, Switch – Auxiliary	6	870-0201	2	Nut, Lock (#6-32)



## Cabinet Type 1

REF NO.	PART NO.	QTY USED	PART DESCRIPTION	REF NO.	PART NO.	QTY USED	PART DESCRIPTION
1	319-3858-02	1	Door, Cabinet	10	508-1114	3	Edge, Protection
2	319-3856-02	1	Cabinet	11	853-2005	8	Washer, Lock – W/ET (M5)
3			Harness, Main	12	800-2000	8	Screw, Cap – Hex Head (M5 x 8)
			<b>Level 1 Control</b>				
	338-3838-01	1	All Except 600 VAC	13	870-2216	4	Standoff, Male Snap
	338-3851-01	1	600 VAC	14	306-4523	1	Cover, Printed Circuit Board
			<b>Level 2 Control</b>	15			Membrane, Panel
	338-3852-01	1	All Except 600 VAC				<b>Level 1 Control</b>
	338-3853-01	1	600 VAC		300-5185	1	Without Digital Display
			<b>Generator to Generator Applications</b>		300-5186	1	With Digital Display
	338-3852-03	1	All Except 600 VAC		300-5186	1	<b>Level 2 Control</b>
	338-3853-03	1	600 VAC				Without Meters–Bar Graph
4	300-5151	1	Module, Digital Display		300-5271	1	Display
5			Board, Printed Circuit – Power Module				With Meters–Bar Graph Display
			<b>Level 1 Control</b>	16	332-3647	1	Lug, Solderless (1/4")
	300-5148-01	1	120 VAC	17	508-1045	2	Edge, Protection
	300-5148-02	1	208/220/280/440/480 VAC	18	406-0810	2	Block, Hinge
	300-5148-03	1	600 VAC	19	517-0135	4	Plug, Hole
	300-5148-04	1	190/380/416 VAC	20	406-0809	1	Handle, Locking (Includes Hardware and 2 Keys)
			<b>Level 2 Control</b>	21	406-0933	1	Latch, Cam (1 Point)
	300-5149-01	1	120 VAC	22	517-0137	1	Plug, Hole
	300-5149-02	1	208/220/280/440/480 VAC	23	870-0212	4	Nut, Self-Locking (1/4–20)
	300-5149-03	1	600 VAC	24	800-0003	4	Screw, Cap – Hex Head (1/4–20 x .50)
	300-5149-04	1	190/380/416 VAC	25			Lead (Quantity Used as Required)
6	300-5180	1	Board, Printed Circuit – Bar Graph		226-3554-01	1	6.0"
7	815-0959-03	26	Screw, Pan Head (M3 x 8)		226-3554-02	1	3.0"
8	315-0662	1	Transformer, Power (600 VAC Only)	26		1	Board, Printed Circuit – Digital
9	815-0261	1	Screw, Hex Washer Head – Thread Forming (1/4–20 x .50)		300-5146	1	Level 1 Control
					300-5147-01	1	Level 2 Control

# Cabinet Type 3R and 12

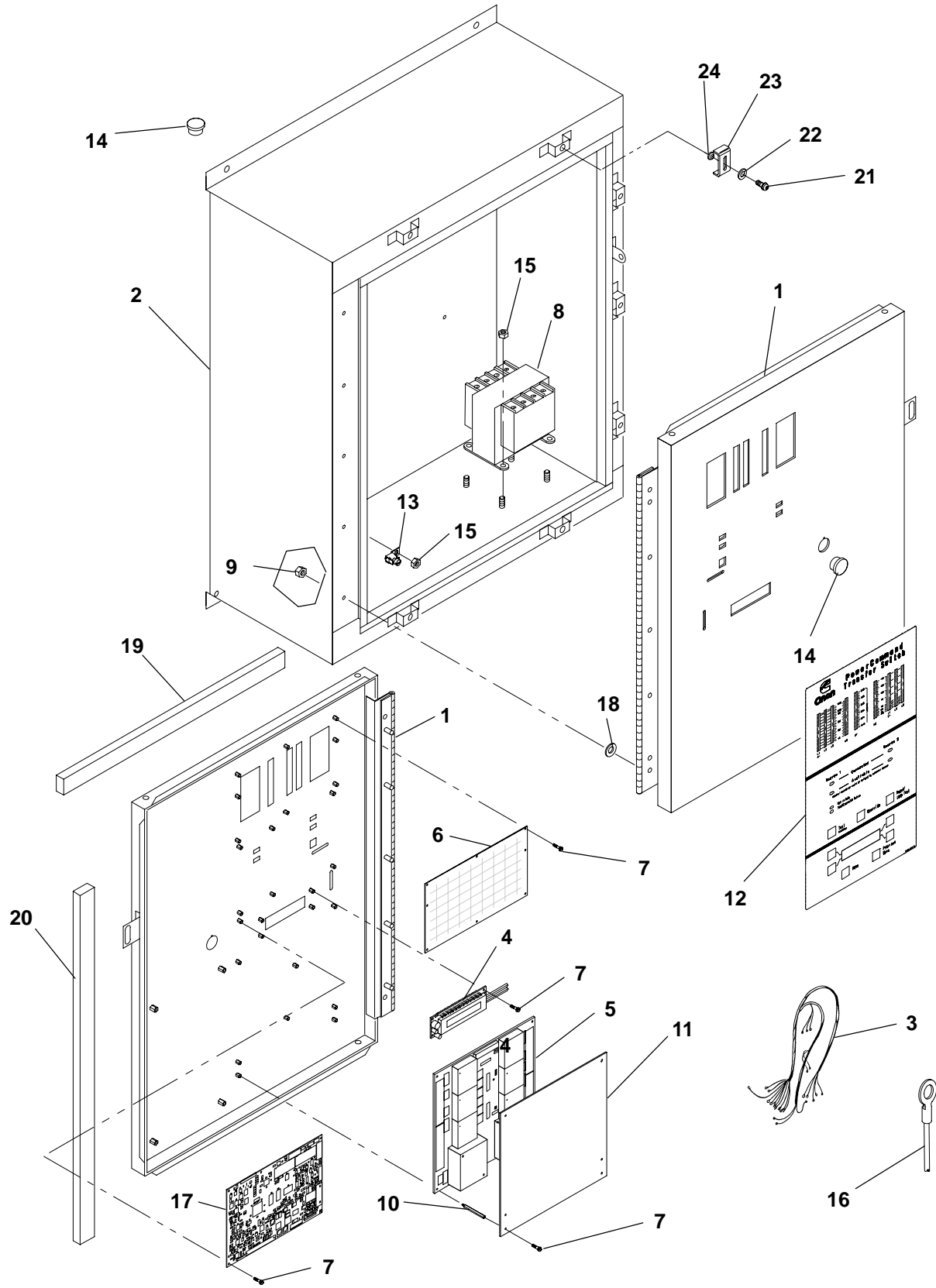




## Cabinet Type 3R and 12

REF NO.	PART NO.	QTY USED	PART DESCRIPTION	REF NO.	PART NO.	QTY USED	PART DESCRIPTION
1	319-3855-02	1	Door, Cabinet	7	815-0959-03	26	Screw, Pan Head (M3 x 8)
2			Cabinet	8	315-0662	1	Transformer, Power (600 VAC Only)
	319-3852-03	1	Type 3R Cabinet	9	870-0131	5	Nut, Hex - W/ET (10-32)
	319-3852-04	1	Type 12 Cabinet	10	870-2216	4	Standoff, Male Snap
3			Harness, Main	11	306-4523	1	Cover, Printed Circuit Board
			<b>Level 1 Control</b>	12			Membrane, Panel
	338-3838-01	1	All Except 600 VAC				<b>Level 1 Control</b>
	338-3851-01	1	600 VAC		300-5185	1	Without Digital Display
			<b>Level 2 Control</b>		300-5186	1	With Digital Display
	338-3852-01	1	All Except 600 VAC				<b>Level 2 Control</b>
	338-3853-01	1	600 VAC		300-5186	1	Without Meters-Bar Graph
			<b>Generator to Generator Applications</b>				Display
	338-3852-03	1	All Except 600 VAC		300-5271	1	With Meters-Bar Graph
	338-3853-03	1	600 VAC				Display
4	300-5151	1	Module, Digital Display	13	332-3647	1	Lug, Solderless (1/4")
5			Board, Printed Circuit - Power	14	517-0266	5	Plug, Hole
			Module	15	406-0613	1	Handle, Door (Includes Key)
			<b>Level 1 Control</b>	16	406-0649	1	Key, Replacement
	300-5148-01	1	120 VAC	17	306-3525	1	Latch, Cam (3 Point)
	300-5148-02	1	208/220/240/440/480 VAC	18	870-0212	5	Nut, Self-Locking (1/4-20)
			600 VAC	19			Lead (Quantity Used as Required)
	300-5148-03	1	190/380/416 VAC		226-3554-01	1	6.0"
	300-5148-04	1			226-3554-02	1	3.0"
			<b>Level 2 Control</b>	20		1	Board, Printed Circuit - Digital
	300-5149-01	1	120 VAC		300-5146	1	Level 1 Control
	300-5149-02	1	208/220/240/440/480 VAC		300-5147-01	1	Level 2 Control
			600 VAC	21	508-0233	5	Washer, Rubber
	300-5149-03	1	190/380/416 VAC	22	895-0293-01	2	Gasket, Door
6	300-5180	1	Board, Printed Circuit - Bar Graph	23	895-0293-02	2	Gasket, Door

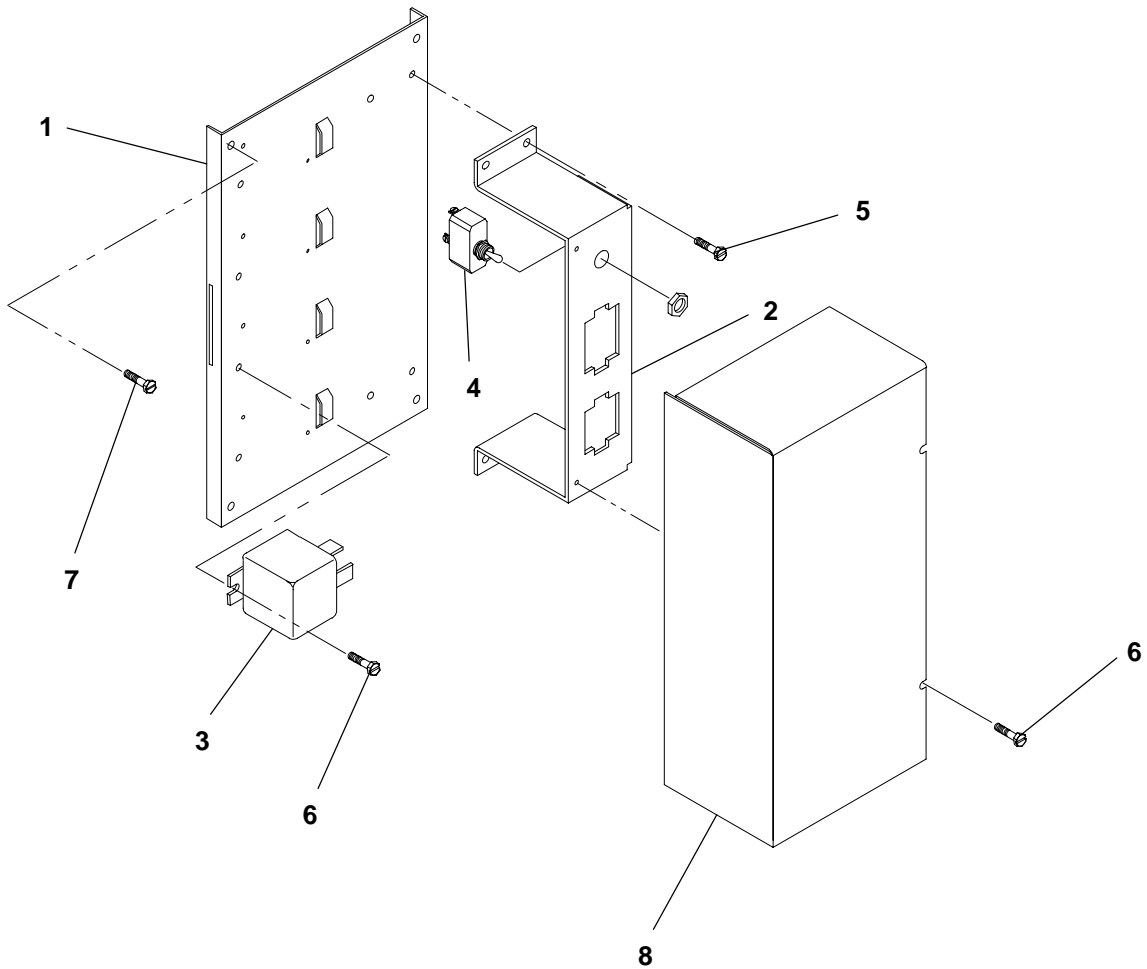
# Cabinet Type 4



## Cabinet Type 4

REF NO.	PART NO.	QTY USED	PART DESCRIPTION	REF NO.	PART NO.	QTY USED	PART DESCRIPTION
1	319-3853-02	1	Door, Cabinet	9	870-0131	5	Nut, Hex – W/ET (10-32)
2	319-3859-02	1	Cabinet	10	870-2216	4	Standoff, Male Snap
3			Harness, Main	11	306-4523	1	Cover, Printed Circuit Board
			<b>Level 1 Control</b>	12			Membrane, Panel
	338-3838-01	1	All Except 600 VAC				<b>Level 1 Control</b>
	338-3851-01	1	600 VAC		300-5185	1	Without Digital Display
			<b>Level 2 Control</b>		300-5186	1	With Digital Display
	338-3852-01	1	All Except 600 VAC				<b>Level 2 Control</b>
	338-3853-01	1	600 VAC		300-5186	1	Without Meters-Bar Graph
			<b>Generator to Generator Applications</b>				Display
	338-3852-03	1	All Except 600 VAC		300-5271	1	With Meters-Bar Graph
	338-3853-03	1	600 VAC				Display
4	300-5151	1	Module, Digital Display	13	332-3647	1	Lug, Solderless (1/4")
5			Board, Printed Circuit – Power Module	14	517-0266	5	Plug, Hole
			<b>Level 1 Control</b>	15	870-0212	5	Nut, Self-Locking (1/4-20)
	300-5148-01	1	120 VAC	16			Lead (Quantity Used as Required)
	300-5148-02	1	208/220/240/480/480 VAC		226-3554-01	1	6.0"
	300-5148-03	1	600 VAC		226-3554-02	1	3.0"
	300-5148-04	1	190/380/416 VAC	17		1	Board, Printed Circuit – Digital
			<b>Level 2 Control</b>		300-5146	1	Level 1 Control
	300-5149-01	1	120 VAC		300-5147-01	1	Level 2 Control
	300-5149-02	1	208/220/240/440/480 VAC	18	508-0233	5	Washer, Rubber
			600 VAC	19	895-0293-01	2	Gasket, Door
	300-5149-03	1	190/380/416 VAC	20	895-0293-02	2	Gasket, Door
	300-5149-04	1	600 VAC	21	812-0177	7	Screw, Round Head (5/16-18 x .75)
6	300-5180	1	Board, Printed Circuit – Bar Graph	22	526-0022	7	Washer, Flat (5/16)
7	815-0959-03	26	Screw, Pan Head (M3 x 8)	23	301-6727	7	Bracket, Door
8	315-0662	1	Transformer, Power (600 VAC Only)	24	406-0519	7	Spring, Conical

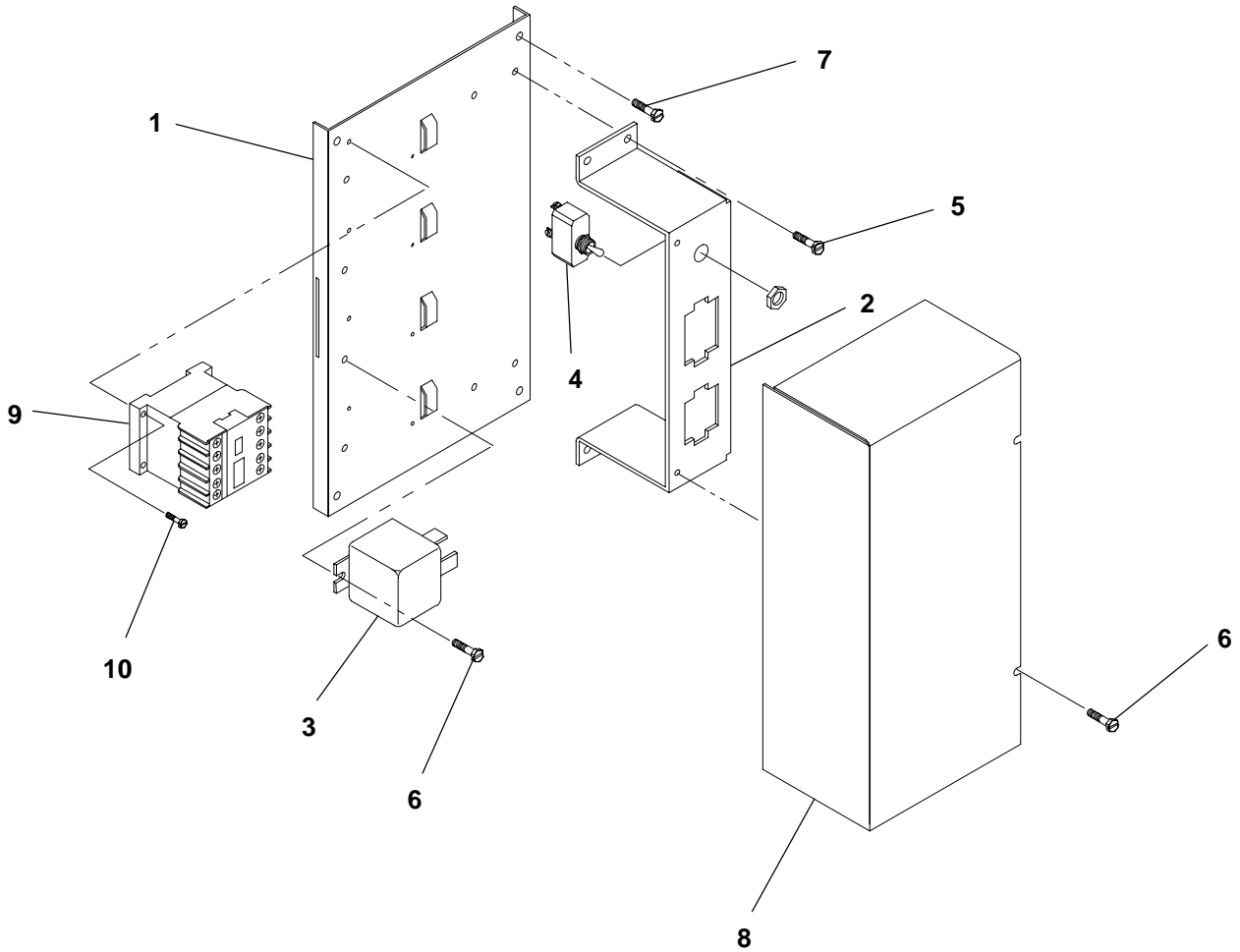
## Accessory Control Plate (Less than 600 Volt)



CP01

REF NO.	PART NO.	QTY USED	PART DESCRIPTION	REF NO.	PART NO.	QTY USED	PART DESCRIPTION
1	319-3940-02	1	Plate, Relay	6	815-0792-02	5	Screw, Pan Head – Crossed Recessed (M4 x 8)
2	319-3941-02	1	Bracket, Connector	7	815-0960-04	4	Screw, Pan Head – Crossed Recessed (M4 x 12)
3	307-2929	3	Relay – 3PDT	8	319-3942-02	1	Cover, Relay Plate
4	308-0406	1	Switch, Toggle				
5	815-0955-03	4	Screw, Phillips/Hex Head – GND (M4 x 10)				

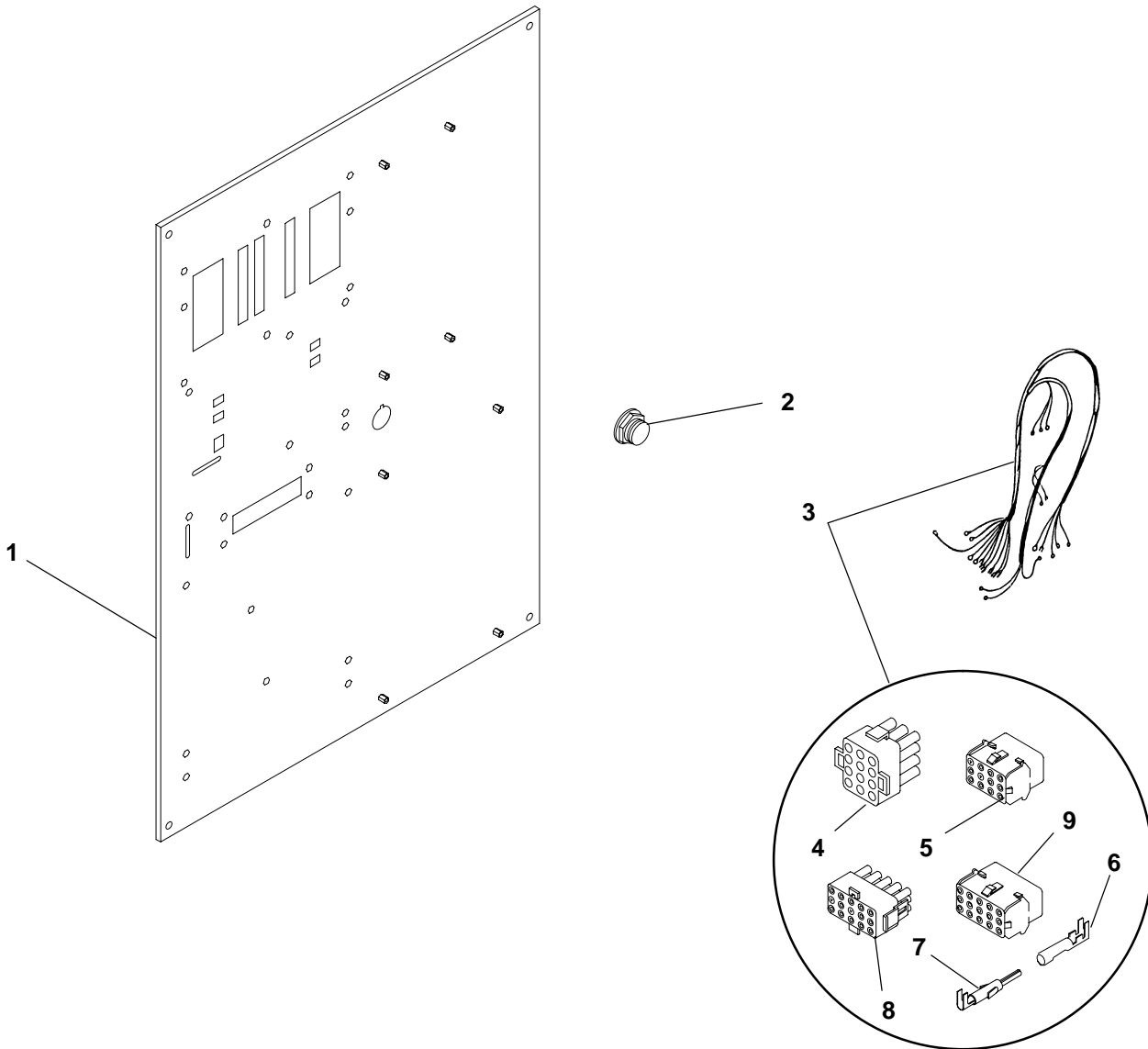
## Accessory Control Plate (600 Volt)



R027

REF NO.	PART NO.	QTY USED	PART DESCRIPTION	REF NO.	PART NO.	QTY USED	PART DESCRIPTION
1	319-3940-02	1	Plate, Relay	7	815-0960-04	4	Screw, Pan Head – Crossed Recessed (M4 x 12)
2	319-3941-02	1	Bracket, Connector	8	319-3942-02	1	Cover, Relay Plate
3	307-2929	1	Relay – 3PDT	9	307-2931	2	Relay, Control
4	308-0406	1	Switch, Toggle	10	815-0958-04	4	Screw, Pan Head – Cross Recessed (M3 x 12)
5	815-0955-03	4	Screw, Phillips/Hex Head – GND (M4 x 10)				
6	815-0792-02	3	Screw, Pan Head – Crossed Recessed (M4 x 8)				

## Plate and Wiring Harness (Open Construction)



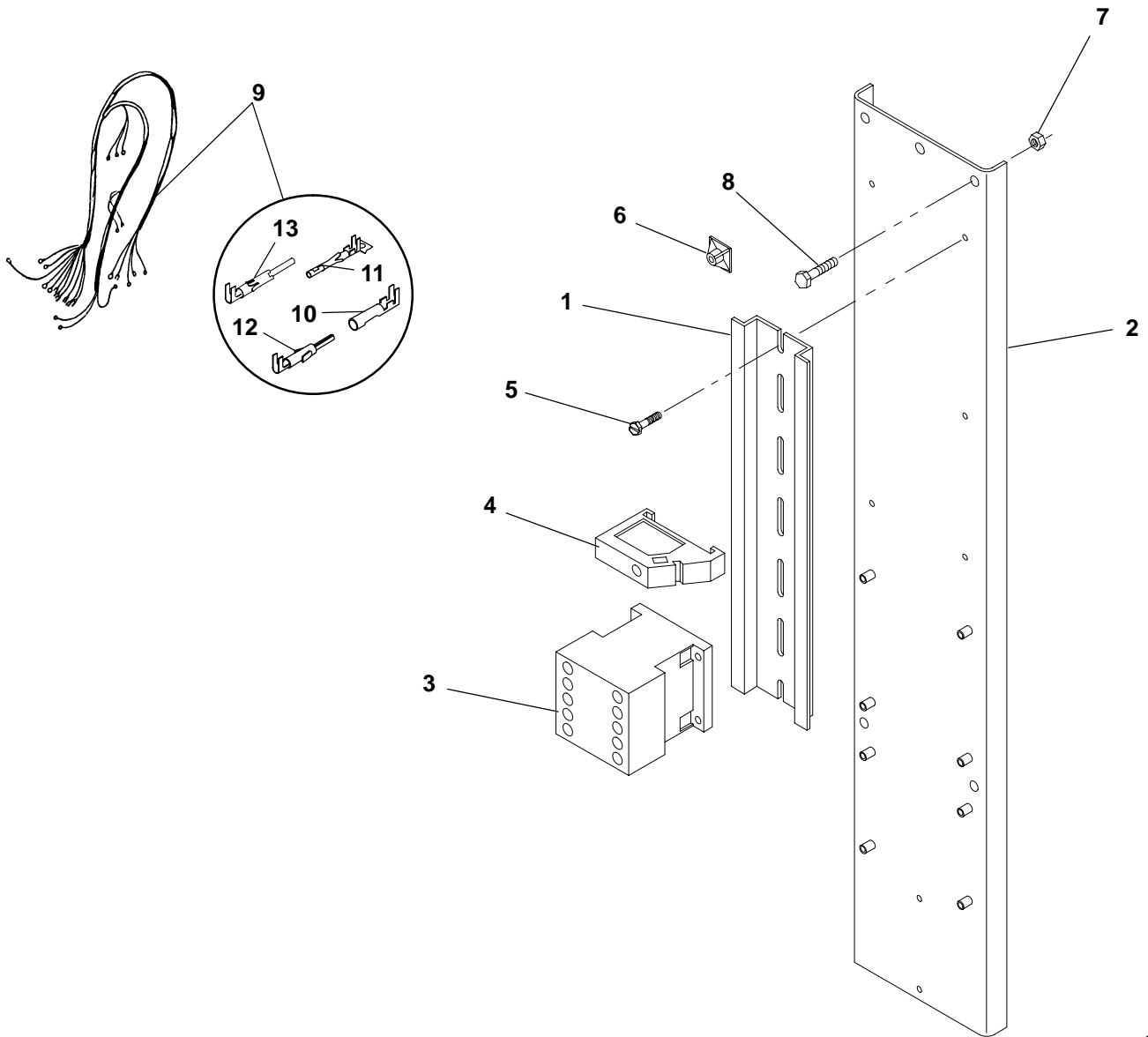
B004, N013

REF NO.	PART NO.	QTY USED	PART DESCRIPTION
1	319-4011-02	1	Plate, Open Construction
2	517-0266	1	Plug, Hole
3	338-2219	1	Harness, Control (Optional) With 12 Pin Connector (Includes Parts Marked *)
	338-2220	1	With 15 Pin Connector (Includes Parts Marked #)
4	323-1314	1	* Plug, Connector (12 Pin) (P2)
5	323-1315	1	* Cap, Connector (12 Pin) (J2)

REF NO.	PART NO.	QTY USED	PART DESCRIPTION
6			*# Socket, Contact
	323-1200	12	338-2219 Wiring Harness
	323-1200	15	338-2220 Wiring Harness
7			*# Pin, Contact
	323-1199	12	338-2219 Wiring Harness
	323-1199	15	338-2220 Wiring Harness
8	323-1252	1	# Plug, Connector (15 Pin) (P1)
9	323-1253	1	# Cap, Connector (15 Pin) (J1)

\* – Parts Included in 338-2219 Wiring Harness  
# – Parts Included in 338-2220 Wiring Harness

## Wiring Harness Battery Charger (Generator Set to Generator Set)

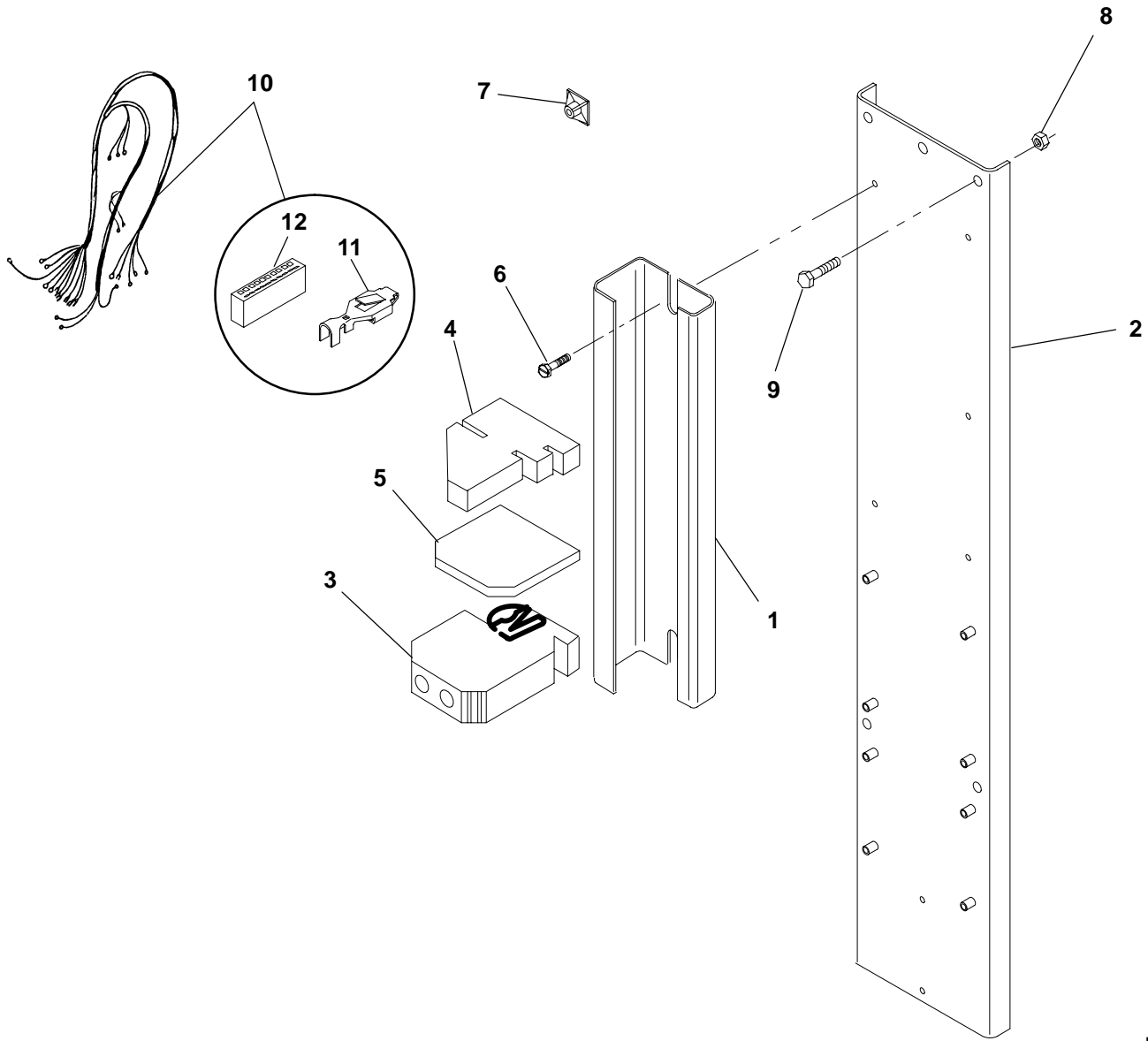


A037

REF NO.	PART NO.	QTY USED	PART DESCRIPTION	REF NO.	PART NO.	QTY USED	PART DESCRIPTION
1	332-2879-04	1	Rail, Terminal	9	338-3836	1	Harness, Battery Charger (Includes Parts Marked *)
2	319-3943	1	Plate, Mounting	10	323-1200	2	* Socket, Contact
3	307-2873	1	Relay, Control (12 VDC)	11	332-3606	1	* Socket, Contact
4	332-2878	2	Bracket, End	12	323-1199	2	* Pin, Contact
5	815-0955-03	2	Screw, Phillips/Hex Head – GND (M4 x 10)	13	323-1703	2	* Pin, Contact
6	332-2420	2	Mount, Cable Tie				
7	870-0212	4	Nut, Self-Locking (1/4-20)				
8	800-0005	4	Screw, Cap – Hex Head (1/4-20 x .75)				

\* – Parts Included in 338-3836 Wiring Harness

## Battery Charger Alarm



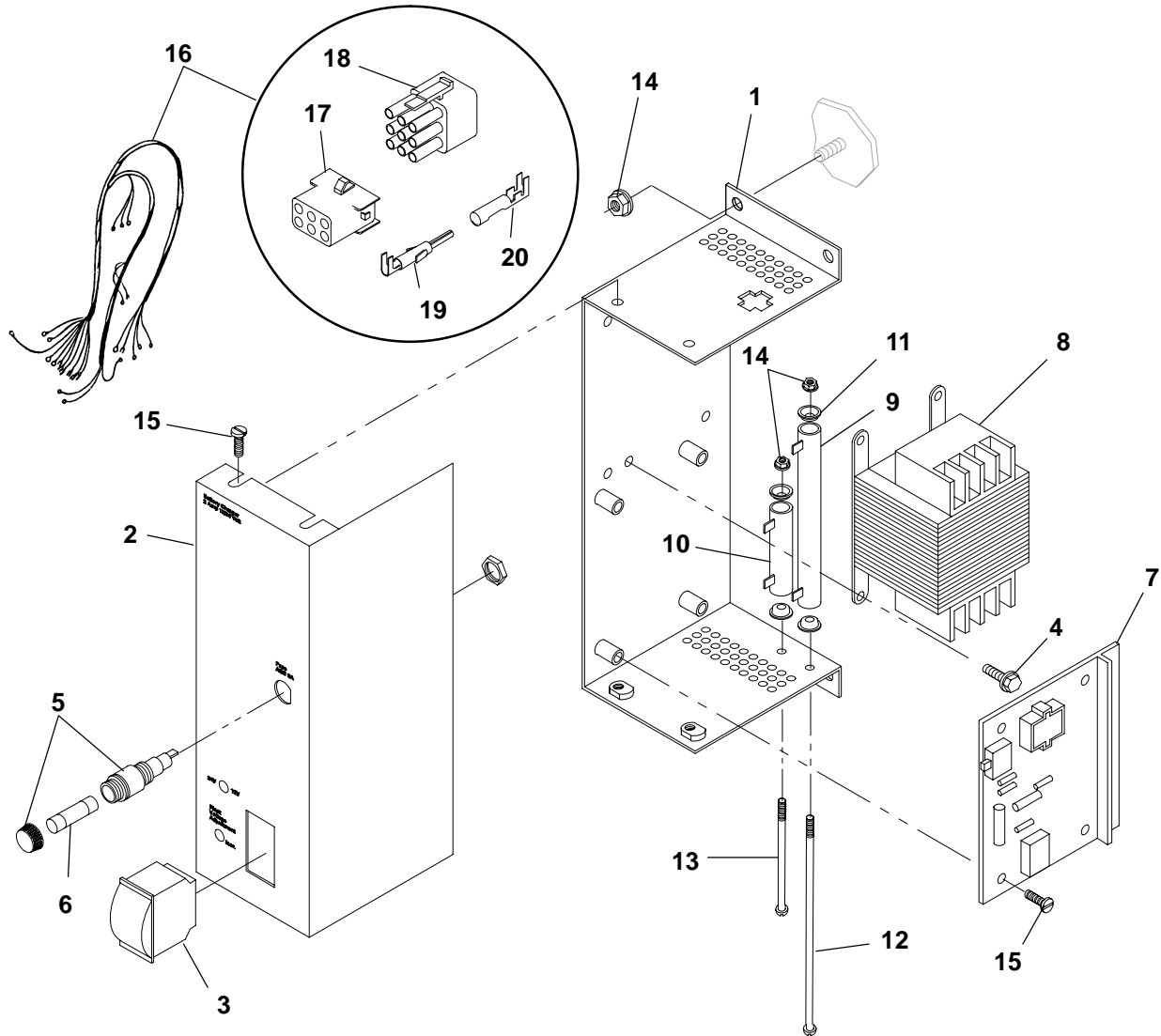
N002

REF NO.	PART NO.	QTY USED	PART DESCRIPTION	REF NO.	PART NO.	QTY USED	PART DESCRIPTION
1	332-2837-09	1	Rail, Terminal Block	9	800-0005	4	Screw, Cap – Hex Head (1/4–20 x .75)
2	319-3943	1	Plate, Mounting	10	338-2349	1	Harness, Alarm (Includes Parts Marked *)
3	332-2836-02	1	Block, Terminal (Sectional)	11	323-1302	9	* Pin, Contact (J2)
4	332-2839	2	Bracket, End – Terminal	12	323-1374-10	1	* Housing, Connector (10 Pin) (J2)
5	332-2841	1	Plate, End – Terminal				
6	815-0955-03	2	Screw, Phillips/Hex Head – GND (M4 x 10)				
7	332-2420	2	Mount, Cable Tie				
8	870-0212	4	Nut, Self-Locking (1/4–20)				

\* – Parts Included in 338-2349 Wiring Harness



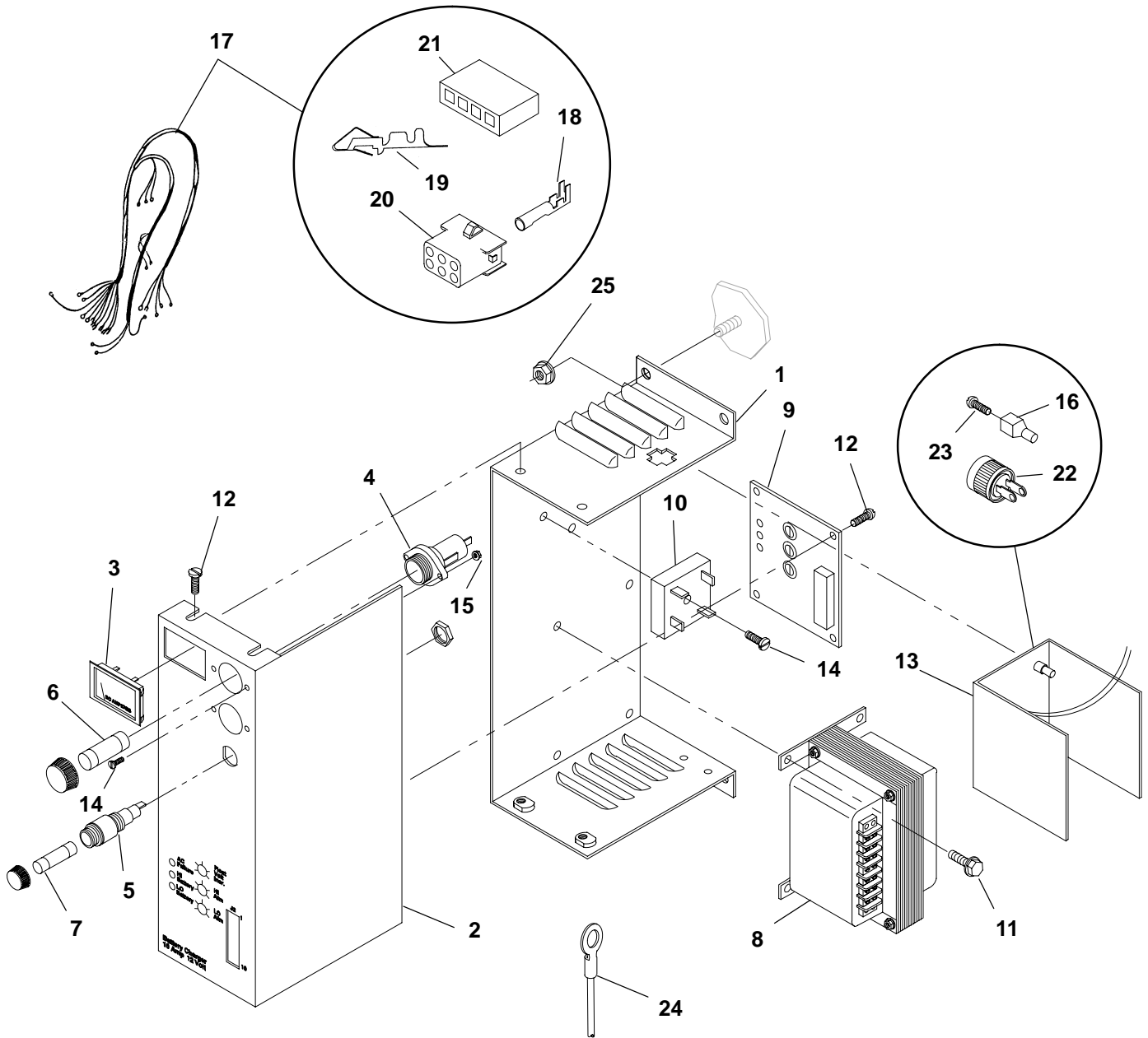
## Battery Charger 2 Amp, 12/24 Volt



REF NO.	PART NO.	QTY USED	PART DESCRIPTION	REF NO.	PART NO.	QTY USED	PART DESCRIPTION
1	301-9990	1	Wrapper, Charger – Battery	13	813-0112	1	Screw, Machine – Round Head (#10-32 x 2-1/2)
2	301-9991	1	Cover, Charger – Battery	14	870-0131	6	Nut, Hex – W/ET (#10-32)
3	302-0807	1	Ammeter, DC	15	815-0845	8	Screw, Pan Head – W/ET (#6-32 x 3/8)
4	821-0040	4	Screw, Machine – Locking Head Slotted (#10-32 x 5/16)	16	338-2149	1	Harness, Wiring (Includes Parts Marked #)
5	321-0175	1	Holder, Fuse	17	323-1318	1	*Cap, 6 pin (J6)
6	321-0153	1	Fuse, 3 Amp	18	323-1291	1	*Plug, 9 pin (P9)
7	300-2946	1	Board, Printed Circuit	19	323-1199	A/R	*Pin, Terminal
8			Transformer	20	323-1200	A/R	*Socket, Terminal
	315-0621-01	1	120 Volt				
	315-0621-02	1	208/240/480 Volt				
	315-0621-03	1	380/416 Volt				
	315-0621-04	1	600 Volt				
9	304-0037	1	Resistor, Fixed				
10	304-0139	1	Resistor, Fixed				
11	304-0015	4	Washer, Centering (7/32")				
12	813-0116	1	Screw, Machine – Round Head (#10-32 x 6-1/2)				

\* – Parts Included in 338-2149 Wiring Harness

# Battery Charger 10 Amp, 12 Volt



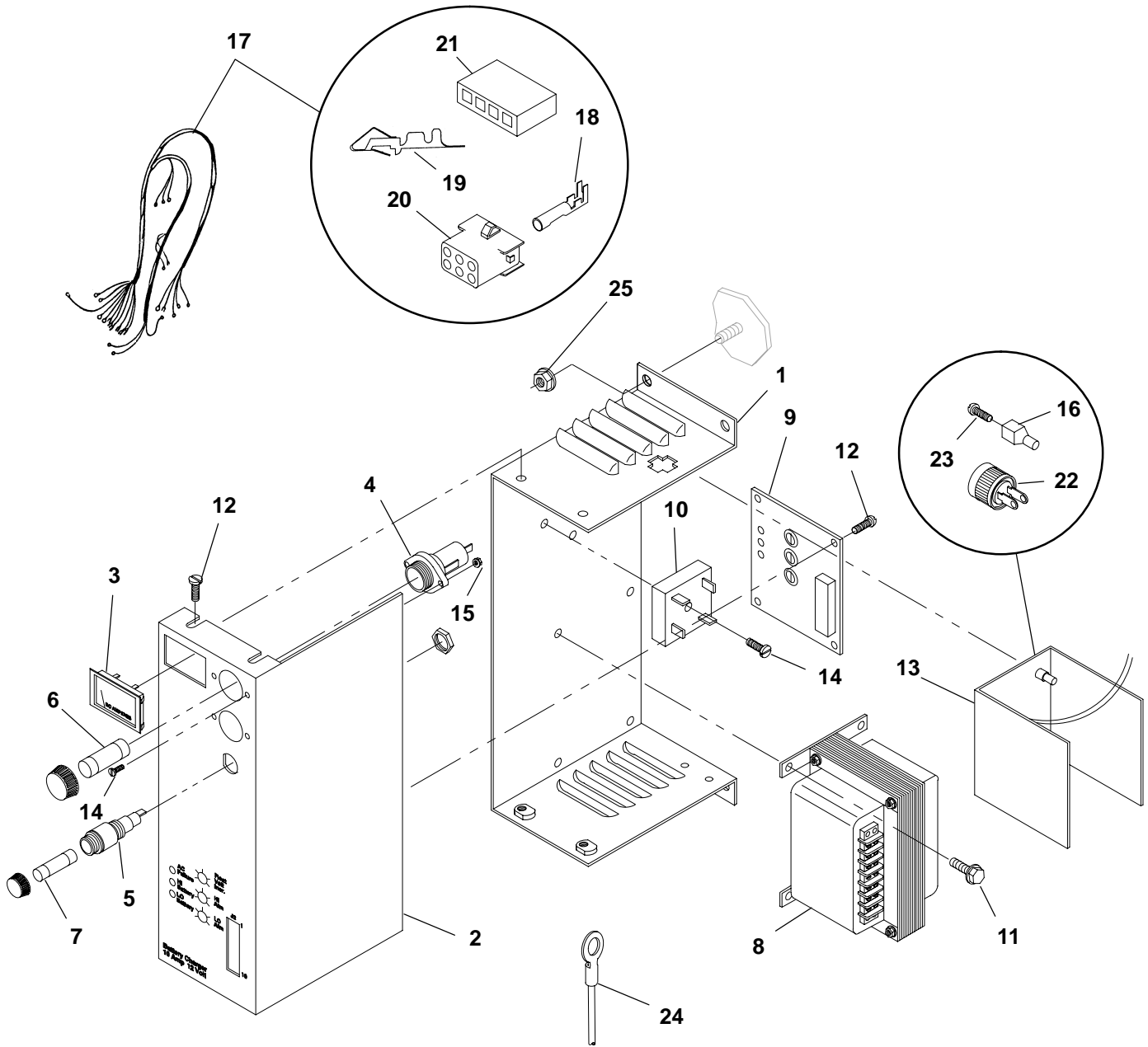
## Battery Charger 10 Amp, 12 Volt

REF NO.	PART NO.	QTY USED	PART DESCRIPTION	REF NO.	PART NO.	QTY USED	PART DESCRIPTION
1	319-0072	1	Wrapper, Charger – Battery	9	300-3160	1	PCB, Charger – Battery
2	319-0073	1	Cover, Charger – Battery	10	305-0653	1	Rectifier, Bridge
3	302-1844	1	Ammeter, DC	11	821-0040	4	Screw, Machine – Locking Head (#10-32 x 5/16)
4	321-0237	2	Holder, Fuse (AC Input)	12	815-0845	8	Screw, Pan Head – W/ET (#6-32 x 3/8)
5	321-0104	1	Holder, Fuse (DC Output)	13	305-0781	1	Rectifier Assembly – SCR (12 Volt) (Includes Parts Marked *)
6			Fuse	14	815-0539	6	Screw, Pan Head – W/ET (#8-32 x 5/8)
			<b>50 Hertz</b>	15	870-0221	5	Nut, Hex – W/ET (#8-32)
	321-0304-01	2	416/440 Volt	16	870-0263	4	*Nut, Insulated (#8)
	321-0304-02	2	380 Volt	17	338-2223	1	Harness, Battery Charger (Includes Parts Marked #)
	321-0304-03	2	240 Volt	18	323-1200	A/R	#Socket, Terminal
	321-0304-04	2	220 Volt	19	323-1302	A/R	#Pin, Terminal
			<b>60 Hertz</b>	20	323-1318	1	#Cap, 6 pin
	321-0304-01	2	480 Volt	21	323-1374-05	1	#Plug, 5 pin
	321-0304-02	2	380 Volt	22	364-0003	1	*Rectifier, Gate (SCR)
	321-0304-03	2	240 Volt	23	809-0035	4	*Screw, Sheet Metal – Round Head (#8 x 3/4)
	321-0304-04	2	208 Volt	24	226-3554-02	1	Lead (Quantity Used as Required)
	321-0304-05	2	120 Volt	25	870-0131	4	Nut, Hex – W/ET (#10-32)
	321-0303-02	2	600 Volt				
7	321-0127	1	Fuse (15 Amp)				
8			Transformer				
			<b>50 Hertz</b>				
	315-0702	1	380 Volt				
	315-0704	1	220/416/440 Volt				
	315-0712	1	240 Volt				
			<b>60 Hertz</b>				
	315-0700	1	120/208/240 Volt				
	315-0706	1	380 Volt				
	315-0708	1	480 Volt				
	315-0710	1	600 Volt				

# – Parts Included in 338-2223 Wiring Harness

\* – Parts Included in 305-0781 Rectifier Assembly

# Battery Charger 10 Amp, 24 Volt



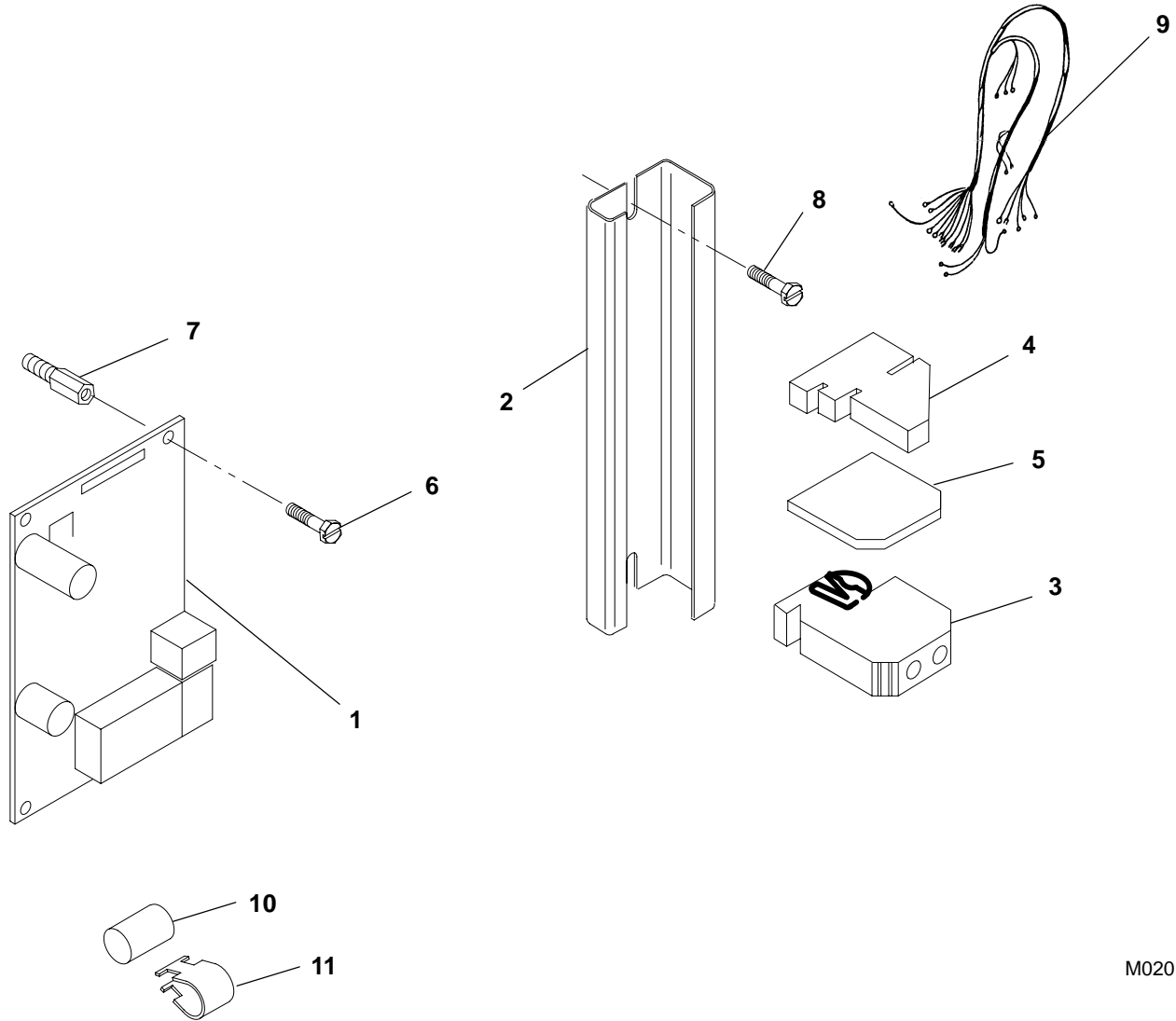
## Battery Charger 10 Amp, 24 Volt

REF NO.	PART NO.	QTY USED	PART DESCRIPTION	REF NO.	PART NO.	QTY USED	PART DESCRIPTION
1	319-0072	1	Wrapper, Charger – Battery	9	300-3244	1	PCB, Charger – Battery
2	319-0073	1	Cover, Charger – Battery (Includes Silkscreen)	10	305-0653	1	Rectifier, Bridge
3	302-1844	1	Ammeter, DC	11	821-0040	4	Screw, Machine – Locking Head (#10-32 x 5/16)
4	321-0237	2	Holder, Fuse (AC Input)	12	815-0845	8	Screw, Pan Head – W/ET (#6-32 x 3/8)
5	321-0104	1	Holder, Fuse (DC Output)	13	305-0781	1	Rectifier Assembly – SCR (12 Volt) (Includes Parts Marked *)
6			Fuse				
			<b>50 Hertz</b>				
	321-0304-04	2	380/416/440 Volt				
	321-0304-05	2	240 Volt	14	815-0539	6	Screw, Pan Head – W/ET (#8-32 x 5/8)
	321-0304-06	2	220 Volt				
			<b>60 Hertz</b>				
	321-0303-02	2	600 Volt	15	870-0221	5	Nut, Hex – W/ET (#8-32)
	321-0304-03	2	480 Volt	16	870-0263	4	*Nut, Insulated (#8)
	321-0304-04	2	380 Volt	17	338-2223	1	Harness, Battery Charger (Includes Parts Marked #)
	321-0304-05	2	240 Volt	18	323-1200	A/R	#Socket, Terminal
	321-0304-06	2	120/208 Volt	19	323-1302	A/R	#Pin, Terminal
7	321-0127	1	Fuse (15 Amp)	20	323-1318	1	#Cap, 6 pin
8			Transformer	21	323-1374-05	1	#Plug, 5 pin
			<b>50 Hertz</b>	22	364-0003	1	*Rectifier, Gate (SCR)
	315-0705	1	220/416/440 Volt	23	809-0035	4	*Screw, Sheet Metal – Round Head (#8 x 3/4)
	315-0703	1	380 Volt				
	315-0713	1	240 Volt	24	226-3554-02	1	Lead (Quantity Used as Required)
			<b>60 Hertz</b>	25	870-0131	4	Nut, Hex – W/ET (#10-32)
	315-0701	1	120/208/240 Volt				
	315-0707	1	380 Volt				
	315-0709	1	480 Volt				
	315-0711	1	600 Volt				

# – Parts Included in 338-2223 Wiring Harness

\* – Parts Included in 305-0781 Rectifier Assembly

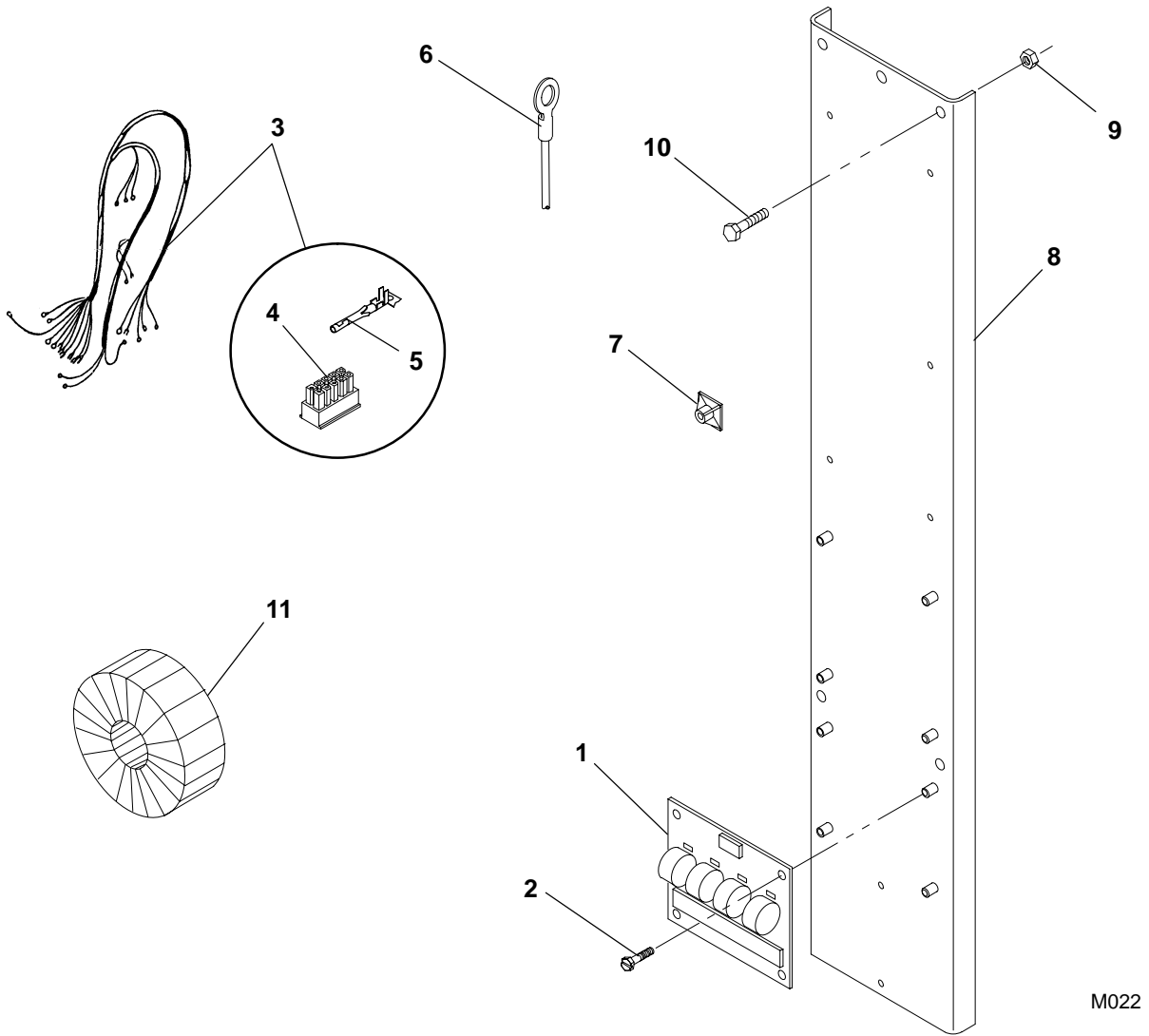
# Network Module



M020

REF NO.	PART NO.	QTY USED	PART DESCRIPTION	REF NO.	PART NO.	QTY USED	PART DESCRIPTION
1	300-5153	1	Board, Printed Circuit - Network Module	7	870-2213-02	4	Standoff, Hex Thread (M3)
2	332-2837-09	1	Rail, Terminal Block	8	815-0955-03	2	Screw, Phillips/Hex Head - GND (M4 x 10)
3	332-2836-01	2	Block, Terminal (Sectional)	9	338-3886	1	Harness, Network
4	332-2839	2	Bracket, End - Terminal	10		2	Battery - Lithium (3.0V) (Purchase Locally)
5	332-2841	1	Plate, End - Terminal	11	416-1049	2	Clip, Battery
6	815-0959-03	4	Screw, Pan Head (M3 x 0.5 x 8)				

# Current Transformer Module

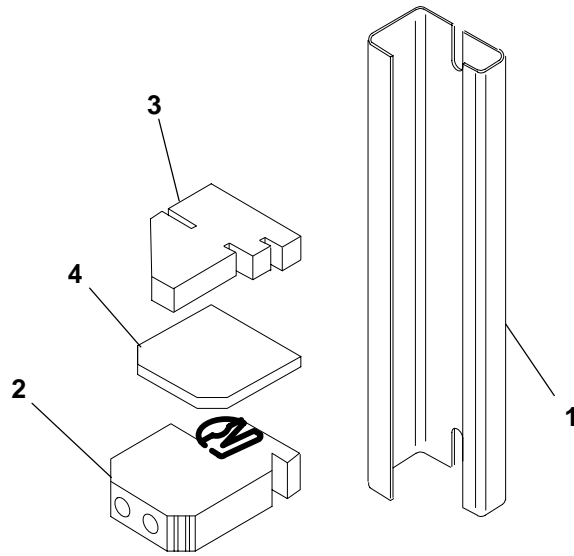


M022

REF NO.	PART NO.	QTY USED	PART DESCRIPTION	REF NO.	PART NO.	QTY USED	PART DESCRIPTION
1	300-5254	1	Board, Printed Circuit – Current Module	11			Transformer, Current <b>40 Amp</b> 120 VAC
2	815-0959-03	4	Screw, Pan Head (M3 x 8)	302-1821	2		1 Phase, 2 or 3 Wire
3	338-3884-01	1	Harness, Current Module (Includes Parts Marked *)	302-1821	3		3 Phase, 3 or 4 Wire
4	323-1806-05	2	* Connector, Receptacle (10 Pin)	302-1821	4		<b>70 Amp</b> 120 VAC
5	332-3606	20	* Socket, Contact	302-1822	2		1 Phase, 2 or 3 Wire
6			Lead	302-1822	3		3 Phase, 3 or 4 Wire
	226-4794-03	1	15" (Marked J40-14, GND)	302-1822	4		<b>125 Amp</b> 120 VAC
	226-4794-04	4	3" (No Markings)	302-1392	2		1 Phase, 2 or 3 Wire
7	332-2420	2	Mount, Cable Tie	302-1392	3		3 Phase, 3 or 4 Wire
8	319-3943	1	Plate, Mounting	302-1392	4		
9	870-0212	4	Nut, Self-Locking (1/4-20)				
10	800-0005	4	Screw, Cap – Hex Head (1/4-20 x .75)				

\* – Parts Included in 338-3884-01 Wiring Harness

## Terminal Block

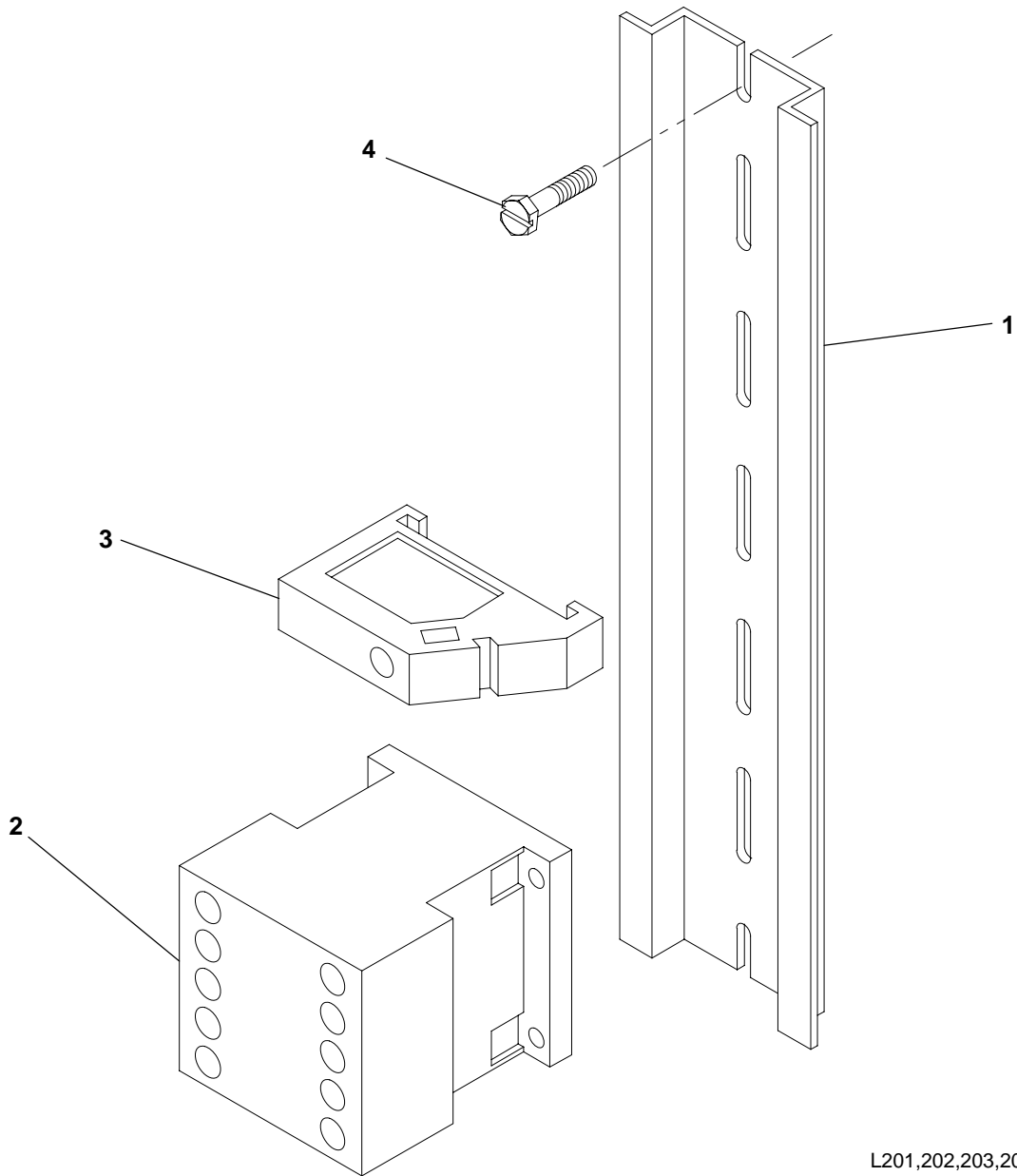


A037,K001,K002,K003

REF NO.	PART NO.	QTY USED	PART DESCRIPTION	REF NO.	PART NO.	QTY USED	PART DESCRIPTION
1	332-2837-09	1	Rail, Terminal Block	3	332-2839	2	Bracket, End – Terminal
2	332-2836-02	3	Block, Terminal (Sectional)	4	332-2841	1	Plate, End – Terminal



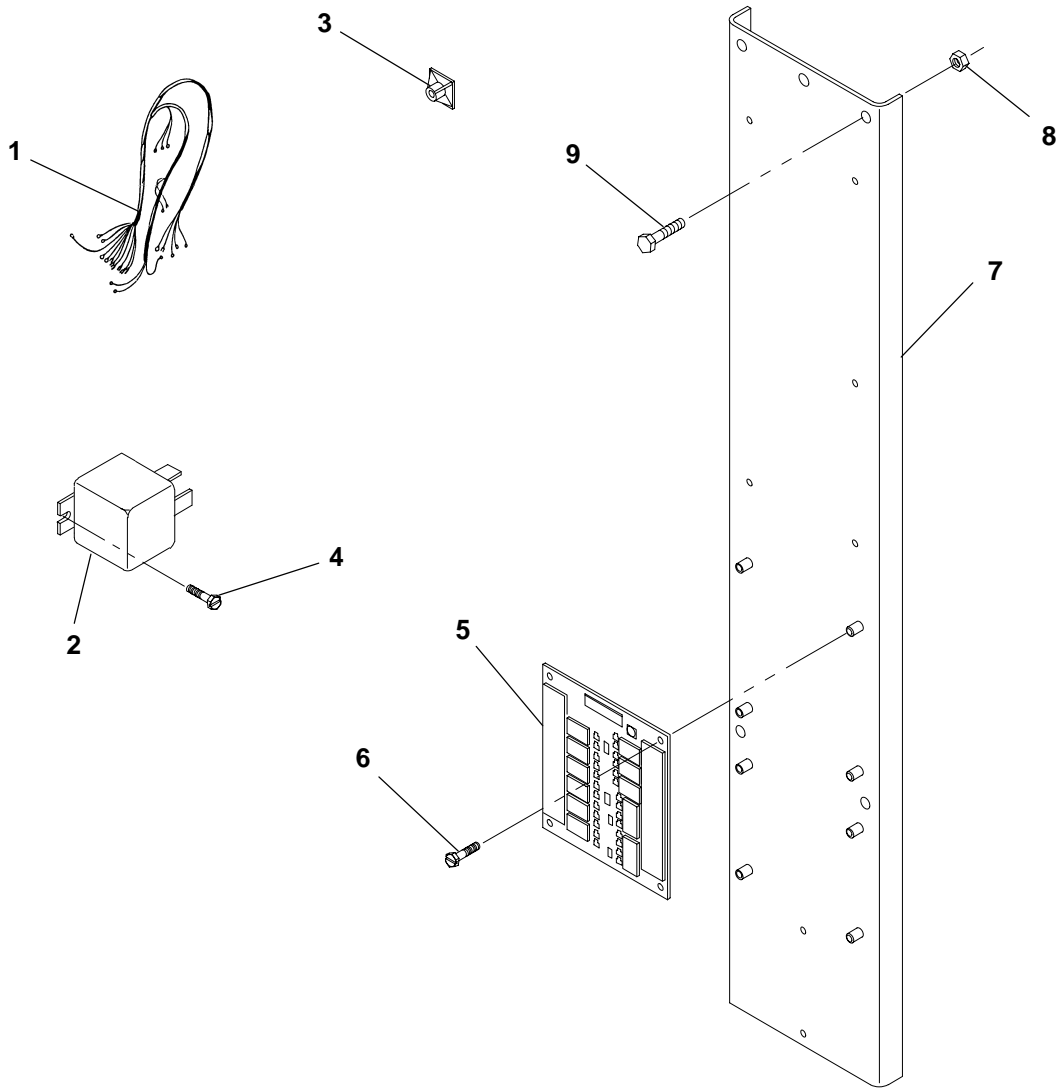
## Auxiliary Relay



L201,202,203,204,101,102,103,104

REF NO.	PART NO.	QTY USED	PART DESCRIPTION	REF NO.	PART NO.	QTY USED	PART DESCRIPTION
1	332-2879-04	1	Rail, Terminal	3	332-2878	2	Bracket, End
2	307-2873	1	Relay, Control 12 VDC	4	815-0955-03	2	Screw, Phillips/Hex Head – GND (M4 x 10)
	307-2874	1	24 VDC				

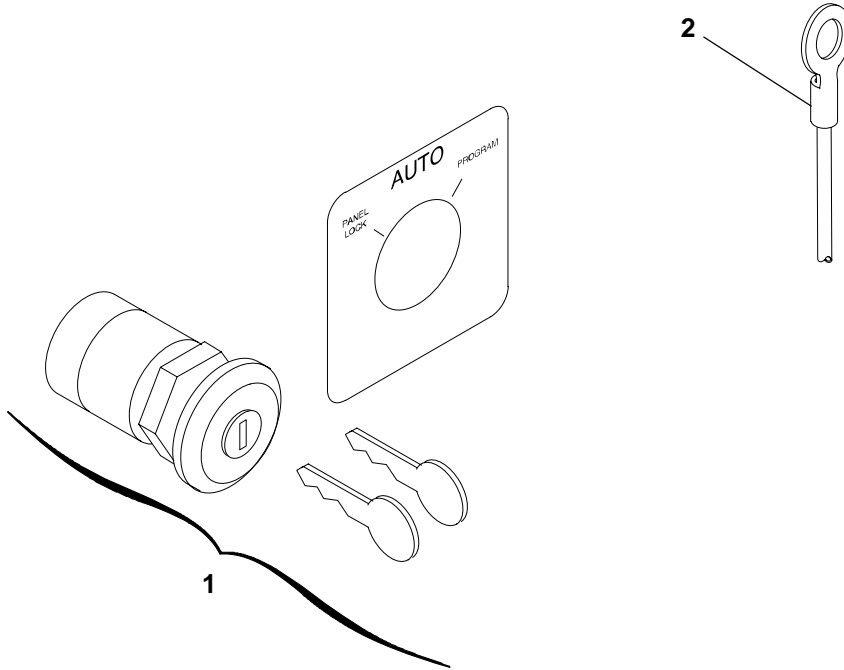
## Load Shed



M007,R027

REF NO.	PART NO.	QTY USED	PART DESCRIPTION	REF NO.	PART NO.	QTY USED	PART DESCRIPTION
1	338-3876-01	1	Harness, Load Shed	6	815-0959-03	4	Screw, Pan Head (M3 x 8)
	338-3876-02	1	All Except 600 Volt	7	319-3943	1	Plate, Mounting
2	307-2929	1	Relay - 3PDT (12 VDC)	8	870-0212	4	Nut, Self-Locking (1/4-20)
3	332-2420	2	Mount, Cable Tie	9	800-0005	4	Screw, Cap - Hex Head (1/4-20 x .75)
4	815-0792-02	1	Screw, Pan Head (M4 x 8)				
5	300-5152	1	Board, Printed Circuit - Relay Module				

## Front Panel Security



M017

REF NO.	PART NO.	QTY USED	PART DESCRIPTION	REF NO.	PART NO.	QTY USED	PART DESCRIPTION
1	308-1094	1	Switch, Selector	2	226-4794-01	1	Lead 14" (Marked S20-2 - J27-5)
					226-4794-02	1	16" (Marked S20-2 - J27-11)

# Numerical Index

<u>Part No.</u>	<u>Page</u>	<u>Part No.</u>	<u>Page</u>	<u>Part No.</u>	<u>Page</u>	<u>Part No.</u>	<u>Page</u>
226-3380,	7	306-1993,	11	307-2931,	19	320-0606,	9
226-3554-01,	13, 15, 17	306-1994,	10	308-0406,	18, 19	320-0608,	9
226-3554-02,	13, 15, 17,	306-1995,	10	308-1094,	33	320-0876,	9
	25, 27	306-1996,	10	309-0393,	11	321-0104,	25, 27
226-4794-01,	33	306-2013,	7	312-0203,	9	321-0127,	25, 27
226-4794-02,	33	306-2017,	7	312-0228,	9	321-0153,	23
226-4794-03,	29	306-3391,	11	312-0257-01,	9	321-0175,	23
226-4794-04,	29	306-3394,	7	312-0257-02,	9	321-0237,	25, 27
300-2946,	23	306-3395,	7	312-0257-03,	9	321-0303-02,	25, 27
300-3160,	25	306-3396,	7	315-0621-01,	23	321-0304-01,	25
300-3244,	27	306-3397,	7	315-0621-02,	23	321-0304-02,	25
300-5146,	13, 15, 17	306-3399,	7	315-0621-03,	23	321-0304-03,	25, 27
300-5147-01,	13, 15, 17	306-3400-01,	7	315-0621-04,	23	321-0304-04,	25, 27
300-5148-01,	13, 15, 17	306-3401-01,	9	315-0662,	13, 15, 17	321-0304-05,	25, 27
300-5148-02,	13, 15, 17	306-3401-02,	9	315-0700,	25	321-0304-06,	27
300-5148-03,	13, 15, 17	306-3401-03,	9	315-0701,	27	323-1199,	20, 21, 23
300-5148-04,	13, 15, 17	306-3401-05,	9	315-0702,	25	323-1200,	20, 21, 23, 25, 27
300-5149-01,	13, 15, 17	306-3401-06,	9	315-0703,	27	323-1252,	20
300-5149-02,	13, 15, 17	306-3403,	7	315-0704,	25	323-1253,	20
300-5149-03,	13, 15, 17	306-3525,	15	315-0705,	27	323-1291,	23
300-5149-04,	13, 15, 17	306-4163,	11	315-0706,	25	323-1302,	22, 25, 27
300-5151,	13, 15, 17	306-4173,	7, 11	315-0707,	27	323-1314,	20
300-5152,	32	306-4174,	7, 11	315-0708,	25	323-1315,	20
300-5153,	28	306-4403-01,	7	315-0709,	27	323-1318,	23, 25, 27
300-5180,	13, 15, 17	306-4403-02,	7	315-0710,	25	323-1374-05,	25, 27
300-5185,	13, 15, 17	306-4403-03,	7	315-0711,	27	323-1374-10,	22
300-5186,	13, 15, 17	306-4403-04,	7	315-0712,	25	323-1703,	21
300-5254,	29	306-4403-05,	7	315-0713,	27	323-1806-05,	29
300-5271,	13, 15, 17	306-4403-06,	7	319-0072,	25, 27	332-2366,	7
301-6727,	17	306-4403-07,	7	319-0073,	25, 27	332-2370,	7
301-9990,	23	306-4403-08,	7	319-3852-03,	15	332-2420,	21, 22, 29, 32
301-9991,	23	306-4403-09,	7	319-3852-04,	15	332-2542,	7
302-0807,	23	306-4403-10,	7	319-3853-02,	17	332-2605,	7
302-1392,	29	306-4403-11,	7	319-3855-02,	15	332-2832,	7
302-1821,	29	306-4403-12,	7	319-3856-02,	13	332-2836-01,	28
302-1822,	29	306-4403-13,	7	319-3858-02,	13	332-2836-02,	22, 30
302-1844,	25, 27	306-4403-14,	7	319-3859-02,	17	332-2837-09,	22, 28, 30
304-0015,	23	306-4403-15,	7	319-3940-02,	18, 19	332-2839,	22, 28, 30
304-0037,	23	306-4523,	13, 15, 17	319-3941-02,	18, 19	332-2841,	22, 28, 30
304-0139,	23	307-2873,	21, 31	319-3942-02,	18, 19	332-2878,	21, 31
305-0653,	25, 27	307-2874,	31	319-3943,	21, 22, 29, 32	332-2879-04,	21, 31
305-0781,	25, 27	307-2929,	18, 19, 32	319-4011-02,	20	332-2903,	7
306-1989,	7						

# Numerical Index

<u>Part No.</u>	<u>Page</u>	<u>Part No.</u>	<u>Page</u>	<u>Part No.</u>	<u>Page</u>	<u>Part No.</u>	<u>Page</u>
332-3084,	7	338-3876-02,	32	800-0005,	7, 21, 22, 29, 32	815-0958-04,	19
332-3606,	21, 29	338-3884-01,	29	800-0008,	7	815-0959-03,	13, 15, 17, 28, 29, 32
332-3647,	13, 15, 17	338-3886,	28	800-2000,	13	815-0960-04,	18, 19
337-2313,	7	364-0003,	25, 27	809-0035,	25, 27	821-0005,	7
337-2314,	7	406-0519,	17	812-0066,	10	821-0040,	23, 25, 27
337-2315,	7	406-0613,	15	812-0068,	10	850-0040,	7
337-2316,	7	406-0649,	15	812-0177,	17	851-0027,	7
337-2317,	7	406-0809,	13	813-0112,	23	851-0031,	7
338-2149,	23	406-0810,	13	813-0116,	23	853-2005,	13
338-2219,	20	406-0933,	13	815-0029,	7	862-0001,	7
338-2220,	20	416-1049,	28	815-0180,	7	870-0053,	7
338-2223,	25, 27	508-0233,	15, 17	815-0261,	13	870-0131,	7, 15, 17, 23, 25, 27
338-2349,	22	508-1045,	13	815-0538,	7	870-0201,	10, 11
338-3791,	7	508-1114,	13	815-0539,	25, 27	870-0212,	7, 13, 15, 17, 21, 22, 29, 32
338-3836,	21	517-0135,	13	815-0651,	7	870-0221,	25, 27
338-3838-01,	13, 15, 17	517-0137,	13	815-0652,	7	870-0263,	25, 27
338-3851-01,	13, 15, 17	517-0266,	15, 17, 20	815-0653,	7	870-2213-02,	28
338-3852-01,	13, 15, 17	526-0008,	7	815-0686,	11	870-2216,	13, 15, 17
338-3852-03,	13, 15, 17	526-0018,	7	815-0792-02,	18, 19, 32	895-0293-01,	15, 17
338-3853-01,	13, 15, 17	526-0022,	17	815-0845,	23, 25, 27	895-0293-02,	15, 17
338-3853-03,	13, 15, 17	800-0003,	7, 13	815-0955-03,	18, 19, 21, 22, 28, 31		
338-3876-01,	32	800-0004,	7				



**Onan**

Onan Corporation  
1400 73rd Avenue N.E.  
Minneapolis, MN 55432  
612-574-5000  
Telex: 275477  
Fax: 612-574-8087

Onan is a registered trademark of Onan Corporation  
Cummins is a registered trademark of Cummins Engine Company