



Parts Manual

Transfer Switch

150/225/260 Amps

OTPCB (Spec A)

MODEL IDENTIFICATION

This catalog covers models produced under the Cummins®/Onan® and Cummins Power Generation brand names.

To avoid errors or delay in filling your parts order, always give the MODEL, SPEC NO. and SERIAL NO. from the Cummins Power Generation nameplate.

For handy reference, insert your nameplate information in the spaces below.

MODEL AND SPEC NO.

SERIAL NO.

DIGITAL CONTROL SOFTWARE VERSION AND DATE (IF APPLICABLE)

SAFETY PRECAUTIONS

The following symbols are used in Cummins Power Generation manuals to alert users to the potentially dangerous conditions relating to maintenance of equipment and replacement of parts. Please read and observe.



This symbol warns of immediate hazards which will result in severe personal injury or death.



This symbol refers to a hazard or unsafe practice which can result in severe personal injury or death.



This symbol refers to a hazard or unsafe practice which can result in severe personal injury or product or property damage.

PRODUCT SAFETY PRECAUTIONS



Service and repair of Cummins Power Generation equipment must be performed by trained, experienced personnel only. Improper service or repair may result in property damage, severe personal injury or death. Do not use this catalog as a guide to servicing your equipment. Read and follow the IMPORTANT SAFETY INSTRUCTIONS in the Service Manual appropriate for the equipment you are working on.



Contact with USED ENGINE OILS has been identified by a United States federal agency and some USA state agencies as causing CANCER or REPRODUCTIVE TOXICITY. When checking or changing engine oils take all necessary precautions not to ingest, breathe the fumes or contact the used oil.



Contact with ASBESTOS has been identified by a United States federal agency and some USA state agencies as causing CANCER or REPRODUCTIVE TOXICITY. When handling engine gaskets take all necessary precautions not to ingest, breathe or contact the dust from the gaskets! Use adequate ventilation and wear protective gloves, masks and clothing!



Contact with BENZINE and LEAD, found in gasoline, fuel additives and solvents has been identified by a United States federal agency and some USA state agencies as causing CANCER or REPRODUCTIVE TOXICITY. When checking, draining or adding gasoline and fuel additives or using solvents take all necessary precautions not to ingest, breathe the fumes or contact the liquids. Use adequate ventilation and wear protective gloves, masks and protective clothing!

Introduction

This catalog applies to the Cummins Power Generation OTPC 150/225/260 Amp Transfer Switch. Each illustrated part is identified by a reference number corresponding to the same reference number in the parts list for that group. Parts illustrations are typical. Using the model and spec number from the switch box nameplate, select the parts that apply to your Transfer Switch. Unless otherwise noted in the parts description, parts are interchangeable between models.

Feature Options

Code	Description	Code	Description
A028	3-Pole Switch	L202	Auxiliary Relay – Emergency Position – 12 VDC
A029	4-Pole Switch	L203	Auxiliary Relay – Normal Position – 12 VDC
A035	Utility to Generator Set Applications	L204	Auxiliary Relay – Generator Start – 12 VDC
A036	Utility to Utility Applications	M003	Terminal Block – 30 Points
A037	Generator Set to Generator Set Applications	M007	Load Shed – From Emergency
A041	One Phase – 2 or 3 wire	M017	Security – Front Panel
A042	Three Phase – 3 or 4 wire	M018	Display – Digital
A044	Frequency – 60 Hz	M020	Communications – Lonworks
A045	Frequency – 50 Hz	M022	Monitoring – Load
A046	Listing – UL	M023	Module – Relay Signal
A064	Listing – UL/NFPA-20	N009	Bus Stubs Connection
B001	Cabinet – Type 1	N013	Harness – Extension
B002	Cabinet – Type 3R	R020	Voltage – 120
B003	Cabinet – Type 4	R021	Voltage – 208
B004	Construction – Open	R022	Voltage – 220
B010	Cabinet – Type 12	R023	Voltage – 240
C023	Control – Level 1	R024	Voltage – 380
C024	Control – Level 2	R025	Voltage – 416
D009	Meters – Bar Graph Display	R026	Voltage – 480
K001	Battery Charger – 2 Amp, 12/24V	R027	Voltage – 600
K002	Battery Charger – 10 Amp, 12V	R035	Voltage – 440
K003	Battery Charger – 10 Amp, 24V	R038	Voltage – 190
L101	Auxiliary Relay – 24 VDC Coil	S049	Current Rating – 150 Amps
L102	Auxiliary Relay – Emergency Position – 24 VDC	S050	Current Rating – 225 Amps
L103	Auxiliary Relay – Normal Position – 24 VDC	S051	Current Rating – 260 Amps
L104	Auxiliary Relay – Generator Start – 24 VDC		
L201	Auxiliary Relay – 12 VDC Coil		

Abbreviations

Some of the following abbreviations may be used throughout this Parts Catalog:

AC	Alternating Current	MCM	Metric Circular Mills
Amp	Ampere	mm	Millimeter
A/R	As Required	MOH	Mobile Off Highway
AVR	Automatic Voltage Regulator	NFS	Not For Sale
AWG	American Wire Gauge	NPT	National Pipe Thread
CSA	Canadian Standard Association	OD	Outside Diameter
DC	Direct Current	oz.	Ounce
Deg.	Degree	PCB	Printed Circuit Board
EFC	Electronic Fuel Control	Ph	Phase
EIT	External/Internal Tooth	PMG	Permanent Magnet Generator
EPROM	Erasable Programmable Read Only Memory	PT/CT	Potential Transformer/ Current Transformer
ET	External Tooth	RFI	Radio Frequency Interference
GFI	Ground Fault Interrupter	RT	Right
ID	Inside Diameter	Spec	Specification
IEC	International Electrotechnical Commission	Thk	Thick
IT	Internal Tooth	UL	Underwriters Laboratories Inc.
kW	Kilowatt	UNC	Union National Coarse
LPG	Liquid Petroleum Gas	UNF	Union National Fine
LT	Left	VAC	Volts Alternating Current
M(meter number)	Meter	VDC	Volts Direct Current
		W/(ET, IT, EIT)	With

Index

A

- Actuator, Linear – Transfer Switch, **11**
- Alarm, Battery Charger, **24**
- Ammeter – DC – 10 Amp, 12 Volt Battery Charger, **27**
- Ammeter – DC – 10 Amp, 24 Volt Battery Charger, **29**
- Ammeter – DC – 2 Amp, 12/24 Volt Battery Charger, **25**
- Arm, Interlock – Transfer Switch, **11**

B

- Bar, Interlock – Transfer Switch, **11**
- Bar, Neutral – Transfer Switch, **11**
- Barrier – Transfer Switch, **9**
- Barrier, Base – Transfer Switch, **11**
- Base, Mounting – Transfer Switch, **9**
- Block and Contact Assembly – Transfer Switch, **11**
- Block and Cross Bar Assembly – Transfer Switch, **11**
- Block, Hinge – Type 1 Cabinet, **15**
- Block, Lug Mounting – Transfer Switch, **11**
- Block, Terminal, **32**
- Block, Terminal – Battery Charger Alarm, **24**
- Block, Terminal – Network Module, **30**
- Block, Terminal – Transfer Switch, **9**
- Board, Printed Circuit – 10 Amp, 12 Volt Battery Charger, **27**
- Board, Printed Circuit – 10 Amp, 24 Volt Battery Charger, **29**
- Board, Printed Circuit – 2 Amp, 12/24 Volt Battery Charger, **25**
- Board, Printed Circuit – Bar Graph – Type 1 Cabinet, **15**
- Board, Printed Circuit – Bar Graph – Type 3R and 12 Cabinet, **17**
- Board, Printed Circuit – Bar Graph – Type 4 Cabinet, **19**

- Board, Printed Circuit – Current Transformer Module, **31**
- Board, Printed Circuit – Digital – Type 1 Cabinet, **15**
- Board, Printed Circuit – Digital – Type 3R and 12 Cabinet, **17**
- Board, Printed Circuit – Digital – Type 4 Cabinet, **19**
- Board, Printed Circuit – Network Module, **30**
- Board, Printed Circuit – Power Module – Type 1 Cabinet, **15**
- Board, Printed Circuit – Power Module – Type 3R and 12 Cabinet, **17**
- Board, Printed Circuit – Power Module – Type 4 Cabinet, **19**
- Board, Printed Circuit – Relay Module, **34**
- Bracket, Connector – Accessory Control Plate (600 Volt), **21**
- Bracket, Connector – Accessory Control Plate (Less than 600 Volt), **20**
- Bracket, Door – Type 4 Cabinet, **19**
- Bracket, End – Auxiliary Relay, **33**
- Bracket, End – Terminal – Battery Charger Alarm, **24**
- Bracket, End – Terminal – Network Module, **30**
- Bracket, Terminal – Transfer Switch, **9**
- Breaker, Circuit – Transfer Switch, **11**
- Bus, Emergency – Transfer Switch, **11**
- Bus, Load – Transfer Switch, **11**
- Bus, Normal – Transfer Switch, **11**

C

- Cabinet – Type 1, **15**
- Cabinet – Type 12, **17**
- Cabinet – Type 3R, **17**
- Cabinet – Type 4, **19**
- Capacitor – Transfer Switch, **11**
- Charger, Battery – 10 Amp, 12 Volt, **27**
- Charger, Battery – 10 Amp, 24 Volt, **29**

Index

Charger, Battery – 2 Amp, 12/24 Volt, **25**

Chute, Arc – Transfer Switch, **11**

Cover, Arc Chute – Transfer Switch, **11**

Cover, Charger – 10 Amp, 12 Volt Battery Charger, **27**

Cover, Charger – 10 Amp, 24 Volt Battery Charger, **29**

Cover, Charger – 2 Amp, 12/24 Volt Battery Charger, **25**

Cover, Labeled – Transfer Switch, **9**

Cover, Printed Circuit Board – Type 1 Cabinet, **15**

Cover, Printed Circuit Board – Type 3R and 12 Cabinet, **17**

Cover, Printed Circuit Board – Type 4 Cabinet, **19**

Cover, Relay Plate – Accessory Control Plate (600 Volt), **21**

Cover, Relay Plate – Accessory Control Plate (Less than 600 Volt), **20**

D

Door, Cabinet – Type 1, **15**

Door, Cabinet – Type 3R and 12 Cabinet, **17**

Door, Cabinet – Type 4 Cabinet, **19**

F

Fuse – 10 Amp, 12 Volt Battery Charger, **27**

Fuse – 10 Amp, 24 Volt Battery Charger, **29**

Fuse – 2 Amp, 12/24 Volt Battery Charger, **25**

G

Gasket, Door – Type 3R and 12 Cabinet, **17**

Gasket, Door – Type 4 Cabinet, **19**

H

Handle Assembly, Actuator, **12**

Handle, Door – Type 3R and 12 Cabinet, **17**

Handle, Locking – Type 1 Cabinet, **15**

Harness, Wiring – 10 Amp, 12 Volt Battery Charger, **27**

Harness, Wiring – 10 Amp, 24 Volt Battery Charger, **29**

Harness, Wiring – 2 Amp, 12/24 Volt Battery Charger, **25**

Harness, Wiring – Battery Charger, **23**

Harness, Wiring – Battery Charger Alarm, **24**

Harness, Wiring – Control – Open Construction, **22**

Harness, Wiring – Current Transformer Module, **31**

Harness, Wiring – Load Shed, **34**

Harness, Wiring – Main – Type 1 Cabinet, **15**

Harness, Wiring – Main – Type 3R and 12 Cabinet, **17**

Harness, Wiring – Main – Type 4 Cabinet, **19**

Harness, Wiring – Network Module, **30**

Holder, Fuse – 10 Amp, 12 Volt Battery Charger, **27**

Holder, Fuse – 10 Amp, 24 Volt Battery Charger, **29**

Holder, Fuse – 2 Amp, 12/24 Volt Battery Charger, **25**

I

Insulator, Arc Chute – Transfer Switch, **11**

L

Latch, Cam – Type 1 Cabinet, **15**

Latch, Cam – Type 3R and 12 Cabinet, **17**

Lead – Type 1 Cabinet, **15**

Lead – Type 3R and 12 Cabinet, **17**

Lead – Type 4 Cabinet, **19**

Load Shed, **34**

Lug, Solderless – Transfer Switch, **11**

Index

Lug, Solderless – Type 1 Cabinet, **15**
Lug, Solderless – Type 3R and 12 Cabinet, **17**
Lug, Solderless – Type 4 Cabinet, **19**

M

Membrane, Panel – Type 1 Cabinet, **15**
Membrane, Panel – Type 3R and 12 Cabinet, **17**
Membrane, Panel – Type 4 Cabinet, **19**
Module, Current Transformer, **31**
Module, Digital Display – Type 1 Cabinet, **15**
Module, Digital Display – Type 3R and 12 Cabinet, **17**
Module, Digital Display – Type 4 Cabinet, **19**
Module, Network, **30**

P

Plate, Accessory Control (600 Volt), **21**
Plate, Accessory Control (Less than 600 Volt), **20**
Plate, End – Terminal – Battery Charger Alarm, **24**
Plate, End – Terminal – Network Module, **30**
Plate, Handle Mounting – Transfer Switch, **11**
Plate, Mounting – Battery Charger Alarm, **24**
Plate, Mounting – Current Transformer Module, **31**
Plate, Mounting – Load Shed, **34**
Plate, Open Construction, **22**
Plate, Relay – Accessory Control Plate (600 Volt), **21**
Plate, Relay – Accessory Control Plate (Less than 600 Volt), **20**

R

Rail, Terminal – Auxiliary Relay, **33**
Rail, Terminal Block – Battery Charger Alarm, **24**

Rail, Terminal Block – Network Module, **30**
Rectifier, Bridge – 10 Amp, 12 Volt Battery Charger, **27**
Rectifier, Bridge – 10 Amp, 24 Volt Battery Charger, **29**
Rectifier, Gate – 10 Amp, 12 Volt Battery Charger, **27**
Rectifier, Gate – 10 Amp, 24 Volt Battery Charger, **29**
Relay – Accessory Control Plate (600 Volt), **21**
Relay – Accessory Control Plate (Less than 600 Volt), **20**
Relay – Load Shed, **34**
Relay, Auxiliary, **33**
Relay, Control – Accessory Control Plate (600 Volt), **21**
Relay, Control – Auxiliary Relay, **33**
Resistor, Fixed – 2 Amp, 12/24 Volt Battery Charger, **25**
Rod, Actuator – Transfer Switch, **9**
Rod, Roller – Type 1 Cabinet, **15**
Rod, Roller – Type 3R and 12 Cabinet, **17**
Rod–End, Actuator – Transfer Switch, **9**

S

Spacer, Actuator – Transfer Switch, **9**
Spacer, Mounting Block – Transfer Switch, **11**
Spring, Conical – Type 4 Cabinet, **19**
Standoff, Insulator – Transfer Switch, **11**
Strap, Jumper – Transfer Switch, **11**
Strap, Load – Transfer Switch, **11**
Strip, Marker – Transfer Switch, **11**
Support, Channel – Transfer Switch, **11**
Switch Assembly, Auxiliary, **13**
Switch, Selector – Security, **35**
Switch, Toggle – Accessory Control Plate (600 Volt), **21**
Switch, Toggle – Accessory Control Plate (Less than 600 Volt), **20**

T

Transfer Switch Assembly, **9**

Index

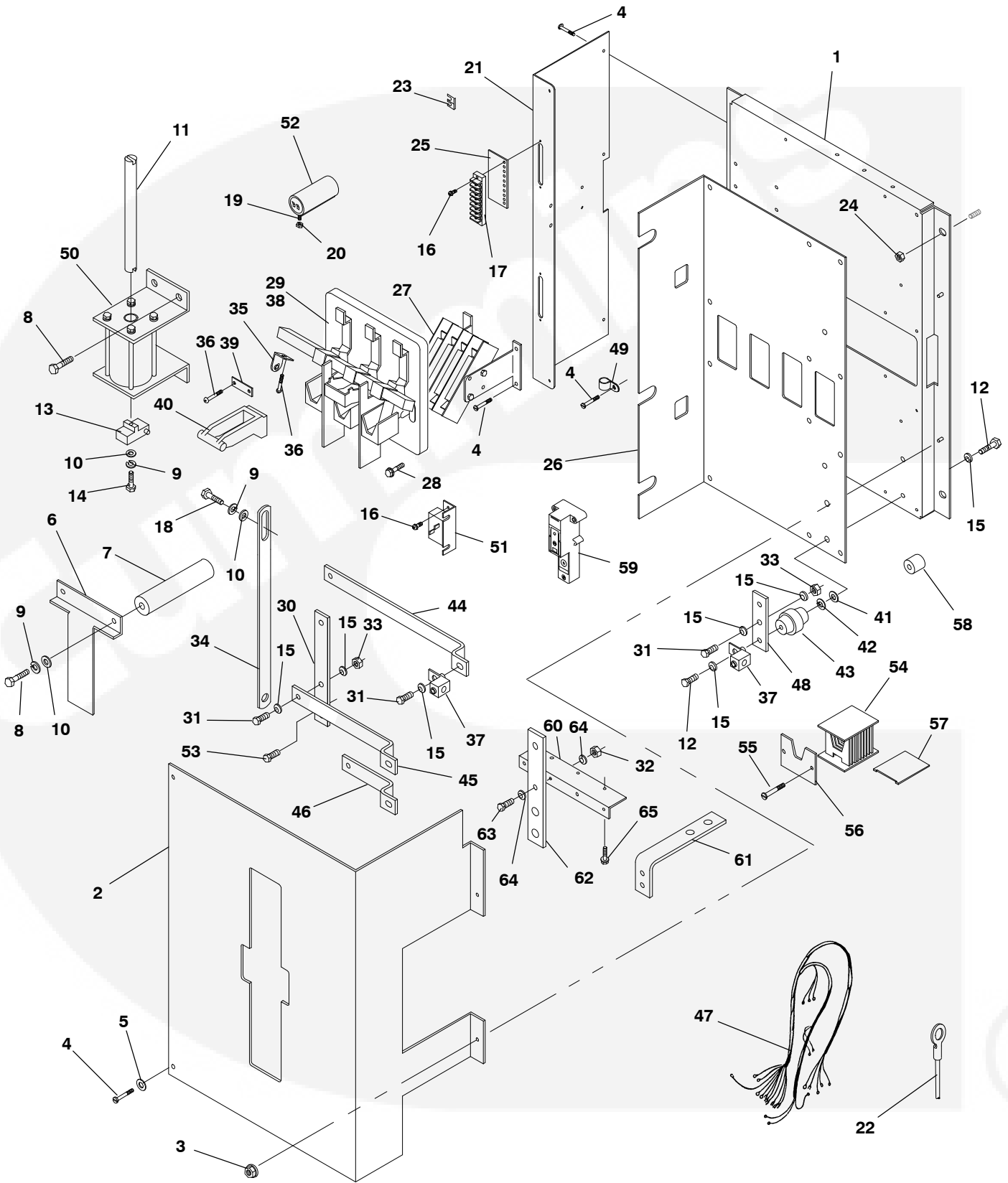
Transformer – 10 Amp, 12 Volt Battery Charger, **27**
Transformer – 10 Amp, 24 Volt Battery Charger, **29**
Transformer – 2 Amp, 12/24 Volt Battery Charger, **25**
Transformer, Current, **31**
Transformer, Power – Type 1 Cabinet, **15**
Transformer, Power – Type 3R and 12 Cabinet, **17**
Transformer, Power – Type 4 Cabinet, **19**

W

Wrapper, Charger – 2 Amp, 12/24 Volt Battery Charger, **25**
Wrapper, Charger – 10 Amp, 12 Volt Battery Charger, **27**
Wrapper, Charger – 10 Amp, 24 Volt Battery Charger, **29**



Transfer Switch



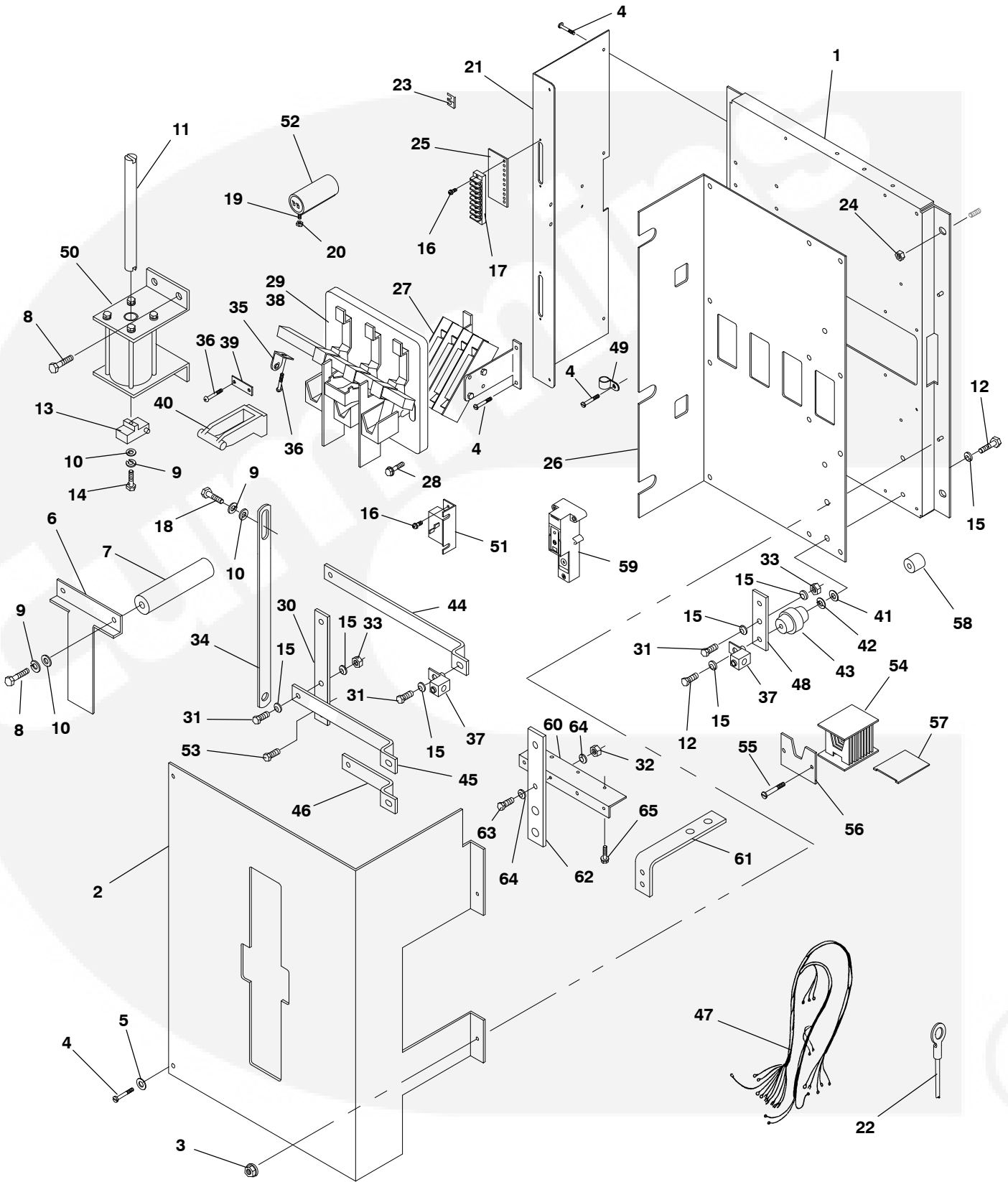
Transfer Switch

REF NO.	PART NO.	QTY USED	PART DESCRIPTION	REF NO.	PART NO.	QTY USED	PART DESCRIPTION
			Transfer Switch Assembly				4-Pole, Rear Connect with Bus Stubs
			3-Pole, Front Connect with Mechanical Lugs				150 Amp
			150 Amp		306-4407-02	1	190 VAC
			120 VAC		306-4407-03	1	208/220/240/600* VAC
			190 VAC		306-4407-04	1	380/416 VAC
			208/220/240/600* VAC		306-4407-05	1	440/480 VAC
			380/416 VAC				225 Amp
			440/480 VAC		306-4407-07	1	190 VAC
			225 Amp		306-4407-08	1	208/220/240/600* VAC
			120 VAC		306-4407-09	1	380/416 VAC
			190 VAC		306-4407-10	1	440/480 VAC
			208/220/240/600* VAC				260 Amp
			380/416 VAC		306-4407-12	1	190 VAC
			440/480 VAC		306-4407-13	1	208/220/240/600* VAC
			260 Amp		306-4407-14	1	380/416 VAC
			120 VAC		306-4407-15	1	440/480 VAC
			190 VAC	1	306-3574	1	Base, Mounting
			208/220/240/600* VAC	2	306-4269	1	Cover, Labeled
			380/416 VAC	3	870-0320	2	Nut, Self-Locking (#10-32)
			440/480 VAC	4	815-0652	14	Screw, Hex Head - Slotted - W/IT (#10-32 x .50)
			4-Pole, Front Connect with Mechanical Lugs	5	526-0008	2	Washer, Flat (#10)
			150 Amp	6	306-2340	2	Barrier
			190 VAC	7	306-3483	4	Spacer, Actuator
			208/220/240/600* VAC	8	800-0021	4	Screw, Cap - Hex Head (1/4-20 x 4.50)
			380/416 VAC	9	850-0040	8	Washer, Lock (1/4)
			440/480 VAC	10	526-0018	8	Washer, Flat (1/4)
			225 Amp	11	306-3473	1	Rod, Actuator
			190 VAC	12			Screw, Cap - Hex Head (5/16-18 x .88)
			208/220/240/600* VAC		800-0027	18	3-Pole, Front Connect
			380/416 VAC		800-0027	16	4-Pole, Front Connect
			440/480 VAC		800-0027	12	3-Pole, Rear Connect
			260 Amp		800-0027	14	4-Pole, Rear Connect
			190 VAC		306-3400-02	2	Rod-End, Actuator
			208/220/240/600* VAC	13	800-0008	2	Screw, Cap - Hex Head (1/4-20 x 1.25)
			380/416 VAC	14			Washer, Spring - Conical (5/16)
			440/480 VAC	15	851-0028	24	3-Pole, Front Connect
			3-Pole, Rear Connect with Bus Stubs		851-0028	22	4-Pole, Front Connect
			150 Amp		851-0028	12	3-Pole, Rear Connect
			120 VAC		851-0028	16	4-Pole, Rear Connect
			190 VAC	16	815-0651	6	Screw, Round Head - Cross Recessed (#6-32 x .75)
			208/220/240/600* VAC	17	332-2832	2	Block, Terminal
			380/416 VAC	18	800-0003	2	Screw, Hex Head (1/4-20 x .50)
			440/480 VAC	19	815-0029	4	Screw, Flat Head - Cross Recessed (#10-32 x .50)
			225 Amp	20	870-0131	4	Nut, Hex - W/ET (#10-32)
			120 VAC	21	306-3418	1	Bracket, Terminal
			190 VAC	22	226-3380	1	Lead (380/416/440/480 VAC)
			208/220/240/600* VAC	23	332-2605	1	Jumper, Terminal
			380/416 VAC	24	870-0281	4	Nut, Lock (3/8-16)
			440/480 VAC				

* Switch is actually 208 volts - A large transformer in the system reduces the 600 volt system voltage down to 208 volts.

Continued...

Transfer Switch

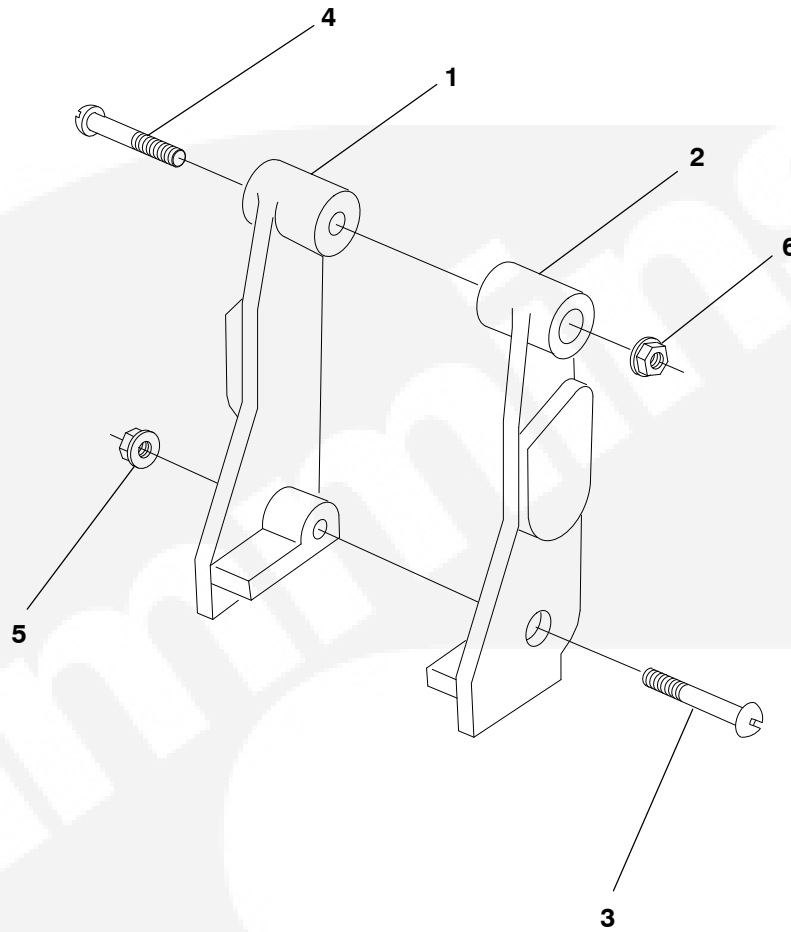


Transfer Switch

REF NO.	PART NO.	QTY USED	PART DESCRIPTION	REF NO.	PART NO.	QTY USED	PART DESCRIPTION
Continued...				50			Actuator, Linear
					306-3471-01	1	120 VAC
25	332-2903	2	Strip, Marker		306-3471-02	1	190 VAC
26	306-3575	1	Barrier, Base		306-3471-03	1	208/220/240/600* VAC
27	306-3417	2	Switch Assembly, Auxiliary (See Separate Page For Components)		306-3471-05	1	380/416 VAC
					306-3471-06	1	440/480 VAC
28			Screw, Self-Locking – Hex Head – Thread Forming – W/IT (1/4–20 x 1.25)	51			Breaker, Circuit
					320-0609	1	120 VAC
					320-0608	1	190/208/220/240/600* VAC
					320-0606	1	380/416/440/480 VAC
	815-0667	6	3-Pole, Front Connect	52			Capacitor
	815-0667	1	4-Pole, Front Connect		312-0209	1	120 VAC
	815-0667	8	3-Pole, Rear Connect		312-0204	1	190/208/220/240/600* VAC
	815-0667	6	4-Pole, Rear Connect		312-0203	2	380/416/440/480 VAC
29			Block and Cross Bar Assembly – Emergency	53			Screw, Cap – Hex Head (5/16–18 x 1.00)
	306-4079-02	1	3-Pole		800-0028	1	4-Pole, Front Connect
	306-4080-02	1	4-Pole		800-0028	2	4-Pole, Rear Connect
30			Strap, Jumper	54	306-0268	2	Chute, Arc – 4-Pole
	337-2365	3	3-Pole, Front Connect	55	815-0527	4	Screw, Pan Head – Thread Cutting (#10–32 x .50) – 4-Pole
	337-2365	4	4-Pole, Front Connect				
	337-2414	3	3 and 4-Pole, Rear Connect				
31			Screw, Cap – Hex Head (5/16 x 1.25)	56	306-3576	2	Cover, Arc Chute – 4-Pole
	800-0030	4	3-Pole, Front Connect	57	306-2352	2	Insulator, Arc Chute – 4-Pole
	800-0030	3	4-Pole, Front Connect	58	306-3627	2	Spacer, Mounting Block – 4-Pole
32			Nut, Hex (1/4–20)	59	306-3578	2	Block and Contact Assembly – 4-Pole
	862-0001	12	3-Pole, Rear Connect				
	862-0001	16	4-Pole, Rear Connect	60	306-3601	2	Support, Channel – Rear Connect
33			Nut, Hex (5/16–18)	61			Bus, Load
	862-0015	3	3-Pole, Front Connect		337-2403	3	3-Pole, Rear Connect
	862-0015	2	4-Pole, Front Connect		337-2403	4	4-Pole, Rear Connect
34	306-3482	1	Bar, Interlock				Bus, Normal and Emergency
35	306-0508	2	Arm, Interlock	62			3-Pole, Rear Connect
36	815-0446	8	Screw, Cross-Recessed – Round Head – W/IT (#8–32 x .50)		337-2404	6	4-Pole, Rear Connect
				63			Screw, Cap – Hex Head (1/4–20 x 1.00)
37			Lug, Solderless		800-0007	12	3-Pole, Rear Connect
	332-3038	12	150/225 Amp – Front Connect		800-0007	16	4-Pole, Rear Connect
	332-3039	12	260 Amp – Front Connect	64			Washer, Spring – Conical (1/4)
38			Block and Cross Bar Assembly – Normal		851-0027	24	3-Pole, Rear Connect
	306-4079-01	1	3-Pole		851-0027	8	4-Pole, Rear Connect
	306-4080-01	1	4-Pole	65			Screw, Hex Washer Head – Thread Forming (1/4–20)
39	306-1396	2	Plate, Handle Mounting		815-0261	6	3-Pole, Rear Connect
40	306-1842	2	Handle, Actuator (See Separate Page For Components)		815-0261	8	4-Pole, Rear Connect
					306-3573	1	Block, Lug Mounting – Front Connect (Not Illustrated)
41	526-0077	2	Washer, Flat (5/16) – 3-Pole, Front Connect				Screw, Machine – Round Head (1/4–20 x 2.75) (Not Illustrated)
42	853-0016	2	Washer, Lock – W/ET (5/16) – 3-Pole, Front Connect		815-0656	2	3-Pole, Front Connect
43	332-2744-05	2	Standoff, Insulator – 3-Pole, Front Connect		815-0656	6	4-Pole, Front Connect
					815-0656	4	4-Pole, Rear Connect
44	337-2410-01	1	Strap, Load – Front Connect		815-0261	2	Screw, Thread Forming (1/4–20 x .50) – 3-Pole, Front Connect (Not Illustrated)
45	337-2410-02	1	Strap, Load – Front Connect				
46	337-2410-03	1	Strap, Load – Front Connect				
47	338-3792	1	Harness, Wiring		815-0290	4	Screw, Thread Forming (1/4–20 x .62) – 4-Pole, Front Connect (Not Illustrated)
48	337-2366	1	Bar, Neutral (3-Pole, Front Connect)				
49	332-2542	1	Clamp, Cable				

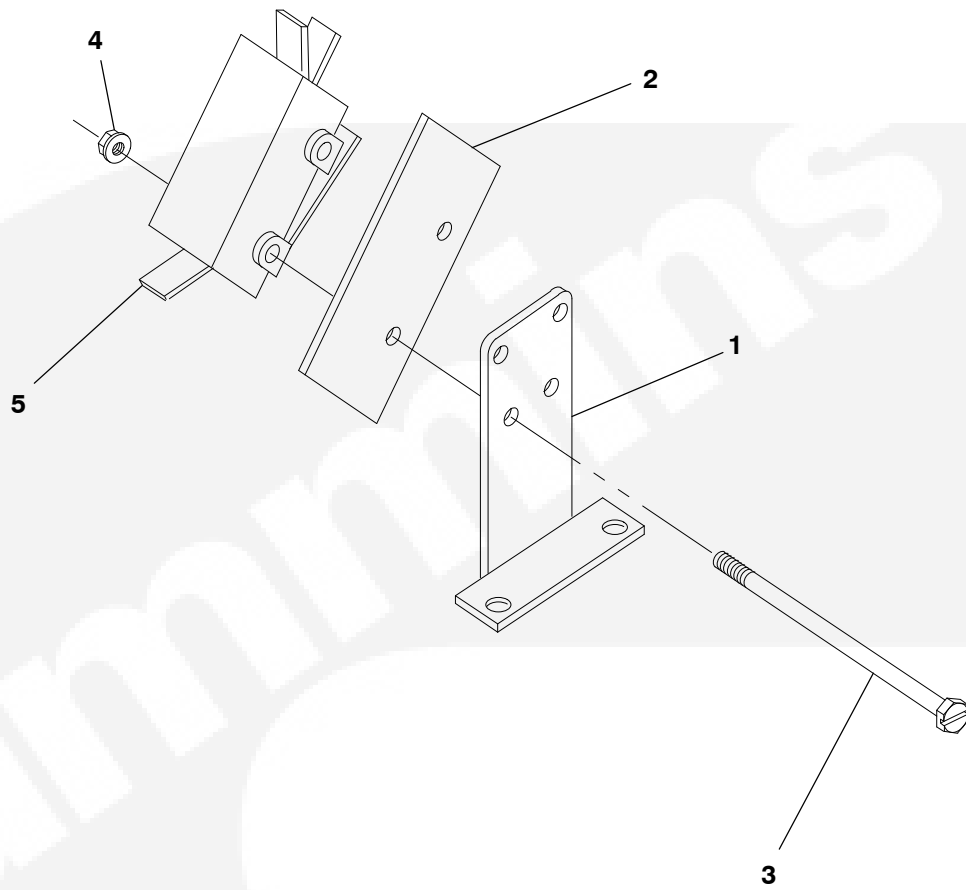
* Switch is actually 208 volts – A large transformer in the system reduces the 600 volt system voltage down to 208 volts.

Actuator Handle Assembly



REF NO.	PART NO.	QTY USED	PART DESCRIPTION	REF NO.	PART NO.	QTY USED	PART DESCRIPTION
	306-1842	2	Handle Assembly, Actuator	4	815-0933	1	Screw, Machine – Round Head – Cross Recessed (#10-32 x 1-3/4)
1	306-1382	1	Handle, Switch – Left Hand	5	870-0235	1	Nut, Self-Locking (#8-32)
2	306-1381	1	Handle, Switch – Right Hand	6	870-0298	1	Nut, Self-Locking (#10-32)
3	815-0932	1	Screw, Machine – Round Head – Cross Recessed (#8-32 x 2-1/4)				

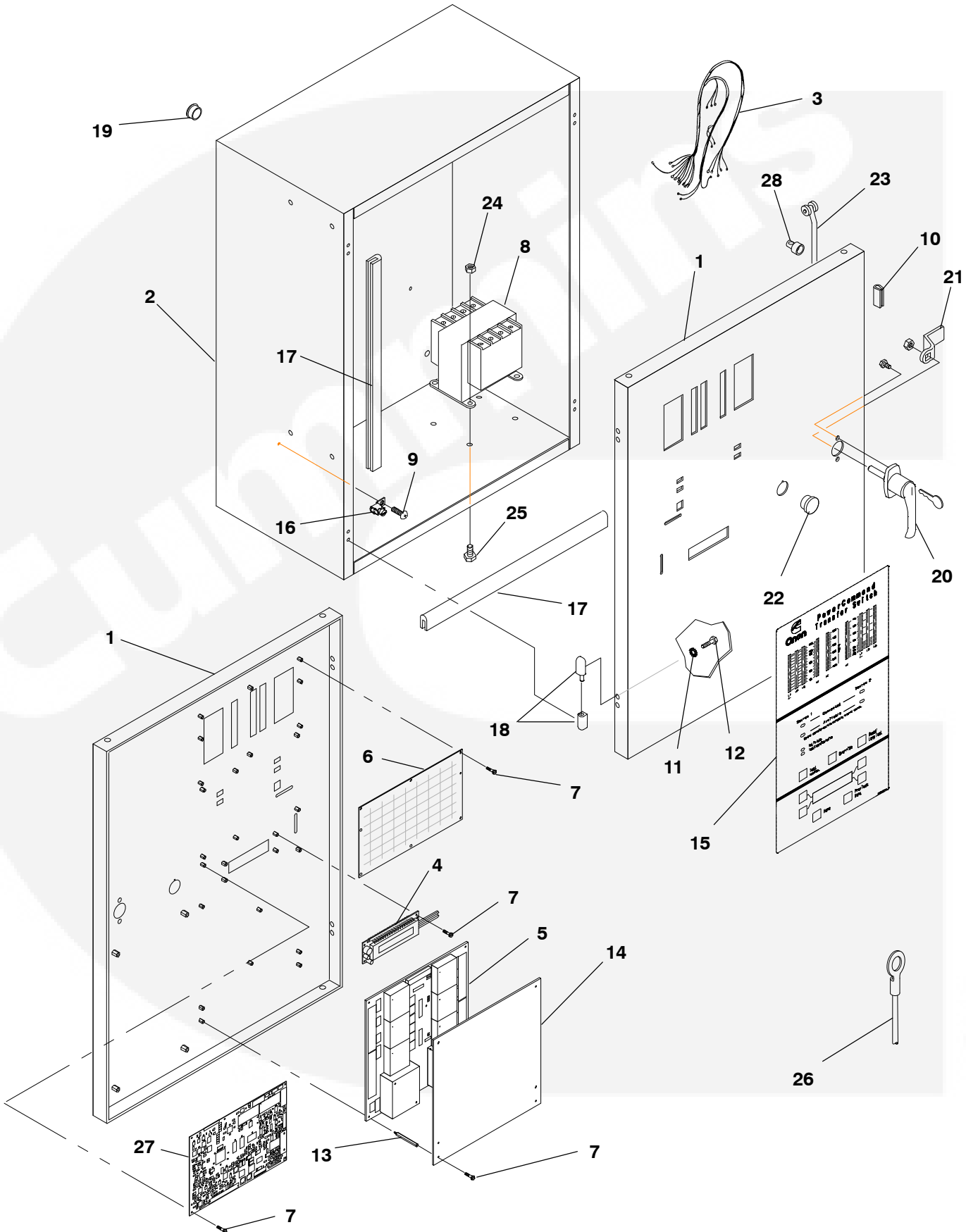
Auxiliary Switch Assembly



REF NO.	PART NO.	QTY USED	PART DESCRIPTION	REF NO.	PART NO.	QTY USED	PART DESCRIPTION
	306-3417	2	Switch Assembly, Auxiliary	4	870-0201	2	Nut, Lock (#6-32)
1	306-3420	2	Bracket, Switch - Auxiliary	5	309-0393	4	Switch, Snap-Action
2	306-3391	5	Barrier, Switch				
3	815-0686	2	Screw, Cap - Hex Head (#6-32 x 3-1/4)				

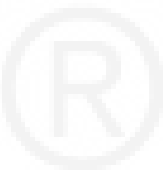


Cabinet Type 1

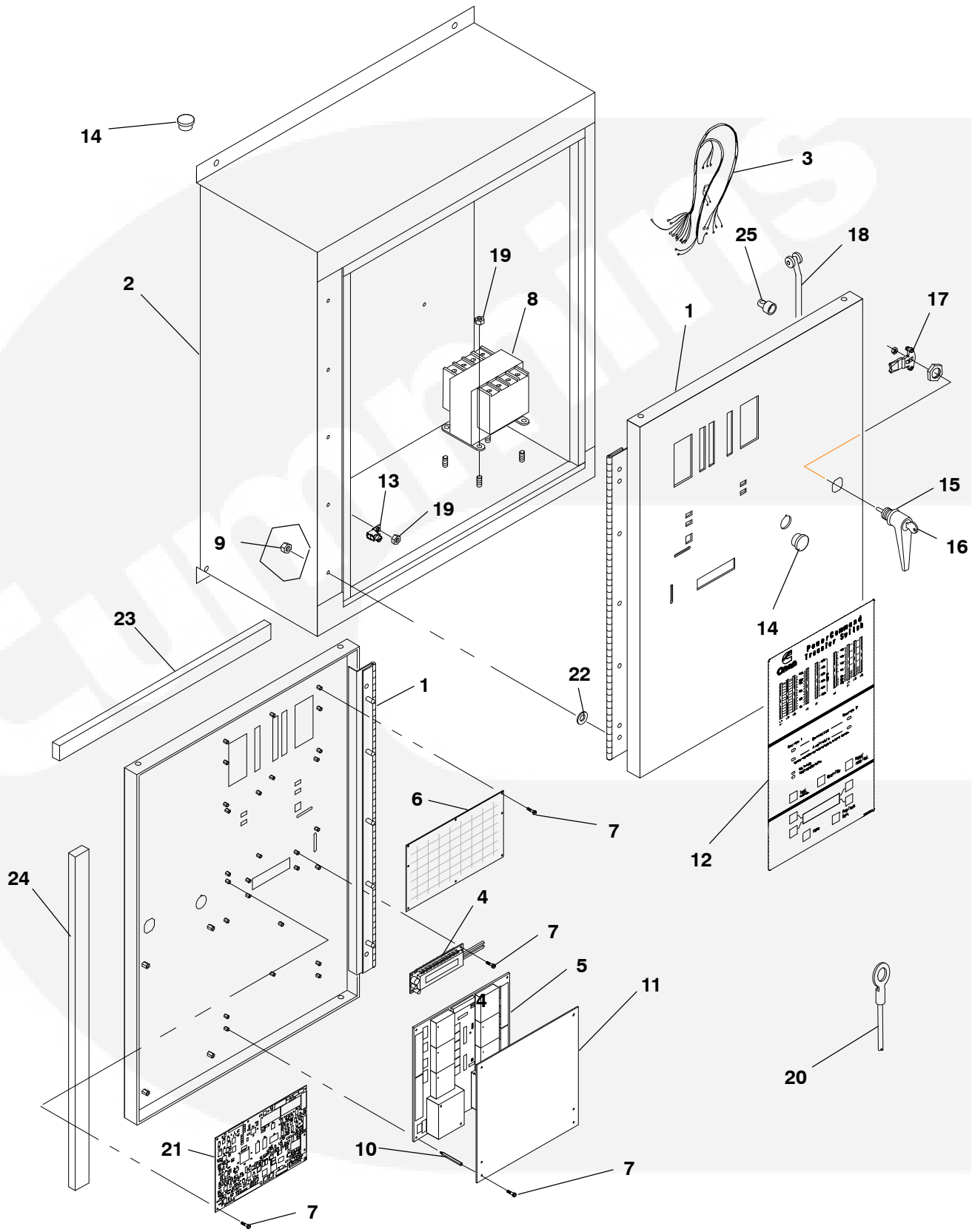


Cabinet Type 1

REF NO.	PART NO.	QTY USED	PART DESCRIPTION	REF NO.	PART NO.	QTY USED	PART DESCRIPTION
1	319-3865-02	1	Door, Cabinet	12			Screw, Cap – Hex Head (M5 x 8)
	319-3875-02	1	150/225 Amp 260 Amp		800-2000	8	150/225 Amp 260 Amp
2	319-3864-02	1	Cabinet		800-2000	12	
	319-3874-02	1	150/225 Amp 260 Amp	13	870-2216	4	Standoff, Male Snap
3			Harness, Main	14	306-4523	1	Cover, Printed Circuit Board
			Level 1 Control	15			Membrane, Panel
	338-3838-02	1	All Except 600 VAC		300-5185	1	Level 1 Control Without Digital Display
	338-3851-02	1	600 VAC		300-5186	1	With Digital Display
			Level 2 Control				Level 2 Control
	338-3852-02	1	All Except 600 VAC		300-5186	1	Without Meters–Bar Graph
	338-3853-02	1	600 VAC				Display
			Generator to Generator Applications		300-5271	1	With Meters–Bar Graph
	338-3852-03	1	All Except 600 VAC	16	332-3647	1	Display
	338-3853-03	1	600 VAC	17	508-1045	2	Lug, Solderless (1/4")
4	300-5151	1	Module, Digital Display	18			Edge, Protection
5			Board, Printed Circuit – Power		406-0810	2	Block, Hinge
			Module		406-0810	3	150/225 Amp
			Level 1 Control	19	517-0135	4	260 Amp
	300-5148-01	1	120 VAC	20	406-0809	1	Plug, Hole
	300-5148-02	1	208/220/240/440/480 VAC	21			Handle, Locking (Includes Hardware and 2 Keys)
	300-5148-03	1	600 VAC		406-0933	1	Latch, Cam
	300-5148-04	1	190/380/416 VAC		406-0934	1	150/225 Amp (1 Point) 260 Amp (3 Point)
			Level 2 Control	22	517-0137	1	Plug, Hole
	300-5149-05	1	120 VAC	23	306-3979	2	Rod, Roller (260 Amp)
	300-5149-06	1	208/220/240/440/480 VAC	24	870-0212	4	Nut, Self-Locking (1/4–20)
	300-5149-07	1	600 VAC	25	800-0003	4	Screw, Cap – Hex Head (1/4–20 x .50)
	300-5149-08	1	190/380/416 VAC	26			Lead (Quantity Used as Required)
6	300-5180	1	Board, Printed Circuit – Bar Graph		226-3554-01	1	6.0"
7	815-0959-03	26	Screw, Pan Head (M3 x 8)		226-3554-02	1	3.0"
8	315-0661	1	Transformer, Power (600 VAC Only)	27			Board, Printed Circuit – Digital
9	815-0261	1	Screw, Hex Washer Head – Thread Forming (1/4–20 x .50)		300-5146	1	Level 1 Control
					300-5147-01	1	Level 2 Control
10	508-1114	3	Edge, Protection	28	306-3467	2	Guide, Rod (260 Amp)
11			Washer, Lock – W/ET (M5)				
	853-2005	8	150/225 Amp				
	853-2005	12	260 Amp				



Cabinet Type 3R and 12

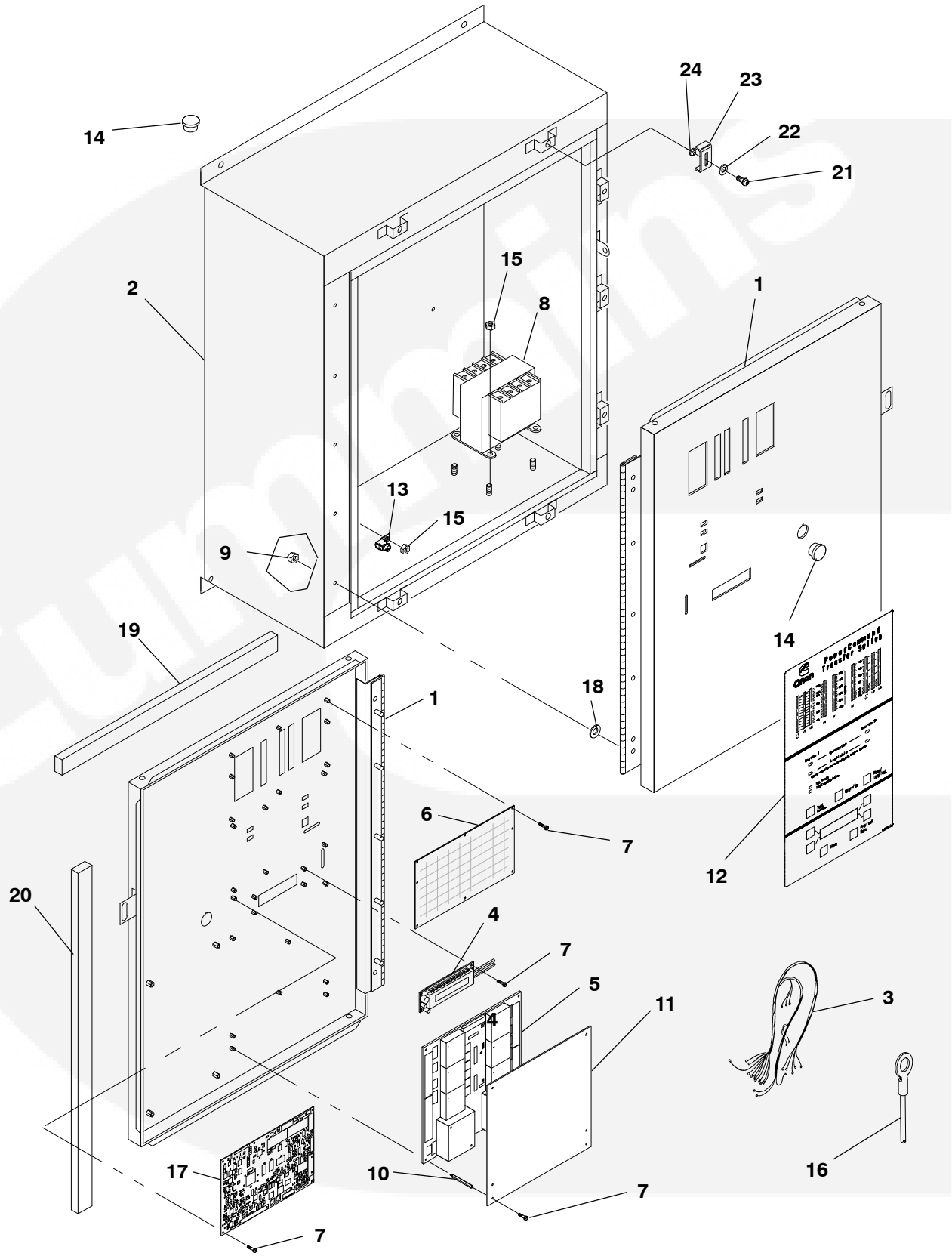


Cabinet Type 3R and 12

REF NO.	PART NO.	QTY USED	PART DESCRIPTION	REF NO.	PART NO.	QTY USED	PART DESCRIPTION
1			Door, Cabinet	8	315-0661	1	Transformer, Power (600 VAC Only)
	319-3868-02	1	150/225 Amp				
	319-3878-02	1	260 Amp	9	870-0131	6	Nut, Hex - W/ET (10-32)
2			Cabinet	10	870-2216	4	Standoff, Male Snap
			Type 3R Cabinet	11	306-4523	1	Cover, Printed Circuit Board
	319-3867-03	1	150/225 Amp	12			Membrane, Panel
	319-3877-03	1	260 Amp				Level 1 Control
			Type 12 Cabinet		300-5391	1	Without Digital Display
	319-3867-04	1	150/225 Amp		300-5392	1	With Digital Display
	319-3877-04	1	260 Amp				Level 2 Control
3			Harness, Main		300-5392	1	Without Meters-Bar Graph
			Level 1 Control				Display
	338-3838-02	1	All Except 600 VAC		300-5393	1	With Meters-Bar Graph
	338-3851-02	1	600 VAC				Display
			Level 2 Control	13	332-3647	1	Lug, Solderless (1/4")
	338-3852-02	1	All Except 600 VAC	14	517-0266	5	Plug, Hole
	338-3853-02	1	600 VAC	15	406-0613	1	Handle, Door (Includes Key)
			Generator to Generator Applications	16	406-0649	1	Key, Replacement
	338-3852-03	1	All Except 600 VAC	17	306-3525	1	Latch, Cam (3 Point)
	338-3853-03	1	600 VAC	18			Rod, Roller
4	300-5151	1	Module, Digital Display		306-3526-01	2	150/225 Amp
5			Board, Printed Circuit - Power Module		306-3526-02	2	260 Amp
			Level 1 Control	19	870-0212	5	Nut, Self-Locking (1/4-20)
	300-5148-01	1	120 VAC	20			Lead (Quantity Used as Required)
	300-5148-02	1	208/220/240/440/480 VAC		226-3554-01	1	6.0"
					226-3554-02	1	3.0"
	300-5148-03	1	600 VAC	21		1	Board, Printed Circuit - Digital
	300-5148-04	1	190/380/416 VAC		300-5146	1	Level 1 Control
			Level 2 Control		300-5147-01	1	Level 2 Control
	300-5149-05	1	120 VAC	22	508-0233	6	Washer, Rubber
	300-5149-06	1	208/220/240/440/480 VAC	23			Gasket, Door
					895-0293-03	2	150/225 Amp
	300-5149-07	1	600 VAC		895-0293-05	2	260 Amp
	300-5149-08	1	190/380/416 VAC	24			Gasket, Door
6	300-5180	1	Board, Printed Circuit - Bar Graph		895-0293-04	2	150/225 Amp
					895-0293-06	2	260 Amp
7	815-0959-03	26	Screw, Pan Head (M3 x 8)	25	306-3467	2	Guide, Rod



Cabinet Type 4

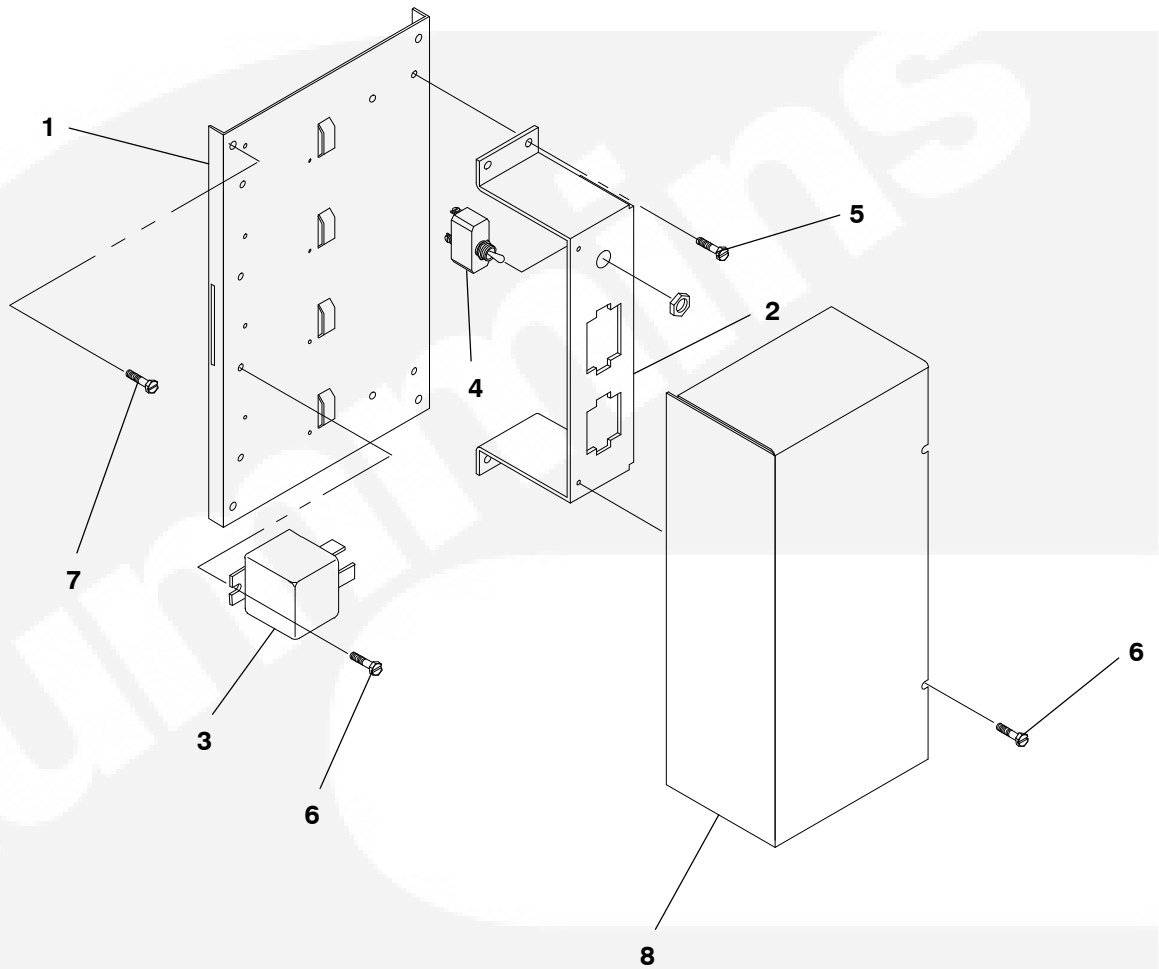


Cabinet Type 4

REF NO.	PART NO.	QTY USED	PART DESCRIPTION	REF NO.	PART NO.	QTY USED	PART DESCRIPTION
1			Door, Cabinet	9	870-0131	6	Nut, Hex - W/ET (10-32)
	319-3871-02	1	150/225 Amp	10	870-2216	4	Standoff, Male Snap
	319-3881-02	1	260 Amp	11	306-4523	1	Cover, Printed Circuit Board
2			Cabinet	12			Membrane, Panel
	319-3870-02	1	150/225 Amp				Level 1 Control
	319-3880-02	1	260 Amp		300-5391	1	Without Digital Display
3			Harness, Main		300-5392	1	With Digital Display
			Level 1 Control				Level 2 Control
	338-3838-02	1	All Except 600 VAC		300-5392	1	Without Meters-Bar Graph
	338-3851-02	1	600 VAC				Display
			Level 2 Control		300-5393	1	With Meters-Bar Graph
	338-3852-02	1	All Except 600 VAC				Display
	338-3853-02	1	600 VAC	13	332-3647	1	Lug, Solderless (1/4")
			Generator to Generator Applications	14	517-0266	5	Plug, Hole
			All Except 600 VAC	15	870-0212	5	Nut, Self-Locking (1/4-20)
	338-3852-03	1	600 VAC	16			Lead (Quantity Used as Required)
	338-3853-03	1					6.0"
4	300-5151	1	Module, Digital Display		226-3554-01	1	3.0"
5			Board, Printed Circuit - Power		226-3554-02	1	
			Module	17		1	Board, Printed Circuit - Digital
			Level 1 Control		300-5146	1	Level 1 Control
	300-5148-01	1	120 VAC		300-5147-01	1	Level 2 Control
	300-5148-02	1	208/220/240/440/480 VAC	18	508-0233	6	Washer, Rubber
				19			Gasket, Door
	300-5148-03	1	600 VAC		895-0293-03	2	150/225 Amp
	300-5148-04	1	190/380/416 VAC		895-0293-05	2	260 Amp
			Level 2 Control	20			Gasket, Door
	300-5149-05	1	120 VAC		895-0293-04	2	150/225 Amp
	300-5149-06	1	208/220/240/440/480 VAC		895-0293-06	2	260 Amp
				21	812-0177	7	Screw, Round Head (5/16-18 x .75)
	300-5149-07	1	600 VAC				Washer, Flat (5/16)
	300-5149-08	1	190/380/416 VAC	22	526-0022	7	Bracket, Door
6	300-5180	1	Board, Printed Circuit - Bar Graph	23	301-6727	7	Spring, Conical
7	815-0959-03	26	Screw, Pan Head (M3 x 8)	24	406-0519	7	
8	315-0661	1	Transformer, Power (600 VAC Only)				



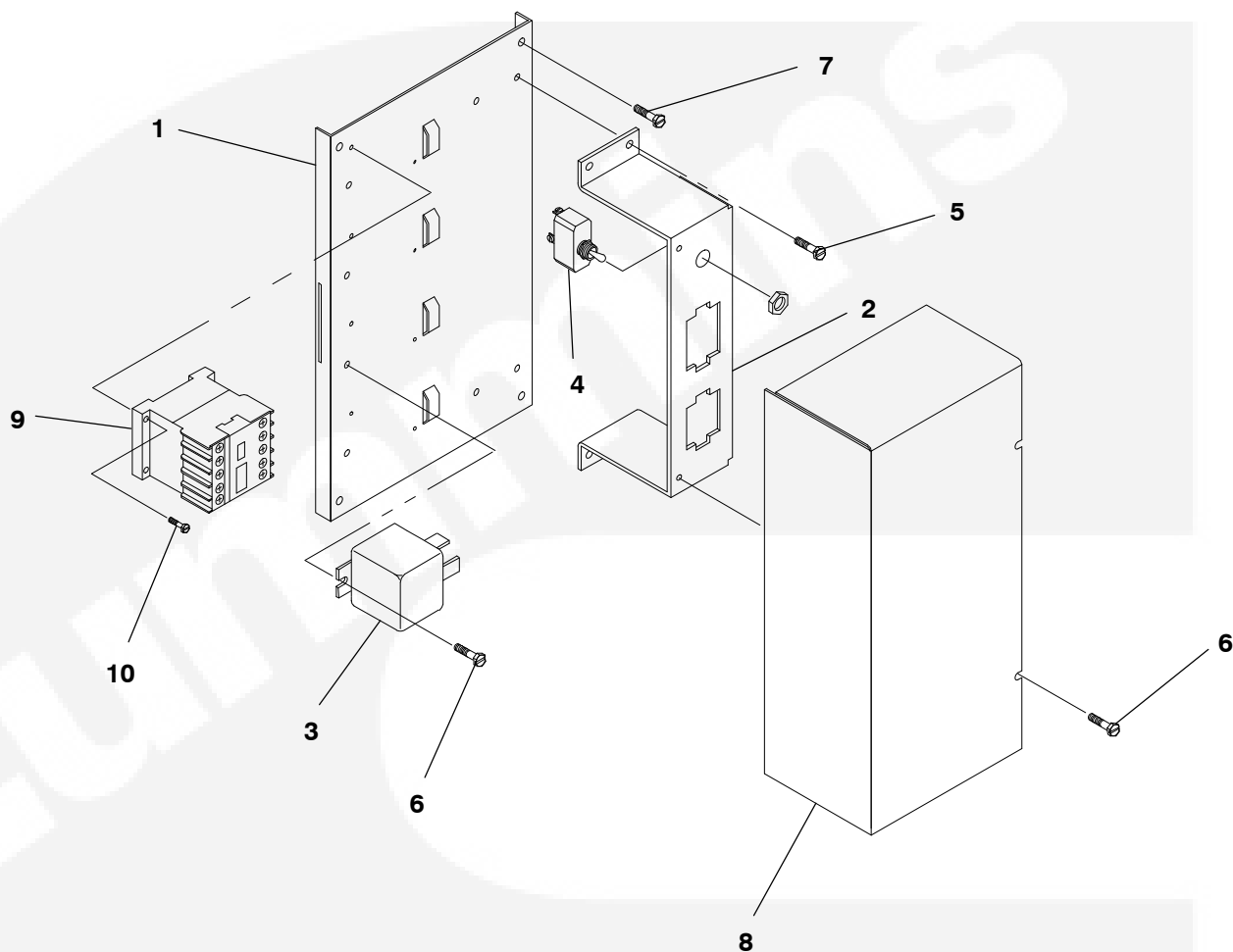
Accessory Control Plate (Less than 600 Volt)



CP01

REF NO.	PART NO.	QTY USED	PART DESCRIPTION	REF NO.	PART NO.	QTY USED	PART DESCRIPTION
1	319-3940-02	1	Plate, Relay	6	815-0792-02	5	Screw, Pan Head – Crossed Recessed (M4 x 8)
2	319-3941-02	1	Bracket, Connector	7	815-0960-04	4	Screw, Pan Head – Crossed Recessed (M4 x 12)
3	307-2929	3	Relay – 3PDT	8	319-3942-02	1	Cover, Relay Plate
4	308-0406	1	Switch, Toggle				
5	815-0955-03	4	Screw, Phillips/Hex Head – GND (M4 x 10)				

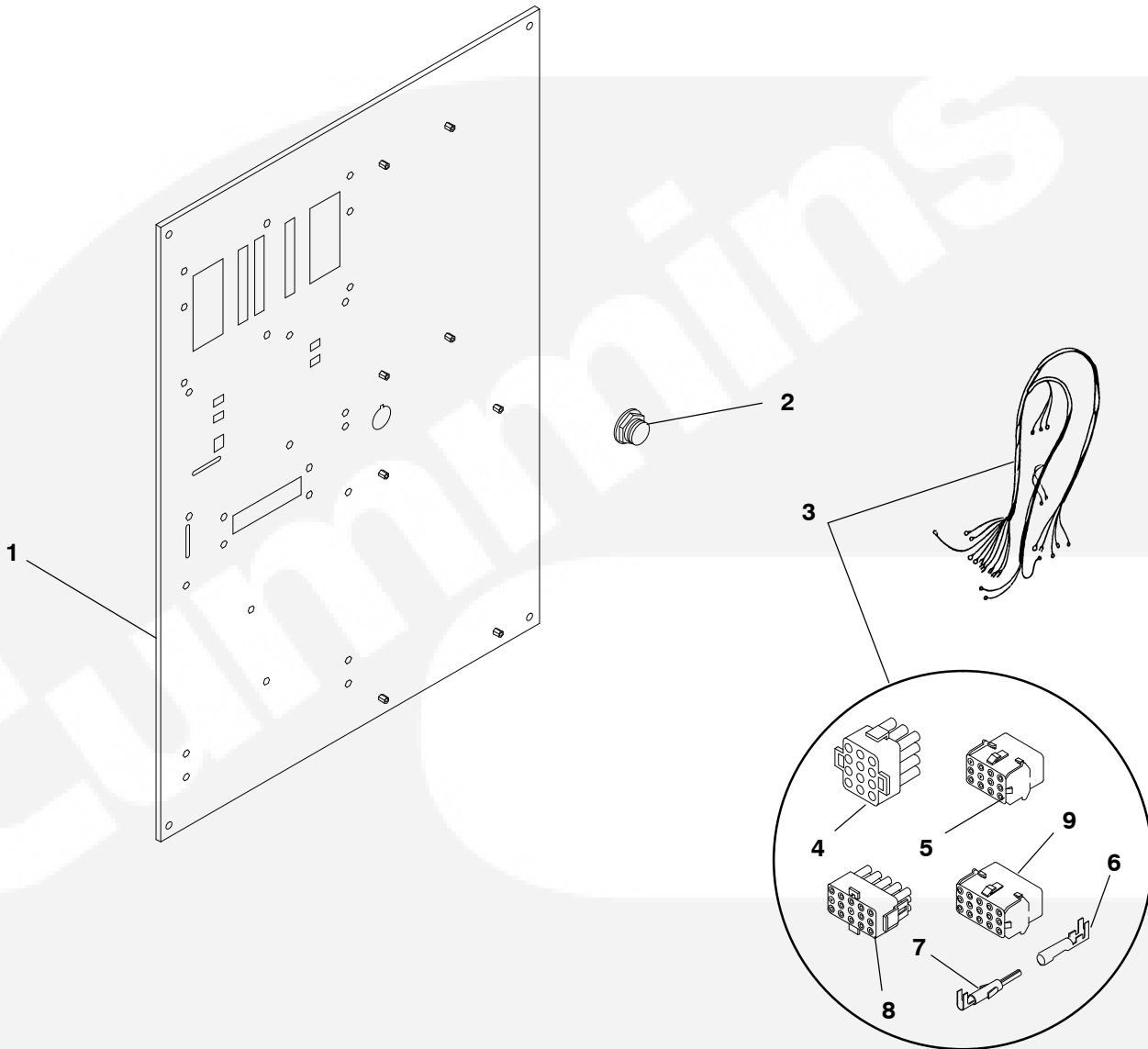
Accessory Control Plate (600 Volt)



R027

REF NO.	PART NO.	QTY USED	PART DESCRIPTION	REF NO.	PART NO.	QTY USED	PART DESCRIPTION
1	319-3940-02	1	Plate, Relay	7	815-0960-04	4	Screw, Pan Head – Crossed Recessed (M4 x 12)
2	319-3941-02	1	Bracket, Connector	8	319-3942-02	1	Cover, Relay Plate
3	307-2929	1	Relay – 3PDT	9	307-2931	2	Relay, Control
4	308-0406	1	Switch, Toggle	10	815-0958-04	4	Screw, Pan Head – Cross Recessed (M3 x 12)
5	815-0955-03	4	Screw, Phillips/Hex Head – GND (M4 x 10)				
6	815-0792-02	3	Screw, Pan Head – Crossed Recessed (M4 x 8)				

Plate and Wiring Harness (Open Construction)



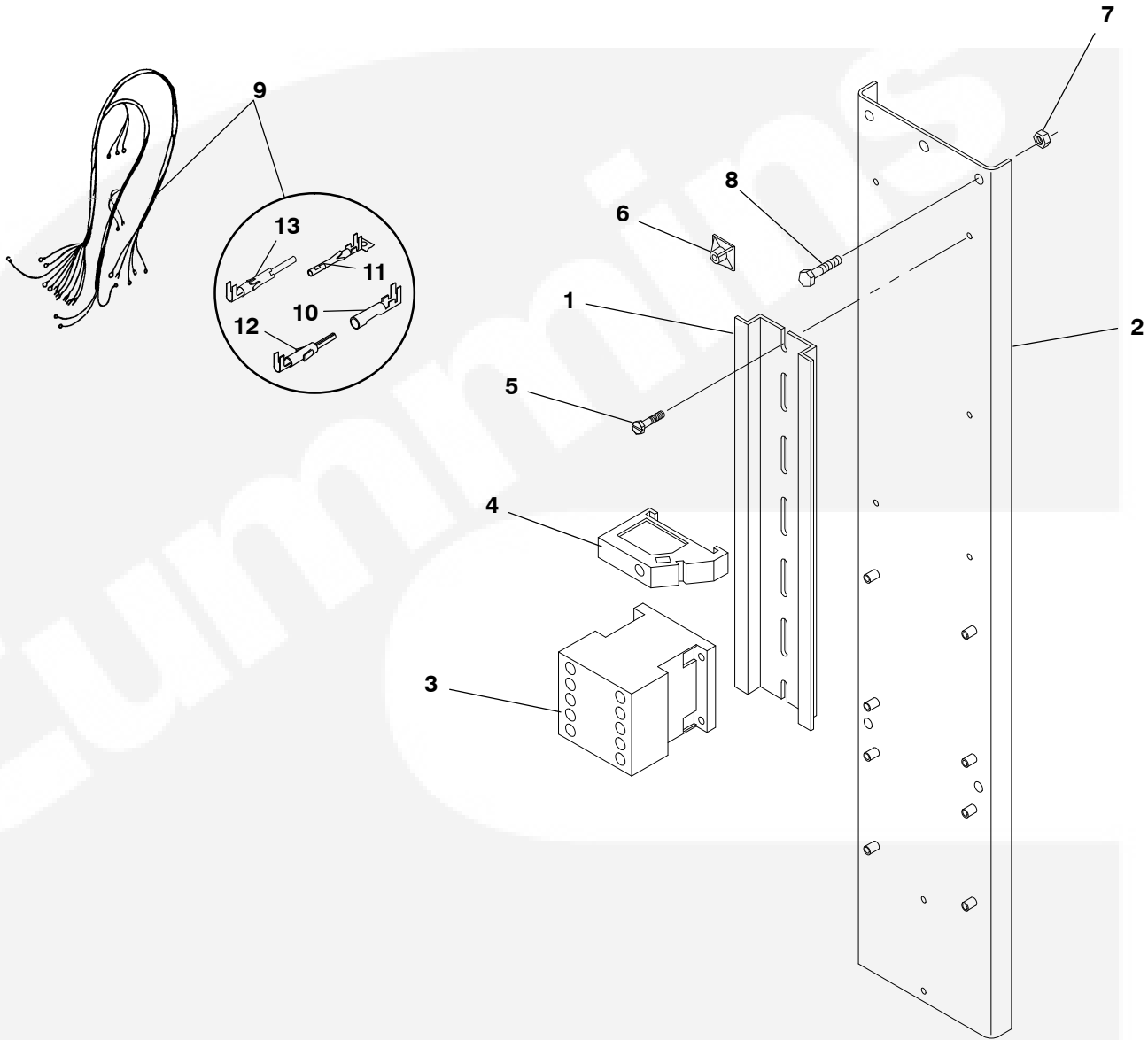
B004, N013

REF NO.	PART NO.	QTY USED	PART DESCRIPTION
1	319-4011-02	1	Plate, Open Construction
2	517-0266	1	Plug, Hole
3	338-2219	1	Harness, Control (Optional) With 12 Pin Connector (Includes Parts Marked *)
	338-2220	1	With 15 Pin Connector (Includes Parts Marked #)
4	323-1314	1	* Plug, Connector (12 Pin) (P2)
5	323-1315	1	* Cap, Connector (12 Pin) (J2)

REF NO.	PART NO.	QTY USED	PART DESCRIPTION
6			*# Socket, Contact
	323-1200	12	338-2219 Wiring Harness
	323-1200	15	338-2220 Wiring Harness
7			*# Pin, Contact
	323-1199	12	338-2219 Wiring Harness
	323-1199	15	338-2220 Wiring Harness
8	323-1252	1	# Plug, Connector (15 Pin) (P1)
9	323-1253	1	# Cap, Connector (15 Pin) (J1)

* - Parts Included in 338-2219 Wiring Harness
- Parts Included in 338-2220 Wiring Harness

Wiring Harness Battery Charger (Generator Set to Generator Set)

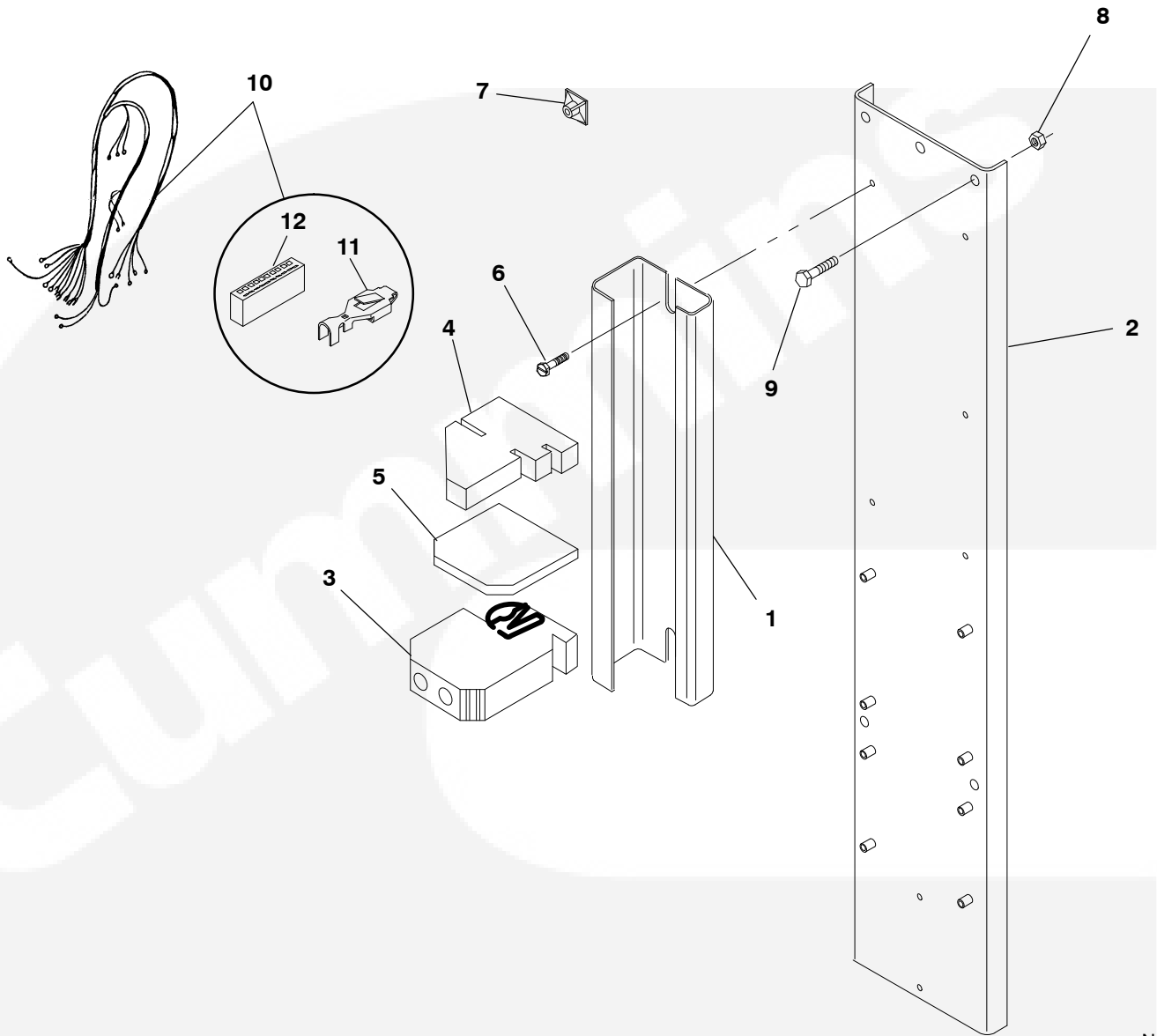


A037

REF NO.	PART NO.	QTY USED	PART DESCRIPTION	REF NO.	PART NO.	QTY USED	PART DESCRIPTION
1	332-2879-04	1	Rail, Terminal	9	338-3836	1	Harness, Battery Charger (Includes Parts Marked *)
2	319-3943	1	Plate, Mounting	10	323-1200	2	* Socket, Contact
3	307-2873	1	Relay, Control (12 VDC)	11	332-3606	1	* Socket, Contact
4	332-2878	2	Bracket, End	12	323-1199	2	* Pin, Contact
5	815-0955-03	2	Screw, Phillips/Hex Head - GND (M4 x 10)	13	323-1703	2	* Pin, Contact
6	332-2420	2	Mount, Cable Tie				
7	870-0212	4	Nut, Self-Locking (1/4-20)				
8	800-0005	4	Screw, Cap - Hex Head (1/4-20 x .75)				

* - Parts Included in 338-3836 Wiring Harness

Battery Charger Alarm

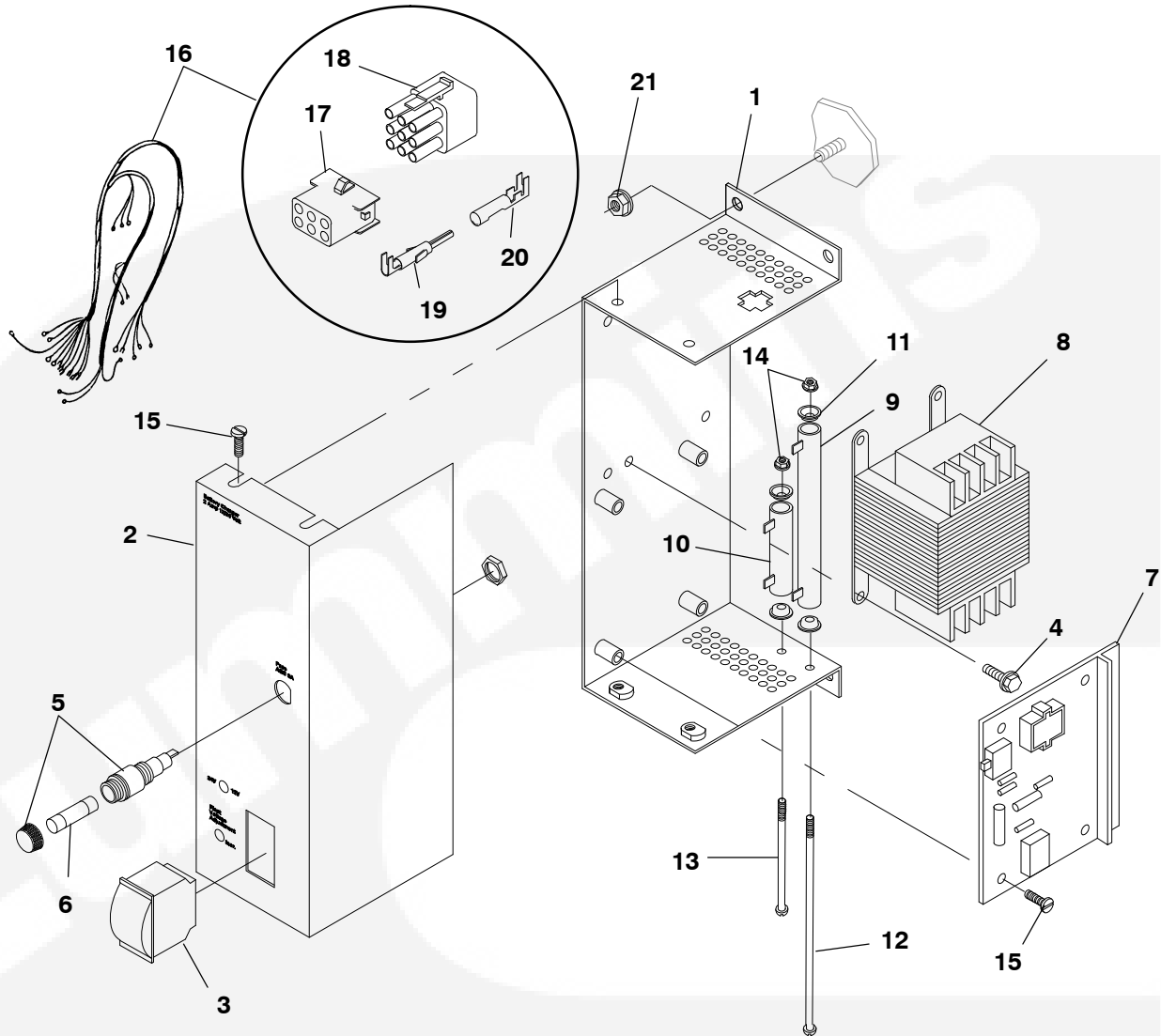


N002

REF NO.	PART NO.	QTY USED	PART DESCRIPTION	REF NO.	PART NO.	QTY USED	PART DESCRIPTION
1	332-2837-09	1	Rail, Terminal Block	9	800-0005	4	Screw, Cap - Hex Head (1/4-20 x .75)
2	319-3943	1	Plate, Mounting	10	338-2350	1	Harness, Alarm (Includes Parts Marked *)
3	332-2836-02	1	Block, Terminal (Sectional)	11	323-1302	9	* Pin, Contact (J2)
4	332-2839	2	Bracket, End - Terminal	12	323-1374-10	1	* Housing, Connector (10 Pin) (J2)
5	332-2841	1	Plate, End - Terminal				
6	815-0955-03	2	Screw, Phillips/Hex Head - GND (M4 x 10)				
7	332-2420	2	Mount, Cable Tie				
8	870-0212	4	Nut, Self-Locking (1/4-20)				

* - Parts Included in 338-2349 Wiring Harness

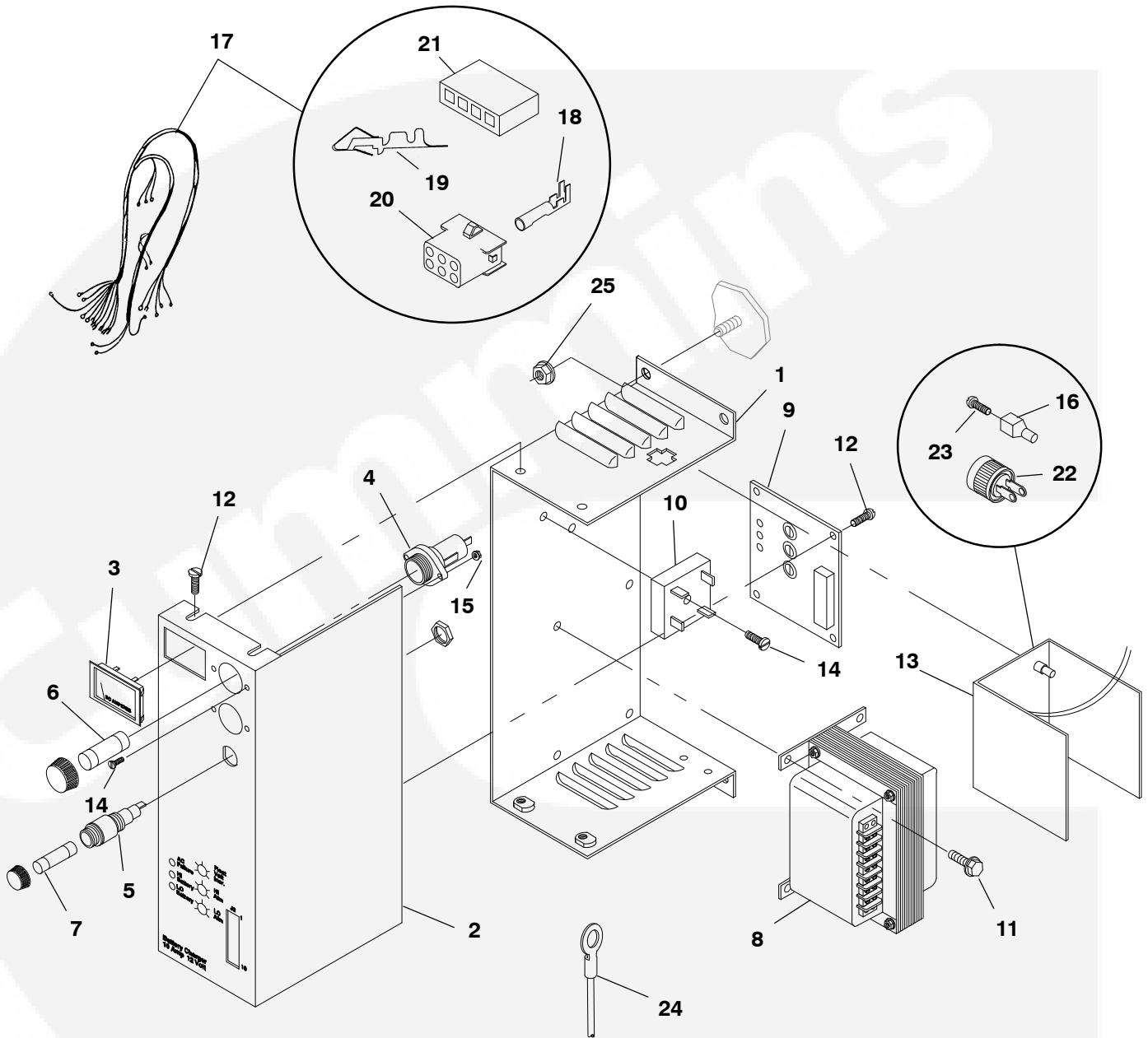
Battery Charger 2 Amp, 12/24 Volt



REF NO.	PART NO.	QTY USED	PART DESCRIPTION	REF NO.	PART NO.	QTY USED	PART DESCRIPTION
1	301-9990	1	Wrapper, Charger – Battery	13	813-0112	1	Screw, Machine – Round Head (#10-32 x 2-1/2)
2	301-9991	1	Cover, Charger – Battery	14	870-0131	2	Nut, Hex – W/ET (#10-32)
3	302-0807	1	Ammeter, DC	15	815-0845	8	Screw, Pan Head – W/ET (#6-32 x 3/8)
4	821-0040	4	Screw, Machine – Locking Head Slotted (#10-32 x 5/16)	16	338-2149	1	Harness, Wiring (Includes Parts Marked #)
5	321-0175	1	Holder, Fuse	17	323-1318	1	*Cap, 6 pin (J6)
6	321-0153	1	Fuse, 3 Amp	18	323-1291	1	*Plug, 9 pin (P9)
7	300-2946	1	Board, Printed Circuit	19	323-1199	A/R	*Pin, Terminal
8			Transformer	20	323-1200	A/R	*Socket, Terminal
	315-0621-01	1	120 Volt	21	862-0026-53	4	Nut, Hex – W/ET (M5)
	315-0621-02	1	208/240/480 Volt				
	315-0621-03	1	380/416 Volt				
	315-0621-04	1	600 Volt				
9	304-0037	1	Resistor, Fixed				
10	304-0139	1	Resistor, Fixed				
11	304-0015	4	Washer, Centering (7/32")				
12	813-0116	1	Screw, Machine – Round Head (#10-32 x 6-1/2)				

* – Parts Included in 338-2149 Wiring Harness

Battery Charger 10 Amp, 12 Volt



Battery Charger 10 Amp, 12 Volt

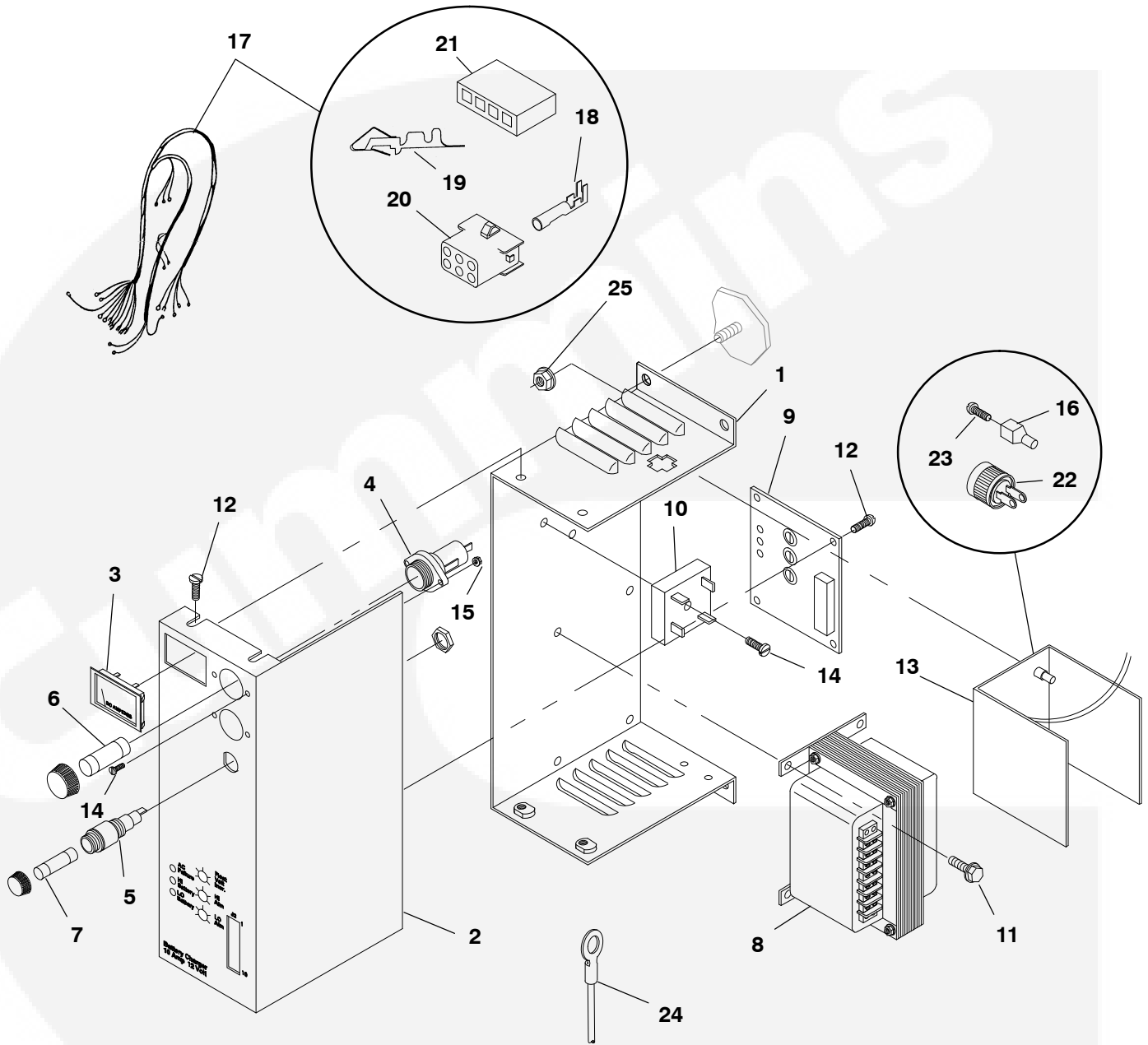
REF NO.	PART NO.	QTY USED	PART DESCRIPTION	REF NO.	PART NO.	QTY USED	PART DESCRIPTION
1	319-0072	1	Wrapper, Charger – Battery	9	300-3160	1	PCB, Charger – Battery
2	319-0073	1	Cover, Charger – Battery	10	305-0653	1	Rectifier, Bridge
3	302-1844	1	Ammeter, DC	11	821-0040	4	Screw, Machine – Locking Head (#10-32 x 5/16)
4	321-0237	2	Holder, Fuse (AC Input)	12	815-0845	8	Screw, Pan Head – W/ET (#6-32 x 3/8)
5	321-0104	1	Holder, Fuse (DC Output)	13	305-0781	1	Rectifier Assembly – SCR (12 Volt) (Includes Parts Marked *)
6			Fuse	14	815-0539	6	Screw, Pan Head – W/ET (#8-32 x 5/8)
			50 Hertz	15	870-0221	5	Nut, Hex – W/ET (#8-32)
	321-0304-01	2	416/440 Volt	16	870-0263	4	*Nut, Insulated (#8)
	321-0304-02	2	380 Volt	17	338-2223	1	Harness, Battery Charger (Includes Parts Marked #)
	321-0304-03	2	240 Volt	18	323-1200	A/R	#Socket, Terminal
	321-0304-04	2	220 Volt	19	323-1302	A/R	#Pin, Terminal
			60 Hertz	20	323-1318	1	#Cap, 6 pin
	321-0304-01	2	480 Volt	21	323-1374-05	1	#Plug, 5 pin
	321-0304-02	2	380 Volt	22	364-0003	1	*Rectifier, Gate (SCR)
	321-0304-03	2	240 Volt	23	809-0035	4	*Screw, Sheet Metal – Round Head (#8 x 3/4)
	321-0304-04	2	208 Volt	24	226-3554-02	1	Lead (Quantity Used as Required)
	321-0304-05	2	120 Volt	25	862-0026-53	4	Nut, Hex – W/ET (M5)
	321-0303-02	2	600 Volt				
7	321-0127	1	Fuse (15 Amp)				
8			Transformer				
			50 Hertz				
	315-0702	1	380 Volt				
	315-0704	1	220/416/440 Volt				
	315-0712	1	240 Volt				
			60 Hertz				
	315-0700	1	120/208/240 Volt				
	315-0706	1	380 Volt				
	315-0708	1	480 Volt				
	315-0710	1	600 Volt				

– Parts Included in 338-2223 Wiring Harness

* – Parts Included in 305-0781 Rectifier Assembly



Battery Charger 10 Amp, 24 Volt



Battery Charger 10 Amp, 24 Volt

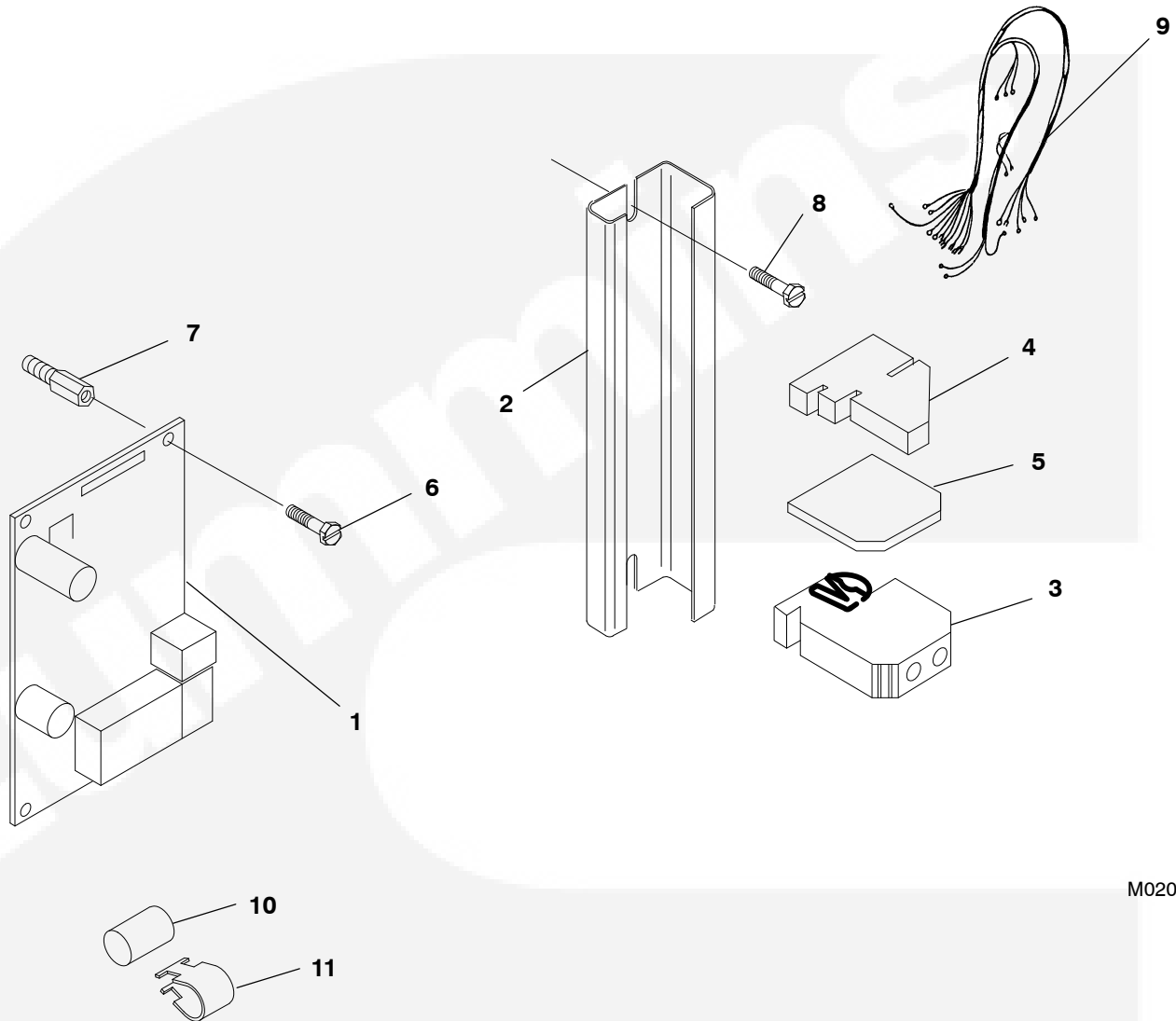
REF NO.	PART NO.	QTY USED	PART DESCRIPTION	REF NO.	PART NO.	QTY USED	PART DESCRIPTION
1	319-0072	1	Wrapper, Charger – Battery	9	300-3244	1	PCB, Charger – Battery
2	319-0073	1	Cover, Charger – Battery (Includes Silkscreen)	10	305-0653	1	Rectifier, Bridge
3	302-1844	1	Ammeter, DC	11	821-0040	4	Screw, Machine – Locking Head (#10-32 x 5/16)
4	321-0237	2	Holder, Fuse (AC Input)	12	815-0845	8	Screw, Pan Head – W/ET (#6-32 x 3/8)
5	321-0104	1	Holder, Fuse (DC Output)	13	305-0781	1	Rectifier Assembly – SCR (12 Volt) (Includes Parts Marked *)
6			Fuse				
			50 Hertz				
	321-0304-04	2	380/416/440 Volt	14	815-0539	6	Screw, Pan Head – W/ET (#8-32 x 5/8)
	321-0304-05	2	240 Volt	15	870-0221	5	Nut, Hex – W/ET (#8-32)
	321-0304-06	2	220 Volt	16	870-0263	4	*Nut, Insulated (#8)
			60 Hertz	17	338-2223	1	Harness, Battery Charger (Includes Parts Marked #)
	321-0303-02	2	600 Volt	18	323-1200	A/R	#Socket, Terminal
	321-0304-03	2	480 Volt	19	323-1302	A/R	#Pin, Terminal
	321-0304-04	2	380 Volt	20	323-1318	1	#Cap, 6 pin
	321-0304-05	2	240 Volt	21	323-1374-05	1	#Plug, 5 pin
	321-0304-06	2	120/208 Volt	22	364-0003	1	*Rectifier, Gate (SCR)
7	321-0127	1	Fuse (15 Amp)	23	809-0035	4	*Screw, Sheet Metal – Round Head (#8 x 3/4)
8			Transformer	24	226-3554-02	1	Lead (Quantity Used as Required)
			50 Hertz	25	862-0026-53	4	Nut, Hex – W/ET (M5)
	315-0705	1	220/416/440 Volt				
	315-0703	1	380 Volt				
	315-0713	1	240 Volt				
			60 Hertz				
	315-0701	1	120/208/240 Volt				
	315-0707	1	380 Volt				
	315-0709	1	480 Volt				
	315-0711	1	600 Volt				

– Parts Included in 338-2223 Wiring Harness

* – Parts Included in 305-0781 Rectifier Assembly



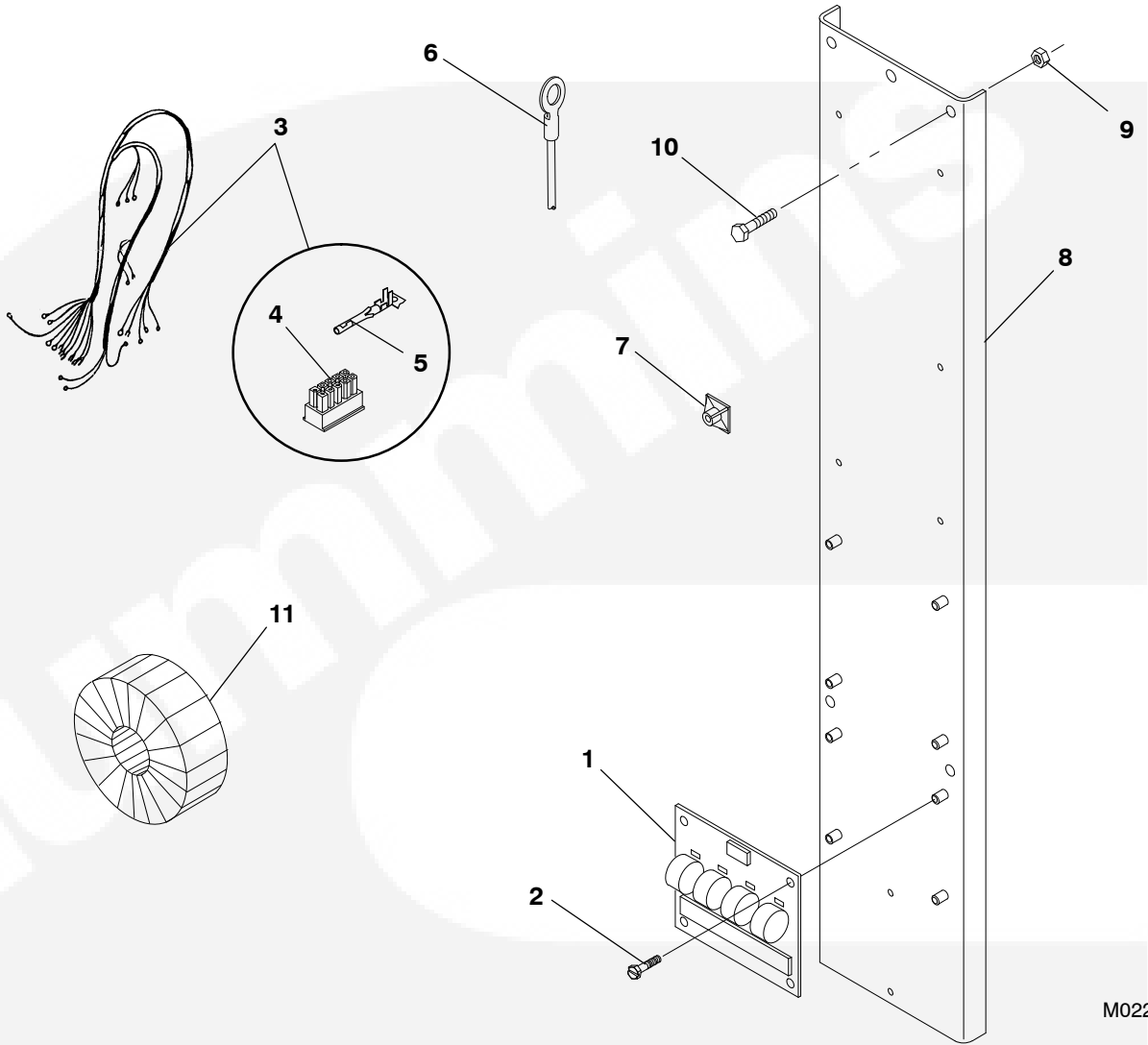
Network Module



M020

REF NO.	PART NO.	QTY USED	PART DESCRIPTION	REF NO.	PART NO.	QTY USED	PART DESCRIPTION
1	327-1542	1	Board, Printed Circuit - Network Module	7	870-2213-02	4	Standoff, Hex Thread (M3)
2	332-2837-09	1	Rail, Terminal Block	8	815-0955-03	2	Screw, Phillips/Hex Head - GND (M4 x 10)
3	332-2836-01	2	Block, Terminal (Sectional)	9	338-3886	1	Harness, Network
4	332-2839	2	Bracket, End - Terminal	10		2	Battery - Lithium (3.0V) (Purchase Locally)
5	332-2841	1	Plate, End - Terminal	11	416-1049	2	Clip, Battery
6	815-0959-03	4	Screw, Pan Head (M3 x 0.5 x 8)				

Current Transformer Module

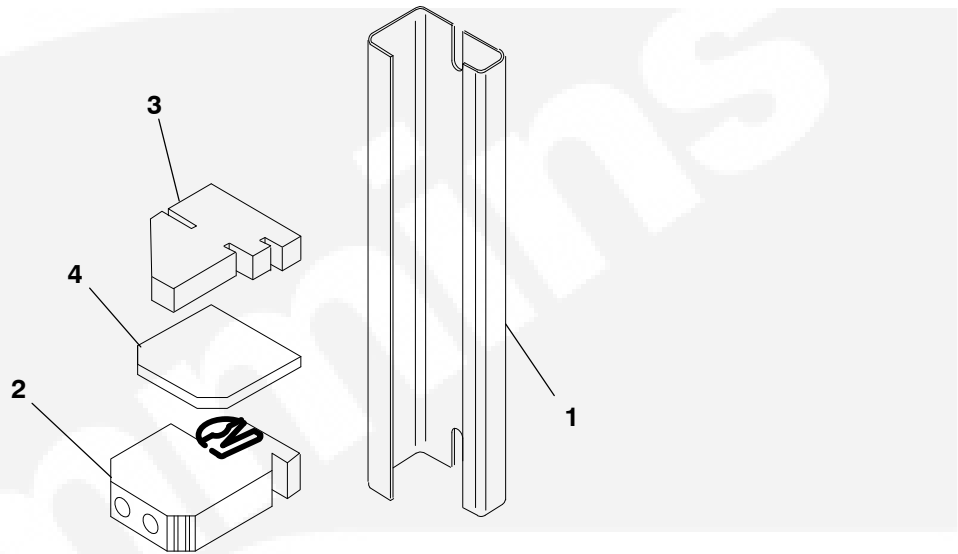


M022

REF NO.	PART NO.	QTY USED	PART DESCRIPTION	REF NO.	PART NO.	QTY USED	PART DESCRIPTION
1	300-5254	1	Board, Printed Circuit – Current Module	11			Transformer, Current 150 Amp
2	815-0959-03	4	Screw, Pan Head (M3 x 8)	302-1811	2		120 VAC
3	338-3884-01	1	Harness, Current Module (Includes Parts Marked *)	302-1811	3		1 Phase, 2 or 3 Wire
4	323-1806-05	2	* Connector, Receptacle (10 Pin)	302-1811	4		3 Phase, 3 or 4 Wire
5	332-3606	20	* Socket, Contact	302-0209	2		225 Amp 120 VAC
6			Lead	302-0209	3		1 Phase, 2 or 3 Wire
	226-4794-03	1	15" (Marked J40-14, GND)	302-0209	4		3 Phase, 3 or 4 Wire
	226-4794-04	4	3" (No Markings)				260 Amp
7	332-2420	2	Mount, Cable Tie	302-1393	2		120 VAC
8	319-3943	1	Plate, Mounting	302-1393	3		1 Phase, 2 or 3 Wire
9	870-0212	4	Nut, Self-Locking (1/4-20)	302-1393	4		3 Phase, 3 or 4 Wire
10	800-0005	4	Screw, Cap – Hex Head (1/4-20 x .75)				

* – Parts Included in 338-3884-01 Wiring Harness

Terminal Block

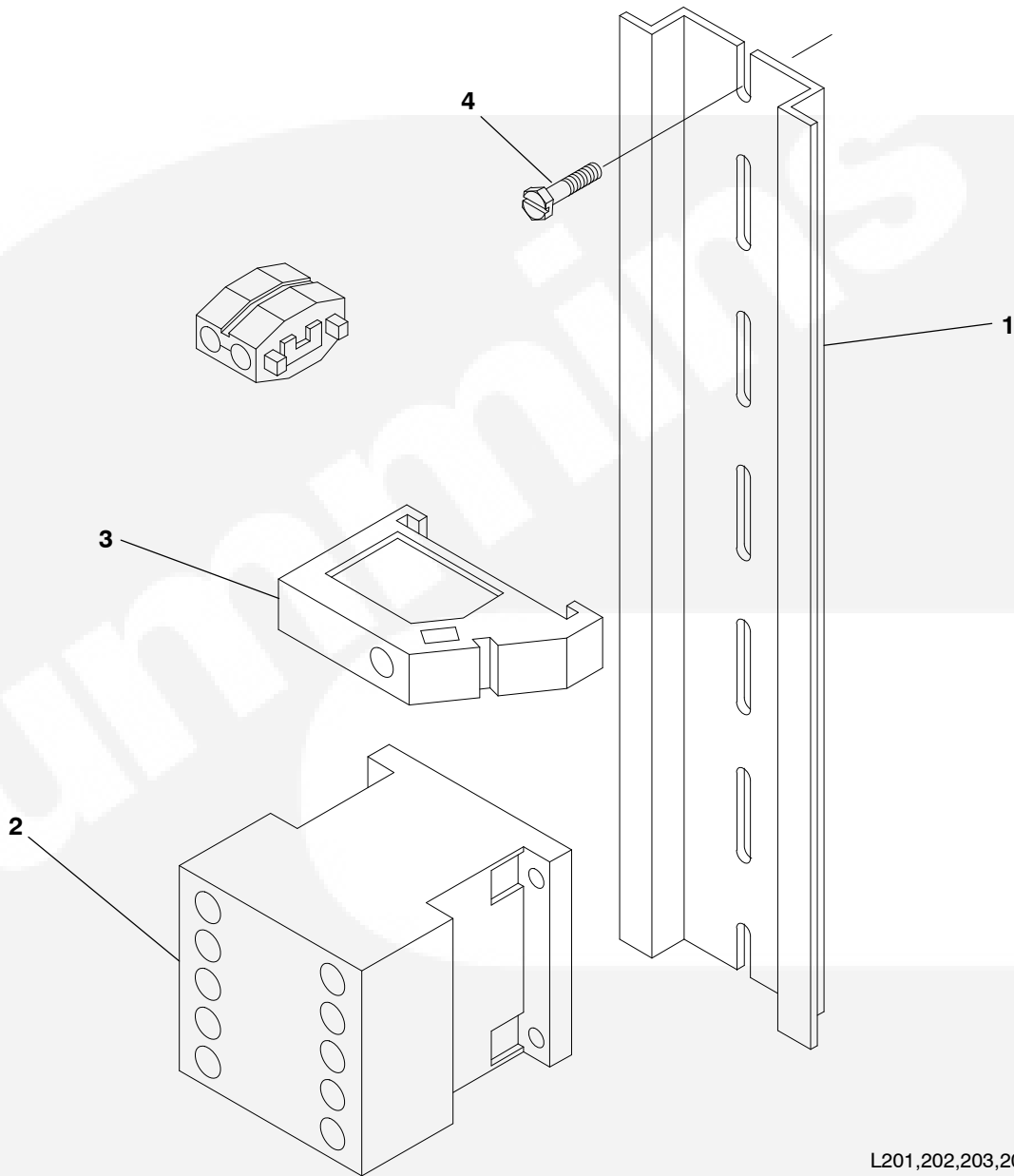


A037,K001,K002,K003

REF NO.	PART NO.	QTY USED	PART DESCRIPTION	REF NO.	PART NO.	QTY USED	PART DESCRIPTION
1	332-2837-09	1	Rail, Terminal Block	3	332-2839	2	Bracket, End - Terminal
2	332-2836-02	3	Block, Terminal (Sectional)	4	332-2841	1	Plate, End - Terminal



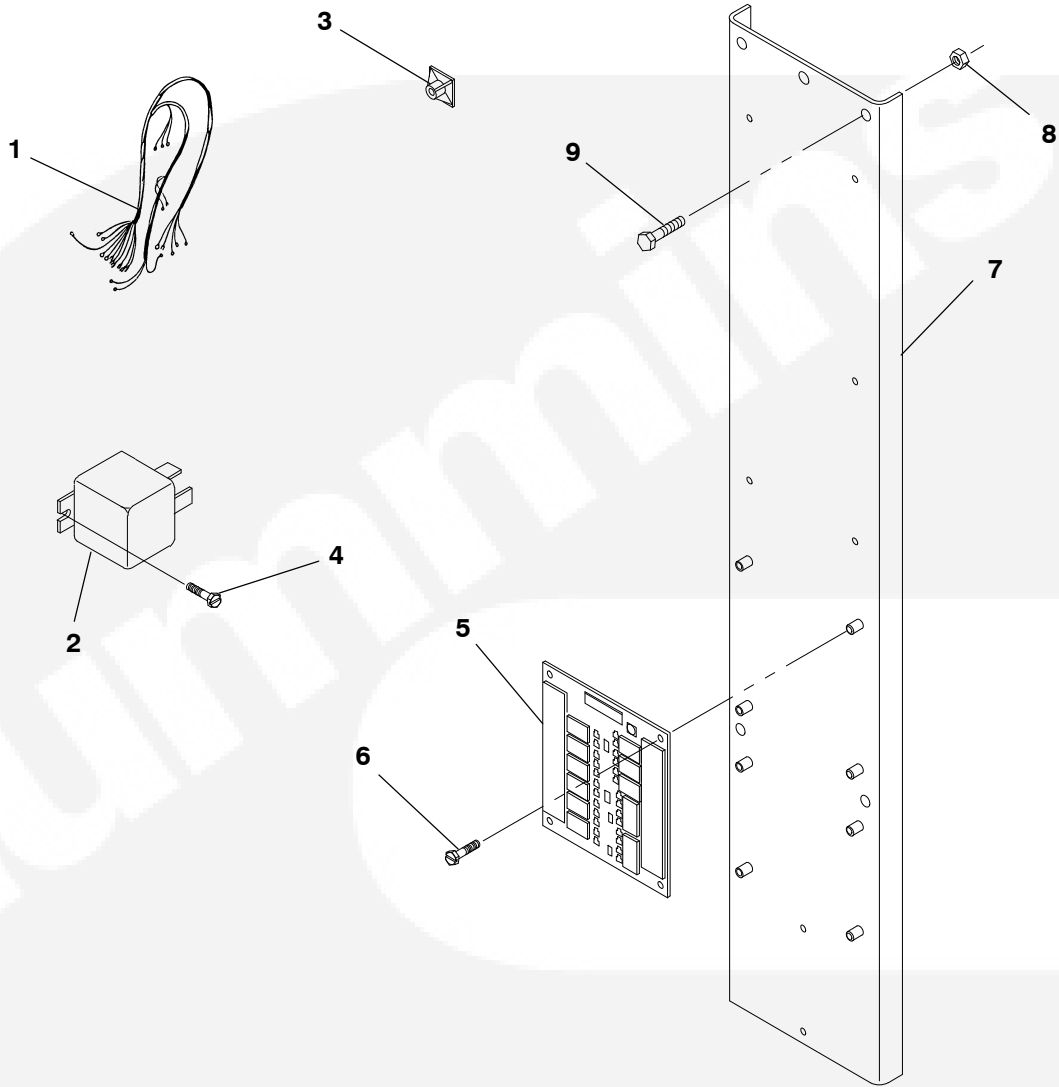
Auxiliary Relay



L201,202,203,204,101,102,103,104

REF NO.	PART NO.	QTY USED	PART DESCRIPTION	REF NO.	PART NO.	QTY USED	PART DESCRIPTION
1	332-2879-02	1	Rail, Terminal	3	332-2878	2	Bracket, End
2	307-2873	1	Relay, Control 12 VDC	4	815-0955-03	2	Screw, Phillips/Hex Head - GND (M4 x 10)
	307-2874	1	24 VDC				

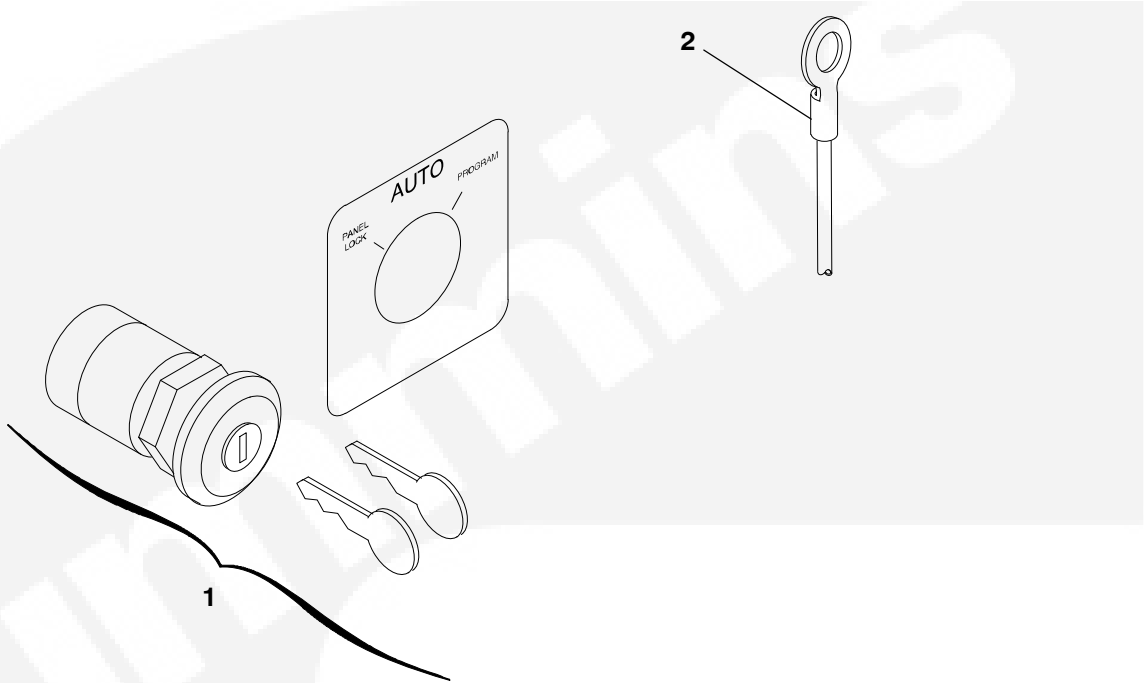
Load Shed



M007,R027

REF NO.	PART NO.	QTY USED	PART DESCRIPTION	REF NO.	PART NO.	QTY USED	PART DESCRIPTION
1	338-3876-01	1	Harness, Load Shed	6	815-0959-03	4	Screw, Pan Head (M3 x 8)
	338-3876-02	1	All Except 600 Volt	7	319-3943	1	Plate, Mounting
2	307-2929	1	Relay - 3PDT (12 VDC)	8	870-0212	4	Nut, Self-Locking (1/4-20)
3	332-2420	2	Mount, Cable Tie	9	800-0005	4	Screw, Cap - Hex Head (1/4-20 x .75)
4	815-0792-02	1	Screw, Pan Head (M4 x 8)				
5	300-5152	1	Board, Printed Circuit - Relay Module				

Front Panel Security



M017

REF NO.	PART NO.	QTY USED	PART DESCRIPTION	REF NO.	PART NO.	QTY USED	PART DESCRIPTION
1	308-1094	1	Switch, Selector	2			Lead
					226-4794-01	1	14" (Marked S20-2 - J27-5)
					226-4794-02	1	16" (Marked S20-2 - J27-11)





Numerical Index

<u>Part No.</u>	<u>Page</u>	<u>Part No.</u>	<u>Page</u>	<u>Part No.</u>	<u>Page</u>	<u>Part No.</u>	<u>Page</u>
226-3380,	9	305-0781,	27 , 29	306-4404-05,	9	306-4407-08,	9
226-3554-01,	15 , 17 , 19	306-0268,	11	306-4404-06,	9	306-4407-09,	9
226-3554-02,	15 , 17 , 19 , 27 , 29	306-0508,	11	306-4404-07,	9	306-4407-10,	9
226-4794-01,	35	306-1381,	12	306-4404-08,	9	306-4407-12,	9
226-4794-02,	35	306-1382,	12	306-4404-09,	9	306-4407-13,	9
226-4794-03,	31	306-1396,	11	306-4404-10,	9	306-4407-14,	9
226-4794-04,	31	306-1842,	11 , 12	306-4404-11,	9	306-4407-15,	9
300-2946,	25	306-2340,	9	306-4404-12,	9	306-4523,	15 , 17 , 19
300-3160,	27	306-2352,	11	306-4404-13,	9	307-2873,	23 , 33
300-3244,	29	306-3391,	13	306-4404-14,	9	307-2874,	33
300-5146,	15 , 17 , 19	306-3400-02,	9	306-4404-15,	9	307-2929,	20 , 21 , 34
300-5147-01,	15 , 17 , 19	306-3417,	11 , 13	306-4405-02,	9	307-2931,	21
300-5148-01,	15 , 17 , 19	306-3418,	9	306-4405-03,	9	308-0406,	20 , 21
300-5148-02,	15 , 17 , 19	306-3420,	13	306-4405-04,	9	308-1094,	35
300-5148-03,	15 , 17 , 19	306-3467,	15 , 17	306-4405-05,	9	309-0393,	13
300-5148-04,	15 , 17 , 19	306-3471-01,	11	306-4405-07,	9	312-0203,	11
300-5149-05,	15 , 17 , 19	306-3471-02,	11	306-4405-08,	9	312-0204,	11
300-5149-06,	15 , 17 , 19	306-3471-03,	11	306-4405-09,	9	312-0209,	11
300-5149-07,	15 , 17 , 19	306-3471-05,	11	306-4405-10,	9	315-0621-01,	25
300-5149-08,	15 , 17 , 19	306-3471-06,	11	306-4405-12,	9	315-0621-02,	25
300-5151,	15 , 17 , 19	306-3473,	9	306-4405-13,	9	315-0621-03,	25
300-5152,	34	306-3482,	11	306-4405-14,	9	315-0621-04,	25
300-5180,	15 , 17 , 19	306-3483,	9	306-4405-15,	9	315-0661,	15 , 17 , 19
300-5185,	15	306-3525,	17	306-4406-01,	9	315-0700,	27
300-5186,	15	306-3526-01,	17	306-4406-02,	9	315-0701,	29
300-5254,	31	306-3526-02,	17	306-4406-03,	9	315-0702,	27
300-5271,	15	306-3573,	11	306-4406-04,	9	315-0703,	29
300-5391,	17 , 19	306-3574,	9	306-4406-05,	9	315-0704,	27
300-5392,	17 , 19	306-3575,	11	306-4406-06,	9	315-0705,	29
300-5393,	17 , 19	306-3576,	11	306-4406-07,	9	315-0706,	27
301-6727,	19	306-3578,	11	306-4406-08,	9	315-0707,	29
301-9990,	25	306-3601,	11	306-4406-09,	9	315-0708,	27
301-9991,	25	306-3627,	11	306-4406-10,	9	315-0709,	29
302-0209,	31	306-3979,	15	306-4406-11,	9	315-0710,	27
302-0807,	25	306-4079-01,	11	306-4406-12,	9	315-0711,	29
302-1393,	31	306-4079-02,	11	306-4406-13,	9	315-0712,	27
302-1811,	31	306-4080-01,	11	306-4406-14,	9	315-0713,	29
302-1844,	27 , 29	306-4080-02,	11	306-4406-15,	9	319-0072,	27 , 29
304-0015,	25	306-4269,	9	306-4407-02,	9	319-0073,	27 , 29
304-0037,	25	306-4404-01,	9	306-4407-03,	9	319-3864-02,	15
304-0139,	25	306-4404-02,	9	306-4407-04,	9	319-3865-02,	15
305-0653,	27 , 29	306-4404-03,	9	306-4407-05,	9	319-3867-03,	17
		306-4404-04,	9	306-4407-07,	9	319-3867-04,	17

Numerical Index

<u>Part No.</u>	<u>Page</u>	<u>Part No.</u>	<u>Page</u>	<u>Part No.</u>	<u>Page</u>	<u>Part No.</u>	<u>Page</u>
319-3868-02,	17	323-1374-10,	24	338-3853-02,	15 , 17 , 19	815-0446,	11
319-3870-02,	19	323-1703,	23	338-3853-03,	15 , 17 , 19	815-0527,	11
319-3871-02,	19	323-1806-05,	31	338-3876-01,	34	815-0539,	27 , 29
319-3874-02,	15	327-1542,	30	338-3876-02,	34	815-0651,	9
319-3875-02,	15	332-2420,	23 , 24 , 31 , 34	338-3884-01,	31	815-0652,	9
319-3877-03,	17	332-2542,	11	338-3886,	30	815-0656,	11
319-3877-04,	17	332-2605,	9	364-0003,	27 , 29	815-0667,	11
319-3878-02,	17	332-2744-05,	11	406-0519,	19	815-0686,	13
319-3880-02,	19	332-2832,	9	406-0613,	17	815-0792-02,	20 , 21 , 34
319-3881-02,	19	332-2836-01,	30	406-0649,	17	815-0845,	25 , 27 , 29
319-3940-02,	20 , 21	332-2836-02,	24 , 32	406-0809,	15	815-0932,	12
319-3941-02,	20 , 21	332-2837-09,	24 , 30 , 32	406-0810,	15	815-0933,	12
319-3942-02,	20 , 21	332-2839,	24 , 30 , 32	406-0933,	15	815-0955-03,	20 , 21 , 23 , 24 , 30 , 33
319-3943,	23 , 24 , 31 , 34	332-2841,	24 , 30 , 32	406-0934,	15	815-0958-04,	21
319-4011-02,	22	332-2878,	23 , 33	416-1049,	30	815-0959-03,	15 , 17 , 19 , 30 , 31 , 34
320-0606,	11	332-2879-02,	33	508-0233,	17 , 19	815-0960-04,	20 , 21
320-0608,	11	332-2879-04,	23	508-1045,	15	821-0040,	25 , 27 , 29
320-0609,	11	332-2903,	11	508-1114,	15	850-0040,	9
321-0104,	27 , 29	332-3038,	11	517-0135,	15	851-0027,	11
321-0127,	27 , 29	332-3039,	11	517-0137,	15	851-0028,	9
321-0153,	25	332-3606,	23 , 31	517-0266,	17 , 19 , 22	853-0016,	11
321-0175,	25	332-3647,	15 , 17 , 19	526-0008,	9	853-2005,	15
321-0237,	27 , 29	337-2365,	11	526-0018,	9	862-0001,	11
321-0303-02,	27 , 29	337-2366,	11	526-0022,	19	862-0015,	11
321-0304-01,	27	337-2403,	11	526-0077,	11	862-0026-53,	25 , 27 , 29
321-0304-02,	27	337-2404,	11	800-0003,	9 , 15	870-0131,	9 , 17 , 19 , 25
321-0304-03,	27 , 29	337-2410-01,	11	800-0005,	23 , 24 , 31 , 34	870-0201,	13
321-0304-04,	27 , 29	337-2410-02,	11	800-0007,	11	870-0212,	15 , 17 , 19 , 23 , 24 , 31 , 34
321-0304-05,	27 , 29	337-2410-03,	11	800-0008,	9	870-0221,	27 , 29
321-0304-06,	29	337-2414,	11	800-0021,	9	870-0235,	12
323-1199,	22 , 23 , 25	338-2149,	25	800-0027,	9	870-0263,	27 , 29
323-1200,	22 , 23 , 25 , 27 , 29	338-2219,	22	800-0028,	11	870-0281,	9
323-1252,	22	338-2220,	22	800-0030,	11	870-0298,	12
323-1253,	22	338-2223,	27 , 29	800-2000,	15	870-0320,	9
323-1291,	25	338-2350,	24	809-0035,	27 , 29	870-2213-02,	30
323-1302,	24 , 27 , 29	338-3792,	11	812-0177,	19	870-2216,	15 , 17 , 19
323-1314,	22	338-3836,	23	813-0112,	25	895-0293-03,	17 , 19
323-1315,	22	338-3838-02,	15 , 17 , 19	813-0116,	25	895-0293-04,	17 , 19
323-1318,	25 , 27 , 29	338-3851-02,	15 , 17 , 19	815-0029,	9	895-0293-05,	17 , 19
323-1374-05,	27 , 29	338-3852-02,	15 , 17 , 19	815-0261,	11 , 15	895-0293-06,	17 , 19
		338-3852-03,	15 , 17 , 19	815-0290,	11		

Cummins Power Generation

1400 73rd Ave. NE
Minneapolis, MN 55432 USA

Phone 1 763 574 5000

Toll-free 1 800 888 6626

Fax 1 763 574 5298

Email ask.powergen@cummins.com

www.cumminspower.com

Cummins®, the “C” logo, and “Our energy working for you.”
are trademarks of Cummins Inc.

©2013 Cummins Power Generation, Inc. All rights reserved.

