



Parts Manual

Transfer Switch

40/70/125 Amps

OTPC 4 Pole (Spec A)

MODEL IDENTIFICATION

This catalog covers models produced under the Cummins®/Onan® and Cummins Power Generation brand names.

To avoid errors or delay in filling your parts order, always give the MODEL, SPEC NO. and SERIAL NO. from the Cummins Power Generation nameplate.

For handy reference, insert your nameplate information in the spaces below.

MODEL AND SPEC NO.

SERIAL NO.

DIGITAL CONTROL SOFTWARE VERSION
AND DATE (IF APPLICABLE)

SAFETY PRECAUTIONS

The following symbols are used in Cummins Power Generation manuals to alert users to the potentially dangerous conditions relating to maintenance of equipment and replacement of parts. Please read and observe.



This symbol warns of immediate hazards which will result in severe personal injury or death.



This symbol refers to a hazard or unsafe practice which can result in severe personal injury or death.



This symbol refers to a hazard or unsafe practice which can result in severe personal injury or product or property damage.

PRODUCT SAFETY PRECAUTIONS



Service and repair of Cummins Power Generation equipment must be performed by trained, experienced personnel only. Improper service or repair may result in property damage, severe personal injury or death. Do not use this catalog as a guide to servicing your equipment. Read and follow the IMPORTANT SAFETY INSTRUCTIONS in the Service Manual appropriate for the equipment you are working on.



Contact with USED ENGINE OILS has been identified by a United States federal agency and some USA state agencies as causing CANCER or REPRODUCTIVE TOXICITY. When checking or changing engine oils take all necessary precautions not to ingest, breathe the fumes or contact the used oil.



Contact with ASBESTOS has been identified by a United States federal agency and some USA state agencies as causing CANCER or REPRODUCTIVE TOXICITY. When handling engine gaskets take all necessary precautions not to ingest, breathe or contact the dust from the gaskets! Use adequate ventilation and wear protective gloves, masks and clothing!



Contact with BENZINE and LEAD, found in gasoline, fuel additives and solvents has been identified by a United States federal agency and some USA state agencies as causing CANCER or REPRODUCTIVE TOXICITY. When checking, draining or adding gasoline and fuel additives or using solvents take all necessary precautions not to ingest, breathe the fumes or contact the liquids. Use adequate ventilation and wear protective gloves, masks and protective clothing!

Introduction

This catalog applies to the Cummins Power Generation OTPC 40/70/125 Amp Transfer Switch. Each illustrated part is identified by a reference number corresponding to the same reference number in the parts list for that group. Parts illustrations are typical. Using the model and spec number from the switch box nameplate, select the parts that apply to your Transfer Switch. Unless otherwise noted in the parts description, parts are interchangeable between models.

Feature Options

Code	Description	Code	Description
A029	4-Pole Switch	L202	Auxiliary Relay – Emergency Position – 12 VDC
A035	Utility to Generator Set Applications	L203	Auxiliary Relay – Normal Position – 12 VDC
A036	Utility to Utility Applications	L204	Auxiliary Relay – Generator Start – 12 VDC
A037	Generator Set to Generator Set Applications	M003	Terminal Block – 30 Points
A041	One Phase – 2 or 3 wire	M007	Load Shed – From Emergency
A042	Three Phase – 3 or 4 wire	M017	Security – Front Panel
A044	Frequency – 60 Hz	M018	Display – Digital
A045	Frequency – 50 Hz	M020	Communications – Lonworks
A046	Listing – UL	M022	Monitoring – Load
A064	Listing – UL/NFPA-20	M023	Module – Relay Signal
B001	Cabinet – Type 1	N009	Bus Stubs Connection
B002	Cabinet – Type 3R	N013	Harness – Extension
B003	Cabinet – Type 4	R020	Voltage – 120
B004	Construction – Open	R021	Voltage – 208
B010	Cabinet – Type 12	R022	Voltage – 220
C023	Control – Level 1	R023	Voltage – 240
C024	Control – Level 2	R024	Voltage – 380
D009	Meters – Bar Graph Display	R025	Voltage – 416
K001	Battery Charger – 2 Amp, 12/24V	R026	Voltage – 480
K002	Battery Charger – 10 Amp, 12V	R027	Voltage – 600
K003	Battery Charger – 10 Amp, 24V	R035	Voltage – 440
L101	Auxiliary Relay – 24 VDC Coil	R038	Voltage – 190
L102	Auxiliary Relay – Emergency Position – 24 VDC	S046	Current Rating – 40 Amps
L103	Auxiliary Relay – Normal Position – 24 VDC	S047	Current Rating – 70 Amps
L104	Auxiliary Relay – Generator Start – 24 VDC	S048	Current Rating – 125 Amps
L201	Auxiliary Relay – 12 VDC Coil		

Intentionally Left Blank



Index

A

Actuator, Linear – Transfer Switch, **11**
Alarm, Battery Charger, **24**
Ammeter – DC – 10 Amp, 12 Volt Battery Charger, **27**
Ammeter – DC – 10 Amp, 24 Volt Battery Charger, **29**
Ammeter – DC – 2 Amp, 12/24 Volt Battery Charger, **25**
Arm, Interlock – Transfer Switch, **11**

B

Bar, Interlock – Transfer Switch, **11**
Barrier – Transfer Switch, **9**
Barrier, Base – Transfer Switch, **11**
Base, Mounting – Transfer Switch, **9**
Block and Contact Assembly – Transfer Switch, **11**
Block and Cross Bar Assembly – Transfer Switch, **11**
Block, Hinge – Type 1 Cabinet, **15**
Block, Lug Mounting – Transfer Switch, **11**
Block, Terminal, **32**
Block, Terminal – Battery Charger Alarm, **24**
Block, Terminal – Network Module, **30**
Block, Terminal – Transfer Switch, **9**
Board, Printed Circuit – 10 Amp, 12 Volt Battery Charger, **27**
Board, Printed Circuit – 10 Amp, 24 Volt Battery Charger, **29**
Board, Printed Circuit – 2 Amp, 12/24 Volt Battery Charger, **25**
Board, Printed Circuit – Bar Graph – Type 1 Cabinet, **15**
Board, Printed Circuit – Bar Graph – Type 3R and 12 Cabinet, **17**
Board, Printed Circuit – Bar Graph – Type 4 Cabinet, **19**
Board, Printed Circuit – Current Transformer Module, **31**
Board, Printed Circuit – Digital – Type 1 Cabinet, **15**
Board, Printed Circuit – Digital – Type 3R and 12 Cabinet, **17**
Board, Printed Circuit – Digital – Type 4 Cabinet, **19**
Board, Printed Circuit – Network Module, **30**

Board, Printed Circuit – Power Module – Type 1 Cabinet, **15**
Board, Printed Circuit – Power Module – Type 3R and 12 Cabinet, **17**
Board, Printed Circuit – Power Module – Type 4 Cabinet, **19**
Board, Printed Circuit – Relay Module, **34**
Bracket, Connector – Accessory Control Plate (600 Volt), **21**
Bracket, Connector – Accessory Control Plate (Less than 600 Volt), **20**
Bracket, Door – Type 4 Cabinet, **19**
Bracket, End – Auxiliary Relay, **33**
Bracket, End – Terminal – Battery Charger Alarm, **24**
Bracket, End – Terminal – Network Module, **30**
Bracket, Terminal – Transfer Switch, **9**
Breaker, Circuit – Transfer Switch, **11**
Bus, Emergency – Transfer Switch, **11**
Bus, Load – Transfer Switch, **11**
Bus, Normal – Transfer Switch, **11**

C

Cabinet – Type 1, **15**
Cabinet – Type 12, **17**
Cabinet – Type 3R, **17**
Cabinet – Type 4, **19**
Capacitor – Transfer Switch, **11**
Charger, Battery – 10 Amp, 12 Volt, **27**
Charger, Battery – 10 Amp, 24 Volt, **29**
Charger, Battery – 2 Amp, 12/24 Volt, **25**
Chute, Arc – Transfer Switch, **11**
Cover, Arc Chute – Transfer Switch, **11**
Cover, Charger – 10 Amp, 12 Volt Battery Charger, **27**
Cover, Charger – 10 Amp, 24 Volt Battery Charger, **29**
Cover, Charger – 2 Amp, 12/24 Volt Battery Charger, **25**
Cover, Labeled – Transfer Switch, **9**
Cover, Printed Circuit Board – Type 1 Cabinet, **15**
Cover, Printed Circuit Board – Type 3R and 12 Cabinet, **17**
Cover, Printed Circuit Board – Type 4 Cabinet, **19**
Cover, Relay Plate – Accessory Control Plate (600 Volt), **21**

Index

Cover, Relay Plate – Accessory Control Plate (Less than 600 Volt), **20**

D

Door, Cabinet – Type 1, **15**

Door, Cabinet – Type 3R and 12 Cabinet, **17**

Door, Cabinet – Type 4 Cabinet, **19**

F

Fuse – 10 Amp, 12 Volt Battery Charger, **27**

Fuse – 10 Amp, 24 Volt Battery Charger, **29**

Fuse – 2 Amp, 12/24 Volt Battery Charger, **25**

G

Gasket, Door – Type 3R and 12 Cabinet, **17**

Gasket, Door – Type 4 Cabinet, **19**

H

Handle Assembly, Actuator, **12**

Handle, Door – Type 3R and 12 Cabinet, **17**

Handle, Locking – Type 1 Cabinet, **15**

Harness, Wiring – 10 Amp, 12 Volt Battery Charger, **27**

Harness, Wiring – 10 Amp, 24 Volt Battery Charger, **29**

Harness, Wiring – 2 Amp, 12/24 Volt Battery Charger, **25**

Harness, Wiring – Battery Charger, **23**

Harness, Wiring – Battery Charger Alarm, **24**

Harness, Wiring – Control – Open Construction, **22**

Harness, Wiring – Current Transformer Module, **31**

Harness, Wiring – Load Shed, **34**

Harness, Wiring – Main – Type 1 Cabinet, **15**

Harness, Wiring – Main – Type 3R and 12 Cabinet, **17**

Harness, Wiring – Main – Type 4 Cabinet, **19**

Harness, Wiring – Network Module, **30**

Holder, Fuse – 10 Amp, 12 Volt Battery Charger, **27**

Holder, Fuse – 10 Amp, 24 Volt Battery Charger, **29**

Holder, Fuse – 2 Amp, 12/24 Volt Battery Charger, **25**

I

Insulator, Arc Chute – Transfer Switch, **11**

L

Latch, Cam – Type 1 Cabinet, **15**

Latch, Cam – Type 3R and 12 Cabinet, **17**

Lead – Type 1 Cabinet, **15**

Lead – Type 3R and 12 Cabinet, **17**

Lead – Type 4 Cabinet, **19**

Load Shed, **34**

Lug, Solderless – Transfer Switch, **11**

Lug, Solderless – Type 1 Cabinet, **15**

Lug, Solderless – Type 3R and 12 Cabinet, **17**

Lug, Solderless – Type 4 Cabinet, **19**

M

Membrane, Panel – Type 1 Cabinet, **15**

Membrane, Panel – Type 3R and 12 Cabinet, **17**

Membrane, Panel – Type 4 Cabinet, **19**

Module, Current Transformer, **31**

Module, Digital Display – Type 1 Cabinet, **15**

Module, Digital Display – Type 3R and 12 Cabinet, **17**

Module, Digital Display – Type 4 Cabinet, **19**

Module, Network, **30**

P

Plate, Accessory Control (600 Volt), **21**

Plate, Accessory Control (Less than 600 Volt), **20**

Plate, End – Terminal – Battery Charger Alarm, **24**

Plate, End – Terminal – Network Module, **30**

Plate, Handle Mounting – Transfer Switch, **11**

Plate, Mounting – Battery Charger Alarm, **24**

Plate, Mounting – Current Transformer Module, **31**

Plate, Mounting – Load Shed, **34**

Plate, Open Construction, **22**

Plate, Relay – Accessory Control Plate (600 Volt), **21**

Plate, Relay – Accessory Control Plate (Less than 600 Volt), **20**

R

Rail, Terminal – Auxiliary Relay, **33**

Index

Rail, Terminal Block – Battery Charger Alarm, **24**
Rail, Terminal Block – Network Module, **30**
Rectifier, Bridge – 10 Amp, 12 Volt Battery Charger, **27**
Rectifier, Bridge – 10 Amp, 24 Volt Battery Charger, **29**
Rectifier, Gate – 10 Amp, 12 Volt Battery Charger, **27**
Rectifier, Gate – 10 Amp, 24 Volt Battery Charger, **29**
Relay – Accessory Control Plate (600 Volt), **21**
Relay – Accessory Control Plate (Less than 600 Volt), **20**
Relay – Load Shed, **34**
Relay, Auxiliary, **33**
Relay, Control – Accessory Control Plate (600 Volt), **21**
Relay, Control – Auxiliary Relay, **33**
Resistor, Fixed – 2 Amp, 12/24 Volt Battery Charger, **25**

Rod, Actuator – Transfer Switch, **9**
Rod, Roller – Type 3R and 12 Cabinet, **17**
Rod-End, Actuator – Transfer Switch, **9**

S

Spacer, Actuator – Transfer Switch, **9**
Spacer, Mounting Block – Transfer Switch, **11**
Spring, Conical – Type 4 Cabinet, **19**
Strap, Jumper – Transfer Switch, **11**
Strap, Load – Transfer Switch, **11**

Strip, Marker – Transfer Switch, **11**
Support, Channel – Transfer Switch, **11**
Switch Assembly, Auxiliary, **13**
Switch, Selector – Security, **35**
Switch, Toggle – Accessory Control Plate (600 Volt), **21**
Switch, Toggle – Accessory Control Plate (Less than 600 Volt), **20**

T

Transfer Switch Assembly, **9**
Transformer – 10 Amp, 12 Volt Battery Charger, **27**
Transformer – 10 Amp, 24 Volt Battery Charger, **29**
Transformer – 2 Amp, 12/24 Volt Battery Charger, **25**
Transformer, Current, **31**
Transformer, Power – Type 1 Cabinet, **15**
Transformer, Power – Type 3R and 12 Cabinet, **17**
Transformer, Power – Type 4 Cabinet, **19**

W

Wrapper, Charger – 2 Amp, 12/24 Volt Battery Charger, **25**
Wrapper, Charger – 10 Amp, 12 Volt Battery Charger, **27**
Wrapper, Charger – 10 Amp, 24 Volt Battery Charger, **29**



Abbreviations

Some of the following abbreviations may be used throughout this Parts Catalog:

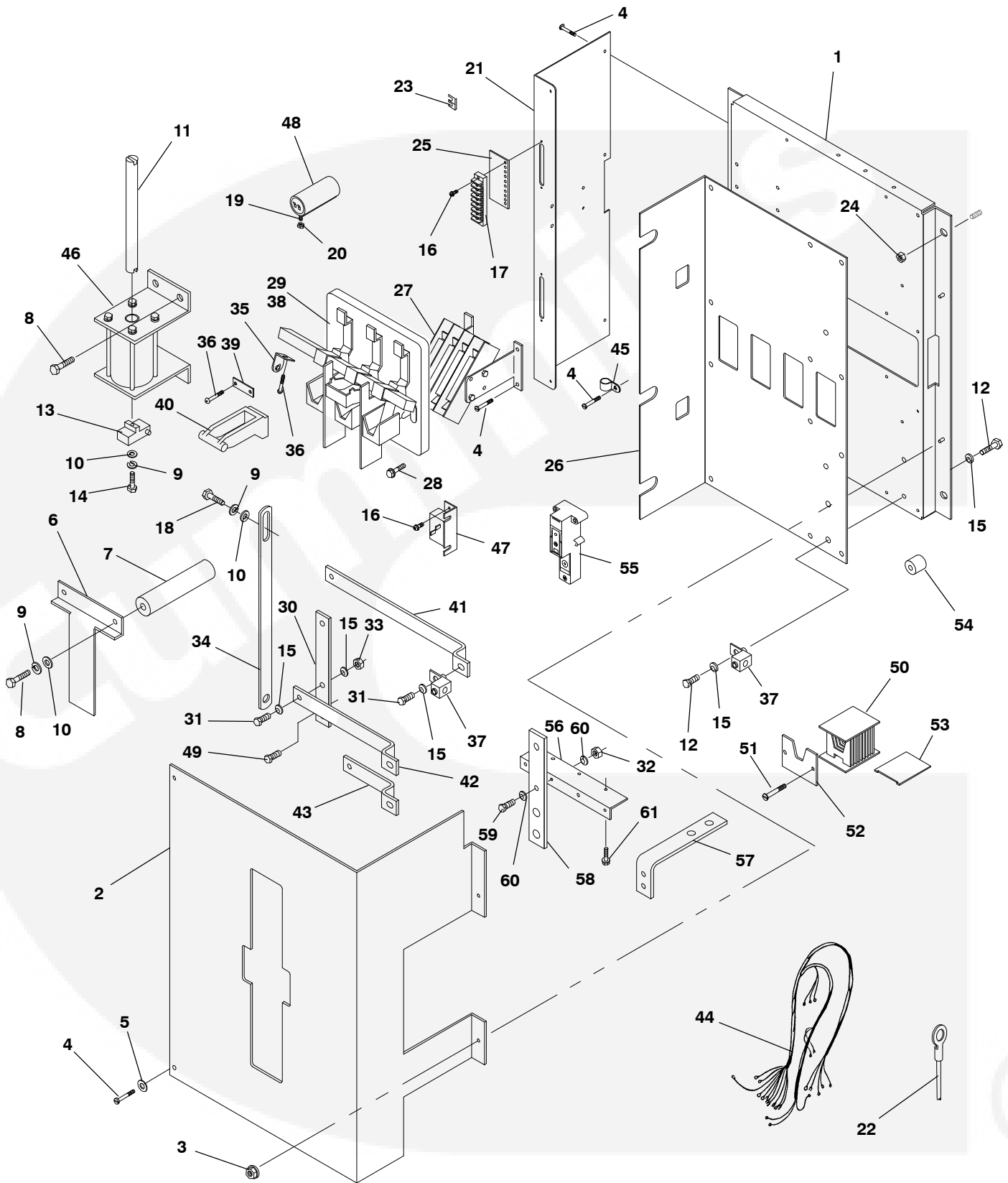
AC	Alternating Current	MCM	Metric Circular Mills
Amp	Ampere	mm	Millimeter
A/R	As Required	MOH	Mobile Off Highway
AVR	Automatic Voltage Regulator	NFS	Not For Sale
AWG	American Wire Gauge	NPT	National Pipe Thread
CSA	Canadian Standard Association	OD	Outside Diameter
DC	Direct Current	oz.	Ounce
Deg.	Degree	PCB	Printed Circuit Board
EFC	Electronic Fuel Control	Ph	Phase
EIT	External/Internal Tooth	PMG	Permanent Magnet Generator
EPROM	Erasable Programmable Read Only Memory	PT/CT	Potential Transformer/ Current Transformer
ET	External Tooth	RFI	Radio Frequency Interference
GFI	Ground Fault Interrupter	RT	Right
ID	Inside Diameter	Spec	Specification
IEC	International Electrotechnical Commission	Thk	Thick
IT	Internal Tooth	UL	Underwriters Laboratories Inc.
kW	Kilowatt	UNC	Union National Coarse
LPG	Liquid Petroleum Gas	UNF	Union National Fine
LT	Left	VAC	Volts Alternating Current
M(meter number)	Meter	VDC	Volts Direct Current
		W/(ET, IT, EIT)	With



Intentionally Left Blank



Transfer Switch

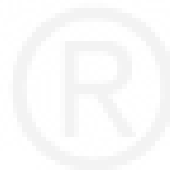


Transfer Switch

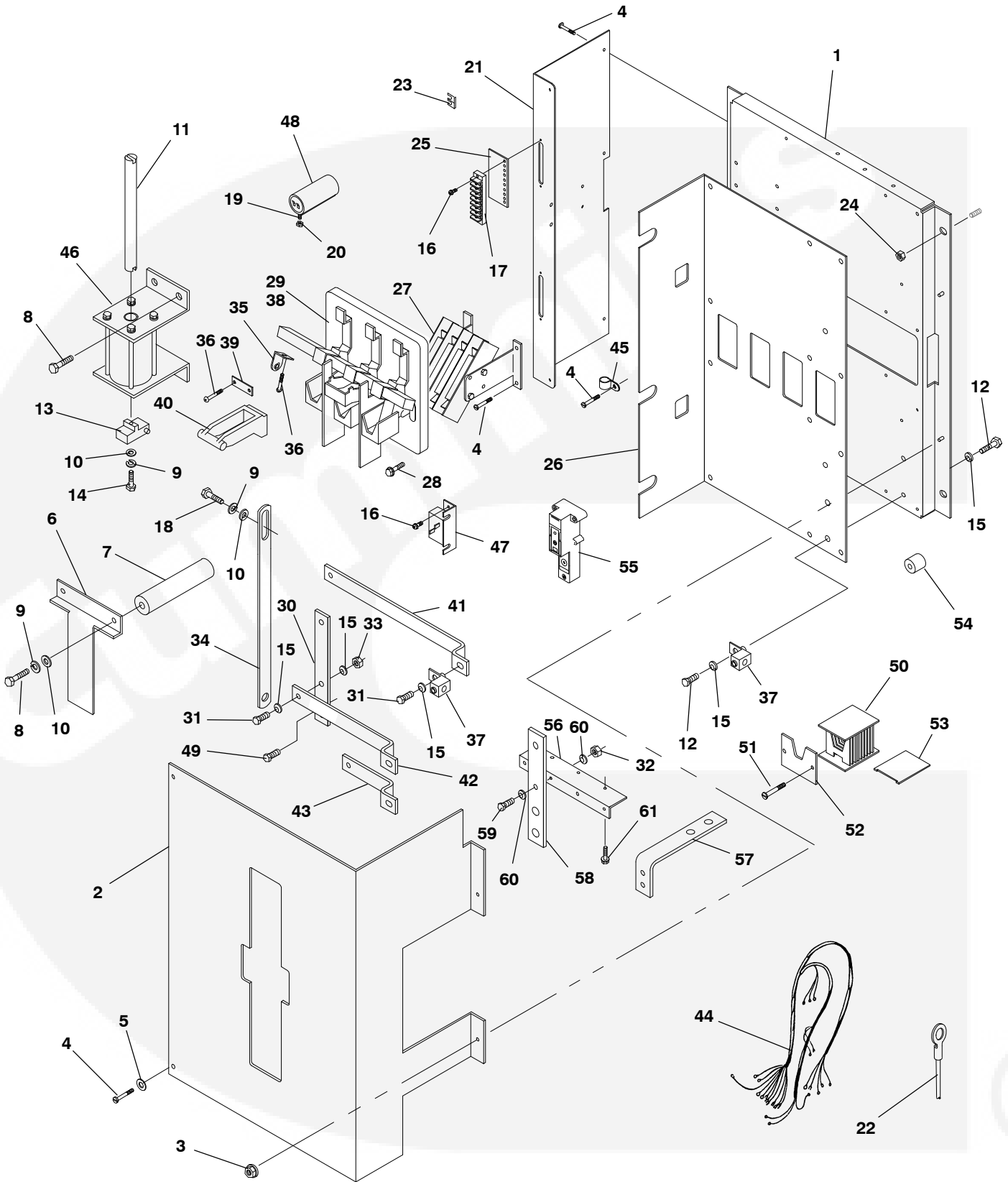
REF NO.	PART NO.	QTY USED	PART DESCRIPTION	REF NO.	PART NO.	QTY USED	PART DESCRIPTION
			Transfer Switch Assembly	1	306-3574	1	Base, Mounting
			4-Pole, Front Connect with	2	306-4269	1	Cover, Labeled
			Mechanical Lugs	3	870-0320	2	Nut, Self-Locking (#10-32)
			40 Amp	4	815-0652	14	Screw, Hex Head - Slotted - W/IT (#10-32 x .50)
306-5327-01	1		120 VAC				Washer, Flat (#10)
306-5327-02	1		190 VAC	5	526-0008	2	Barrier
306-5327-03	1		208/220/240/600* VAC	6	306-2340	2	Spacer, Actuator
306-5327-04	1		380/416 VAC	7	306-3483	4	Screw, Cap - Hex Head (1/4-20 x 4.50)
306-5327-05	1		440/480 VAC	8	800-0021	4	Washer, Lock (1/4)
			70 Amp				Rod, Actuator
306-5328-01	1		120 VAC	9	850-0040	8	Screw, Cap - Hex Head (5/16-18 x .88)
306-5328-02	1		190 VAC	10	526-0018	8	4-Pole, Front Connect
306-5328-03	1		208/220/240/600* VAC	11	306-3473	1	4-Pole, Rear Connect
306-5328-04	1		380/416 VAC	12			Rod-End, Actuator
306-5328-05	1		440/480 VAC				Screw, Cap - Hex Head (1/4-20 x 1.25)
			125 Amp				Washer, Spring - Conical (5/16)
306-5321-01	1		120 VAC		800-0027	16	4-Pole, Front Connect
306-5321-02	1		190 VAC		800-0027	14	4-Pole, Rear Connect
306-5321-03	1		208/220/240/600* VAC	13	306-3400-02	2	Screw, Cap - Hex Head (1/4-20 x 1.25)
306-5321-04	1		380/416 VAC	14	800-0008	2	Washer, Spring - Conical (5/16)
306-5321-05	1		440/480 VAC	15			4-Pole, Front Connect
			4-Pole, Rear Connect with		851-0028	22	4-Pole, Rear Connect
			Bus Stubs		851-0028	16	Screw, Round Head - Cross Recessed (#6-32 x .75)
			40 Amp	16	815-0651	6	Block, Terminal
306-5334-01	1		120 VAC				Screw, Hex Head (1/4-20 x .50)
306-5334-02	1		190 VAC	17	332-2832	2	Screw, Flat Head - Cross Recessed (#10-32 x .50)
306-5334-03	1		208/220/240/600* VAC	18	800-0003	2	Nut, Hex - W/ET (#10-32)
306-5334-04	1		380/416 VAC	19	815-0029	4	Bracket, Terminal
306-5334-05	1		440/480 VAC				Lead (380/416/440/480 VAC)
			70 Amp				Jumper, Terminal
306-5335-01	1		120 VAC	20	870-0131	4	Nut, Lock (3/8-16)
306-5335-02	1		190 VAC	21	306-3418	1	
306-5335-03	1		208/220/240/600* VAC	22	226-3380	1	
306-5335-04	1		380/416 VAC	23	332-2605	1	
306-5335-05	1		440/480 VAC	24	870-0281	4	
			125 Amp				
306-5336-01	1		120 VAC				
306-5336-02	1		190 VAC				
306-5336-03	1		208/220/240/600* VAC				
306-5336-04	1		380/416 VAC				
306-5336-05	1		440/480 VAC				

* Switch is actually 208 volts - A large transformer in the system reduces the 600 volt system voltage down to 208 volts.

Continued...



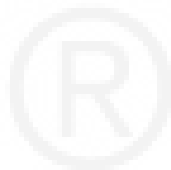
Transfer Switch



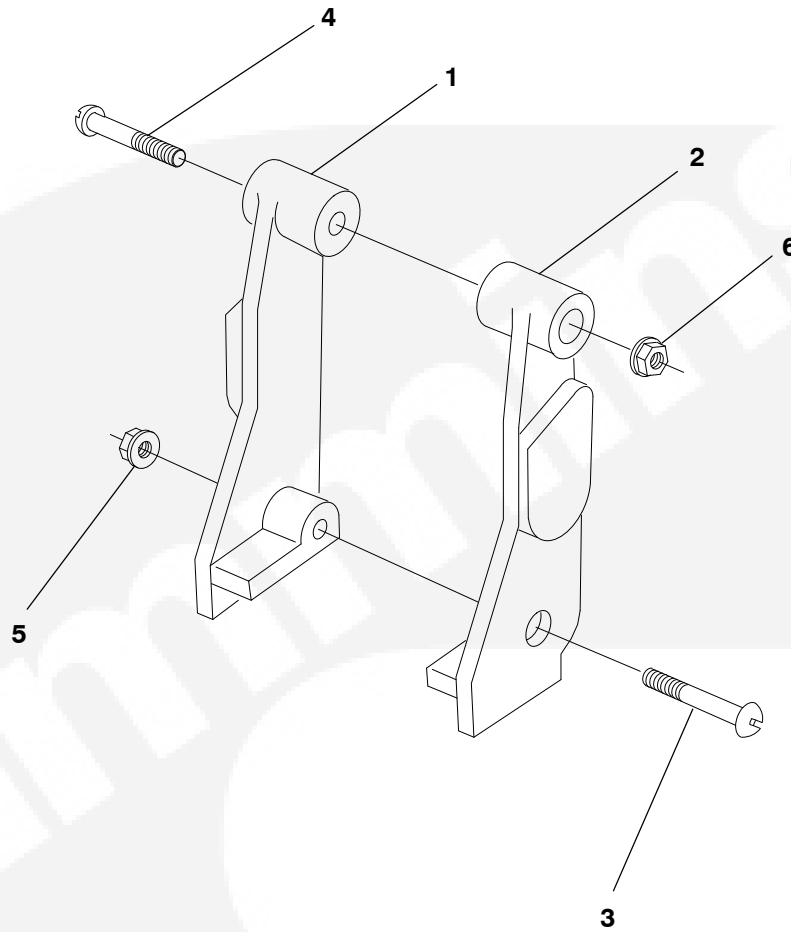
Transfer Switch

REF NO.	PART NO.	QTY USED	PART DESCRIPTION	REF NO.	PART NO.	QTY USED	PART DESCRIPTION
Continued...				47			Breaker, Circuit
					320-0609	1	120 VAC
25	332-2903	2	Strip, Marker		320-0608	1	190/208/220/240/600* VAC
26	306-3575	1	Barrier, Base		320-0606	1	380/416/440/480 VAC
27	306-3417	2	Switch Assembly, Auxiliary (See Separate Page For Components)	48			Capacitor
					312-0209	1	120 VAC
					312-0204	1	190/208/220/240/600* VAC
28			Screw, Self-Locking – Hex Head – Thread Forming – W/IT (1/4-20 x 1.25)	49			380/416/440/480 VAC
	815-0667	1	4-Pole, Front Connect		800-0028	1	Screw, Cap – Hex Head (5/16-18 x 1.00)
	815-0667	6	4-Pole, Rear Connect		800-0028	2	4-Pole, Front Connect
29	306-4080-02	1	Block and Cross Bar Assembly – Emergency – 4-Pole	50	306-0268	2	4-Pole, Rear Connect
30			Strap, Jumper	51	815-0527	4	Chute, Arc – 4-Pole
	337-2365	4	4-Pole, Front Connect				Screw, Pan Head – Thread Cutting (#10-32 x .50) – 4-Pole
	337-2414	3	4-Pole, Rear Connect	52	306-3576	2	Cover, Arc Chute – 4-Pole
31	800-0030	3	Screw, Cap – Hex Head (5/16 x 1.25) – 4-Pole, Front Connect	53	306-2352	2	Insulator, Arc Chute – 4-Pole
				54	306-3627	2	Spacer, Mounting Block – 4-Pole
32	862-0001	16	Nut, Hex (1/4-20) – 4-Pole, Rear Connect	55	306-3578	2	Block and Contact Assembly – 4-Pole
33	862-0015	2	Nut, Hex (5/16-18) – 4-Pole, Front Connect	56	306-3601	2	Support, Channel – Rear Connect
34	306-3482	1	Bar, Interlock	57	337-2403	4	Bus, Load – 4-Pole, Rear Connect
35	306-0508	2	Arm, Interlock	58	337-2404	8	Bus, Normal and Emergency – 4-Pole, Rear Connect
36	815-0446	8	Screw, Cross-Recessed – Round Head – W/IT (#8-32 x .50)	59	800-0007	16	Screw, Cap – Hex Head (1/4-20 x 1.00) – 4-Pole, Rear Connect
37			Lug, Solderless	60	851-0027	8	Washer, Spring – Conical (1/4) – 4-Pole, Rear Connect
	332-3038	12	70/125 Amp – Front Connect	61	815-0261	8	Screw, Hex Washer Head – Thread Forming (1/4-20) – 4-Pole, Rear Connect
	332-3514	12	40 Amp – Front Connect Note: Must Also Order Bus Bar Riser 337-4011 For Each Lug (12 Per Switch)				Block, Lug Mounting – Front Connect (Not Illustrated)
38	306-4080-01	1	Block and Cross Bar Assembly – Normal				Screw, Machine – Round Head (1/4-20 x 2.75) (Not Illustrated)
39	306-1396	2	Plate, Handle Mounting – 4-Pole		306-3573	1	4-Pole, Front Connect
40	306-1842	2	Handle, Actuator (See Separate Page For Components)				4-Pole, Rear Connect
41	337-2410-01	1	Strap, Load – Front Connect		815-0656	6	Screw, Thread Forming (1/4-20 x .62) – 4-Pole, Front Connect (Not Illustrated)
42	337-2410-02	1	Strap, Load – Front Connect		815-0656	4	
43	337-2410-03	1	Strap, Load – Front Connect		815-0290	4	
44	338-3792	1	Harness, Wiring				
45	332-2542	1	Clamp, Cable				
46			Actuator, Linear				
	306-3471-01	1	120 VAC				
	306-3471-02	1	190 VAC				
	306-3471-03	1	208/220/240/600* VAC				
	306-3471-05	1	380/416 VAC				
	306-3471-06	1	440/480 VAC				

* Switch is actually 208 volts – A large transformer in the system reduces the 600 volt system voltage down to 208 volts.

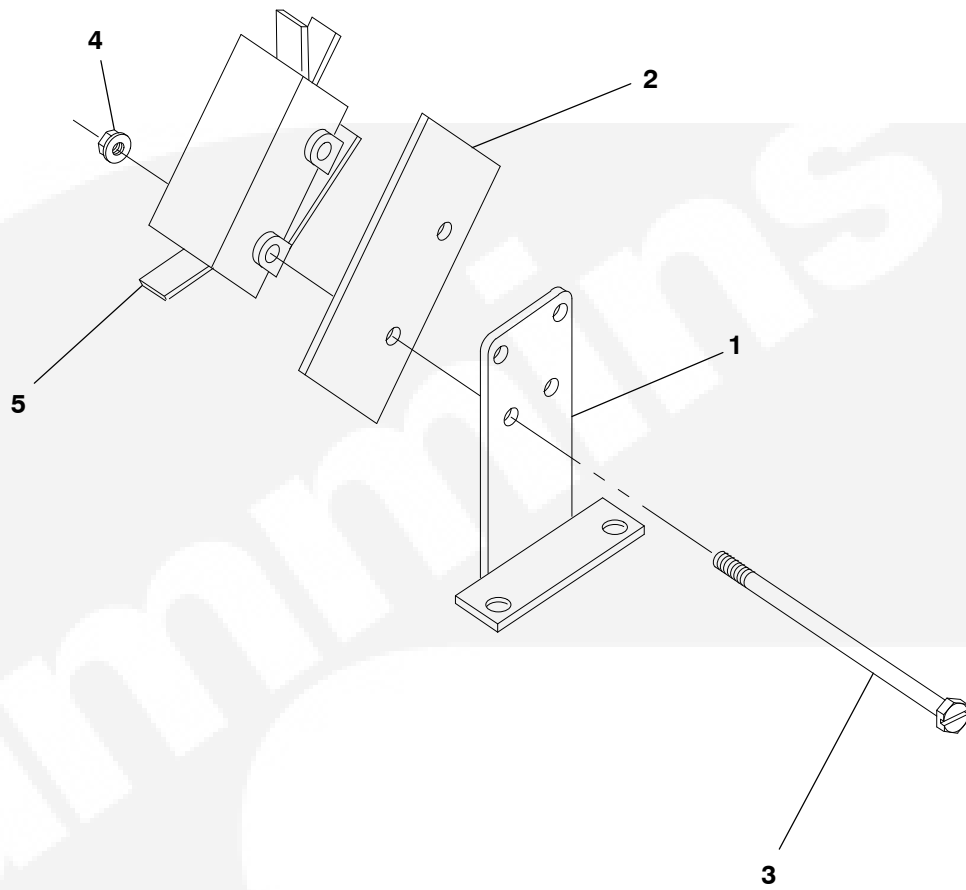


Actuator Handle Assembly



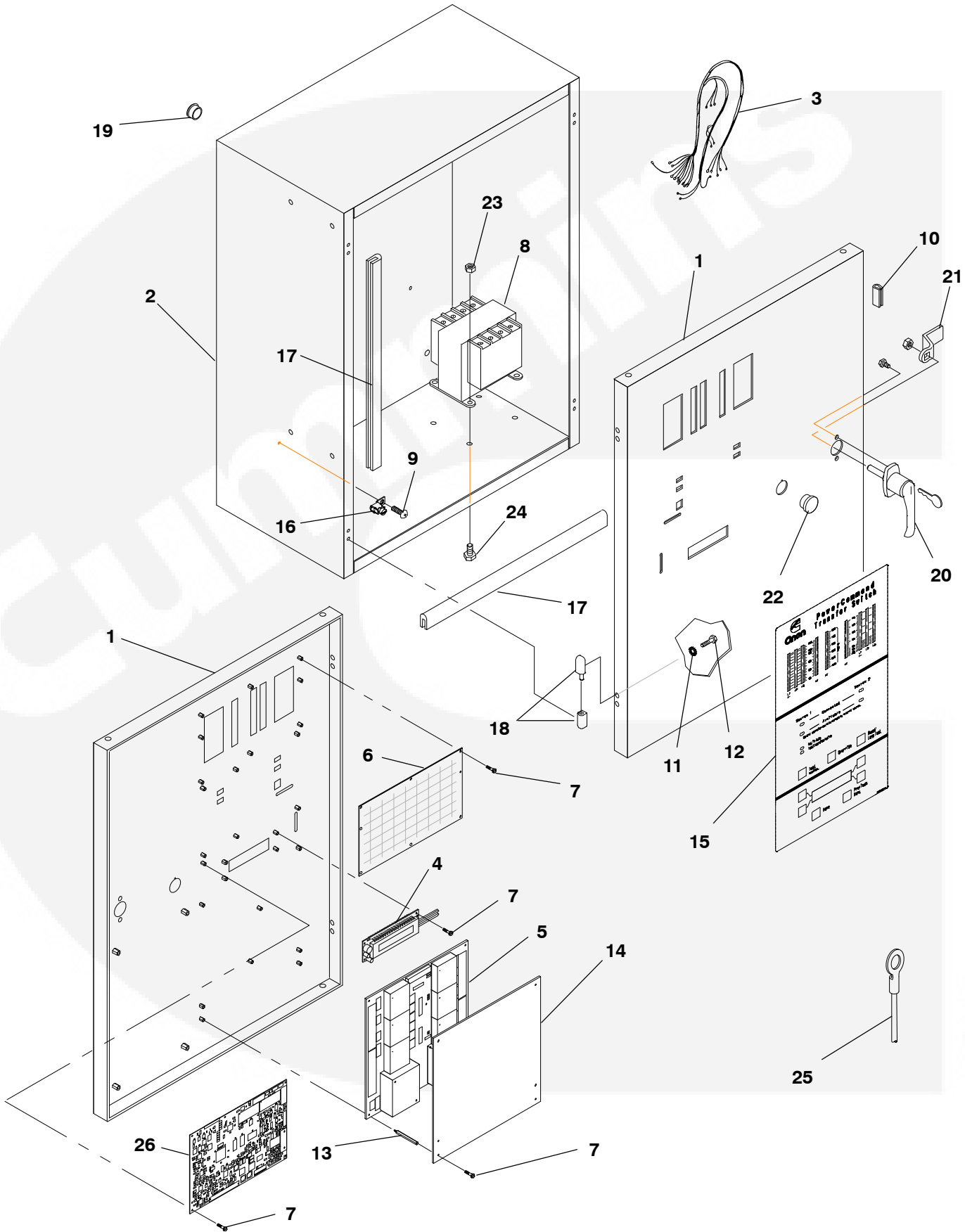
REF NO.	PART NO.	QTY USED	PART DESCRIPTION	REF NO.	PART NO.	QTY USED	PART DESCRIPTION
	306-1842	2	Handle Assembly, Actuator	4	815-0933	1	Screw, Machine – Round Head – Cross Recessed (#10-32 x 1-3/4)
1	306-1382	1	Handle, Switch – Left Hand	5	870-0235	1	Nut, Self-Locking (#8-32)
2	306-1381	1	Handle, Switch – Right Hand	6	870-0298	1	Nut, Self-Locking (#10-32)
3	815-0932	1	Screw, Machine – Round Head – Cross Recessed (#8-32 x 2-1/4)				

Auxiliary Switch Assembly



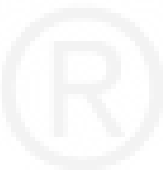
REF NO.	PART NO.	QTY USED	PART DESCRIPTION	REF NO.	PART NO.	QTY USED	PART DESCRIPTION
	306-3417	2	Switch Assembly, Auxiliary	4	870-0201	2	Nut, Lock (#6-32)
1	306-3420	2	Bracket, Switch - Auxiliary	5	309-0393	4	Switch, Snap-Action
2	306-3391	5	Barrier, Switch				
3	815-0686	2	Screw, Cap - Hex Head (#6-32 x 3-1/4)				

Cabinet Type 1

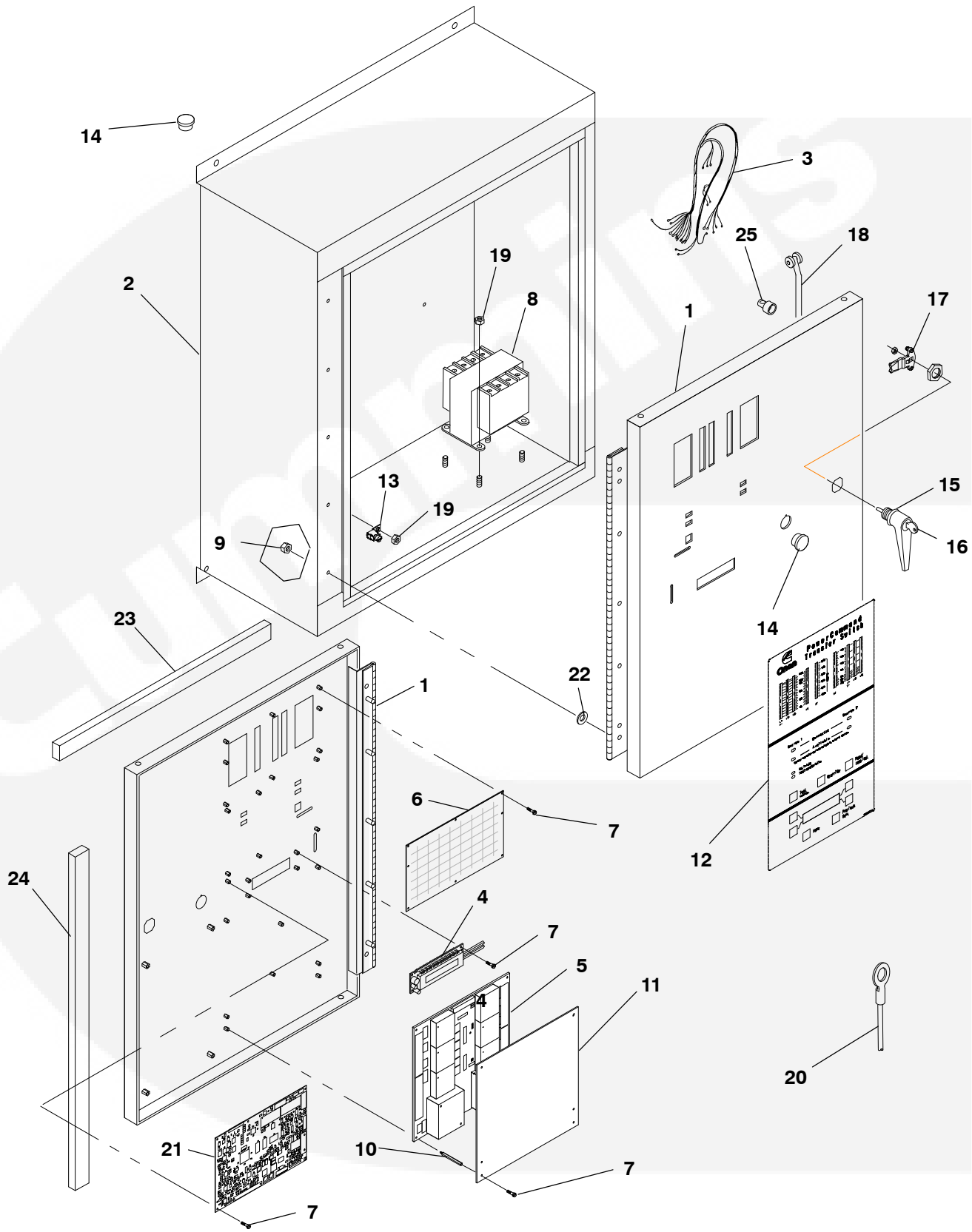


Cabinet Type 1

REF NO.	PART NO.	QTY USED	PART DESCRIPTION	REF NO.	PART NO.	QTY USED	PART DESCRIPTION
1	319-3865-02	1	Door, Cabinet – 40/70/125 Amp	10	508-1114	3	Edge, Protection
2	319-3864-02	1	Cabinet – 40/70/125 Amp	11	853-2005	8	Washer, Lock – W/ET (M5) – 40/70/125 Amp
3			Harness, Main				
			Level 1 Control	12	800-2000	8	Screw, Cap – Hex Head (M5 x 8) – 40/70/125 Amp
	338-3838-02	1	All Except 600 VAC				Standoff, Male Snap
	338-3851-02	1	600 VAC	13	870-2216	4	Cover, Printed Circuit Board
			Level 2 Control	14	306-4523	1	Membrane, Panel
	338-3852-02	1	All Except 600 VAC	15			Level 1 Control
	338-3853-02	1	600 VAC				Without Digital Display
			Generator to Generator Applications		300-5185	1	With Digital Display
					300-5186	1	Level 2 Control
	338-3852-03	1	All Except 600 VAC				Without Meters–Bar Graph Display
	338-3853-03	1	600 VAC		300-5186	1	With Meters–Bar Graph Display
4	300-5151	1	Module, Digital Display				Lug, Solderless (1/4")
5			Board, Printed Circuit – Power Module		300-5271	1	Edge, Protection
			Level 1 Control	16	332-3647	1	Block, Hinge – 40/70/125 Amp
							Plug, Hole
	300-5148-01	1	120 VAC	17	508-1045	2	Handle, Locking (Includes Hardware and 2 Keys)
	300-5148-02	1	208/220/240/440/480 VAC	18	406-0810	2	Latch, Cam – 40/70/125 Amp
	300-5148-03	1	600 VAC	19	517-0135	4	Plug, Hole
	300-5148-04	1	190/380/416 VAC	20	406-0809	1	Nut, Self-Locking (1/4–20)
			Level 2 Control				Screw, Cap – Hex Head (1/4–20 x .50)
							Lead (Quantity Used as Required)
	300-5149-05	1	120 VAC	21	406-0933	1	6.0"
	300-5149-06	1	208/220/240/440/480 VAC	22	517-0137	1	3.0"
				23	870-0212	4	Board, Printed Circuit – Digital
				24	800-0003	4	Level 1 Control
							Level 2 Control
	300-5149-07	1	600 VAC	25			
	300-5149-08	1	190/380/416 VAC				
6	300-5180	1	Board, Printed Circuit – Bar Graph		226-3554-01	1	
					226-3554-02	1	
7	815-0959-03	26	Screw, Pan Head (M3 x 8)				
8	315-0661	1	Transformer, Power (600 VAC Only)	26		1	
					300-5146	1	
9	815-0261	1	Screw, Hex Washer Head – Thread Forming (1/4–20 x .50)		300-5147-01	1	

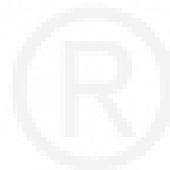


Cabinet Type 3R and 12

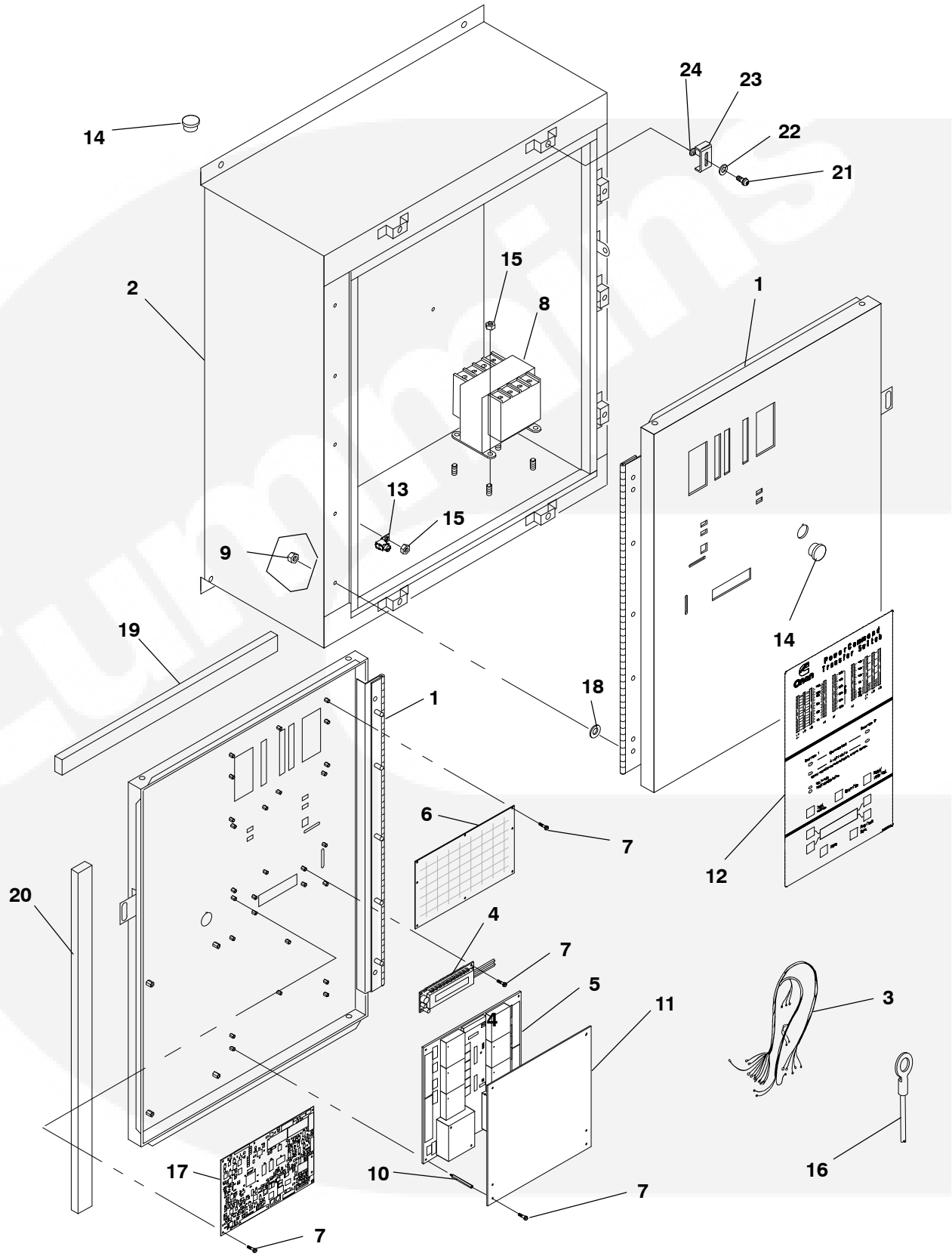


Cabinet Type 3R and 12

REF NO.	PART NO.	QTY USED	PART DESCRIPTION	REF NO.	PART NO.	QTY USED	PART DESCRIPTION
1	319-3868-02	1	Door, Cabinet – 40/70/125 Amp	7	815-0959-03	26	Screw, Pan Head (M3 x 8)
2			Cabinet	8	315-0661	1	Transformer, Power (600 VAC Only)
	319-3867-03	1	Type 3R Cabinet – 40/70/125 Amp	9	870-0131	6	Nut, Hex – W/ET (10–32)
	319-3867-04	1	Type 12 Cabinet 40/70/125 Amp	10	870-2216	4	Standoff, Male Snap
3			Harness, Main	11	306-4523	1	Cover, Printed Circuit Board Membrane, Panel
			Level 1 Control	12			Level 1 Control
	338-3838-02	1	All Except 600 VAC		300-5391	1	Without Digital Display
	338-3851-02	1	600 VAC		300-5392	1	With Digital Display
			Level 2 Control				Level 2 Control
	338-3852-02	1	All Except 600 VAC		300-5392	1	Without Meters–Bar Graph Display
	338-3853-02	1	600 VAC		300-5393	1	With Meters–Bar Graph Display
			Generator to Generator Applications				
	338-3852-03	1	All Except 600 VAC	13	332-3647	1	Lug, Solderless (1/4")
	338-3853-03	1	600 VAC	14	517-0266	5	Plug, Hole
4	300-5151	1	Module, Digital Display	15	406-0613	1	Handle, Door (Includes Key)
5			Board, Printed Circuit – Power Module	16	406-0649	1	Key, Replacement
			Level 1 Control	17	306-3525	1	Latch, Cam (3 Point)
	300-5148-01	1	120 VAC	18	306-3526-01	2	Rod, Roller – 40/70/125 Amp
	300-5148-02	1	208/220/240/440/480 VAC	19	870-0212	5	Nut, Self-Locking (1/4–20)
				20			Lead (Quantity Used as Required)
	300-5148-03	1	600 VAC		226-3554-01	1	6.0"
	300-5148-04	1	190/380/416 VAC		226-3554-02	1	3.0"
			Level 2 Control	21		1	Board, Printed Circuit – Digital
	300-5149-05	1	120 VAC		300-5146	1	Level 1 Control
	300-5149-06	1	208/220/240/440/480 VAC		300-5147-01	1	Level 2 Control
				22	508-0233	6	Washer, Rubber
	300-5149-07	1	600 VAC	23	895-0293-03	2	Gasket, Door – 40/70/125 Amp
	300-5149-08	1	190/380/416 VAC	24	895-0293-04	2	Gasket, Door – 40/70/125 Amp
6	300-5180	1	Board, Printed Circuit – Bar Graph	25	306-3467	2	Guide, Rod



Cabinet Type 4

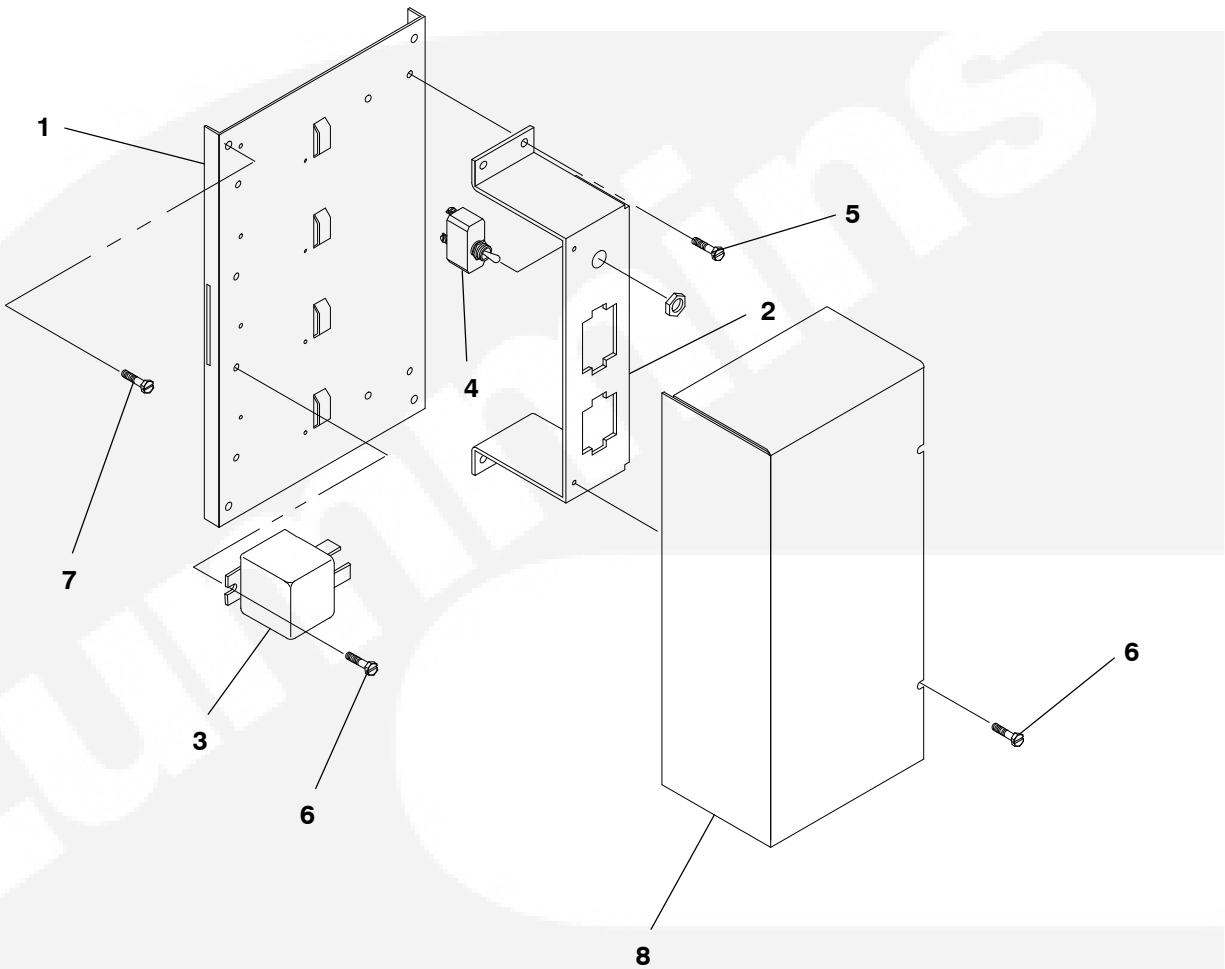


Cabinet Type 4

REF NO.	PART NO.	QTY USED	PART DESCRIPTION	REF NO.	PART NO.	QTY USED	PART DESCRIPTION
1	319-3871-02	1	Door, Cabinet – 40/70/125 Amp	9	870-0131	6	Nut, Hex – W/ET (#10-32)
2	319-3870-02	1	Cabinet – 40/70/125 Amp	10	870-2216	4	Standoff, Male Snap
3			Harness, Main	11	306-4523	1	Cover, Printed Circuit Board
			Level 1 Control	12			Membrane, Panel
	338-3838-02	1	All Except 600 VAC				Level 1 Control
	338-3851-02	1	600 VAC		300-5391	1	Without Digital Display
			Level 2 Control		300-5392	1	With Digital Display
	338-3852-02	1	All Except 600 VAC				Level 2 Control
	338-3853-02	1	600 VAC		300-5392	1	Without Meters–Bar Graph
			Generator to Generator Applications				Display
					300-5393	1	With Meters–Bar Graph
	338-3852-03	1	All Except 600 VAC				Display
	338-3853-03	1	600 VAC	13	332-3647	1	Lug, Solderless (1/4")
4	300-5151	1	Module, Digital Display	14	517-0266	5	Plug, Hole
5			Board, Printed Circuit – Power	15	870-0212	5	Nut, Self-Locking (1/4-20)
			Module	16			Lead (Quantity Used as
			Level 1 Control				Required)
	300-5148-01	1	120 VAC		226-3554-01	1	6.0"
	300-5148-02	1	208/220/240/440/480		226-3554-02	1	3.0"
			VAC	17		1	Board, Printed Circuit – Digital
	300-5148-03	1	600 VAC		300-5146	1	Level 1 Control
	300-5148-04	1	190/380/416 VAC		300-5147-01	1	Level 2 Control
			Level 2 Control	18	508-0233	6	Washer, Rubber
	300-5149-05	1	120 VAC	19	895-0293-03	2	Gasket, Door – 40/70/125 Amp
	300-5149-06	1	208/220/240/440/480	20	895-0293-04	2	Gasket, Door – 40/70/125 Amp
			VAC	21	812-0177	7	Screw, Round Head (5/16-18 x
	300-5149-07	1	600 VAC				.75)
	300-5149-08	1	190/380/416 VAC	22	526-0022	7	Washer, Flat (5/16)
6	300-5180	1	Board, Printed Circuit – Bar	23	301-6727	7	Bracket, Door
			Graph	24	406-0519	7	Spring, Conical
7	815-0959-03	26	Screw, Pan Head (M3 x 8)				
8	315-0661	1	Transformer, Power (600 VAC Only)				

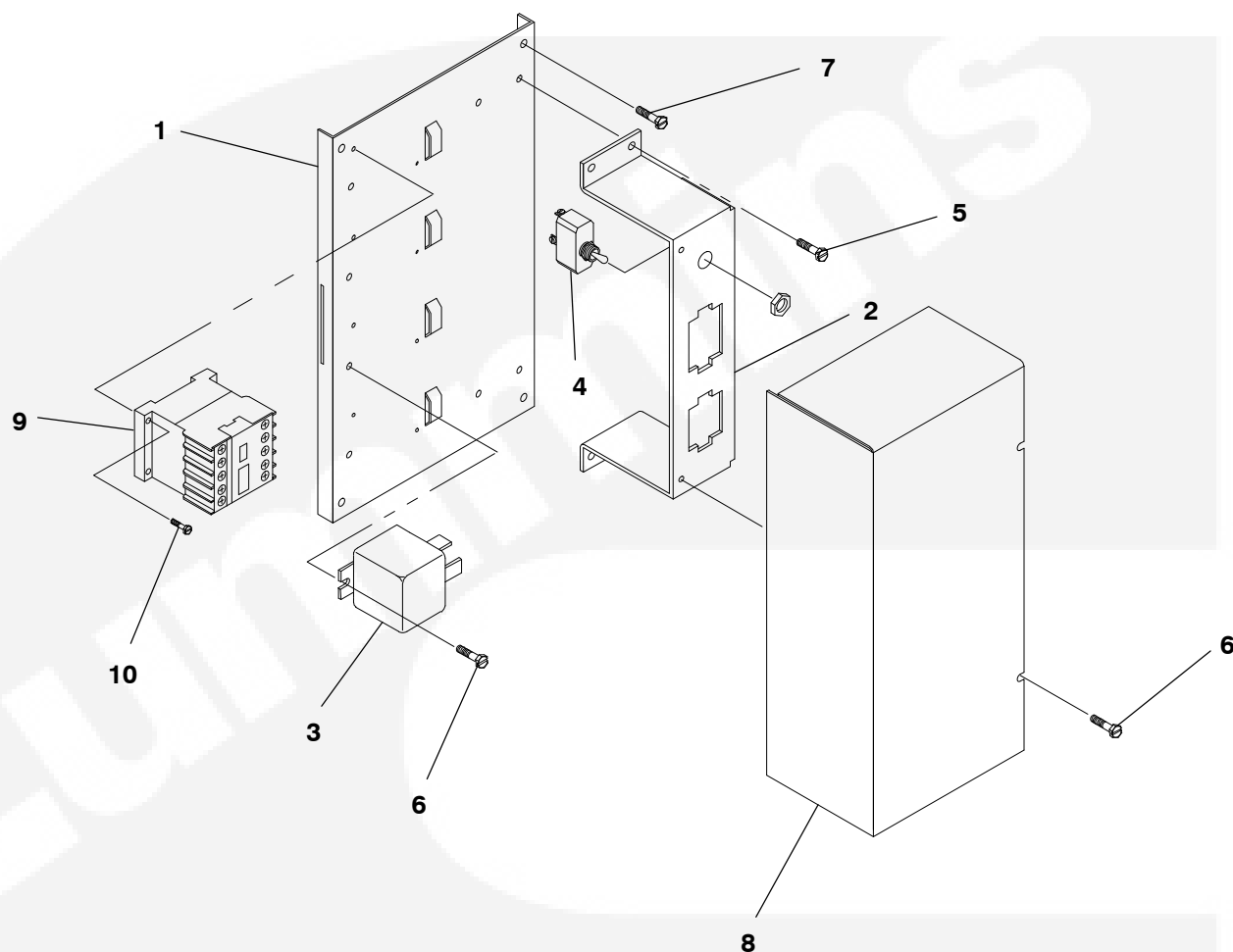


Accessory Control Plate (Less than 600 Volt)



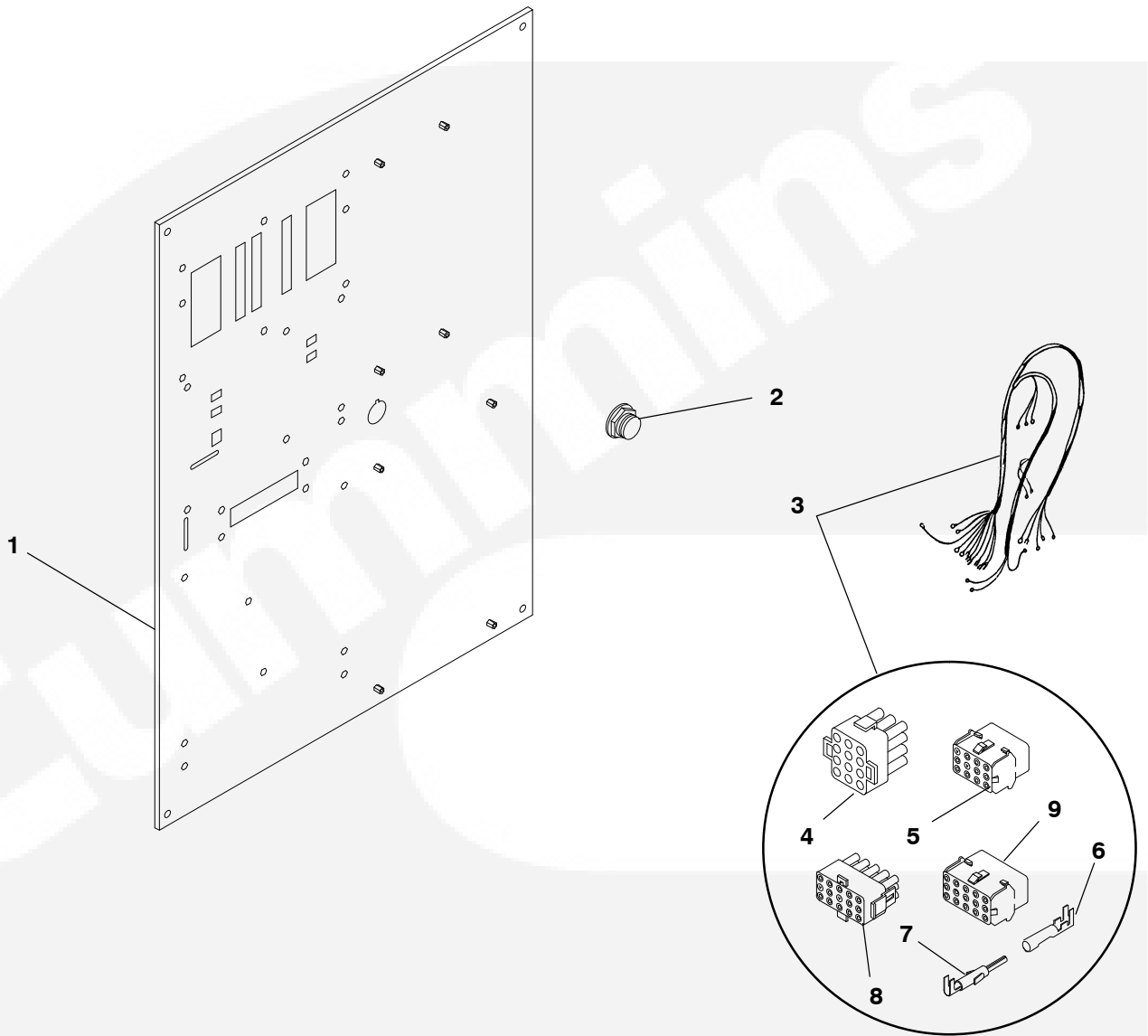
REF NO.	PART NO.	QTY USED	PART DESCRIPTION	REF NO.	PART NO.	QTY USED	PART DESCRIPTION
1	319-3940-02	1	Plate, Relay	6	815-0792-02	5	Screw, Pan Head – Crossed Recessed (M4 x 8)
2	319-3941-02	1	Bracket, Connector	7	815-0960-04	4	Screw, Pan Head – Crossed Recessed (M4 x 12)
3	307-2929	3	Relay – 3PDT	8	319-3942-02	1	Cover, Relay Plate
4	308-0406	1	Switch, Toggle				
5	815-0955-03	4	Screw, Phillips/Hex Head – GND (M4 x 10)				

Accessory Control Plate (600 Volt)



REF NO.	PART NO.	QTY USED	PART DESCRIPTION	REF NO.	PART NO.	QTY USED	PART DESCRIPTION
1	319-3940-02	1	Plate, Relay	7	815-0960-04	4	Screw, Pan Head – Crossed Recessed (M4 x 12)
2	319-3941-02	1	Bracket, Connector	8	319-3942-02	1	Cover, Relay Plate
3	307-2929	1	Relay – 3PDT	9	307-2931	2	Relay, Control
4	308-0406	1	Switch, Toggle	10	815-0958-04	4	Screw, Pan Head – Cross Recessed (M3 x 12)
5	815-0955-03	4	Screw, Phillips/Hex Head – GND (M4 x 10)				
6	815-0792-02	3	Screw, Pan Head – Crossed Recessed (M4 x 8)				

Plate and Wiring Harness (Open Construction)

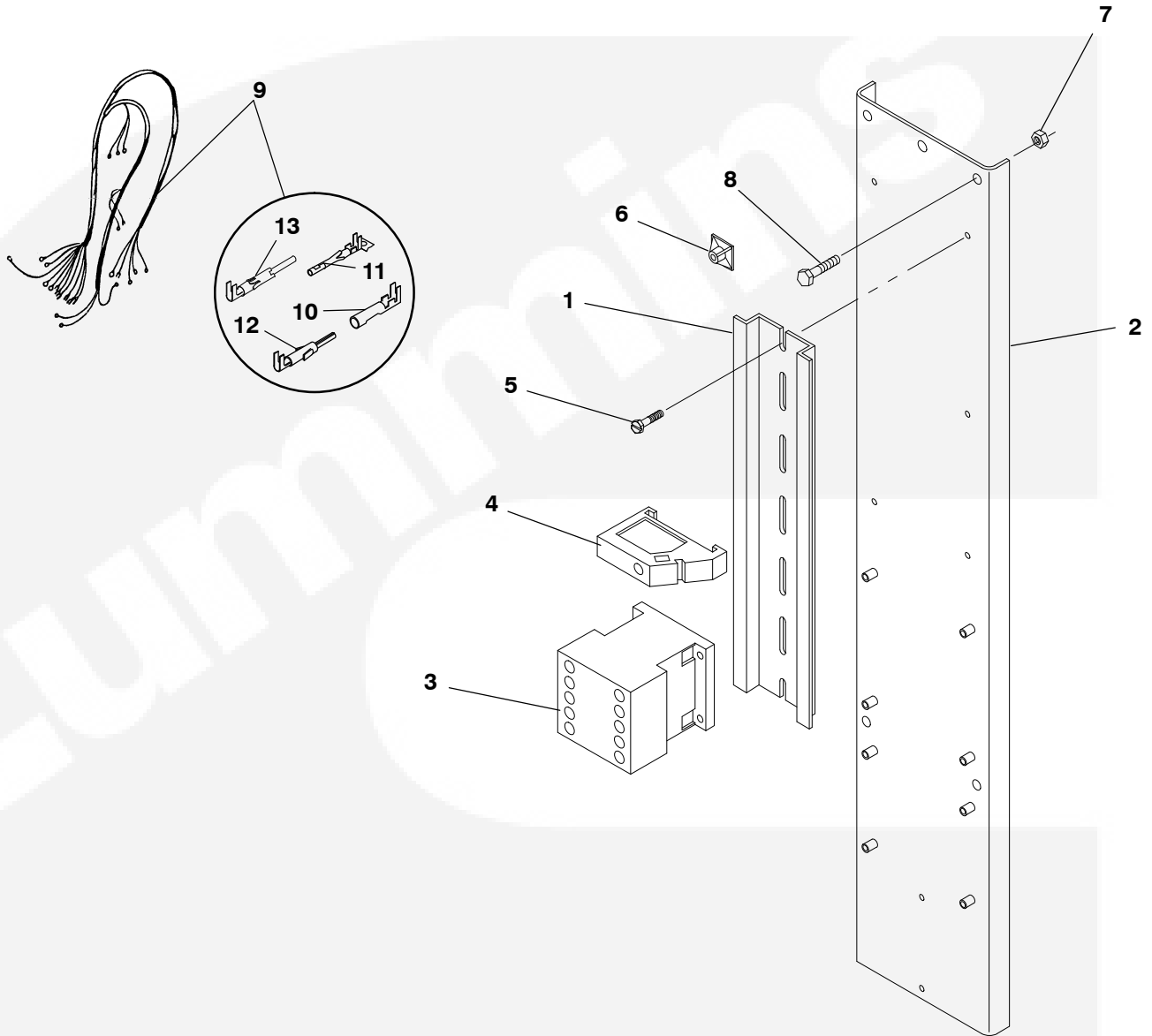


REF NO.	PART NO.	QTY USED	PART DESCRIPTION
1	319-4011-02	1	Plate, Open Construction
2	517-0266	1	Plug, Hole
3	338-2219	1	Harness, Control (Optional) With 12 Pin Connector (Includes Parts Marked *)
	338-2220	1	With 15 Pin Connector (Includes Parts Marked #)
4	323-1314	1	* Plug, Connector (12 Pin) (P2)
5	323-1315	1	* Cap, Connector (12 Pin) (J2)

REF NO.	PART NO.	QTY USED	PART DESCRIPTION
6			*# Socket, Contact
	323-1200	12	338-2219 Wiring Harness
	323-1200	15	338-2220 Wiring Harness
7			*# Pin, Contact
	323-1199	12	338-2219 Wiring Harness
	323-1199	15	338-2220 Wiring Harness
8	323-1252	1	# Plug, Connector (15 Pin) (P1)
9	323-1253	1	# Cap, Connector (15 Pin) (J1)

* - Parts Included in 338-2219 Wiring Harness
- Parts Included in 338-2220 Wiring Harness

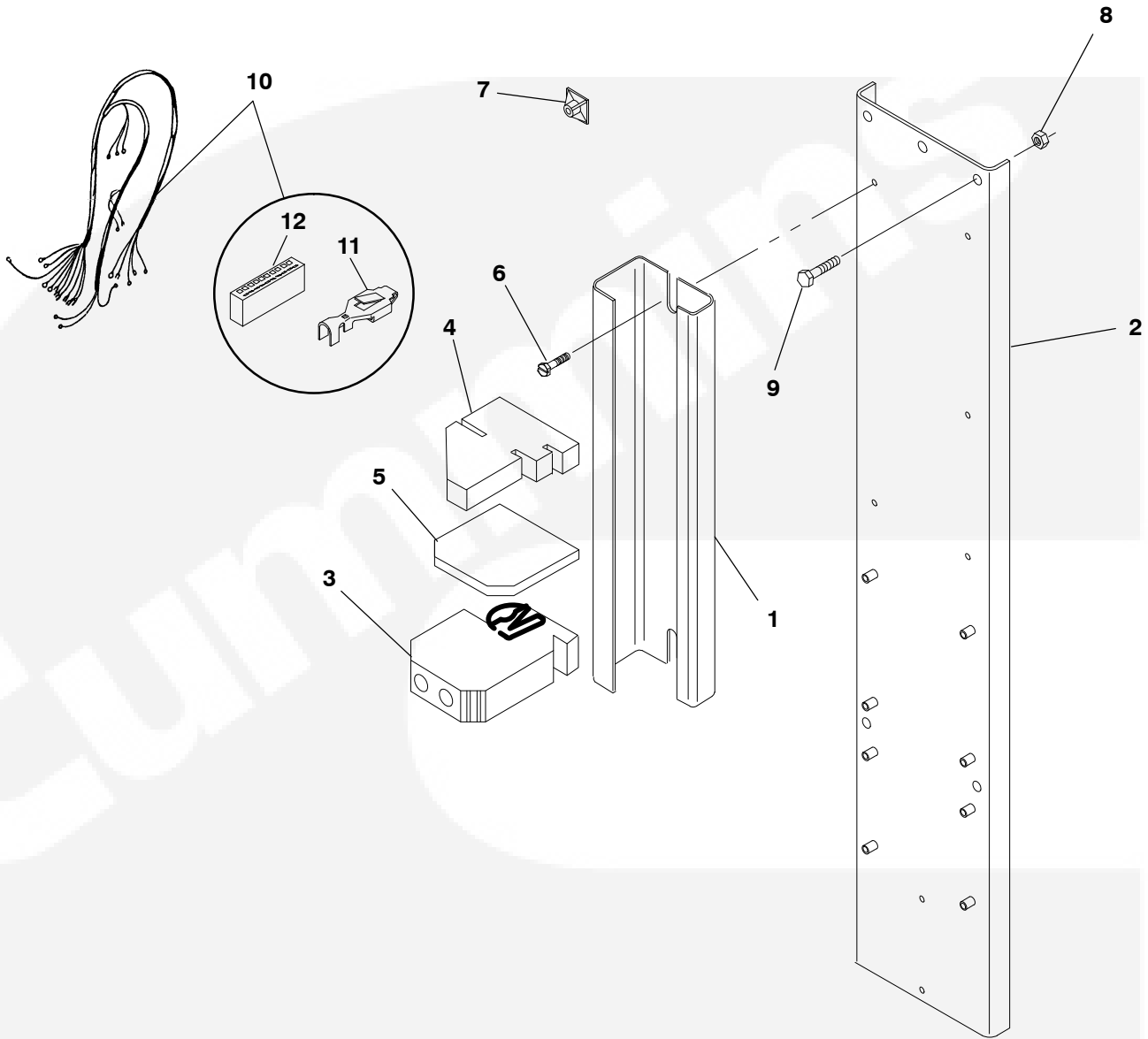
Wiring Harness Battery Charger (Generator Set to Generator Set)



REF NO.	PART NO.	QTY USED	PART DESCRIPTION	REF NO.	PART NO.	QTY USED	PART DESCRIPTION
1	332-2879-04	1	Rail, Terminal	9	338-3836	1	Harness, Battery Charger (Includes Parts Marked *)
2	319-3943	1	Plate, Mounting	10	323-1200	2	* Socket, Contact
3	307-2873	1	Relay, Control (12 VDC)	11	332-3606	1	* Socket, Contact
4	332-2878	2	Bracket, End	12	323-1199	2	* Pin, Contact
5	815-0955-03	2	Screw, Phillips/Hex Head - GND (M4 x 10)	13	323-1703	2	* Pin, Contact
6	332-2420	2	Mount, Cable Tie				
7	870-0212	4	Nut, Self-Locking (1/4-20)				
8	800-0005	4	Screw, Cap - Hex Head (1/4-20 x .75)				

* - Parts Included in 338-3836 Wiring Harness

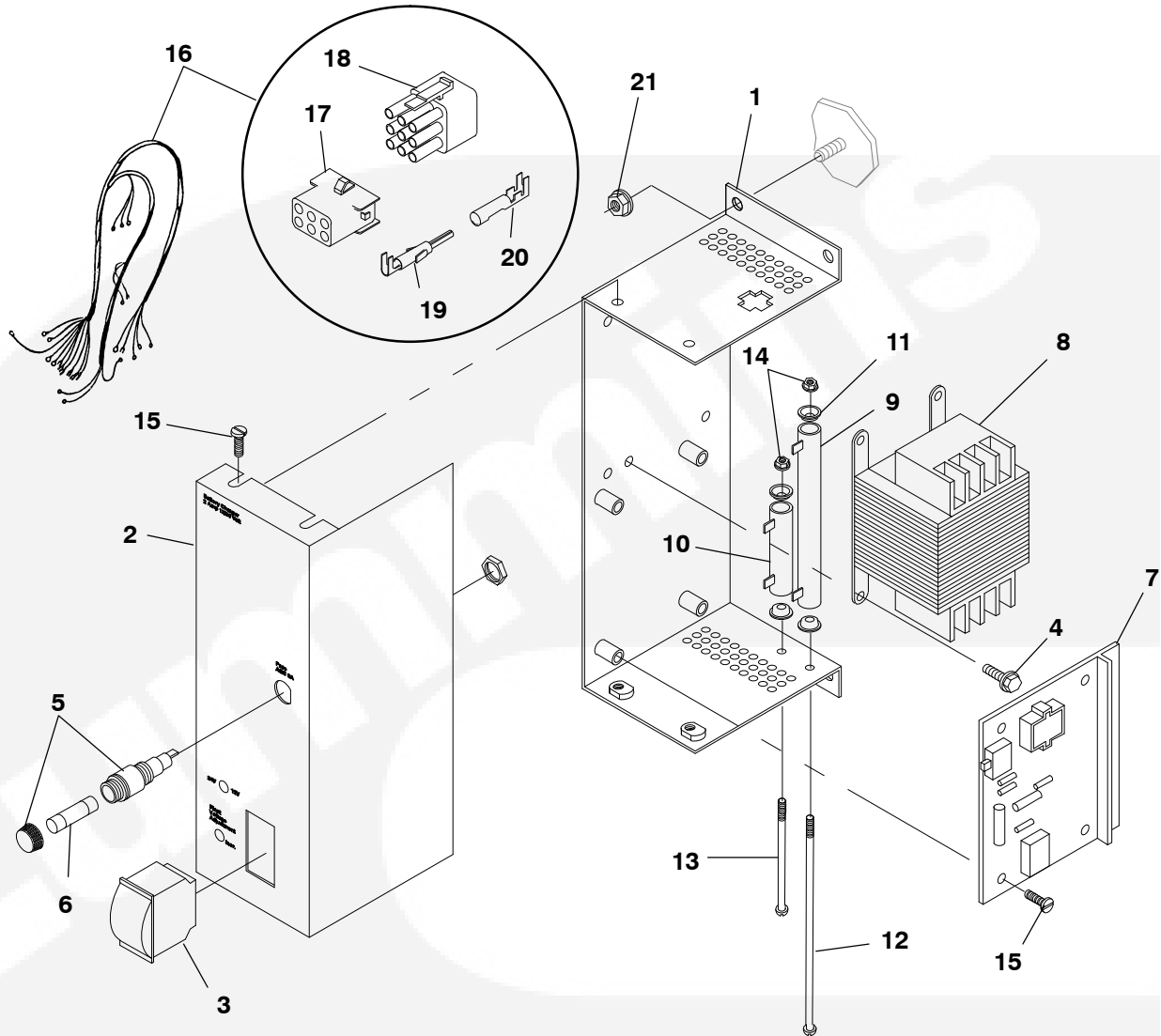
Battery Charger Alarm



REF NO.	PART NO.	QTY USED	PART DESCRIPTION	REF NO.	PART NO.	QTY USED	PART DESCRIPTION
1	332-2837-09	1	Rail, Terminal Block	9	800-0005	4	Screw, Cap - Hex Head (1/4-20 x .75)
2	319-3943	1	Plate, Mounting	10	338-2350	1	Harness, Alarm (Includes Parts Marked *)
3	332-2836-02	1	Block, Terminal (Sectional)	11	323-1302	9	* Pin, Contact (J2)
4	332-2839	2	Bracket, End - Terminal	12	323-1374-10	1	* Housing, Connector (10 Pin) (J2)
5	332-2841	1	Plate, End - Terminal				
6	815-0955-03	2	Screw, Phillips/Hex Head - GND (M4 x 10)				
7	332-2420	2	Mount, Cable Tie				
8	870-0212	4	Nut, Self-Locking (1/4-20)				

* - Parts Included in 338-2349 Wiring Harness

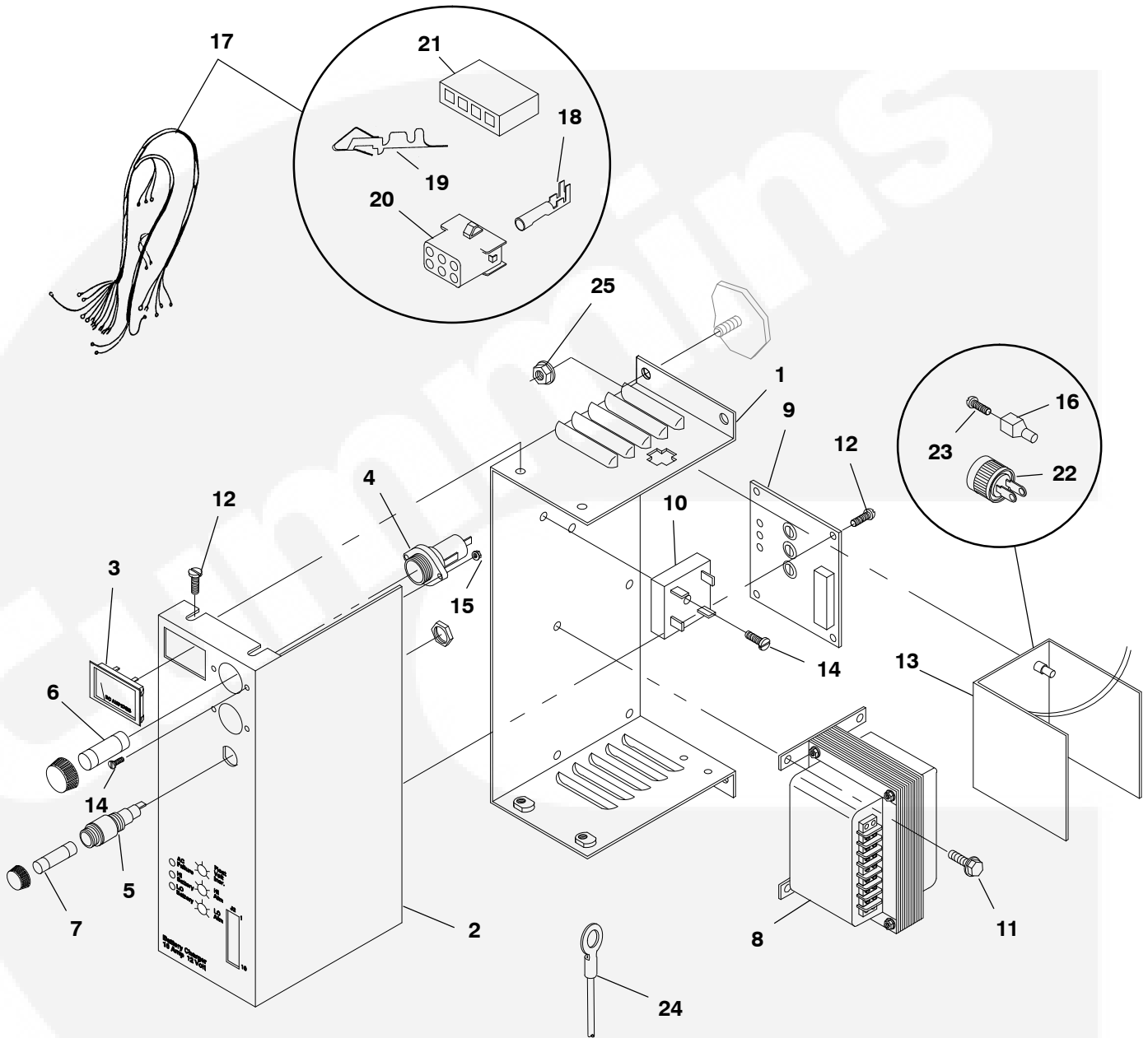
Battery Charger 2 Amp, 12/24 Volt



REF NO.	PART NO.	QTY USED	PART DESCRIPTION	REF NO.	PART NO.	QTY USED	PART DESCRIPTION
1	301-9990	1	Wrapper, Charger – Battery	13	813-0112	1	Screw, Machine – Round Head (#10-32 x 2-1/2)
2	301-9991	1	Cover, Charger – Battery	14	870-0131	2	Nut, Hex – W/ET (#10-32)
3	302-0807	1	Ammeter, DC	15	815-0845	8	Screw, Pan Head – W/ET (#6-32 x 3/8)
4	821-0040	4	Screw, Machine – Locking Head Slotted (#10-32 x 5/16)	16	338-2149	1	Harness, Wiring (Includes Parts Marked #)
5	321-0175	1	Holder, Fuse	17	323-1318	1	*Cap, 6 pin (J6)
6	321-0153	1	Fuse, 3 Amp	18	323-1291	1	*Plug, 9 pin (P9)
7	300-2946	1	Board, Printed Circuit	19	323-1199	A/R	*Pin, Terminal
8			Transformer	20	323-1200	A/R	*Socket, Terminal
	315-0621-01	1	120 Volt	21	862-0026-53	4	Nut, Hex – W/ET (M5)
	315-0621-02	1	208/240/480 Volt				
	315-0621-03	1	380/416 Volt				
	315-0621-04	1	600 Volt				
9	304-0037	1	Resistor, Fixed				
10	304-0139	1	Resistor, Fixed				
11	304-0015	4	Washer, Centering (7/32")				
12	813-0116	1	Screw, Machine – Round Head (#10-32 x 6-1/2)				

* – Parts Included in 338-2149 Wiring Harness

Battery Charger 10 Amp, 12 Volt



Battery Charger 10 Amp, 12 Volt

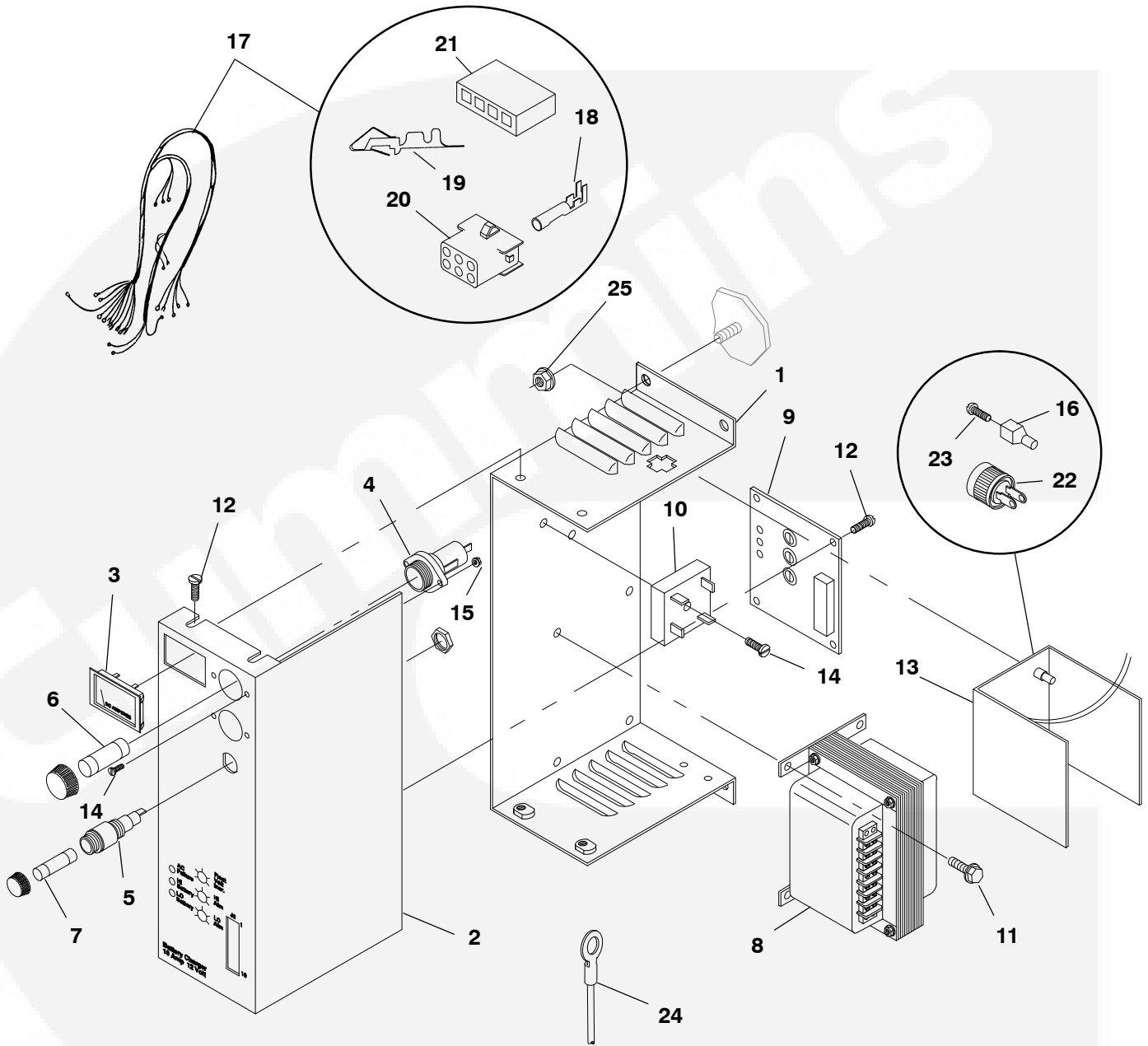
REF NO.	PART NO.	QTY USED	PART DESCRIPTION	REF NO.	PART NO.	QTY USED	PART DESCRIPTION
1	319-0072	1	Wrapper, Charger – Battery	9	300-3160	1	PCB, Charger – Battery
2	319-0073	1	Cover, Charger – Battery	10	305-0653	1	Rectifier, Bridge
3	302-1844	1	Ammeter, DC	11	821-0040	4	Screw, Machine – Locking Head (#10-32 x 5/16)
4	321-0237	2	Holder, Fuse (AC Input)	12	815-0845	8	Screw, Pan Head – W/ET (#6-32 x 3/8)
5	321-0104	1	Holder, Fuse (DC Output)	13	305-0781	1	Rectifier Assembly – SCR (12 Volt) (Includes Parts Marked *)
6			Fuse	14	815-0539	6	Screw, Pan Head – W/ET (#8-32 x 5/8)
			50 Hertz	15	870-0221	5	Nut, Hex – W/ET (#8-32)
	321-0304-01	2	416/440 Volt	16	870-0263	4	*Nut, Insulated (#8)
	321-0304-02	2	380 Volt	17	338-2223	1	Harness, Battery Charger (Includes Parts Marked #)
	321-0304-03	2	240 Volt	18	323-1200	A/R	#Socket, Terminal
	321-0304-04	2	220 Volt	19	323-1302	A/R	#Pin, Terminal
			60 Hertz	20	323-1318	1	#Cap, 6 pin
	321-0304-01	2	480 Volt	21	323-1374-05	1	#Plug, 5 pin
	321-0304-02	2	380 Volt	22	364-0003	1	*Rectifier, Gate (SCR)
	321-0304-03	2	240 Volt	23	809-0035	4	*Screw, Sheet Metal – Round Head (#8 x 3/4)
	321-0304-04	2	208 Volt	24	226-3554-02	1	Lead (Quantity Used as Required)
	321-0304-05	2	120 Volt	25	862-0026-53	4	Nut, Hex – W/ET (M5)
	321-0303-02	2	600 Volt				
7	321-0127	1	Fuse (15 Amp)				
8			Transformer				
			50 Hertz				
	315-0702	1	380 Volt				
	315-0704	1	220/416/440 Volt				
	315-0712	1	240 Volt				
			60 Hertz				
	315-0700	1	120/208/240 Volt				
	315-0706	1	380 Volt				
	315-0708	1	480 Volt				
	315-0710	1	600 Volt				

– Parts Included in 338-2223 Wiring Harness

* – Parts Included in 305-0781 Rectifier Assembly



Battery Charger 10 Amp, 24 Volt



Battery Charger 10 Amp, 24 Volt

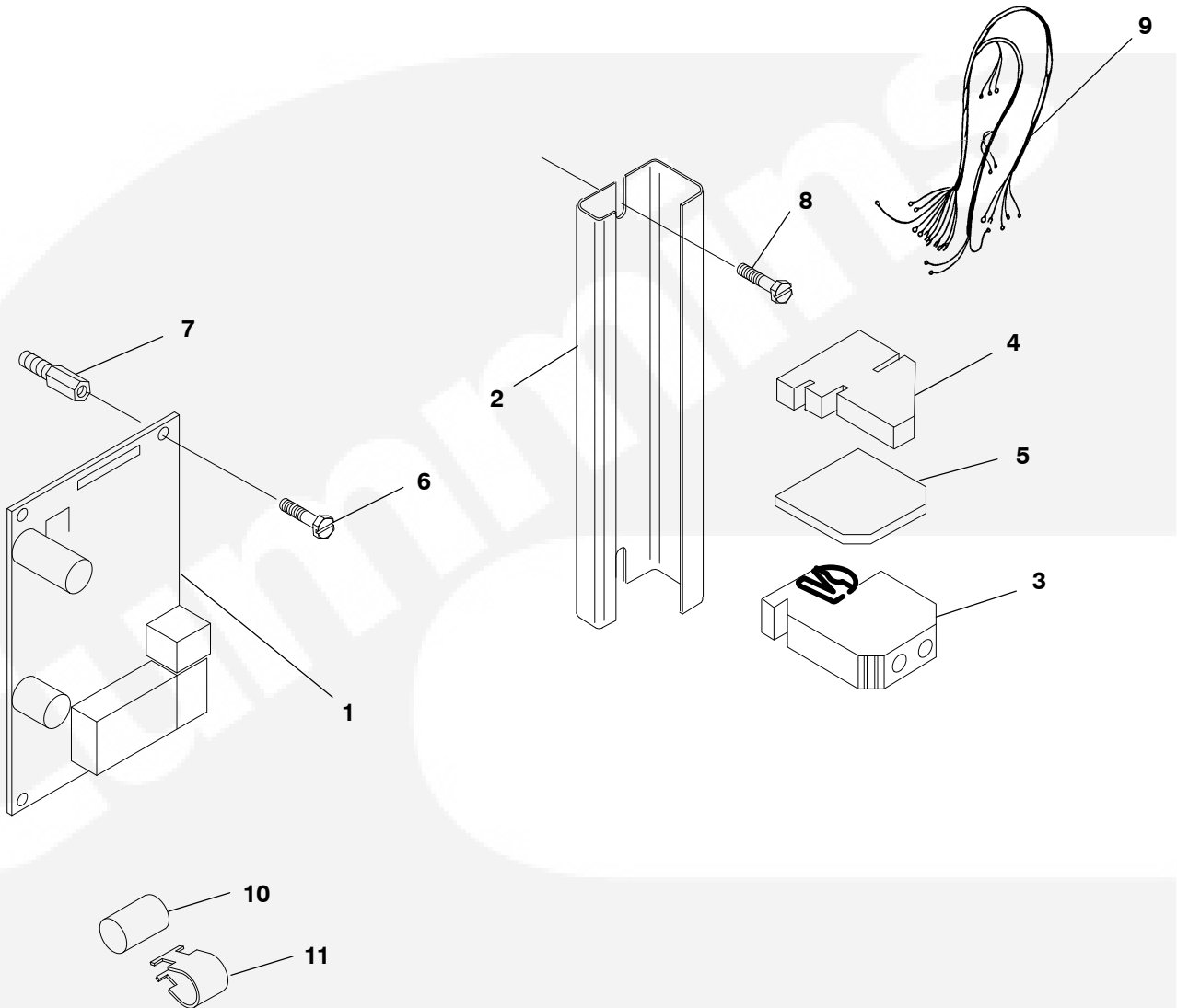
REF NO.	PART NO.	QTY USED	PART DESCRIPTION	REF NO.	PART NO.	QTY USED	PART DESCRIPTION
1	319-0072	1	Wrapper, Charger – Battery	9	300-3244	1	PCB, Charger – Battery
2	319-0073	1	Cover, Charger – Battery (Includes Silkscreen)	10	305-0653	1	Rectifier, Bridge
3	302-1844	1	Ammeter, DC	11	821-0040	4	Screw, Machine – Locking Head (#10-32 x 5/16)
4	321-0237	2	Holder, Fuse (AC Input)	12	815-0845	8	Screw, Pan Head – W/ET (#6-32 x 3/8)
5	321-0104	1	Holder, Fuse (DC Output)	13	305-0781	1	Rectifier Assembly – SCR (12 Volt) (Includes Parts Marked *)
6			Fuse				
			50 Hertz				
	321-0304-04	2	380/416/440 Volt				
	321-0304-05	2	240 Volt	14	815-0539	6	Screw, Pan Head – W/ET (#8-32 x 5/8)
	321-0304-06	2	220 Volt				
			60 Hertz				
	321-0303-02	2	600 Volt	15	870-0221	5	Nut, Hex – W/ET (#8-32)
	321-0304-03	2	480 Volt	16	870-0263	4	*Nut, Insulated (#8)
	321-0304-04	2	380 Volt	17	338-2223	1	Harness, Battery Charger (Includes Parts Marked #)
	321-0304-05	2	240 Volt	18	323-1200	A/R	#Socket, Terminal
	321-0304-06	2	120/208 Volt	19	323-1302	A/R	#Pin, Terminal
7	321-0127	1	Fuse (15 Amp)	20	323-1318	1	#Cap, 6 pin
8			Transformer	21	323-1374-05	1	#Plug, 5 pin
			50 Hertz	22	364-0003	1	*Rectifier, Gate (SCR)
	315-0705	1	220/416/440 Volt	23	809-0035	4	*Screw, Sheet Metal – Round Head (#8 x 3/4)
	315-0703	1	380 Volt				
	315-0713	1	240 Volt	24	226-3554-02	1	Lead (Quantity Used as Required)
			60 Hertz				
	315-0701	1	120/208/240 Volt	25	862-0026-53	4	Nut, Hex – W/ET (M5)
	315-0707	1	380 Volt				
	315-0709	1	480 Volt				
	315-0711	1	600 Volt				

– Parts Included in 338-2223 Wiring Harness

* – Parts Included in 305-0781 Rectifier Assembly

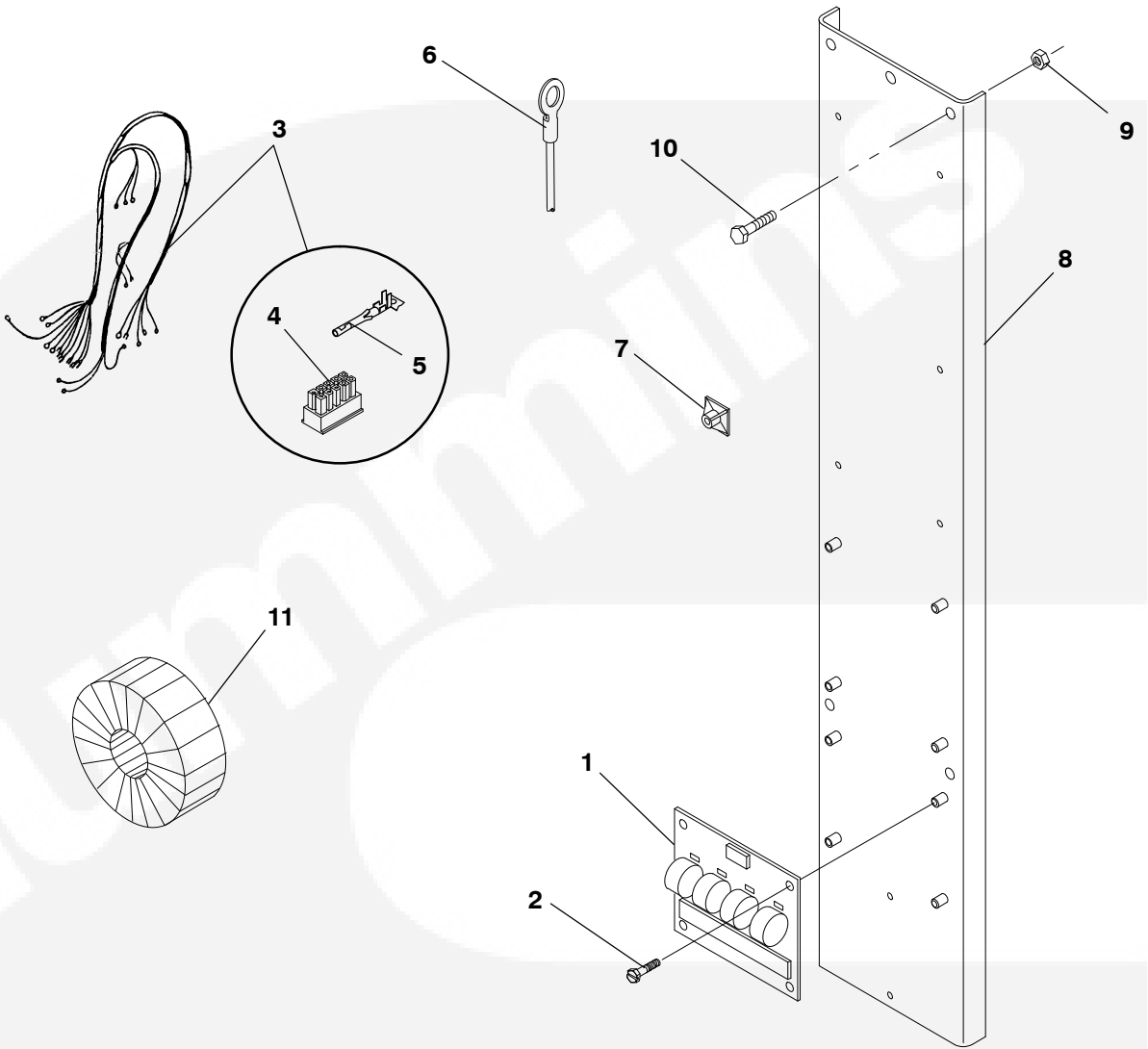


Network Module



REF NO.	PART NO.	QTY USED	PART DESCRIPTION	REF NO.	PART NO.	QTY USED	PART DESCRIPTION
1	300-5153	1	Board, Printed Circuit - Network Module	7	870-2213-02	4	Standoff, Hex Thread (M3)
2	332-2837-09	1	Rail, Terminal Block	8	815-0955-03	2	Screw, Phillips/Hex Head - GND (M4 x 10)
3	332-2836-01	2	Block, Terminal (Sectional)	9	338-3886	1	Harness, Network
4	332-2839	2	Bracket, End - Terminal	10		2	Battery - Lithium (3.0V) (Purchase Locally)
5	332-2841	1	Plate, End - Terminal	11	416-1049	2	Clip, Battery
6	815-0959-03	4	Screw, Pan Head (M3 x 0.5 x 8)				

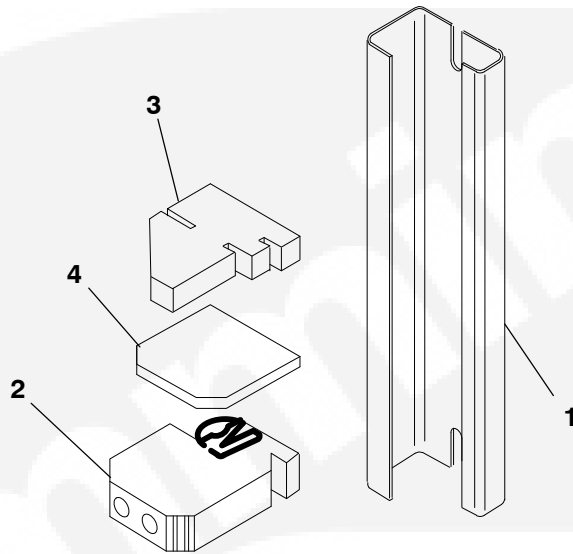
Current Transformer Module



REF NO.	PART NO.	QTY USED	PART DESCRIPTION	REF NO.	PART NO.	QTY USED	PART DESCRIPTION
1	300-5254	1	Board, Printed Circuit – Current Module	12			Transformer, Current 40 Amp
2	815-0959-03	4	Screw, Pan Head (M3 x 8)	302-1821	2		120 VAC
3	338-3884-01	1	Harness, Current Module (Includes Parts Marked *)	302-1821	3		1 Phase, 2 or 3 Wire
4	323-1806-05	2	* Connector, Receptacle (10 Pin)	302-1821	4		3 Phase, 3 or 4 Wire
5	332-3606	20	* Socket, Contact	302-1822	2		70 Amp 120 VAC
6			Lead	302-1822	3		1 Phase, 2 or 3 Wire
	226-4794-03	1	15" (Marked J40-14, GND)	302-1822	4		3 Phase, 3 or 4 Wire
	226-4794-04	4	3" (No Markings)				125 Amp
7	332-2420	2	Mount, Cable Tie	302-1392	2		120 VAC
8	319-3943	1	Plate, Mounting	302-1392	3		1 Phase, 2 or 3 Wire
9	870-0212	4	Nut, Self-Locking (1/4-20)	302-1392	4		3 Phase, 3 or 4 Wire
10	800-0005	4	Screw, Cap – Hex Head (1/4-20 x .75)				
11			Transformer, Current				

* – Parts Included in 338-3884-01 Wiring Harness

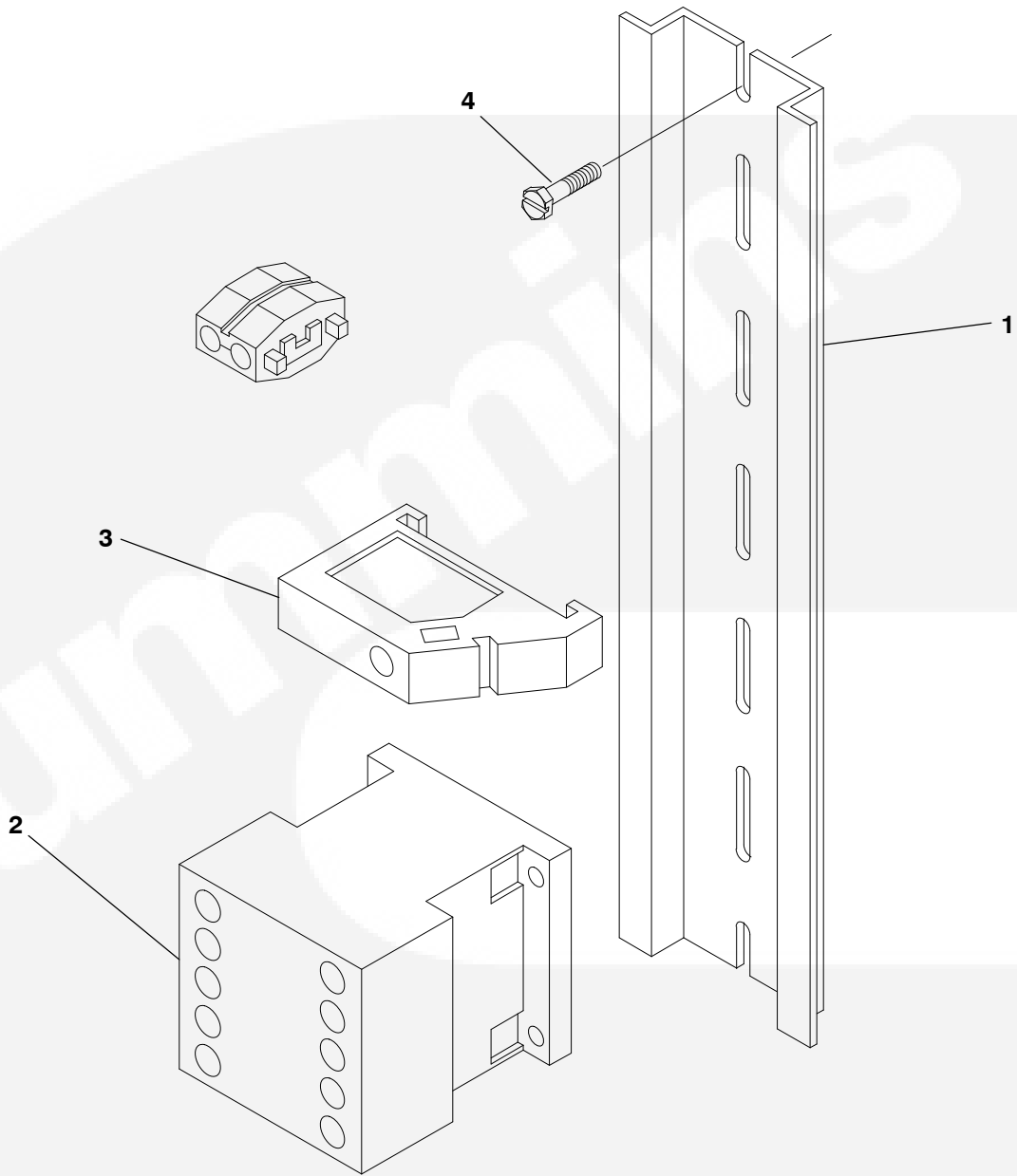
Terminal Block



REF NO.	PART NO.	QTY USED	PART DESCRIPTION	REF NO.	PART NO.	QTY USED	PART DESCRIPTION
1	332-2837-09	1	Rail, Terminal Block	3	332-2839	2	Bracket, End - Terminal
2	332-2836-02	3	Block, Terminal (Sectional)	4	332-2841	1	Plate, End - Terminal

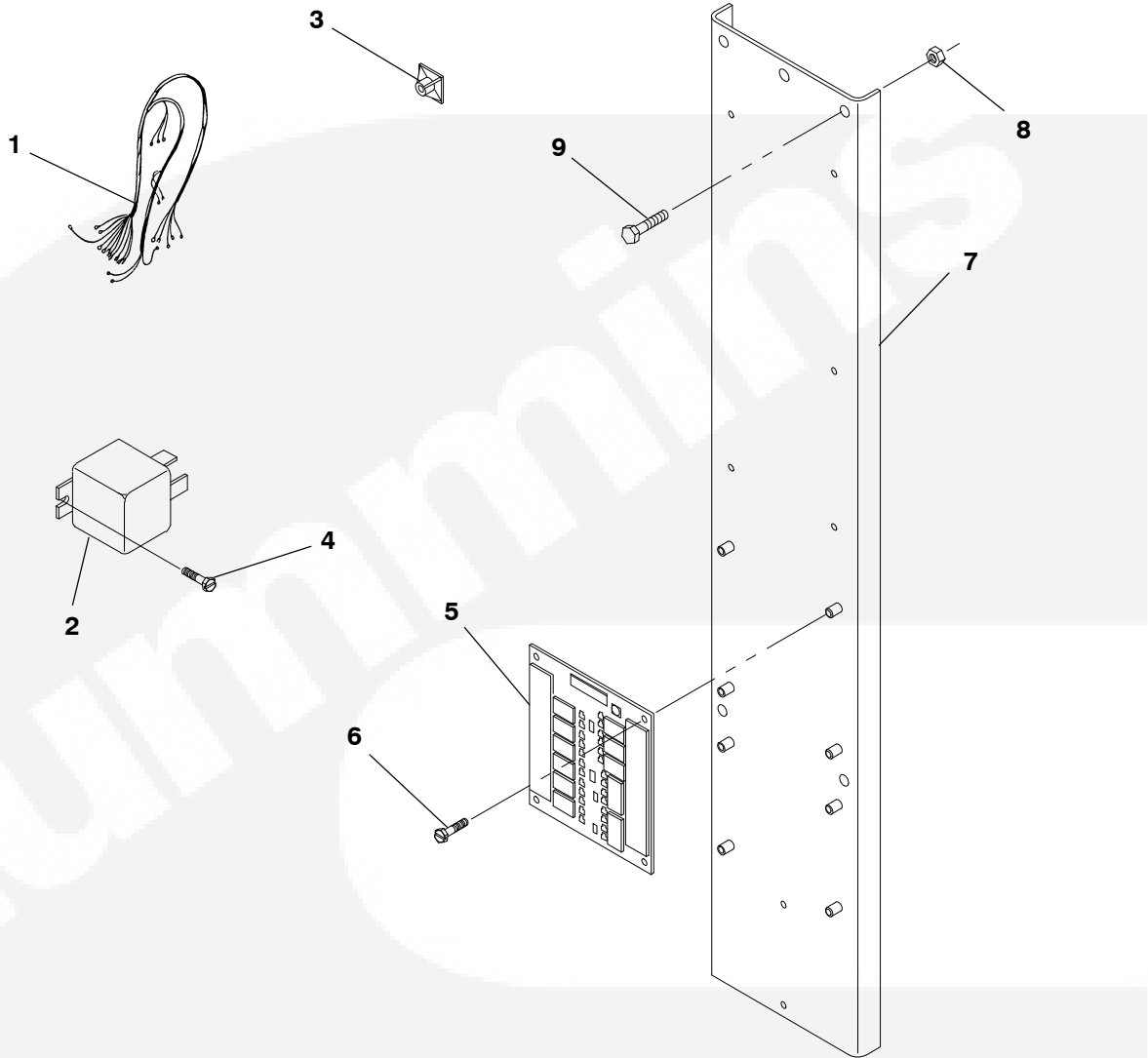


Auxiliary Relay



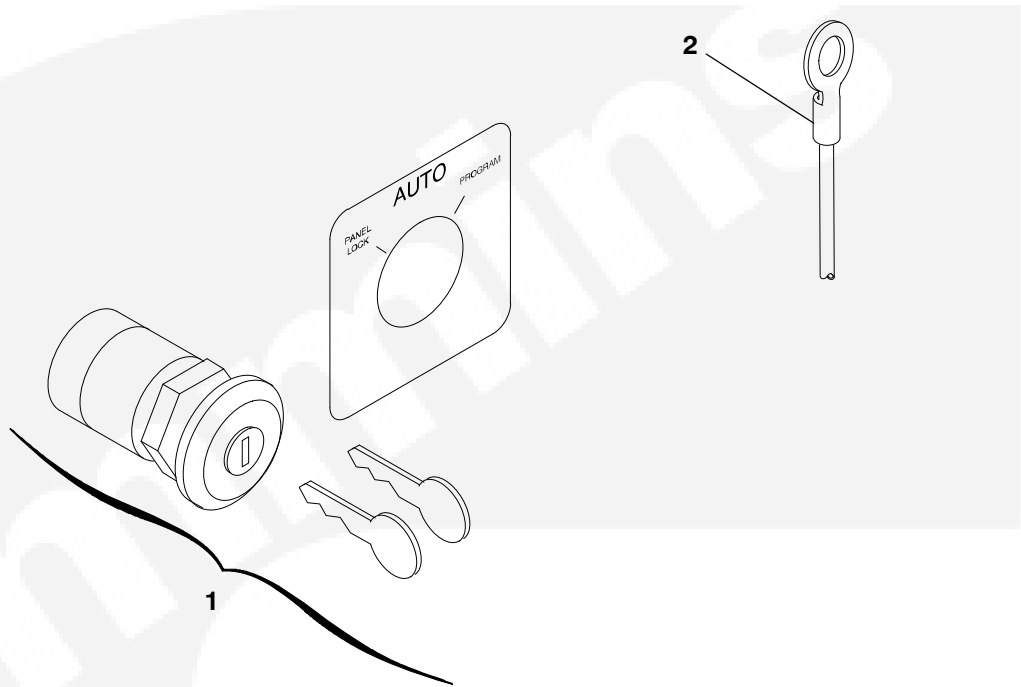
REF NO.	PART NO.	QTY USED	PART DESCRIPTION	REF NO.	PART NO.	QTY USED	PART DESCRIPTION
1	332-2879-02	1	Rail, Terminal	3	332-2878	2	Bracket, End
2	307-2873	1	Relay, Control 12 VDC	4	815-0955-03	2	Screw, Phillips/Hex Head - GND (M4 x 10)
	307-2874	1	24 VDC				

Load Shed



REF NO.	PART NO.	QTY USED	PART DESCRIPTION	REF NO.	PART NO.	QTY USED	PART DESCRIPTION
1			Harness, Load Shed	6	815-0959-03	4	Screw, Pan Head (M3 x 8)
	338-3876-01	1	All Except 600 Volt	7	319-3943	1	Plate, Mounting
	338-3876-02	1	600 Volt	8	870-0212	4	Nut, Self-Locking (1/4-20)
2	307-2929	1	Relay - 3PDT (12 VDC)	9	800-0005	4	Screw, Cap - Hex Head (1/4-20 x .75)
3	332-2420	2	Mount, Cable Tie				
4	815-0792-02	1	Screw, Pan Head (M4 x 8)				
5	300-5152	1	Board, Printed Circuit - Relay Module				

Front Panel Security



REF NO.	PART NO.	QTY USED	PART DESCRIPTION	REF NO.	PART NO.	QTY USED	PART DESCRIPTION
1	308-1094	1	Switch, Selector	2			Lead
					226-4794-01	1	14" (Marked S20-2 - J27-5)
					226-4794-02	1	16" (Marked S20-2 - J27-11)

Intentionally Left Blank



Numerical Index

<u>Part No.</u>	<u>Page</u>	<u>Part No.</u>	<u>Page</u>	<u>Part No.</u>	<u>Page</u>	<u>Part No.</u>	<u>Page</u>
226-3380,	9	304-0139,	25	306-4523,	15 , 17 , 19	315-0700,	27
226-3554-01,	15 , 17 , 19	305-0653,	27 , 29	306-5321-01,	9	315-0701,	29
226-3554-02,	15 , 17 , 19 , 27 , 29	305-0781,	27 , 29	306-5321-02,	9	315-0702,	27
226-4794-01,	35	306-0268,	11	306-5321-03,	9	315-0703,	29
226-4794-02,	35	306-0508,	11	306-5321-04,	9	315-0704,	27
226-4794-03,	31	306-1381,	12	306-5321-05,	9	315-0705,	29
226-4794-04,	31	306-1382,	12	306-5327-01,	9	315-0706,	27
300-2946,	25	306-1396,	11	306-5327-02,	9	315-0707,	29
300-3160,	27	306-1842,	11 , 12	306-5327-03,	9	315-0708,	27
300-3244,	29	306-2340,	9	306-5327-04,	9	315-0709,	29
300-5146,	15 , 17 , 19	306-2352,	11	306-5327-05,	9	315-0710,	27
300-5147-01,	15 , 17 , 19	306-3391,	13	306-5334-01,	9	315-0711,	29
300-5148-01,	15 , 17 , 19	306-3400-02,	9	306-5334-02,	9	315-0712,	27
300-5148-02,	15 , 17 , 19	306-3417,	11 , 13	306-5334-03,	9	315-0713,	29
300-5148-03,	15 , 17 , 19	306-3418,	9	306-5334-04,	9	319-0072,	27 , 29
300-5148-04,	15 , 17 , 19	306-3420,	13	306-5334-05,	9	319-0073,	27 , 29
300-5149-05,	15 , 17 , 19	306-3467,	17	306-5335-01,	9	319-3864-02,	15
300-5149-06,	15 , 17 , 19	306-3471-01,	11	306-5335-02,	9	319-3865-02,	15
300-5149-07,	15 , 17 , 19	306-3471-02,	11	306-5335-03,	9	319-3867-03,	17
300-5149-08,	15 , 17 , 19	306-3471-03,	11	306-5335-04,	9	319-3867-04,	17
300-5151,	15 , 17 , 19	306-3471-05,	11	306-5335-05,	9	319-3868-02,	17
300-5152,	34	306-3471-06,	11	306-5336-01,	9	319-3870-02,	19
300-5153,	30	306-3473,	9	306-5336-02,	9	319-3871-02,	19
300-5180,	15 , 17 , 19	306-3482,	11	306-5336-03,	9	319-3940-02,	20 , 21
300-5185,	15	306-3483,	9	306-5336-04,	9	319-3941-02,	20 , 21
300-5186,	15	306-3525,	17	306-5336-05,	9	319-3942-02,	20 , 21
300-5254,	31	306-3526-01,	17	307-2873,	23 , 33	319-3943,	23 , 24 , 31 , 34
300-5271,	15	306-3573,	11	307-2874,	33	319-4011-02,	22
300-5391,	17 , 19	306-3574,	9	307-2929,	20 , 21 , 34	320-0606,	11
300-5392,	17 , 19	306-3575,	11	307-2931,	21	320-0608,	11
300-5393,	17 , 19	306-3576,	11	308-0406,	20 , 21	320-0609,	11
301-6727,	19	306-3578,	11	308-1094,	35	321-0104,	27 , 29
301-9990,	25	306-3601,	11	309-0393,	13	321-0127,	27 , 29
301-9991,	25	306-3627,	11	312-0203,	11	321-0153,	25
302-0807,	25	306-4080-01,	11	312-0204,	11	321-0175,	25
302-1392,	31	306-4080-02,	11	312-0209,	11	321-0237,	27 , 29
302-1821,	31	306-4269,	9	315-0621-01,	25	321-0303-02,	27 , 29
302-1822,	31	306-4405-07,	9	315-0621-02,	25	321-0304-01,	27
302-1844,	27 , 29	306-4405-08,	9	315-0621-03,	25	321-0304-02,	27
304-0015,	25	306-4405-09,	9	315-0621-04,	25	321-0304-03,	27 , 29
304-0037,	25	306-4405-10,	9	315-0661,	15 , 17 , 19	321-0304-04,	27 , 29
						321-0304-05,	27 , 29

Numerical Index

<u>Part No.</u>	<u>Page</u>	<u>Part No.</u>	<u>Page</u>	<u>Part No.</u>	<u>Page</u>	<u>Part No.</u>	<u>Page</u>
321-0304-06,	29	337-2365,	11	508-0233,	17 , 19	815-0686,	13
323-1199,	22 , 23 , 25	337-2403,	11	508-1045,	15	815-0792-02,	20 , 21 , 34
323-1200,	22 , 23 , 25 , 27 , 29	337-2404,	11	508-1114,	15	815-0845,	25 , 27 , 29
323-1252,	22	337-2410-01,	11	517-0135,	15	815-0932,	12
323-1253,	22	337-2410-02,	11	517-0137,	15	815-0933,	12
323-1291,	25	337-2410-03,	11	517-0266,	17 , 19 , 22	815-0955-03,	20 , 21 , 23 , 24 , 30 , 33
323-1302,	24 , 27 , 29	337-2414,	11	526-0008,	9	815-0958-04,	21
323-1314,	22	338-2149,	25	526-0018,	9	815-0959-03,	15 , 17 , 19 , 30 , 31 , 34
323-1315,	22	338-2219,	22	526-0022,	19	815-0960-04,	20 , 21
323-1318,	25 , 27 , 29	338-2220,	22	800-0003,	9 , 15	821-0040,	25 , 27 , 29
323-1374-05,	27 , 29	338-2223,	27 , 29	800-0005,	23 , 24 , 31 , 34	850-0040,	9
323-1374-10,	24	338-2350,	24	800-0007,	11	851-0027,	11
323-1703,	23	338-3792,	11	800-0008,	9	851-0028,	9
323-1806-05,	31	338-3836,	23	800-0021,	9	853-2005,	15
332-2420,	23 , 24 , 31 , 34	338-3838-02,	15 , 17 , 19	800-0027,	9	862-0001,	11
332-2542,	11	338-3851-02,	15 , 17 , 19	800-0028,	11	862-0015,	11
332-2605,	9	338-3852-02,	15 , 17 , 19	800-0030,	11	862-0026-53,	25 , 27 , 29
332-2832,	9	338-3852-03,	15 , 17 , 19	800-2000,	15	870-0131,	9 , 17 , 19 , 25
332-2836-01,	30	338-3853-02,	15 , 17 , 19	809-0035,	27 , 29	870-0201,	13
332-2836-02,	24 , 32	338-3853-03,	15 , 17 , 19	812-0177,	19	870-0212,	15 , 17 , 19 , 23 , 24 , 31 , 34
332-2837-09,	24 , 30 , 32	338-3876-01,	34	813-0112,	25	870-0221,	27 , 29
332-2839,	24 , 30 , 32	338-3876-02,	34	813-0116,	25	870-0235,	12
332-2841,	24 , 30 , 32	338-3884-01,	31	815-0029,	9	870-0263,	27 , 29
332-2878,	23 , 33	338-3886,	30	815-0261,	11 , 15	870-0281,	9
332-2879-02,	33	364-0003,	27 , 29	815-0290,	11	870-0298,	12
332-2879-04,	23	406-0519,	19	815-0446,	11	870-0320,	9
332-2903,	11	406-0613,	17	815-0527,	11	870-2213-02,	30
332-3038,	11	406-0649,	17	815-0539,	27 , 29	870-2216,	15 , 17 , 19
332-3514,	11	406-0809,	15	815-0651,	9	895-0293-03,	17 , 19
332-3606,	23 , 31	406-0810,	15	815-0652,	9	895-0293-04,	17 , 19
332-3647,	15 , 17 , 19	406-0933,	15	815-0656,	11		
		416-1049,	30	815-0667,	11		



Cummins Power Generation

1400 73rd Ave. NE
Minneapolis, MN 55432 USA

Phone 1 763 574 5000

Toll-free 1 800 888 6626

Fax 1 763 574 5298

Email ask.powergen@cummins.com

www.cumminspower.com

Cummins®, the "C" logo, and "Our energy working for you." are trademarks of Cummins Inc.

©2013 Cummins Power Generation, Inc. All rights reserved.

