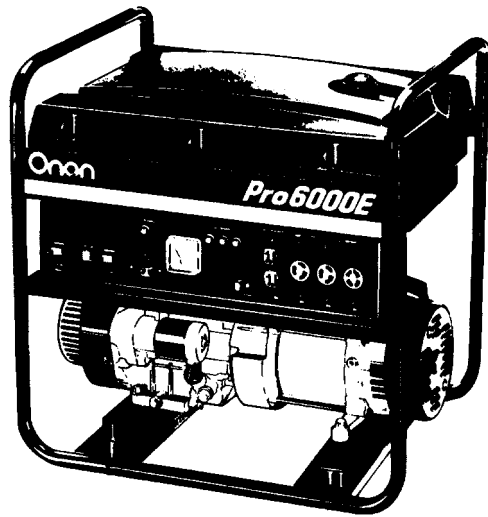


Onan

Portable Genset Parts Catalog

5.0 & 6.0 EGH



Printed in U.S.A.

965-0203B
7-00 (Begin Spec C)

Replaces 1-96 (Begin Spec C)

MODEL IDENTIFICATION

To avoid errors or delay in filling your parts order, always give the MODEL, SPEC NO. and SERIAL NO. from the Onan nameplate.

For handy reference, insert your nameplate information in the spaces below.

MODEL AND SPEC NO.

SERIAL NO.

DIGITAL CONTROL SOFTWARE VERSION
AND DATE (IF APPLICABLE)

SAFETY PRECAUTIONS

The following symbols are used in Onan manuals to alert users to the potentially dangerous conditions relating to maintenance of equipment and replacement of parts. Please read and observe.



This symbol warns of immediate hazards which will result in severe personal injury or death.



This symbol refers to a hazard or unsafe practice which can result in severe personal injury or death.



This symbol refers to a hazard or unsafe practice which can result in severe personal injury or product or property damage.

PRODUCT SAFETY PRECAUTIONS



Service and repair of Onan equipment must be performed by trained, experienced personnel only. Improper service or repair may result in property damage, severe personal injury or death. Do not use this catalog as a guide to servicing your equipment. Read and follow the IMPORTANT SAFETY INSTRUCTIONS in the Service Manual appropriate for the equipment you are working on.



Contact with USED ENGINE OILS has been identified by a United States federal agency and some USA state agencies as causing CANCER or REPRODUCTIVE TOXICITY. When checking or changing engine oils take all necessary precautions not to ingest, breathe the fumes or contact the used oil.



Contact with ASBESTOS has been identified by a United States federal agency and some USA state agencies as causing CANCER or REPRODUCTIVE TOXICITY. When handling engine gaskets take all necessary precautions not to ingest, breathe or contact the dust from the gaskets! Use adequate ventilation and wear protective gloves, masks and clothing!



Contact with BENZINE and LEAD, found in gasoline, fuel additives and solvents has been identified by a United States federal agency and some USA state agencies as causing CANCER or REPRODUCTIVE TOXICITY. When checking, draining or adding gasoline and fuel additives or using solvents take all necessary precautions not to ingest, breathe the fumes or contact the liquids. Use adequate ventilation and wear protective gloves, masks and protective clothing!

Introduction

This manual applies to the Portable Generator Sets as listed in the Generator Set Data Table. Parts are arranged in groups of related items and each illustrated part is identified by a reference number corresponding to the same reference number in the parts list. Parts illustrations are typical. Using the model and specification number from your generator set nameplate, select parts that apply to your set. Right and left sides are determined by facing the engine end (front) of the set.

Generator Set Data Table

| MODEL AND SPECIFICATION | WATTS | RPM | VOLTS | HERTZ | Wiring Diagram | PHASE | STARTING |
|-------------------------|-------|------|---------|-------|----------------|-------|-----------------|
| 5.0EGH-AB/38018C | 5000 | 3600 | 120/240 | 60 | 625-3195 | 1 | Recoil |
| 5.0EGH-EB/38018C | 5000 | 3600 | 120/240 | 60 | 625-3194 | 1 | Electric/Recoil |
| 5.0EGH-EM/34879C | 5000 | 3000 | 110/220 | 50 | 625-3194 | 1 | Electric/Recoil |
| 6.0EGH-EB/38018C | 6000 | 3600 | 120/240 | 60 | 625-3193 | 1 | Electric/Recoil |
| 6.0EGH-EM/34879C | 6000 | 3000 | 110/220 | 50 | 625-3194 | 1 | Electric/Recoil |

* – The diagonal line (/) in the model and specification number separates generator set characteristics from the specification number and letter. The specification number denotes customer requested options or deviations from a standard model. The specification letter advances (A to B, B to C, etc.) with major manufacturing changes.

Index

Adapter, 5KW (Spec 34879), **27**
Adapter, 5KW Generator (Spec 38018), **24**
Adapter, 6KW Generator (Spec 34879, 38018), **25**
Adapter, Oil Filter, **15**
Arm Assy, Rocker, **13**
Armature, Starter, **20**
Axel, Dolly, **30**

Back, Control Box (Spec 34879), **29, 30**
Back, Control Box (Spec 38018), **28**
Ball, Relieve Valve Steel, **15**
Bearing, 5KW Rotor Ball (Spec 38018), **24**
Bearing, 6KW Rotor Ball (Spec 34879, 38018), **25**
Bearing, Balancer Shaft, **7**
Bearing, Camshaft, **7**
Bearing, Crankshaft (Block End), **7**
Bearing, Crankshaft (Gearcase End), **15**
Bearing, Starter Oilless, **20**
Block, Cylinder, **7**
Body, Connector, **22**
Body, Engine Harness Connector, **22**
Bracket, Lift, **23**
Bracket, Solenoid (Spec 34879), **29**
Bracket, Solenoid (Spec 38018), **28**
Bracket, Throttle Adjust, **17**
Breaker, Circuit (Spec 34879), **29**
Breaker, Circuit (Spec 38018), **28**
Breather, **13**
BU/PR Std Green (Spec 34879), **29**
Bushing, 5KW Endbell Cover Rubber (Spec 34879), **27**
Bushing, 5KW Endbell Cover Rubber (Spec 38018), **24**
Bushing, 6KW Endbell Cover Rubber (Spec 34879, 38018), **25**
Bushing, Snap (Spec 34879), **29**
Bushing, Snap (Spec 38018), **28**

Cable, Battery (Spec 34879), **29**
Cable, Battery (Spec 38018), **28**
Camgear, **9**
Camshaft, **9**
Cap, Gas (Spec 34879), **29**
Cap, Gas (Spec 38018), **28**
Carburetor, **19**
Case, Recoil, **21**
Case, Recoil Spring, **21**
Circlip, Governor, **17**
Clamp, Dolly U, **30**
Clamp, Hose, **19**
Clip, Battery (Spec 34879), **29**
Clip, Battery (Spec 38018), **28**
Clip, Fuel Hose Wire, **13**
Clip, Fuel Line (Spec 34879), **29**
Clip, Fuel Line (Spec 38018), **28**
Clip, Governor Lever Link, **17**
Clip, Linkage (Spec 34879), **29**
Clip, Linkage (Spec 38018), **28**
Clip, Rocker Arm Retainer, **13**
Clutch, Starter, **20**

Coil, Ignition, **7**
Connector (Spec 34879), **29**
Connector, Breather Tube, **13**
Connector, Idler (Spec 34879), **29**
Connector, Idler (Spec 38018), **28**
Connector, Plastic (Spec 34879), **29**
Connector, Plastic (Spec 38018), **28**
Control (Spec 34879), **29**
Control (Spec 38018), **28**
Cover, 5KW Endbell (Spec 34879), **27**
Cover, 5KW Endbell (Spec 38018), **24**
Cover, 6KW Endbell (Spec 34879, 38018), **25**
Cover, Air Cleaner, **19**
Cover, Air Filter, **19**
Cover, Oil Pump, **15**
Cover, Starter Hole, **7**
Cover, Valve, **13**
Crankshaft, **8**

Diagram, Wiring, **28**
Diode, 5KW (Spec 34879), **27**
Diode, 5KW (Spec 38018), **24**
Diode, 6KW (Spec 34879, 38018), **25**
Dog, Recoil, **21**
Dolly, **30**
Duct, Air Inlet, **19**

Elbow, 90 Degree, **7**
Elbow, Intake, **19**
Endbell, 5KW (Spec 34879), **27**
Endbell, 5KW (Spec 38018), **24**
Endbell, 6KW (Spec 34879, 38018), **25**

Fan, 5KW Rotor (Spec 34879), **27**
Fan, 5KW Rotor (Spec 38018), **24**
Fan, 6KW Rotor (Spec 34879, 38018), **25**
Fastener, Air Cleaner Cover, **19**
Fastener, Receptacle, **19**
Filter, Air, **19**
Filter, Oil, **15**
Frame, Commutator, **20**
Frame, Starter, **20**
Fuse, **22**

Gasket, Air Cleaner, **19**
Gasket, Air Cleaner Mounting, **31**
Gasket, Cylinder Head, **13, 31**
Gasket, Exhaust Manifold, **31**
Gasket, Exhaust Manifold (Spec 34879), **29**
Gasket, Exhaust Manifold (Spec 38018), **28**
Gasket, Gearcase, **15, 31**
Gasket, Insulator, **19, 31**
Gasket, Intake, **19**
Gasket, Intake Elbow, **31**
Gasket, Muffler, **31**
Gasket, Valve Cover, **13, 31**
Gauge, Oil, **15**
Gear, Balancer, **8**

Index

- Gear, Crankshaft, **8**
- Gear, Governor, **15**
- Gear, Ring, **11**
- Gearcase, **15**
- Generator, 5KW (Spec 34879), **27**
- Generator, 5KW (Spec 38018), **24**
- Generator, 6KW (Spec 34879, 38018), **25**
- Generator, 6KW (Spec 38018), **25**
- Governor, **17**
- Grip, Dolly Handle, **30**
- Grommet, Breather Tube, **19**
- Guide, Valve, **13**

- Handle Assy, Recoil, **21**
- Handle, Dolly, **30**
- Harness, 5KW (Spec 34879), **27**
- Harness, Engine Wiring, **22**
- Head Assy, Cylinder, **13**
- Head, Cylinder, **13**
- Hold Down, Battery (Spec 34879), **29**
- Hold Down, Battery (Spec 38018), **28**
- Holder, 5KW Generator Brush (Spec 34879), **27**
- Holder, 5KW Generator Brush (Spec 38018), **24**
- Holder, 6KW Generator Brush (Spec 34879, 38018), **25**
- Holder, Brush, **20**
- Holder, Fuse, **22**
- Hose, Drain, **20**
- Hose, Fuel Inlet, **19**
- Housing, Air Cylinder, **23**
- Housing, Blower, **22**
- Housing, Harness (Spec 34879), **29**
- Housing, Harness (Spec 38018), **28**
- Housing, Receptacle, **22**
- Housing, Starter, **20**

- Insert Assy (Spec 34879), **29**
- Insulation, Breather Tube, **19**
- Insulator, Carburetor, **19**
- Insulator, Disconnect (Spec 38018), **28**
- Insulator, Starter, **20**

- Jet, Altitude, **19**

- Key, Blower Wheel, **11**
- Key, Crankshaft Gear, **8**
- Kit, Breather Tube, **19**
- Kit, Dolly, **30**
- Kit, Gasket, **31**

- Labels, **31**
- Lever, Choke, **17**
- Lever, Control, **17**
- Lever, Governor, **17**
- Lever, Starter Drive, **20**
- Line, Fuel, **28**
- Link, Throttle, **17**
- Link, Throttle (Spec 34879), **29**
- Link, Throttle (Spec 38018), **28**
- Link, Throttle Adjust, **17**

- Lock, Valve, **13**

- Marker, 5KW Terminal (Spec 34879), **27**
- Meter, Volt (Spec 34879), **29**
- Meter, Volt (Spec 38018), **28**
- Module, Idler (Spec 34879), **29**
- Module, Idler (Spec 38018), **28**
- Module, Low Oil (Spec 34879), **29**
- Module, Low Oil (Spec 38018), **28**
- Mount, Vibration (Spec 38018), **28**
- Muffler (Spec 34879), **29**
- Muffler (Spec 38018), **28**

- O'Ring, **31**
- O'Ring, Oil Fill Tube, **31**
- O'Ring, Oil Gauge Support, **15**
- O'Ring, Oil Pump, **15, 31**

- Pan, Air Cleaner, **19**
- Panel, Front Control (Spec 34879), **29**
- Panel, Front Control (Spec 38018), **28**
- Pin, Alternator Alignment, **11**
- Pin, Cylinder Block Alignment, **7**
- Pin, Decompression, **9**
- Pin, Dowel, **13**
- Pin, Hollow Dowel, **7**
- Pin, Piston, **10**
- Piston, **10**
- Pivot, Lever, **17**
- Plate, 5.0KW (Spec 34879), **27**
- Plate, 5KW (Spec 34879), **27**
- Plug, Circuit Breaker Hole (Spec 34879), **29**
- Plug, Crankshaft Expansion, **8**
- Plug, Jimbo (Spec 34879), **29**
- Plug, Jimbo (Spec 38018), **28**
- Plug, Oil Drain, **7**
- Plug, Spark, **13**
- Pulley, Crank, **21**
- Pump, Oil, **15**

- Receptacle, 12VDC (Spec 34879), **29**
- Receptacle, 12VDC (Spec 38018), **28**
- Receptacle, GFI (Spec 38018), **28**
- Receptacle, Twistlock (Spec 38018), **28**
- Reel, Recoil, **21**
- Regulator, 5KW Automatic Voltage (Spec 34879), **27**
- Regulator, 5KW Automatic Voltage (Spec 38018), **24**
- Regulator, 6KW Automatic Voltage (Spec 34879, 38018), **25**
- Regulator, Voltage, **22**
- Retainer, Air Cleaner Latch, **19**
- Retainer, Governor Gear, **15**
- Retainer, Recoil, **21**
- Retainer, Valve Spring, **13**
- Ring Set, Piston, **10**
- Ring, Gearcase Retaining, **15**
- Ring, Piston Retaining, **10**
- Ring, Snap, **20**
- Ring, Valve Guide, **13**

Index

Rod, Connecting, **10**
Rod, Push, **13**
Rollcage (Spec 34879), **29**
Rollcage (Spec 38018), **28**
Rotor, 5KW (Spec 34879), **27**
Rotor, 5KW Generator (Spec 38018), **24**
Rotor, 6KW Generator (Spec 34879, 38018), **25**

Screen, Oil Pickup, **15**
Seal, Air Cleaner Spacer, **19, 31**
Seal, Crankshaft Oil, **7, 15, 31**
Seal, Govenor Shaft, **31**
Seal, Governor Lever, **31**
Seal, Governor Shaft Lever, **17**
Seal, Oil, **31**
Seal, Valve Stem, **13, 31**
Set, Engine Gasket, **31**
Shaft Assy, Balancer, **8**
Shaft, Balancer, **8**
Shaft, Governor, **15**
Shaft, Governor Lever, **17**
Shaft, Rocker Arm, **13**
Shield, Exhaust Valve, **13**
Shield, Fuel Tank (Spec 34879), **29**
Shield, Fuel Tank (Spec 38018), **28**
Shim, Balancer Shaft, **8**
Shim, Camshaft, **9**
Shim, Crankshaft, **8**
Sleeve, Governor, **15**
Solenoid (Spec 34879), **29**
Solenoid (Spec 38018), **28**
Spacer, Dolly Clamp, **30**
Spacer, Idler (Spec 34879), **29**
Spacer, Idler (Spec 38018), **28**
Spacer, Ignition Coil, **7**
Spring, Relief Valve, **15**
Spring, Air Cleaner Latch, **19**
Spring, Brush, **20**
Spring, Decompression, **9**
Spring, Governor, **17**
Spring, Recoil Brake, **21**

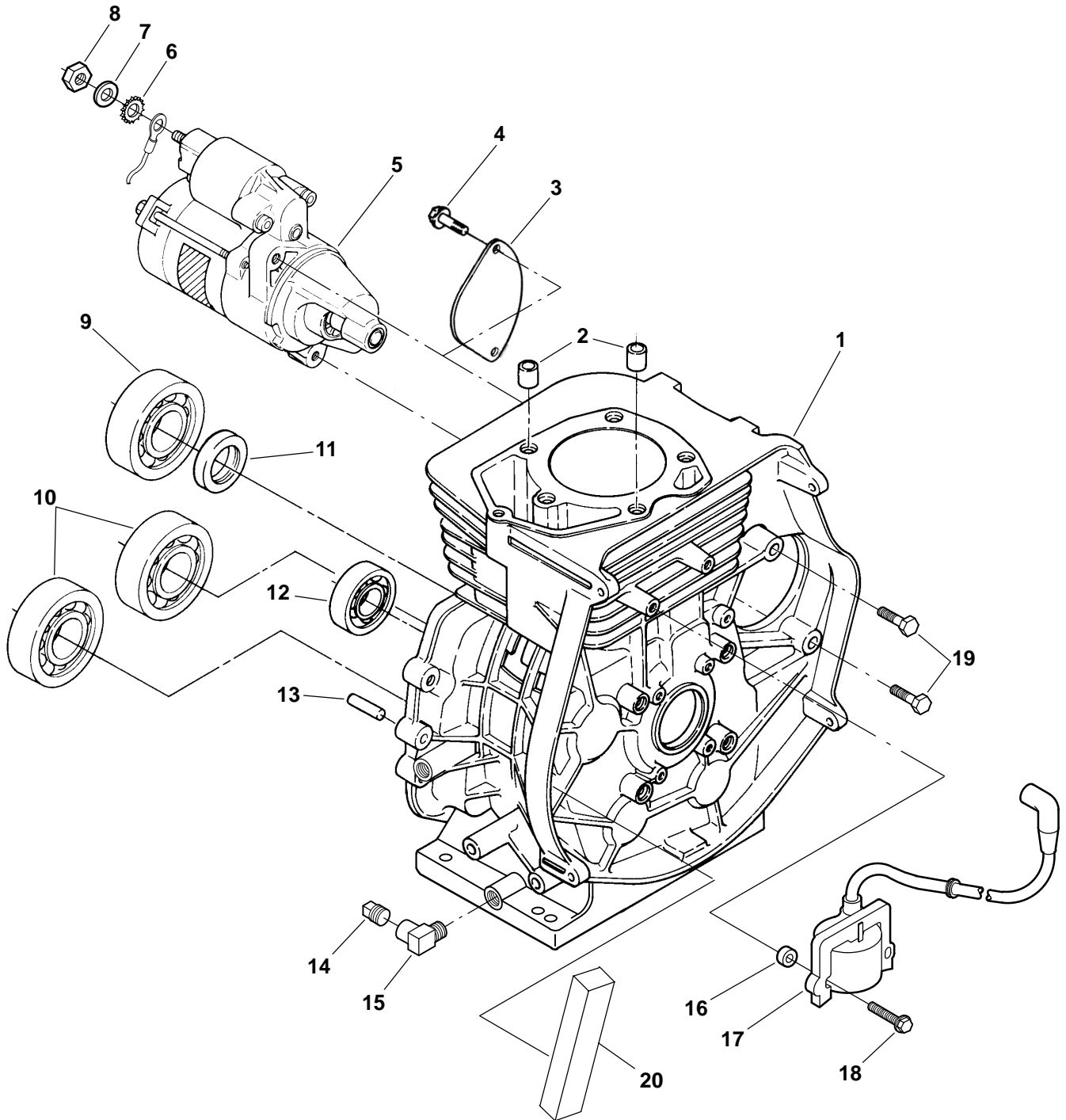
Spring, Recoil Dog, **21**
Spring, Recoil Spiral, **21**
Spring, Valve, **13**
Starter, **7**
Starter Assy, Recoil (Spec 11217, 11299), **21**
Starter Components, Electric, **20**
Starter, Recoil, **21**
Stator, **11**
Stator, 5KW Generator (Spec 34879), **27**
Stator, 5KW Generator (Spec 38018), **24**
Stator, 6KW Generator (Spec 34879, 38018), **25**
Strap, Ground (Spec 34879), **29**
Strap, Ground (Spec 38018), **28**
Strip, Foam, **7**
Support, Carburetor, **19**
Support, Channel (Spec 34879), **29**
Support, Channel (Spec 38018), **28**
Support, Oil Gauge, **15**
Switch, DPST On/Off (Spec 34879), **29**
Switch, DPST On/Off (Spec 38018), **28**
Switch, Full Power (Spec 38018), **28**
Switch, Magnetic, **20**
Switch, Oil Pressure, **15**
Switch, On/Off (Spec 34879), **29**
Switch, On/Off (Spec 38018), **28**

Tank, Fuel (Spec 34879), **29**
Tank, Fuel (Spec 38018), **28**
Tappet, **13**
Tie, Cable, **28, 29**
Tube, Breather, **19**
Tube, Foam Wrapped Breather, **19**
Tube, Oil Pickup, **15**

Valve, Fuel Shutoff (Spec 38018), **28, 29**
Valves, **13**

Wheel, Blower, **11**
Wheel, Dolly, **30**
Wrapper, Element, **19**

Cylinder Block

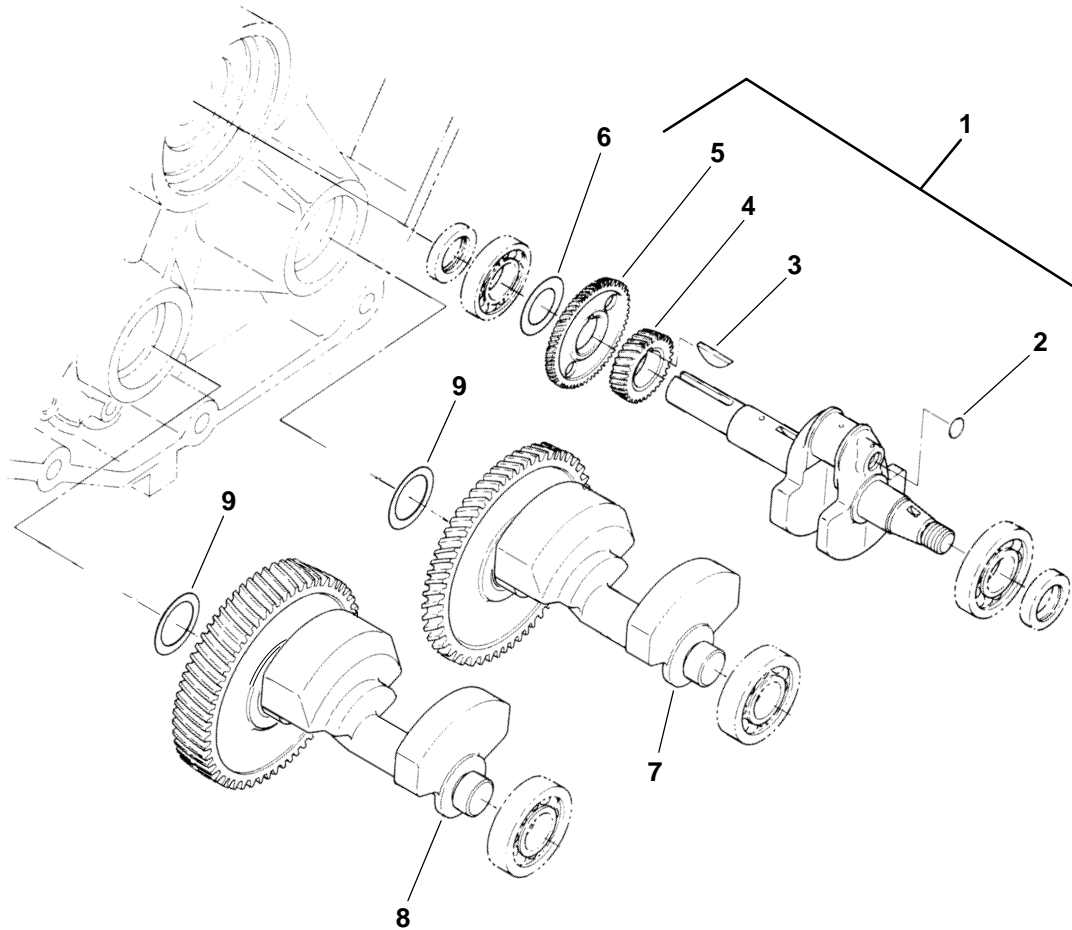


Cylinder Block

| REF NO. | PART NO. | QTY USED | PART DESCRIPTION | REF NO. | PART NO. | QTY USED | PART DESCRIPTION |
|---------|----------|----------|--|---------|-------------|----------|--|
| 1 | - | 1 | Block, Cylinder (See Short Block Catalog #932-0109) | 10 | 510-0163 | 2 | Bearing, Balancer Shaft |
| 2 | 110-3615 | 2 | Pin, Hollow Dowel | 11 | 509-0258 | 1 | Seal, Crankshaft Oil |
| 3 | 191-1924 | 1 | Cover, Starter Hole (Voltage Code AB) | 12 | 510-0162 | 1 | Bearing, Camshaft |
| 4 | 815-0384 | 2 | Screw, Hex Washer Head Thread Form (3/8-16 x 3/4") (Voltage Code AB) | 13 | 775-0074 | 2 | Pin, Alignment |
| 5 | 191-2107 | 1 | Starter (Voltage Code EB, EM) (See Separate Page for Components) | 14 | 502-0153 | 2 | Plug, Oil Drain |
| 6 | 853-0016 | 1 | Washer, ET Lock (5/16") (Voltage Code EB, EM) | 15 | 502-0054 | 1 | Elbow, 90° |
| 7 | 526-0115 | 1 | Washer, Flat (5/16") (Voltage Code EB, EM) | 16 | 166-0837 | 2 | Spacer, Ignition Coil (M6 x 30mm) |
| 8 | 750-1006 | 1 | Nut, Hex (M8 x 1.25) (Voltage Code EB, EM) | 17 | 166-0832 | 1 | Coil, Ignition |
| 9 | 510-0160 | 1 | Bearing, Crankshaft | 18 | 823-0003-07 | 2 | Screw, Pan Head (M6 x 1 x 30mm) |
| | | | | 19 | 718-1040 | 2 | Screw, Hex Head Cap (M8 x 1.25 x 40mm) |
| | | | | 20 | 233-1325 | 1 | *Strip, Foam |

* - Part of Breather Tube Kit Listed on Carburetor Page.

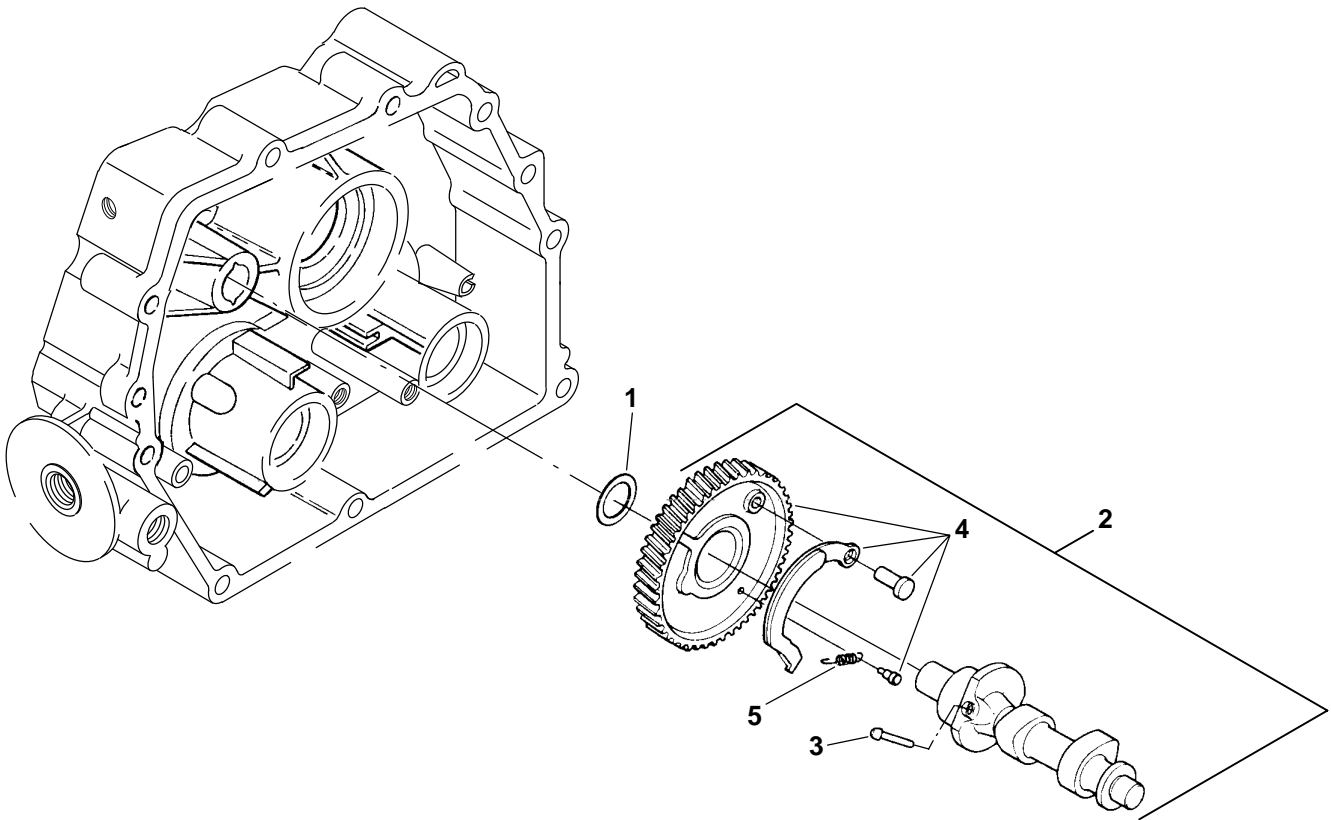
Crankshaft



| REF NO. | PART NO. | QTY USED | PART DESCRIPTION | REF NO. | PART NO. | QTY USED | PART DESCRIPTION |
|---------|-------------|----------|---|-------------|-------------|-------------|--|
| 1 | 104-1925-02 | 1 | Crankshaft Assy (Includes Parts Marked *) | 8 | 104-1816-03 | 1 | Shaft Assy, Balancer (Includes Gear) |
| 2 | 104-1718 | 1 | *Plug, Expansion | 9 | | | Shim, Balancer Shaft (Use as Required) |
| 3 | 515-0293 | 1 | *Key, Crankshaft Gear | 104-1809-01 | 1 | 0.5mm Thick | |
| 4 | 104-1856 | 1 | *Gear, Crankshaft | 104-1809-02 | 1 | 0.6mm Thick | |
| 5 | 104-1855 | 1 | *Gear, Balancer | 104-1809-03 | 1 | 0.7mm Thick | |
| 6 | | | Shim, Crankshaft (Use as Required) | 104-1809-04 | 1 | 0.8mm Thick | |
| | 104-1721-01 | 1 | 0.2mm Thick | 104-1809-05 | 1 | 0.9mm Thick | |
| | 104-1721-02 | 1 | 0.3mm Thick | 104-1809-06 | 1 | 1.0mm Thick | |
| | 104-1721-03 | 1 | 0.4mm Thick | 104-1809-07 | 1 | 1.2mm Thick | |
| | 104-1721-05 | 1 | 0.5mm Thick | | | | |
| | 104-1721-07 | 1 | 0.7mm Thick | | | | |
| | 104-1721-08 | 1 | 0.8mm Thick | | | | |
| 7 | 104-1816-04 | 1 | Shaft Assy, Balancer (Includes Gear) | | | | |

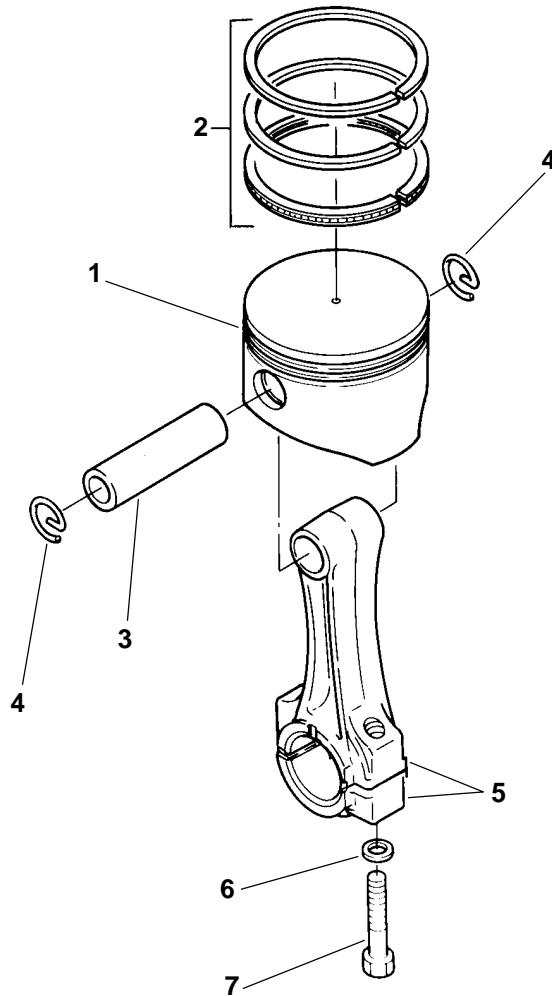
* - Parts Included in Crankshaft Assy.

Camshaft



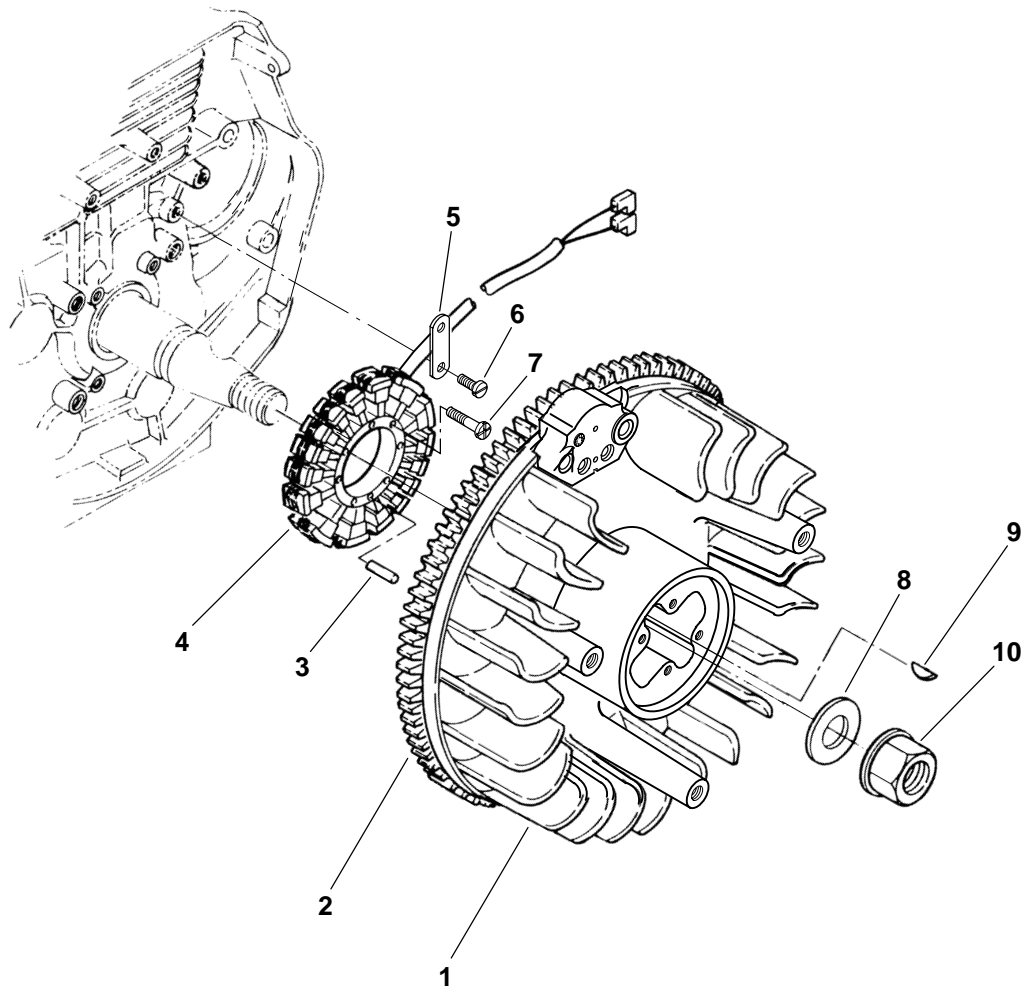
| sREF NO. | PART NO. | QTY USED | PART DESCRIPTION | REF NO. | PART NO. | QTY USED | PART DESCRIPTION |
|----------|-------------|----------|----------------------------------|---------|----------|----------|---|
| 1 | | | Shim, Camshaft (Use as Required) | 2 | 105-0719 | 1 | Camshaft Assy (Includes Pin, Camgear Assy and Spring) |
| | 105-0649-01 | 1 | 0.5mm Thick | 3 | 150-2304 | 1 | Pin, Decompression |
| | 105-0649-02 | 1 | 0.6mm Thick | 4 | 105-0716 | 1 | Camgear Assy (Includes Gear, Flyweight Shaft, Flyweight, and Pin) |
| | 105-0649-03 | 1 | 0.8mm Thick | 5 | 150-2303 | 1 | Spring, Decompression |
| | 105-0649-04 | 1 | 0.9mm Thick | | | | |
| | 105-0649-05 | 1 | 1.0mm Thick | | | | |
| | 105-0649-06 | 1 | 1.2mm Thick | | | | |

Piston



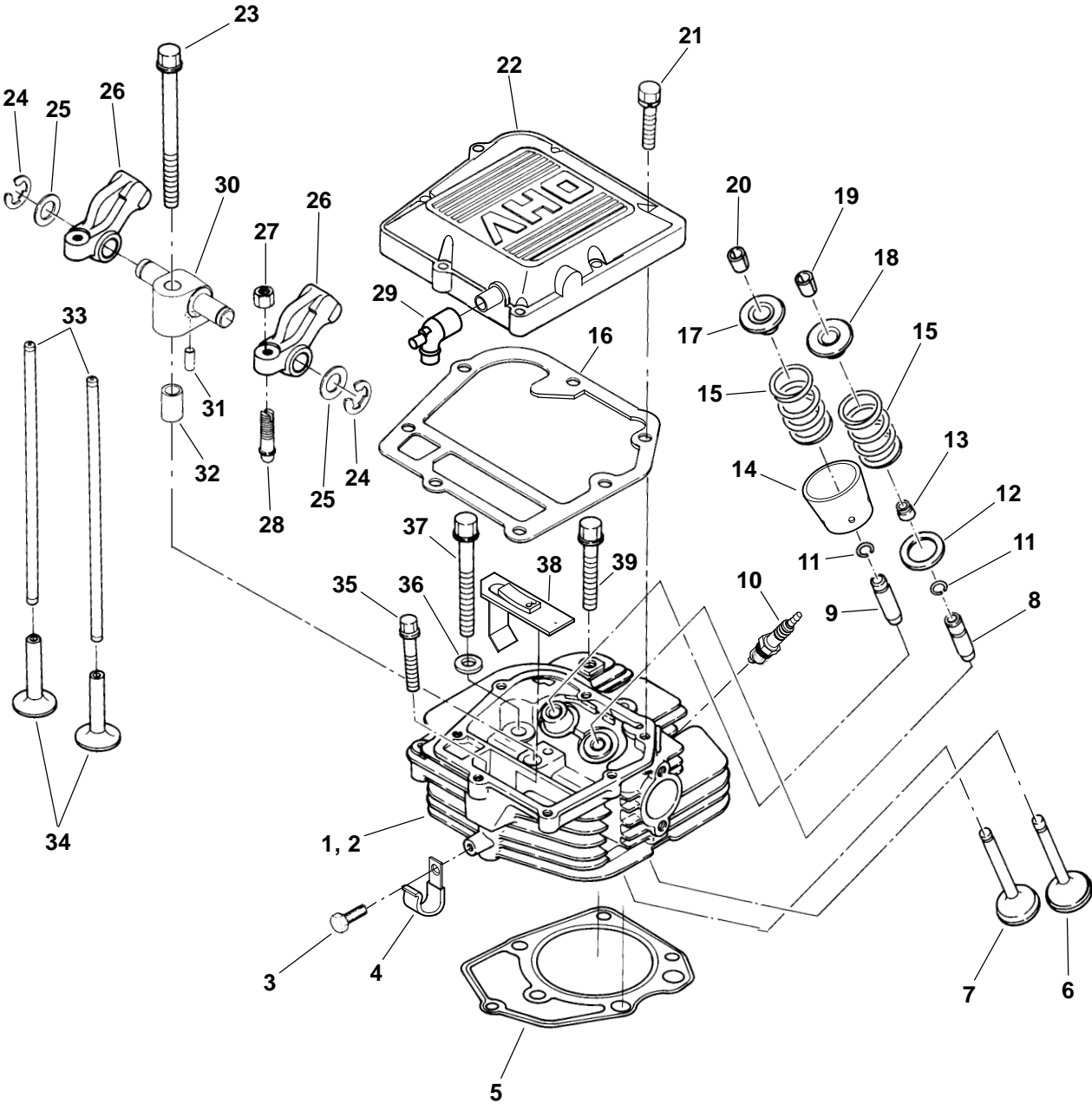
| REF NO. | PART NO. | QTY USED | PART DESCRIPTION | REF NO. | PART NO. | QTY USED | PART DESCRIPTION |
|---------|-------------|----------|--|---------|-------------|----------|----------------------------------|
| 1 | | | Piston (Includes Pin, Ring Set and Retaining Rings) | 3 | 112-0244 | 1 | Pin, Piston |
| | 112-0276 | 1 | Standard | 4 | 112-0245 | 2 | Ring, Retaining |
| | 112-0276-01 | 1 | .25mm Oversize | 5 | | | Rod, Connecting (Includes Bolts) |
| | 112-0276-02 | 1 | .50mm Oversize | | 114-0357 | 1 | Standard |
| 2 | | | Ring Set, Piston | | 114-0357-01 | 1 | .25mm Undersize |
| | 113-0330 | 1 | Standard | | 185-2627 | 1 | .50mm Undersize |
| | 113-0330-01 | 1 | .25mm Oversize | 6 | 114-0356 | 2 | Washer, Connecting Rod |
| | 113-0330-02 | 1 | .50mm Oversize | 7 | 114-0355 | 2 | Bolt, Connecting Rod |

Blower Wheel



| REF NO. | PART NO. | QTY USED | PART DESCRIPTION | REF NO. | PART NO. | QTY USED | PART DESCRIPTION |
|---------|-------------|----------|---|---------|-------------|----------|--|
| 1 | 134-5067-02 | 1 | Wheel Assy, Blower Voltage Code EB, EM (Includes Ring Gear) | 6 | 823-0003-02 | 1 | Screw, Pan Head (Voltage Code EB, EM) |
| | 134-5067-03 | 1 | Voltage Code AB | 7 | 815-0638-01 | 2 | Screw, Button Head Machine (M6 x 1 x 20mm) (Voltage Code EB, EM) |
| 2 | 134-4773 | 1 | Gear, Ring (Voltage Code EB, EM) | 8 | 526-0405 | 1 | Washer, Flat (M18) |
| 3 | 775-0061 | 2 | Pin, Alignment (Voltage Code EB, EM) | 9 | 515-0295 | 1 | Key |
| 4 | 191-1456-04 | 1 | Stator (Voltage Code EB, EM) | 10 | 870-2060 | 1 | Nut, Flange (M18 x 1.5) |
| 5 | 191-1967 | 1 | Clamp, Cord (Voltage Code EB, EM) | | | | |

Cylinder Head



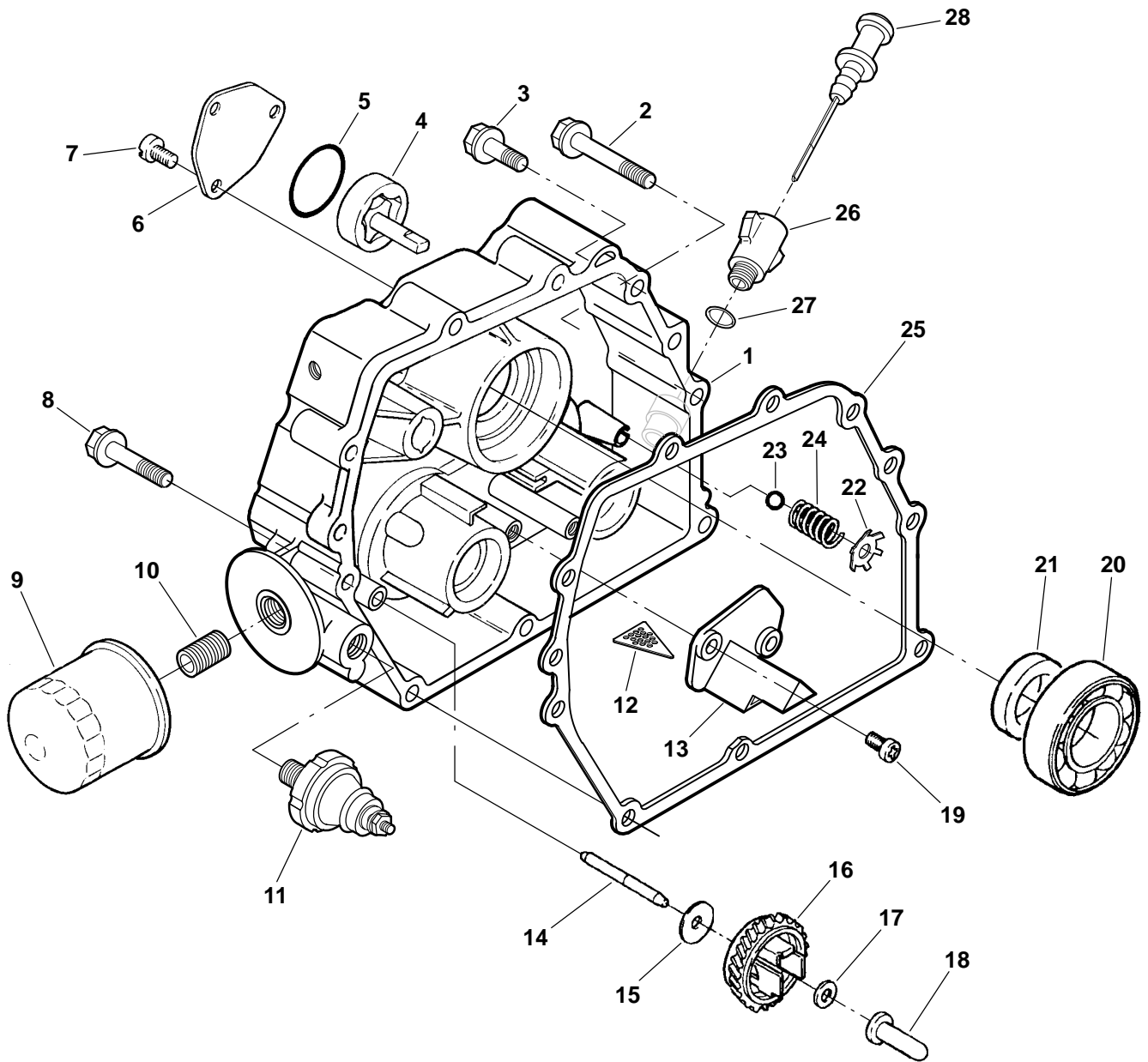
Cylinder Head

| REF NO. | PART NO. | QTY USED | PART DESCRIPTION | REF NO. | PART NO. | QTY USED | PART DESCRIPTION |
|---------|-------------|----------|--|---------|----------|----------|--|
| 1 | 110-3828-01 | 1 | Head Assy, Cylinder (Includes Parts Marked #) | 24 | 518-0566 | 2 | Clip, Retainer |
| 2 | 110-3710 | 1 | #Head, Cylinder (Includes Seats and Parts Marked +) | 25 | 115-0473 | 2 | Washer, Rocker Arm |
| 3 | 815-0753 | 1 | Bolt, Hex Head Cap (M6 x 14mm) | 26 | 115-0426 | 2 | Arm Assy, Rocker (Includes Nuts and Screws) |
| 4 | 518-0515 | 1 | Clip, Fuel Hose | 27 | 115-0428 | 2 | Nut, Lash Adjusting (M7 x .75) |
| 5 | 110-3591 | 1 | Gasket, Cylinder Head | 28 | 115-0427 | 2 | Screw, Lash Adjusting (M7 x .75 x 18mm) |
| 6 | 110-3578 | 1 | #Valve, Intake | 29 | 123-2030 | 1 | Connector, Breather Tube |
| 7 | 110-3579 | 1 | #Valve, Exhaust | 30 | 115-0429 | 1 | Shaft, Rocker Arm |
| 8 | 110-3693 | 1 | +Guide, Intake Valve | 31 | 516-2004 | 1 | Pin, Dowel |
| 9 | 110-3694 | 1 | +Guide, Exhaust Valve | 32 | 110-3615 | 1 | Pin, Hollow Dowel |
| 10 | 167-0263-02 | 1 | Plug, Spark | 33 | 115-0424 | 2 | Rod, Push |
| 11 | 110-3580 | 2 | +Ring, Valve Guide | 34 | 115-0423 | 2 | Tappet |
| 12 | 110-3587 | 1 | #Washer, Valve Spring | 35 | 110-3596 | 1 | Bolt, Cylinder Head (M8 x 1.25 x 50mm) |
| 13 | 110-3586 | 1 | #Seal, Intake Valve Stem | 36 | 740-1008 | 1 | Washer, Flat (M10) |
| 14 | 110-3898-01 | 1 | #Shield, Exhaust Valve | 37 | 110-3594 | 2 | Bolt, Cylinder Head (M10 x 1.5 x 86mm) |
| 15 | 110-3822 | 2 | #Spring, Valve | 38 | 123-2014 | 1 | Breather |
| 16 | 110-3830-01 | 1 | Gasket, Valve Cover | 39 | 110-3593 | 2 | Bolt, Cylinder Head (M10 x 1.5 x 66mm) |
| 17 | 110-3826 | 1 | #Retainer, Exhaust Valve Spring | | | | |
| 18 | 110-3825 | 1 | #Retainer, Intake Valve Spring | | | | |
| 19 | 110-3827 | 2 | #Lock, Intake Valve | | | | |
| 20 | 110-3584 | 2 | #Lock, Exhaust Valve | | | | |
| 21 | 800-3026 | 7 | Screw, Hex Head Flange (M6 x 1 x 25mm) | | | | |
| 22 | 110-3863-04 | 1 | Cover, Valve | | | | |
| 23 | 110-3595 | 1 | Bolt, Cylinder Head (M10 x 1.5 x 125mm) | | | | |

– Parts Included in Cylinder Head Assy.

+ – Parts Included in Cylinder Head.

Gearcase

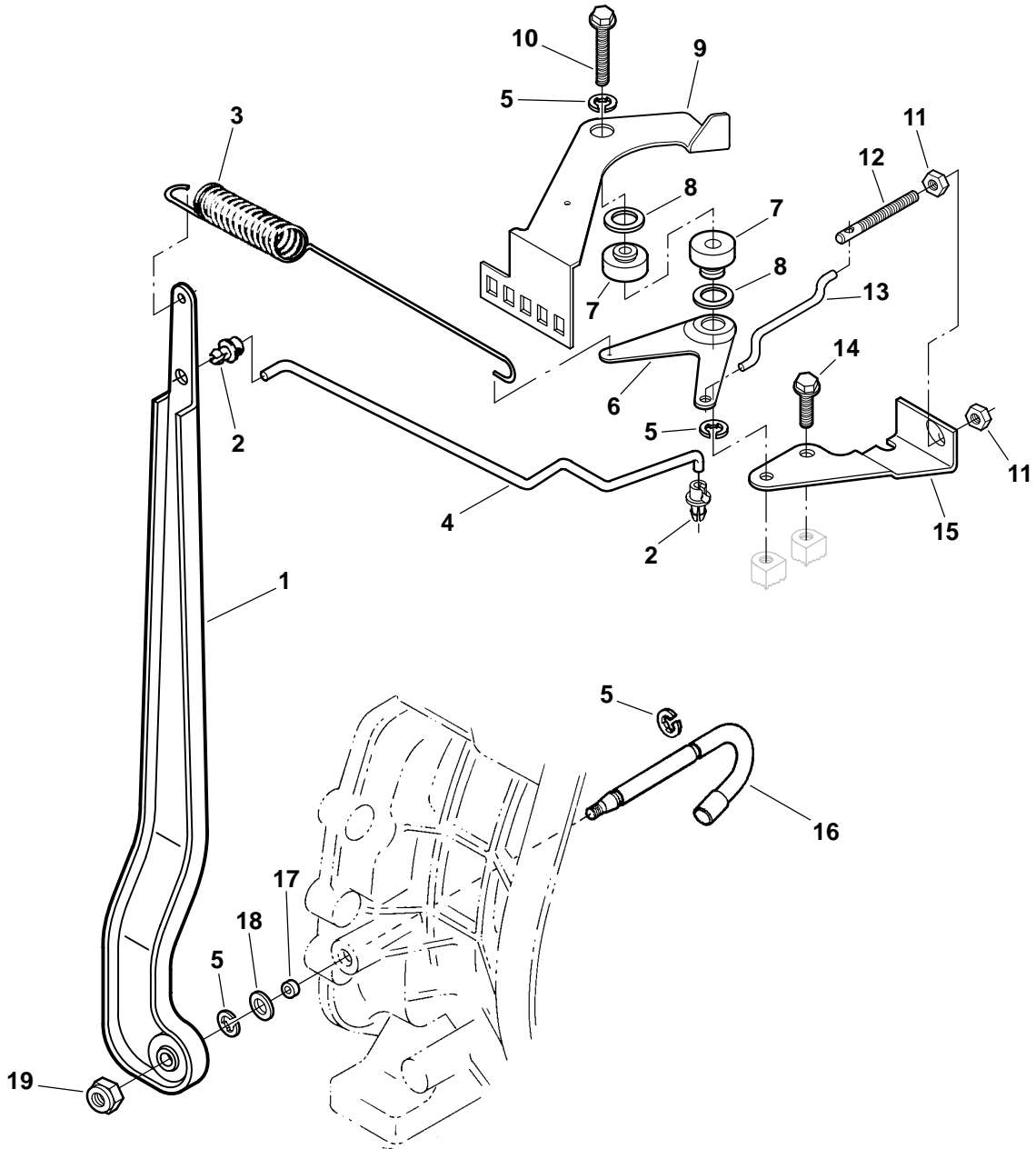


Gearcase

| REF NO. | PART NO. | QTY USED | PART DESCRIPTION | REF NO. | PART NO. | QTY USED | PART DESCRIPTION |
|---------|-------------|----------|---|---------|-------------|----------|---|
| 1 | 103-0821 | 1 | Gearcase | 14 | 775-0069 | 1 | Shaft, Governor |
| 2 | 815-0829-03 | 1 | Screw, Hex Head Flanged Thread Forming (M8 x 1.25 x 70mm) | 15 | 526-2078 | 1 | Washer, Flat (Special) |
| 3 | 815-0829-01 | 1 | Screw, Hex Head Flanged Thread Forming (M8 x 1.25 x 35mm) | 16 | 150-2272 | 1 | Gear, Governor (Includes Shafts and Weights) |
| 4 | 120-1313 | 1 | Pump, Oil | 17 | 150-2547 | 1 | Retainer, Governor Gear |
| 5 | 509-0253 | 1 | O'Ring | 18 | 150-2530 | 1 | Sleeve, Governor |
| 6 | 120-1299-02 | 1 | Cover, Oil Pump (M6 x 1 x 14mm) | 19 | 823-0003-02 | 2 | Screw, Torx Drive Pan Head (M6 x 1 x 14mm) |
| 7 | 823-0003-05 | 3 | Screw, Pan Head Torx Drive (M6 x 1 x 14mm) | 20 | 510-0160 | 1 | Bearing, Crankshaft |
| 8 | 815-0829-02 | 7 | Screw, Hex Head Flanged Thread Forming (M8 x 1.25 x 50mm) | 21 | 509-0258 | 1 | Seal, Crankshaft Oil |
| 9 | 122-0737-03 | 1 | Filter, Oil | 22 | 518-0560 | 1 | Ring, Retaining |
| 10 | 122-0475 | 1 | Adapter, Oil Filter | 23 | 510-0043 | 1 | Ball, Steel (5/16" OD) |
| 11 | 309-0640 | 1 | Switch, Oil Pressure (S1) | 24 | 120-0140 | 1 | Spring, Relief Valve |
| 12 | 120-1298 | 1 | Screen, Oil Pickup | 25 | 110-3833 | 1 | Gasket, Gearcase |
| 13 | 120-1295 | 1 | Tube, Oil Pickup | 26 | 123-1841 | 1 | Support, Oil Gauge |
| | | | | 27 | 509-0254 | 1 | O'Ring |
| | | | | 28 | 123-2056 | 1 | Gauge, Oil |

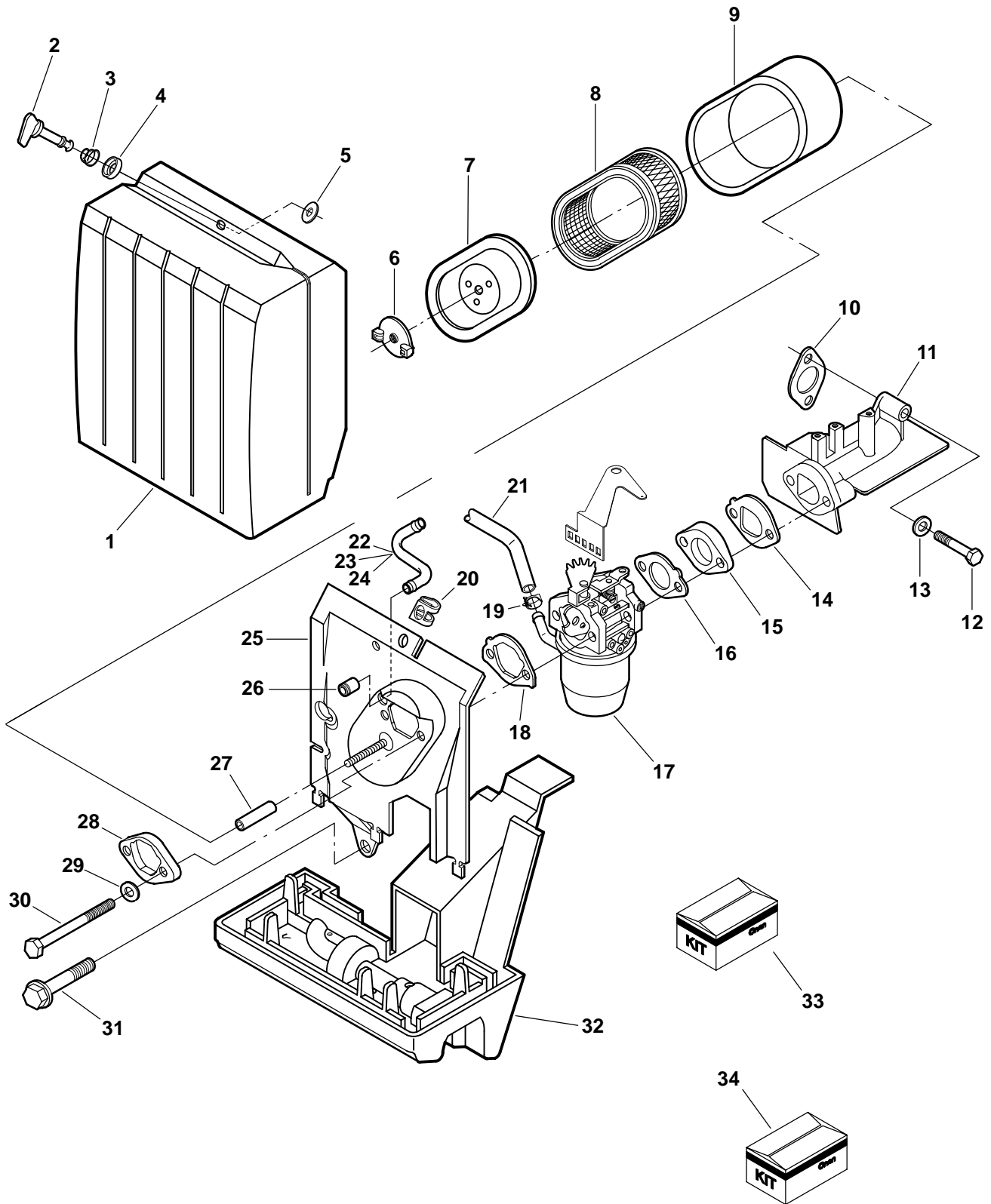
* - Parts Included in Choke Lever Assy.

Governor



| REF NO. | PART NO. | QTY USED | PART DESCRIPTION | REF NO. | PART NO. | QTY USED | PART DESCRIPTION |
|---------|-------------|----------|---|---------|-------------|----------|--|
| 1 | 150-2660-02 | 1 | Lever, Governor | 11 | 870-0131 | 2 | Nut, Hex Self Locking (10-32) |
| 2 | 152-0343 | 2 | Clip, Link | 12 | 150-0096 | 1 | Stud, Governor Adjust |
| 3 | 150-2650 | 1 | Spring, Governor 60 Hz (Yellow Zinc) | 13 | 152-0365-02 | 1 | Link, Throttle Adjust |
| | 150-2657 | 1 | 50 Hz (Black Zinc) | 14 | 815-0793-04 | 1 | Screw, Hex Flange (M5 x 0.8 x 16mm) |
| 4 | 152-0332 | 1 | Link, Throttle | 15 | 152-0363-02 | 1 | Bracket, Throttle Adjust |
| 5 | 518-0576 | 4 | Circlip | 16 | 150-2529 | 1 | Shaft, Governor Lever |
| 6 | 152-0364-02 | 1 | Lever, Control | 17 | 509-0255 | 1 | Seal, Governor Shaft Lever |
| 7 | 145-0697 | 2 | Pivot, Lever | 18 | 740-1006 | 1 | Washer, Flat (M8) |
| 8 | 851-0042 | 2 | Washer, Wave Spring (M5) | 19 | 870-0506 | 1 | Nut, Nylon Lock (M6 x 1) |
| 9 | 153-0657-03 | 1 | Lever, Choke | | | | |
| 10 | 815-0793-07 | 1 | Screw, Hex Flange (M5 x 0.8 x 30mm) | | | | |

Carburetor

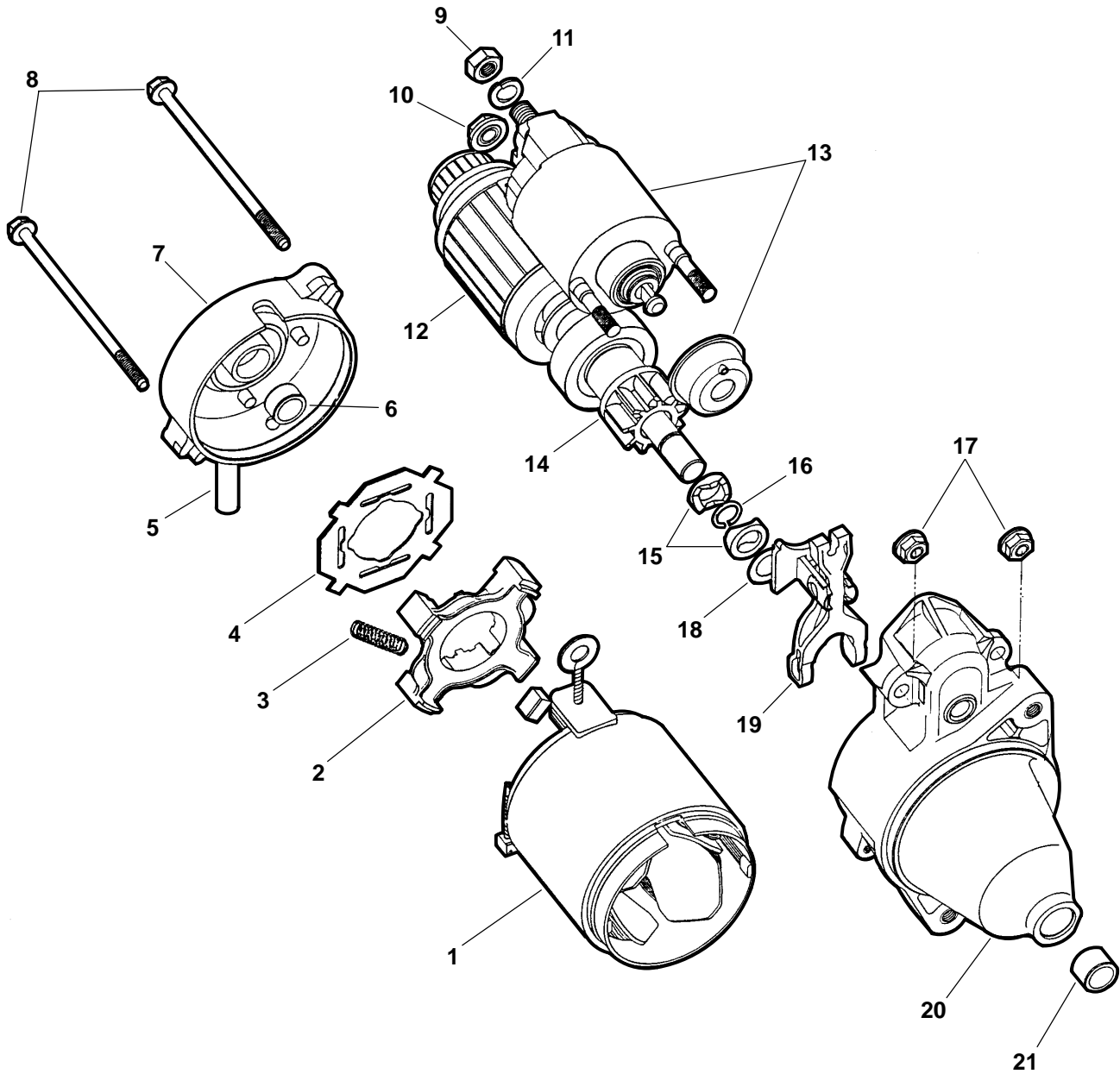


Carburetor

| REF NO. | PART NO. | QTY USED | PART DESCRIPTION | REF NO. | PART NO. | QTY USED | PART DESCRIPTION |
|---------|-------------|----------|--|---------|-------------|----------|---|
| 1 | 140-2749 | 1 | Cover, Air Cleaner | 23 | 123-2031 | 1 | Tube, Breather |
| 2 | 406-0748 | 1 | Fastener, 1/4 Turn | 24 | 123-2123 | 1 | Insulation, Tube |
| 3 | 406-0751 | 1 | Spring | 25 | 140-2765-02 | 1 | Pan, Air Cleaner |
| 4 | 406-0750 | 1 | Retainer | 26 | 508-1094 | 1 | Grommet |
| 5 | 406-0749 | 1 | Washer, Nylon (Special) | 27 | 140-2536-05 | 1 | Seal, Air Cleaner Spacer (.625") |
| 6 | 865-0029 | 1 | Nut, Wing (1/4-20) | 28 | 145-0694 | 1 | Support, Carburetor |
| 7 | 140-2674-01 | 1 | Cover, Air Filter | 29 | 740-1004 | 2 | Washer, Flat (M6) |
| 8 | 140-2672 | 1 | Filter, Air | 30 | 815-0816-01 | 2 | Screw, Hex Head Thread Forming (M6 x 1 x 90mm) |
| 9 | 140-2748 | 1 | Wrapper, Air Filter | 31 | 815-0829-04 | 1 | Screw, Hex Head Flange Thread Forming (M8 x 1.25 x 16mm) |
| 10 | 146-0584-01 | 1 | Gasket, Intake | | | | Duct, Air Inlet |
| 11 | 154-2871 | 1 | Elbow, Intake | 32 | 140-2999 | 1 | Jet, Altitude (Used OUTSIDE State of California ONLY) |
| 12 | 800-2063 | 2 | Screw, Hex Head Cap (M8 x 1.25 x 50mm) | 33 | 146-0704 | 1 | Kit, Breather Tube (Includes Foam Wrapped Breather Tube and Foam Strip Marked on Cylinder Block Page) |
| 13 | 526-0115 | 2 | Washer, Flat (M8) | 34 | 123-2125 | 1 | |
| 14 | 146-0599 | 1 | *Gasket, Insulator | | | | |
| 15 | 146-0532 | 1 | Insulator, Carburetor | | | | |
| 16 | 146-0600 | 1 | *Gasket, Insulator | | | | |
| 17 | 146-0701 | 1 | Carburetor (Includes Gaskets Marked *) | | | | |
| 18 | 140-2771 | 1 | *Gasket, Air Cleaner | | | | |
| 19 | 503-0731 | 1 | Clamp, Hose | | | | |
| 20 | 406-0747 | 1 | Receptacle, Fastener (740mm) | | | | |
| 21 | 503-1976 | 1 | Hose, Fuel Inlet | | | | |
| 22 | 123-2124 | 1 | Tube, Foam Wrapped Breather (Includes Tube and Insulation) | | | | |

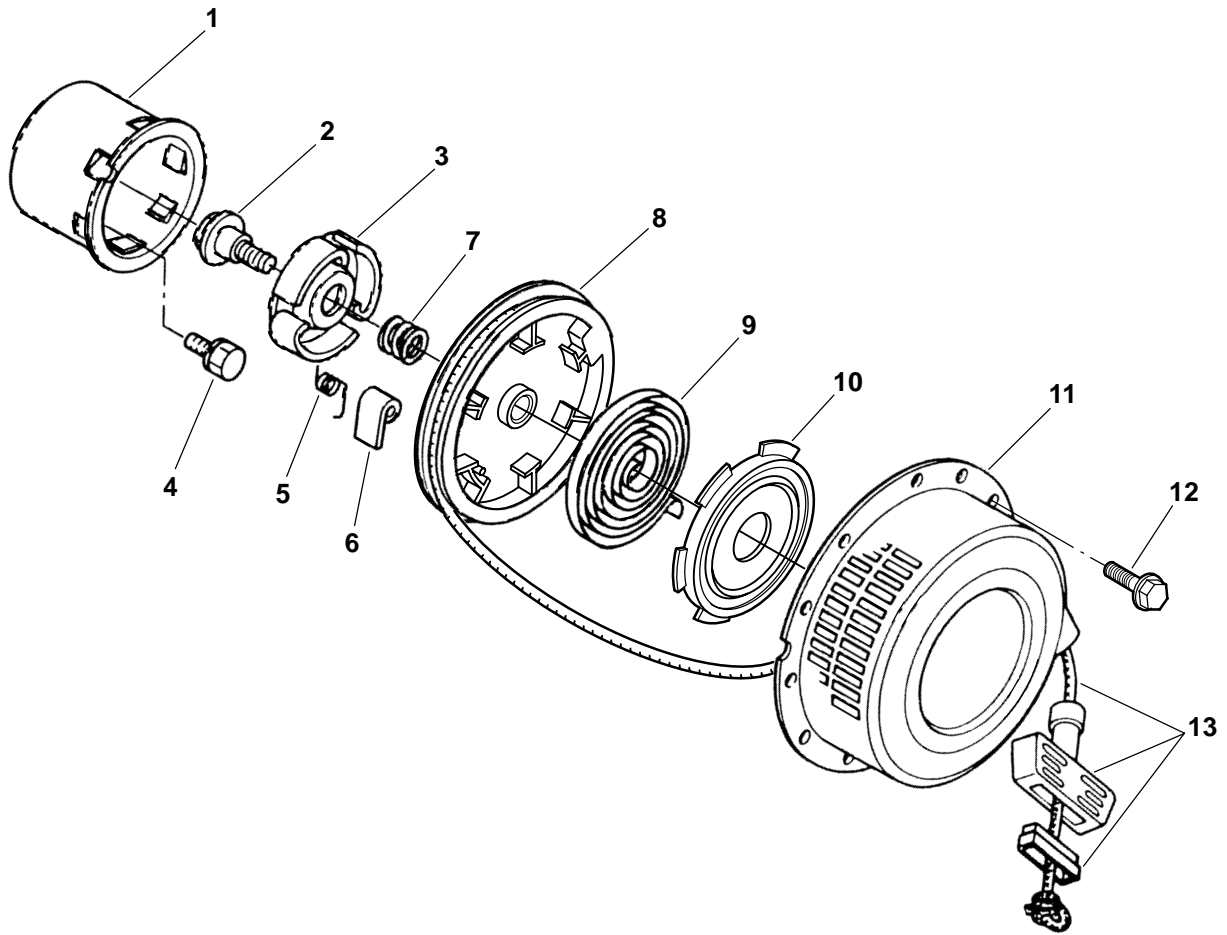
* - Included with Carburetor

Electric Starter Components



| REF NO. | PART NO. | QTY USED | PART DESCRIPTION | REF NO. | PART NO. | QTY USED | PART DESCRIPTION |
|---------|----------|----------|---|---------|----------|----------|----------------------|
| | 191-2107 | 1 | Starter | 11 | 185-2381 | 1 | Washer, Spring |
| 1 | 185-2659 | 1 | Frame, Starter | 12 | 185-6381 | 1 | Armature, Starter |
| 2 | 185-2661 | 1 | Holder, Brush | 13 | 185-2658 | 1 | Switch, Magnetic |
| 3 | 185-2662 | 4 | Spring, Brush | 14 | 185-6382 | 1 | Clutch |
| 4 | 185-2664 | 1 | Insulator | 15 | 185-6385 | 2 | Nut, Pinion Stop |
| 5 | 185-2965 | 1 | Hose, Drain | 16 | 185-6386 | 1 | Ring, Snap |
| 6 | 185-2663 | 1 | Bearing, Oilless | 17 | 185-2334 | 2 | Nut |
| 7 | 185-6383 | 1 | Frame Assy, End (Includes Cover and Oil Less Bearing) | 18 | 185-6387 | 1 | Washer, Plate |
| 8 | 185-2660 | 2 | Bolt, Through | 19 | 185-2656 | 1 | Lever, Starter Drive |
| 9 | 185-2367 | 1 | Nut | 20 | 185-2706 | 1 | Housing, Starter |
| 10 | 870-0465 | 1 | Nut | 21 | 185-6384 | 1 | Bearing, Oilless |

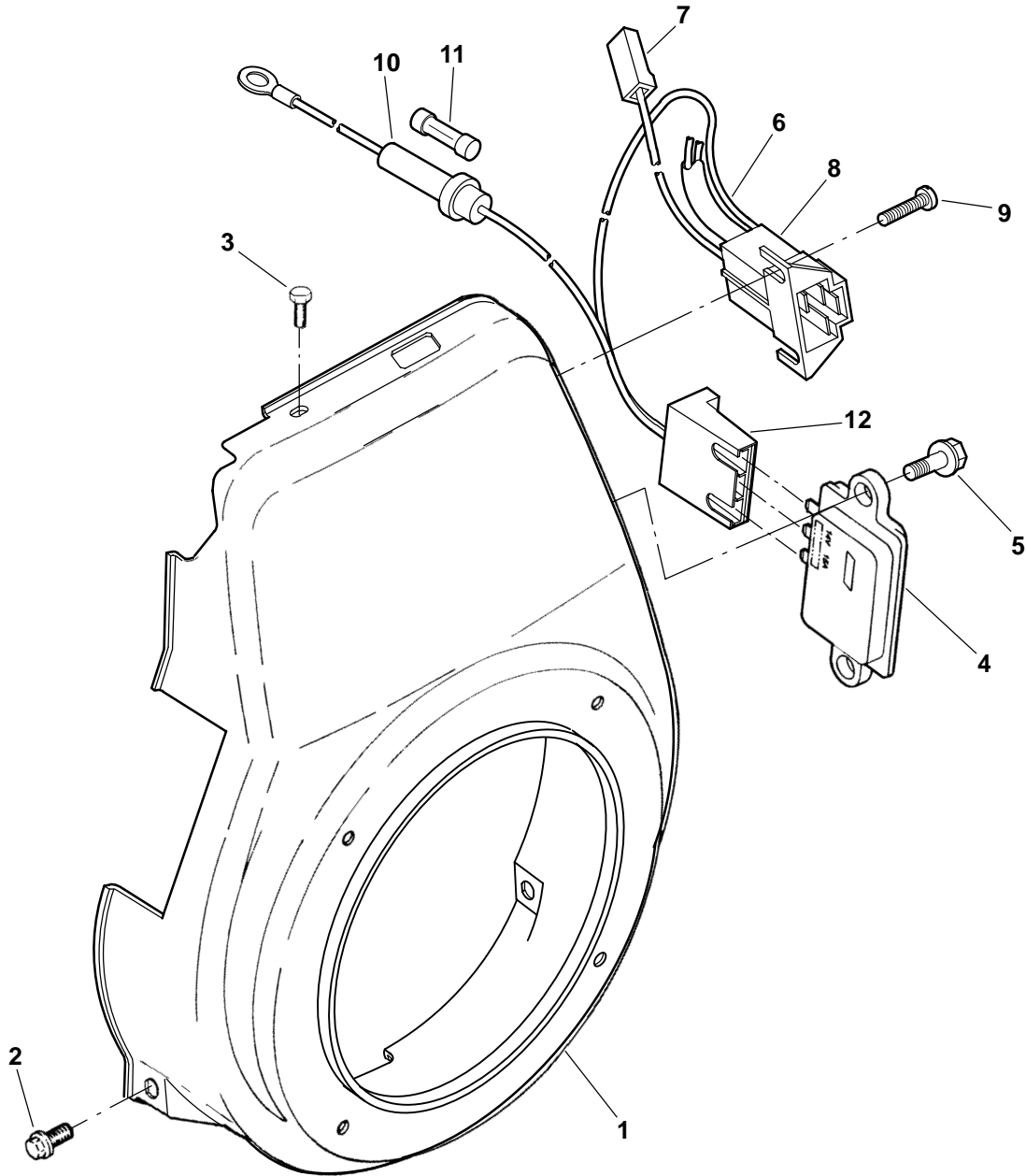
Recoil Starter



| REF NO. | PART NO. | QTY USED | PART DESCRIPTION | REF NO. | PART NO. | QTY USED | PART DESCRIPTION |
|---------|----------|----------|--|---------|----------|----------|--|
| | 192-0433 | 1 | Starter Assy, Recoil (Includes Parts Marked *) | 8 | 185-2718 | 1 | *Reel |
| 1 | 192-0443 | 1 | *Pulley, Crank | 9 | 185-2719 | 1 | *Spring, Spiral |
| 2 | 185-5289 | 1 | *Screw, Center | 10 | 192-0442 | 1 | *Case, Spring |
| 3 | 185-2767 | 1 | *Retainer | 11 | 185-2717 | 1 | *Case, Recoil |
| 4 | 821-2045 | 3 | Screw, Self-Locking Hex Head Flange (M8 x 1.25 x 16mm) | 12 | 815-0773 | 4 | Bolt, Flanged (M6 x 1 x 8mm) |
| 5 | 185-2942 | 3 | *Spring, Dog | 13 | 185-3681 | 1 | *Handle Assy (Includes Handle, Rope and Reinforcement) |
| 6 | 185-2889 | 3 | *Dog | | | | |
| 7 | 185-2768 | 1 | *Spring, Brake | | | | |

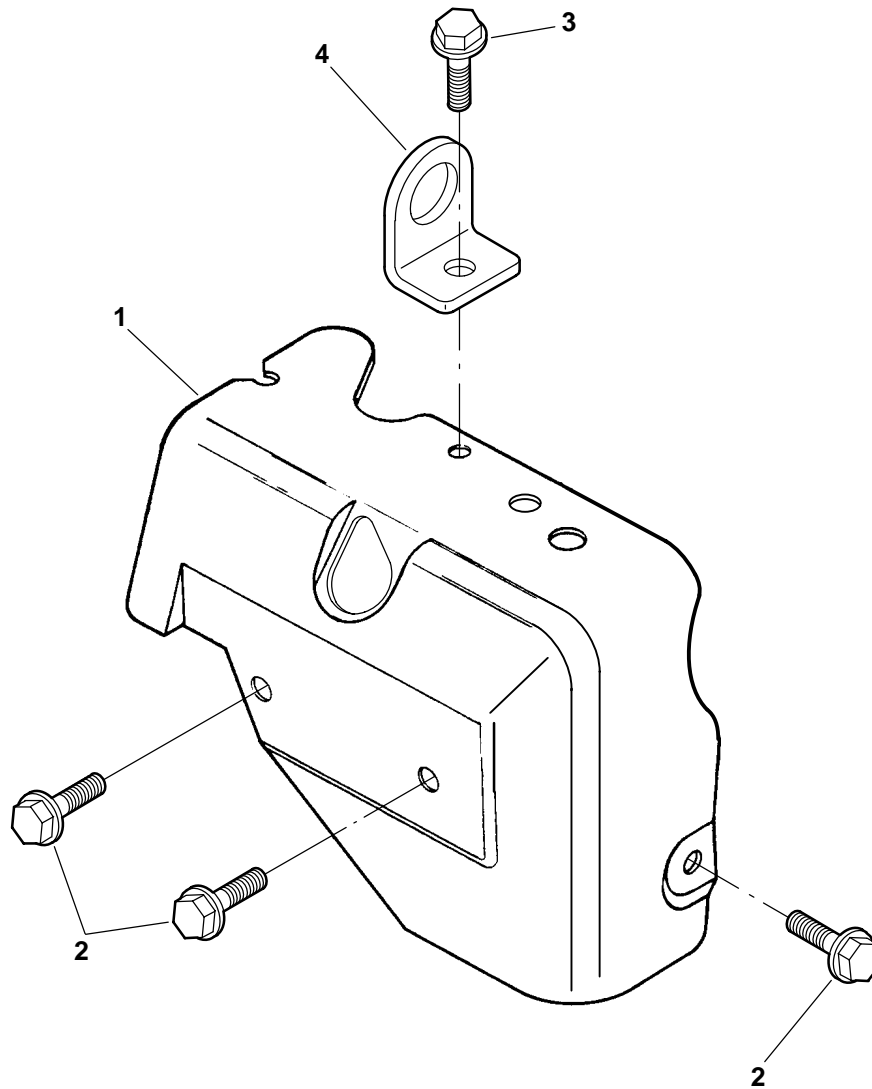
* - Parts Included in Starter Assy.

Blower Housing



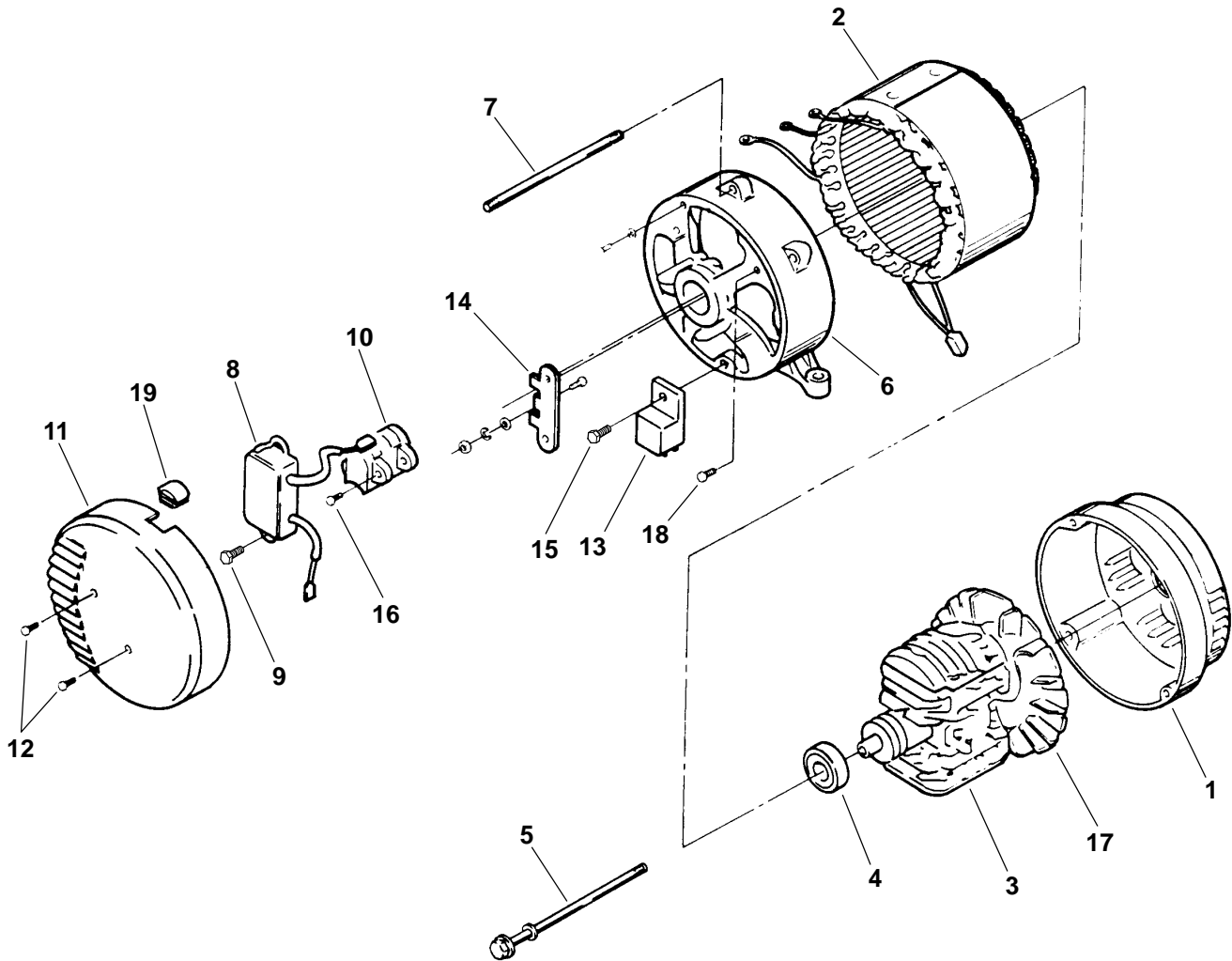
| REF NO. | PART NO. | QTY USED | PART DESCRIPTION | REF NO. | PART NO. | QTY USED | PART DESCRIPTION |
|---------|-------------|----------|--|---------|-------------|----------|--|
| 1 | 134-5024-03 | 1 | Housing, Blower Voltage Code AB | 6 | 338-3289 | 1 | Harness, Engine Wiring Voltage Code AB (Includes Parts Marked *) |
| | 134-5024-04 | 1 | Voltage Code EB, EM | | 338-3315 | 1 | Voltage Code EB, EM (Includes Parts Marked °) |
| 2 | 821-2033 | 3 | Screw, Hex Washer Locking Head (M6 x 1 x 16mm) | 7 | 323-1216 | 1 | °Housing, Receptacle |
| 3 | 815-0753 | 1 | Bolt, Hex Head Cap (M6 x 14mm) | 8 | 323-1585 | 1 | °Body, Connector |
| 4 | 191-1970 | 1 | Regulator, Voltage (VR1) (Voltage Code EB, EM) | 9 | 823-0002-04 | 2 | Screw, Pan Head Torx |
| 5 | 815-0474 | 2 | Screw, Hex Washer Head Sheet Metal (1/4-14 x 1/2") (Voltage Code EB, EM) | 10 | 321-0084 | 1 | °Holder, Fuse |
| | | | | 11 | 321-0254 | 1 | °Fuse, 20A |
| | | | | 12 | 323-1604 | 1 | *°Body, Connector |

Air Cylinder Housing



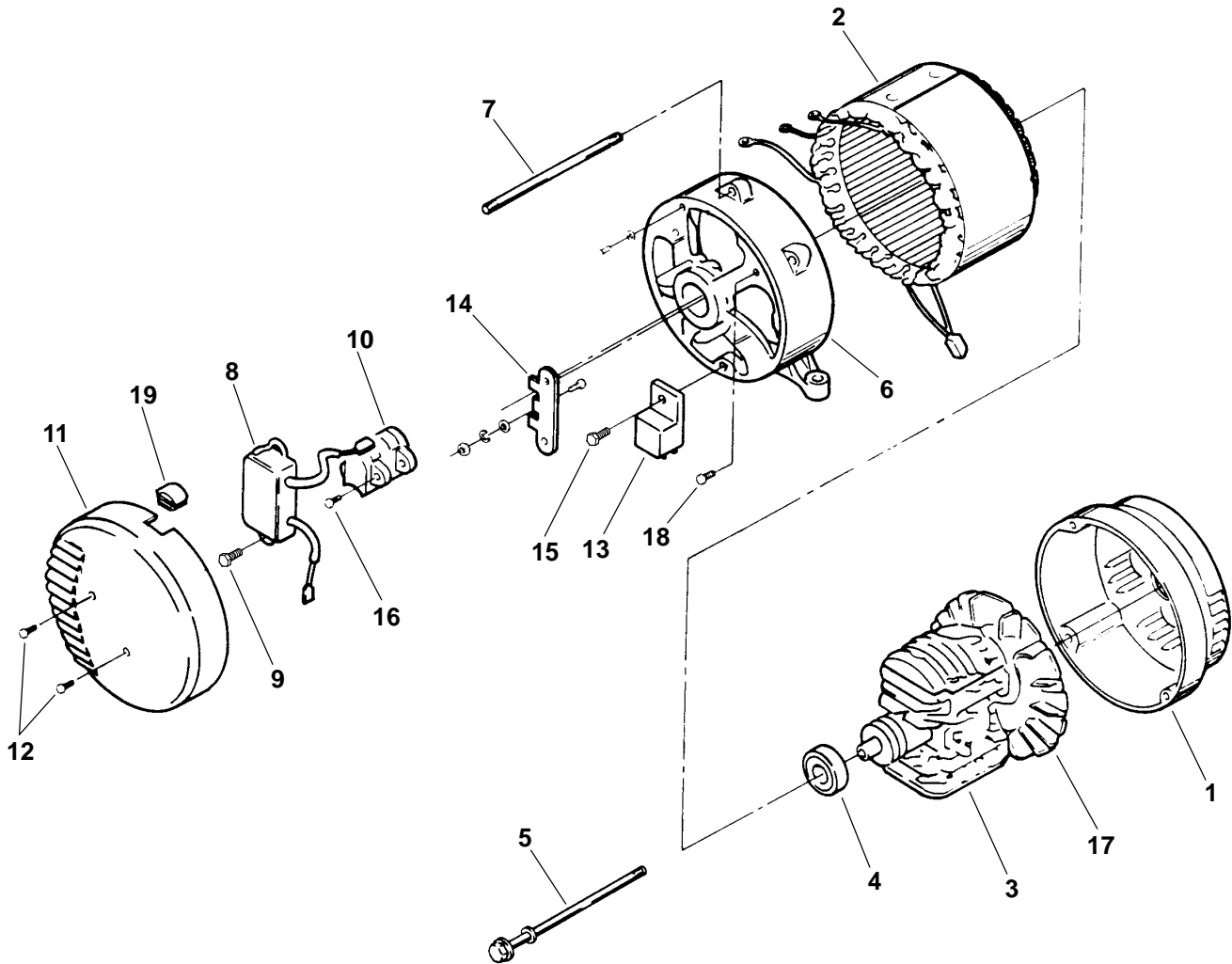
| REF NO. | PART NO. | QTY USED | PART DESCRIPTION | REF NO. | PART NO. | QTY USED | PART DESCRIPTION |
|---------|-------------|----------|--|---------|-------------|----------|------------------------------------|
| 1 | 134-4991-02 | 1 | Housing, Air Cylinder | 3 | 821-2033 | 1 | Screw, Flange Lock (M6 x 1 x 16mm) |
| 2 | 815-0829-04 | 3 | Screw, Hex Head Thread Forming Flange (M8 x 1.25 x 16mm) | 4 | 403-1523-01 | 1 | Bracket, Lift |

**Generator
5.0 KW
(Spec 38018)**



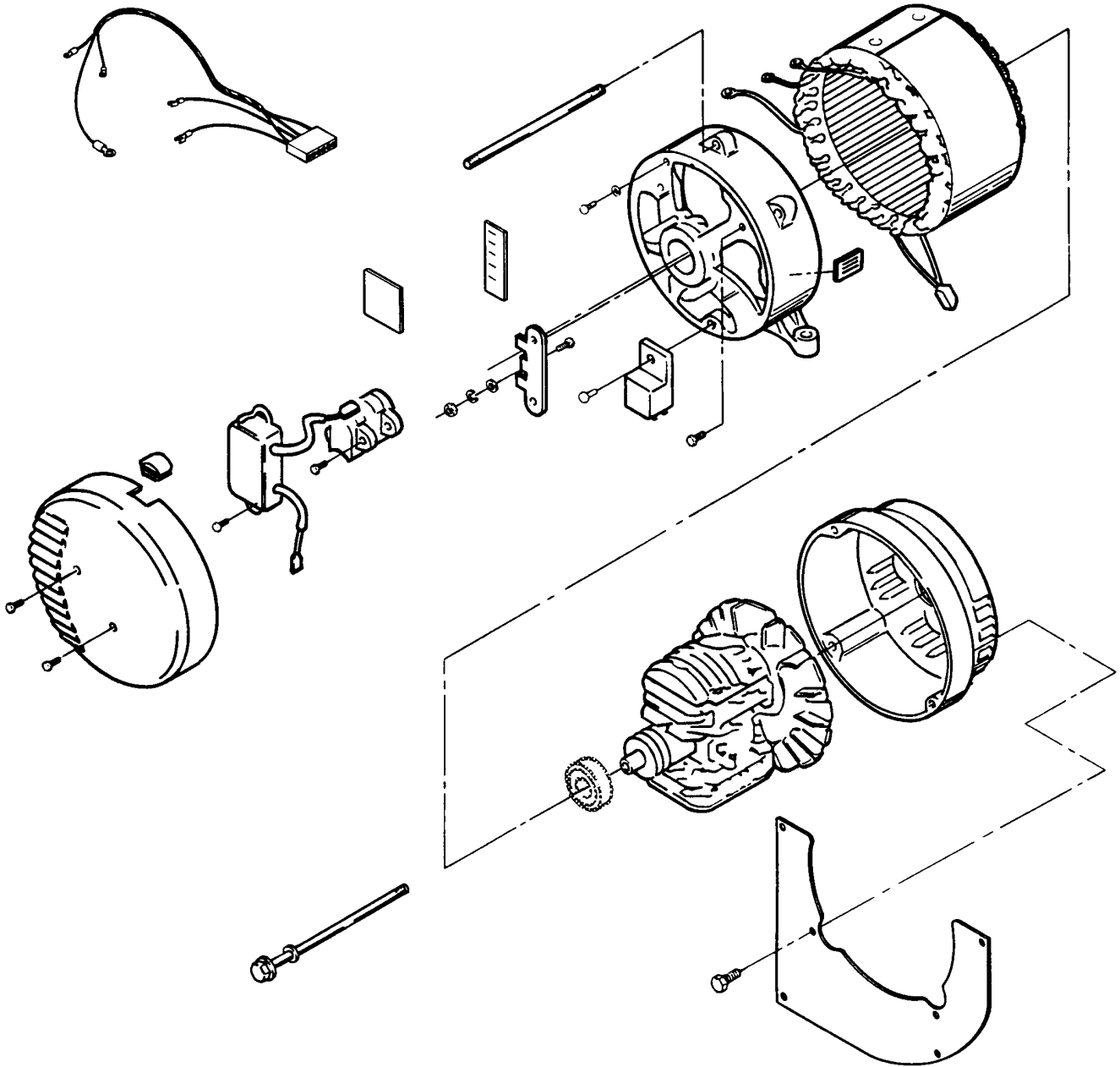
| REF NO. | PART NO. | QTY USED | PART DESCRIPTION | REF NO. | PART NO. | QTY USED | PART DESCRIPTION |
|---------|----------|----------|------------------------------|---------|----------|----------|---------------------|
| | 249-5072 | 1 | Generator | 10 | 249-0716 | 1 | Holder, Brush |
| 1 | 249-0799 | 1 | Adapter | 11 | 249-0717 | 1 | Cover, Endbell |
| 2 | 249-0730 | 1 | Stator | 12 | 249-0718 | 2 | Bolt, Endbell Cover |
| 3 | 249-0733 | 1 | Rotor | 13 | 185-5005 | 1 | Diode |
| 4 | 249-0712 | 1 | Bearing, Ball | 14 | 249-0801 | 1 | Terminal Assy |
| 5 | 249-0736 | 1 | Bolt, Rotor Mount | 15 | 249-0720 | 1 | Screw, Diode |
| 6 | 249-0713 | 1 | Endbell | 16 | 249-0722 | 1 | Screw, Brush Holder |
| 7 | 249-0739 | 4 | Bolt, Stator Mount | 17 | 249-0723 | 1 | Fan, Rotor |
| 8 | 249-0715 | 1 | Regulator, Automatic Voltage | 18 | 249-0724 | 1 | Screw, Earth |
| 9 | 249-0714 | 7 | Screw, Regulator Mount | 19 | 249-0725 | 1 | Bushing, Rubber |

**Generator
6.0 KW
(Spec 34879, 38018)**



| REF NO. | PART NO. | QTY USED | PART DESCRIPTION | REF NO. | PART NO. | QTY USED | PART DESCRIPTION |
|---------|----------|----------|------------------------------|---------|----------|----------|---------------------|
| | 249-5073 | 1 | Generator | 10 | 249-0716 | 1 | Holder, Brush |
| 1 | 249-0799 | 1 | Adapter | 11 | 249-0717 | 1 | Cover, Endbell |
| 2 | 249-0731 | 1 | Stator | 12 | 249-0718 | 2 | Bolt, Endbell Cover |
| 3 | 249-0734 | 1 | Rotor | 13 | 185-5005 | 1 | Diode |
| 4 | 249-0712 | 1 | Bearing, Ball | 14 | 249-0801 | 1 | Terminal Assy |
| 5 | 249-0737 | 1 | Bolt, Rotor Mount | 15 | 249-0720 | 1 | Screw, Diode |
| 6 | 249-0713 | 1 | Endbell | 16 | 249-0722 | 1 | Screw, Brush Holder |
| 7 | 249-0740 | 4 | Bolt, Stator Mount | 17 | 249-0723 | 1 | Fan, Rotor |
| 8 | 249-0715 | 1 | Regulator, Automatic Voltage | 18 | 249-0724 | 1 | Screw, Earth |
| 9 | 249-0714 | 7 | Screw, Regulator Mount | 19 | 249-0725 | 1 | Bushing, Rubber |

**Generator
5.0 KW
(Spec 34879)**



**Generator
5.0 KW
(Spec 34879)**

| REF NO. | PART NO. | QTY USED | PART DESCRIPTION | REF NO. | PART NO. | QTY USED | PART DESCRIPTION |
|---------|----------|----------|---------------------------------------|---------|----------|----------|------------------------------|
| | 249-0193 | 1 | Generator | 13 | 249-0745 | 1 | Plate |
| 1 | 249-0734 | 1 | Rotor | 14 | 249-0720 | 7 | Screw, Plate (M5 x 12mm) |
| 2 | 249-0711 | 1 | Adapter | 15 | 249-0723 | 1 | Fan, Rotor |
| 3 | 249-0713 | 1 | Endbell | 16 | 249-0746 | 2 | Plate |
| 4 | 249-0717 | 1 | Cover, Endbell | 17 | 249-0724 | 1 | Screw, Ground (M5 x 12mm) |
| 5 | 249-0740 | 1 | Bolt, Stator Mounting (M6 x 165mm) | 18 | 249-0747 | 4 | Bolt, Terminal (M5 x 20mm) |
| 6 | 249-0715 | 1 | Regulator, Automatic Voltage | 19 | | 4 | Washer, Flat (M5) |
| 7 | 249-0714 | 7 | Screw, AVR Mounting (M5 x 14mm) | 20 | 249-0749 | 8 | Washer, Spring Lock (M5) |
| 8 | 249-0716 | 1 | Holder, Brush | 21 | 249-0750 | 8 | Nut, Hex Lock (M5) |
| 9 | 249-0722 | 1 | Screw, Brush Holder (M5 x 18mm) | 22 | 249-0765 | 1 | Terminal Assy |
| 10 | 249-0718 | 2 | Bolt, Endbell Cover (M5 x 20mm) | 23 | 249-0751 | 1 | Marker, Terminal |
| 11 | 249-0731 | 1 | Stator | 24 | 185-5005 | 1 | Diode, DC |
| 12 | 249-0737 | 1 | Bolt, Rotor Mounting (5/16-24 unf) | 25 | 249-0720 | 1 | Screw, DC Diode (M5 x 12mm) |
| | | | | 26 | 249-0725 | 1 | Bushing, Rubber |
| | | | | 27 | 249-0752 | 1 | Harness, Wire (with Coupler) |

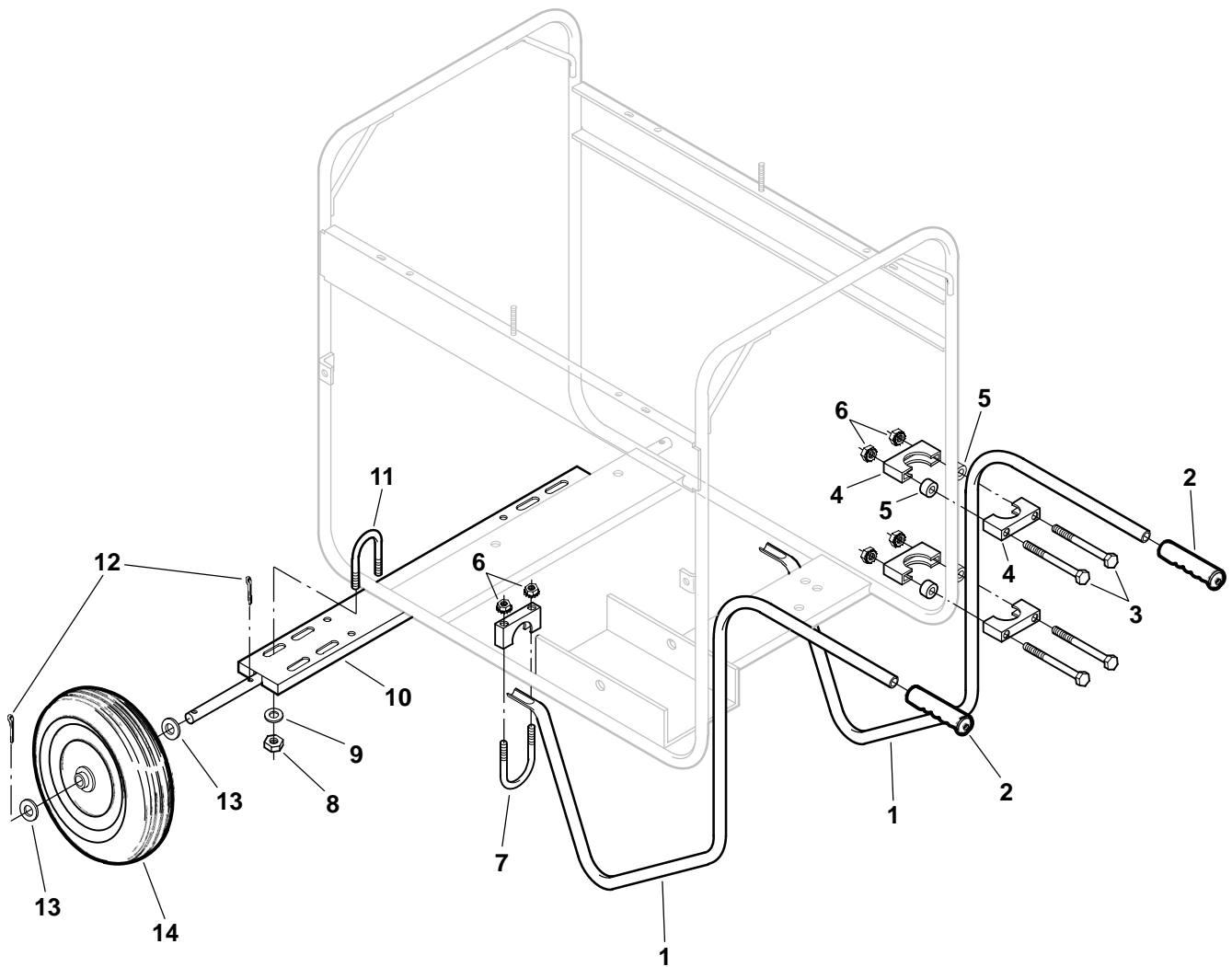
Control (Spec 38018)

| REF NO. | PART NO. | QTY USED | PART DESCRIPTION | REF NO. | PART NO. | QTY USED | PART DESCRIPTION |
|----------|----------|----------|--|-------------|----------|----------|---|
| 625-3193 | | 1 | Diagram, Wiring | 403-3828 | | 1 | Rollcage |
| 327-1000 | | 1 | Back, Control Box | 159-1485 | | 1 | Tank, Fuel (Includes Shutoff Valve) |
| 300-4733 | | 1 | 5.0 kW | 159-1442 | | 1 | Valve, Shutoff |
| 300-4732 | | 1 | 6.0 kW | 327-1252 | | 1 | Cap, Gas |
| 327-0849 | | 2 | Washer, ET Lock (8-32) | 327-0860 | | 2 | Clip, Fuel Line (Plastic) |
| 327-1193 | | 2 | Screw, Round Head Phillister (8-32 x 1/4") | 327-0923 | | 4 | Bolt, U |
| 327-1048 | | 1 | Receptacle, GFI - 125V, 15A | 327-0957 | | 4 | Screw, Hex Head Cap (1/4-20 x 1-1/2") |
| 323-1107 | | 1 | Receptacle, Twistlock - 125V 30A (Mates with 323-0862 Plug) | 327-1086 | | 1 | Clip, Fuel Line Metal |
| 323-1111 | | 1 | Receptacle, Twistlock - 250V 20A (Mates with 323-0857 Plug) (Used on 5.0KW Only) | 403-4418 | | 1 | Shield, Fuel Tank |
| 327-0858 | | 1 | Receptacle, 12VDC | 327-1005 | | 1 | Support Assy, Channel |
| 323-1109 | | 1 | Receptacle, Twistlock - 250V 30A (Used on 6.0KW Only) | 327-1006 | | 1 | Support Assy, Generator |
| 327-0883 | | 2 | Breaker, Circuit - 250V 15A | 327-0961 | | 4 | Screw, Hex Head Cap (5/16-18 x 1-1/2") (Used on 5.0AB Only) |
| 320-0541 | | 3 | 20A (5.0 Only) | 327-0859 | | 1 | Line, Fuel (3/4") |
| 327-0972 | | 3 | 25A (6.0 Only) | 327-0877 | | 4 | Nut, Keps Zinc |
| 327-0886 | | 1 | 30A | 327-0861 | | 2 | Nut, Black Zinc (1/4-20) |
| 327-0866 | | 1 | Switch, Full Power Toggle 25A 4PDT | 327-0862 | | 4 | Washer (3/4") (5.0KW Only) |
| 327-0865 | | 1 | Switch, On/Off SPST 6A | 327-1197 | | 1 | Strap, Ground |
| 327-0856 | | 1 | Switch, On/Off SPDT 15A (5.0KW, Voltage Code AB) | 327-0887 | | 1 | Screw, Hex Hd (5/16-18 x 3/4") |
| 327-0871 | | 1 | Switch, DPST On/Off (Voltage Code EB Only) | 327-0869 | | 1 | Hold-Down, Battery (Voltage Code EB Only) |
| 327-0857 | | 1 | Meter, Volt - 0-300VAC | 327-0837 | | 1 | Cable, DC Battery (Includes Clips and Plug) |
| 327-0901 | | 2 | Screw, Phillips (M3 x 8mm) | 327-0838 | | 1 | Clip, Red Battery |
| 327-0843 | | 1 | Lug, Ground | 327-0839 | | 1 | Clip, Black Battery |
| 327-0846 | | 1 | Screw, Cadmium Phillips Head (#10-24 x 1") | 327-0890 | | 1 | Plug, Jimbo |
| 327-0911 | | 3 | Nut (#10-24) | 327-0899 | | 2 | Screw, Hex Head (M6 x 12mm) (5.0 Only) |
| 327-0912 | | 3 | Washer, Split Lock (#10) | 327-0900 | | 2 | Washer, Lock (M6) (5.0 Only) |
| 327-0847 | | 21 | Screw, Phillips (#8-32 x 1/2") | 327-0916 | | 2 | Washer, Flat (M6) (5.0 Only) |
| 327-0850 | | 11 | Nut, Keps (#8-32) | 327-1188 | | 4 | Screw, Allen Head (#8 x 3/8") |
| 327-0851 | | 2 | Bushing, Snap | 327-1192 | | 2 | Insulator, Disconnect 90° |
| 327-0852 | | 1 | Clamp, Cable (5/16"ID) | 327-1185 | | 1 | Solenoid |
| 327-0893 | | 1 | Clamp, Cable (3/8"ID) | 319-2635-02 | | 1 | Bracket, Solenoid |
| 300-4742 | | 1 | Module, Low Oil | 152-0358 | | 1 | Link, Throttle |
| 323-0987 | | 1 | Connector, Plastic | 518-0606 | | 1 | Clip, Linkage |
| 332-1996 | | 2 | Terminal, Uninsulated | 327-0833 | | 4 | Mount, Vibration |
| 327-0853 | | 1 | Screw, Phillips Hd (M5 x 30mm) | 327-0877 | | 9 | Nut, Chrome (5/16-18) |
| 327-0891 | | 1 | Module, Idler | 327-0924 | | 4 | Bolt, Hex (3/8-16 x 1-1/8") |
| 327-0867 | | 1 | Spacer, Idler | 327-0879 | | 4 | Washer, Split Lock (3/8") |
| 327-0896 | | 1 | Connector, Idler | 327-0841 | | 18 | Tie, Cable |
| 327-0897 | | 3 | Terminal, Connector | 155-2961 | | 1 | Muffler |
| 327-0894 | | 1 | Housing | 327-0882 | | 1 | Washer, Lock (M8) |
| | | | | 155-2378 | | 1 | Gasket, Exhaust Manifold |
| | | | | 718-1036 | | 2 | Screw, Hex Head Cap (M8 x 20mm) |
| | | | | 850-2008 | | 2 | Washer, Lock (M8) |

Control (Spec 34879)

| REF NO. | PART NO. | QTY USED | PART DESCRIPTION | REF NO. | PART NO. | QTY USED | PART DESCRIPTION |
|---------|----------|----------|--|---------|-------------|----------|--|
| | 327-1000 | 1 | Back, Control Box | | 327-0860 | 1 | Clip, Fuel Line (Plastic) |
| | 300-4734 | 1 | Panel, Front Control | | 327-0923 | 4 | Bolt, U |
| | 300-3818 | 1 | Insert Assy | | 327-0957 | 4 | Screw, Hex Head Cap (1/4-20 x 1-1/2") |
| | 327-0858 | 1 | Receptacle, 12VDC | | | | |
| | 327-0883 | 2 | Breaker, Circuit - 250V 15A | | 327-0930 | 1 | Shield, Fuel Tank |
| | | | | | 327-1005 | 1 | Support, Channel |
| | 327-0865 | 1 | Switch, On/Off SPST 6A | | 327-1006 | 1 | Support, Generator |
| | 327-0871 | 1 | Switch, DPST On/Off | | 327-0861 | 2 | Nut, Black Zinc (1/4-20) |
| | 327-0857 | 1 | Meter, Volt - 0-300VAC | | 327-0862 | 4 | Washer (3/4") (5.0KW Only) |
| | 327-0901 | 2 | Screw, Phillips (M3 x 8mm) | | 327-1197 | 1 | Strap, Ground |
| | 327-0911 | 2 | Nut (#10-24) | | 327-0887 | 1 | Screw, Hex Hd (5/16-18 x 3/4") |
| | 327-0912 | 2 | Washer, Split Lock (#10) | | 327-0869 | 1 | Hold-Down, Battery (Voltage Code EB Only) |
| | 327-0847 | 20 | Screw, Phillips (#8-32 x 1/2") | | | | |
| | 327-0850 | 4 | Nut, Keps (#8-32) | | 327-0837 | 1 | Cable, DC Battery (Includes Clips and Plug) |
| | 327-0851 | 2 | Bushing, Snap | | | | |
| | 327-0852 | 1 | Clamp, Cable (5/16"ID) | | 327-0838 | 1 | Clip, Red Battery |
| | 327-0893 | 1 | Clamp, Cable (3/8"ID) | | 327-0839 | 1 | Clip, Black Battery |
| | 300-4742 | 1 | Module, Low Oil | | 327-0890 | 1 | Plug, Jimbo |
| | 323-0987 | 1 | Connector, Plastic | | 327-0899 | 2 | Screw, Hex Head (M6 x 12mm) (5.0 Only) |
| | 332-1996 | 4 | Terminal, Uninsulated | | | | |
| | 327-0853 | 1 | Screw, Phillips Hd (M5 x 30mm) | | 327-0900 | 2 | Washer, Lock (M6) (5.0 Only) |
| | 327-0891 | 1 | Module, Idler | | 327-0916 | 2 | Washer, Flat (M6) (5.0 Only) |
| | 327-0867 | 1 | Spacer, Idler | | 327-1188 | 4 | Screw, Allen Head (#8 x 3/8") |
| | 327-0896 | 1 | Connector, Idler | | 327-1185 | 1 | Solenoid |
| | 327-0897 | 3 | Terminal, Connector | | 319-2635-02 | 1 | Bracket, Solenoid |
| | 327-0894 | 1 | Housing | | 152-0358 | 1 | Link, Throttle |
| | 327-1111 | 2 | Plug, Circuit Breaker Hole | | 518-0606 | 1 | Clip, Linkage |
| | 327-1109 | 1 | Connector | | 327-1122 | 4 | BU/PR Std Green |
| | 327-1110 | 6 | Terminal | | 327-0877 | 13 | Nut, Chrome (5/16-18) |
| | | | | | 327-0924 | 4 | Bolt, Hex (3/8-16 x 1-1/8") |
| | | | | | 327-0879 | 4 | Washer, Lock - Split (3/8") |
| | | | | | 327-0841 | 15 | Tie, Cable |
| | 403-3828 | 1 | Rollcage | | 155-2961 | 1 | Muffler |
| | 159-1229 | 1 | Tank, Fuel (Includes Shutoff Valve) | | 155-2378 | 1 | Gasket, Exhaust Manifold |
| | | | | | 718-1036 | 2 | Screw, Hex Head Cap (M8 x 20mm) |
| | 159-1442 | 1 | Valve, Shutoff | | | | |
| | 327-1186 | 1 | Cap, Gas | | 850-2008 | 2 | Washer, Lock (M8) |

Dolly



| REF NO. | PART NO. | QTY USED | PART DESCRIPTION | REF NO. | PART NO. | QTY USED | PART DESCRIPTION |
|---------|----------|----------|-------------------------------------|---------|----------|----------|-------------------------|
| | 410-1166 | 1 | Kit, Wheel | 7 | 327-1213 | 2 | Bolt, U (5/16-18) |
| 1 | 410-1167 | 2 | Handle | 8 | 327-0861 | 8 | Nut, Keps (1/4-20) |
| 2 | 403-1477 | 2 | Grip | 9 | 526-0054 | 8 | Washer, Flat (5/16) |
| 3 | 800-0037 | 8 | Screw, Cap - Hex Head (5/16-18 x 3) | 10 | 410-1168 | 1 | Axel |
| 4 | 327-1195 | 10 | Clamp, U | 11 | 410-1105 | 4 | Bolt, U |
| 5 | 327-1211 | 8 | Spacer, Clamp | 12 | 516-0115 | 4 | Pin, Cotter (1/8 x 1.5) |
| 6 | 327-0877 | 12 | Nut, Keps (5/16-18) | 13 | 526-0198 | 4 | Washer, Flat (5/8) |
| | | | | 14 | 410-1072 | 2 | Wheel |

Labels, Gasket Kit

| REF NO. | PART NO. | QTY USED | PART DESCRIPTION | REF NO. | PART NO. | QTY USED | PART DESCRIPTION |
|------------|----------|----------|---|-------------|----------|----------|---|
| 98-7097 | | 1 | Label, Cummins/Onan Logo | 102-1441 | | 1 | *Gasket Set, Engine (Includes Parts Marked °) |
| | | | Label, Model ID | | | | |
| | | | E140H | 146-0584-01 | | 1 | °Gasket, Intake Elbow |
| 98-6771-01 | | 1 | 87 x 13.5mm | 110-3833 | | 1 | °Gasket, Gearcase |
| 98-6771-02 | | 1 | 176 x 50mm | 140-2771 | | 1 | °Gasket, Air Cleaner Mounting |
| 98-7090 | | 1 | Pro 5000E (5.0EB, EM) | 110-3830-01 | | 1 | °Gasket, Valve Cover |
| 98-7089 | | 2 | Pro6000E (6.0EB) | 146-0599 | | 1 | °Gasket, Insulator |
| 98-7091 | | 2 | Pro5000 (5.0AB) | 146-0600 | | 1 | °Gasket, Insulator |
| 327-0884 | | 1 | Label, Oil Drained | | | | |
| 98-6388 | | 1 | Label, Phone Info | 168-0219 | | 1 | Kit, Engine Gasket (Includes Parts Marked +) |
| 98-6190 | | 1 | Label, "Warning Exhaust Gas & Hot Exhaust Pipe" | | | | |
| | | | | 509-0258 | | 2 | Seal, Crankshaft Oil |
| 98-6191-01 | | 1 | Label, "Warning Gasoline Vapors" | 110-3591 | | 1 | Gasket, Cylinder Head |
| | | | | 110-3586 | | 1 | Seal, Valve Stem (Intake) |
| 98-6074 | | 1 | Label, "Warning General" | 155-2378 | | 1 | Gasket, Muffler |
| 98-6192 | | 1 | Label, "Warning Hazardous Voltage" | 509-0253 | | 1 | O'Ring, Oil Pump |
| | | | | 110-3833 | | 1 | Gasket, Gearcase |
| 98-7096 | | 1 | Decal, Green Stripe | 509-0255 | | 1 | Seal, Governor Lever |
| | | | | 146-0584-01 | | 1 | Gasket, Intake Elbow |
| | | | | 146-0599 | | 1 | Gasket, Insulator |
| | | | | 146-0600 | | 1 | Gasket, Insulator |
| 168-0214 | | 1 | Kit, Gasket (Includes Parts Marked *) | 140-2771 | | 1 | Gasket, Air Cleaner Mounting |
| 110-3586 | | 1 | *Seal, Valve Stem | 140-2536-05 | | 1 | Seal, Air Cleaner Spacer |
| 110-3591 | | 1 | *Gasket, Cylinder Head | 509-0304 | | 1 | O'Ring, Oil Fill Tube (Upper) |
| 509-0324 | | 1 | *O'Ring | 509-0324 | | 1 | O'Ring, Oil Fill Tube (Lower) |
| 509-0304 | | 1 | *O'Ring | | | | |
| 509-0253 | | 1 | *O'Ring | | | | |
| 509-0258 | | 2 | *Seal, Oil | | | | |
| 155-2378 | | 1 | *Gasket, Exhaust Manifold | | | | |
| 509-0255 | | 1 | *Seal, Governor Shaft | | | | |

* - Parts Included in Gasket Kit.

° - Parts Included in Engine Gasket Set.

+ - Parts Included in Engine Gasket Kit.

Numerical Index

| <u>Part No.</u> | <u>Page</u> | <u>Part No.</u> | <u>Page</u> | <u>Part No.</u> | <u>Page</u> | <u>Part No.</u> | <u>Page</u> |
|------------------------|-------------|----------------------------|-------------|----------------------------|-------------|-----------------------------|-------------|
| 098-6074, 31 | | 105-0719, 9 | | 115-0427, 13 | | 146-0704, 19 | |
| 098-6190, 31 | | 110-3578, 13 | | 115-0428, 13 | | 150-0096, 17 | |
| 098-6191-01, 31 | | 110-3579, 13 | | 115-0429, 13 | | 150-2272, 15 | |
| 098-6192, 31 | | 110-3580, 13 | | 115-0473, 13 | | 150-2303, 9 | |
| 098-6388, 31 | | 110-3584, 13 | | 120-0140, 15 | | 150-2304, 9 | |
| 098-6771-01, 31 | | 110-3586, 13, 31 | | 120-1295, 15 | | 150-2529, 17 | |
| 098-6771-02, 31 | | 110-3587, 13 | | 120-1298, 15 | | 150-2530, 15 | |
| 098-7089, 31 | | 110-3591, 13, 31 | | 120-1299-02, 15 | | 150-2547, 15 | |
| 098-7090, 31 | | 110-3593, 13 | | 120-1313, 15 | | 150-2650, 17 | |
| 098-7091, 31 | | 110-3594, 13 | | 122-0475, 15 | | 150-2657, 17 | |
| 098-7096, 31 | | 110-3595, 13 | | 122-0737-03, 15 | | 150-2660-02, 17 | |
| 098-7097, 31 | | 110-3596, 13 | | 123-1841, 15 | | 152-0332, 17 | |
| 102-1441, 31 | | 110-3615, 7, 13 | | 123-2014, 13 | | 152-0343, 17 | |
| 103-0821, 15 | | 110-3693, 13 | | 123-2030, 13 | | 152-0358, 28, 29 | |
| 104-1718, 8 | | 110-3694, 13 | | 123-2031, 19 | | 152-0363-02, 17 | |
| 104-1721-01, 8 | | 110-3710, 13 | | 123-2056, 15 | | 152-0364-02, 17 | |
| 104-1721-02, 8 | | 110-3822, 13 | | 123-2123, 19 | | 152-0365-02, 17 | |
| 104-1721-03, 8 | | 110-3825, 13 | | 123-2124, 19 | | 153-0657-03, 17 | |
| 104-1721-05, 8 | | 110-3826, 13 | | 123-2125, 19 | | 154-2871, 19 | |
| 104-1721-07, 8 | | 110-3827, 13 | | 134-4773, 11 | | 155-2378, 28, 29, 31 | |
| 104-1721-08, 8 | | 110-3828-01, 13 | | 134-4991-02, 23 | | 155-2961, 28, 29 | |
| 104-1809-01, 8 | | 110-3830-01, 13, 31 | | 134-5024-03, 22 | | 159-1229, 29 | |
| 104-1809-02, 8 | | 110-3833, 15, 31 | | 134-5024-04, 22 | | 159-1442, 28, 29 | |
| 104-1809-03, 8 | | 110-3863-04, 13 | | 134-5067-02, 11 | | 159-1485, 28 | |
| 104-1809-04, 8 | | 110-3898-01, 13 | | 134-5067-03, 11 | | 166-0832, 7 | |
| 104-1809-05, 8 | | 112-0244, 10 | | 140-2536-05, 19, 31 | | 166-0837, 7 | |
| 104-1809-06, 8 | | 112-0245, 10 | | 140-2672, 19 | | 167-0263-02, 13 | |
| 104-1809-07, 8 | | 112-0276, 10 | | 140-2674-01, 19 | | 168-0214, 31 | |
| 104-1816-4, 8 | | 112-0276-01, 10 | | 140-2748, 19 | | 168-0219, 31 | |
| 104-1816-03, 8 | | 112-0276-02, 10 | | 140-2749, 19 | | 185-2334, 20 | |
| 104-1855, 8 | | 113-0330, 10 | | 140-2765-02, 19 | | 185-2367, 20 | |
| 104-1856, 8 | | 113-0330-01, 10 | | 140-2771, 19, 31 | | 185-2381, 20 | |
| 104-1925-02, 8 | | 113-0330-02, 10 | | 140-2999, 19 | | 185-2627, 10 | |
| 105-0649-01, 9 | | 114-0355, 10 | | 145-0694, 19 | | 185-2656, 20 | |
| 105-0649-02, 9 | | 114-0356, 10 | | 145-0697, 17 | | 185-2658, 20 | |
| 105-0649-03, 9 | | 114-0357, 10 | | 146-0532, 19 | | 185-2659, 20 | |
| 105-0649-04, 9 | | 114-0357-01, 10 | | 146-0584-01, 19, 31 | | 185-2660, 20 | |
| 105-0649-05, 9 | | 115-0423, 13 | | 146-0599, 19, 31 | | 185-2661, 20 | |
| 105-0649-06, 9 | | 115-0424, 13 | | 146-0600, 19, 31 | | 185-2662, 20 | |
| 105-0716, 9 | | 115-0426, 13 | | 146-0701, 19 | | 185-2663, 20 | |

Numerical Index

| <u>Part No.</u> | <u>Page</u> | <u>Part No.</u> | <u>Page</u> | <u>Part No.</u> | <u>Page</u> | <u>Part No.</u> | <u>Page</u> |
|-----------------|-------------------|-----------------|-------------------|-----------------|-------------------|-----------------|---------------|
| 185-2664, | 20 | 249-0723, | 24, 25, 27 | 327-0833, | 28 | 327-0901, | 28, 29 |
| 185-2706, | 20 | 249-0724, | 24, 25, 27 | 327-0837, | 28, 29 | 327-0911, | 28, 29 |
| 185-2717, | 21 | 249-0725, | 24, 25, 27 | 327-0838, | 28, 29 | 327-0912, | 28, 29 |
| 185-2718, | 21 | 249-0730, | 24 | 327-0839, | 28, 29 | 327-0916, | 28, 29 |
| 185-2719, | 21 | 249-0731, | 25, 27 | 327-0841, | 28, 29 | 327-0923, | 28, 29 |
| 185-2767, | 21 | 249-0733, | 24 | 327-0843, | 28 | 327-0924, | 28, 29 |
| 185-2768, | 21 | 249-0734, | 25, 27 | 327-0846, | 28 | 327-0930, | 29 |
| 185-2889, | 21 | 249-0736, | 24 | 327-0847, | 28, 29 | 327-0957, | 28, 29 |
| 185-2942, | 21 | 249-0737, | 25, 27 | 327-0849, | 28 | 327-0961, | 28 |
| 185-2965, | 20 | 249-0739, | 24 | 327-0850, | 28, 29 | 327-0972, | 28 |
| 185-3681, | 21 | 249-0740, | 25, 27 | 327-0851, | 28, 29 | 327-1000, | 28, 29 |
| 185-5005, | 24, 25, 27 | 249-0745, | 27 | 327-0852, | 28, 29 | 327-1005, | 28, 29 |
| 185-5289, | 21 | 249-0746, | 27 | 327-0853, | 28, 29 | 327-1006, | 28, 29 |
| 185-6381, | 20 | 249-0747, | 27 | 327-0856, | 28 | 327-1048, | 28 |
| 185-6382, | 20 | 249-0749, | 27 | 327-0857, | 28, 29 | 327-1086, | 28 |
| 185-6383, | 20 | 249-0750, | 27 | 327-0858, | 28, 29 | 327-1109, | 29 |
| 185-6384, | 20 | 249-0751, | 27 | 327-0859, | 28 | 327-1110, | 29 |
| 185-6385, | 20 | 249-0752, | 27 | 327-0860, | 28, 29 | 327-1111, | 29 |
| 185-6386, | 20 | 249-0765, | 27 | 327-0861, | 28, 29, 30 | 327-1122, | 29 |
| 185-6387, | 20 | 249-0799, | 24, 25 | 327-0862, | 28, 29 | 327-1185, | 28, 29 |
| 191-1456-04, | 11 | 249-0801, | 24, 25 | 327-0865, | 28, 29 | 327-1186, | 29 |
| 191-1924, | 7 | 249-5072, | 24 | 327-0866, | 28 | 327-1188, | 28, 29 |
| 191-1967, | 11 | 249-5073, | 25 | 327-0867, | 28, 29 | 327-1192, | 28 |
| 191-1970, | 22 | 300-3818, | 29 | 327-0869, | 28, 29 | 327-1193, | 28 |
| 191-2107, | 7, 20 | 300-4732, | 28 | 327-0871, | 28, 29 | 327-1195, | 30 |
| 192-0433, | 21 | 300-4733, | 28 | 327-0877, | 28, 29, 30 | 327-1197, | 28, 29 |
| 192-0442, | 21 | 300-4734, | 29 | 327-0879, | 28, 29 | 327-1211, | 30 |
| 192-0443, | 21 | 300-4742, | 28, 29 | 327-0882, | 28 | 327-1213, | 30 |
| 233-1325, | 7 | 309-0640, | 15 | 327-0883, | 28, 29 | 327-1252, | 28 |
| 249-0193, | 27 | 319-2635-02, | 28, 29 | 327-0884, | 31 | 332-1996, | 28, 29 |
| 249-0711, | 27 | 320-0541, | 28 | 327-0886, | 28 | 338-3289, | 22 |
| 249-0712, | 24, 25 | 321-0084, | 22 | 327-0887, | 28, 29 | 338-3315, | 22 |
| 249-0713, | 24, 25, 27 | 321-0254, | 22 | 327-0890, | 28, 29 | 403-1477, | 30 |
| 249-0714, | 24, 25, 27 | 323-0987, | 28, 29 | 327-0891, | 28, 29 | 403-1523-01, | 23 |
| 249-0715, | 24, 25, 27 | 323-1107, | 28 | 327-0893, | 28, 29 | 403-3828, | 28, 29 |
| 249-0716, | 24, 25, 27 | 323-1109, | 28 | 327-0894, | 28, 29 | 403-4418, | 28 |
| 249-0717, | 24, 25, 27 | 323-1111, | 28 | 327-0896, | 28, 29 | 406-0747, | 19 |
| 249-0718, | 24, 25, 27 | 323-1216, | 22 | 327-0897, | 28, 29 | 406-0748, | 19 |
| 249-0720, | 24, 25, 27 | 323-1585, | 22 | 327-0899, | 28, 29 | 406-0749, | 19 |
| 249-0722, | 24, 25, 27 | 323-1604, | 22 | 327-0900, | 28, 29 | 406-0750, | 19 |

Numerical Index

| <u>Part No.</u> | <u>Page</u> | <u>Part No.</u> | <u>Page</u> | <u>Part No.</u> | <u>Page</u> | <u>Part No.</u> | <u>Page</u> |
|-----------------|------------------|-----------------|---------------|-----------------|-------------|-----------------|-------------|
| 406-0751, | 19 | 740-1008, | 13 | | | | |
| 410-1072, | 30 | 750-1006, | 7 | | | | |
| 410-1105, | 30 | 775-0061, | 11 | | | | |
| 410-1166, | 30 | 775-0069, | 15 | | | | |
| 410-1167, | 30 | 775-0074, | 7 | | | | |
| 410-1168, | 30 | 800-0037, | 30 | | | | |
| 502-0054, | 7 | 800-2063, | 19 | | | | |
| 502-0153, | 7 | 800-3026, | 13 | | | | |
| 503-0731, | 19 | 815-0384, | 7 | | | | |
| 503-1976, | 19 | 815-0474, | 22 | | | | |
| 508-1094, | 19 | 815-0638-01, | 11 | | | | |
| 509-0253, | 15, 31 | 815-0753, | 13, 22 | | | | |
| 509-0254, | 15 | 815-0773, | 21 | | | | |
| 509-0255, | 17, 31 | 815-0793-04, | 17 | | | | |
| 509-0258, | 7, 15, 31 | 815-0793-07, | 17 | | | | |
| 509-0304, | 31 | 815-0816-01, | 19 | | | | |
| 509-0324, | 31 | 815-0829-01, | 15 | | | | |
| 510-0043, | 15 | 815-0829-02, | 15 | | | | |
| 510-0160, | 7, 15 | 815-0829-03, | 15 | | | | |
| 510-0162, | 7 | 815-0829-04, | 19, 23 | | | | |
| 510-0163, | 7 | 821-2033, | 22, 23 | | | | |
| 515-0293, | 8 | 821-2045, | 21 | | | | |
| 515-0295, | 11 | 823-0002-04, | 22 | | | | |
| 516-0115, | 30 | 823-0003-02, | 11, 15 | | | | |
| 516-2004, | 13 | 823-0003-05, | 15 | | | | |
| 518-0515, | 13 | 823-0003-07, | 7 | | | | |
| 518-0560, | 15 | 850-2008, | 28, 29 | | | | |
| 518-0566, | 13 | 851-0042, | 17 | | | | |
| 518-0576, | 17 | 853-0016, | 7 | | | | |
| 518-0606, | 28, 29 | 865-0029, | 19 | | | | |
| 526-0054, | 30 | 870-0131, | 17 | | | | |
| 526-0115, | 7, 19 | 870-0465, | 20 | | | | |
| 526-0198, | 30 | 870-0506, | 17 | | | | |
| 526-0405, | 11 | 870-2060, | 11 | | | | |
| 526-2078, | 15 | | | | | | |
| 625-3193, | 28 | | | | | | |
| 718-1036, | 28, 29 | | | | | | |
| 718-1040, | 7 | | | | | | |
| 740-1004, | 19 | | | | | | |
| 740-1006, | 17 | | | | | | |



Onan Corporation
1400 73rd Avenue N.E.
Minneapolis, MN 55432
1-800-888-ONAN
612-574-5000 International Use
Telex: 275477
Fax: 612-574-8087

Onan is a registered trademark of Onan Corporation