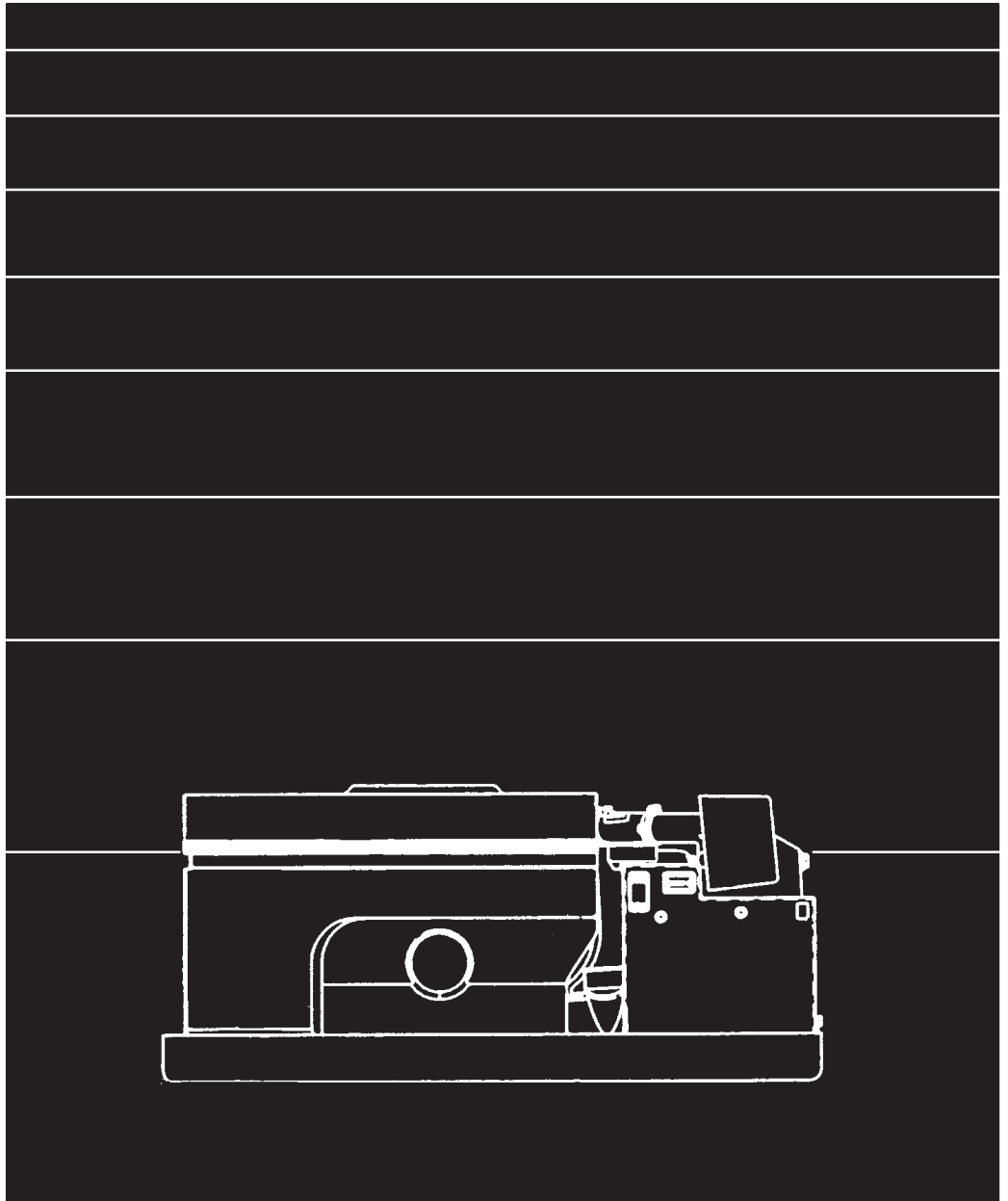




# Parts Catalog

TGHAA

## Generator Set



## MODEL IDENTIFICATION

To avoid errors or delay in filling your parts order, always give the MODEL, SPEC NO. and SERIAL NO. from the Onan nameplate.

For handy reference, insert your nameplate information in the spaces below.

\_\_\_\_\_  
MODEL AND SPEC NO.

\_\_\_\_\_  
SERIAL NO.

\_\_\_\_\_  
DIGITAL CONTROL SOFTWARE VERSION  
AND DATE (IF APPLICABLE)

## SAFETY PRECAUTIONS

The following symbols are used in Onan manuals to alert users to the potentially dangerous conditions relating to maintenance of equipment and replacement of parts. Please read and observe.



*This symbol warns of immediate hazards which will result in severe personal injury or death.*



*This symbol refers to a hazard or unsafe practice which can result in severe personal injury or death.*



*This symbol refers to a hazard or unsafe practice which can result in severe personal injury or product or property damage.*

## PRODUCT SAFETY PRECAUTIONS



***Service and repair of Onan equipment must be performed by trained, experienced personnel only. Improper service or repair may result in property damage, severe personal injury or death. Do not use this catalog as a guide to servicing your equipment. Read and follow the IMPORTANT SAFETY INSTRUCTIONS in the Service Manual appropriate for the equipment you are working on.***



***Contact with USED ENGINE OILS has been identified by a United States federal agency and some USA state agencies as causing CANCER or REPRODUCTIVE TOXICITY. When checking or changing engine oils take all necessary precautions not to ingest, breathe the fumes or contact the used oil.***



***Contact with ASBESTOS has been identified by a United States federal agency and some USA state agencies as causing CANCER or REPRODUCTIVE TOXICITY. When handling engine gaskets take all necessary precautions not to ingest, breathe or contact the dust from the gaskets! Use adequate ventilation and wear protective gloves, masks and clothing!***



***Contact with BENZINE and LEAD, found in gasoline, fuel additives and solvents has been identified by a United States federal agency and some USA state agencies as causing CANCER or REPRODUCTIVE TOXICITY. When checking, draining or adding gasoline and fuel additives or using solvents take all necessary precautions not to ingest, breathe the fumes or contact the liquids. Use adequate ventilation and wear protective gloves, masks and protective clothing!***

## Introduction

This manual applies to the standard Generator Set as listed in the Generator Set Data Table. Parts are arranged in groups of related items and each illustrated part is identified by a reference number corresponding to the same reference number in the parts list. Parts illustrations are typical. Using the model and specification number from your generator set nameplate, select parts that apply to your set. Right and left sides are determined by facing the engine end (front) of the set.

### Generator Set Data Table

MODEL NUMBER	WIRING DIAGRAM	VOLTS	HERTZ	WIRE	FUEL
5.6TGHAA/*	611-1247	120/240	60	2	Natural Gas
5.6TGHAA/*	611-1247	120	60	2	Natural Gas
5.6TGHAA/*	611-1247	230	50	2	LP Vapor
6.0TGHAA/*	611-1247	120/240	60	2	LP Vapor
6.0TGHAA/*	611-1247	120	60	2	LP Vapor

\* – The diagonal line (/) in the model and specification number separates generator set characteristics from the specification number and letter. The specification number denotes customer requested options or deviations from a standard (1A, 1B, etc.) model. The specification letter advances (A to B, B to C, etc.) with major manufacturing changes.

**NOTE:** See Parts Book #913-0202 for Transfer Switch Information.

# Index

Actuator, Governor, **12**  
Adapter, Air Cleaner, **13**  
Adapter, Breather Tube, **13**  
Adapter, Generator, **23**  
Adapter, Oil Filter, **9**

Backplate, Air Housing, **19**  
Base, Housing, **29**  
Base, Oil, **10**  
Bearing, Ball, **25**  
Bearing, Camshaft, **5**  
Bearing, Connecting Rod, **5**  
Bearing, Crankshaft, **5**  
Block, Brush, **25**  
Block, Cylinder, **5**  
Block, Generator Brush, **25**  
Block, Terminal, **26**  
Board, Control, **26**  
Boot, Starter Harness, **27**  
Box, Battery, **29**  
Bracket, Battery Charger, **25**  
Bracket, Control Mounting, **26**  
Bracket, Housing Locking, **29**  
Bracket, Ignition Coil, **23**  
Bracket, Ignition Control, **23**  
Bracket, Regulator Mounting, **14**  
Breaker, Circuit, **26, 27**  
Brush, Generator, **25**  
Bushing, Piston Pin, **5**  
Bushing, Regulator Reducer, **14**

Cable, Spark Plug, **23**  
Camshaft, **6**  
Cap, Fuel Fitting, **13**  
Cap, Oil Fill, **10**  
Cap, Starter Solenoid, **17**  
Capacitor, **23**  
Carburetor, **13**  
Charger, Battery, **25**  
Clip, Control Rod, **12**  
Clip, Housing Circular, **29**  
Clip, Spark Plug Wire, **19**  
Clip, Wire, **23**  
Coil, Ignition, **23**  
Components, Starter, **17**  
Connector, Conduit, **25**  
Control, **26**  
Cover, Air Housing, **19**  
Cover, Breather, **5**  
Cover, Brush Block Access, **25**  
Cover, Control Box, **26**  
Cover, Valve, **5**  
Crankshaft, **7**  
Cup, Oil Pickup, **10**

Drain, Oil Filter, **9**

Elbow, Regulator Hose, **14**

Element, Air Cleaner, **13**

Fan, Blower Wheel, **8**  
Fan, Generator, **25**  
Filter, Breather, **5**  
Filter, Oil, **9**  
Fuse, Engine Harness, **27**  
Fuse, Heater Harness, **13**

Gasket, Air Horn, **13**  
Gasket, Bearing Plate, **5**  
Gasket, Carburetor Mounting, **13**  
Gasket, Cylinder Head, **5**  
Gasket, Exhaust Manifold, **21**  
Gasket, Gearcase, **11**  
Gasket, Intake Manifold, **13**  
Gasket, Muffler, **21**  
Gasket, Oil Base, **10**  
Gasket, Oil Filter Adapter, **9**  
Gasket, Valve Cover, **5**  
Gear, Camshaft, **6**  
Gear, Crankshaft, **7**  
Gear, Fan/Ring, **25**  
Gearcase, **11**  
Generator, **25**  
Governor, **12**  
Grommet, **25**  
Guide, Housing Base, **29**  
Guide, Valve, **5**

Harness, AC Output, **26**  
Harness, Battery Charger, **27**  
Harness, Carburetor Heater, **13**  
Harness, Engine, **27**  
Harness, Genset, **25**  
Harness, Starter, **27**  
Head, Cylinder, **5**  
Holder, Engine Harness Fuse, **27**  
Holder, Heater Harness Fuse, **13**  
Hose, Regulator Fuel, **14**  
Hose, Regulator Vent, **14**  
Housing, Air, **19**  
Housing, Air Cleaner, **13**  
Housing, Generator Stator, **25**  
Housing, Set, **29**  
Hub, Blower Wheel, **8**

Insert, Blower Wheel Fan, **8**  
Insulation, Exhaust Manifold, **21**  
Isolator, Vibration, **20**

Key, Blower Wheel, **8**  
Key, Camshaft Woodruff, **6**  
Key, Crankshaft Gear, **7**  
Kit, Gasket, **30**  
Kit, Oil Pump Gasket, **30**  
Kit, Piston Ring, **5**  
Kit, Starter Brush, **17**

## Index

Kit, Starter Bushing, **17**  
Kit, Starter Drive, **17**  
Kit, Starter Dust Seal, **17**  
Kit, Starter Hardware, **17**  
Kit, Starter Lever Shift, **17**  
Kit, Starter Solenoid, **17**

Label, Circuit Breaker, **26**  
Label, Switch, **26**  
Label, Warning, **26**  
Labels, **30**  
Lock, Valve Spring, **5**

Manifold, Exhaust, **21**  
Manifold, Intake, **13**  
Meter, Hour, **26**  
Module, Ignition Control, **23**  
Muffler, **21**

Nipple, Regulator Close, **14**

O'Ring, Generator, **25**  
O'Ring, Oil Fill Cap, **10**

Paint, **30**  
Pan, Breather, **5**  
Pan, Drip, **20**  
Panel, Air Housing Front, **19**  
Panel, Control, **26**  
Pin, Bearing Stop Drive, **5**  
Pin, Gearcase Alignment, **5, 11**  
Pin, Housing Snap, **29**  
Pin, Piston, **5**  
Piston, **5**  
Plate, Bearing, **5**  
Plate, Cover, **26**  
Plug, Camshaft Opening Welch, **5**  
Plug, Core Hole, **5**  
Plug, Gearcase Expansion, **11**  
Plug, Regulator Countersunk Head, **14**  
Plug, Spark, **23**  
Plunger, Bypass Valve, **5**  
Plunger, Camshaft, **6**  
Pump, Oil, **5**

Reed, Breather Valve, **5**  
Regulator, Natural Gas/LP, **14**  
Relay, Heater Harness, **13**  
Ring, Collector, **25**  
Ring, Crankshaft Retaining, **7**  
Ring, Piston Pin Retaining, **5**  
Rod, Connecting, **5**

Rod, Throttle Control, **12**  
Rotocap, Exhaust, **5**  
Rotor, Generator, **25**  
Rotor, Ignition, **23**

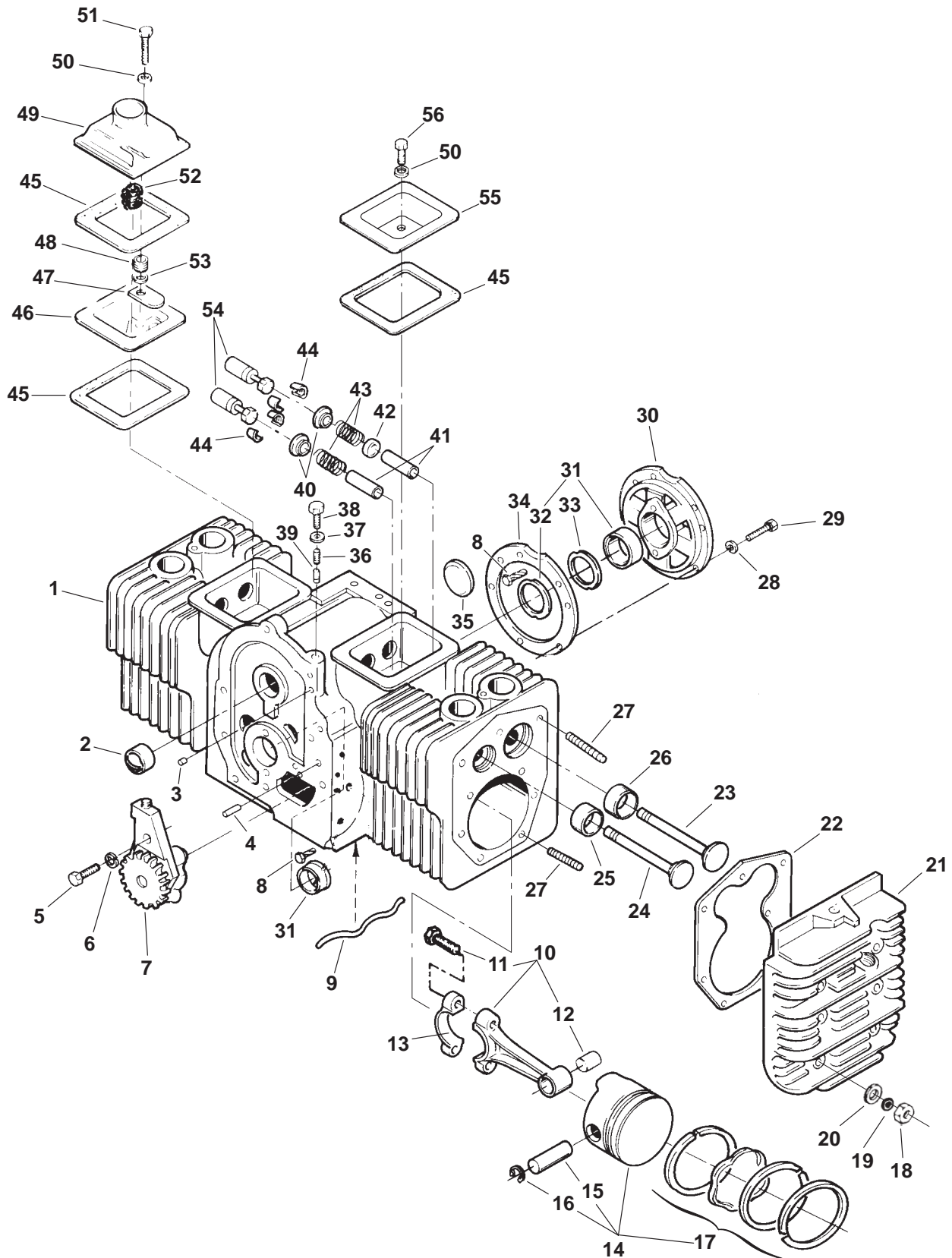
Seal, Drip Pan Air Outlet, **20**  
Seal, Gearcase Oil, **11**  
Seal, Muffler Support, **21**  
Seal, Oil Filter Air, **19**  
Seal, Rear Crankshaft Oil, **7**  
Seal, Valve, **5**  
Sealant, Thread, **30**  
Seat, Valve, **5**  
Sensor, Engine Temperature, **19**  
Shim, Crankshaft, **5**  
Spacer, Muffler Washer, **21**  
Spring, Breather Valve, **5**  
Spring, Bypass Valve, **5**  
Spring, Camshaft Plunger, **6**  
Spring, Generator Brush, **25**  
Spring, Housing Clip, **29**  
Spring, Housing Gas, **29**  
Spring, Throttle Rod, **12**  
Spring, Valve, **5**  
Starter, **15**  
Stator, Generator, **25**  
Strap, Ground, **20**  
Stud, Grounding, **25**  
Support, Muffler, **21**  
Switch, Actuator, **29**  
Switch, Low Oil Pressure, **9**  
Switch, Magnet, **29**  
Switch, Oil Level, **10**  
Switch, Rocker, **26**  
Switchgear Housing Mounting Hardware, **29**  
System, Exhaust, **21**  
System, Fuel, **13**

Tappet, Valve, **5**  
Thermistor, **19**  
Tube, Breather, **13**  
Tube, Cylinder Block Oil, **5**  
Tube, Exhaust, **21**

Valve, Exhaust, **5**  
Valve, Fuel Shut-Off, **14**  
Valve, Intake, **5**  
Valve, Oil Filter Drain, **10**  
Volute, Air Housing, **19**

Wheel, Blower, **8**

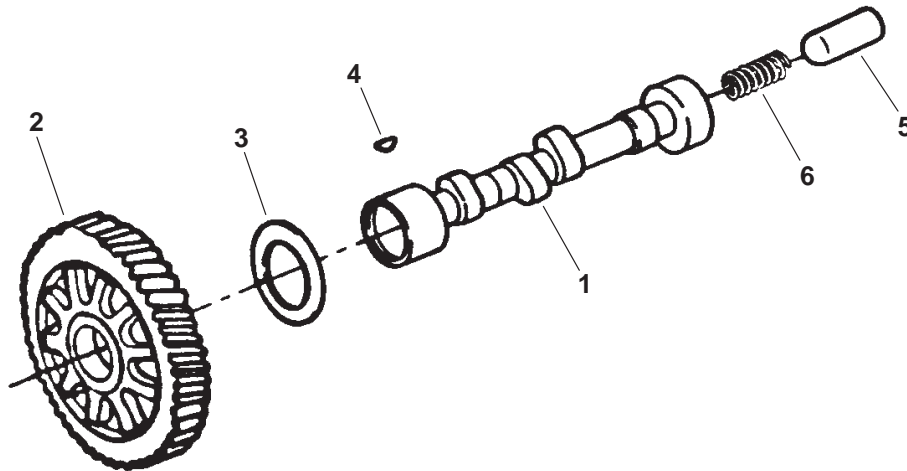
# Cylinder Block



## Cylinder Block

REF NO.	PART NO.	QTY USED	PART DESCRIPTION	REF NO.	PART NO.	QTY USED	PART DESCRIPTION
1			Block, Cylinder (See Shortblock Catalog #932-0109)	27			Stud, Cylinder Head Mounting 3/8 x 2-19/32" (Install 4 Bottom Holes - RH, LH Heads)
2	101-0405	2	Bearing, Camshaft (Precision)				
3	517-0067	1	Plug, Core Hole	520-0876		4	3/8 x 2-3/4" (Install 2 Top Holes - RH, LH Heads)
4	516-0141	2	Pin, Gearcase Alignment				
5	800-0007	2	Screw, Hex Head Cap (1/4-20 x 1")	520-0918		8	3/8 x 3" (Install 4 Middle Holes - RH, LH Heads)
6	740-1004	2	Washer, Flat (M6)	28 526-0402		5	Washer, Flat (.395")
7	120-0491	1	Pump, Oil (Components Not Sold Separately)	29 800-0051-01		5	Screw, Hex Head Cap (3/8-16 x 1-1/4")
8	516-0072	2	Pin, Bearing Stop Drive	30 101-0439		1	Plate, Rear Bearing
9	120-1320	1	Tube, Cylinder Block Oil	31			Bearing, Crankshaft (Includes Thrust Washer)
10	114-0203	2	Rod, Connecting (Includes Bolt and Bushing)		101-0804	2	Standard
11	805-0010	4	Bolt, Connecting Rod (Special)		101-0804-02	2	.002" Undersize
					101-0804-10	2	.010" Undersize
12	114-0036	2	Bushing, Piston Pin		101-0804-20	2	.020" Undersize
13			Bearing, Connecting Rod Half		101-0804-30	2	.030" Undersize
	114-0188	4	Standard	32 104-0575		2	Washer, Thrust (Special)
	114-0188-02	4	.002" Undersize	33			Shim, Crankshaft
	114-0188-10	4	.010" Undersize		104-0776	1	.005"
	114-0188-20	4	.020" Undersize		104-0776-01	1	.003"
	114-0188-30	4	.030" Undersize				Use as Required
14			Piston (Includes Pin, Rings and Retaining Rings)	34 101-0809		1	Gasket, Bearing Plate
	112-0265	2	Standard	35 517-0048-01		1	Plug, Camshaft Welch Opening (1-5/8")
	112-0265-05	2	.005 Oversize	36 120-0140		1	Spring, Bypass Valve
	112-0265-01	2	.010 Oversize	37 526-0066		1	Washer, Copper Flat (3/8")
	112-0265-02	2	.020 Oversize	38 801-0050		1	Screw, Hex Head Cap 21 psi (3/8-24 x 7/8")
	112-0265-03	2	.030 Oversize				
15	112-0268	2	Pin, Piston	39 120-0398		1	Plunger, Bypass Valve
16	112-0267	4	Ring, Retaining	40 110-0904		4	Rotocap, Exhaust
17			Kit, Piston Ring	41			Guide, Valve
	113-0311	2	Standard		110-3167	2	Exhaust
	113-0311-05	2	.005 Oversize		110-3168	2	Intake
	113-0311-01	2	.010 Oversize	42 110-3604		2	Seal, Intake Valve Stem Oil
	113-0311-02	2	.020 Oversize	43 110-0539		4	Spring, Valve
	113-0311-03	2	.030 Oversize	44 110-0639		8	Lock, Valve Spring
18	104-0091	20	Nut, Hex (Special) (3/8-24)	45 110-3575		3	Gasket, Valve Cover
19	851-0029	24	Washer, Compression Lock (Special) (3/8 x 1-1/16 OD)	46 123-1653		1	Pan, Breather
				47 123-1175		1	Reed, Breather Valve
20	526-0250	20	Washer, Flat (Special) (3/8")	48 123-1174		1	Spring, Breather Valve
21	110-3549	2	Head, Cylinder	49 123-1654		1	Cover, Left Side Breather
22	110-2987	2	Gasket, Cylinder Head	50 526-0063		2	Washer, Copper Flat (1/4")
23	110-1718	2	Valve, Intake	51 800-0013		1	Screw, Hex Head Cap (1/4-20 x 2-1/2")
24	110-1719	2	Valve, Exhaust				
25			Seat, Exhaust Valve	52 123-1871		1	Filter, Breather
	110-3462	2	Standard	53 526-0018		1	Washer, Flat (1/4")
	110-3462-01	2	.002" Oversize	54			Tappet, Valve
	110-3462-02	2	.005" Oversize		115-0006	4	Standard
	110-3462-03	2	.010" Oversize		115-0006-02	4	.002" Oversize
	110-3462-04	2	.025" Oversize		115-0006-05	4	.005" Oversize
26			Seat, Intake Valve	55 110-1624-01		1	Cover, Right Side Valve
	110-3655	2	Standard	56 800-0011		1	Screw, Hex Head Cap (1/4-20 x 2")
	110-3655-02	2	.002" Oversize				
	110-3655-05	2	.005" Oversize				
	110-3655-10	2	.010" Oversize				
	110-3655-25	2	.025" Oversize				

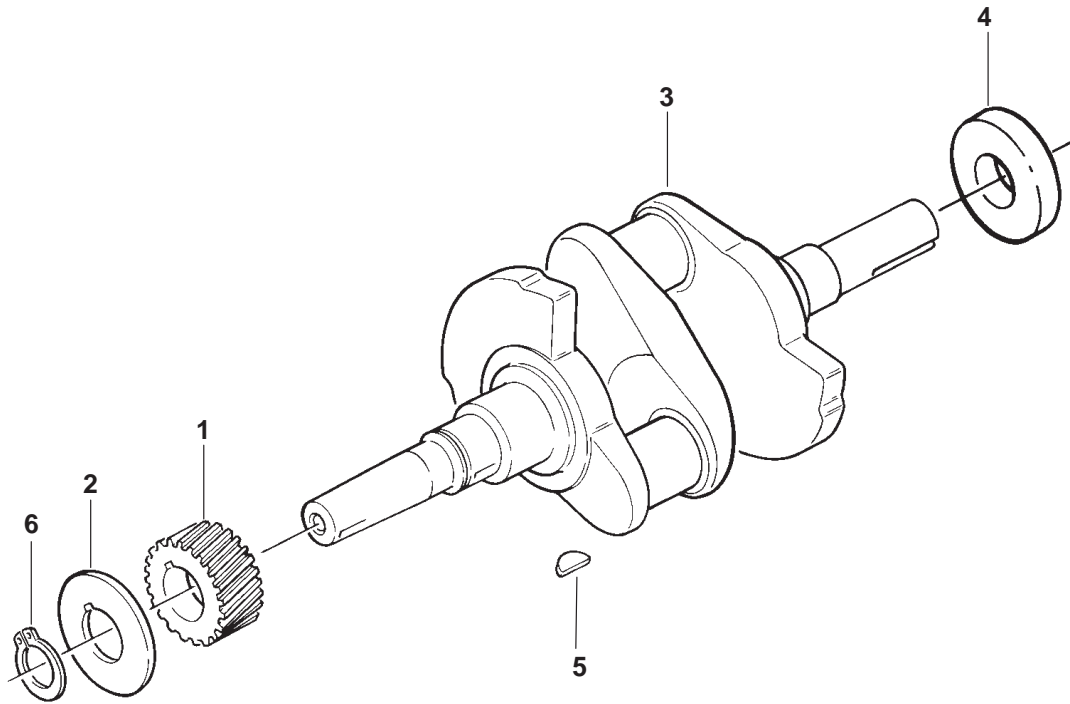
## Camshaft



REF NO.	PART NO.	QTY USED	PART DESCRIPTION	REF NO.	PART NO.	QTY USED	PART DESCRIPTION
1	105-0676	1	Camshaft	4	515-0001	1	Key, Woodruff
2	105-0641	1	Gear (Includes Spacer and Plate)	5	105-0058	1	Plunger, Camshaft
3	105-0541	1	Washer, Thrust	6	105-0059	1	Spring, Plunger

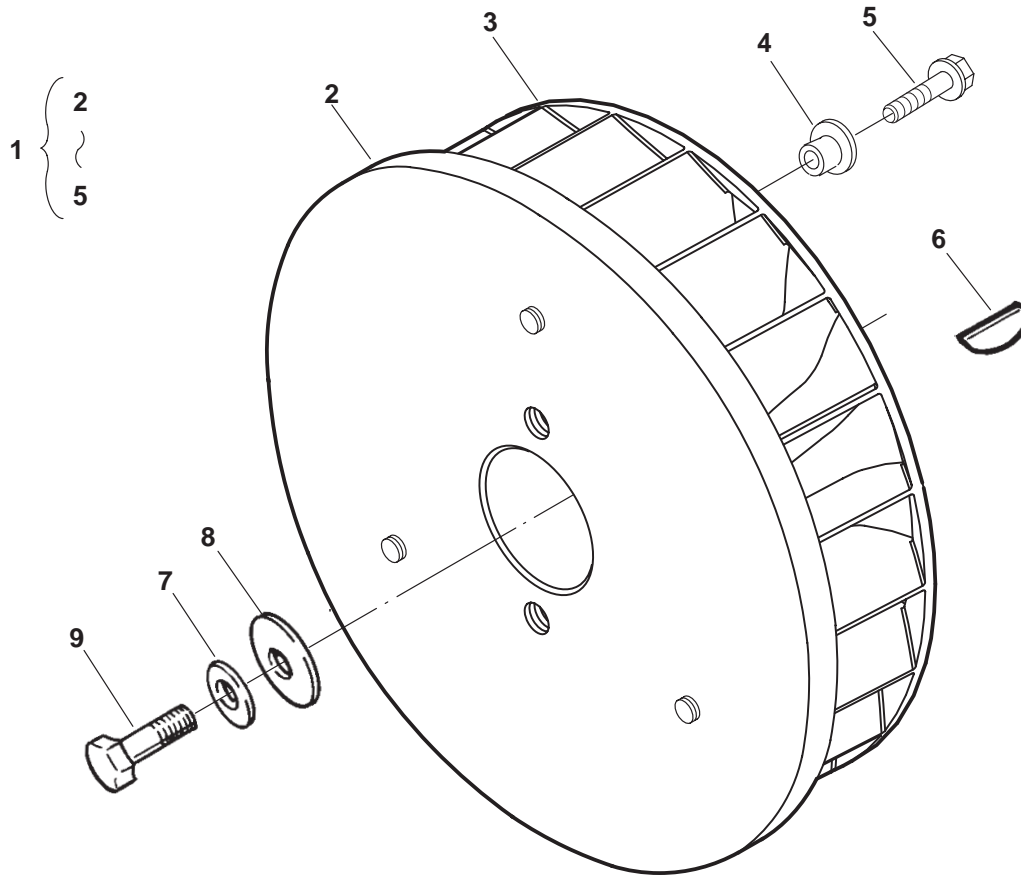


# Crankshaft



REF NO.	PART NO.	QTY USED	PART DESCRIPTION	REF NO.	PART NO.	QTY USED	PART DESCRIPTION
1	104-0032	1	Gear, Crankshaft	4	509-0041	1	Seal, Rear Oil
2	104-0043	1	Washer, Gear	5	515-0001	1	Key, Gear
3	104-1736	1	Crankshaft	6	518-0014	1	Ring, Retaining

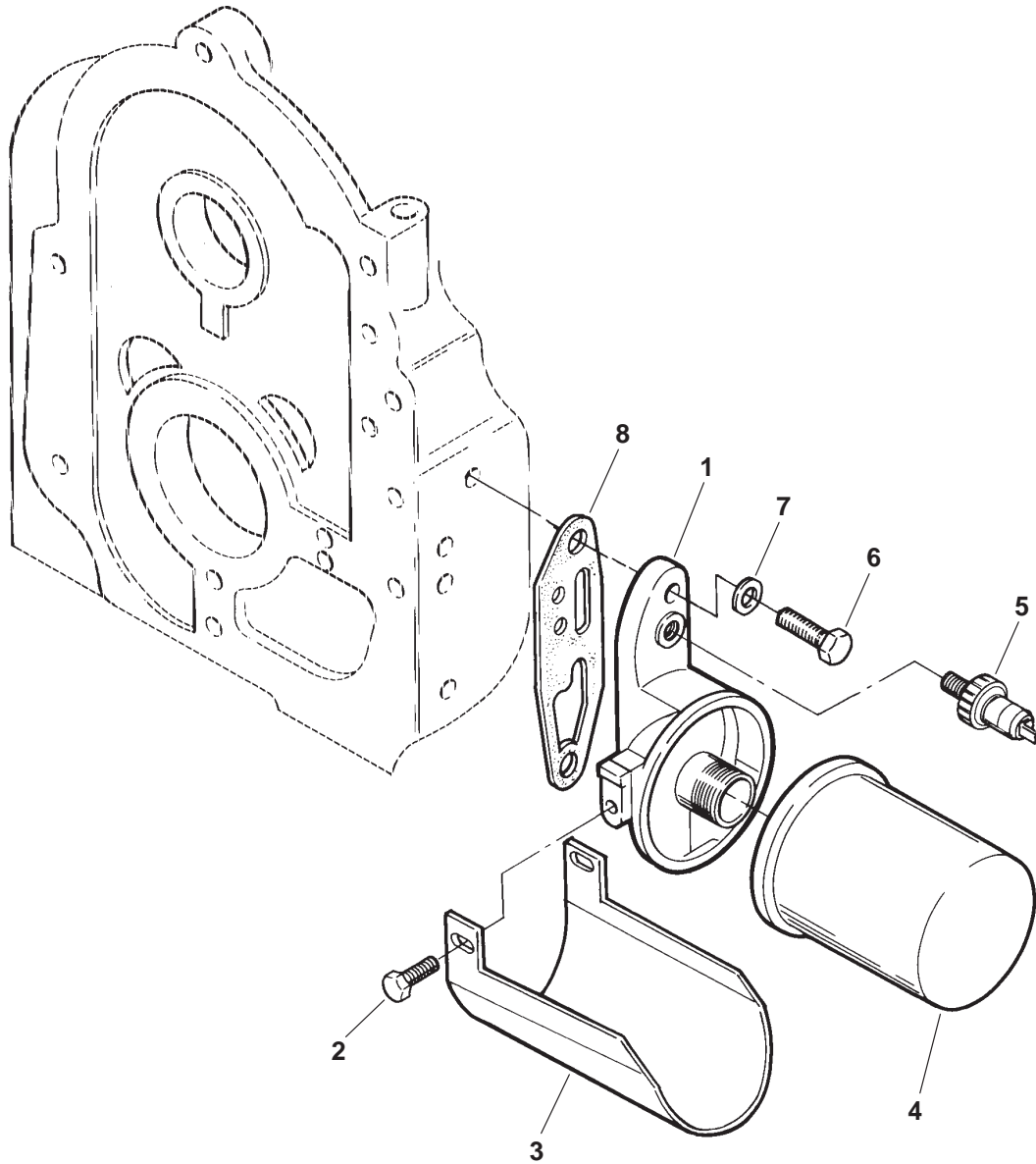
## Blower Wheel



REF NO.	PART NO.	QTY USED	PART DESCRIPTION	REF NO.	PART NO.	QTY USED	PART DESCRIPTION
1	134-5182	1	Wheel, Blower (Includes Parts Marked *)	8	526-0017	1	Washer, Flat (7/16" x 1/4"Thk) Special
2	134-5150	1	*Hub, Blower Wheel	9	104-0170	1	Screw (Special)
3	205-0249	1	*Fan				
4	134-4531	3	*Insert, Fan				
5	821-2034	3	*Screw, Lock Flange				
6	515-0098	1	Key, Blower Wheel				
7	526-0356	1	Washer, Flat (7/16" x 1/8"Thk) Special				

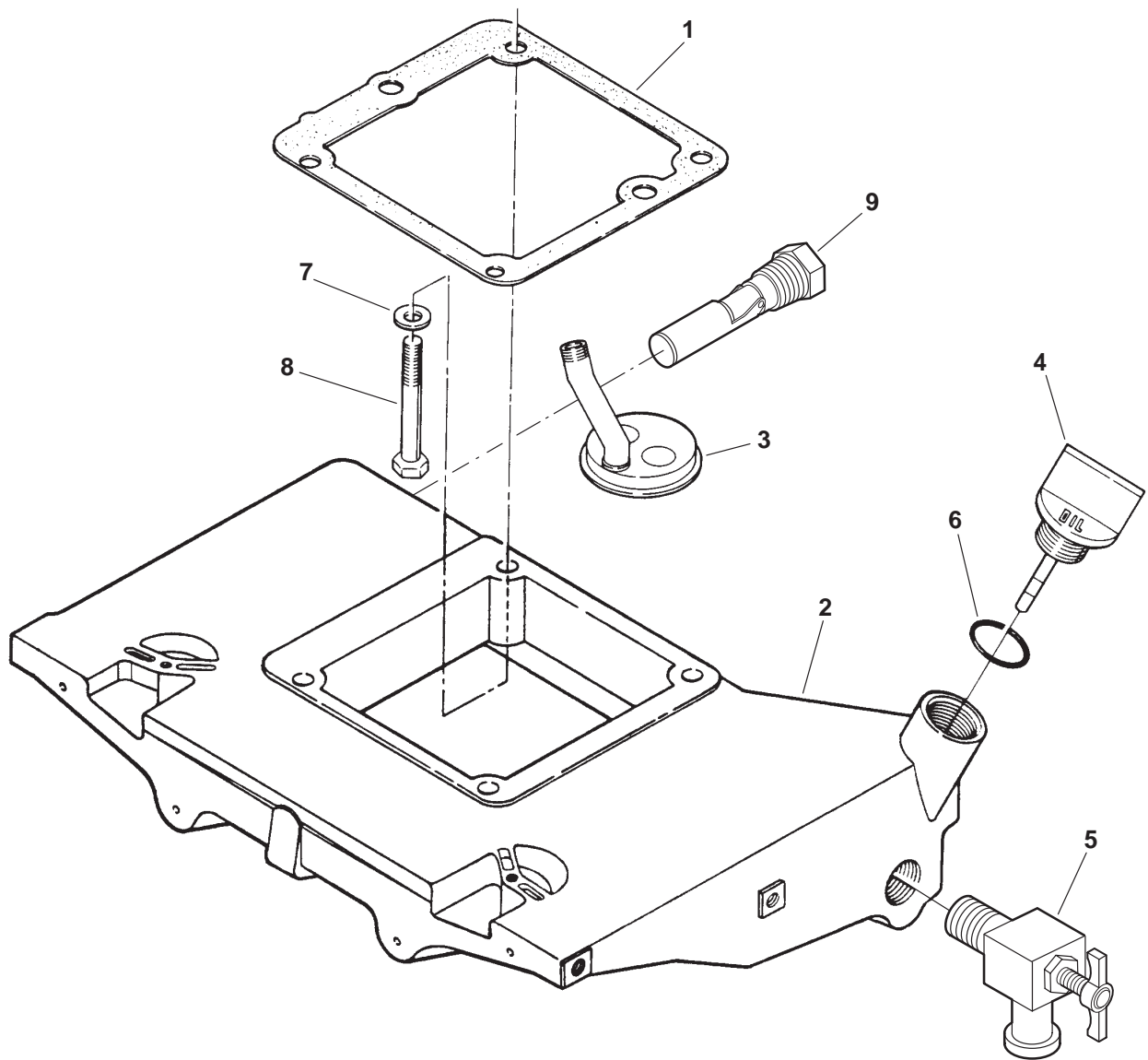
\* - Parts Included in Blower Wheel.

## Oil Filter



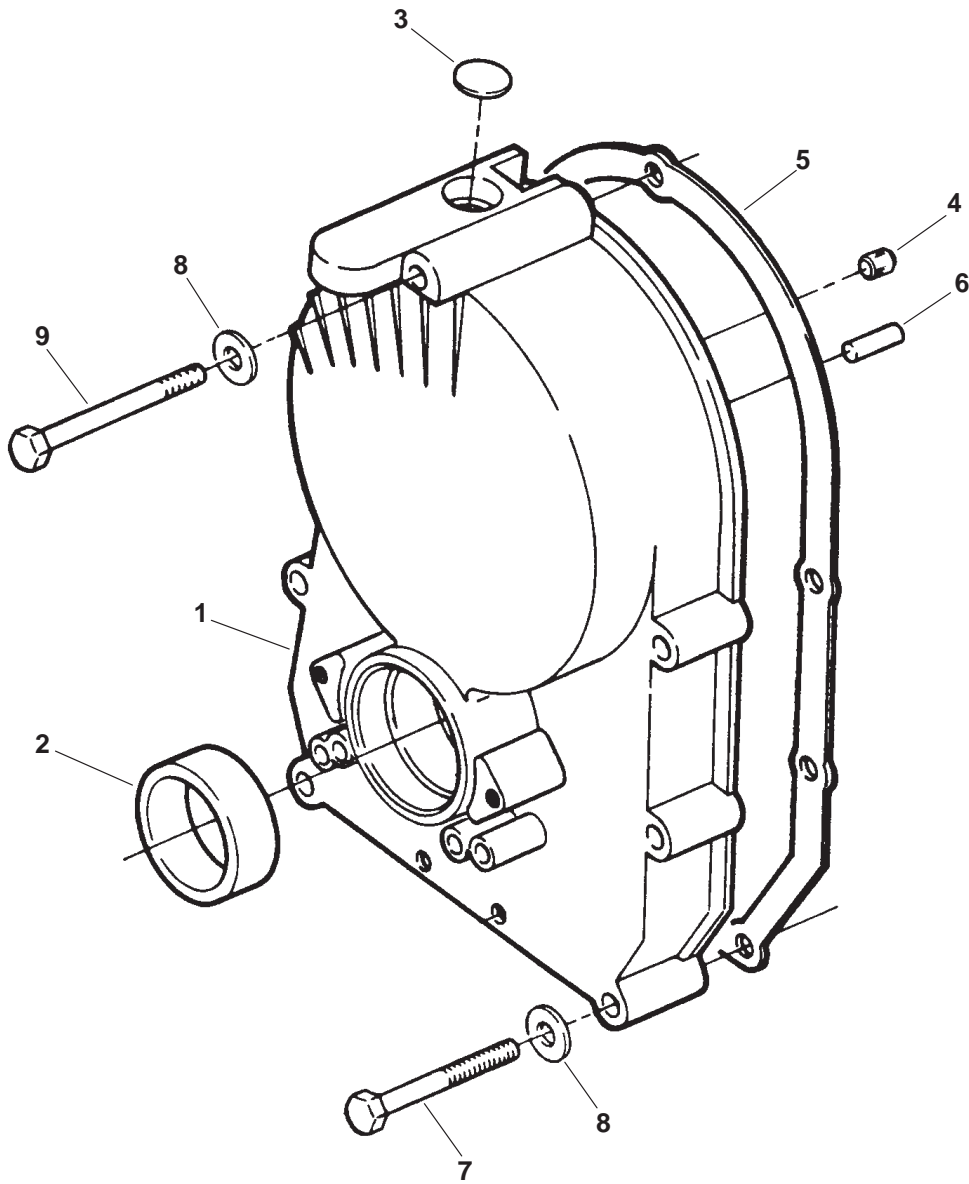
REF NO.	PART NO.	QTY USED	PART DESCRIPTION	REF NO.	PART NO.	QTY USED	PART DESCRIPTION
1	122-0814	1	Adapter, Oil Filter (Includes Screws)	4	122-0469	1	Filter, Oil
2	815-0340	2	Screw, Hex Washer Head Thread Forming (#10-32 x 3/8")	5	309-0615	1	Switch, Low Oil Pressure (S2)
3	122-0360-53	1	Drain, Oil Filter	6	800-0028-01	2	Screw, Hex Head Cap (5/16-18 x 1")
				7	526-0065	2	Washer, Copper Flat (5/16")
				8	122-0771	1	Gasket, Oil Filter Adapter

## Oil Base



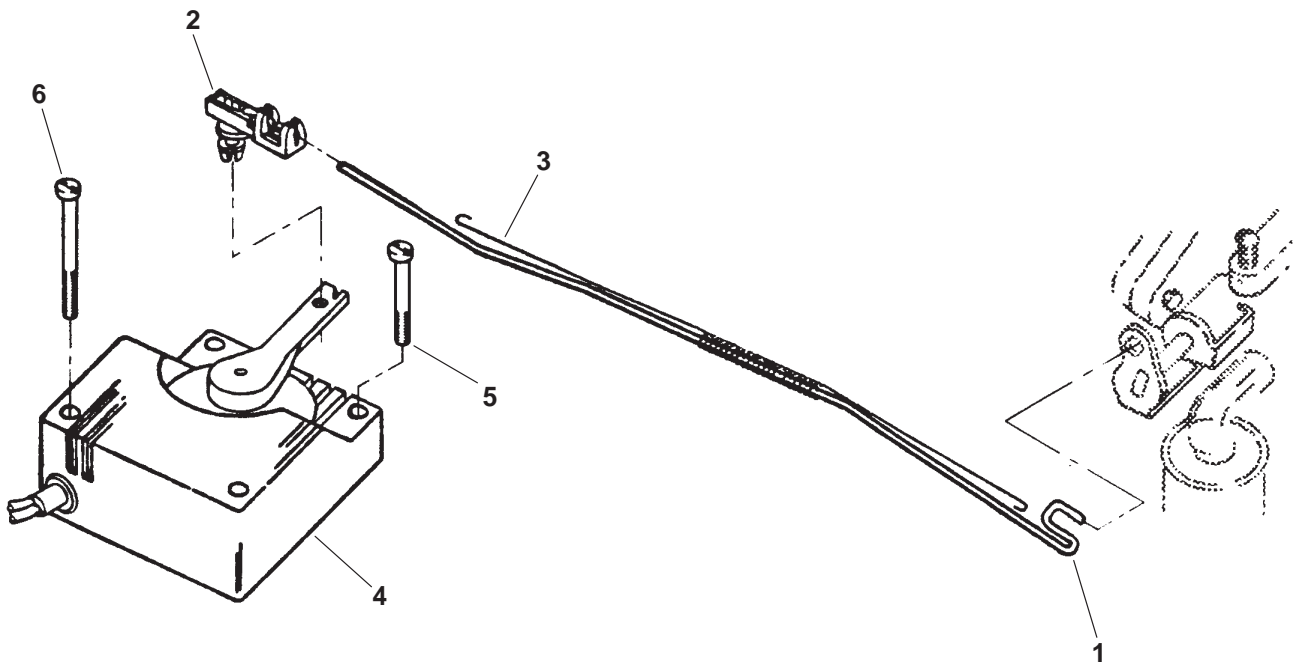
REF NO.	PART NO.	QTY USED	PART DESCRIPTION	REF NO.	PART NO.	QTY USED	PART DESCRIPTION
1	102-1387	1	Gasket, Oil Base	6	509-0246	1	O'Ring (1-1/4" ID)
2	102-1457-02	1	Base, Oil	7	526-0251	4	Washer, Flat (3/8")
3	123-1616	1	Cup, Oil Pickup	8	800-0052-01	4	Screw, Hex Head Cap (3/8-16 x 1-1/2")
4	123-2092	1	Cap, Oil Fill	9	309-0653	1	Switch, Oil Level (S4)
5	504-0150	1	Valve, Shut-Off				

## Gearcase



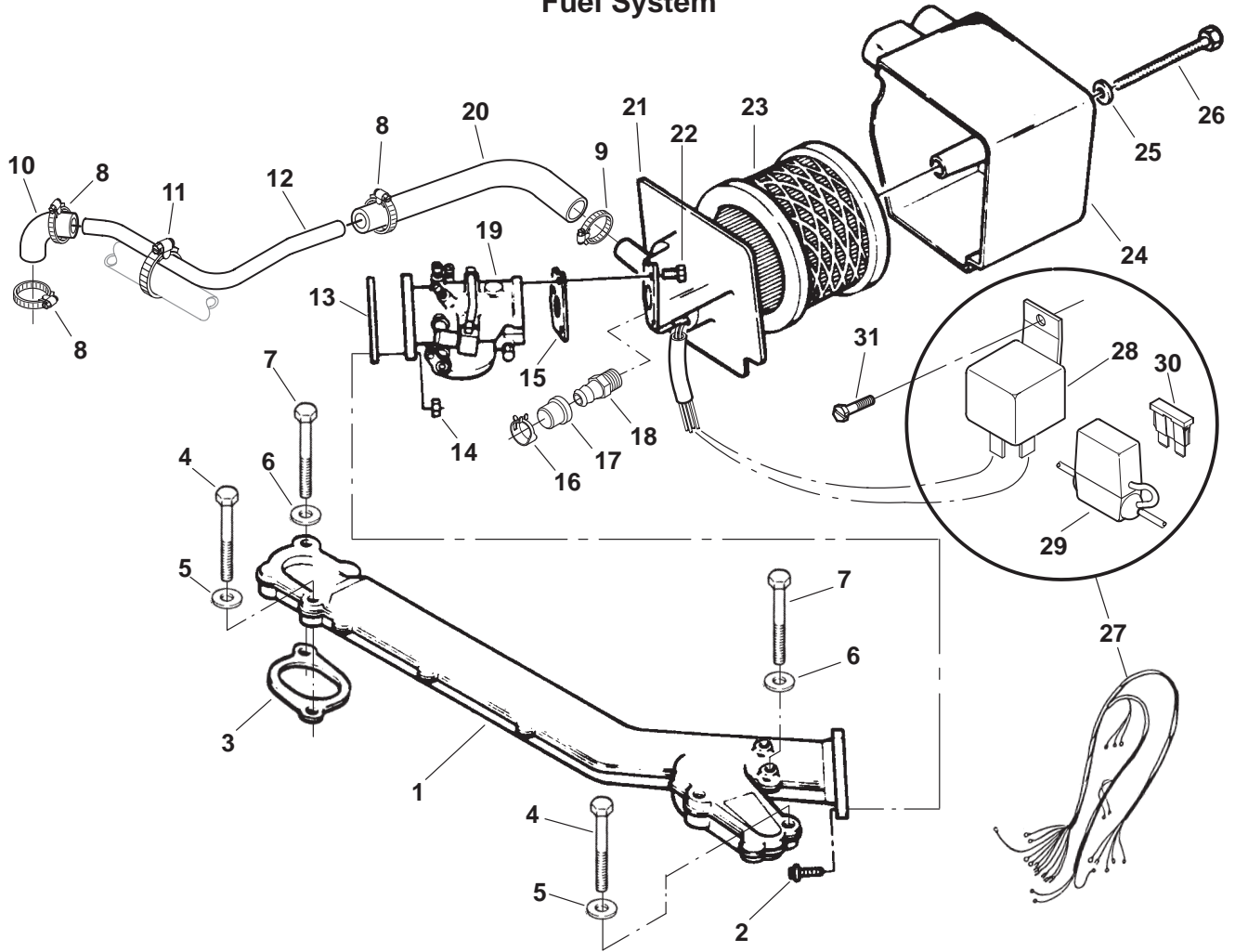
REF NO.	PART NO.	QTY USED	PART DESCRIPTION	REF NO.	PART NO.	QTY USED	PART DESCRIPTION
1	103-0813	1	Gearcase (Includes Oil Seal and Plugs)	6	516-0141	2	Pin, Alignment
2	509-0040	1	Seal, Oil	7	800-0032-01	4	Screw, Hex Head Cap (5/16-18 x 1-3/4")
3	517-0293	1	Plug, Expansion	8	526-0065	5	Washer, Flat (5/16")
4	516-0051	1	Plug, Gearcase	9	800-0545	1	Screw, Hex Head Cap (2-3/4" Lg.)
5	103-0810	1	Gasket, Gearcase				

# Governor



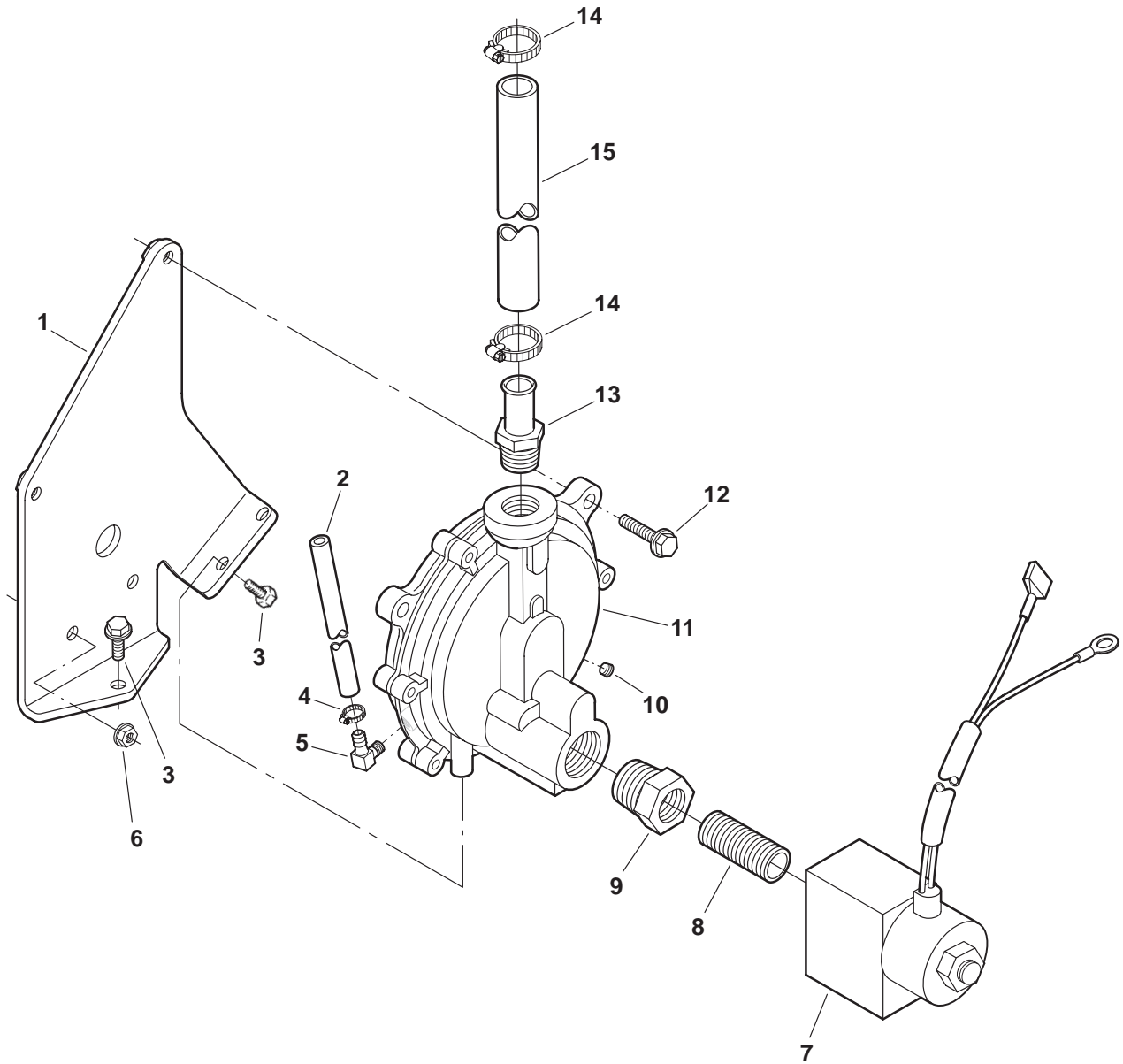
REF NO.	PART NO.	QTY USED	PART DESCRIPTION	REF NO.	PART NO.	QTY USED	PART DESCRIPTION
1	150-2424	1	Rod, Throttle Control	5	815-0783-01	2	Screw, Pan Head (10-32 x 1.625" Lg)
2	150-2425	1	Clip, Throttle Control Rod	6	815-0783-02	2	Screw, Pan Head (10-32 x 2.125" Lg)
3	150-2426	1	Spring, Throttle Rod				
4	151-0701	1	Actuator, Governor (K4)				

## Fuel System



REF NO.	PART NO.	QTY USED	PART DESCRIPTION	REF NO.	PART NO.	QTY USED	PART DESCRIPTION
1	154-3027	1	Manifold, Intake	20	123-2097	1	Adapter, Breather Tube (Air Cleaner Adapter End)
2	815-0587	2	Screw, Hex Washer Head (Special) (5/16-18 x 1")	21			Adapter, Air Cleaner (Includes Heater)
3	154-2219	2	Gasket, Intake Manifold	140-3094-00	1		Natural Gas (W/Fuel Hose Connection Hole)
4	800-0055-01	2	Screw, Hex Head Cap (3/8-16 x 2-1/4")	140-3094-01	1		LP Vapor (W/O Fuel Hose Connection Hole)
5	526-0251	2	Washer, Flat (3/8")	22	815-0590	3	Screw, Hex Head Cap (Special) (10-32 x 1/2")
6	526-0122	2	Washer, Flat (5/16")	23	140-2379	1	Element, Air Cleaner
7	800-0034-01	2	Screw, Hex Head Cap (5/16-18 x 2-1/4")	24	140-2962	1	Housing, Air Cleaner
8	503-1336	3	Clamp, Breather Tube Hose (.900" Diameter)	25	526-0021	1	Washer, Flat (1/4")
9	503-1337	1	Clamp, Breather Tube Hose	26	800-0017	1	Screw, Hex Head Cap (1/4-20 x 3-1/2")
10	123-2096	1	Adapter, Breather Tube (Engine Breather End)	27	338-3600	1	Harness, Carburetor Heater (Includes Relay, Fuse Holder and Fuse)
11	503-0189	1	Clamp, Hose	28	307-1886	1	Relay (K2)
12	123-2098	1	Tube, Breather	29	321-0325	1	Holder, Fuse
13	141-0958	1	Gasket, Carburetor Mounting	30	321-0307-08	1	Fuse (25A) (F3)
14	862-0015	2	Nut, Hex (5/16-18)	31	815-0181	1	Screw, Hex Head Thread Cutting
15	140-2308	1	Gasket, Air Horn				
16	503-0731	1	Clamp, Hose (Spec A-B)				
17	149-1321	1	Cap, Fuel Fitting (Spec A-B)				
18	502-0395	1	Connector, Hose (Spec A-B)				
19			Carburetor				
	146-0718	1	Natural Gas				
	146-0734	1	LP Vapor				

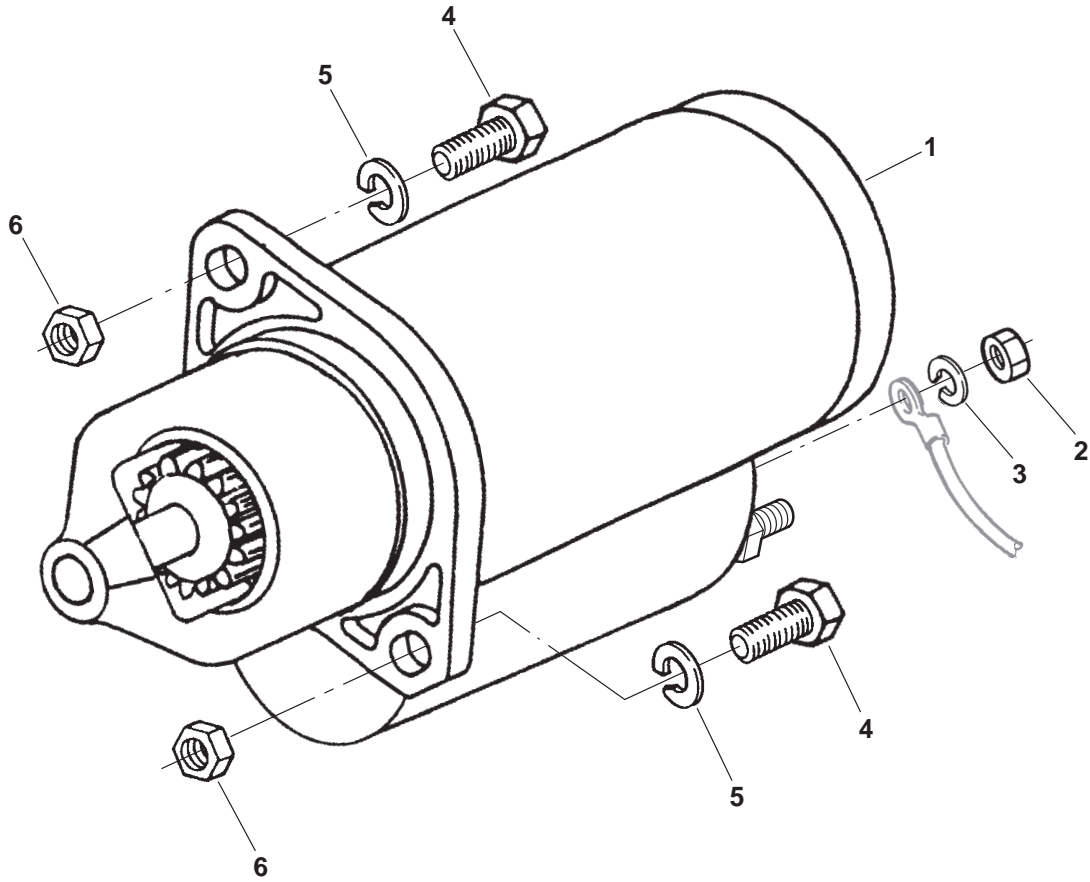
# Regulator



REF NO.	PART NO.	QTY USED	PART DESCRIPTION	REF NO.	PART NO.	QTY USED	PART DESCRIPTION
1	148-1121-02	1	Bracket, Regulator Mounting	8	505-0101	1	Nipple, Close (3/8")
2	503-2043	1	Hose, Regulator Vent	9	505-0131	1	Bushing, Reducer
3	821-0010	3	Screw, Lock Head Flange (1/4-20 x 1/2")	10	505-0274	1	Plug, Countersunk Head (1/8")
4	503-0685	1	Clamp, Hose	11	148-1020	1	Regulator, Natural Gas/LP
5	502-0313	1	Elbow, 90° Hose	12	821-0003	2	Screw, Lock Head (10-32 x 1")
6	870-0212	2	Nut, Self Lock (1/4-20)	13	502-0238	1	Connector, Hose
7	307-2880	1	Valve, Fuel Shut-Off	14	503-0183	2	Clamp, Hose
				15	503-2016	1	Hose, Fuel (1/2" x 22" Lg)



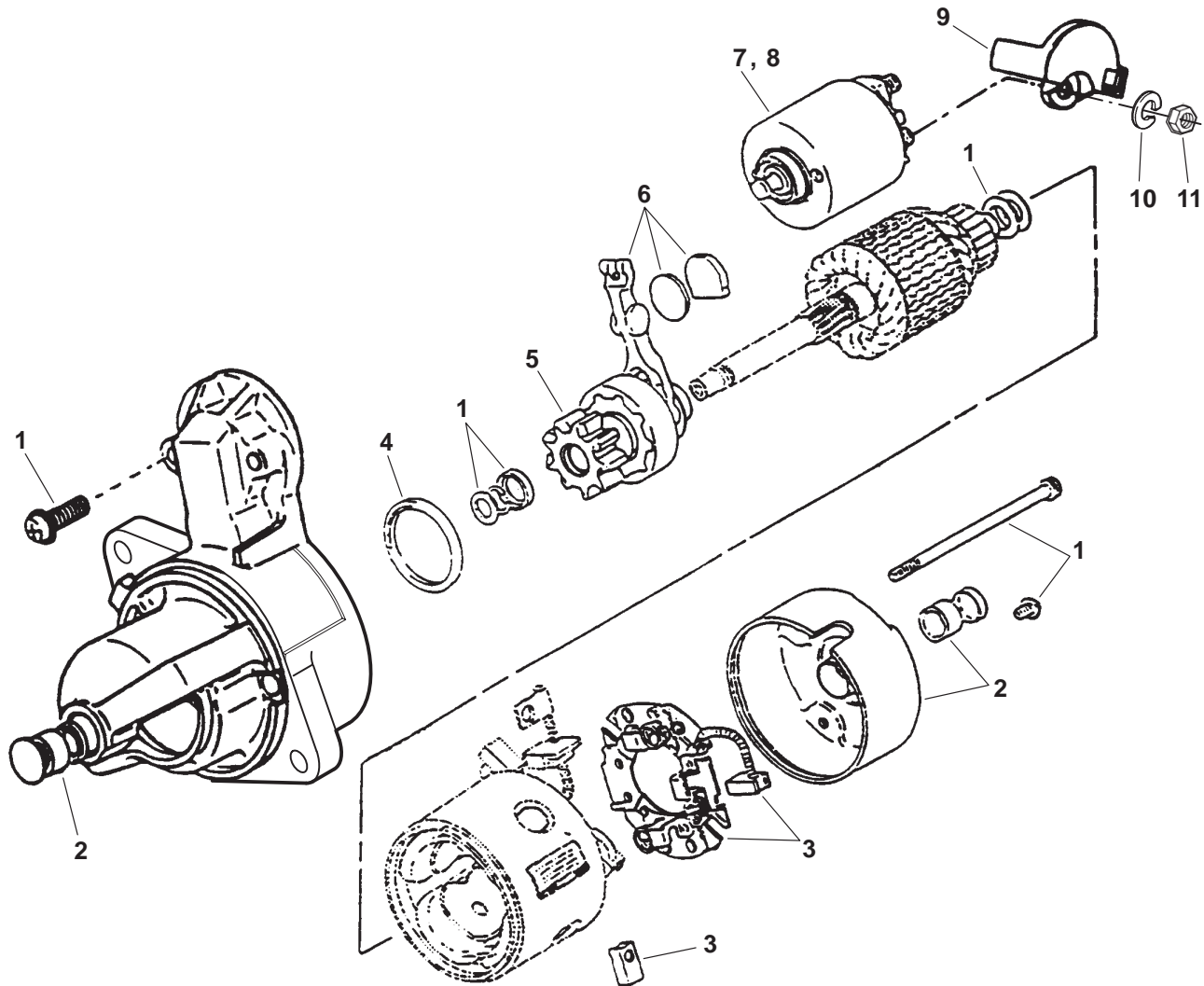
## Starter



REF NO.	PART NO.	QTY USED	PART DESCRIPTION	REF NO.	PART NO.	QTY USED	PART DESCRIPTION
1	191-1949-09	1	Starter (See Separate Page for Components) (B1)	4	800-0054	2	Screw, Cap Hex Head (3/8-16 x 2")
2	750-1006	1	Nut, Hex (M8 x 1.25)	5	850-0050	2	Washer, Lock (3/8")
3	850-2008	1	Washer, Lock (M8)	6	862-0003	2	Nut, Hex Spring (3/8-16)

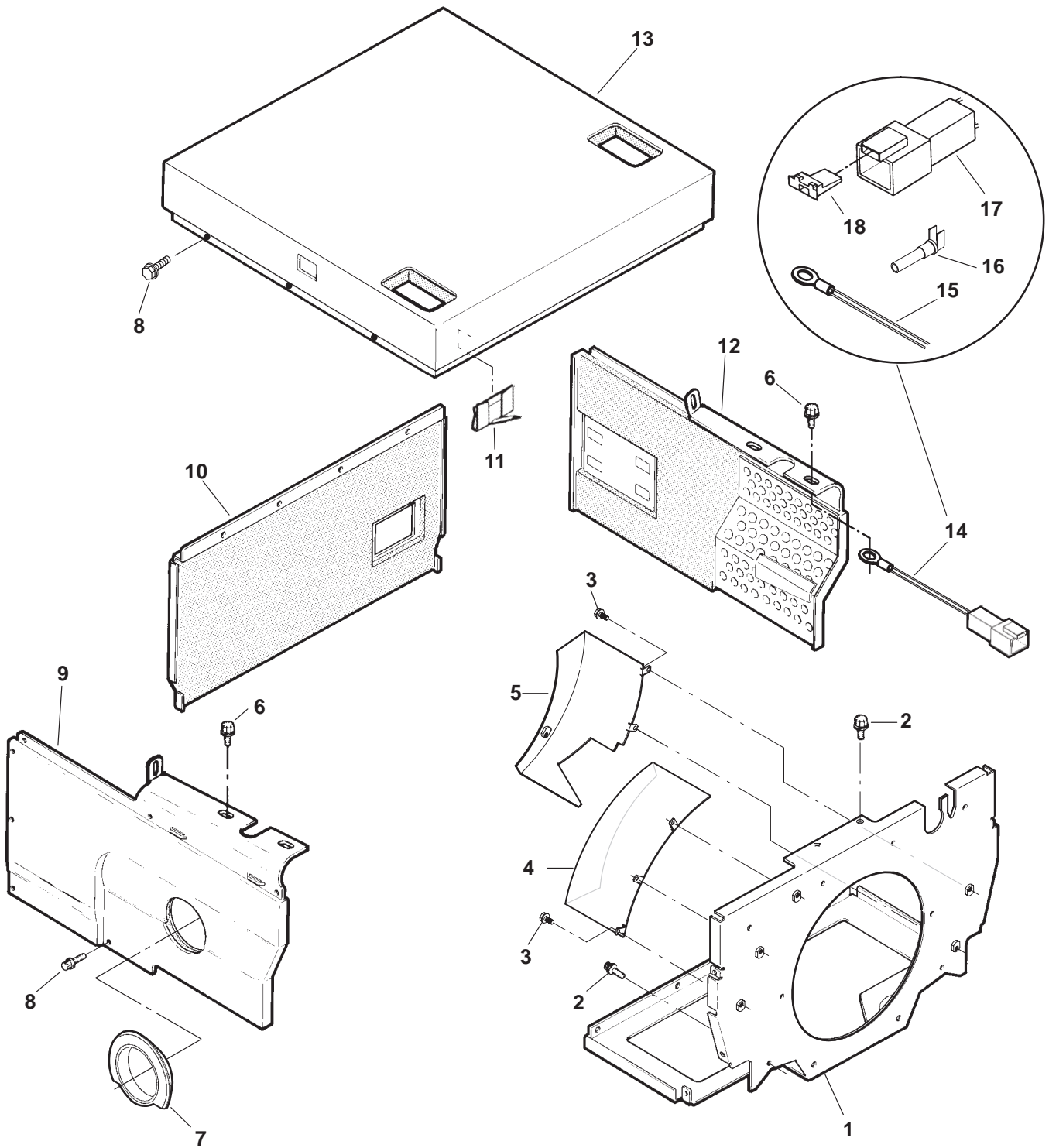


## Starter Components



REF NO.	PART NO.	QTY USED	PART DESCRIPTION	REF NO.	PART NO.	QTY USED	PART DESCRIPTION
	191-1949-09	1	Starter	5	191-1953	1	Kit, Drive (Includes Pinion Gear & Drive Assy)
1	191-1954	1	Kit, Hardware (Includes Two Solenoid Mounting Screws, Two Thru Bolts, Armature Shims, Pinion Stop Collar, Retaining Ring & Solenoid Terminal Nuts)	6	191-1766	1	Kit, Lever Shift (Includes Lever, Wear Plate, Rubber Plug & Grease)
2	191-1931	1	Kit, Bushing (Includes Rear Cap with Bushing & Front Bushing)	7	191-1956	1	Kit, Solenoid (Includes Solenoid & Spring Plunger)
3	191-1951	1	Kit, Brush (Includes Two Negative and Two Positive Brushes & Brush Holder)	8	191-2199-01	1	Solenoid
4	191-1955	1	Kit, Dust Seal (Includes ID & OD Pinion Seals)	9	191-1947	1	Cap, Solenoid
				10	850-2008	1	Washer, Lock (M8)
				11	750-1006	1	Nut, Hex (M8)

# Air Housing

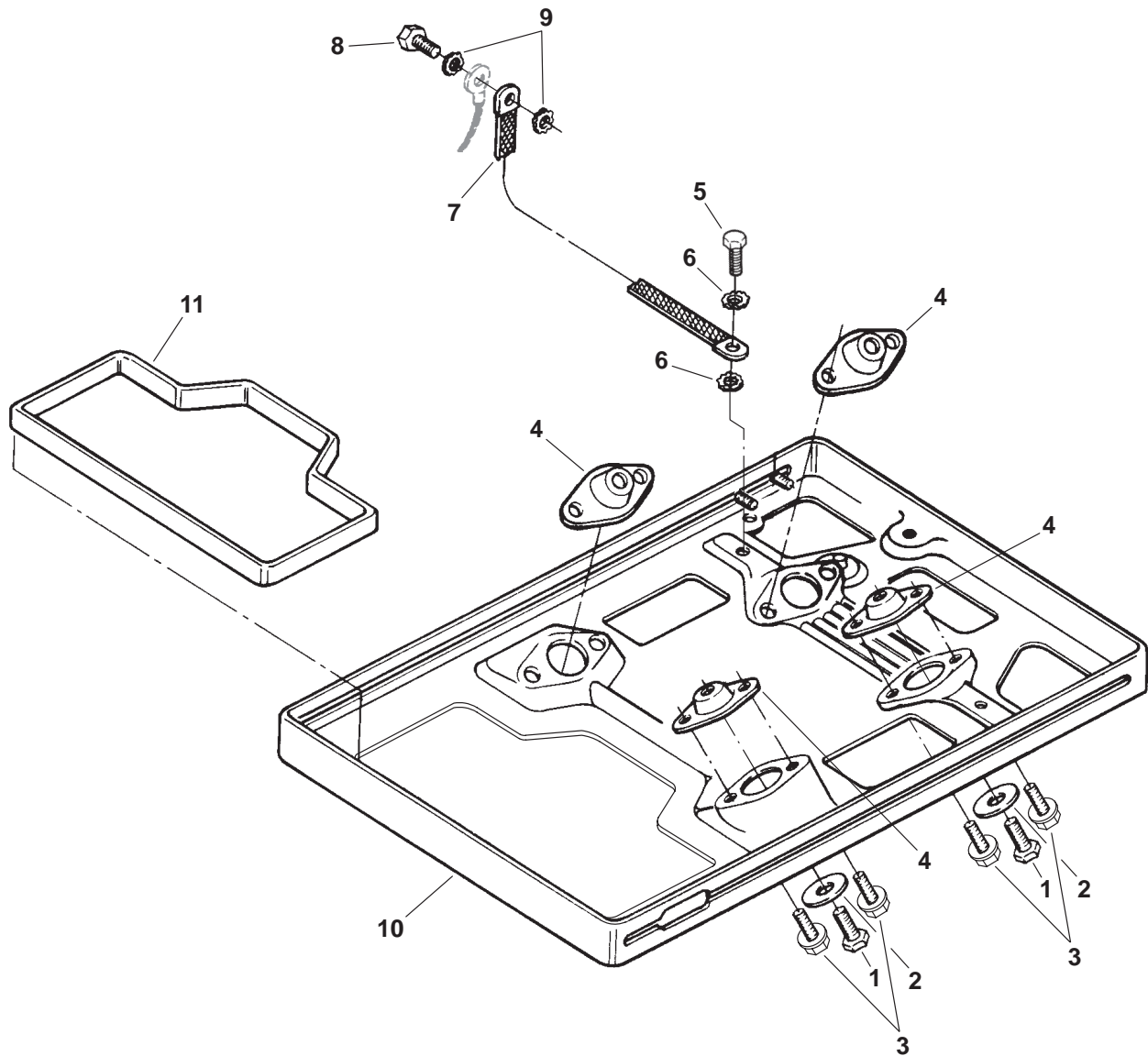


## Air Housing

REF NO.	PART NO.	QTY USED	PART DESCRIPTION	REF NO.	PART NO.	QTY USED	PART DESCRIPTION
1	134-5134-02	1	Backplate	12	134-4892	1	Cover, Left Side (Includes Indented Parts Listed Below)
2	815-0261	5	Screw, Hex Washer Head Cap Thread Forming (1/4-20 x 1/2")		134-4790-50	1	Cover, Inner Cylinder Head
3	821-0002	6	Screw, Lock Head Flange (10-32 x 1/4")		518-0581	5	Nut, Insulation Push On
4	134-5139-02	1	Volute, Right Side		815-0815	4	Screw, Torx Drive (1/4-20 x 1/2")
5	134-5138-02	1	Volute, Left Side		518-0574	4	Clip, Access Cover (1/4-20)
6	815-0508	4	Screw, Self-Locking Hex Washer Head (5/16-18 x .75")		134-4771-50	1	Cover, Tailpipe Access
7	122-0829	1	Seal, Oil Filter Air		134-4776	1	Insulation, Cylinder Head
8	815-0815	28	Screw, Hex Washer Head (1/4-20 x 1/2")		134-4769	1	Insulation, Muffler Box
9	134-4891	1	Cover, Right Side (Includes Indented Parts Listed Below)	13	134-5160-01	1	Cover, Top (Includes Indented Parts Listed Below and Spark Plug Wire Clip)
	134-4792-50	1	Cover, Inner Cylinder Head		134-4935	1	Insulation
	134-4765	1	Insulation, Cylinder Head		134-4805	1	Insulation, Right Hand
	134-4768	1	Insulation, Muffler Box		134-4806	1	Insulation, Left Hand
	518-0581	5	Nut, Insulation Push-On		134-4807	1	Insulation, Front
10	134-5166	1	Panel, Front (Includes Indented Parts Listed Below)		518-0581	3	Nut, Insulation Push-On
	134-4994	1	Insulation	14	309-0654	1	Sensor, Engine Temperature (Includes Parts Marked *)
	134-4771-50	1	Cover, Tailpipe Access	15	305-0957	1	Thermister
	518-0574	4	Clip, Access Cover (1/4-20)	16	323-1491	2	Terminal, Pin
	815-0815	4	Screw, Torx Drive Access Cover (1/4-20 x 1/2")	17	323-1505	1	Connector, Receptacle
	518-0581	5	Nut, Insulation Push On	18	323-1501	1	Wedge, Receptacle
11	518-0618	1	Clip, Spark Plug Wire				

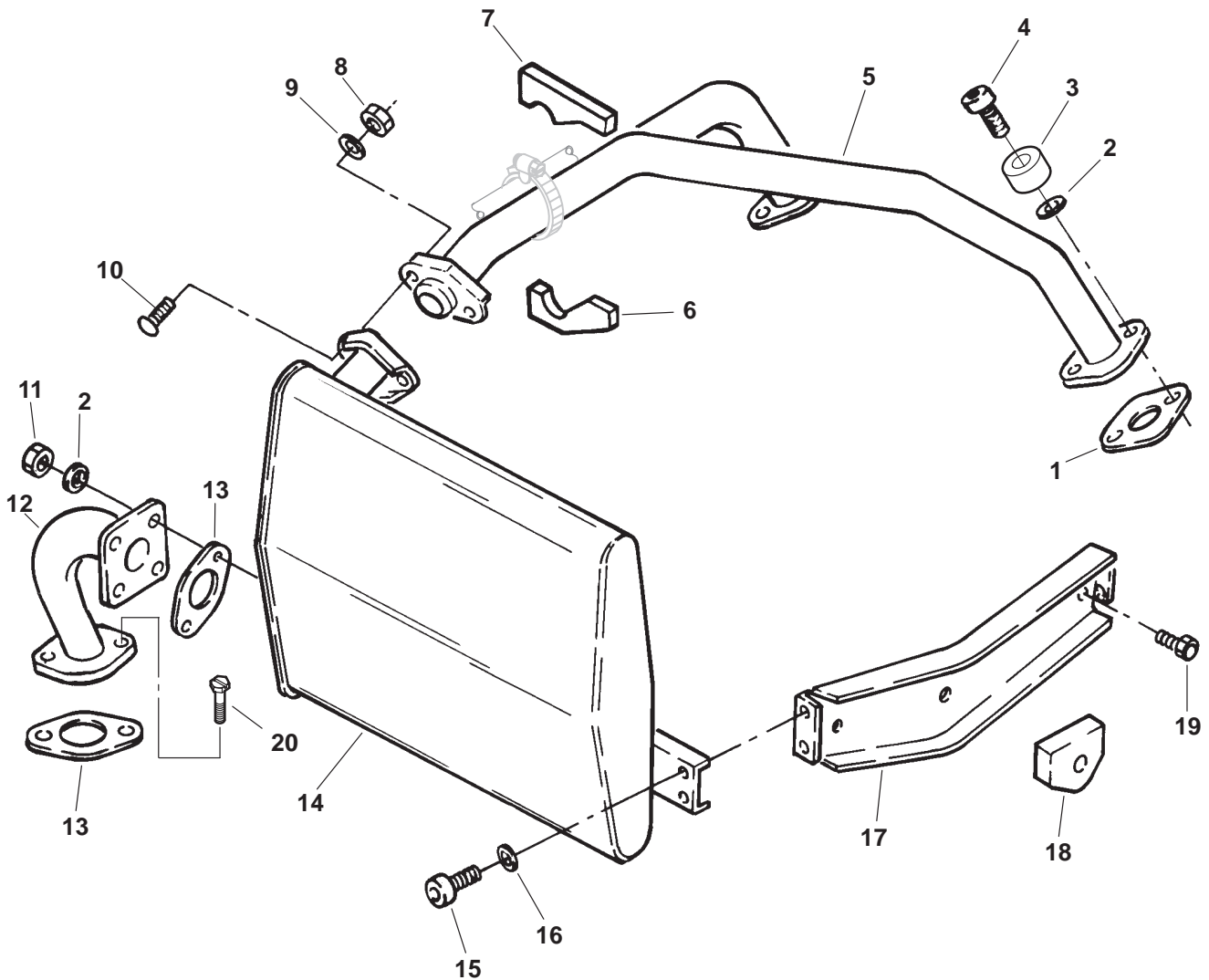
\* - Parts Included in Engine Temperature Sensor.

## Drip Pan



REF NO.	PART NO.	QTY USED	PART DESCRIPTION	REF NO.	PART NO.	QTY USED	PART DESCRIPTION
1	815-0657	4	Screw, Hex Head Cap Thread Forming (3/8-16 x 2-3/4")	6	856-0008	2	Washer, EIT Lock (5/16")
2	526-0325	4	Washer, Flat (13/32)	7	337-2434	1	Strap, Ground
3	821-0010	8	Screw, Self-Locking Hex Flange Head (1/4-20 x 1/2")	8	815-0610	1	Screw, Hex Head Cap Thread Forming (1/4-20 x 1")
4	402-0624	4	Isolator, Vibration	9	856-0006	2	Washer, EIT Lock (1/4")
5	815-0236	1	Screw, Hex Head Thread Cutting (5/16-18 x 5/8")	10	403-4132-02	1	Pan, Drip
				11	134-4745	1	Seal, Air Outlet

## Exhaust System

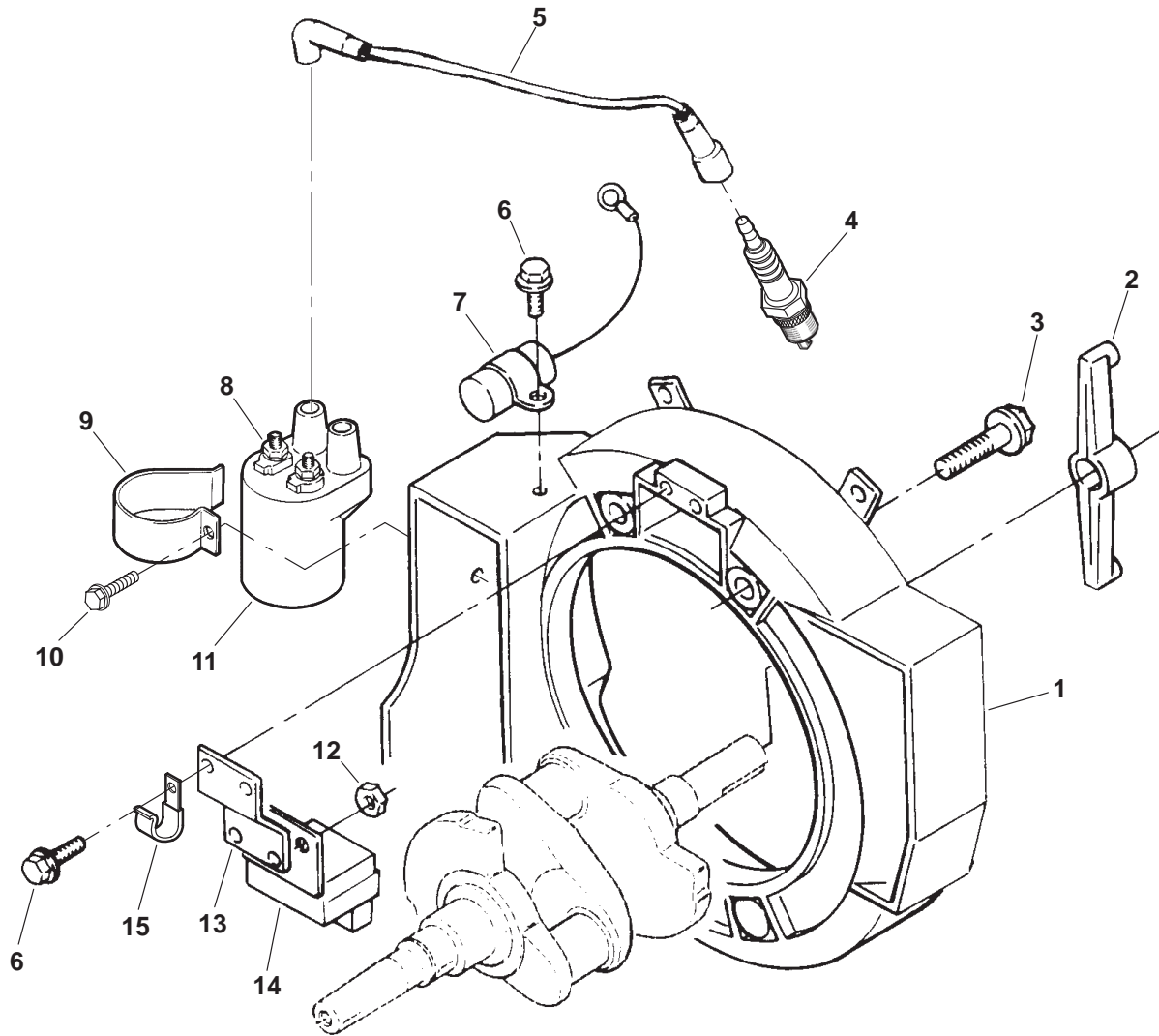


REF NO.	PART NO.	QTY USED	PART DESCRIPTION	REF NO.	PART NO.	QTY USED	PART DESCRIPTION
1	154-2747	2	Gasket, Exhaust Manifold	12	155-2428	1	Steel
2	740-1006	6	Washer, Flat (M8)	13	154-2765	2	Gasket, Muffler (LP Use 1)
3	154-2870	4	Spacer, Washer	14	155-3156	1	Muffler
4	802-0057-01	4	Screw, Socket Head (5/16-18 x 1")	15	815-0337	4	Screw, Hex Washer Head Cap Thread Forming (1/4-20 x 3/4")
5	154-3024	1	Manifold, Exhaust	16	526-0018	4	Washer, Flat (1/4")
6	134-4932-02	1	Insulation, Exhaust Manifold	17	155-2558	2	Support, Muffler
7	134-4928-02	1	Insulation, Exhaust Manifold	18	155-2415	2	Seal, Muffler Support
8	870-0048	2	Nut, Self-Locking (5/16-18 x 1-1/2)	19	815-0890	4	Screw, Hex Head Lock Flange Thread Form (3/8-16 x 1)
9	526-0122	2	Washer, Flat (Special) (5/16")	20	800-0730	2	Screw, Hex Head
10	816-0140	2	Bolt, Carriage (5/16-18 x 1-1/4")				
11	862-0014	2	Nut, Hex (5/16-18) Stainless				



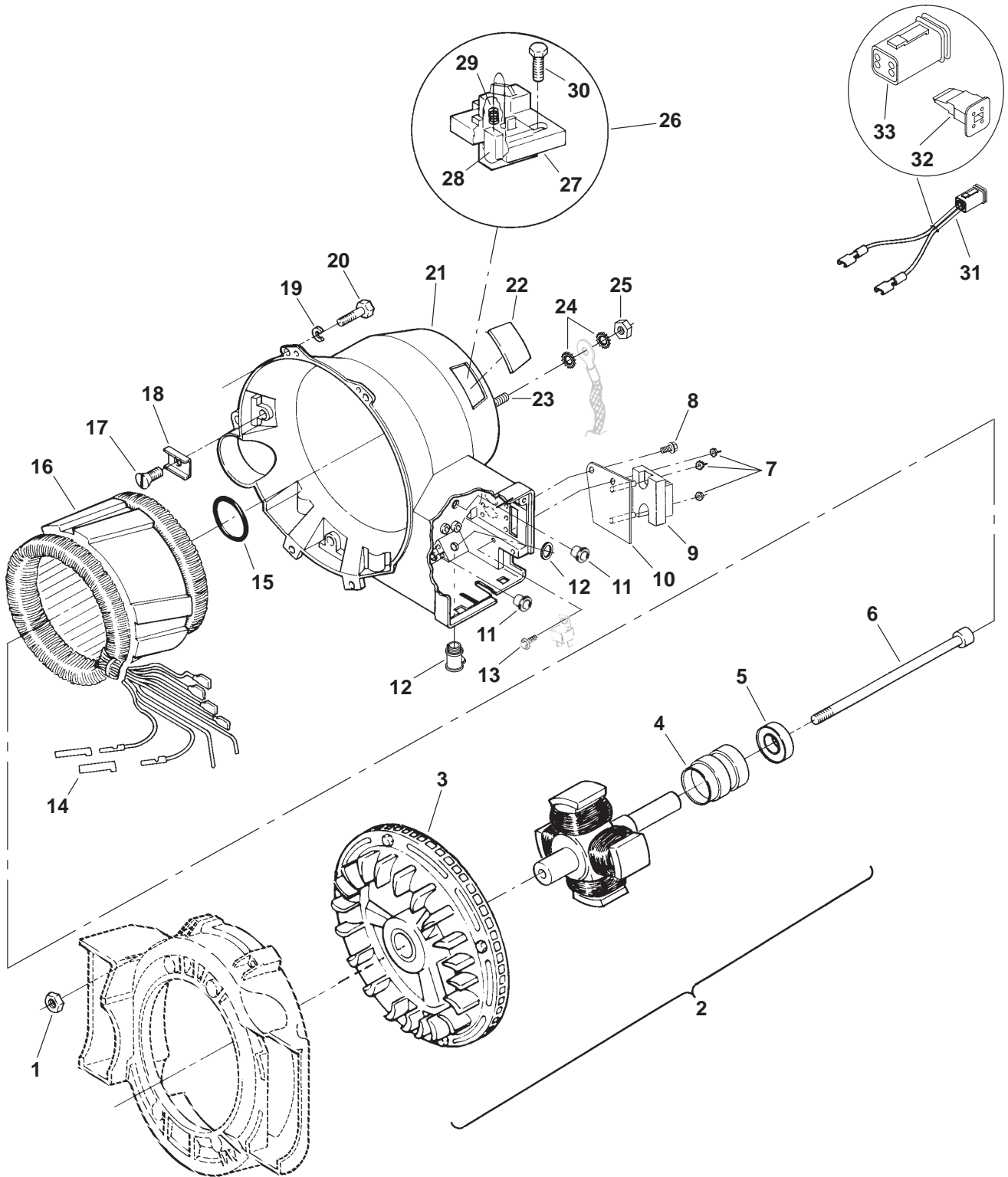


## Generator Adapter



REF NO.	PART NO.	QTY USED	PART DESCRIPTION	REF NO.	PART NO.	QTY USED	PART DESCRIPTION
1	231-0382-01	1	Adapter, Generator	8			Nut, Hex Flange
2	166-0842-01	1	Rotor, Ignition	166-0770	2		M4 – Positive Terminal
3	800-0575-01	4	Screw, Hex Flange Head Cap (3/8-16 x 1")	166-0771	2		M5 – Negative Terminal
4	167-0272	2	Plug, Spark (E1, E2)	9	166-0747	1	Bracket, Ignition Coil
5	167-1615-01	1	Cable, Spark Plug 9"	10	815-0290	1	Screw, Self-Locking Hex Washer Head Thread Forming (1/4-20 x 5/8")
	167-1615-05	1	23"	11	166-0820	1	Coil, Ignition (T1)
6	815-0770	3	Screw, Self-Locking Hex Washer Head Thread Forming (#10-32 x 1/2")	12	870-0328	2	Nut, Self-Locking (#10-32)
7	312-0256	1	Capacitor (C2)	13	166-0794	1	Bracket, Ignition Control
				14	166-0821	1	Module, Ignition Control (S3)
				15	332-3198	1	Clip, Wire

# Generator



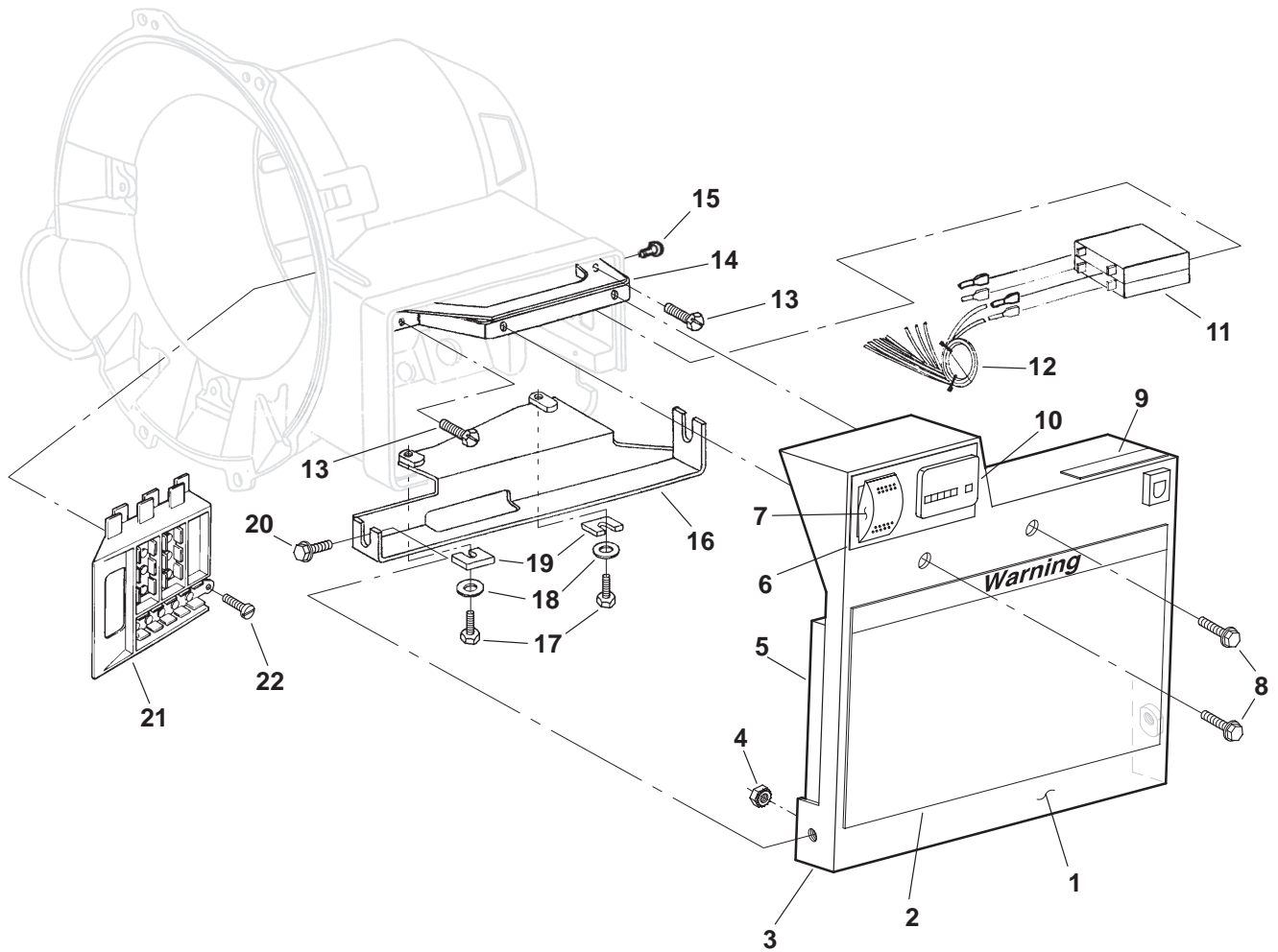
## Generator

REF NO.	PART NO.	QTY USED	PART DESCRIPTION	REF NO.	PART NO.	QTY USED	PART DESCRIPTION
1	862-0003	4	Nut, Hex (3/8-16)	20			Screw
2	201-3525-01	1	Rotor, Generator (Includes Parts Marked *)	800-0052	4		Hex Head Cap (3/8-16 x 1-1/2")
3	205-0241	1	*Fan, Generator (Includes Ring Gear)	815-0908	4		Thread Cutting
4	204-0134	1	*Ring, Collector	21 220-4532-03	1		Housing, Generator Stator
5	510-0099	1	*Bearing, Ball	22 212-1284	1		Cover, Brush Block Access
6	802-1038	1	Screw, Socket (7/16-14 x 10-7/32")	23 332-3328	1		Stud, Grounding (5/16-18 x 1-1/2")
7	870-0131	3	Nut, ET Hex (10-32)	24 856-0008	2		Washer, EIT Lock (.32)
8	815-0652	1	Screw, Hex Head Slot (10-32 x 1/2")	25 870-0257	1		Nut, Self Lock (5/16-18)
9	305-0784	1	Charger, Battery (VR2)	26 212-1285	1		Block, Generator Brush (Includes Parts Marked #)
10	305-0943-02	1	Bracket, Battery Charger	27 212-1286	1		#Block, Brush
11	508-0272	2	Grommet	28 214-0103	2		#Brush, Generator
12	331-0536	2	Connector, Conduit	29 212-1276-03	2		#Spring, Generator Brush
13	821-0005	1	Screw, Lock Head Flange (10-32 x 1/2")	30 815-0788	2		Screw, Pan Head Torx (#10-32 x 7/8")
14	332-0819	2	Housing, Push On Connector	31 338-3441	1		Harness, Genset (Includes Wedge and Housing)
15	509-0196	1	O'Ring	32 323-1548	1		Wedge, Plug (4 Pin)
16			Stator, Generator	33 323-1546	1		Housing, Plug (4 Pin)
	220-4135-09	1	60Hz				
	220-4135-10	1	50Hz				
17	815-0290	3	Screw, Countersunk Torx Drive Thread Forming (3/8-16 x 1")				
18	232-2955-02	3	Clamp, Stator				
19	850-0050	4	Washer, Spring Lock (3/8")				

\* - Parts Included in Generator Rotor.

# - Parts Included in Generator Brush Block.

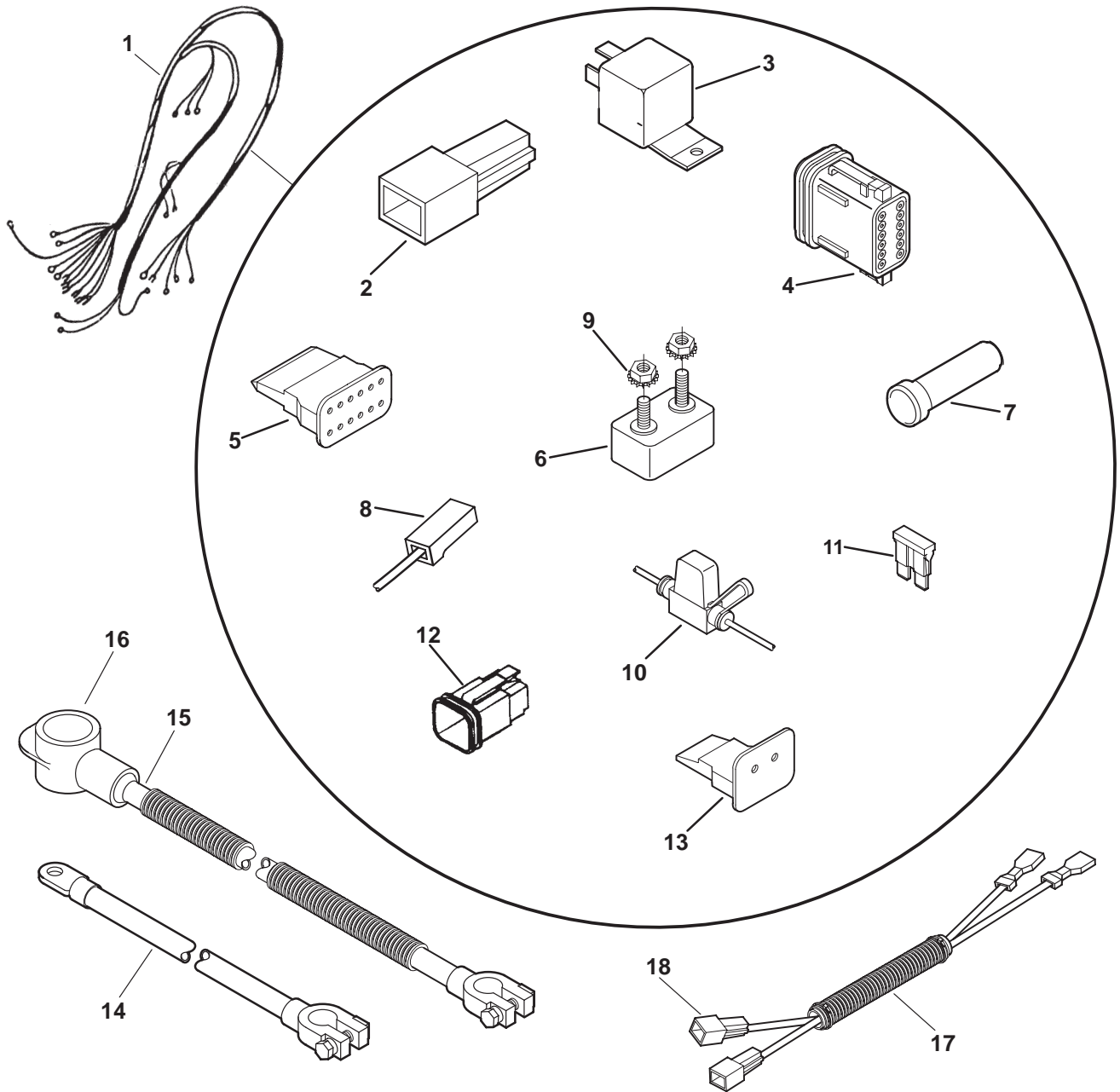
## Control



REF NO.	PART NO.	QTY USED	PART DESCRIPTION	REF NO.	PART NO.	QTY USED	PART DESCRIPTION
1	300-4741-01	1	Panel, Control (Includes Parts Marked *)	14	319-3026-02	1	Bracket, Top Control Mounting
2	098-7374	1	*Label, Warning	15	815-0550-01	4	Screw, ET Pan Head Cross Recessed (6-32 x 3/8")
3	319-3025-02	1	*Cover, Control Box	16	319-3073-02	1	Bracket, Bottom Control Mounting
4	870-1183	8	*Nut, ET (6-32)	17	821-0015	2	Screw, Lock Head Flange (1/4-20 x 3/4")
5	300-4930	1	*Board, Control	18	526-0018	2	Washer, Flat (1/4")
6	098-7375	1	*Label, Switch	19	319-3074-02	2	Plate, Cover
7	308-1076	1	*Switch, Rocker (S1)	20	821-0009	2	Screw, Hex Washer Head (1/4-20 x 1/2")
8	815-0815	2	Screw, Hex Washer Head (1/4-20 x 1/2")	21			Block, Terminal (TB1)
9	098-7376	1	*Label, Circuit Breaker		332-2859-01	1	3-Terminal
10	302-2002	1	*Meter, Hour (TT)		332-2859-02	1	2-Terminal
11	320-1548-03	1	Breaker, Circuit (CB1, CB2)	22	815-0691-01	1	Screw, Pan Head (10-32 x 3/8")
12			Harness, AC Output				
	338-3534	1	Spec A, B				
	338-3776	1	Begin Spec C				
13	815-0661	2	Screw, Hex Head Slot (10-32 x 1/2")				

\* - Parts Included in Control Panel.

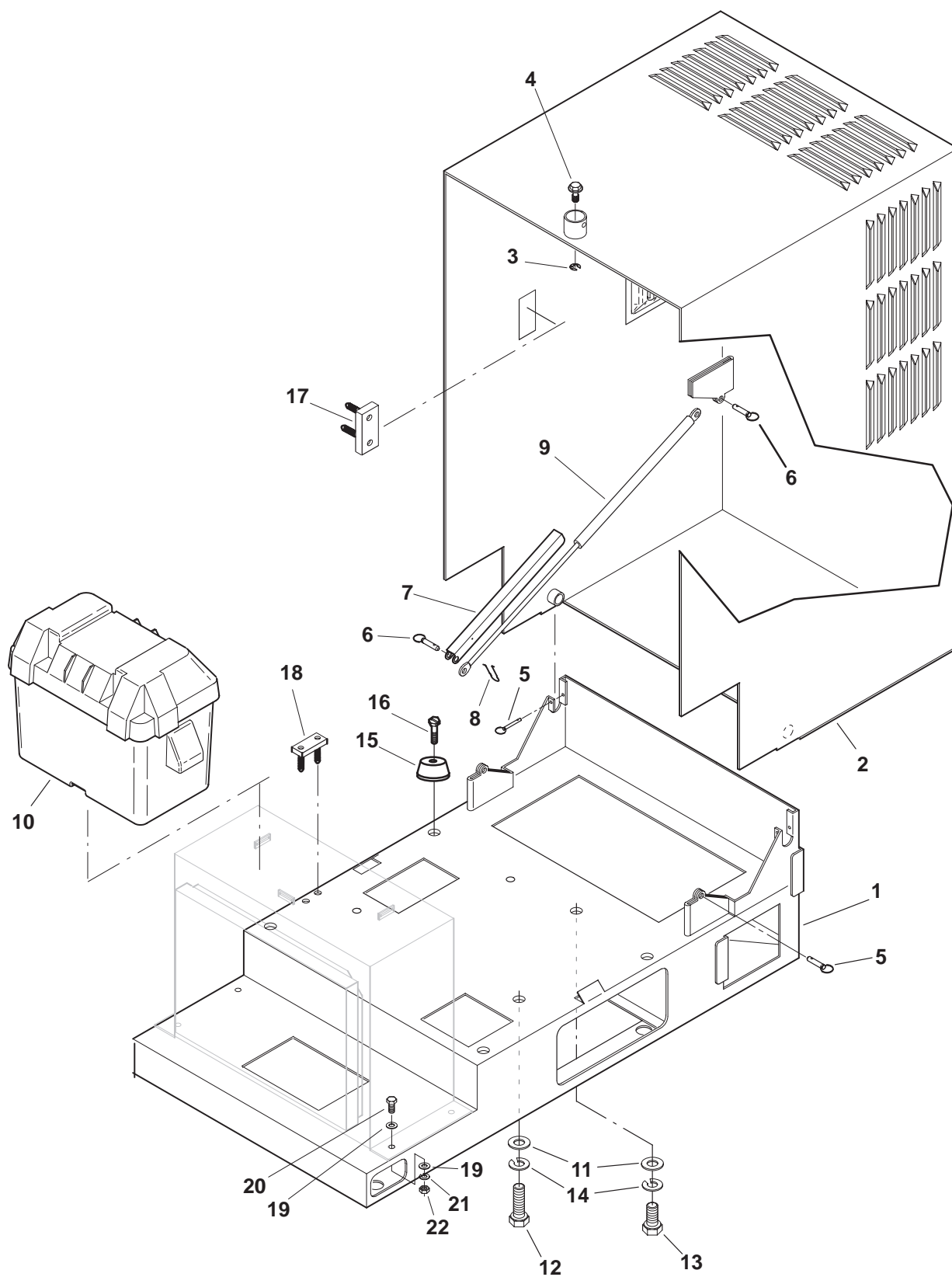
## Wiring Harness



REF NO.	PART NO.	QTY USED	PART DESCRIPTION	REF NO.	PART NO.	QTY USED	PART DESCRIPTION
1			Harness, Engine (Includes Parts Marked *)	13	323-1500	1	*Wedge, Plug (2 Pin)
	338-3311	1	Spec A, B	14	338-3480	1	Harness, 27" Starter
	338-3786	1	Begin Spec C	15	338-3312	1	Harness, 47" Starter (Includes Boot)
2	332-2298	1	*Housing, Tab Terminal	16			Boot
3	307-1886	1	*Relay		416-1021-03	1	Spec A, B
4	323-1582	1	*Connector, Plug (12 Pin)		416-1041	1	Begin Spec C
5	323-1583	1	*Wedge, Plug (12 Pin)	17			Harness, Battery Charger (Includes Housing)
6	320-1928-01	1	*Breaker, Circuit (CB3)		338-3431	1	Spec A, B
7	323-1591	3	*Plug, Seal		338-3785		Begin Spec C
8	332-0819	1	*Housing, Receptacle	18	332-2298	2	Housing
9	870-0131	2	*Nut, ET Hex (#10-32)				
10	321-0354	1	*Holder, Fuse (Includes Fuse)				
11	321-0307-04	2	Fuse, 7.5A (F1, F2)				
12	323-1504	1	*Connector, Plug (2 Pin)				

\* - Parts Included in Engine Harness.

# Housing



## Housing

REF NO.	PART NO.	QTY USED	PART DESCRIPTION	REF NO.	PART NO.	QTY USED	PART DESCRIPTION
1	402-0741-02	1	Base, Housing	14	850-0050	4	Washer, Lock (3/8")
2	405-6309-02	1	Housing	15	402-0740	4	Guide, Base
3	518-0566	1	Clip, Circular	16	821-6001-06	4	Screw, Hex Head Sems
4	800-0744-02	1	Bolt, Hex Head Security (1/2-13)	17	307-2908	1	Switch, Actuator
5	406-0841-01	2	Pin, Snap	18	307-2907	1	Switch, Magnet
6	406-0841-02	4	Pin, Snap	Switchgear Housing Mounting Hardware:			
7	402-0713-02	2	Bracket, Locking	19	526-0029	8	Washer, Flat (3/8")
8	402-0714	2	Spring, Clip	20	800-0050	4	Screw, Hex Head Cap (3/8-16 x 1")
9	406-0840	2	Spring, Gas	21	850-0050	4	Washer, Lock (3/8")
10	416-1034	1	Box, Battery (Includes Hold Down Strap)	22	862-0003	4	Nut (3/8-16)
11	526-0029	4	Washer, Flat (3/8")	NOTE: See Parts Catalog 913-0202 for Transfer Switch Information.			
12	800-0051	2	Screw, Hex Head Cap (3/8-16 x 1.25)				
13	800-0050	2	Screw, Hex Head Cap (3/8-16 x 1")				

## Labels, Paint, Thread Sealant, Kits

REF NO.	PART NO.	QTY USED	PART DESCRIPTION	REF NO.	PART NO.	QTY USED	PART DESCRIPTION
98-6586-02		1	Label, Battery Negative	120-0161		1	Kit, Oil Pump Gasket
98-6387		1	Label, Caution				Kit, Gasket
98-6894		2	Label, Caution	168-0190		1	Valve Grind
98-6195-01		1	Label, Caution	168-0193		1	Engine
98-7110		1	Label, Caution (Unit Clearance)	518-0347		1	Loctite, Bottle (250cc)
98-7334		1	Label, Caution (No Step)	525-0394		1	Paint, Enamel Touch-Up –
98-7335		1	Label, Caution (Lifting)				Black (Flat) 16 oz. Pressurized
98-7336		1	Label, Dual Fuel				Can
98-7370		1	Label, Stripe	518-0452		1	Sealant, Thread (50cc Bottle)
98-6139-08		1	Label, Warning				
98-6837		1	Label, Warning				
98-5390		1	Label, Warning				



## Numerical Index

<u>Part No.</u>	<u>Page</u>	<u>Part No.</u>	<u>Page</u>	<u>Part No.</u>	<u>Page</u>	<u>Part No.</u>	<u>Page</u>
098-5390, <b>30</b>		110-0639, <b>5</b>		115-0006, <b>5</b>		134-4994, <b>19</b>	
098-6139-08, <b>30</b>		110-0904, <b>5</b>		115-0006-02, <b>5</b>		134-5134-02, <b>19</b>	
098-6195-01, <b>30</b>		110-1624-01, <b>5</b>		115-0006-05, <b>5</b>		134-5138-02, <b>19</b>	
098-6387, <b>30</b>		110-1718, <b>5</b>		120-0140, <b>5</b>		134-5139-02, <b>19</b>	
098-6586-02, <b>30</b>		110-1719, <b>5</b>		120-0161, <b>30</b>		134-5150, <b>8</b>	
098-6894, <b>30</b>		110-2987, <b>5</b>		120-0398, <b>5</b>		134-5160-01, <b>19</b>	
098-7110, <b>30</b>		110-3167, <b>5</b>		120-0491, <b>5</b>		134-5166, <b>19</b>	
098-7334, <b>30</b>		110-3168, <b>5</b>		120-1320, <b>5</b>		134-5182, <b>8</b>	
098-7335, <b>30</b>		110-3462, <b>5</b>		122-0360-53, <b>9</b>		140-2308, <b>13</b>	
098-7336, <b>30</b>		110-3462-01, <b>5</b>		122-0469, <b>9</b>		140-2379, <b>13</b>	
098-7370, <b>30</b>		110-3462-02, <b>5</b>		122-0771, <b>9</b>		140-2962, <b>13</b>	
098-7374, <b>26</b>		110-3462-03, <b>5</b>		122-0814, <b>9</b>		140-3094-00, <b>13</b>	
098-7375, <b>26</b>		110-3462-04, <b>5</b>		122-0829, <b>19</b>		140-3094-01, <b>13</b>	
098-7376, <b>26</b>		110-3549, <b>5</b>		123-1174, <b>5</b>		141-0958, <b>13</b>	
101-0405, <b>5</b>		110-3575, <b>5</b>		123-1175, <b>5</b>		146-0718, <b>13</b>	
101-0439, <b>5</b>		110-3604, <b>5</b>		123-1616, <b>10</b>		146-0734, <b>13</b>	
101-0804, <b>5</b>		110-3655, <b>5</b>		123-1653, <b>5</b>		148-1020, <b>14</b>	
101-0804-02, <b>5</b>		110-3655-02, <b>5</b>		123-1654, <b>5</b>		148-1121-02, <b>14</b>	
101-0804-10, <b>5</b>		110-3655-05, <b>5</b>		123-1871, <b>5</b>		149-1321, <b>13</b>	
101-0804-20, <b>5</b>		110-3655-10, <b>5</b>		123-2092, <b>10</b>		150-2424, <b>12</b>	
101-0804-30, <b>5</b>		110-3655-25, <b>5</b>		123-2096, <b>13</b>		150-2425, <b>12</b>	
101-0809, <b>5</b>		112-0265, <b>5</b>		123-2097, <b>13</b>		150-2426, <b>12</b>	
102-1387, <b>10</b>		112-0265-01, <b>5</b>		123-2098, <b>13</b>		151-0701, <b>12</b>	
102-1457-02, <b>10</b>		112-0265-02, <b>5</b>		134-4531, <b>8</b>		154-2219, <b>13</b>	
103-0810, <b>11</b>		112-0265-03, <b>5</b>		134-4745, <b>20</b>		154-2747, <b>21</b>	
103-0813, <b>11</b>		112-0265-05, <b>5</b>		134-4765, <b>19</b>		154-2765, <b>21</b>	
104-0032, <b>7</b>		112-0267, <b>5</b>		134-4768, <b>19</b>		154-2870, <b>21</b>	
104-0043, <b>7</b>		112-0268, <b>5</b>		134-4769-00, <b>19</b>		154-3024, <b>21</b>	
104-0091, <b>5</b>		113-0311, <b>5</b>		134-4771-50, <b>19</b>		154-3027, <b>13</b>	
104-0170, <b>8</b>		113-0311-01, <b>5</b>		134-4776, <b>19</b>		155-2415, <b>21</b>	
104-0575, <b>5</b>		113-0311-02, <b>5</b>		134-4790-50, <b>19</b>		155-2428, <b>21</b>	
104-0776, <b>5</b>		113-0311-03, <b>5</b>		134-4792-50, <b>19</b>		155-2558, <b>21</b>	
104-0776-01, <b>5</b>		113-0311-05, <b>5</b>		134-4805, <b>19</b>		155-3156, <b>21</b>	
104-1736, <b>7</b>		114-0036, <b>5</b>		134-4806, <b>19</b>		166-0747, <b>23</b>	
105-0058, <b>6</b>		114-0188, <b>5</b>		134-4807, <b>19</b>		166-0770, <b>23</b>	
105-0059, <b>6</b>		114-0188-02, <b>5</b>		134-4891, <b>19</b>		166-0771, <b>23</b>	
105-0541, <b>6</b>		114-0188-10, <b>5</b>		134-4892, <b>19</b>		166-0794, <b>23</b>	
105-0641, <b>6</b>		114-0188-20, <b>5</b>		134-4928-02, <b>21</b>		166-0820, <b>23</b>	
105-0676, <b>6</b>		114-0188-30, <b>5</b>		134-4932-02, <b>21</b>		166-0821, <b>23</b>	
110-0539, <b>5</b>		114-0203, <b>5</b>		134-4935, <b>19</b>		166-0842-01, <b>23</b>	

## Numerical Index

<u>Part No.</u>	<u>Page</u>	<u>Part No.</u>	<u>Page</u>	<u>Part No.</u>	<u>Page</u>	<u>Part No.</u>	<u>Page</u>
167-0272,	<b>23</b>	309-0653,	<b>10</b>	338-3786,	<b>27</b>	517-0048-01,	<b>5</b>
167-1615-01,	<b>23</b>	309-0654,	<b>19</b>	402-0624,	<b>20</b>	517-0067,	<b>5</b>
167-1615-05,	<b>23</b>	312-0256,	<b>23</b>	402-0713-02,	<b>29</b>	517-0293,	<b>11</b>
168-0190,	<b>30</b>	319-3025-02,	<b>26</b>	402-0714,	<b>29</b>	518-0014,	<b>7</b>
168-0193,	<b>30</b>	319-3026-02,	<b>26</b>	402-0740,	<b>29</b>	518-0347,	<b>30</b>
191-1766,	<b>17</b>	319-3073-02,	<b>26</b>	402-0741-02,	<b>29</b>	518-0452,	<b>30</b>
191-1931,	<b>17</b>	319-3074-02,	<b>26</b>	403-4132-02,	<b>20</b>	518-0566,	<b>29</b>
191-1947,	<b>17</b>	320-1548-03,	<b>26</b>	405-6309-02,	<b>29</b>	518-0574,	<b>19</b>
191-1949-09,	<b>15, 17</b>	320-1928-01,	<b>27</b>	406-0840,	<b>29</b>	518-0581,	<b>19</b>
191-1951,	<b>17</b>	321-0307-04,	<b>27</b>	406-0841-01,	<b>29</b>	518-0618,	<b>19</b>
191-1953,	<b>17</b>	321-0307-08,	<b>13</b>	406-0841-02,	<b>29</b>	520-0876,	<b>5</b>
191-1954,	<b>17</b>	321-0325,	<b>13</b>	416-1021-03,	<b>27</b>	520-0918,	<b>5</b>
191-1955,	<b>17</b>	321-0354,	<b>27</b>	416-1034,	<b>29</b>	520-0919,	<b>5</b>
191-1956,	<b>17</b>	323-1491,	<b>19</b>	416-1041,	<b>27</b>	525-0394,	<b>30</b>
201-3525-01,	<b>25</b>	323-1500,	<b>27</b>	502-0238,	<b>14</b>	526-0017,	<b>8</b>
204-0134,	<b>25</b>	323-1501,	<b>19</b>	502-0313,	<b>14</b>	526-0018,	<b>5, 21, 26</b>
205-0241,	<b>25</b>	323-1504,	<b>27</b>	502-0395,	<b>13</b>	526-0021,	<b>13</b>
205-0259,	<b>8</b>	323-1505,	<b>19</b>	503-0183,	<b>14</b>	526-0029,	<b>29</b>
212-1276-03,	<b>25</b>	323-1546,	<b>25</b>	503-0189,	<b>13</b>	526-0063,	<b>5</b>
212-1284,	<b>25</b>	323-1548,	<b>25</b>	503-0685,	<b>14</b>	526-0065,	<b>9, 11</b>
212-1285,	<b>25</b>	323-1582,	<b>27</b>	503-0731,	<b>13</b>	526-0066,	<b>5</b>
212-1286,	<b>25</b>	323-1583,	<b>27</b>	503-1336,	<b>13</b>	526-0122,	<b>13, 21</b>
214-0103,	<b>25</b>	323-1591,	<b>27</b>	503-1337,	<b>13</b>	526-0250,	<b>5</b>
220-4135-09,	<b>25</b>	331-0536,	<b>25</b>	503-2016,	<b>14</b>	526-0251,	<b>10, 13</b>
220-4135-10,	<b>25</b>	332-0819,	<b>25, 27</b>	503-2043,	<b>14</b>	526-0325,	<b>20</b>
220-4532-03,	<b>25</b>	332-2298,	<b>27</b>	504-0150,	<b>10</b>	526-0356,	<b>8</b>
231-0382-01,	<b>23</b>	332-2859-01,	<b>26</b>	505-0101,	<b>14</b>	526-0402,	<b>5</b>
232-2955-02,	<b>25</b>	332-2859-02,	<b>26</b>	505-0131,	<b>14</b>	740-1004,	<b>5</b>
300-4741-01,	<b>26</b>	332-3198,	<b>23</b>	505-0274,	<b>14</b>	740-1006,	<b>21</b>
300-4930,	<b>26</b>	332-3328,	<b>25</b>	508-0272,	<b>25</b>	750-1006,	<b>15, 17</b>
302-2002,	<b>26</b>	337-2434,	<b>20</b>	509-0040,	<b>11</b>	800-0007,	<b>5</b>
305-0784,	<b>25</b>	338-3311,	<b>27</b>	509-0041,	<b>7</b>	800-0011,	<b>5</b>
305-0943-02,	<b>25</b>	338-3312,	<b>27</b>	509-0196,	<b>25</b>	800-0013,	<b>5</b>
305-0957,	<b>19</b>	338-3431,	<b>27</b>	509-0246,	<b>10</b>	800-0017,	<b>13</b>
307-1886,	<b>13, 27</b>	338-3441,	<b>25</b>	510-0099,	<b>25</b>	800-0028-01,	<b>9</b>
307-2880,	<b>14</b>	338-3480,	<b>27</b>	515-0001,	<b>6, 7</b>	800-0032-01,	<b>11</b>
307-2907,	<b>29</b>	338-3534,	<b>26</b>	515-0098,	<b>8</b>	800-0034-01,	<b>13</b>
307-2908,	<b>29</b>	338-3600,	<b>13</b>	516-0051,	<b>11</b>	800-0050,	<b>29</b>
308-1076,	<b>26</b>	338-3776,	<b>26</b>	516-0072,	<b>5</b>	800-0051,	<b>29</b>
309-0615,	<b>9</b>	338-3785,	<b>27</b>	516-0141,	<b>5, 11</b>	800-0051-01,	<b>5</b>

## Numerical Index

<u>Part No.</u>	<u>Page</u>	<u>Part No.</u>	<u>Page</u>	<u>Part No.</u>	<u>Page</u>	<u>Part No.</u>	<u>Page</u>
800-0052,	<b>25</b>	821-0015,	<b>26</b>				
800-0052-01,	<b>10</b>	821-2034,	<b>8</b>				
800-0054,	<b>15</b>	821-6001-06,	<b>29</b>				
800-0055-01,	<b>13</b>	850-0050,	<b>15, 25, 29</b>				
800-0545,	<b>11</b>	850-2008,	<b>15, 17</b>				
800-0575-01,	<b>23</b>	851-0029,	<b>5</b>				
800-0730,	<b>21</b>	856-0006,	<b>20</b>				
800-0744-02,	<b>29</b>	856-0008,	<b>20, 25</b>				
801-0050,	<b>5</b>	862-0003,	<b>15, 25, 29</b>				
802-0057-01,	<b>21</b>	862-0014,	<b>21</b>				
802-1038,	<b>25</b>	862-0015,	<b>13</b>				
805-0010,	<b>5</b>	870-0048,	<b>21</b>				
815-0181,	<b>13</b>	870-0131,	<b>25, 27</b>				
815-0236,	<b>20</b>	870-0212,	<b>14</b>				
815-0261,	<b>19</b>	870-0257,	<b>25</b>				
815-0290,	<b>23, 25</b>	870-0328,	<b>23</b>				
815-0337,	<b>21</b>	870-1183,	<b>26</b>				
815-0340,	<b>9</b>	98-6837,	<b>30</b>				
815-0508,	<b>19</b>						
815-0550-01,	<b>26</b>						
815-0587,	<b>13</b>						
815-0590,	<b>13</b>						
815-0610,	<b>20</b>						
815-0652,	<b>25</b>						
815-0657,	<b>20</b>						
815-0661,	<b>26</b>						
815-0691-01,	<b>26</b>						
815-0770,	<b>23</b>						
815-0783-01,	<b>12</b>						
815-0783-02,	<b>12</b>						
815-0788,	<b>25</b>						
815-0815,	<b>19, 26</b>						
815-0890,	<b>21</b>						
815-0908,	<b>25</b>						
816-0140,	<b>21</b>						
821-0002,	<b>19</b>						
821-0003,	<b>14</b>						
821-0005,	<b>25</b>						
821-0009,	<b>26</b>						
821-0010,	<b>14, 20</b>						



**Onan Corporation**  
**1400 73rd Avenue N.E.**  
**Minneapolis, MN 55432**  
**1-800-888-ONAN**  
**612-574-5000 International Use**  
**Telex: 275477**  
**Fax: 612-574-8087**

Onan is a registered trademark of Onan Corporation