



PARTS CATALOG

trade

recreation

farming

Portable Generators

5GRBA 378A / 7GRBB 377A

965-0271
Rev. 9-2002

MODEL IDENTIFICATION

To avoid errors or delay in filling your parts order, always give the MODEL, SPEC NO. and SERIAL NO. from the Onan nameplate.

For handy reference, insert your nameplate information in the spaces below.

MODEL AND SPEC NO.

SERIAL NO.

DIGITAL CONTROL SOFTWARE VERSION
AND DATE (IF APPLICABLE)

SAFETY PRECAUTIONS

The following symbols are used in Onan manuals to alert users to the potentially dangerous conditions relating to maintenance of equipment and replacement of parts. Please read and observe.



This symbol warns of immediate hazards which will result in severe personal injury or death.



This symbol refers to a hazard or unsafe practice which can result in severe personal injury or death.



This symbol refers to a hazard or unsafe practice which can result in severe personal injury or product or property damage.

PRODUCT SAFETY PRECAUTIONS



Service and repair of Onan equipment must be performed by trained, experienced personnel only. Improper service or repair may result in property damage, severe personal injury or death. Do not use this catalog as a guide to servicing your equipment. Read and follow the IMPORTANT SAFETY INSTRUCTIONS in the Service Manual appropriate for the equipment you are working on.



Contact with USED ENGINE OILS has been identified by a United States federal agency and some USA state agencies as causing CANCER or REPRODUCTIVE TOXICITY. When checking or changing engine oils take all necessary precautions not to ingest, breathe the fumes or contact the used oil.



Contact with ASBESTOS has been identified by a United States federal agency and some USA state agencies as causing CANCER or REPRODUCTIVE TOXICITY. When handling engine gaskets take all necessary precautions not to ingest, breathe or contact the dust from the gaskets! Use adequate ventilation and wear protective gloves, masks and clothing!

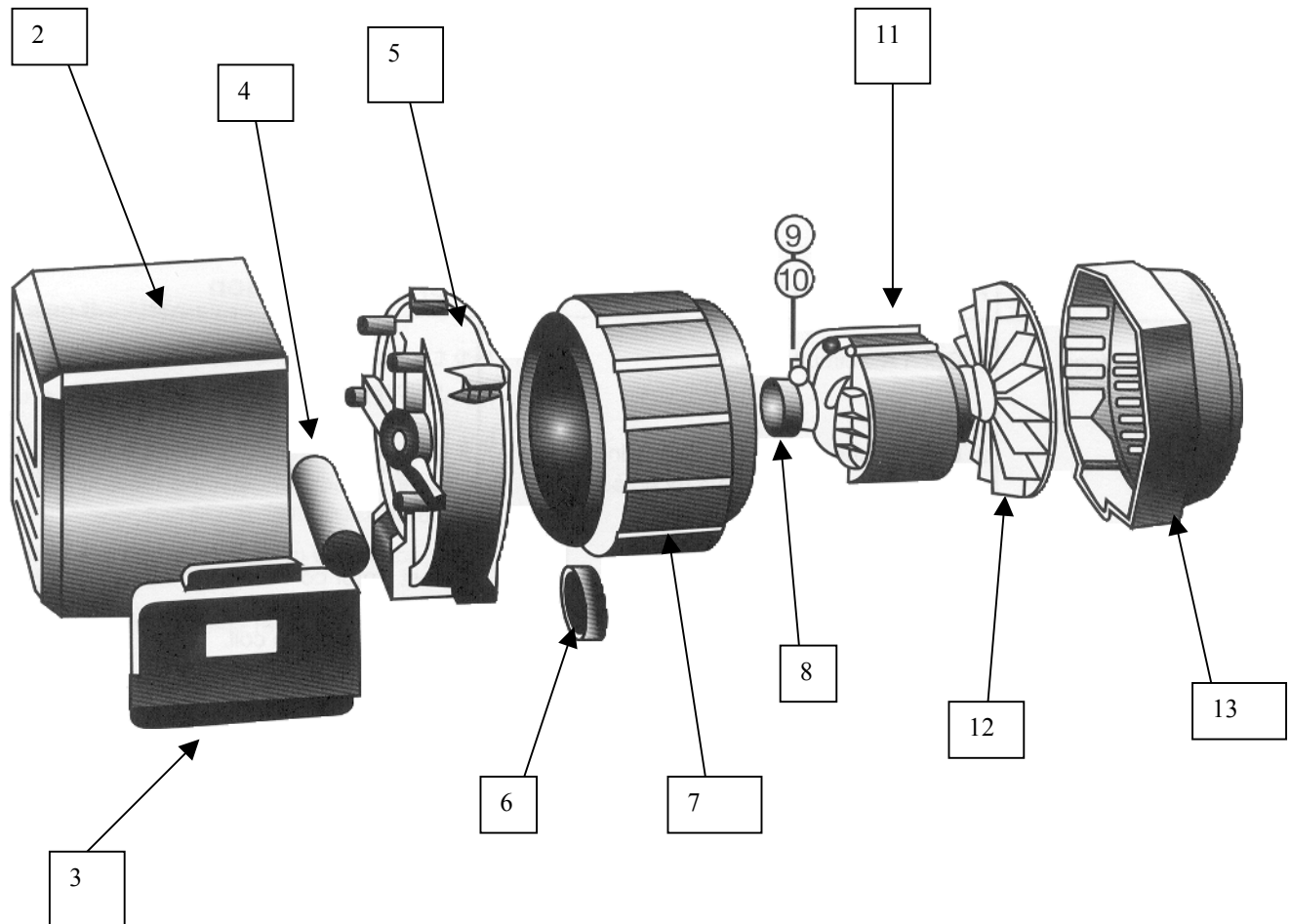


Contact with BENZINE and LEAD, found in gasoline, fuel additives and solvents has been identified by a United States federal agency and some USA state agencies as causing CANCER or REPRODUCTIVE TOXICITY. When checking, draining or adding gasoline and fuel additives or using solvents take all necessary precautions not to ingest, breathe the fumes or contact the liquids. Use adequate ventilation and wear protective gloves, masks and protective clothing!

PSP-1

5GRBA 378A

Diagrams



NO. DESCRIPTION

1 ALTERNATOR ASSEMBLY 0200-3065

2 ALTERNATOR COVER 0327-1225

3 DASHBOARD 0327-5684

4 CAPACITOR 0327-1235

5 NON DRIVE END PLATE 0327-1247

6 BEARING RETAINER 0327-1234

7 STATOR ASSEMBLY 0327-1233

8 BEARING 0327-1229

9 DIODES 0327-1230

10 VARISTORS 0327-1231

11 ROTOR ASSEMBLY 0327-1246

12 FAN 0327-1228

13 DRIVE END PLATE 0327-1242

5GRBA 378A

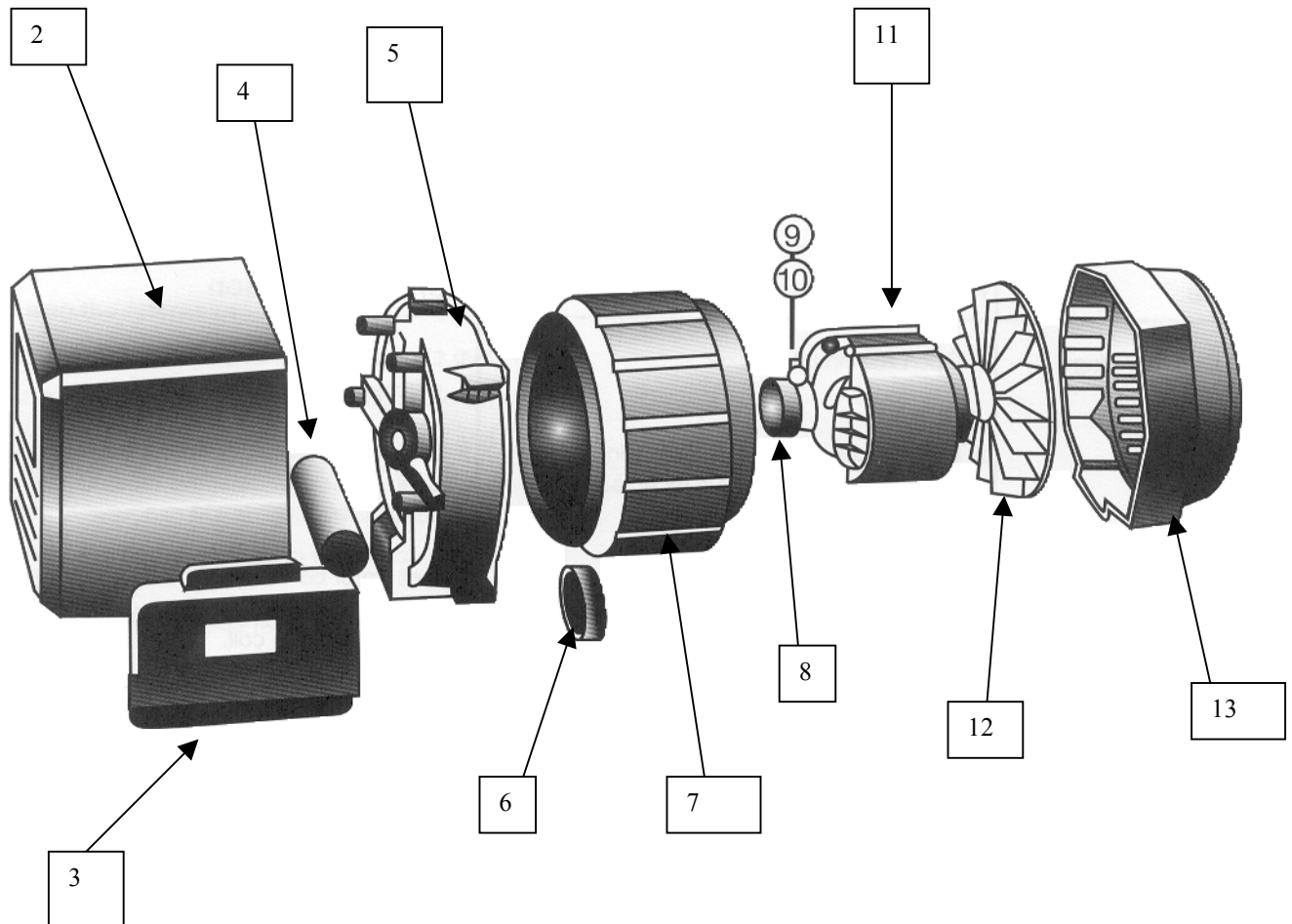
Onan Part #	Dunlite Part #	QTY	Discriptin
MANUALS			
0965-0532		1	SERVICE & PARTS
0965-0184		1	OPERATOR'S
Pending	31000419	1	Honda Parts Book (Honda PN# 31ZH9613)
ENGINE			
0327-1223	30100062	1	ENGINE-HONDA
0150-2806	9301495	1	COVER-GOV
0098-6074-02		1	LABEL-WARNING (1.19"X2.38")
0098-6190		1	LABEL-WARNING
0098-6192		1	LABEL-WARNING
FRAME ASSEMBLY			
0327-1224	10400276	1	MOUNT-RUBBER
0327-1241	19100770	1	FRAME-ROLL OVER
0327-1240	19100771	1	FRAME-BOTTOM
0337-3596	25100163	1	STRAP-GRD
FUEL TANK ASSEMBLY			
0327-1226	22210547	1	TANK, FUEL
0327-1252	None	1	CAP, FUEL-TOP VENTING
0327-1256	32662022	1	CLIP-FUEL TANK
0327-1253	30332776	1	VALVE-FUEL SHUTOFF
CONTROL PANEL ASSY			
0300-5684	21020441	1	PANEL-ALTERNATOR COVER
0300-5681	21002052	1	CONTROL PANEL ASSY (5KW)
0319-4836	9411404	1	COVER-CONTROL
0327-1106	32354968	1	BOX-CONTROL
0327-1107	32354966	2	PANEL-CONTROL BOX
0327-1048	32354967	1	RECEPTACLE GFI
0300-5683	21002049	1	PANEL-CONTROL (5KW)
0327-0883	32100033	1	CIR BKR-15A
0327-0972	32100034	2	CIR BKR-25A
ALTERNATOR ASSEMBLY			
0200-3065	73000016	1	GENERATOR ASSY
0327-1225	9401106	1	COVER-ALT
0327-1247	9200121	1	END BELL-NON DRIVE END
0327-1242	9200122	1	END BELL-DRIVE END
0327-1248	9400169	1	CAP-CORNER (KIT 4 PCS)

5GRBA 378A

Onan Part #	Dunlite Part #	QTY	Discriptin
			ROTOR ASSEMBLY
0327-1246	47000190	1	ROTOR
0327-1228	13300027	1	FAN-PLASTIC
0327-1234	41300064	1	RETAINER-BEARING
0327-1229	41000034	1	BEARING-BALL
0327-1243	36021457	5	BOLT-HEX 5/16
0327-1244	36200053	5	WASHER-LOCK 5/16
0327-1245	36200121	1	WASHER-FLAT 5/16
0327-1230	11000084	2	DIODE
0327-1231	11100469	2	RESISTOR-VARIABLE
0327-1232	11101096	2	RESISTOR-VARIABLE
			STATOR ASSEMBLY
0327-1233	28000186	1	STATOR-WOUND
0327-1258	36001216		STUD-STATOR (5KW)
0327-1235	11700560	1	CAPACITOR
			EXHAUST COMPONENT
0327-1255	25100372	1	HEAT SHIELD-MUFFLER

7GRBB 377A

Diagrams



NO. DESCRIPTION

1 ALTERNATOR ASSEMBLY 0200-3066

2 ALTERNATOR COVER 0327-1225

3 DASHBOARD 0327-5684

4 CAPACITOR 0327-1239

5 NON DRIVE END PLATE 0327-1247

6 BEARING RETAINER 0327-1234

7 STATOR ASSEMBLY 0327-1238

8 BEARING 0327-1229

9 DIODES 0327-1230

10 VARISTORS 0327-1231

11 ROTOR ASSEMBLY 0327-1251

12 FAN 0327-1228

13 DRIVE END PLATE 0327-1242

7GRBB 377A

Onan Part #	Dunlite Part #	QTY	Discriptin
MANUALS			
0965-0532		1	SERVICE & PARTS
0965-0184		1	OPERATOR'S
Pending	31000419	1	Honda Parts Book (Honda PN# 31ZH9613)
ENGINE			
0327-1236	30100063	1	ENGINE-HONDA
0150-2806	9301495	1	COVER-GOV
0098-6074-02		1	LABEL-WARNING (1.19"X2.38")
0098-6190		1	LABEL-WARNING
0098-6192		1	LABEL-WARNING
FRAME ASSEMBLY			
0327-1224	10400276	1	MOUNT-RUBBER
0327-1241	19100770	1	FRAME-ROLL OVER
0327-1250	19100769	1	FRAME-BOTTOM
0337-3596	25100163	1	STRAP-GRD
0416-1159	25100362	1	BATTERY CABLE-POSITIVE
0416-1160	25100361	1	BATTERY CABLE-NEGATIVE
0327-1254	37700189	1	BOOT-BATTERY CABLE
0327-1259	20170178	1	CLAMP ASSY-BATTERY (7KW)
FUEL TANK ASSEMBLY			
0327-1226	22210547	1	TANK, FUEL
0327-1252	None	1	CAP, FUEL-TOP VENTING
0327-1256	32662022	1	CLIP-FUEL TANK
0327-1253	30332776	1	VALVE-FUEL SHUTOFF
CONTROL PANEL ASSY			
0300-5684	21020441	1	PANEL-ALTERNATOR COVER
0300-5680	21002051	1	CONTROL PANEL ASSY (7KW)
0319-4836	9411404	1	COVER-CONTROL
0327-1109	32354965	1	CONNECTOR
0327-1107	32354966	2	PANEL-CONTROL BOX
0327-1048	32354967	1	RECEPTACLE GFI
0300-5682	21002049	1	PANEL-CONTROL
0327-0883	32100033	1	CIR BKR-15A
0327-0886	32100034	2	CIR BKR-30A
ALTERNATOR ASSEMBLY			
0200-3066	73000016	1	GENERATOR ASSY
0327-1225	9401106	1	COVER-ALT
0327-1247	9200121	1	END BELL-NON DRIVE END
0327-1242	9200122	1	END BELL-DRIVE END
0327-1248	9400169	1	CAP-CORNER (KIT 4 PCS)

7GRBB 377A

Onan Part #	Dunlite Part #	QTY	Discriptin
			ROTOR ASSEMBLY
0327-1251	47000190	1	ROTOR
0327-1228	13300027	1	FAN-PLASTIC
0327-1234	41300064	1	RETAINER-BEARING
0327-1229	41000034	1	BEARING-BALL
0327-1249	36021457	5	BOLT-HEX 5/16
0327-1244	36200053	5	WASHER-LOCK 5/16
0327-1245	36200121	1	WASHER-FLAT 5/16
0327-1230	11000084	2	DIODE
0327-1231	11100469	2	RESISTOR-VARIABLE
0327-1232	11101096	2	RESISTOR-VARIABLE
			STATOR ASSEMBLY
0327-1238	28000190	1	STATOR-WOUND
0327-1257	17130058		STUD-STATOR (7KW)
0327-1239	11700883	1	CAPACITOR
			EXHAUST COMPONENT
0327-1255	25100372	1	HEAT SHIELD-MUFFLER

Onan

Onan Corporation
1400 73rd Avenue N.E.
Minneapolis, MN 55432
1-800-888-ONAN
612-574-5000 International Use
Telex: 275477
Fax: 612-574-8087

Onan is a registered trademark of Onan Corporation



Redistribution or publication of this document by any means, is strictly prohibited.