

# SUPPLEMENTARY INFORMATION

## BASIC DIFFERENCES BETWEEN

**Onan**<sup>®</sup>

**MODEL 4.0 BF-1R/9000**

**and**

**MODEL 4.0 BF-1R/9500  
(POWER DRAWER)**

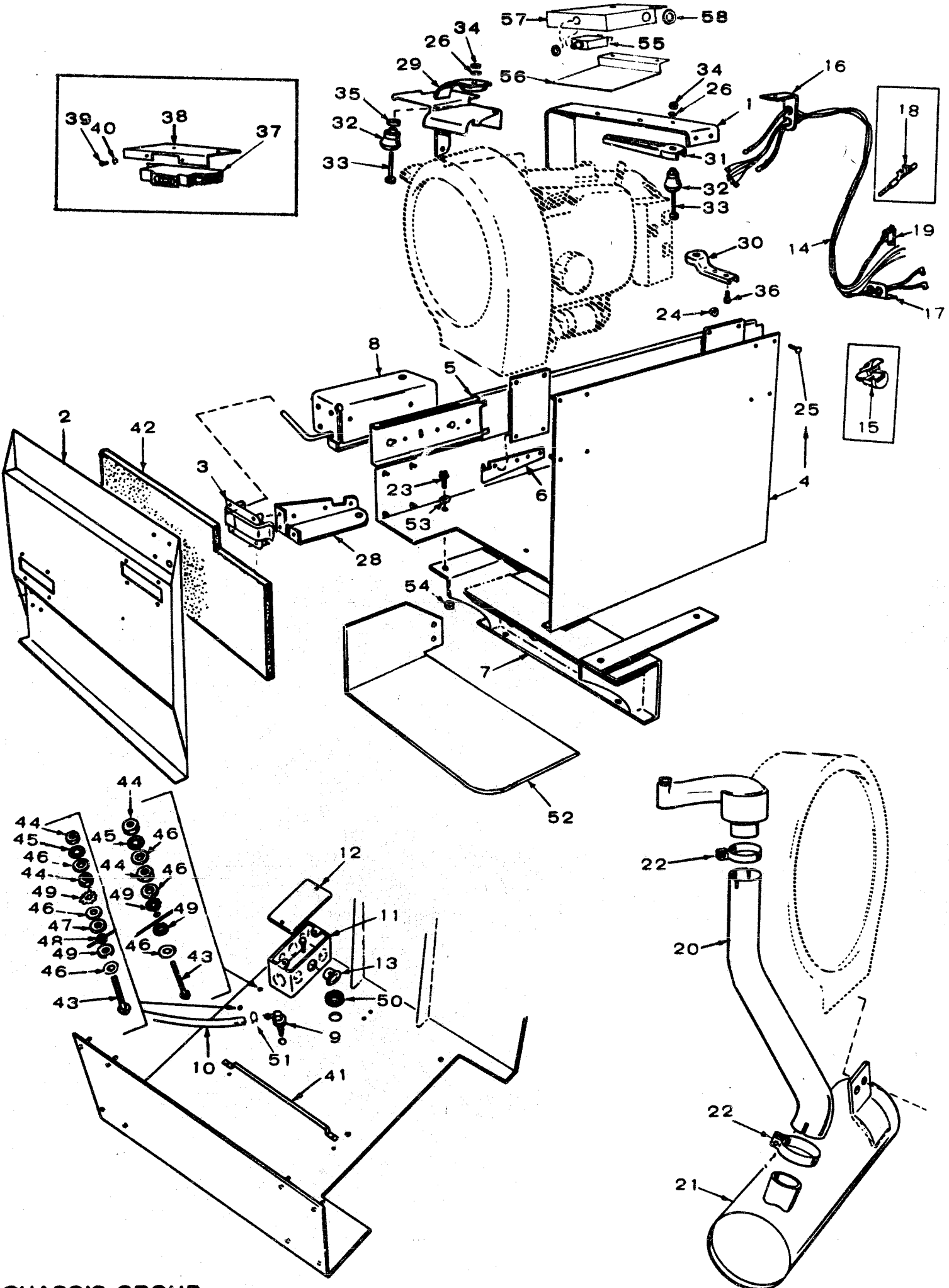
<b>OPERATION</b> _____	SAME AS COVERED IN 965-0315
<b>PARTS</b> _____	SAME AS COVERED IN 965-0315 EXCEPT AS INDICATED HEREIN
<b>SERVICE</b> _____	USE #965-0515 SERVICE MANUAL



<http://stores.ebay.com/UsefulCDs>

**ONAN** 1400 73RD AVENUE N.E. • MINNEAPOLIS, MINNESOTA 55412  
A DIVISION OF OLAN CORPORATION

**©2006 UsefulCDs**



**CHASSIS GROUP**

<http://stores.ebay.com/UsefulCDs>  
 © UsefulCDs

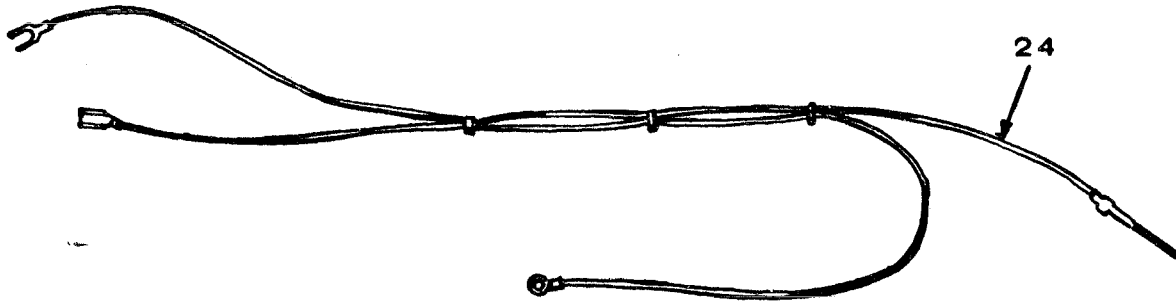
CHASSIS GROUP

REF. NO.	PART NO.	QTY. USED	PART DESCRIPTION
1	405-2001	1	Yoke, Generator Support
2	405-1997	1	Door, Slide Out
3	406-0369	2	Latch, Door
4	405-1999	1	Pan, Mounting Base
5	405-2000	2	Slide
6	405-1998	2	Bracket, Latch Strike
7	BRACKET, SET MOUNTING		
	405-2004	1	Spec A and B
	405-2205	1	Begin Spec C
8	405-1950	1	Bracket and Catch Assembly Safety
9	502-0419	1	Connector Elbow - Fuel Line
10	HOSE, FUEL		
	503-0673	1	Spec A Only
	503-0715	1	Begin Spec B
11	330-0077	1	Box, Junction
12	330-0004	1	Cover, Junction Box
13	331-0027	1	Clamp, Junction Box
14	HARNESS, WIRING - CHASSIS		
	338-0702	1	Spec A Only
	338-0751	1	Begin Spec B
15	508-0179	4	Relief, Strain (Part of Wiring Harness)
16	301-3612	1	Bracket, Harness Mounting (Part of Wiring Harness)
17	301-3613	1	Bracket, Harness Mounting (Part of Wiring Harness)
18	332-1546	4	Contact, Connector (Part of Wiring Harness)
19	332-1545	1	Body, Connector (Part of Wiring Harness)
20	155-1248	1	Tube, Exhaust
21	155-1247	1	Muffler, Exhaust
22	155-1244	2	Clamp, Exhaust
23	800-0050	4	Screw (3/8-16 x 1") - Self Locking - Set Mounting Bracket to Base Pan
24	870-0212	16	Nut (1/4-20) - Self Locking
25	815-0372	16	Screw, Press (1/4-20 x 5/8")
26	850-0050	4	Washer, Lock - Generator Support Mounting (3/8")
28	405-1958	1	Bracket, Engine End - Left Side
29	403-1019	1	Foot Assembly, Engine Mounting Right Side
30	232-2363	1	Support Generator - Left Side
31	232-2364	1	Support Generator - Right Side
32	402-0283	4	Cushion, Mount
33	402-0412	4	Bolt, Cushion Mounting
34	870-0281	4	Nut, Self Locking - Cushion Mounting
35	402-0413	1	Spacer, Cushion Mounting - Engine End - Right Side

CHASSIS GROUP (Continued)

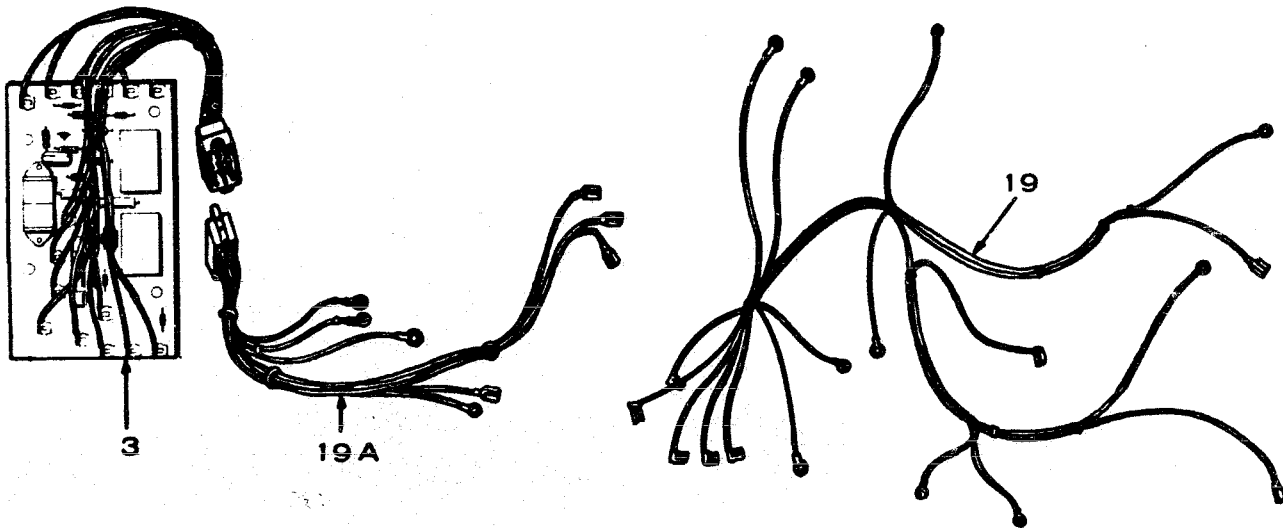
REF. NO.	PART NO.	QTY. USED	PART DESCRIPTION
36	800-0051	4	Screw, Hex Cap - Generator Support (3/8-16 x 1-1/4")
37	320-0153	1	Breaker, Circuit - Spec A and B (See Note *)
38	405-2003	1	Bracket, Circuit Breaker Mounting - Spec A and B
39	812-0059	2	Screw, Round Head - Circuit Breaker Mounting (#6-32 x 1/4") - Spec A and B
40	850-0020	2	Washer, Lock - Circuit Breaker Mounting (#6) - Spec A and B
41	405-2007	1	Bracket, Fuel Line Return
42	405-2079	1	Insulation, Door
43	810-0181	2	Screw, Round Head Brass - Battery Cable Terminal (5/16-18 x 1-1/4")
44	871-0025	4	Nut, Hex Brass - Battery Cable Terminals (5/16-18)
45	854-0017	2	Washer, Internal Shakeproof - Battery Cable Terminals (5/16")
46	526-0054	7	Washer, Flat - Battery Cable Terminals (5/16")
47	508-0019	1	Washer, Fibre - Battery Cable Terminals (5/16")
48	508-0181	1	Washer, Fibre - Battery Cable Terminals (5/16")
49	856-0008	4	Washer, External - Internal Shakeproof, Battery Cable Terminals (5/16")
50	GROMMET		
	508-0060	1	Battery Cable Through Pan
	508-0180	1	Harness Bracket (Part of Wiring Harness)
51	503-0685	2	Clamp, Fuel Line
52	405-2113	1	Guard, Mud
53	526-0013	4	Washer (3/8")
54	870-0281	4	Nut (3/8-16)
55	320-0547	1	Breaker, Circuit - Begin Spec C
56	301-3734	1	Box, Circuit Breaker - Begin Spec C
57	301-3735	1	Cover, Circuit Breaker Box - Begin Spec C
58	508-0068	2	Grommet, Circuit Breaker Box - Begin Spec C

\* - NOTE: Old type circuit breaker used on Spec A and B can be replaced with the new type circuit breaker. To do so order Part No. 320-0569 Circuit Breaker Replacement Kit, including breaker, box, cover, etc.



GOVERNOR, STARTER, CHARGING ALTERNATOR  
AND BLOWER HOUSING GROUP

REF. NO.	PART NO.	QTY. USED	PART DESCRIPTION
11	STATOR, CHARGING ALTERNATOR		
	191-0931	1	Spec A Only
	191-1073	1	Begin Spec B
17	134-2837	1	Cover, Blower Housing Scroll
24	HARNESS, WIRING - ALTERNATOR		
	338-0709	1	Spec A Only
	338-0752	1	Begin Spec B (Illustrated)

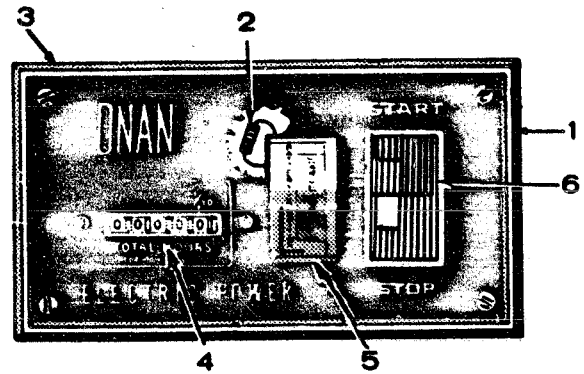
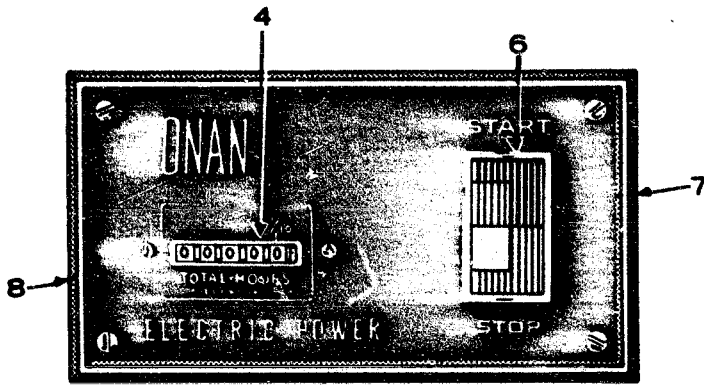


CONTROL GROUP

REF. NO.	PART NO.	QTY. USED	PART DESCRIPTION
3	CONTROL BOARD (INCLUDES PARTS MARKED *)		
	300-1073	1	Without Wiring Harness, Spec A Only
	300-1074	1	With Wiring Harness - Begin Spec B (Illustrated)
19	338-0697	1	Harness, Wiring - Control to Engine - Spec A Only
19A	338-0753	1	Harness, Wiring - Control to Engine - Begin Spec B

<http://stores.ebay.com/UsefulCDs>

© UsefulCDs



REMOTE CONTROL GROUP - OPTIONAL EQUIPMENT

REF. NO.	PART NO.	QTY. USED	PART DESCRIPTION
1	300-0986	1	Control Assembly, Deluxe Remote (Includes Parts Marked *)
2	359-0008	1	*Diode, Zener
3	301-3606	1	*Panel, Control
4	302-0885	1	+*Meter, Running Time
5	302-0888	1	*Meter, Battery Voltage
6	308-0341	1	+*Switch, Rocker
7	300-1131	1	Control Assembly, Deluxe Remote (Includes Parts Marked +)
8	301-3776	1	+Panel, Control

OIL SYSTEM GROUP

REF. NO.	PART NO.	QTY. USED	PART DESCRIPTION
1	CAP AND INDICATOR, OIL FILL		
	123-1164	1	Spec A and B
	123-1162	1	Begin Spec C
2	TUBE, OIL FILL		
	123-1208	1	Spec A and B
	123-1179	1	Begin Spec C

FUEL SYSTEM GROUP

REF. NO.	PART NO.	QTY. USED	PART DESCRIPTION
1	140-1321	1	Adapter, Air Cleaner (Includes Breather Hose Adapter)
9	865-0022	2	Nut, Wing - Air Cleaner (One Only used on Spec A and B)
27	STUD, AIR CLEANER		
	520-0823	1	Spec A and B
	520-0853	1	Begin Spec C
30	861-0008	1	Nut, Square - Air Cleaner Mtg. (#10-32) - Spec A and B
33	WASHER, FLAT - AIR CLEANER MOUNTING		
	526-0008	2	Spec A and B
	526-0012	1	Begin Spec C
35	508-0017	1	Washer, Fibre - Air Cleaner Element Mtg. - Spec A and B
36	405-2010	1	Spring, Air Cleaner Element Mounting - Spec A and B

GENERATOR GROUP

REF. NO.	PART NO.	QTY. USED	PART DESCRIPTION
9	201-1988	1	Armature Assembly, Wound (Includes Bearing and Collector Ring)
12	220-1859	1	Frame and Stator, Wound - NOTE: Spec A and B Generator Plants also order 201-1988 Armature Assembly.
17	REACTOR, COMPOUNDING		
	315-0380	1	Spec A and B
	315-0410	1	Begin Spec C

SPECIAL PARTS LIST FOR MODEL 4.0BF-1R SPEC 9000A

FOR STANDARD PARTS REFER TO CATALOG 965-0315 KEY NO. -

(PARTS CATALOG ALSO CONTAINS COMPONENTS FOR MAJOR OPTIONAL FEATURES LISTED BELOW)

WIRING DIAGRAM NO. (ENG) 611-1094-01

PART NO.	QTY.	DESCRIPTION	PART NO.	QTY.	DESCRIPTION
----------	------	-------------	----------	------	-------------

Mobile Home Power Drawer

Refer To Supplement 965-1008

Dated March 1, 1979

Revised \_\_\_\_\_

<http://stores.ebay.com/UsefulCDs1>

Page 1 of 1

© UsefulCDs

**F2**



SPECIAL PARTS LIST FOR MODEL 4.0BF-1R SPEC 9000B

FOR STANDARD PARTS REFER TO CATALOG 965-0315 KEY NO. -

(PARTS CATALOG ALSO CONTAINS COMPONENTS FOR MAJOR OPTIONAL FEATURES LISTED BELOW)

WIRING DIAGRAM NO. (ENG)611-1109-01

PART NO.	QTY.	DESCRIPTION	PART NO.	QTY.	DESCRIPTION
----------	------	-------------	----------	------	-------------

Mobile Home Power Drawer

Refer To Supplement 965-1008

Dated March 1, 1979

Revised

<http://stores.ebay.com/UsefulCDs> Page 01 of 1

© UsefulCDs

**F3**

SPECIAL PARTS LIST FOR MODEL 4.0BF-1R SPEC 9000C  
FOR STANDARD PARTS REFER TO CATALOG 965-0315 KEY NO. -  
(PARTS CATALOG ALSO CONTAINS COMPONENTS FOR MAJOR OPTIONAL FEATURES LISTED BELOW)

WIRING DIAGRAM NO. (ENG)611-1109-01

PART NO.	QTY.	DESCRIPTION	PART NO.	QTY.	DESCRIPTION
----------	------	-------------	----------	------	-------------

Mobile Home Power Drawer

Refer To Supplement 965-1008

Dated March 1, 1979

Revised \_\_\_\_\_

<http://stores.ebay.com/UsefulCDs> 1

Page 01 of 1

© UsefulCDs

**F4**

WIRING DIAGRAM NO. 611-1094-01

PART NO.	QTY.	DESCRIPTION	PART NO.	QTY.	DESCRIPTION
----------	------	-------------	----------	------	-------------

NOTE: This Is A Special Motor Home Power  
 Drawer Unit.

Piston & Pin  
 (Includes Retaining Ring)

112-0134	2	Standard			
112-0134-05	2	.005" Oversize			
112-0134-10	2	.010" Oversize			
112-0134-20	2	.020" Oversize			
112-0134-30	2	.030" Oversize			
112-0134-40	2	.040" Oversize			
		Ring Set, Piston			
113-0174	2	Standard			
113-0174-05	2	.005" Oversize			
112-0174-10	2	.010" Oversize			
113-0174-20	2	.020" Oversize			
113-0174-30	2	.030" Oversize			
113-0174-40	2	.040" Oversize			
134-2837	1	Scroll (With Guard)			
307-12.9	1	Valve, Fuel Solenoid			
502-0020	1	Elbow, Street 90° (Fuel Solenoid)			
502-0082	1	Nipple, Reducing (Hex) Fuel Solenoid			
332-1477	1	Terminal, Solderless (Fuel Solenoid)			
103-0396	1	Gear - Case			
167-0188	1	Support, Hi Tension Cable			
191-0793	1	Bracket Support, Alternator Lead			
320-0547	1	Breaker, Circuit			
301-3734	1	Box, Circuit Breaker			
301-3735	1	Cover, Circuit Breaker Box			
508-0068	2	Grommet			
332-1381	1	Terminal			
517-0034	1	Button, Dot			
155-1315	1	Muffler			

SPECIAL PARTS LIST FOR MODEL 4.OBF-1R SPEC 15203C  
 FOR STANDARD PARTS REFER TO CATALOG 965-0315 KEY NO. -  
 (PARTS CATALOG ALSO CONTAINS COMPONENTS FOR MAJOR OPTIONAL FEATURES LISTED BELOW)

WIRING DIAGRAM NO. 611-1121-01

PART NO.	QTY.	DESCRIPTION	PART NO.	QTY.	DESCRIPTION
----------	------	-------------	----------	------	-------------

NOTE: This Is A Special Motor Home Unit.

123-1179	1	Tube, Oil Fill			
123-1162	1	Indicator And Cap, Oil Fill			
155-1362	1	Bracket, Spacer - Muffler Mounting			
191-1073	1	Stator, Alternator (10 Amp - 12.5 VDC @ 1800 rpm)			
520-0853	1	Stud, Air Cleaner			
140-1321	1	Adapter, Air Cleaner (Includes Breather Hose Adapter)			
160-1177	1	Spring, Retainer - Ignition			
160-1181	1	Arm, Ignition Breaker			
160-1180	1	Spring, Point Set Adjust			
160-1185	1	Clip, Adjusting Screw Retainer			
160-1182	1	Base Assembly, Lever And			
312-0196	1	Condenser - Ignition			
160-1172	1	Base, Ignition Breaker			
160-1176	1	Cover, Breaker Box			
524-0130	3.5 qts.	Oil			
403-1180	1	Frame Mounting			
320-0547	1	Breaker, Circuit			
301-3734	1	Box, Circuit Breaker			
301-3735	1	Cover, Circuit Breaker Box			
508-0068	2	Grommet			
330-0005	1	Box, Handy			
337-0081	1	Strap, Ground			
331-0027	1	Clamp			
332-0604	1	Block, Terminal			
332-1834	1	Marker, Strip - Terminal Block			
98-2473	1	Label, Control Cover			
312-0050	1	Condenser, Ignition			