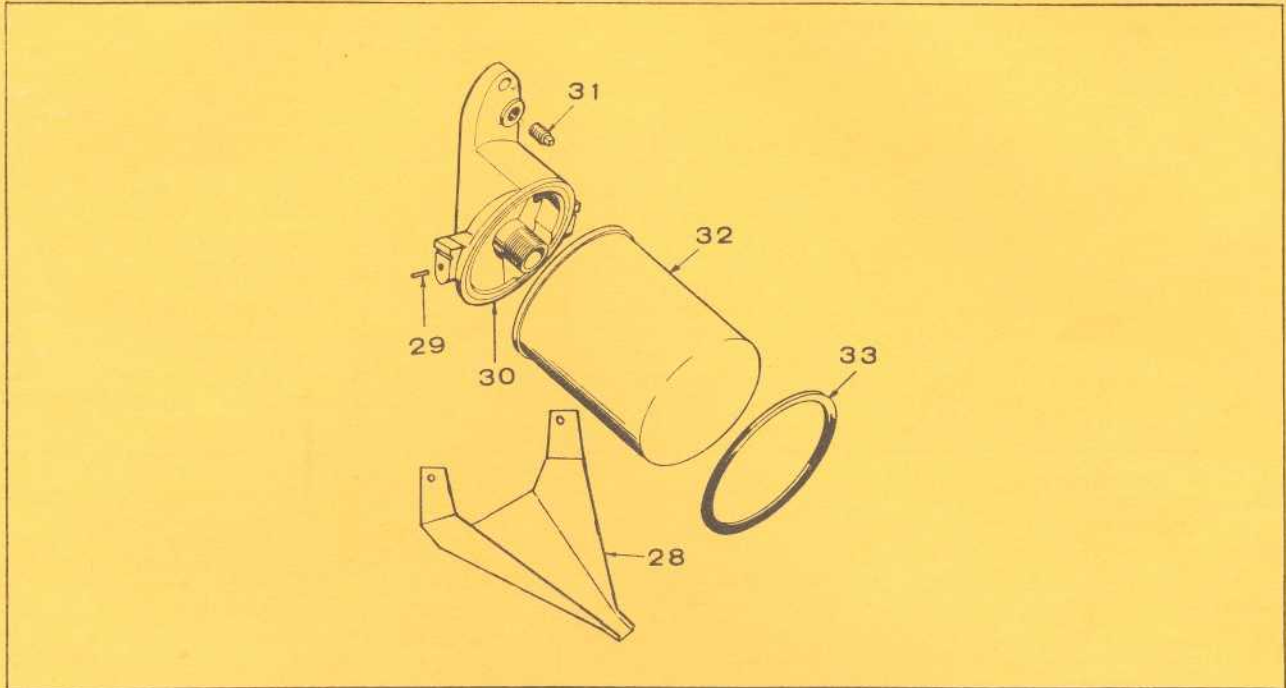


965-2501 (2-75)  
SUPPLEMENTARY PARTS LIST

Parts in this list apply to BF-MS/2929D. These are the parts that differ from those listed in the main parts catalog. Use these parts in place of/or in addition to those listed in the Major Service Manual and Parts Catalog, 965-0250.

Parts that are similar in appearance to those in the main parts catalog are not illustrated.



GEAR COVER; OIL BASE AND OIL PUMP GROUP

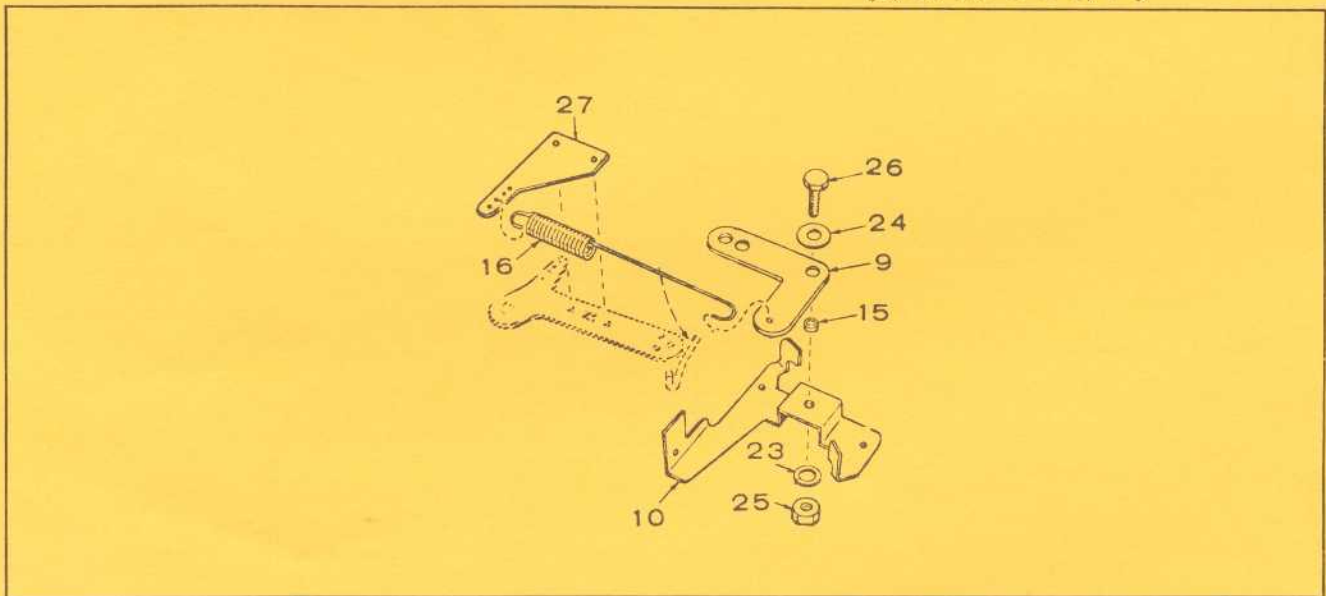
<u>REF. NO.</u>	<u>PART NO.</u>	<u>QTY. USED</u>	<u>PART DESCRIPTION</u>
14	505-0056	1	Plug, Oil Drain
15	102-0783	1	Base, Oil
24	DELETE		
26	526-0065	2	Washer, Flat - Copper - Oil Filter Adapter Mounting (21/64" I.D. x 9/16" O.D. x 1/16" thick)
27	800-0028	2	Screw, Hex Head - Steel - Oil Filter Adapter Mounting (5/16-18 x 1")
28	122-0360	1	Drain, Oil Filter
29	815-0194	2	Screw, Hex Head W/ET Washer (#10-32 x 3/8")
30	122-0320	1	Adapter, Oil Filter

GEAR COVER; OIL BASE AND OIL PUMP GROUP  
(Continued)

<u>REF. NO.</u>	<u>PART NO.</u>	<u>QTY. USED</u>	<u>PART DESCRIPTION</u>
31	502-0080	1	Plug, Square Head
32	122-0338	1	Filter, Oil (Spin-on)
33	122-0347	1	Seal, Air - Oil Filter to Blower Housing

FUEL SYSTEM GROUP

<u>REF. NO.</u>	<u>PART NO.</u>	<u>QTY. USED</u>	<u>PART DESCRIPTION</u>
6	520-0582	2	Stud, Intake Manifold Mounting
8	862-0015	2	Nut, Hex - Steel (5/16-18) - Intake Manifold Mounting
17	SCREW, HEX CAP - STEEL 800-0023	2	Carburetor Mounting (1/4-20 x 1-3/8")
	800-0034	2	Intake Manifold Mounting (5/16-18 x 2-1/4")



GOVERNOR, STARTER, CHARGING ALTERNATOR AND BLOWER HOUSING GROUP

<u>REF. NO.</u>	<u>PART NO.</u>	<u>QTY. USED</u>	<u>PART DESCRIPTION</u>
3	134-2890	1	Housing, Cylinder Air - Left
4	134-2605	1	Housing, Blower
5	134-3064	1	Housing, Cylinder Air - Right

GOVERNOR, STARTER, CHARGING ALTERNATOR AND BLOWER HOUSING GROUP  
(Continued)

<u>REF. NO.</u>	<u>PART NO.</u>	<u>QTY. USED</u>	<u>PART DESCRIPTION</u>
7	191-0885	1	Stator, Charging Alternator
9	150-1366	1	Link, Governor Control
10	150-1368	1	Bracket, Governor Mounting
11	DELETE		
16	150-1369	1	Spring Governor
17	DELETE 812-0066		Screw for Throttle Lever Adjusting
18	DELETE 850-0040		Lock Washer for Governor Control Mounting
19	815-0352	3	Screw, Hex Head Self Tapping (#8 x 3/8") - Governor Control Mounting
23	850-0040	1	Washer, Spring Lock (1/4")
24	526-0021	1	Washer, Flat - Steel (17/64" I.D. x 3/4" O.D. x 1/16" Thick)
25	862-0001	1	Nut, Hex - Steel (1/4-20)
26	800-0004	1	Screw, Hex Head Cap - Steel (1/4-20 x 5/8")
27	150-1367	1	Adapter, Governor Arm