

The following catalog has gaps in its page numbers, or doesn't have any numbers. We have chosen to leave the page numbering in the order that Acrobat assigns it.

FICHE LOCATION

ILLUSTRATION

1 A3 ***** DATA TABLE
 1 A11 ***** AUTOMOTIVE STARTER GROUP - KEY 2
 1 A7 ***** CAMSHAFT GROUP
 1 B1 ***** CARBURETOR PARTS GROUP
 1 B5 ***** CONTROL GROUP
 1 A5 ***** CRANKCASE & OIL BASE GROUP
 1 A7 ***** CRANKSHAFT & FLYWHEEL GROUP
 1 A5 ***** CYLINDER HEAD, VALVE & ROCKER GROUP
 1 B5 ***** ELECTRIC CHOKE & THERMO-MAGNETIC CHOKE GROUP
 1 B1 ***** FUEL SYSTEM GROUP
 1 A9 ***** GEAR COVER GROUP
 1 B7 ***** GENERATOR GROUP - ALTERNATOR PORTION - REVOLVING FIELD TYPE
 1 B9 ***** GENERATOR GROUP - EXCITER PORTION - REVOLVING FIELD TYPE
 1 B7 ***** GENERATOR GROUP (REVOLVING ARMATURE)
 1 A9 ***** GOVERNOR GROUP
 1 A11 ***** HEAT EXCHANGER GROUP
 1 B3 ***** IGNITION & TIMING CONTROL GROUP
 1 A7 ***** MANIFOLD & THERMOSTAT GROUP
 1 A9 ***** OIL SYSTEM GROUP
 1 A7 ***** PISTON & CONNECTING ROD GROUP
 1 B13 ***** SERVICE KITS & MISCELLANEOUS
 1 A11 ***** SPECIAL PARTS FOR KEEL COOLING MODELS
 1 A13 ***** WATER PORTION PARTS GROUP (132B110) - PLANTS WITH HEAT EXCHANGER ONLY
 1 A13 ***** WATER PUMP PARTS GROUP (131B152)
 1 A13 ***** WATER PUMP PARTS GROUP (132B59) - PRIOR TO SPEC L
 1 A13 ***** WATER PUMP PARTS GROUP (132C74) - KEEL COOLING ONLY

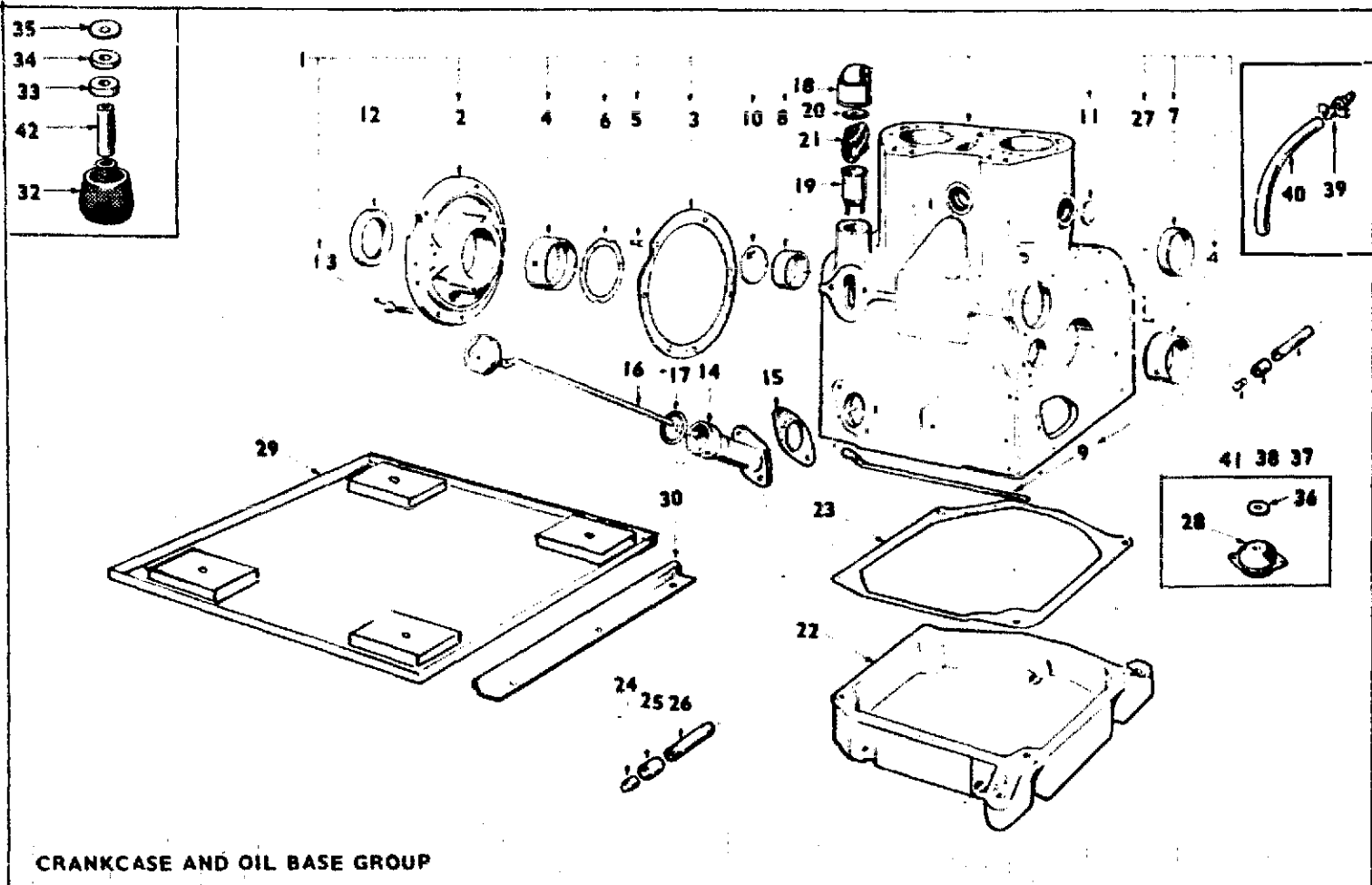
This catalog applies to the standard MJB Plants as listed below. Parts are arranged in groups of related items. Each illustrated part is identified by a reference number corresponding to the same reference number below the illustration. Parts illustrations are typical. Using the *Model and Spec. No.* from the plant nameplate, select the Parts Key No. (1, 2, etc., in the last column) that applies to your plant Model and Spec. No. This Parts Key No. represents parts that differ between models. Unless otherwise mentioned in the description, parts are interchangeable between models. Right and left plant sides are determined by *facing* the engine end (front) of the plant.

PLANT DATA TABLE

* MODEL & SPEC.	ELECTRICAL DATA					PARTS KEY NO.
	WATTS	VOLTS	CYCLES	WIRE	PHASE	
5MJB-1R/*	5,000	120	60	2	1	1
5MJB-2R/*	5,000	240	60	2	1	
5MJB-3R/*	5,000	120/240	60	3	1	
5MJB-3CR/*	5,000	120/240	60	**	1	
5MJB-4R/*	5,000	120/208	60	4	3	
5MJB-5R/*	5,000	240	60	3	3	
6MJB-53R/*	6,000	120/240	50	**	1	2
6MJB-54R/*	6,000	120/208	50	4	3	
6MJB-55DR/*	6,000	120/240	50	4	3	
705MJB-3R/*	7,500	120/240	60	**	1	
705MJB-4R/*	7,500	120/208	60	4	3	
705MJB-5DR/*	7,500	120/240	60	4	3	

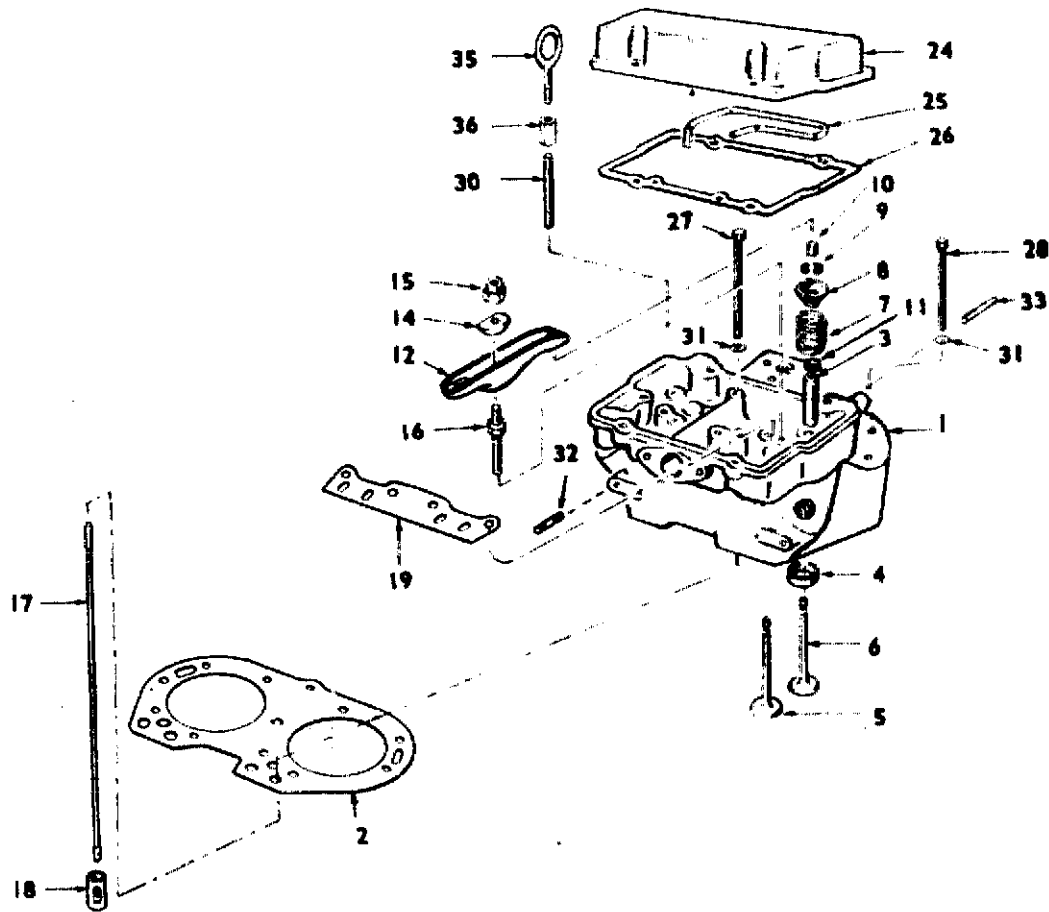
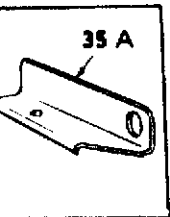
* - The Specification Letter Advances (A to B, B to C, etc.) with manufacturing changes.

** - Plant is reconnectable for 120 volt 2 wire, 240 volt 2 wire or 120/240 volt 3 wire service.



CRANKCASE AND OIL BASE GROUP

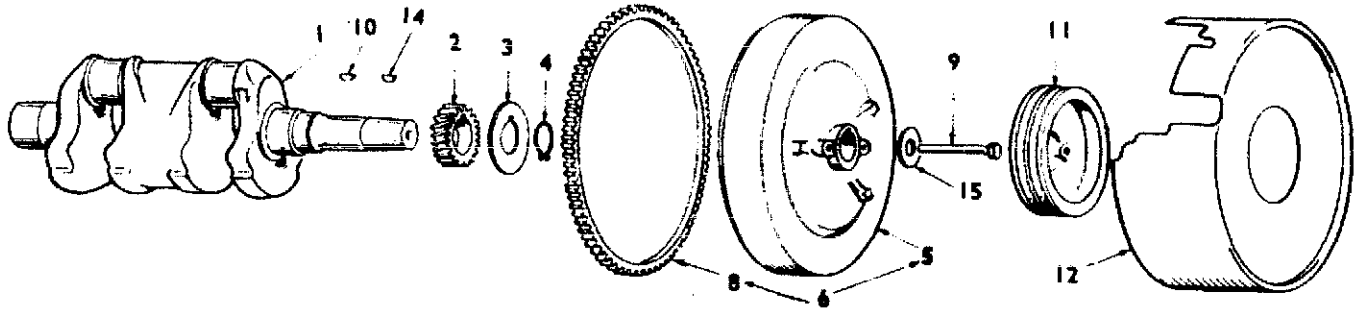
REF. NO.	PART NO.	QTY. USED	PART DESCRIPTION	REF. NO.	PART NO.	QTY. USED	PART DESCRIPTION
1	110A1298	1	Block Assy., Cylinder, Incl. Bearings		402P244	2	Eng. End, Ht. Exch. Pits. - Spec. G thru H
2	101D337	1	Plate, Brg. (Less Brg. & Pins)		402P244	2	Gen. End, To Spec. J
3	101K386	1	Gasket Kit, Brg. Plate (Incl. Steel Shims)	29	PAN, DRIP		
4	101B359	2	Bearing, Prec. Frt. or Rr., Specify: Std., or .002", .010", .030" Under.		405C1273	1	Key 1, To Spec. J
5	516A72	4	Pin, Thrust Washer		405C1401	1	Key 1, Begin Spec. J
6	104B420	2	Washer, Crankshaft Thrust		405C1264	1	Key 2, To Spec. J
7	101B363	1	Bearing, Precision Cam Frt. Std. Only		405C1402	1	Key 2, Begin Spec. J
8	101B365	1	Bearing, Precision Cam Rear, Std. Only	30	405C1265	2	Clamp, Drip Pan Hold-down, Begin Spec. J
9	120A553	1	Tube, Crankcase Oil	32	CUSHION, VIBRATION, CONE SHAPED, BEGIN SPEC. J		
10	517-53	1	Plug, Camshaft Opening		402B284	2	Eng. End
11	517-59	4	Plug, Exp., Cyl. Blk.		402B285	2	Gen. End, Key 2
12	509-86	1	Seal, Crankshaft Rear		402B286	2	Gen. End, Key 1
13	805-19	6	Bolt, Place, Pits., 3/8-16 x 1-1/4"	33	402A282	4	Snubber, Shock Mtg., Begin Spec. J
14	123A649	1	Tube, Oil Fill	34	526-14	4	Washer (29/64" I.D. x 1-1/2" O.D. x 1/8") Only with Cone Shaped Cush.
15	123A667	1	Gasket	35	526A198	As Req.	Washer (5/8" I.D. x 1-1/2" O.D. x 1/16") Only with Cone Shaped Cush.
16	123A651	1	Cap & Indicator	36	WASHER, MOUNTING (Only with one piece mount) To Spec. J		
17	123A191	1	Gasket, Cap		526A181	4	Lower, 17/32 x 2-7/8 x 1/8"
18	CAP, BREATHER				526A182	4	Upper, 17/32 x 2-7/8 x 1/4"
	123A458	1	To Spec. H	37	NIPPLE, WATER DRAIN		
	123A787	1	Begin Spec. H		505-71	1	To Spec. K (1/4 x 2")
19	123A645	1	Tube, Breather		505-449	1	Begin Spec. K (1/4 x 6")
20	123A315	1	Valve, Breather	38	505-27	1	Coupling (1/4") Water Drain
21	123A865	1	Baffle, Breather	39	504-63	1	Valve, Water Drain, To Spec. K
22	BASE, OIL			40	503A381	1	Hose, Water Drain, To Spec. K
	102D450	1	To Spec. J	41	502-153	1	Plug, (1/4) Water Drain
	102D540	1	Begin Spec. J	42	402A290	4	Bushing, Spacer, Vib. Mtg., Begin Spec. J
23	102B451	1	Gasket, Base				
24	505-56	1	Plug (1 2")				
25	505-14	1	Coupling (1 2")				
26	505-2	1	Nipple (1 2" x 3")				
27	516A141	2	Pin, Dowel, Gr. Cover Locating				
28	CUSHION, VIBRATION						
	402P242	2	Eng. End, To Spec. J				



CYLINDER HEAD, VALVE AND ROCKER GROUP

REF. NO.	PART NO.	QTY. USED	PART DESCRIPTION
1	110B1273	1	Head, Cylinder
2	110B1510	1	Gasket, Head (Repl. 110C1211)
3	110A1501	4	Guide, Valve (Repl. 110A1216)
4	INSERT, VALVE SEAT - SPECIFY: STD. OR .002", .005", .010", .025" OVERSIZE		
	110A1214	2	Intake
	110A1215	2	Exhaust
5	110B1218	2	Valve, Intake
6	110B1219	2	Valve, Exhaust, Stellite
7	110A1221	4	Spring, Valve
8	110B1220	4	Retainer, Valve Spring
9	110A858	8	Lock, Valve Spring Retainer
10	110A859	4	Cap, Valve Stem
11	509A90	2	Seal, Oil - Intake Valve, Incl. Ret. Rgs.
12	ARM ROCKER		
	115B128	2	Exhaust
	115B129	2	Intake
14	115B127	4	Ball, Rocker Arm
15	115B150	4	Locknut, Rocker Arm
16	115A152	4	Stud, Rocker Arm

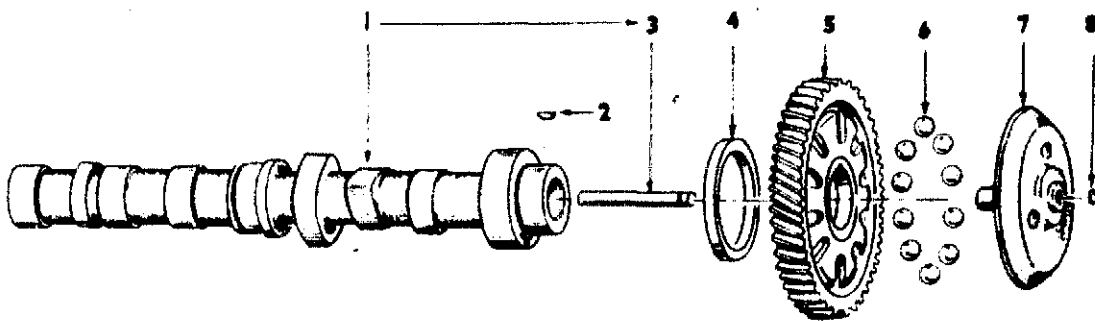
REF. NO.	PART NO.	QTY. USED	PART DESCRIPTION
17	115A154	4	Rod, Valve Push (Steel)
18	TAPPET, VALVE		
	115A132	4	To Spec. P
	115A185	4	Begin Spec. P
19	115B142	1	Guide, Push Rod
24	115D164	1	Cover, Rocker (Repl. 115D141)
25	120B628	1	Line, Oil Rocker Cover
26	115B130	1	Gasket, Rocker Cover
27	110A1225	5	Screw (3/8-16 x 4-3/4") Cyl. Head
28	800A501	6	Screw (3/8-16 x 3-3/8") Cyl. Head
30	520A622	1	Stud, Cyl. Hd. (Only with Eye-bolt & Extension Nut)
31	526-174	7	Washer, Cyl. Hd.
32	520A526	2	Stud, Carburetor
33	520A608	4	Stud, Exhaust Manifold
35		1	Bolt, Lifting (Order 403K707)
35A	403K707	1	Bracket, Lifting, Incl. Hdw.
36	110A1303	1	Nut, Extension (Only on Mdls. with Lifting Eye)
38	809-42	1	Bracket, Oil Line, Rocker Cover



CRANKSHAFT AND FLYWHEEL GROUP

REF. NO.	PART NO.	QTY. USED	PART DESCRIPTION
1	104D439	1	Crankshaft
2	104B418	1	Gear
3	104A416	1	Washer, Retainer
4	518-188	1	Ring, Lock
5	104B474	1	Flywheel, Key 1 - To Spec. F
6	FLYWHEEL, INCLUDES RING GEAR		
	104B475	1	Key 1, Begin Spec. F
	104B475	1	Key 2
8	104B423	1	Gear, Ring, Key 2 & Key 1 - Begin Spec. F
9	800A500	1	Screw, 7/16-14 x 5-3/4", Flywheel
10	515-1	1	Key, Gear

REF. NO.	PART NO.	QTY. USED	PART DESCRIPTION
11	PULLEY, FLYWHEEL - FOR PLTS. WITH HEAT EXCHANGER OR KEEL COOLING		
	104B449	1	To Spec. G
	104B550	1	Begin Spec. G
12	GUARD, FLYWHEEL		
	104D467	1	Key 1, To Spec. F
	104D444	1	Key 1, Begin Spec. F
	104D444	1	Key 2
14	KEY, FLYWHEEL TO CRANKSHAFT		
	515-2	1	Spec. A Only
	515-153	1	Begin Spec. B
15	526A185	1	Washer, Flywheel Mtg. Screw



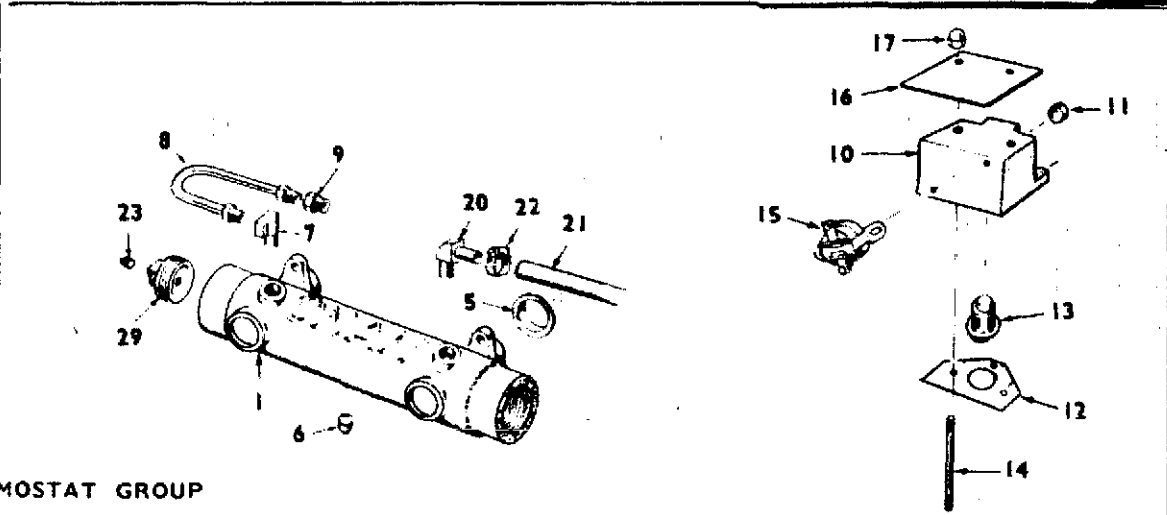
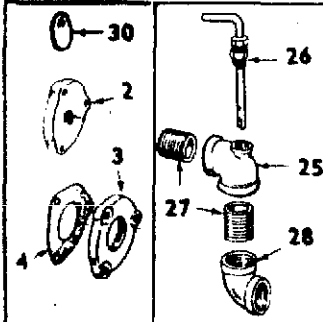
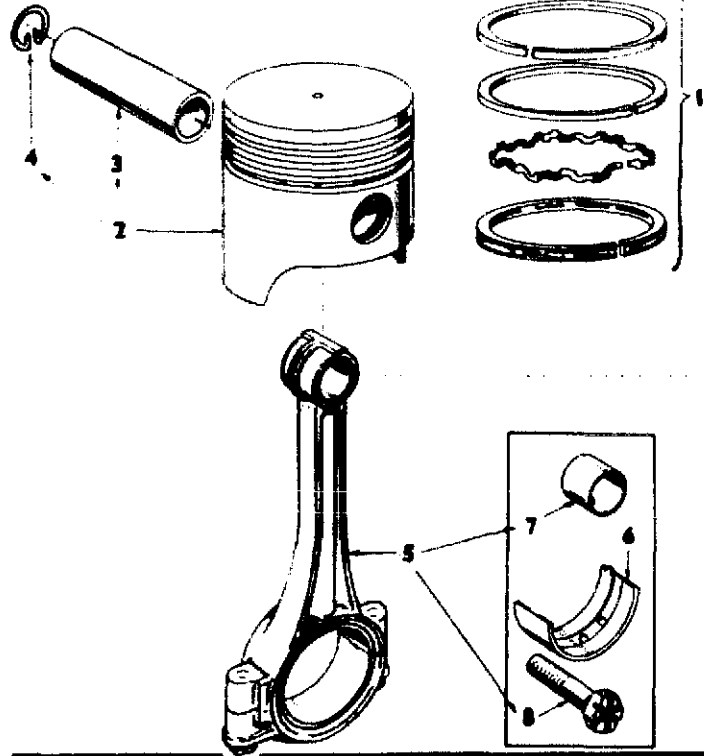
CAMSHAFT GROUP

REF. NO.	PART NO.	QTY. USED	PART DESCRIPTION
1	CAMSHAFT - INCLUDES CENTER PIN		
	105A219	1	To Spec. P
	105A272	1	Begin Spec. P
2	515-1	1	Key, Cam. Gear or Dist. Gear
3	150A75	1	Pin, Center
4	105A205	1	Washer, Thrust

REF. NO.	PART NO.	QTY. USED	PART DESCRIPTION
5	105B218	1	Gear, Includes Flyball Spacer & Plate
6	510-46	10	Flyball, Governor
7	150C775	1	Cup, Governor
8	150A78	1	Ring, Snap, Center Pin

PISTON AND CONNECTING ROD GROUP

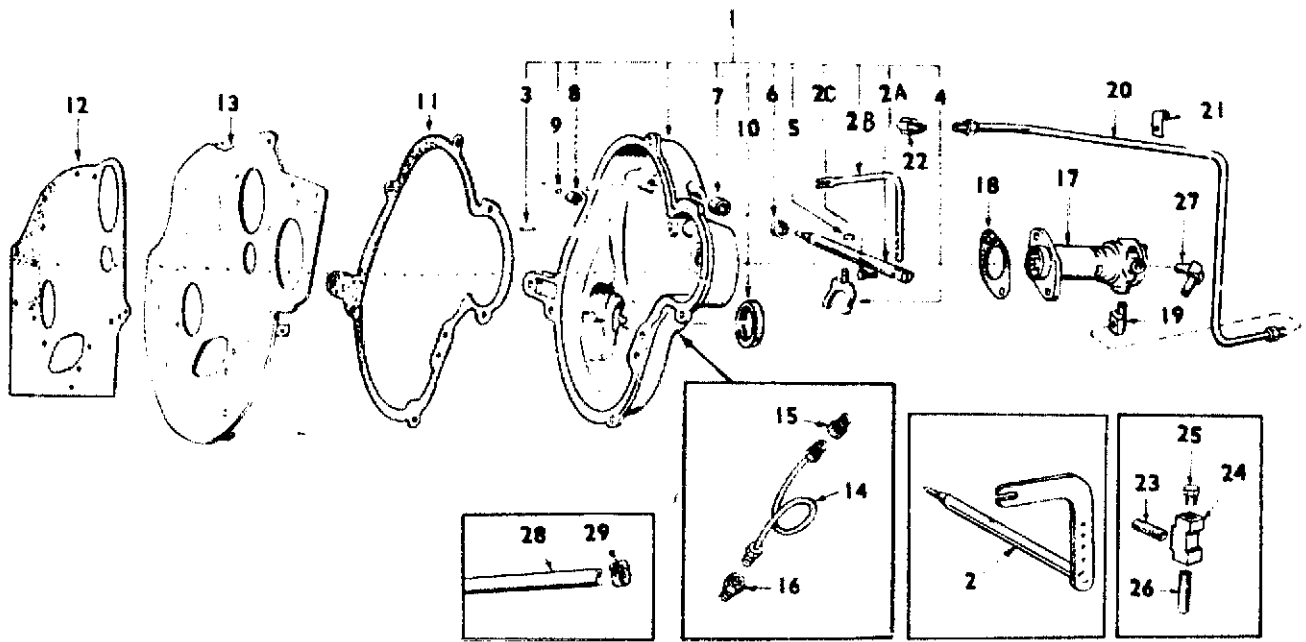
REF. NO.	PART NO.	QTY. USED	PART DESCRIPTION
1	113-89	2	Ring Set, Specify: Std. or .010" .020" .030" Over.
2	112-92	2	Piston & Pin - Incls. Pin Retaining Rings - Specify: Std. or .010" .020" .030" Over.
3	112A86	2	Pin, Specify: Std. or .002" Over.
4	112A85	4	Ring, Retaining, Pin
5	114A163	2	Rod Assy., Connecting (Forged)
6	114B164	4	Bearing Half, Connecting Rod - Specify: Std. or .002", .010" .020", .030" Under.
7	114A166	2	Bushing, Piston Pin, Connecting Rod, Semi-Finished
8	B05A12	4	Bolt, (5/16-24 x 1-13/16")



MANIFOLD AND THERMOSTAT GROUP

REF. NO.	PART NO.	QTY. USED	PART DESCRIPTION
1	154D708	1	Manifold, Exh., Wtr. Cooled, To Spec. J Also Order 505A490 Plug Repl. Manifold with End Caps
2	154A709	1	Cap, End, Exh. Man., Plain, To Spec. J
3	154A710	1	Cap, End, Exh. Manifold, Threaded Outlet, To Spec. J
4	154A711	2	Gasket, Exh. Manifold Cap, To Spec. J
5	154A1057	2	Gasket, Exh. Manifold to Hd. (Repl. 154A463)
6	505-110	1	Plug, Pipe, 3/8", Man. Wtr. Drain
7	502-74	1	Elbow, Inv. Male, Man. Wtr. Line Inlet
8	130A510	1	Line, Water, Therm. Cover to Manifold
9	502-103	1	Connector, Inv. Male, Therm. Cover Outlet
10	COVER, THERMOSTAT		
	309B144	1	Plants Without Keel Cooling
	309A161	1	Plants With Keel Cooling
11	505-274	1	Plug, Pipe (1/8" Counter-sunk) Therm. Cover
12	309A145	1	Gasket, Therm. Cover
13	309B130	1	Thermostat
14	520A143	2	Stud, Thermostat Cover

REF. NO.	PART NO.	QTY. USED	PART DESCRIPTION
15	309A156	1	Switch, High Temp. Cut-off (Repl. 309A151)
16	309A154	1	Cover, Therm. Switch, Plts. with Switch Mtd. on Cover
17	869-2	2	Nut, Acorn (5/16-24) Therm. Cover Stud
20	502-237	1	Elbow, Brass - Exh. Man. Wtr. Outlet
21	503-159	2	Hose, Rubber (1/2 x 3/4) Wtr. Out. & In.
22	503-183	4	Clamp, Water Hose
23	502-80	1	Plug, Pipe - 1/8" Sq. Hd. Brass - Manifold End Cap
25	505-485	1	Tee, Reducing, Exh. (with Provision for Wtr. Line)
26	154B894	1	Tube Assy., Wtr. Hose Adapter (Incl. Fitting)
27	505-625	2	Nipple, Close (1-1/4") Exh.
28	505-493	1	Elbow, Pipe (1-1/4" x 90°) Exhaust
29	505A490	1	Plug, Exh. Man. End, Begin Spec. J
30	517-41	3	Plug, Exp. - Manifold
	155P639	1	Muffler (Elasto Muffler) Neoprene Rubber, For Wet Exh., Optional

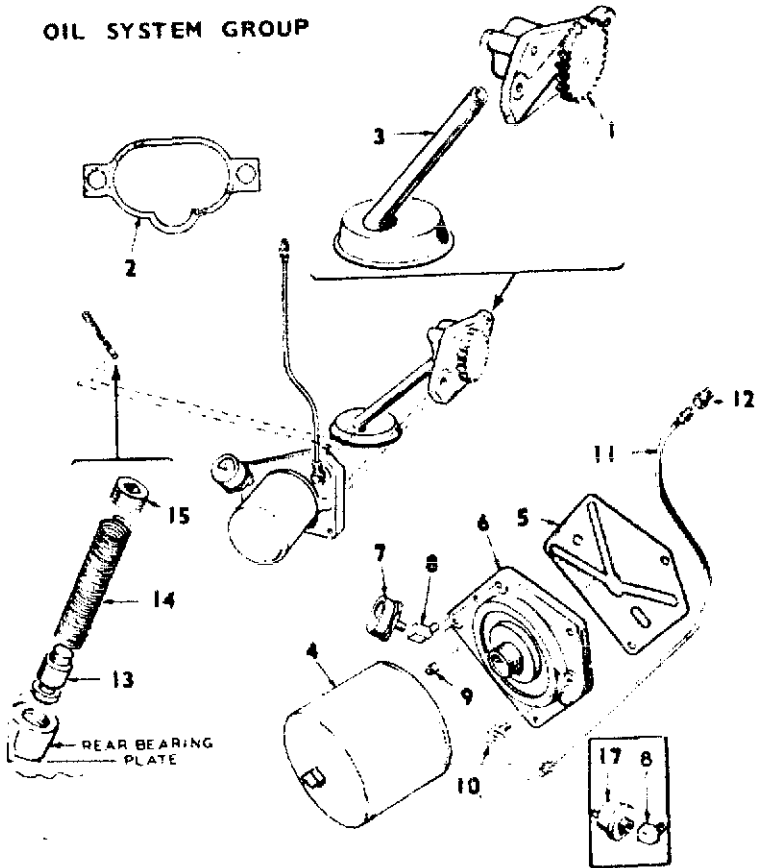


GEAR COVER GROUP

REF. NO.	PART NO.	QTY. USED	PART DESCRIPTION
1	COVER ASSEMBLY, GEAR, COMPLETE 103C267	1	To Serial 685921 (To Replace 103C237 Also Order 150B840 Arm & 103B251 Gasket)
	103C267	1	Begin Serial 685921 Through Spec. D (To Replace 103C244 Also Order 103B251 Gasket)
	103C267	1	Begin Spec. E
2	150B785	1	Arm & Shaft To Serial 685921 Order 150B838 Shaft, 150B840 Arm
2A	150B838	1	*Shaft, Governor, Begin Serial 685921
2B	150B840	1	Arm, Governor, Begin Serial 685921
2C	815-176	1	*Screw, #8-32 x 1 1/2" Begin Serial 685921
3	516-111	1	*Pin, Roll - Governor Cup Stop
4	150A777	1	*Yoke, Governor
5	518-129	1	*Ring, Yoke
6	509-88	1	*Seal, Oil
7	510P48	1	*Bearing, 1 1/2", Gov. Shaft
8	510P82	1	*Bearing, 1 1/4", Gov. Shaft (Repl. 510P49)
9	*BALL, BEARING - GOV. SHAFT THRUST 510-14	1	To Spec. E
	510-43	1	Begin Spec. E
10	509-87	1	*Seal, Oil
11	GASKET, GEAR COVER 103C219	1	To Spec. E (Cast Iron Cover)
	103B251	1	Begin Spec. E (Die Cast Cover)
12	103C218	1	Gasket, Backplate

REF. NO.	PART NO.	QTY. USED	PART DESCRIPTION
13	103D228	1	Backplate
14	120A581	1	Line, Cover (Early Mdl. Only)
15	502A235	1	Connector, Restricted, Oil Line (Early Models Only)
16	502-30	1	Connector, Inverted Male, Oil Line (Early Models Only)
17	PUMP, WATER (Components in Separate Group) 131K182	1	To Spec. L (Also Order 130B628 Line) Repl. 132B59
	131B152	1	Begin Spec. L
18	131A127	1	Gasket, Water Pump Mtg.
19	502-76	1	Elbow, Inv. Male, Wtr. Pump Out.
20	LINE, PUMP TO BLOCK 130D509	1	To Spec. L
	130B628	1	Begin Spec. L
21	130A511	1	Clamp, Water Line
22	502-74	1	Elbow, inv. Male - Wtr. Line to Blk.
23	502-47	1	Nipple (Brass), Wtr. Pump - To Spec. L
24	502-157	1	Tee, Wtr. Pump - To Spec. L
25	502-153	1	Plug (Brass), Wtr. Pump Tee - To Spec. L
26	502A256	1	Nipple, Wtr. Pump In. - To Spec. L
27	502P304	1	Elbow, Wtr. Pump In., Begin Spec. L (Will Work Prior to Spec. L Plts.)
28	503-159	1	Hose, Wtr. Pump In., Begin Spec. L
29	503-183	2	Clamp, Wtr. Pump In. Hose - Begin Spec. L

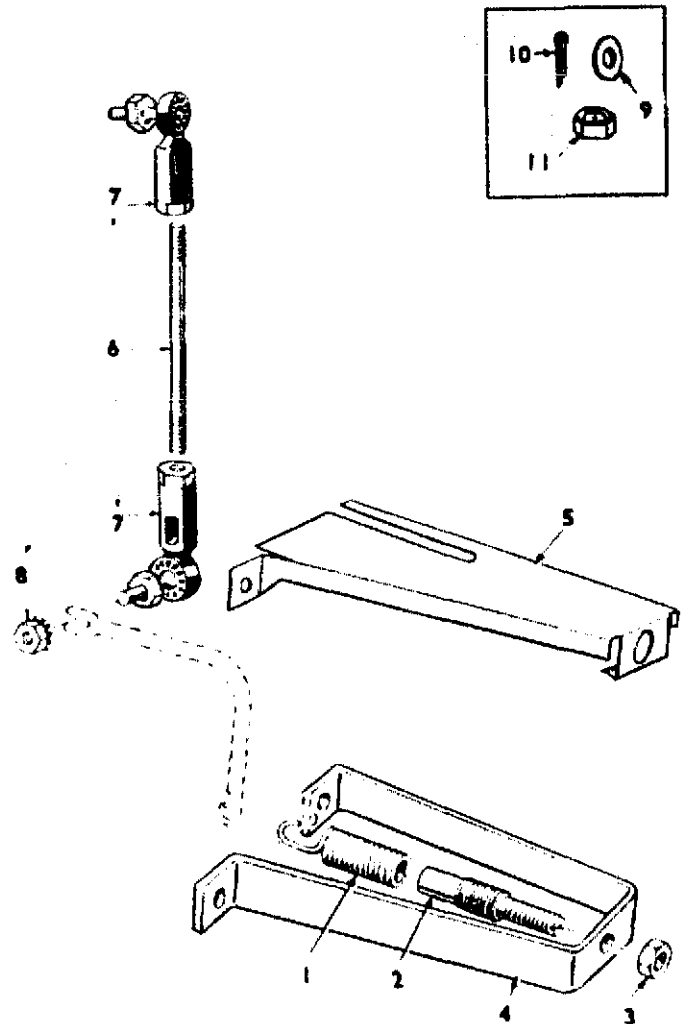
OIL SYSTEM GROUP



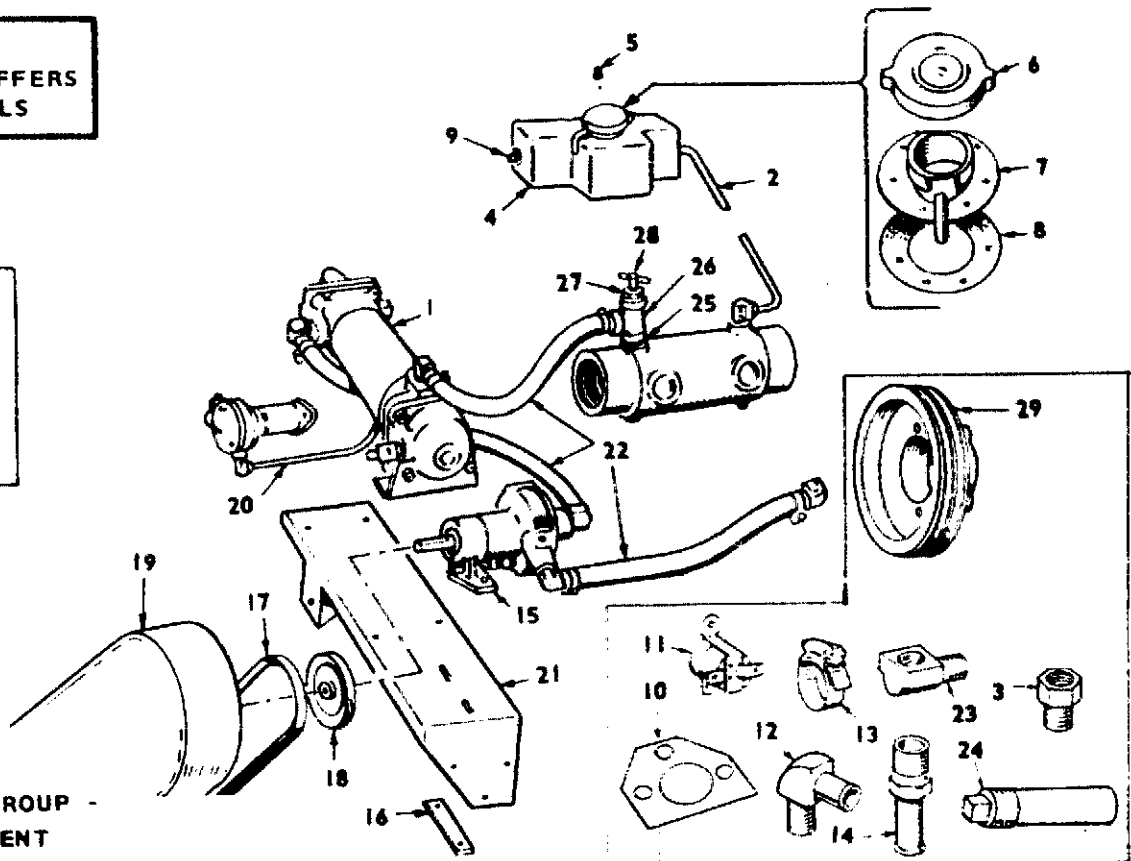
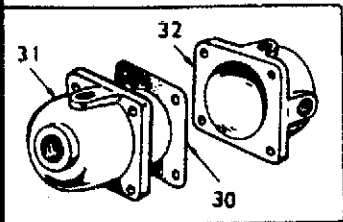
REF. NO.	PART NO.	QTY. USED	PART DESCRIPTION
1	120A547	1	Pump Assembly, Oil
2	120K580	1	Gasket Kit, Pump
3	120A551	1	Cup, Oil Intake
4	122A185	1	Filter
5	122A188	1	Gasket, Adapter
6	122A182	1	Adapter, Oil Filter
7	193P6	1	Gage, Oil Pressure
8	502A53	2	Elbow, Street 45° (1) Oil Gage (1) Low Oil Pressure Switch
9	505-57	1	Plug, 1/8", Adapter
10	ELBOW, INV. MALE, LINE TO ADAPTER		
	502-19	1	To Spec. P
	502-37	1	Begin Spec. P
11	LINE, ADAPTER TO CYL. HD.		
	120A562	1	To Spec. P
	120A672	1	Begin Spec. P
12	CONNECTOR, RESTRICTED LINE TO CYL. HD.		
	502A235	1	To Spec. P
	502A274	1	Begin Spec. P
13	120A539	1	Valve, Oil By-Pass
14	120A555	1	Spring, By-Pass Valve
15	505-274	1	Plug, 1/8" Oil By-Pass
17	309B64	1	To Spec. F (Optional)
	309A169	1	Begin Spec. K (Optional Spec. F thru J)

GOVERNOR GROUP

REF. NO.	PART NO.	QTY. USED	PART DESCRIPTION
1	150A821	1	Spring
2	150A822	1	Stud, Adjusting
3	104A91	1	Nut, Adjusting Stud
4	150A810	1	Bracket Assembly
5	150B823	1	Cover, Gov. Sprg. Brkt.
6	150A965	1	Linkage Assy.
7	150A974	2	Joint, Ball (Early Plants 1 Only)
8	870-131	1	Nut, Keps, Joint Arm
9	526-116	2	Washer, Flat Link to Carb. (Early Models Only)
10	516-36	1	Pin, Linkage to Carb. (Early Models Only)
11	870-130	1	Palnut, Locking



NOTE!
WATER ROUTING DIFFERS
BETWEEN MODELS

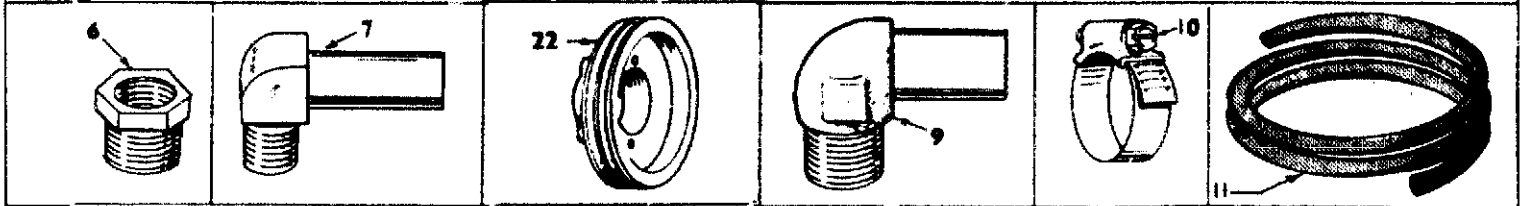
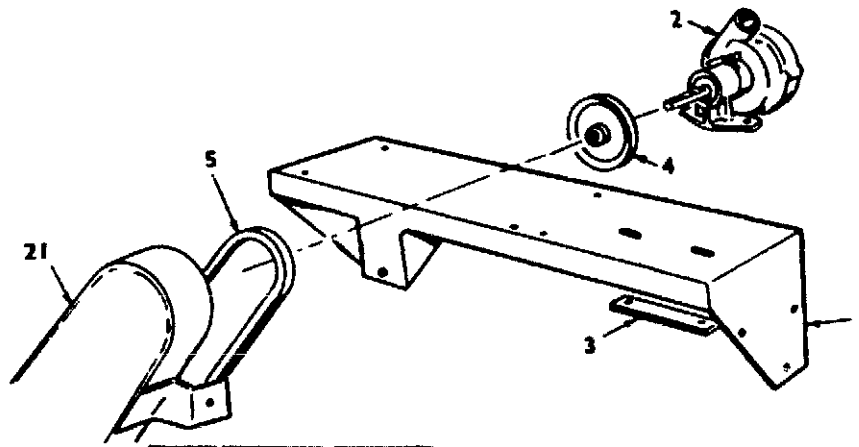


**HEAT EXCHANGER GROUP -
OPTIONAL EQUIPMENT**

REF. NO.	PART NO.	QTY. USED	PART DESCRIPTION	REF. NO.	PART NO.	QTY. USED	PART DESCRIPTION
1	130C514	1	Exchanger, Heat	20	130A527	1	Line, Water, Raw Wtr. Pump to Heat Exch., To Spec. L
2	130A568	1	Line, Water, Exp. Tank to Exhaust Manifold	20	130A627	1	Line, Water, Raw Wtr. Pump to Heat Exch., Begin Spec. L
3	502-103	1	Connector, Inv. Male, Exp. Tank Outlet	21	BRACKET, HEAT EXCH. & GOV. SPRG. BRKT. 130B515	1	To Spec. G
4	130D524	1	Tank, Expansion		130D587	1	Begin Spec. G
5	505-80	1	Plug (1/8") Exp. Tank Fill Vent	22	503-159	1	Hose, Rubber (1/2" I.D. x 3/4", Total Length Required for all Hoses)
6	130A589	1	Cap, Pressure, To Serial 704528 Also Order 130A590 Neck & Adapter	23	502-74	1	Elbow, Inv. Male, Manifold Line Inlet
7	130A590	1	Neck & Adapter, Exp. Tank Cap, To Serial 704528 Also Order 130A589 Cap	24	130A626	1	Pencil Assy., Zinc (Incl. in Heat Exchanger)
8	130A519	1	Gasket, Adapter	25	502-85	1	*Nipple, (3/8") Man. Outlet
9	505-155	1	Plug (3/8"), Exp. Tank	26	502-257	1	*Tee (3/8") Manifold Outlet
10	309A145	1	Gasket, Therm. Chamber	27	502-49	1	*Bushing (1/8 x 3/8) Manifold Outlet
11	309A156	1	Switch, Hi-Temp. Cut-off	28	504-6	1	Valve, Air Bleed, Man. Out.
12	502-237	5	Elbow, Hose Connections	29	PULLEY, FLYWHEEL 104B449	1	To Spec. G
13	503P446	6	Clamp, Hose		104B550	1	Begin Spec. G
14	502-238	1	Nipple, Man. Outlet Hose Connection (Some Early Mdl's. Used on Centrifugal Pump)	30	130P726	2	Gasket, End Bonnet-Ht. Exch.
15	132B110	1	Pump, Centrifugal Water, Less Pulley - Replaces 132B70 & 132B95	31	130P728	1	Bonnet, Ht. Exch. - Raw Water
16	131A130	1	Bar, Pump Hold-down	32	130P727	1	Bonnet, Ht. Exch. - Fresh Water
17	BELT, CENTRIFUGAL WATER PUMP 511P62	1	To Spec. G		REPAIR KIT, WATER PUMP - (INCL. SHAFT & BRGS., IMPELLER, SEAL, GSKT. & SCREWS 132K80	1	For Oberdorfer Mdl. IGP #50-P9 & IGP #10-P11 (Onan #132B70 & 132B95)
	511P67	1	Begin Spec. G		132K111	1	For Oberdorfer Mdl. IGP #50-P15 (Onan #132B110)
18	PULLEY, CENTRIFUGAL WATER PUMP 512P36	1	To Spec. G				
	512P42	1	Begin Spec. G				
19	GUARD, BELT 130D518	1	To Spec. G				
	130D591	1	Begin Spec. G				

* - Not used on some early models.

† - See Separate Group for Component Parts.

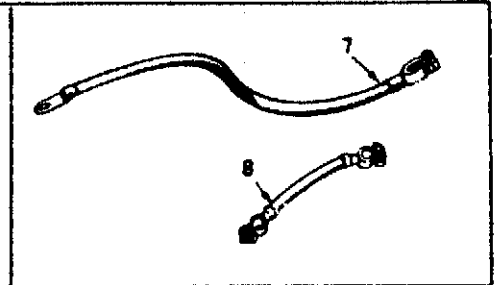
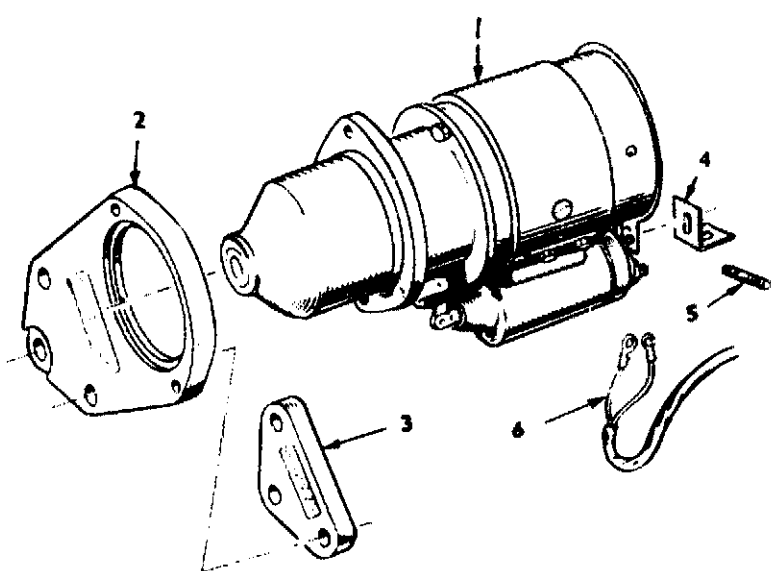


SPECIAL PARTS FOR KEEL COOLING MODELS - OPTIONAL EQUIPMENT

REF. NO.	PART NO.	QTY. USED	PART DESCRIPTION
1	130B587	1	Bracket, Pump & Gov. Sprg.
2	132B74	1	† Pump, Water, Less Pulley (Note: Repair Kit Listed Below)
3	131A144	1	Bar, Pump Hold-down
4	512P42	1	Pulley, Water Pump
5	511P68	1	Belt, Water Pump Drive
6	502-297	1	Bushing, Reducer (1 2 x 3/8 Brass), Pump
7	502-237	2	Elbow, Out., Pump

REF. NO.	PART NO.	QTY. USED	PART DESCRIPTION
9	502A278	1	Elbow, Pump In.
10	503P183	2	Clamp, Hose
11	503-469	1	Hose, Rubber, Pump to Blk.
21	130D591	1	Guard, Belt
22	PULLEY, FLYWHEEL		
	104B449	1	To Spec. G
	104B550	1	Begin Spec. G
	132K93	1	Repair Kit, Water Pump (Incl. Shaft & Brg., Seal, Gskt. & Screws) For 132C74 Pump

† - See Separate Group for Component Parts.



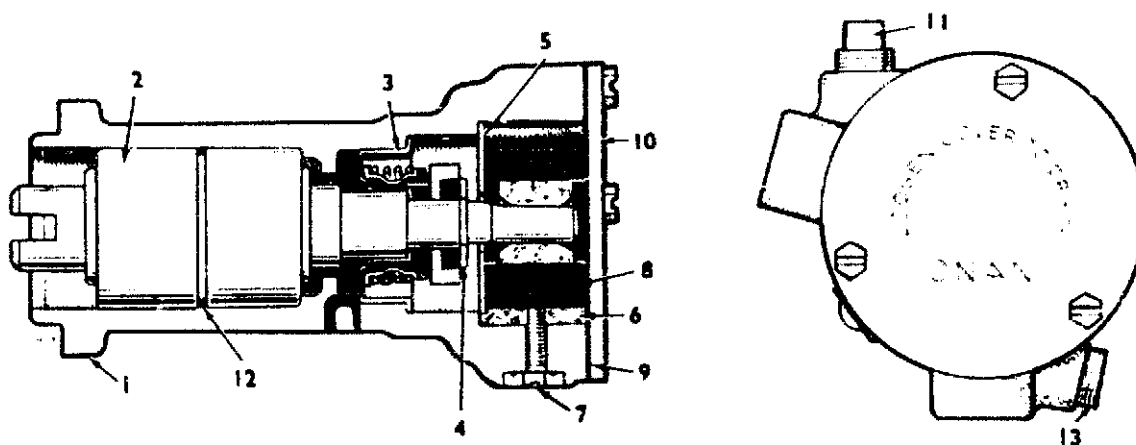
AUTOMOTIVE STARTER GROUP

NOTE: Used on plants with Key 2

REF. NO.	PART NO.	QTY. USED	PART DESCRIPTION
1	191C324	1	*Motor, 12-V
2	191C512	1	Flange, Mounting
3	191A311	1	Spacer, Flange
4	191A365	1	Bracket, Support
5	520A624	1	Stud, Battery Cable Ground
6	388255	1	Harness, Starter to Cont.

REF. NO.	PART NO.	QTY. USED	PART DESCRIPTION
7	416A21	2	Cable, Battery (Repl. 416A77)
8	416A4	1	Cable, Jumper
	191-432	1	Clutch, Starter
	191-433	1	Switch, Start Sol.
	191-434	1	Brush Set, Starter

Redistribution or publication of this document by any means, is strictly prohibited.

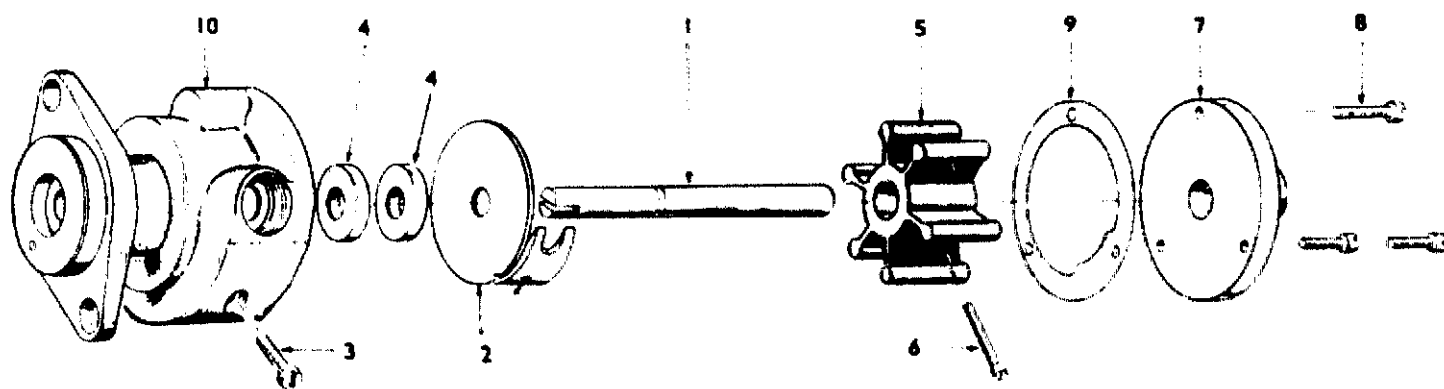


WATER PUMP PARTS GROUP (131B152)

REF. NO.	PART NO.	QTY. USED	PART DESCRIPTION
	PUMP, WATER		
	131K182	1	To Spec. L (Also Order 130B628 Line.
	131B152	1	Begin Spec. L
	131K179	1	Kit, Repair - Incl. Parts Marked *
1		1	Body (Not Sold Separately)
2	131A154	1	Bearing Shaft Assy.
3	131P157	1	*Seal Assembly
4	518P221	1	*Retaining Ring

REF. NO.	PART NO.	QTY. USED	PART DESCRIPTION
5	131A158	1	*Wear Plate, Rear
6	131C159	1	*Can
7	815-283	4	Screw, H.H. Brass (1) *Cam (3) Cover
8	131P160	1	*Impeller
9	131A161	1	*Gasket, Cover
10	131A162	1	*Cover, Pump
11	502-80	1	Plug, Pipe (Sq. Hd.) Priming
12	509-113	1	O-Ring
13	502-308	1	Plug, Pipe (Hex Socket) Drain

* - Contained in Repair Kit.



WATER PUMP PARTS GROUP (132B59)

Note: This group applies to plants prior to Spec. L

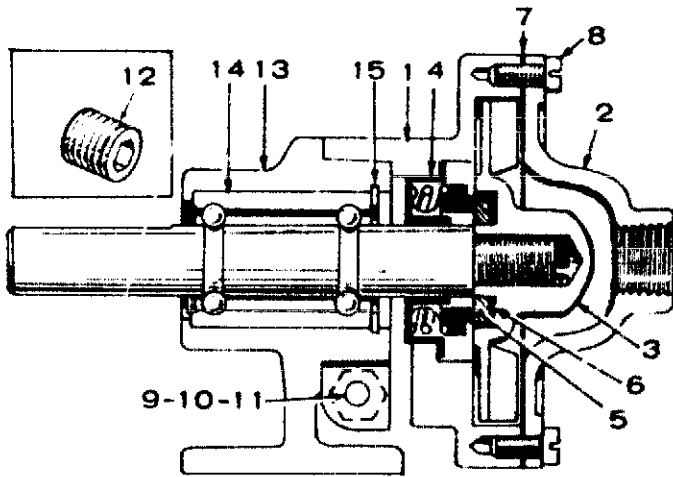
REF. NO.	PART NO.	QTY. USED	PART DESCRIPTION
	132-69	1	Kit, Wtr. Pump Service, Incl. Parts Marked *
1	132-60	1	Shaft
2	132-61	1	Plate Assy., Cam & Wear
3	132-62	1	Screw, Cam & Plate
4	132-63	2	*Seal

REF. NO.	PART NO.	QTY. USED	PART DESCRIPTION
5	132-64	1	*Impeller (incl. Screw)
6	132-65	1	*Screw, Impeller
7	132-66	1	Cover, Pump End
8	132-62	3	*Screw, End Cover
9	132-68	1	*Gasket, End Cover
10		1	Body, Water Pump (Not Sold Separately)

* - Contained in Repair Kit. Redistribution or publication of this document by any means, is strictly prohibited.

WATER PUMP PARTS GROUP (132B110)

NOTE: This pump used on plants with heat exchanger only.



REF. NO.	PART NO.	QTY. USED	PART DESCRIPTION
	132B110	1	Pump, Water - Complete
	132K111	1	Repair Kit, Includes Parts Marked *
1		1	Body, Pump - Oberdorfer #C-6475
2		1	Cover, Pump - Oberdorfer #B-6483
3	132-114	1	*Impeller
4	132P101	1	*Seal
5	132P91	1	*Face, Wear
6	132P92	1	*Seat, Seal
7	132-112	1	*Gasket, Cover
8	132-113	6	*Screw, Cover
9		1	Screw, Cap - Oberdorfer #A-5014
10		1	Lockwasher, Oberdorfer #A-5016
11		1	Nut, Hex - Oberdorfer #A-5015
12		1	Plug, Drain - Oberdorfer #A-6062
13		1	Pedestal, Oberdorfer #C-6484
14	132-89	1	*Shaft and Bearing Assembly
15	132-132	1	Ring, Snap

* - Parts included in the 132K111 Repair Kit.

NOTE: Order parts with Onan part numbers from your Onan dealer. Order parts that do not have an Onan number from Oberdorfer Foundries, Pump Division, Syracuse, New York.

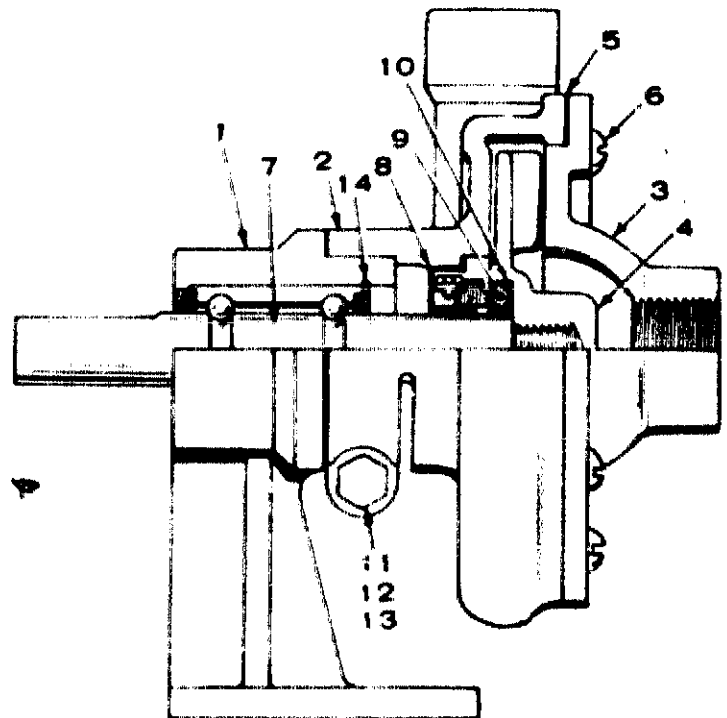
WATER PUMP PARTS GROUP (132C74)

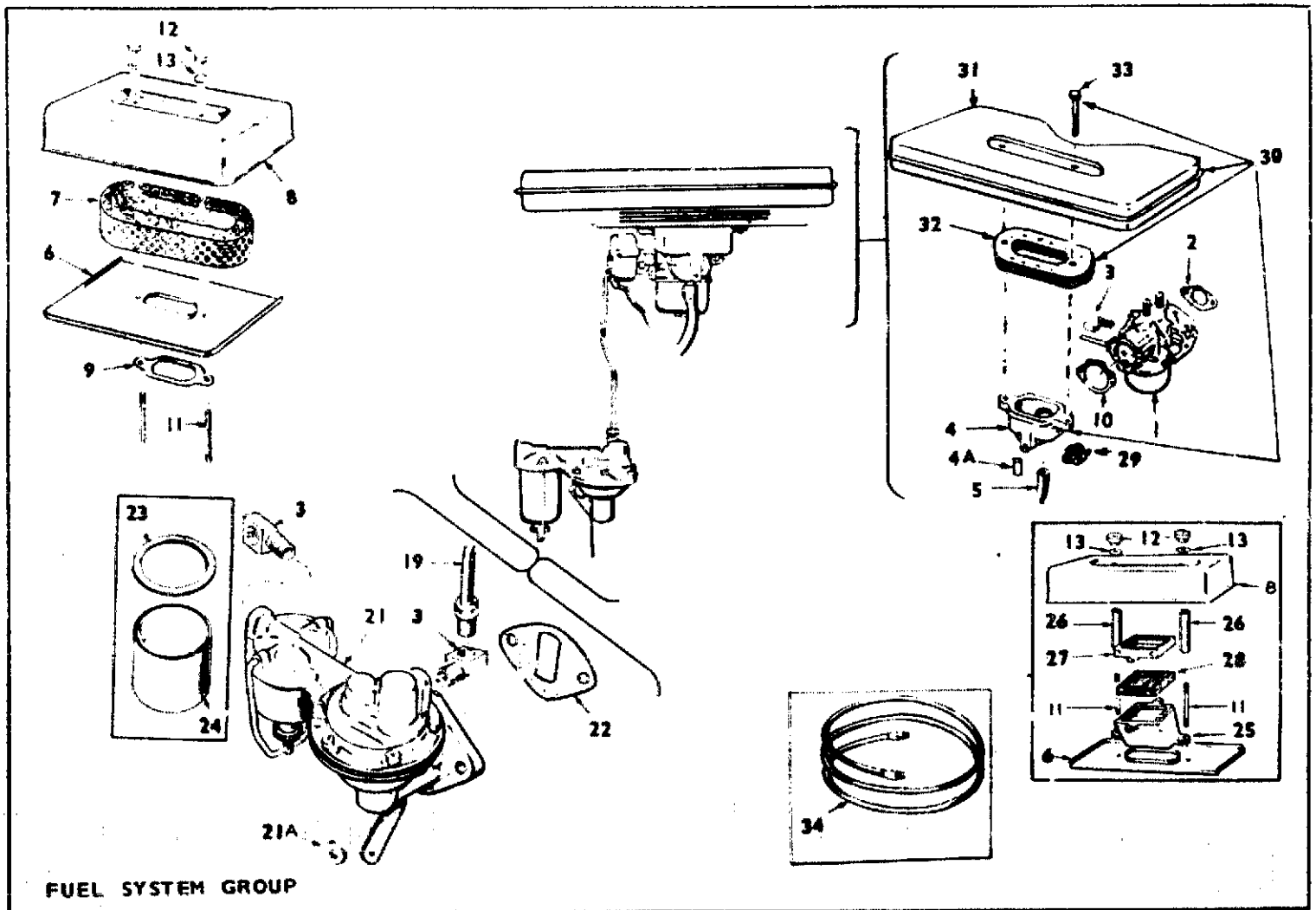
NOTE: This pump used on plants with keel cooling only.

REF. NO.	PART NO.	QTY. USED	PART DESCRIPTION
	132C74	1	Pump, Water - Complete
	132K93	1	Repair Kit, Includes Parts Marked *
1		1	Pedestal, Oberdorfer #5215
2		1	Body, Pump - Oberdorfer #5167
3		1	Cover, Pump - Oberdorfer #5168
4	132-87	1	Impeller
5	132-88	1	*Gasket, Cover
6	B10-99	6	*Screw (10-24 x 7-16"), Brass
7	132-89	1	*Shaft and Bearing Assy.
8	132P101	1	*Seal, Mechanical
9	132P91	1	*Ring, Seat Wear
10	132P92	1	*Cap, Wear Ring
11		1	Screw, Cap - Oberdorfer #5014
12		1	Nut, Oberdorfer #5015
13		1	Lockwasher, Oberdorfer #5016
14		1	Ring, Snap - Eaton #738

* - Included in the 132K93 Repair Kit.

NOTE: Order parts with Onan part numbers from your Onan dealer. Order parts that do not have an Onan number from Oberdorfer Foundries, Pump Division, Syracuse, New York.





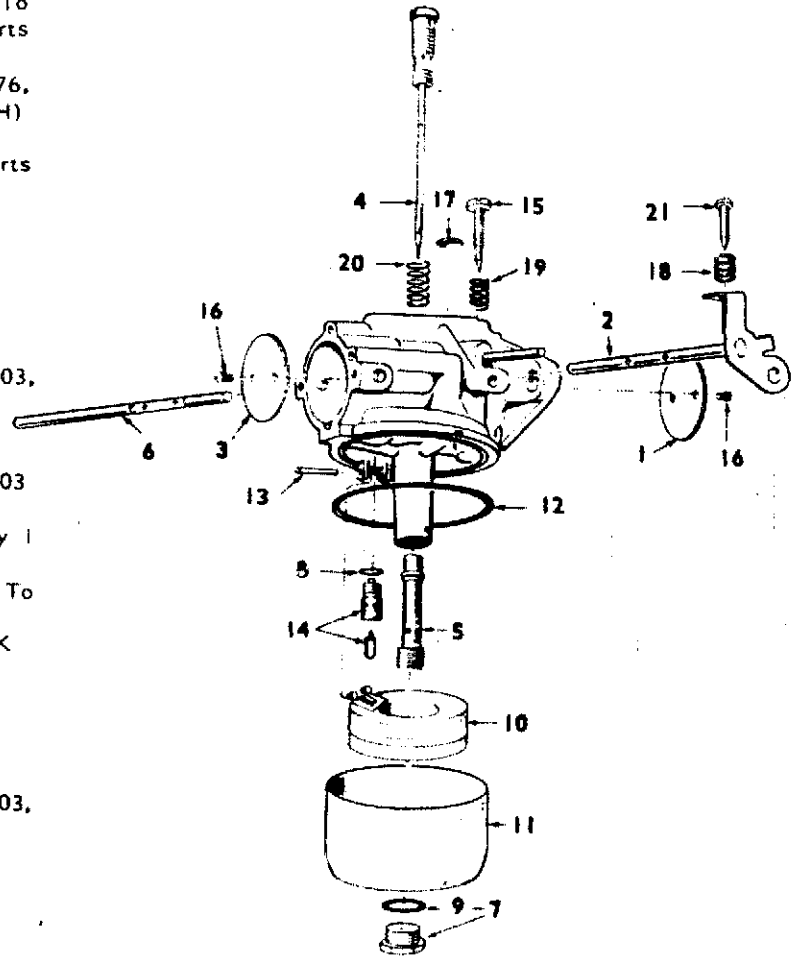
REF. NO.	PART NO.	QTY. USED	PART DESCRIPTION
1	**CARBURETOR		
	143C163	1	To Spec. H
	143C276	1	Spec. H Through J
	143C303	1	Begin Spec. K
2	141A281	1	Gasket, Carburetor
3	ELBOW		
	502-2	2	Fuel Pump In. & Carb. in. - To Spec. K
	502-2	1	Fuel Pump In., Begin Spec. K
	502-65	1	Fuel Pump Outlet
	502-65	1	Carb. Inlet, Begin Spec. K (45°)
4	140A845	1	Adapter, Air Clnr., Incl. Nylon Tube (Repl. 140C577 & 140A647)
4A	123A893	1	Tube, Nylon (Not used on some early models.)
5	HOSE, BREATHER		TO ADAPTER
	503A384	1	To Spec. H
	503A395	1	Begin Spec. H
6	140C595	1	Part, Air Clnr. or Flame Arrester - To Spec. K
7	140B606	1	Element, Air Clnr. & Silencer To Spec. K
8	140C594	1	Cover, Air Clnr. or Flame Arrester - To Spec. K
9	140A584	1	Gasket, Air Clnr. (Plts with Air Cleaner)
10	140A585	1	Gasket, Adapter to Carb.
11	520A621	2	Stud, Air Clnr. or Flame Arrester, To Spec. K
11	520A634	2	Stud, Flame Arrester - To Spec. K
12	871-70	2	Nut, Air Clnr. or Flame Arrester - To Spec. K

REF. NO.	PART NO.	QTY. USED	PART DESCRIPTION
13	140A602	2	Washer, Air Cleaner or Flame Arrester - To Spec. K
19	LINE, FUEL PUMP		TO CARB.
	159B819	1	To Spec. K
	159A739	1	Begin Spec. K
21	149C879	1	Pump, Fuel
21A	526-65	2	Washer, Brass - Fuel Pump Mtg.
22	149A792	1	Gasket, Fuel Pump
23	149P517	1	Gasket, Fuel Pump Bowl
24	149-662	1	Bowl, Fuel Pump (Metal)
25	145B311	1	Adapter, Carb. to Flame Arrester (Opt.) To Spec. K
26	145A312	2	Spacer, Flame Arrester Cover (Optional) To Spec. K
27	145A314	1	Retainer, Flame Arrester Element (Opt.) To Spec. K
28	145A313	1	Element, Flame Arrester (Opt.) To Spec. K
29	503-171	2	Clamp, Breather Hose
30	140K832	1	Arrester & Resonator Assy., Flame (Coast Guard Approved) Includes Adapter
31	140B830	1	Resonator, Begin Spec. K
32	140B802	1	Flame Arrester, Begin Spec. K
33	800P720	2	Screw, Cap, Resonator Mtg., Begin Spec. K
34	501A7	1	Line, Fuel (Flex.)
	149P1048	1	Repair Kit, Fuel Pump (Incl. Diaphragm Assy., Valves & Gaskets) - Repl - 149K875

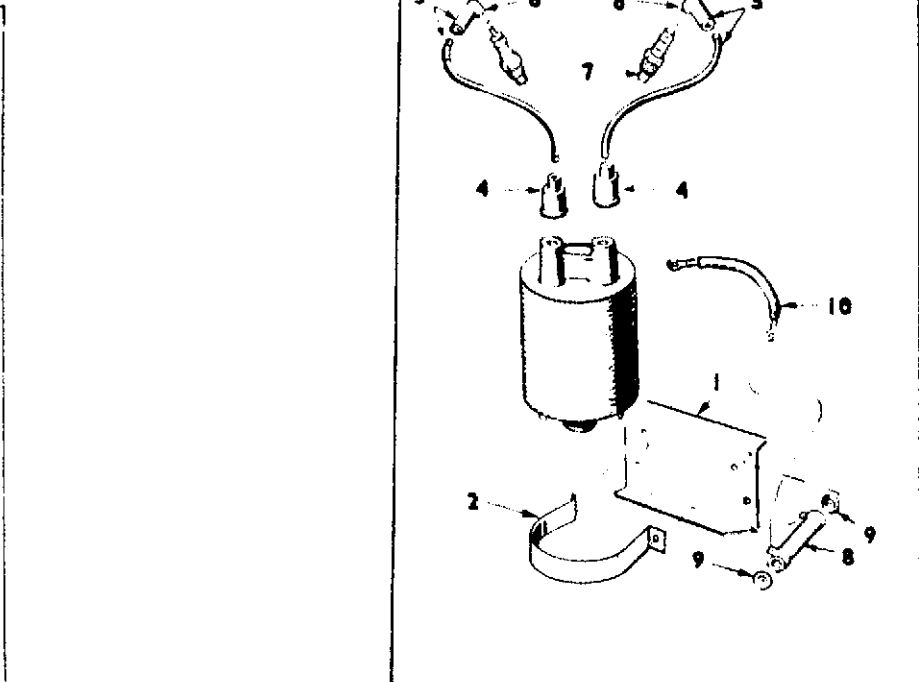
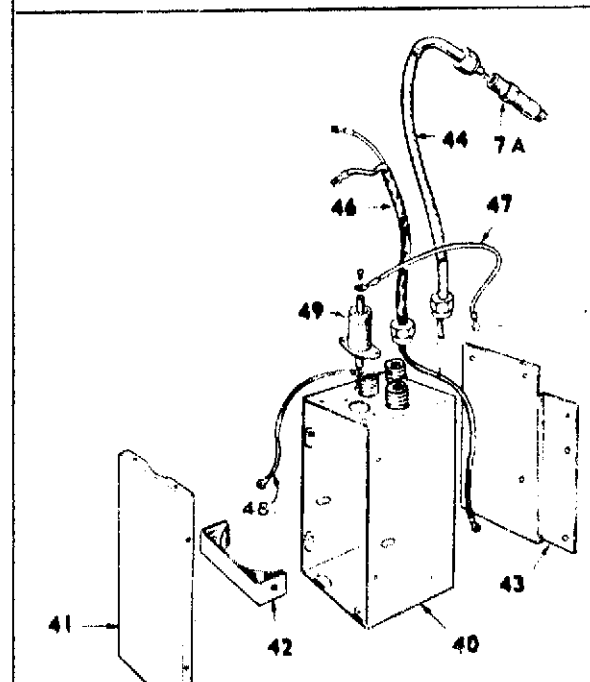
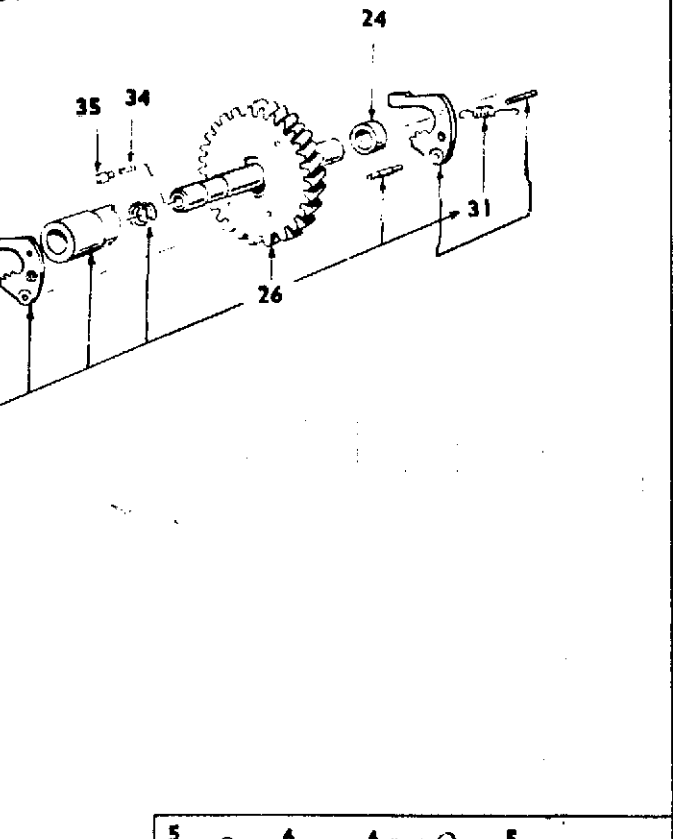
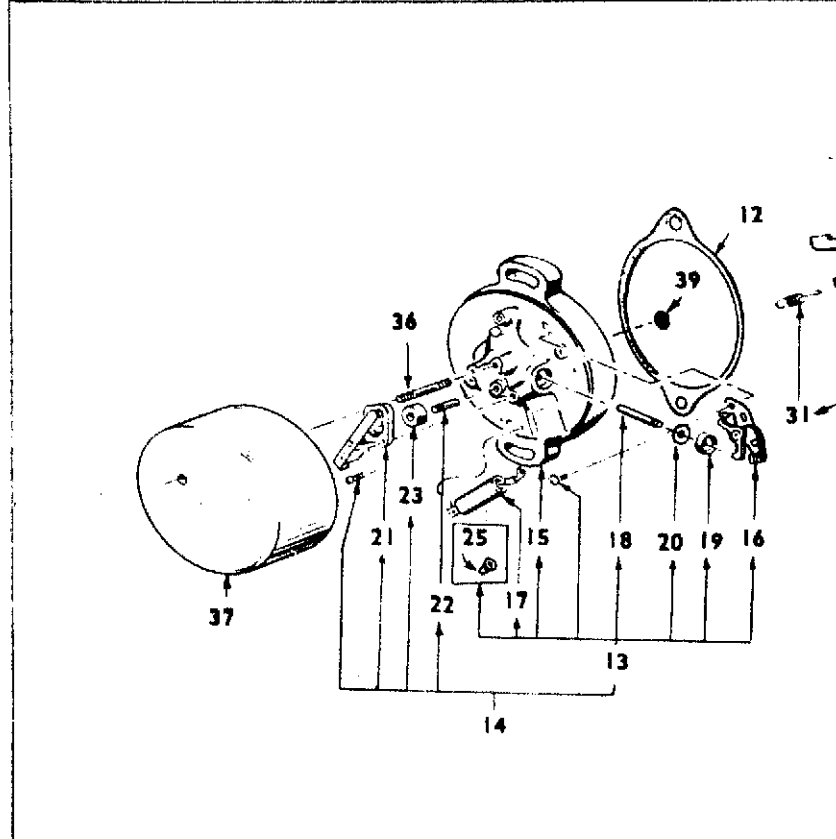
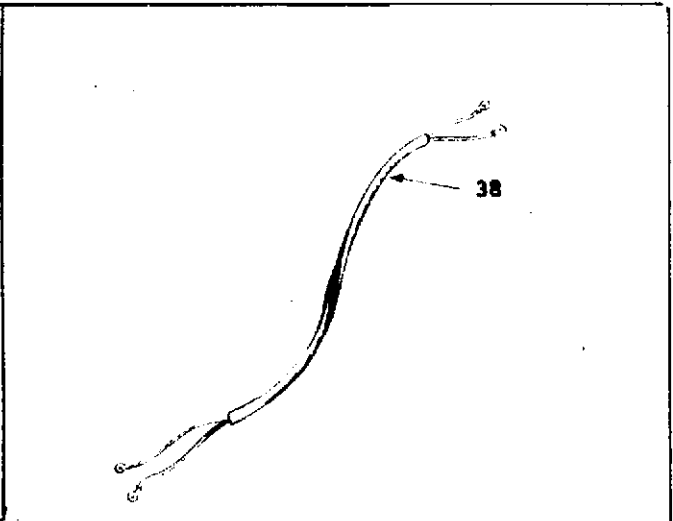
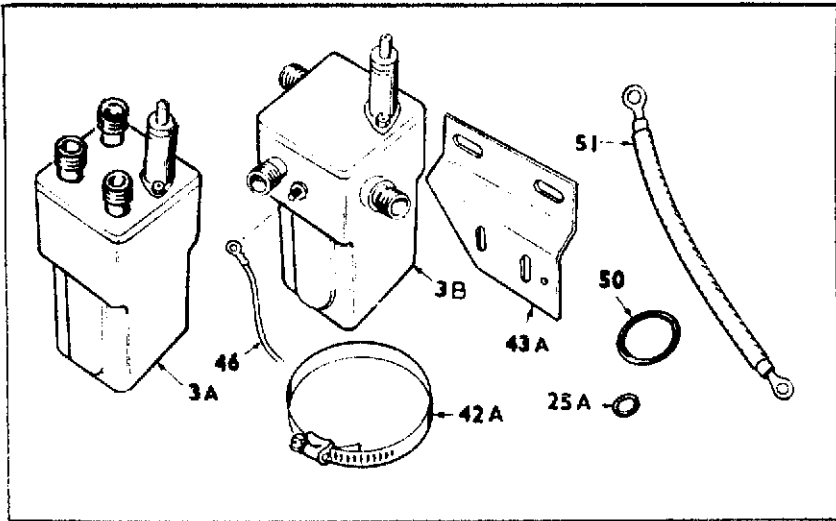
** - See separate group for components and service kits.

CARBURETOR PARTS GROUP

REF. NO.	PART NO.	QTY. USED	PART DESCRIPTION
CARBURETOR, GASOLINE			
	143C275	1	To Spec. H
	143C276	1	Spec. H Through J
	143C303	1	Begin Spec. K
	143K200	1	Repair Kit (For 143C163, To Spec. H) Includes Parts Marked **
	143K298	1	Repair Kit (For 143C276, 143C303 - Begin Spec H) Includes Parts Marked **
	143K201	1	**Gasket Kit - Includes Parts Marked *
	141A281	1	*Gasket, Carb. Flange
1	143-202	1	Valve, Throttle
2	143-203	1	Shaft & Lever, Throttle
3	143-204	1	Valve, Choke
4	NEEDLE, IDLE JET & HIGH SPEED ADJ., 143C205	1	For 143C163, To Spec. H
	143-295	1	For 143G276 & 143C303, Begin Spec. H
5	**NOZZLE		
	143-206	1	For 143C163, To Spec. H
	143-296	1	For 143C276 and 143C303 Begin Spec. H
6	143-221	1	Shaft & Lever, Choke, Key 1
6	SHAFT, CHOKE 143-207	1	For 143C163 & 143C276, To Spec. K
7	143A315	1	For 143C303, Begin Spec. K
8	143-208	1	Screw & Gasket, Bowl
8	143A15	1	*Gasket, Fuel Inlet Valve
9	143-209	1	*Gasket, Bowl Screw
10	FLOAT & LEVER		
	143-105	1	For 143C163, To Spec. H
	143-297	1	For 143C276 and 143C303, Begin Spec. H
11	143-210	1	Bowl
12	143-77	1	*Gasket, Bowl Ring
13	143-212	1	**Pin, Float Lever
14	143-341	1	**Valve, Fuel Inlet
15	SCREW, IDLE ADJ.		
	143-213	1	For 143C163, To Spec. H
	143-299	1	For 143B276 & 143C303, Begin Spec. H
16	812-14	4	**Screw, #3-48 x 3/16, Choke & Throttle Valve
17	143-110	1	Plug, Expansion
18	143-214	1	Spring, Throttle Adj. Screw
19	143-112	1	Spring, Idle Adj. Screw (2 for Gas-Gasoline)
20	143-114	1	Spring, High Spd. Adj. Needle
21	143-125	1	Screw, Throttle Lever Adj.



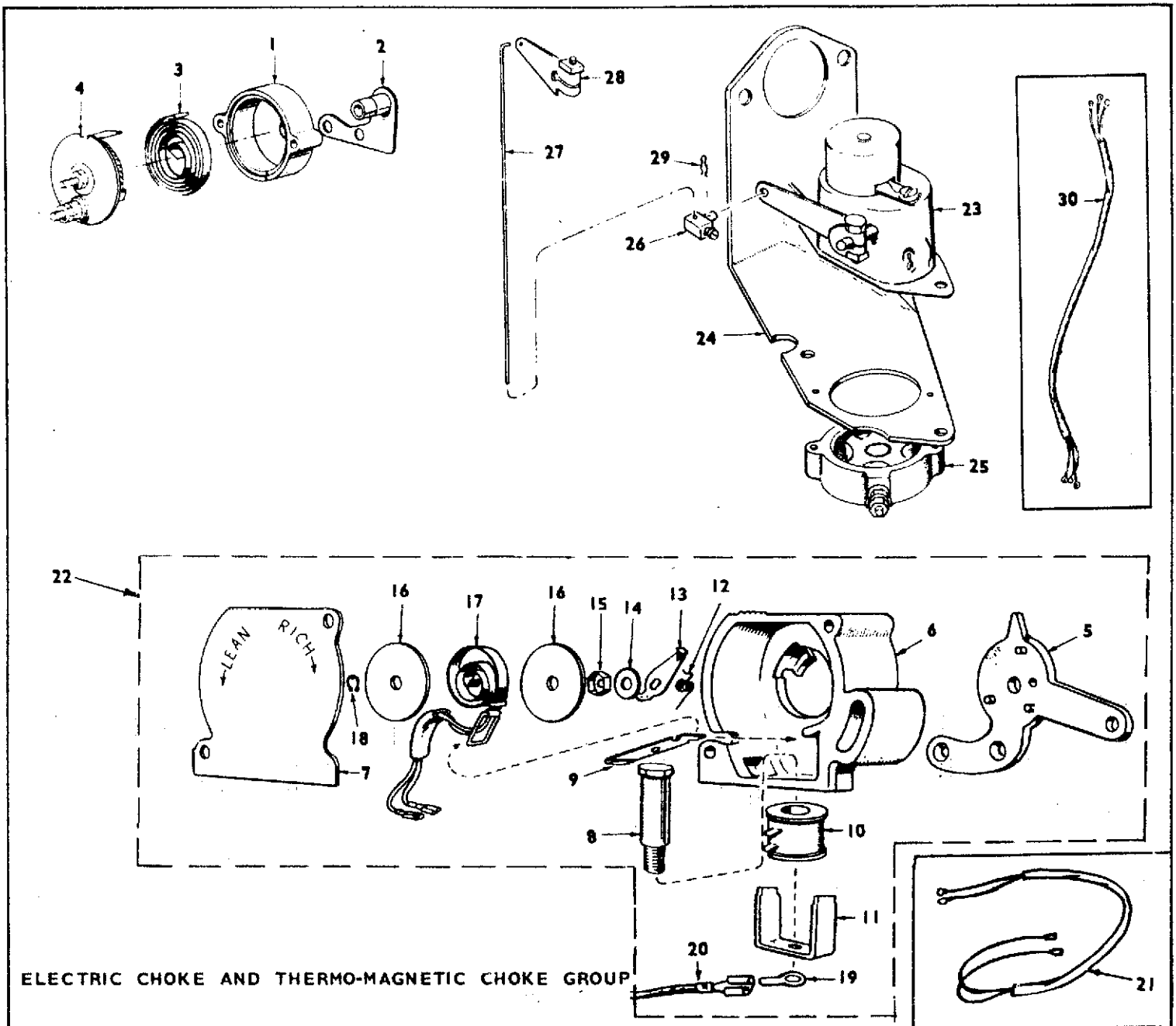
* - Contained in Gasket Kit.
 ** - Contained in Repair Kit.



IGNITION & TIMING CONTROL GROUP

REF. NO.	PART NO.	QTY. USED	PART DESCRIPTION
1	166B295	1	Bracket, Ign. Coil, To Spec. D
2	160B682	1	Clamp, Ign. Coil, To Spec. D
3	160C792	1	Coil, Ign. (Repl. 160C483) To Spec. J
3A	166A322	1	Coil, Ign. Spec. J Through L
3B	166B382	1	Coil, Ign. Begin Spec. P
4	160A558	2	Nipple, Rubber, Coil (Used Only on Coil with Term. on Top) To Spec. D
5	167A1386	2	Cable, Spk. Plug, Includes Suppressor, To Spec. D
6	314P32	2	Suppressor, Spark Plug, To Spec. D
	PLUG, SPARK		
7	167-4	2	To Spec. D
7A	167A80	2	Spec. D Through L
7A	167-199	2	Begin Spec. P
8	304A60	1	Resistor, Ign. Coil
9	304-14	2	Washer, Resistor Centering
10	336A30	1	Lead, Coil to Resistor, Repl. 336A709, To Spec. D
12	160A721	1	Gasket, Brkr. Plate Mtg.
	PLATE ASSY., IGNITION BRKR.		
13	160B762	1	Key 1, Plts. without Low Oil Pressure Cut-off Switch
14	160C714	1	Key 1, Plts. with Low Oil Pressure Cut-off Switch Incl. Start-Disconnect Parts
14	160C714	1	Key 2 (Incl. Start-Disconnect Parts)
15	160A891	1	Plate Only, Ign. Brkr. or Start-Disconnect Switch)
16	160A2	1	Point Set, Breaker
17	312A116	1	Condenser, Ign. Breaker
18	160A716	1	Plunger, Ign. Breaker
19	160A717	1	Cup, Plunger Diaphragm
20	160A718	1	Diaphragm, Ign. Plunger
21	SWITCH ASSY. START-DISCONNECT		
	309A134	1	Key 1, Plts. with Low Oil Pressure Cut-off Switch
	309A134	1	Key 2
22	PLUNGER, START-DISCONNECT SWITCH		
	309A140	1	Key 1, Plts. with Low Oil Pressure Cut-off Switch
	309A140	1	Key 2
23	DIAPHRAGM, START-DISCONNECT SWITCH PLUNGER		
	160A263	1	Key 1, Plts. with Low Oil Pressure Cut-off Switch
	160A263	1	Key 2
24	160A720	1	Spacer, Ign. Timing or Start-Disconnect Control

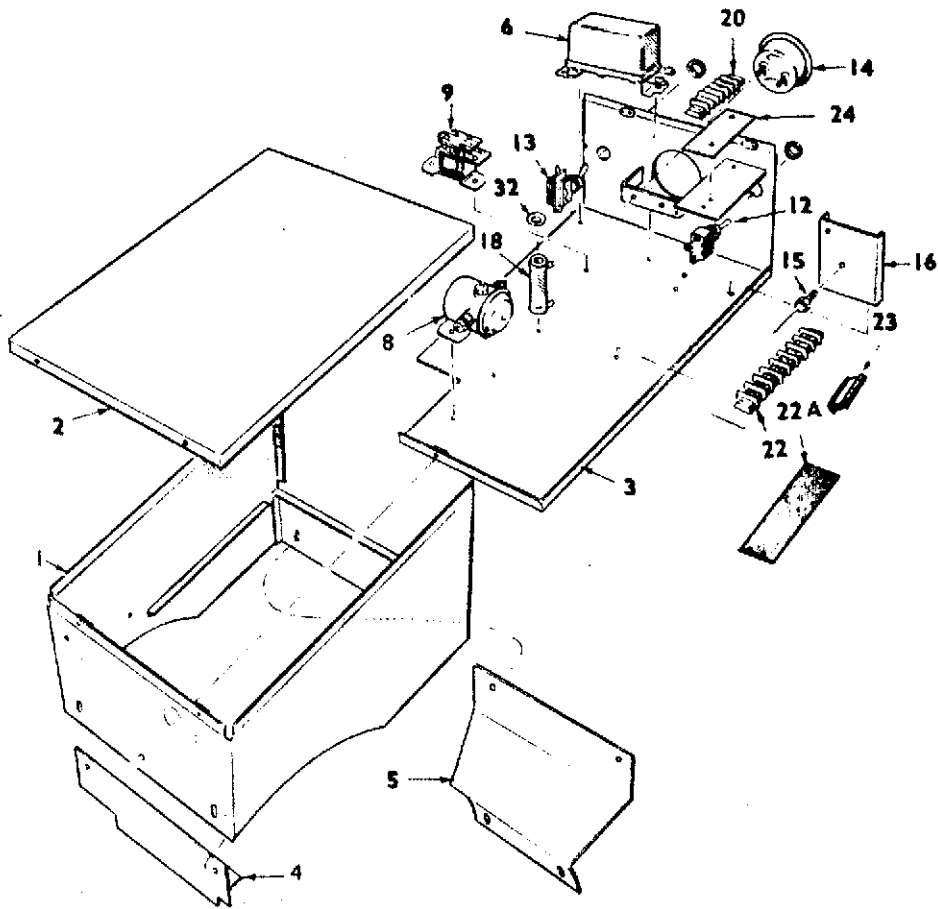
REF. NO.	PART NO.	QTY. USED	PART DESCRIPTION
25	516A72	1	Screw, Plunger Hole, Key 1, Plts. without Low Oil Press. Cut-off Switch
25A	509-65	1	Seal, Plunger Hole, Key 1, Plts. without Low Oil Press. Cut-off Switch
26	CONTROL ASSY., IGN. TIMING OR START-DISCONNECT. (Also Drives Water Pump) - INCLUDES WEIGHT SPRINGS		
	160B759	1	To Spec. L
	160B972	1	Begin Spec. L
31	160B711	2	Spring, Timing Weight, Incl. in Control Assy.
34	160A773	1	Spring, Thrust Plunger
35	160A774	1	Plunger, Thrust
36	520A347	1	Stud, Brkr. Plate Cover
37	160B833	1	Cover, Breaker Plate
38	HARNES ASSY., WIRING, BRKR. PLATE TO CONTROL		
	338B280	1	Key 1, Plts. with Low Oil Pressure Cut-off Switch
	338B258	1	Key 2
39	160A806	1	Disc, Thrust, Plunger Brg.
40	301C1975	1	Box, Ign. Coil, Spec. D Through L
41	301B1994	1	Cover, Ign. Coil Box, Spec. D Through L
42	301A1873	1	Clamp, Ign. Coil, Spec. D Through L
42A	503-465	1	Clamp, Ign. Coil - Begin Spec. P
43	160B818	1	Bracket, Ign. Coil Box, Spec. D Through L
43A	166B389	1	Bracket, Coil Mtg. - Begin Spec. P
44	CABLE, SPARK PLUG, SHIELDED		
	167A1413	2	Spec. D Through H
	167A1449	2	Spec J through L
	167A1473	2	Begin Spec. P
46	LEAD, BRKR. BOX TO COIL		
	336A1361	1	Spec. D Through H
	336A1506	1	Spec J Through L
	336A1506	1	Begin Spec. P
47	LEAD CONDENSER TO RESISTOR		
	336A709	1	Spec. D Through H
	336A368	1	Begin Spec. J
47	336A368	1	Lead, Coil to Condenser (Inside Coil Box) Spec. D Through H
49	312P83	1	Condenser, 1.75 Mfd. (Mts. on Coil Box), Begin Spec D
50	509-102	1	O-ring - Capacitor Mtg. Gskt., Begin Spec. J
51	337A71	1	Strap, Ground - Begin Spec. P



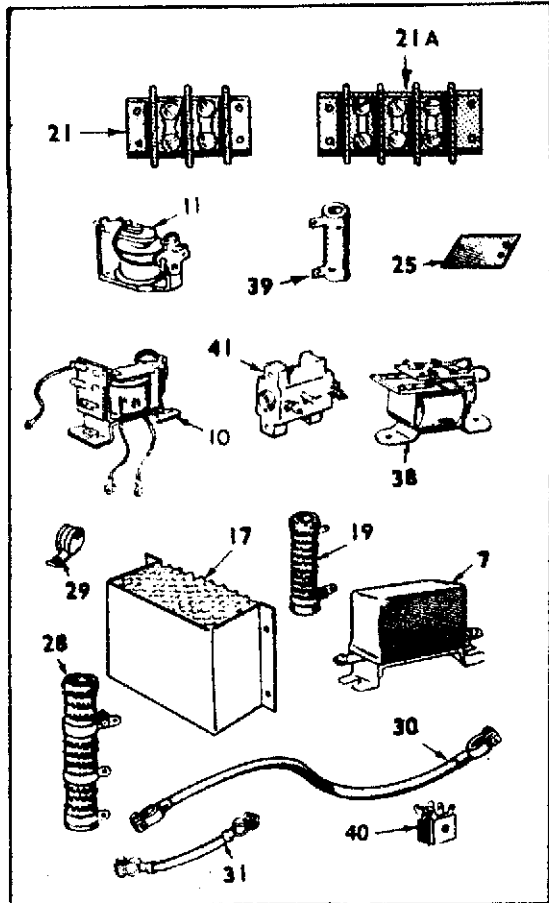
ELECTRIC CHOKE AND THERMO-MAGNETIC CHOKE GROUP

REF. NO.	PART NO.	QTY. USED	PART DESCRIPTION
1	153A315	1	Adapter, To Spec. J
2	153A324	1	Bracket, Mtg., To Spec J
3	153A321	1	Element, To Spec. J
4	COVER ASSEMBLY, CHOKE		
	153A325	1	12 V, Key 2, To Spec. J
	153A114	1	24 V, Key 1, To Spec. J
5	153C385	1	*Plate, Mtg., Begin Spec. K
6	153D386	1	*Body, Begin Spec. K
7	153C389	1	*Cover, Begin Spec. K
8	153B391	1	*Core, Solenoid, Begin Spec. K
9	153A395	1	*Armature, Begin Spec. K
10	307B801	1	*Coil, Solenoid Assy., Begin Spec. K
11	153B392	1	*Frame, Solenoid, Begin Spec. K
12	153B387	1	*Spring, Begin Spec. K
13	153B390	1	*Lever, Thermostat, Begin Spec. K
14	526-18	1	*Washer (17/64" I.D. x 5/8" O.D. x 1/16") Begin Spec. K
15	870-134	1	*Palnut (1/4-20) Begin Spec. K
16	153A399	2	*Insulator, Begin Spec. K
17	153B400	1	*Heater Assy., Begin Spec. K
18	518-29	1	*Ring, Retaining, Begin Spec. K

REF. NO.	PART NO.	QTY. USED	PART DESCRIPTION
19	332A876	1	*Terminal Ground, Begin Spec. K
20	LEAD		
	336A1550	1	Choke To Ground
	336A1549	1	*Choke Sol. to Carb.
21	338B329	1	Harness, Choke
22	153K376	1	Choke Conversion Kit (Onan 12 V Thermo Magnetic) Incl. Parts Marked * Plus Hdw. & Carb. Choke Shaft
23	153A367	1	Choke, Elec. (Sisson) Spec. J Only
24	153C365	1	Bracket, Spec. J Only
25	COVER ASSY., INCL. HEATING ELEMENT - SPEC J ONLY		
	153A49	1	Key 2 (12 V)
	153A51	1	Key 1 (24 V)
26	142-113	1	Swivel, Spec. J Only
27	153A226	1	Linkage, Spec. J Only
28	141-172	1	Arm, Spec. J Only
29	516-59	1	Lock, Hair Pin Type - Spec. J Only
30	338B325	1	Harness Assy., Spec. J Only

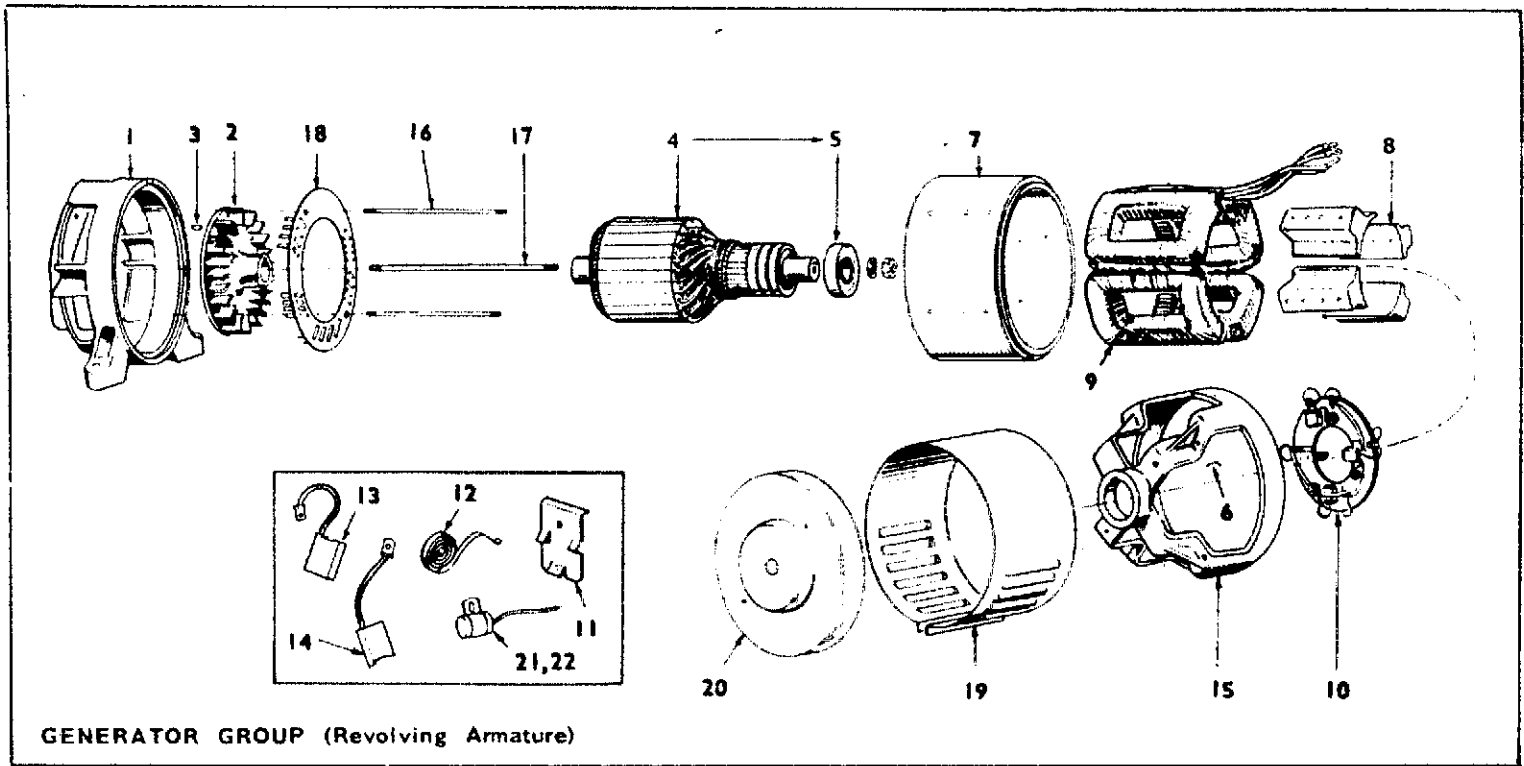


CONTROL GROUP



REF. NO.	PART NO.	QTY. USED	PART DESCRIPTION
1	BOX, CONTROL 301D2008	1	Key 1
	301C1962	1	Key 2
2	301B1963	1	Cover, Control
3	PANEL, CONTROL 301C2009	1	Key 1
	301C1961	1	Key 2
4	BRACKET, CONTROL BOX (R.H.) 301C2010	1	Key 1
	301B1965	1	Key 2
5	BRACKET, CONTROL BOX (L.H.) 301B2011	1	Key 1
	301B1964	1	Key 2
6	307B597	1	Relay, Ignition Start (Key 1, used only with Low Oil Pressure Cut-off Switch)
7	307B180	1	Relay, Reverse Current, Key 1
8	307B40	1	Solenoid, Start
9	307B623	1	Relay, Ignition, Key 2
10	306A28	1	Relay, Start, Disconnect, Key 1
11	307B253	1	Relay, Stop Key 1
12	308P154	1	Switch, Start-Stop
13	308P2	1	Switch, Selector (Man. or Elec. Start)
14	302A446	1	Ammeter, Chg. (5-0-5)
15	305A235	1	Rectifier, 10 Amp, 100 V Peak Key 2
16	305A254	1	Bracket, Rect., Key 2
17	301B2012	1	Cover, Res., Key 1
18	304A251	1	Resistor, Fixed (30-Ohm, 5 Watt) Key 1
18	304A32	1	Resistor, Fixed (15-Ohm, 10 Watt) Key 2
19	304A506	1	Resistor, Adj. (6-Ohm, 150 Watt) Key 1

REF. NO.	PART NO.	QTY. USED	PART DESCRIPTION
20	332A537	1	Block, Term., 4 Pl. (Remote)
	BLOCK, TERMINAL, LOAD		
21	332A609	1	2 Pl., Key 1 without Low Oil Pressure Switch
21A	332A611	1	3 Pl., Key 1 with Low Oil Press. Switch, Begin Spec. F
22	332A706	1	Block, Terminal, 8 Pl., Load, Key 2
22A	332A739	1	Strip, Block Mkr. (4,5,6,7,8,9) Key 2
23	332K750	1	Marker Strip & Holder, Batt. Polarity, Key 2, To Spec P
24	332A566	1	Strip, Block Mkr. (8+, 1,2,3)
25	332A612	1	Strip, Block Mkr. (A1, 4,5) Key 1, Begin Spec. F, with Low Oil Press. Cut-off Switch
28	304A500	1	Resistor, Tapped Adj. (Mts. in Gen. Air Out.) Key 2
29	332P52	1	Clip, Key 2
30	CABLE, BATT. (Select by Length)		
	416A21	2	20-1/2"
	416A77	2	28-1/4"
31	416A133	1	Cable, Batt. Jpr.
32	304A6	2	Washer, Res. Cent.
38	307B614	1	Relay, Latching, with Low Oil Press. Switch, To Spec. F
39	304A217	1	Resistor, Fixed (1-Ohm, 10 Watt) Begin Spec. K, (Also Spec. F Through J with Low Oil Pressure Cut-off Switch)
40	305P197	1	Rectifier, Full Wave, Eyelet Conn. with Low Oil Press. Switch, Key 2, To Spec. F
41	320A104	1	Relay, Emergency, Begin Spec. K, Also Spec. F through J with Low Oil Press. Switch



GENERATOR GROUP (Revolving Armature)

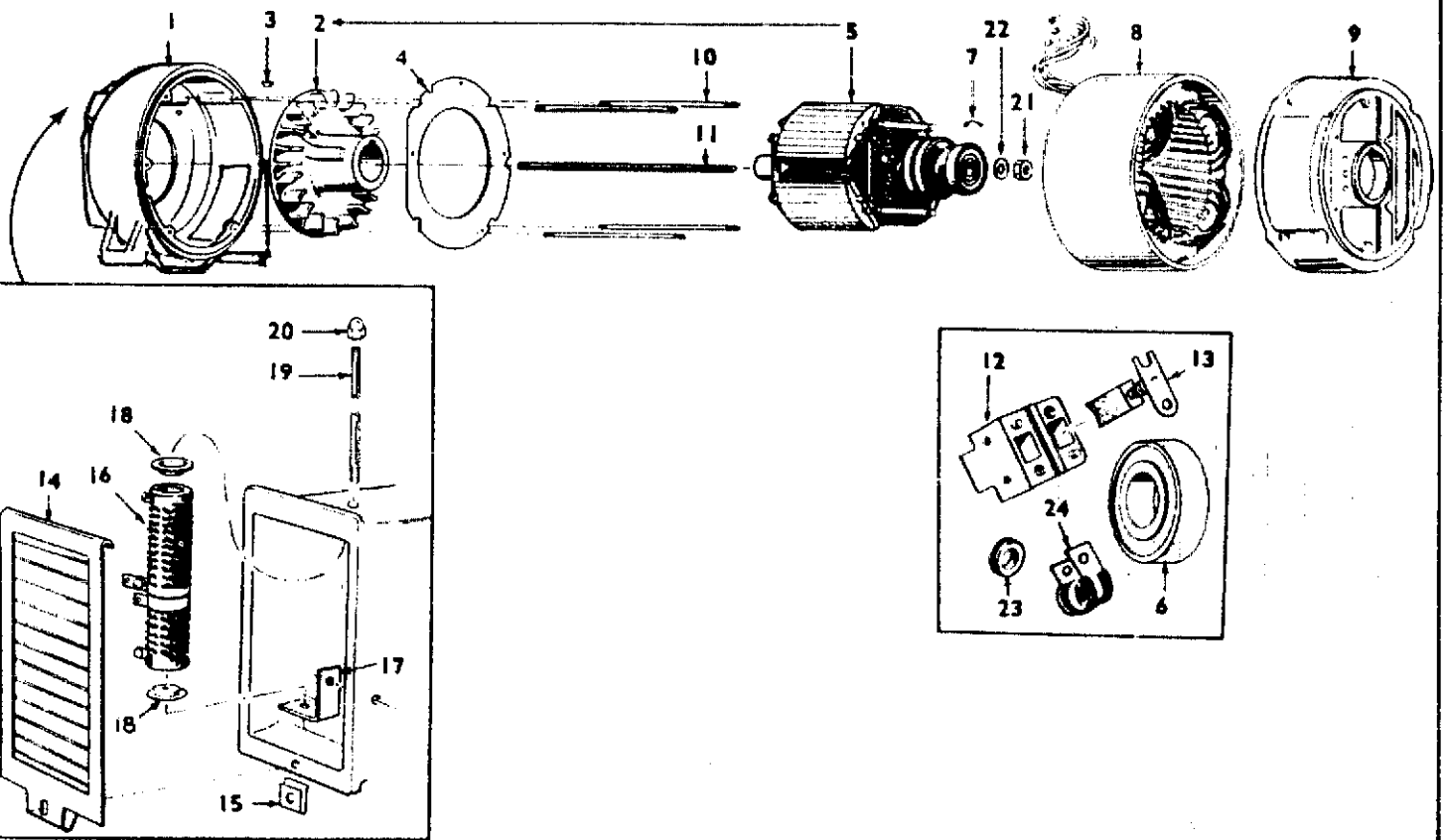
REF. NO.	PART NO.	QTY. USED	PART DESCRIPTION
1	ADAPTER, GENERATOR TO ENGINE 231E100	1	To Spec. J
	231E113	1	Begin Spec. J
2	205C65	1	Blower
3	515-6	1	Key, Blower to Crkshft.
4	.	1	Armature Assy., Incl. Brg. & Blower
5	510A47	1	Bearing, Ball, Armature
6	232A596	1	Clip, Bearing Stop
7	210D347	1	Frame Only, Less Coils & Pole Shoes
8	221A90	4	Shoe, Pole, Field
9	.	1	Coil Assy., Field (Set of 4 Coils)
10	RIG ASSY., BRUSH, INCL. BRUSHES & SPRGS. (Repl. Rigs used to Spec. K)		
	212C293	1	120 V, 1 Ph.
	212C294	1	240 V, 1 Ph.
	212C295	1	120/240 V, 1 Ph. (Non-Reconnectible)
	212C298	1	120/208 V, 3 Ph. & 120/240 V, 1 Ph. (Reconnectible)
	212C297	1	240 V, 3 Ph.
11,12	SPRING, BRUSH		
11	212B1105	3	120 V & 240 V, 1 Ph., Coll. Ring (AC) & Commutator (DC)
11	212B1105	4	120/240 V, 1 Ph. (Reconnectible) & 120/208 V, 3 Ph. Com. (DC)
11	.		120/240 V, 1 Ph. (Reconnectible) & 120/208 V, 3 Ph. Coll. Ring (AC)
	212B1123	4	To Spec. K
	212B1105	4	Begin Spec. K
11	212B1105	7	120/240-V, 1 Ph. (Non-Reconnectible) & 240 V, 3 Ph. Commutator (DC) & Coll. Ring (AC) - Begin Spec. K
12	212A1003	4	120/240 V, 1 Ph. (Non-Reconnectible) & 240 V, 3 Ph. Commutator (DC), To Spec. K
12	212A1004	3	120/240 V, 1 Ph. (Non-Reconnectible) & 240 V, 3 Ph. Coll. Ring (AC), To Spec. K

REF. NO.	PART NO.	QTY. USED	PART DESCRIPTION
13	BRUSH, COMMUTATOR (DC) 214A61	4	120 V & 240 V, 1 Ph. & 120/240 V, 1 Ph. (Reconnectible), 120/208 V, 3 Ph.
	214A30	4	To Spec. K
	214A61	4	Begin Spec. K
14	BRUSH, COLLECTOR RING (AC) 214A56	4	120 V, 1 Ph., 120/240 V, 1 Ph. (Reconnectible) & 120/208 V, 3 Ph.
	214A50	4	240 V, 1 Ph. 120/240 V, 1 Phase (Non-Reconnectible)
	214A62	3	To Spec. K
	214A56	3	Begin Spec. K
	214A32	3	240 V, 3 Ph. To Spec. K
	214A50	3	Begin Spec. K
15	BELL, END 211D97	1	120 V & 240 V, 1 Ph.
	211D98	1	120/240 V, 1 Ph. (Reconnectible & Non-Reconnectible), 120/208 V, 3 Ph. & 240 V, 3 Ph.
16	520A498	2	Stud, Gen. Through
17	STUD, ARMATURE THROUGH 520A407	1	120 V & 240 V, 1 Ph.
	520A416	1	120/240 V, 1 Ph. (Reconnectible & Non-Reconnectible), 120/208 V, 3 Ph. & 240 V, 3 Ph.
18	232C1256	1	Scroll, Generator Air
19	BAND, END BELL 234C2	1	120 V & 240 V, 1 Ph.
	234C5	1	120/240 V, 1 Ph. (Reconnectible & Non-Reconnectible), 120/208 V, 3 Ph. & 240 V, 3 Ph.
20	211C99	1	Cover, End Bell
21	CONDENSER, 1 Mfd., AC 312A58	1	120 V & 240 V, 1 Ph.
	312A58	2	120/240 V, 1 Phase (Non-Reconnectible)

* - Order by description giving complete Model, Spec., & Serial Number.

REF. NO.	PART NO.	QTY. USED	PART DESCRIPTION
	312A58	4	120/240 V, 1 Ph. (Reconnectible)
	312A58	3	120/208 V, 3 Ph. & 240 V, 3 Ph.

REF. NO.	PART NO.	QTY. USED	PART DESCRIPTION
22	CONDENSER, .5 Mfd., DC		
	312A17	1	120 V & 240 V, 1 Ph. & 120/240 V, 1 Ph. (Reconnectible & Non-Reconnectible)
	312A27	1	120/208 V & 240 V, 3 Ph.

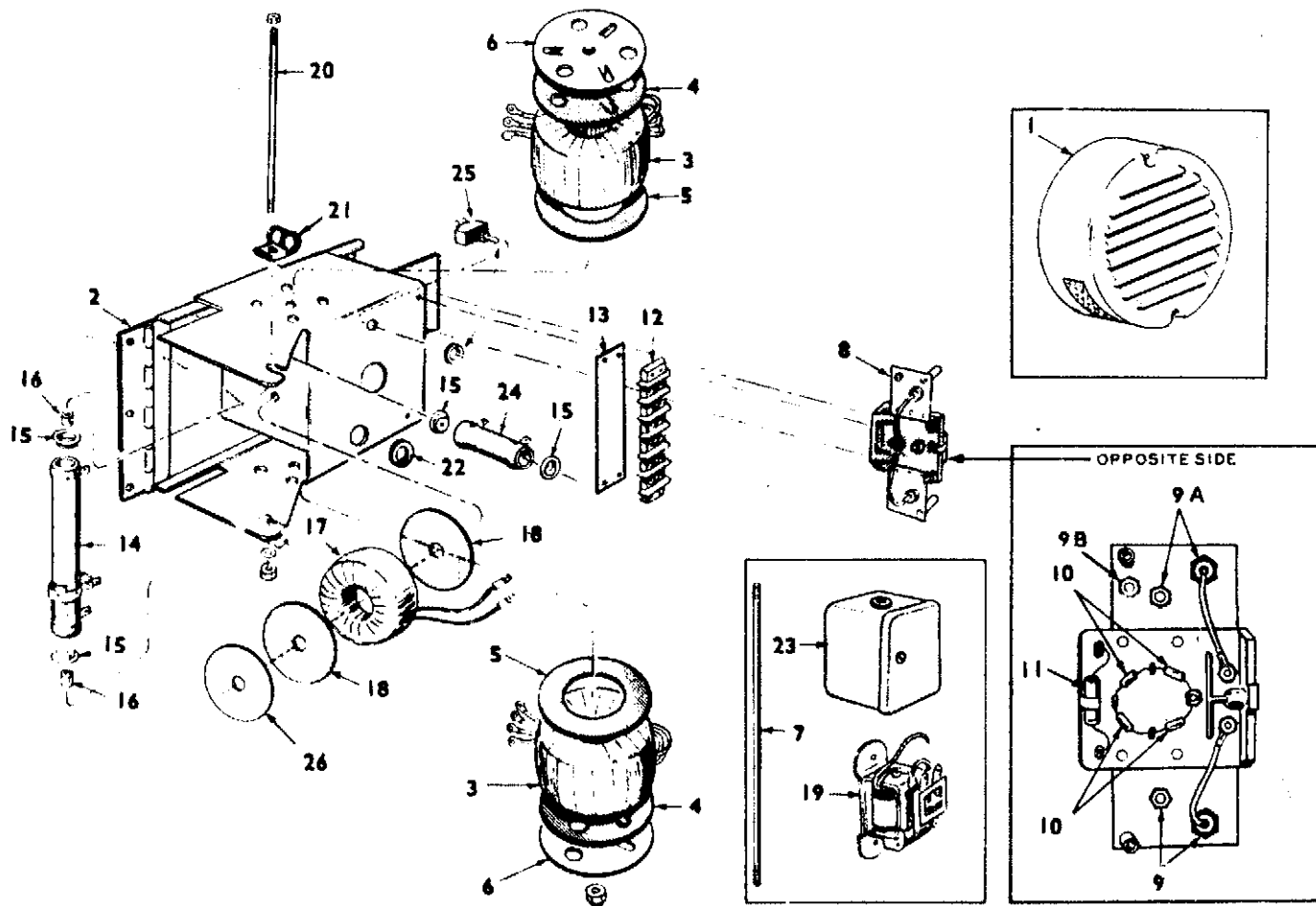


GENERATOR GROUP - ALTERNATOR PORTION (Revolving Field Type)

REF. NO.	PART NO.	QTY. USED	PART DESCRIPTION
1	ADAPTER, GENERATOR-TO-ENGINE		
	231E99	1	To Spec. J
	231E112	1	Begin Spec. J (Repl. 231E111)
2	205C64	1	Blower
3	515-6	1	Key, Blower to Crankshaft
4	234B162	1	Scr'ls, Gen. Air
5	"	1	Rotor Assy., Wound, Incl. Bearing & Blower
6	510A47	1	Bearing, Ball
7	232A596	1	Clip, Bearing Stop
8	"	1	Stator Assy., Wound
9	BELL, END, ALTERNATOR TO EXCITER		
	211E138	1	To Spec. G
	211E146	1	Begin Spec. G
10	STUD, GENERATOR THROUGH		
	520A601	4	To Spec. G
	520A636	4	Begin Spec. G
11	520A612	1	Stud, Rotor Through
12	212A1064	2	Block, Guide, Coll. Ring Brush

REF. NO.	PART NO.	QTY. USED	PART DESCRIPTION
13	214A59	4	Brush, Coll. Ring (AC)
14	234B199	1	Cover, Air Outlet
15	870-177	1	Clip, Fastening, Air Outlet Cover
16	304A500	1	Resistor, Tapped Adj. (Also Listed in Control Group)
17	232A1565	1	Washer, Resistor Mtg.
18	304A6	2	Washer, Resistor Centering
19	520A620	1	Stud, Resistor Mtg.
20	B66-1	1	Nut, Acorn, Resistor Mtg. Stud
21	870P203	1	Nut, Rotor Through Stud
22	232-200	1	Washer, Rotor Through Stud
23	GROMMET, RUBBER		
	508P95	1	Through Baffle
	508B112	1	Lead Out
24	332-50	1	Clip, Brush Wire

* - Order by description, giving complete Model, Spec. and Serial Number. Redistribution or publication of this document by any means, is strictly prohibited.



Note: All 6MJB plants used 06SX5IN1B prior to Spec. L and 06SX5IN3B begin Spec. L (except 6MJB-55DR used 06SX5IN1B). 705MJB plants used 02SXIN1A prior to Spec. C, 04SXIN1A Spec. C through F, 04SXIN1B Spec. G through K and 04SXIN3B begin Spec. L (except 705MJB-5DR used 04SXIN1B).

Check your plant nameplate for correct magnecciter number. Select the correct Part Number column that applies to your plant.

REF. NO.	QTY. USED	PART DESCRIPTION	PART NUMBER					
			02SXIN1A	04SXIN1A	04SXIN1B	04SXIN3B	06SX5IN1B	06SX5IN3B
	1	Exciter Complete (Less Cover)	209-1	209-2	209-3	209-5	209-12	209-13
1	1	Cover, Exciter	234C154	234C154	234B185	234B185	234D185	234D185
2	1	Panel Only, Exciter	234B153	234B153	234B188	234B188	234B188	234B188
3	2	Reactor, Gate	315A84	315A99	315A99	315A99	315B104	315B104
4	2	Gasket, Gate Reactor Mounting, Outer	232A1553	232A1553	232A1553	232A1553	232A1553	232A1553
5	2	Gasket, Gate Reactor Mounting, Inner	232A1551	232A1551	232A1551	232A1551	232A1551	232A1551
6	2	Retainer, Gate Reactor	232A1552	232A1552	232A1552	232A1552	232A1552	232A1552
7	1	Stud, Gate Reactor Mounting	520A211	520A211				
8	1	Rectifier Assy., Resistor and Complete	305C242	305C259	305C259	305C387	305C264	305C388
9	2	Rectifier Only, Power Field, Negative	305P238	305P238	305P238	305P238	305P238	305P238
9A	2	Rectifier Only, Power Field, Positive	305P239	305P239	305P239	305P239	305P239	305P239
9B	1	Rectifier, Field Flash				305P239		305P239
10	4	Rectifier, Voltage Control	305P240	305P240	305P240	305P240	305P240	305P240
11	1	Resistor, Included in Rectifier Assy. (150-Ohm, 5 Watt)					304A512	304A512
11	1	Resistor, Incl. in Rectifier Assy. (500-Ohm, 5 Watt)	304P476	304P476	304P476	304P476		
12	1	Block, Terminal	332A699	332A699	332A745	332A745	332A745	332A745
13	1	Strip, Block Marker	332A700	332A738	332A746	332A925	332A746	332A925
14	1	Resistor, Fixed (200-Ohm, 50 Watt)	304A489					
14	1	Resistor, Tapped, 500-Ohm (425 Fixed, 75 Adj.)		304A511				
14	1	Resistor, Tapped, 500-Ohm (425 Fixed, 75 Adj.)			304A527	304A527	304A527	304A527
15	4	Washer, Resistor Centering (Two Only Used for 02SXIN1A)	304A15	304A15	304A15	304A15	304A15	304A15
16	2	Spacer, Resistor Mounting	232A1550	232A1550	232A1474	232A1474	232A1474	232A1474
17	1	Reactor, Voltage Control	315A85	315A100	315A100	315A100	315A105	315A105
18	2	Gasket, Voltage Control Reactor	232A1548	232A1548	232A1548	232A1548	232A1548	232A1548
19	1	Relay, Field Build-up	307A584					
20	1	Stud (or Screw), Tapped Resistor Mounting	812-116	812-116	520A641	520A641	520A641	520A641
21	1	Clip, Tinnerman	332-50	332-50	332-51	332-51	332-51	332-51
22	1	Grommet, Rubber, For 7/8" Hole	508P8	508P8	508P8	508P8	503P8	508P8
23	1	Cover, Relay	307A643					
24	1	Resistor, Fixed (250-Ohm, 25 Watt)		304A510	304A510	304A510	304A510	304A510
25	1	Switch, Residual Reset			308A175		308A175	
26	1	Washer, Retainer, Voltage Control Reactor	526-173	526-173	526-173	526-173	526-173	526-173

SERVICE KITS & MISCELLANEOUS

NOTE: For other kits, refer to the group for the part in question.

98C1807		Decal Kit
168K79		*Gasket Kit, Planr
522K207		Overhaul Kit, Engine, Prior to Spec. D
522K208		Overhaul Kit, Engine, Spec. D through K
522K223		Overhaul Kit, Engine, Spec. L Only

522K226		Overhaul Kit, Engine, Spec. P Only
522K238		Overhaul Kit, Engine, Begin Spec R
403K707		Bracket, Kit, Lifting
308B204		Switch, Transfer, Optional
525P216		Paint, Touch-up (Pressurized Can), 16 oz. Marine White Enamel

* - Gasket Kit does not include the water pump seal(s)