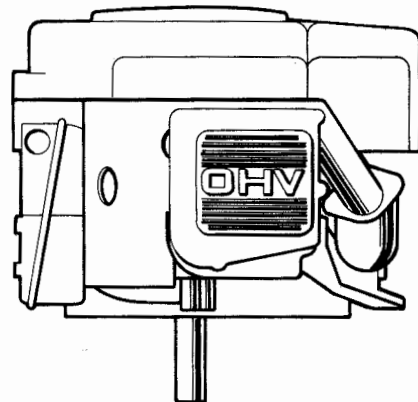


**Onan**

# **PARTS CATALOG**

**E125V, E140V  
Elite  
Engine**



**970-0200  
8-92 (Spec A - C)  
Replaces 3-91 (Spec A and B)  
Printed in U.S.A.**

# Onan

Model and Specification Number

Serial Number

**IMPORTANT!**

Give above numbers when ordering parts. Always follow the safety precautions in the Operations Manual and the recommendations for lubricating oil, oil change intervals, and required maintenance.

Check oil level daily / Do not overfill. Check / Clean air filter weekly.

Onan Corporation  
1400 73rd Avenue N.E.  
Minneapolis, Mn. 55432

MADE IN U.S.A. 99-2352

For handy reference, insert your nameplate information in the space above.

## Introduction

This parts manual applies to the Elite vertical shaft engine as listed in the Engine Data Table. Parts are arranged in groups of items as determined by Sales Option Code Numbers. These Sales Option Code Numbers (11 through 45) are illustrated in numerical sequence in this manual and each illustrated part is identified by a reference number corresponding to the same reference number in the parts list. Throughout this manual, left and right sides are determined by facing the valve cover (front) of the engine.

Using the Specification Number from your engine nameplate, consult the Sales Option Code Table and select parts that apply to your engine using the Sales Option Code Numbers listed below your Specification Number. These Sales Codes identify factory installed parts unique to your engine.

## Engine Data Table

<u>Model and Specification Number</u>	<u>Rating</u>
E125V-N/*	12.5 Horsepower
E140V-N/*	14 Horsepower

\* - The diagonal line (/) in the model and specification number separates engine characteristics from the specification number and letter. The specification number denotes customer requested options or deviations from a standard model. The specification letter advances (A to B, B to C, etc.) with major manufacturing changes.

### Sales Option Code Table

SPEC. NO.	10879	10880	10883	10884	10885	10886	10887	10963	10964	10993	11058	11059
SALES OPTION CODE NUMBERS	15BB	15BB	15BB	15BE	15BE	15BE	15BE	15BE	15BE	15BB	15BE	15BE
	15BE	15BE	15BE	15CP	15CP	15CP	15CP	15BM	15CP	15BE	15CH	15CH
	17DD	17DD	17DD	17DD	17DD	17DD	17DD	17CD	17CD	17CD	17CD	17CD
	19AW	19AW	19AW	19AW	19AW	19AW	19AW	17CF	17DD	17CF	17DD	17CF
	21AM	21AM	21AM	21AM	21AM	21AM	21AM	19AW	19AW	19AW	19CH	19CH
	21BP	21BP	21BP	21BP	21BP	21BP	21BP	21AM	23EG	21AM	21AM	21AM
	31BL	31BK	33AY	31BB	31BB	31BK	31BK	21BP	31BB	21BP	21BP	21BP
	33AY	33AT		33AT	33AY	33AT	33AY	23DN	33AT	23EG	31BL	31BK
								31BB		31BB	33AY	33AZ
								33AT		33AY		35BM
								35BM				

SPEC. NO.	11068	11078	11079	11080	11102	11114	11118	11131	11139	11148	11152	11176
SALES OPTION CODE NUMBERS	15BB	15BB	15BB	15BB	15BE	15BB	15BB	15BB	15BE	15BE	15BE	15BB
	15BE	15BE	15BE	15BE	15BM	17CD	15BE	15BE	15BC	15CH	15CP	15BE
	17DD	17CD	17CD	17CD	17CD	17CF	17CD	17CD	17DD	17CD	17DP	17DD
	19AW	17CF	17DD	17DD	17DD	19AW	17DD	17CF	19AW	17CF	17DS	17DP
	23GE	19AW	19AW	19AW	19AW	21AM	19AW	19CH	21AM	19CH	19AW	19AS
	31BD	21AM	23DT	23EG	21AM	21BP	23EG	21AM	21BP	21AM	23EG	21AM
	33AY	21BP	23EG	31BB	21BP	23EG	31BB	21BU	23DN	21BP	31BB	21BU
		23EG	31BN	33AT	23DN	31BB	33AZ	23EG	23EG	31BK	33AT	23EG
		31BB	33AY	35BM	23EG	33AT	35BM	31BD	33AT	33AY		31BN
		33AY	35BM	35CE	31BB			33AY	31BB	35BM		33AZ
			35CE		33AT				35BM			35BM
					35BM							

SPEC. NO.	11195	11207
SALES OPTION CODE NUMBERS	15BB	15CS
	15BE	17DD
	17CF	17DP
	17DP	19AS
	19CH	23EG
	21AM	31BB
	21BU	33AT
	23EG	35CE
	31BN	
	33AZ	
	35BM	



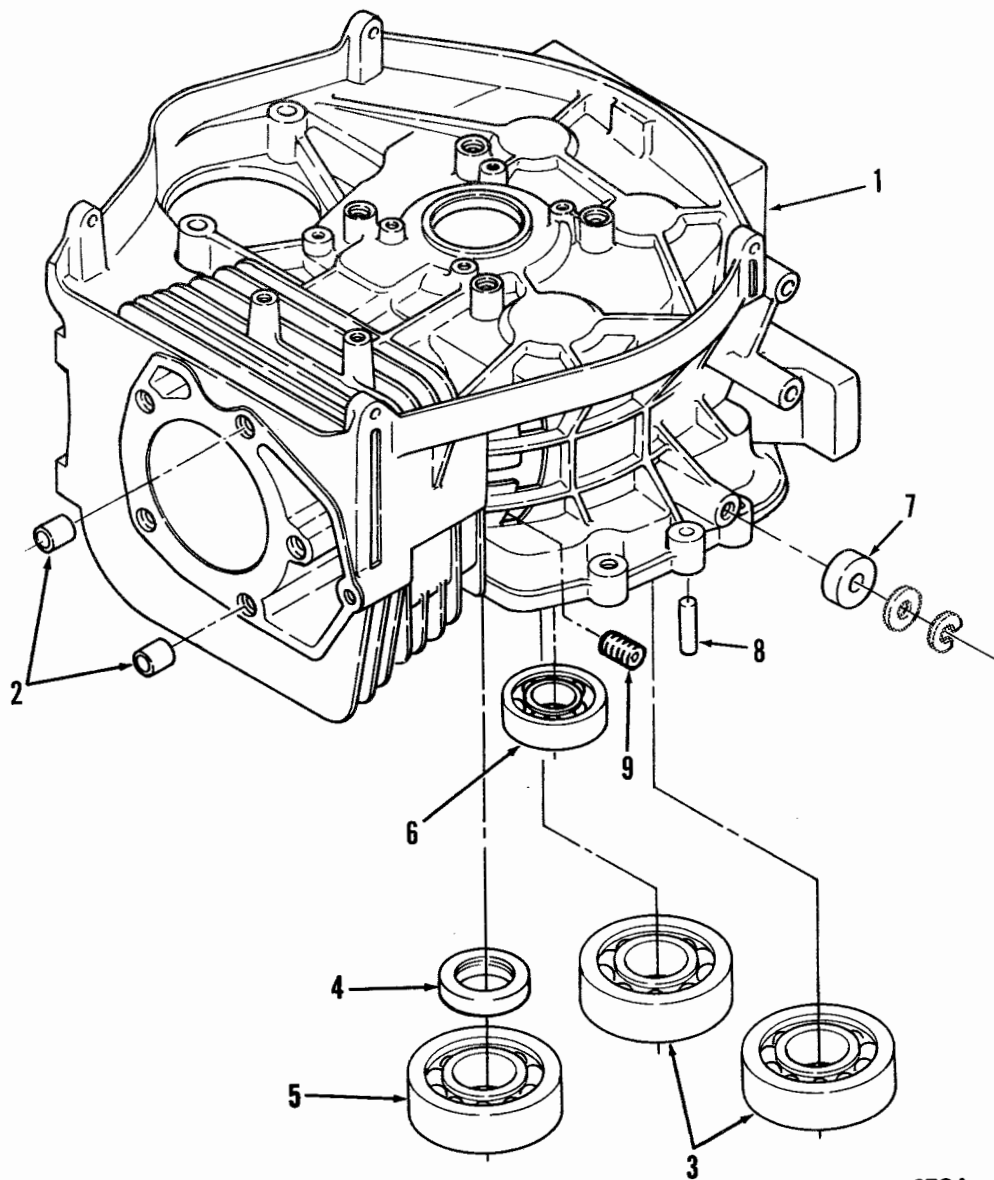
# Index

- Adapter, Air Cleaner, 11
- Adapter, Oil Filter, 19
- Arm Assembly, Rocker, 3
- Armature, Starter, 37
  
- Ball, Steel, 19
- Base Assembly, Oil (Spec B,C), 19
- Base, Oil (Spec A), 17
- Bearing, Balancer Shaft Ball (Spec A), 17
- Bearing, Balancer Shaft Ball (Spec B,C), 19
- Bearing, Crankshaft Ball (Spec A), 17
- Bearing, Crankshaft Ball (Spec B,C), 19
- Block, Cylinder, 1
- Bracket, Oil Fill Support, 21
- Breather, 3
  
- Camgear Assembly, 14
- Camshaft Assembly, 14
- Carburetor (Spec A & B), 12
- Carburetor (Spec C), 13
- Cleaner, Air (Spec A & B), 11
- Cleaner, Air (Spec C), 13
- Clutch, Starter Sub, 37
- Coil, Ignition, 31
- Cover Assembly, Air Cleaner, 11
- Cover, Air Cleaner, 11
- Cover, Air Cleaner (Spec C), 13
- Cover, Element, 13
- Cover, Element (Spec A,B), 11
- Cover, Element (Spec C), 13
- Cover, Oil Pump (Spec A), 17
- Cover, Oil Pump (Spec B,C), 19
- Cover, Screen, 19
- Cover, Starter, 37
- Cover, Starter Hole, 34
- Cover, Valve, 3
- Crankshaft (Spec A), 39
- Crankshaft (Spec B,C), 40
  
- Deflector, Air (Air Cleaner), 11
- Deflector, Air (Cylinder Housing), 28
  
- Elbow, Breather, 3
- Elbow, Exhaust, 23
- Element, Air Cleaner, 11
  
- Filter, Fuel (Spec A), 12
- Filter, Fuel (Spec C), 8
- Filter, Oil, 19
- Flange, Oil Drain, 17
- Frame, Commutator, 37
- Frame, Starter, 37
  
- Gasket Kits, 41
- Gear, Balancer (Spec A), 39
- Gear, Balancer (Spec B,C), 40
- Gear, Crankshaft (Spec A), 39
- Gear, Crankshaft (Spec B,C), 40
- Gear, Governor (Spec A), 17
- Gear, Governor (Spec B,C), 19
- Guard, Stationary, 31
- Guide, Valve, 3
  
- Handle Assembly, Starter – Recoil, 35
- Harness, Alternator Wiring (Spec A), 32
- Harness, B+ Wiring (Spec A & B), 38
- Harness, Wiring (Spec C), 38
- Head Assembly, Cylinder, 3
- Housing, Air Cylinder, 28
- Housing, Blower, 29
- Housing, Starter, 37
  
- Indicator, Oil Level (Spec A), 20
- Indicator, Oil Level (Spec B,C–Long Tube), 22
- Indicator, Oil Level (Spec B,C–Short Tube), 21
- Insulator, Carburetor (Spec C), 13
- Insulator, Carburetor, (Spec A,B), 12
- Insulator, Starter, 37
  
- Key, Balancer Gear, 39
- Key, Blower Wheel, 30
- Key, Camgear, 14
- Key, Crankshaft Gear (Spec A), 39
- Key, Crankshaft Gear (Spec B,C), 40
- Kit, Air Cleaner, 11
- Kit, Carburetor Float, 13
- Kit, Carburetor Rebuild, 13
- Kit, Carburetor Repair, 12
- Kit, Connecting Rod, 4
- Kit, Engine Gasket, 41
- Kit, Exhaust Elbow, 23
- Kit, Field Conversion (To Electric Starter), 41
- Kit, Float, 12
- Kit, Piston, 4
- Knob, Air Cleaner (Spec C), 13
- Knob, Air Cleaner Cover, 11
- Knob, Inner Cover (Spec A,B), 11
- Knob, Inner Cover (Spec C), 13
  
- Labels, 41
- Lever, Governor (Spec A), 5
- Lever, Governor (Spec B), 7
- Lever, Governor (Spec C), 7
- Lever, Starter Drive, 37
- Link, Choke (Spec A), 5
- Link, Throttle (Spec A), 5
- Link, Throttle (Spec B,C), 7
- Link, Throttle (Spec B), 7
- Link, Throttle (Spec C), 7
- Lock, Valve, 3
  
- Muffler, Narrow Profile, Front Exhaust, 26
- Muffler, Side Mount – 45 degree Angle, 24
- Muffler, Wide Profile, Front Exhaust, 27
- Muffler, Wide Profile, Side Exhaust, 25

# Index

- Oil Fill (Spec A), 20
- Oil Fill (Spec B, Long Tube), 22
- Oil Fill (Spec B, Short Tube), 21
  
- Paint, 41
- Pan Assembly, Air Cleaner, 13
- Pickup, Oil, 17
- Pin, Piston, 4
- Piston, 4
- Plate Assembly, Throttle, 5, 7
- Plate, Air Deflector (Spec C), 13
- Plug, Core Hole, 19
- Plug, Oil Drain, 17
- Plug, Pipe (Spec A), 17
- Plug, Pipe (Spec B & C), 19
- Plug, Spark, 31
- Pump Assembly, Oil (Spec B,C), 19
- Pump, Fuel, 8
- Pump, Oil (Spec A), 17
  
- Regulator, Voltage (Spec B), 12
- Regulator, Voltage (Spec C), 29
- Retainer, Governor Gear, 19
- Retainer, Valve Spring, 3
- Ring Set, Piston, 4
- Ring, Governor Retaining, 7
- Ring, Oil Base Retaining, 19
- Ring, Piston Retaining, 4
- Ring, Valve Guide, 3
- Rod, Push, 3
  
- Screen, Blower Wheel, 30
- Screen, Oil Pickup Shaft, 19
- Sealant, Thread, 41
- Seat, Valve, 3
  
- Shaft Assembly, Balancer (Spec B,C), 40
- Shaft, Balancer (Spec A), 39
- Shaft, Governor (Spec A), 17
- Shaft, Governor (Spec B,C), 19
- Shaft, Governor Lever, 14
- Shaft, Rocker Arm, 3
- Shim, Balancer Shaft (Spec A), 39
- Shim, Balancer Shaft (Spec B,C), 40
- Shim, Camshaft, 14
- Shim, Crankshaft (Spec A), 39
- Shim, Crankshaft (Spec B,C), 40
- Sleeve, Governor (Spec A), 17
- Sleeve, Governor (Spec B,C), 19
- Spud, Fuel Pump, 8
- Starter, 36, 37
- Starter Assembly, Recoil, 35
- Stator (Spec A), 32
- Stator (Spec B & C), 33
- Stop, Governor, 17
- Support, Indicator, 20
- Switch, Magnetic, 37
- Switch, Oil Pressure, 19
- Swivel, Choke Lever (Spec A), 5
- Swivel, Choke Lever (Spec B,C), 7
  
- Tappet, 3
- Tube, Oil Fill (Spec B, Long Tube), 22
- Tube, Oil Fill (Spec B,C - Short Tube), 21
  
- Valve, 3
- Valve, Oil Relief, 17
  
- Wheel Assembly, Blower, 30
- Wrapper, Element (Spec A,B), 11
- Wrapper, Element (Spec C), 13

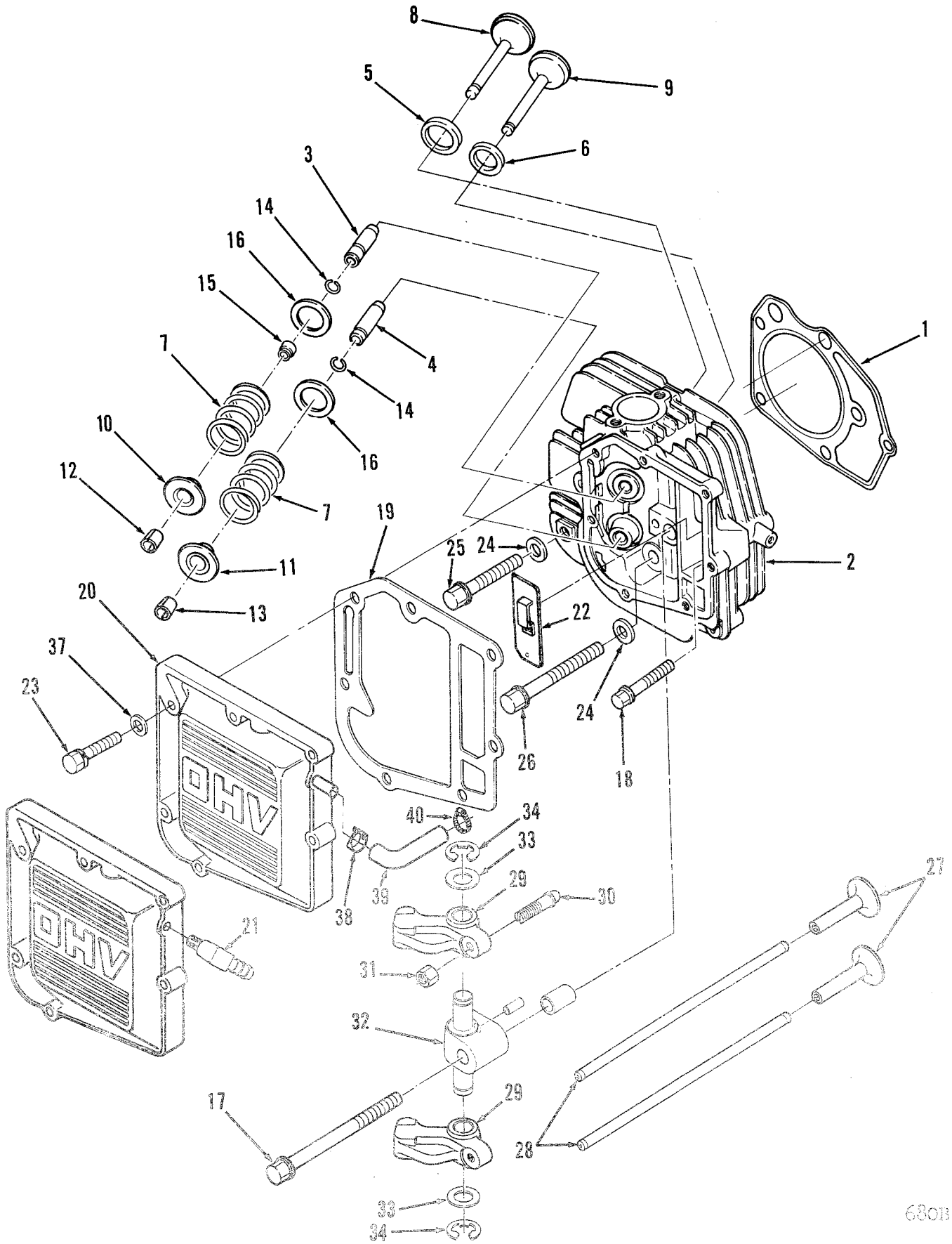
## Cylinder Block



678A

REF NO.	PART NO.	QTY USED	PART DESCRIPTION	REF NO.	PART NO.	QTY USED	PART DESCRIPTION
1	-	1	Block, Cylinder (See Short Block Catalog #932-0109)	5	510-0160	1	Bearing, Ball - Crankshaft - Upper
2	110-3615	2	Pin, Dowel - Hollow	6	510-0162	1	Bearing, Ball - Camshaft
3	510-0163	2	Bearing, Ball - Balancer Shaft - Upper	7	509-0255	1	Seal, Governor Shaft Lever
4	509-0258	1	Seal, Oil - Crankshaft - Upper	8	775-0074	2	Pin, Alignment
				9	505-0274	1	Plug, Pipe-Countersunk

# Cylinder Head



68011



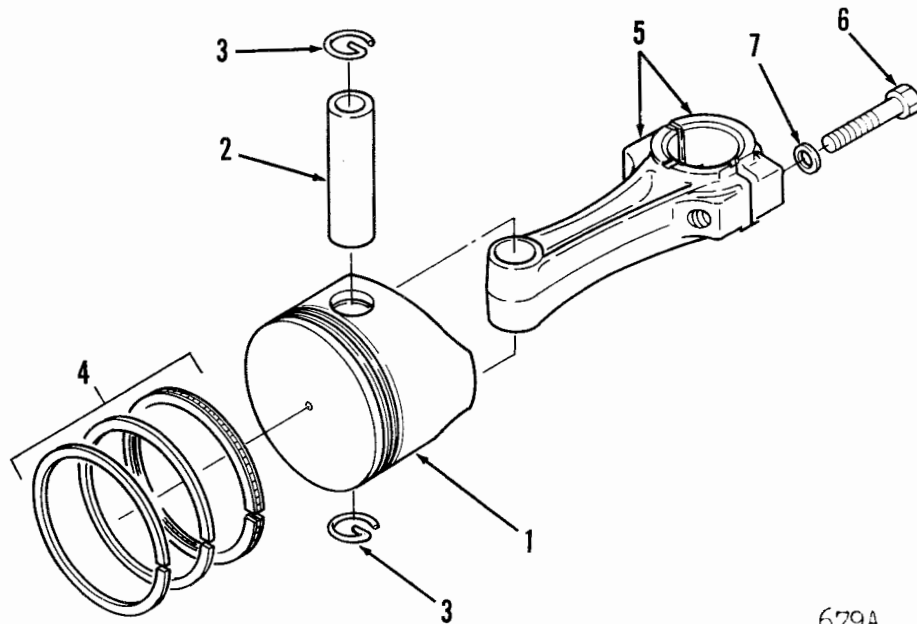
## Cylinder Head

REF NO.	PART NO.	QTY USED	PART DESCRIPTION	REF NO.	PART NO.	QTY USED	PART DESCRIPTION
1	110-3591	1	Gasket, Cylinder Head	19			Gasket, Cover
2			Head Assembly, Cylinder		110-3598	1	Spec A,B
			With Valves (Includes Parts		110-3830	1	Spec C
			Marked #)	20	170-4385-03	1	Cover, Valve
	110-3740	1	Spec A,B	21	502-1111	1	Elbow, Breather - 45°
	110-3828	1	Spec C				(Spec A Only)
	110-3710		# Without Valves	22	123-1836	1	Breather
3	110-3693	1	+#Guide, Valve - Intake	23	725-1029	7	Screw, Cap - Socket Head
4	110-3694	1	+#Guide, Valve - Exhaust				(M6 x 25mm)
5			+#Seat, Valve - Intake (Not for	24	740-1008	4	Washer, Flat (M10)
			sale)	25	110-3593	2	Bolt, Cylinder Head
6			+#Seat, Valve - Exhaust (Not for				(M10 x 66mm)
			sale)	26	110-3594	2	Bolt, Cylinder Head
7			#Spring, Valve				(M10 x 86mm)
	110-3581	2	Spec A,B	27	115-0423	2	Tappet
	110-3822	2	Spec C	28	115-0424	2	Rod, Push
8	110-3578	1	#Valve, Intake (Marked "IN")	29	115-0426	2	Arm Assembly, Rocker
9	110-3579	1	#Valve, Exhaust (Marked "EX")				(Includes Nut and Screw)
10			#Retainer, Valve Spring - Intake	30	115-0427	2	Screw, Lash Adjusting
	110-3582	1	Spec A,B	31	115-0428	2	Nut, Lash Adjusting
	110-3825	1	Spec C	32	115-0429	1	Shaft, Rocker Arm
11			#Retainer, Valve Spring -	33	115-0473	2	Washer, Rocker Arm
			Exhaust	34	518-0566	2	Clip, Retainer
	110-3583	1	Spec A,B	35	516-2004	1	Pin, Dowel
	110-3826	1	Spec C	36	110-3615	1	Pin, Dowel - Hollow
12			#Lock, Valve - Intake	37	740-1004	7	Washer, Flat (M6)
	110-3585	2	Spec A,B	38	503-0769	1	Clamp
	110-3827	2	Spec C	39	503-0692	1	Tube, Breather
13	110-2752	2	#Lock, Valve - Exhaust	40	503-0685	1	Clamp
14	110-3580	2	+#Ring, Valve Guide				
15	110-3586	1	#Seal, Valve Stem - Intake				
16	110-3587	2	#Washer, Valve Spring				
17	110-3595	1	Bolt, Cylinder Head				
			(M10 x 125mm)				
18	110-3596	1	Bolt, Cylinder Head				
			(M8 x 50mm)				

# - Parts Included in 110-3740 & 110-3828 Cylinder Head Assembly.

+ - Parts Included in 110-3710 Cylinder Head Assembly.

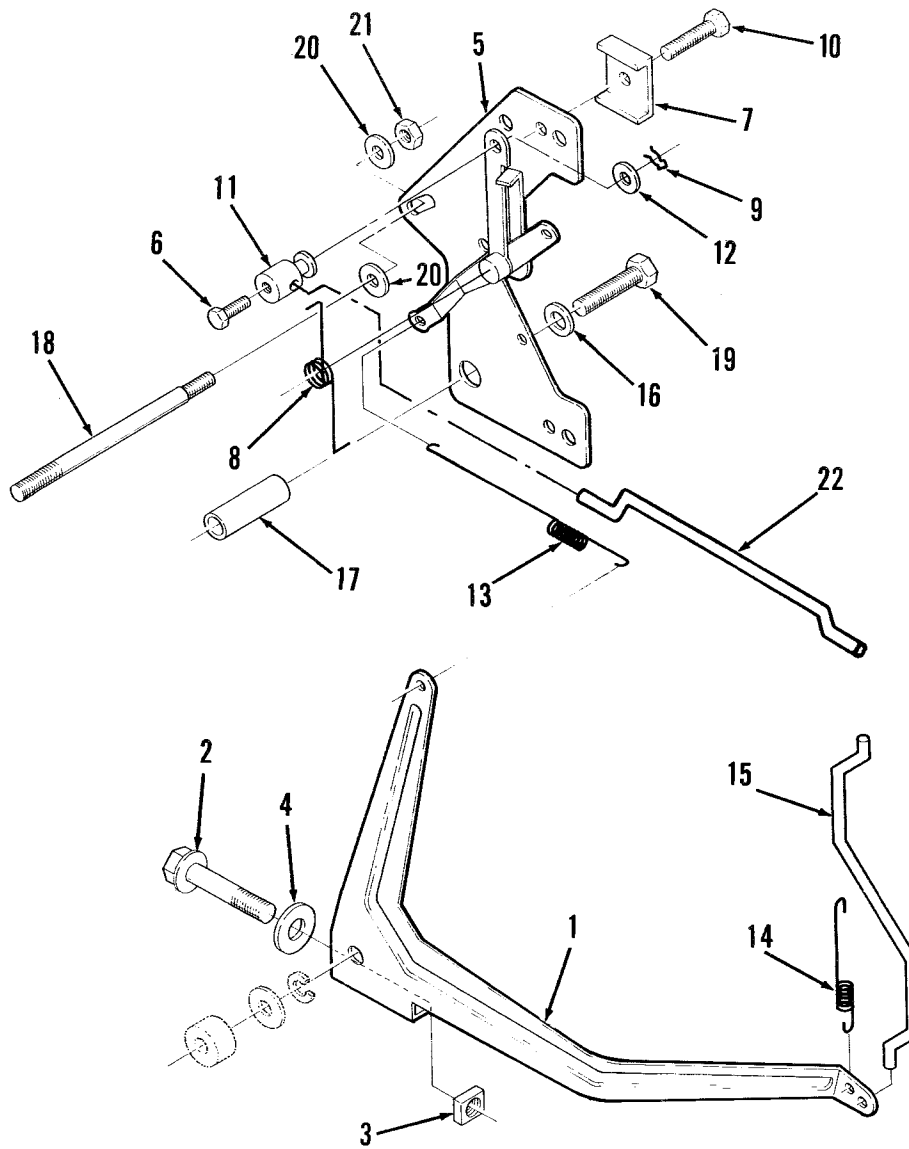
# Piston



679A

REF NO.	PART NO.	QTY USED	PART DESCRIPTION	REF NO.	PART NO.	QTY USED	PART DESCRIPTION
1			Kit, Piston (Includes Pin and Retaining Rings and Ring Set)	5			Kit, Connecting Rod (Includes Bolts and Washers)
	112-0276	1	Standard		114-0357	1	Standard
	112-0276-01	1	.25mm Oversize		114-0357-01	1	.25mm Undersize
	112-0276-02	1	.50mm Oversize		114-0357-02	1	.50mm Undersize
2	112-0244	1	Pin, Piston	6	114-0355	2	Bolt, Connecting Rod
3	112-0245	2	Ring, Retaining	7	114-0356	2	Washer, Connecting Rod
4			Ring Set, Piston				
	113-0330	1	Standard				
	113-0330-01	1	.25mm Oversize				
	113-0330-02	1	.50mm Oversize				

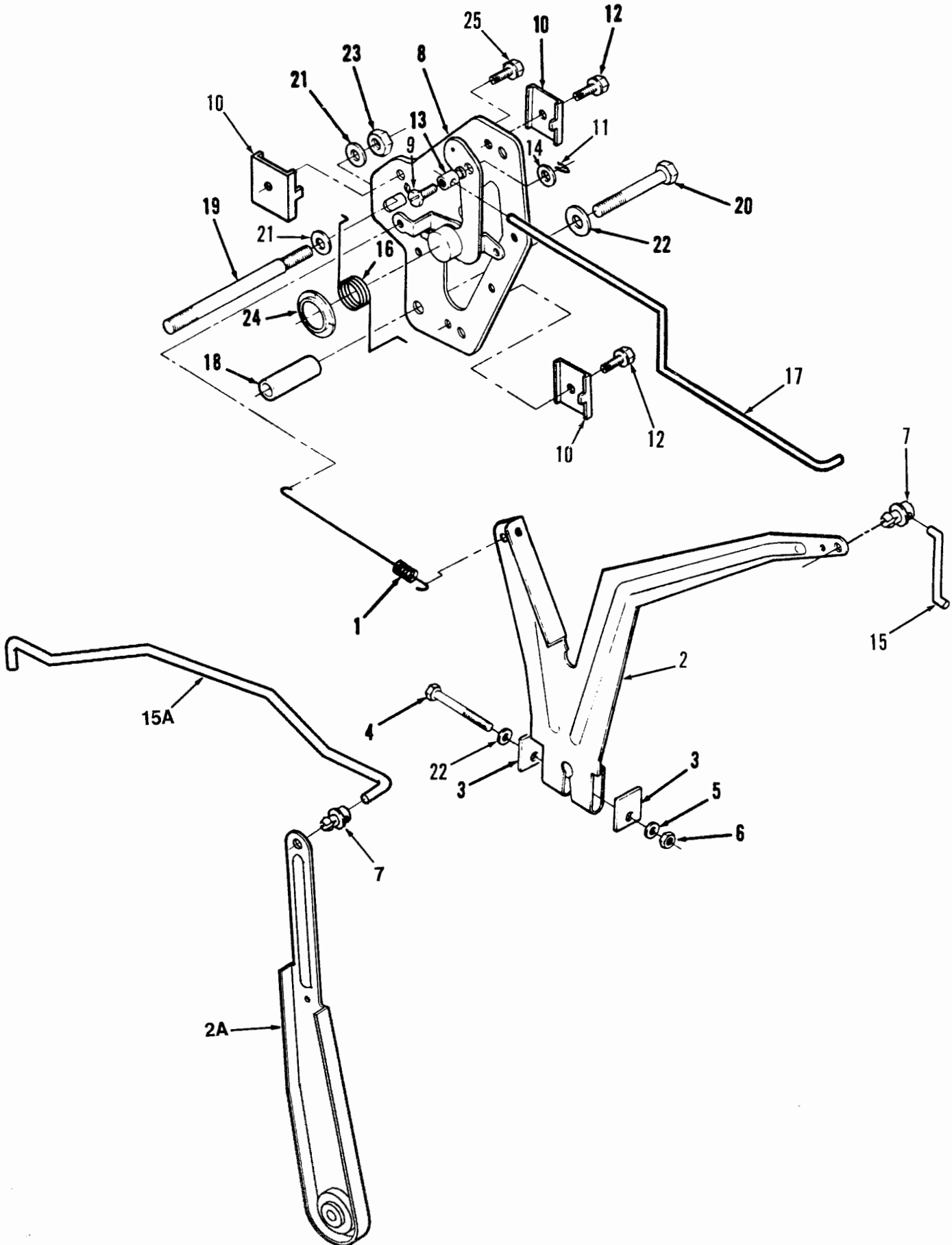
## Governor (Spec A)



685C

REF NO.	PART NO.	QTY USED	PART DESCRIPTION	REF NO.	PART NO.	QTY USED	PART DESCRIPTION
1	150-2279	1	Lever, Governor	11	152-0155	1	Swivel, Choke Lever
2	718-1039	1	Screw, Cap - Hex Head (M8 x 35mm)	12	526-0140	1	Washer, Flat (#10)
3	870-0465	1	Nut, Square (M8)	13	150-2290	1	Spring, Governor
4	740-1006	1	Washer, Flat (M8)	14	150-2308	1	Spring, Throttle Link
5	152-0316	1	Plate Assembly, Throttle (Includes Control and Choke Levers, Pivot Pin and Flat Washers)	15	152-0317	1	Link, Throttle
6	815-0758	1	Screw, Machine - Hex Head (#8-32 x 5/16")	16	740-1006	1	Washer, Flat (M8)
7	153-0514	1	Clamp, Cable	17	370-4057	1	Spacer
8	153-0621	1	Spring, Choke Linkage	18	520-2212	1	Stud
9	516-0059	1	Pin, Cotter (Hairpin)	19	815-0776	1	Screw, Thread Forming - Hex Washer Head (M8 x 40mm)
10	815-0602	1	Screw, Thread Forming - Hex Washer Head (M5 x 12mm)	20	740-1004	2	Washer, Flat (M6)
				21	750-1004	1	Nut, Hex (M6)
				22	153-0623	1	Link, Choke

# Governor (Spec B & C)

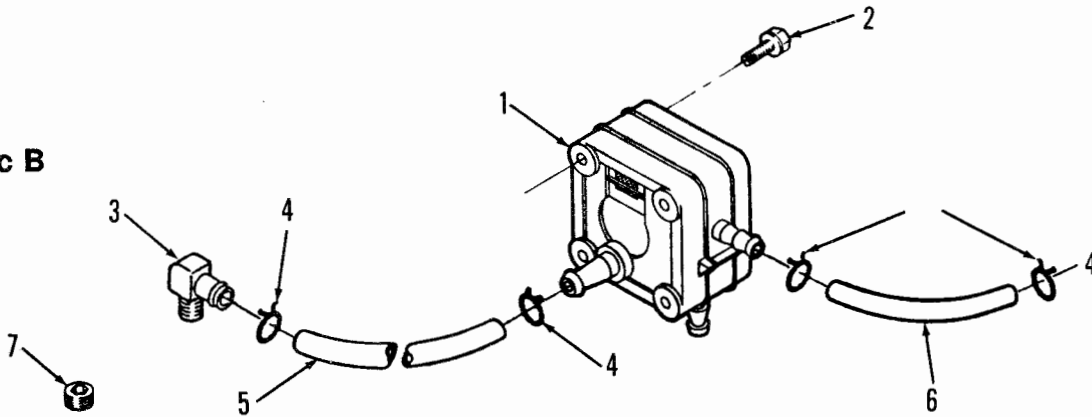


**Governor  
(Spec B and C)**

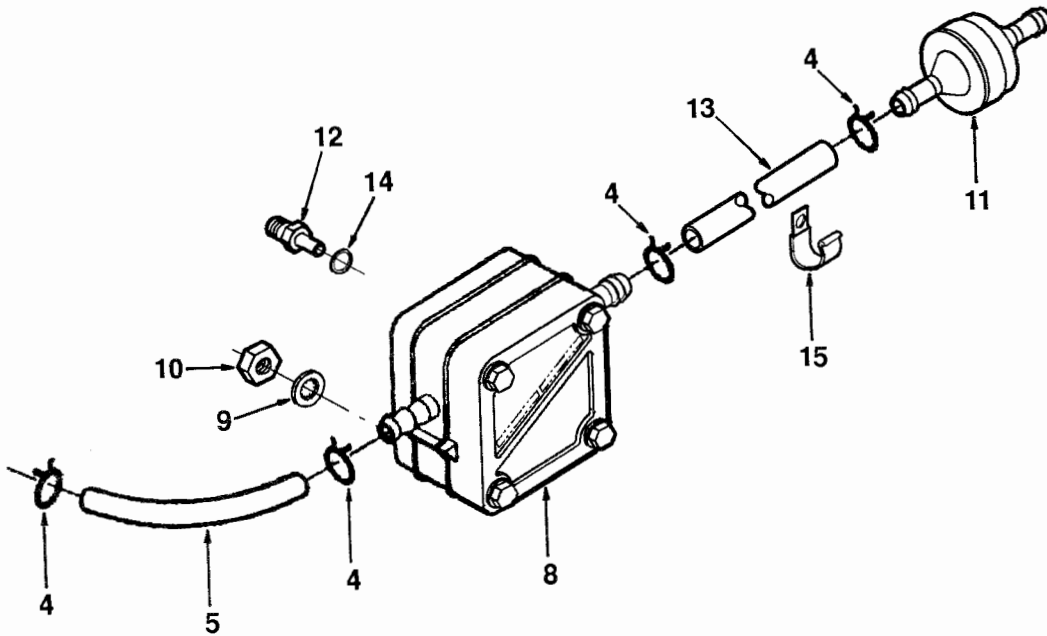
REF NO.	PART NO.	QTY USED	PART DESCRIPTION	REF NO.	PART NO.	QTY USED	PART DESCRIPTION
1			Spring, Governor	12	815-0359	1	Screw, Thread Forming - Hex Washer Head (#10-32 x 7/8")
	150-2290	1	Spec A & B				
	150-2548	1	Spec C	13	153-0632	1	Swivel, Choke Lever
2	150-2338	1	Lever, Governor (Spec B)	14	526-0140	1	Washer, Flat (#10)
2A	150-2515	1	Lever, Governor (Spec C)	15	152-0319	1	Link, Throttle (Spec B)
3	150-2351	2	Washer, Governor Lever	15A	152-0330	1	Link, Throttle (Spec C)
4	800-2062	1	Screw, Cap - Hex Head (M8 x 45mm)	16	153-0621	1	Spring, Choke Linkage
5	853-0016	1	Washer, Lock - ET (5/16")	17		1	Link, Choke
6	860-2008	1	Nut, Hex (M8)		153-0630	1	Spec B
7	152-0343	2	Clip, Link		153-0650	1	Spec C
8	152-0326	1	Plate Assembly, Throttle (Includes Control and Choke Levers, Pivot Pin and Flat Washers)	18	370-4057	1	Spacer
9	800-4072	1	Screw, Machine - Hex Slotted Head - Recessed (M4 x 8mm)	19	520-2212	1	Stud
10			Clamp, Cable	20	815-0776	1	Screw, Thread Forming - Hex Washer Head (M8 x 40mm)
	153-0633-01	1	Single Control	21	740-1004	2	Washer, Flat (M6)
	153-0633-01	2	Dual Control	22	740-1006	2	Washer, Flat (M8)
11	516-0059	1	Pin, Cotter (Hairpin)	23	750-1004	1	Nut, Hex (M6)
				24	518-0594	1	Ring, Retaining
				25	815-0779	1	Screw, Thread Forming - Hex Washer Head (#12-24 x 1") (Used on Dual Control)

## Fuel Pump (Spec B and C)

### Spec B



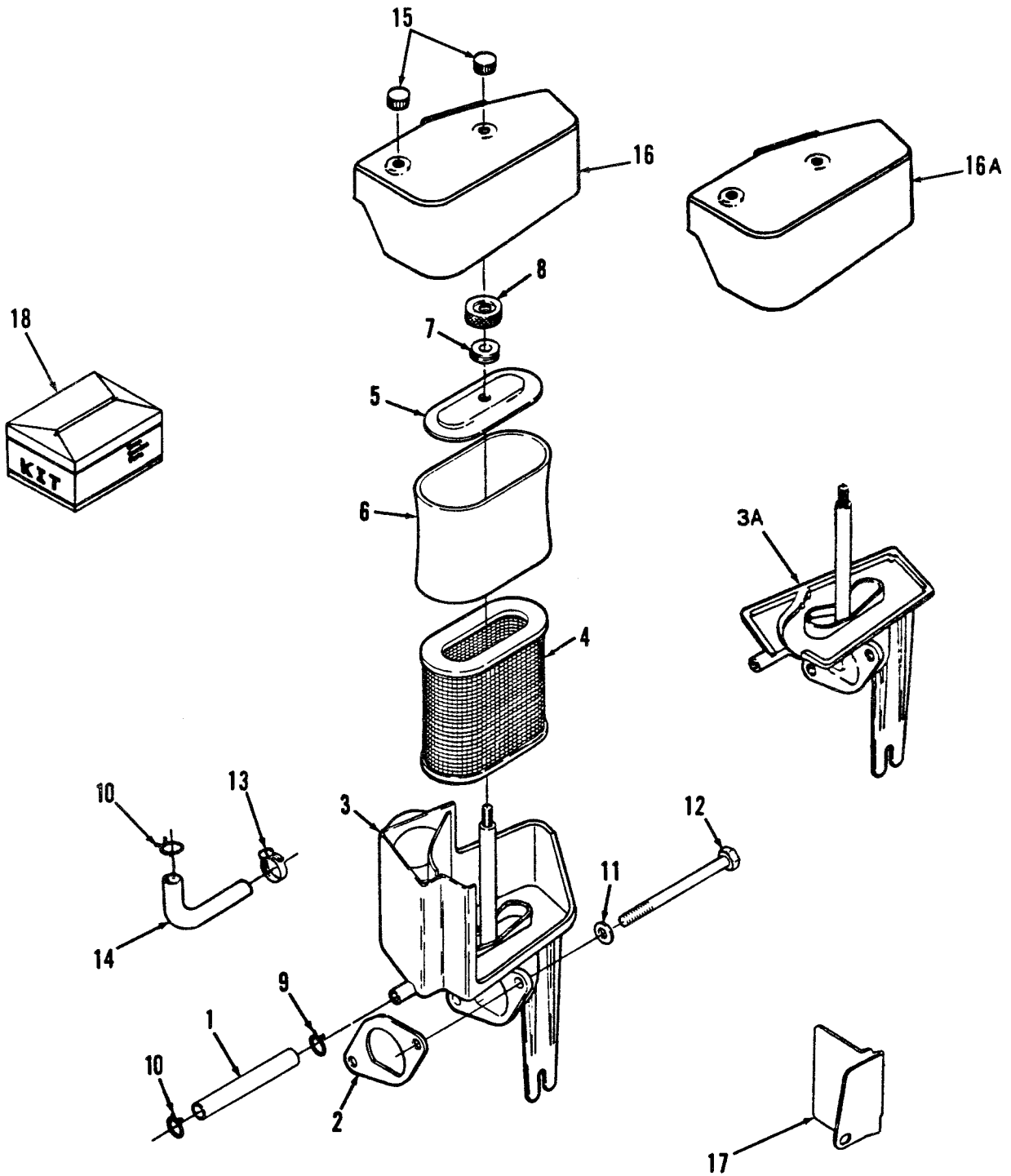
### Spec C



REF NO.	PART NO.	QTY USED	PART DESCRIPTION	REF NO.	PART NO.	QTY USED	PART DESCRIPTION
<b>Spec B</b>				<b>Spec C</b>			
1	149-2299	1	Pump, Fuel	4	503-0731	4	Clamp, Hose - Pulse and Fuel Line
2	815-0775	2	Screw, Thread Forming - Hex Washer Head (M4 x 40mm) Fuel Pump Mounting	5	503-1422	1	Hose - Fuel (5-1/8" x 1/4" ID)
3	502-0313	1	Elbow, Hose - 90° (1/8") Fuel Pump Pulse Line - Cylinder Block Mounted	8	149-2371	1	Pump, Fuel (Includes Grommet)
4	503-0731	4	Clamp, Hose - Pulse and Fuel Line	9	854-0010	2	Washer, Lock-It
5	503-1422	1	Hose - Fuel Pump Pulse (5-1/8" x 1/4" ID)	10	860-0011	2	Nut
6	503-1767	1	Hose - Fuel Pump to Carburetor (5-1/2" x 1/4" ID)	11	149-2356	1	Filter, Fuel
7	505-0274	1	Plug, Pipe - Countersunk (1/8") (Fuel Pump Pulse Line Hole - Cylinder Block Mounted)	12	149-2422	1	Spud, Fuel Pump
				13	503-0663	1	Hose
				14	508-1076	1	Grommet
				15	518-0515	1	Clip, Wire



# Air Cleaner (Spec A & B)





**Air Cleaner  
(Spec A & B)**

**Code 19CH (Air Cleaner With Seal)**

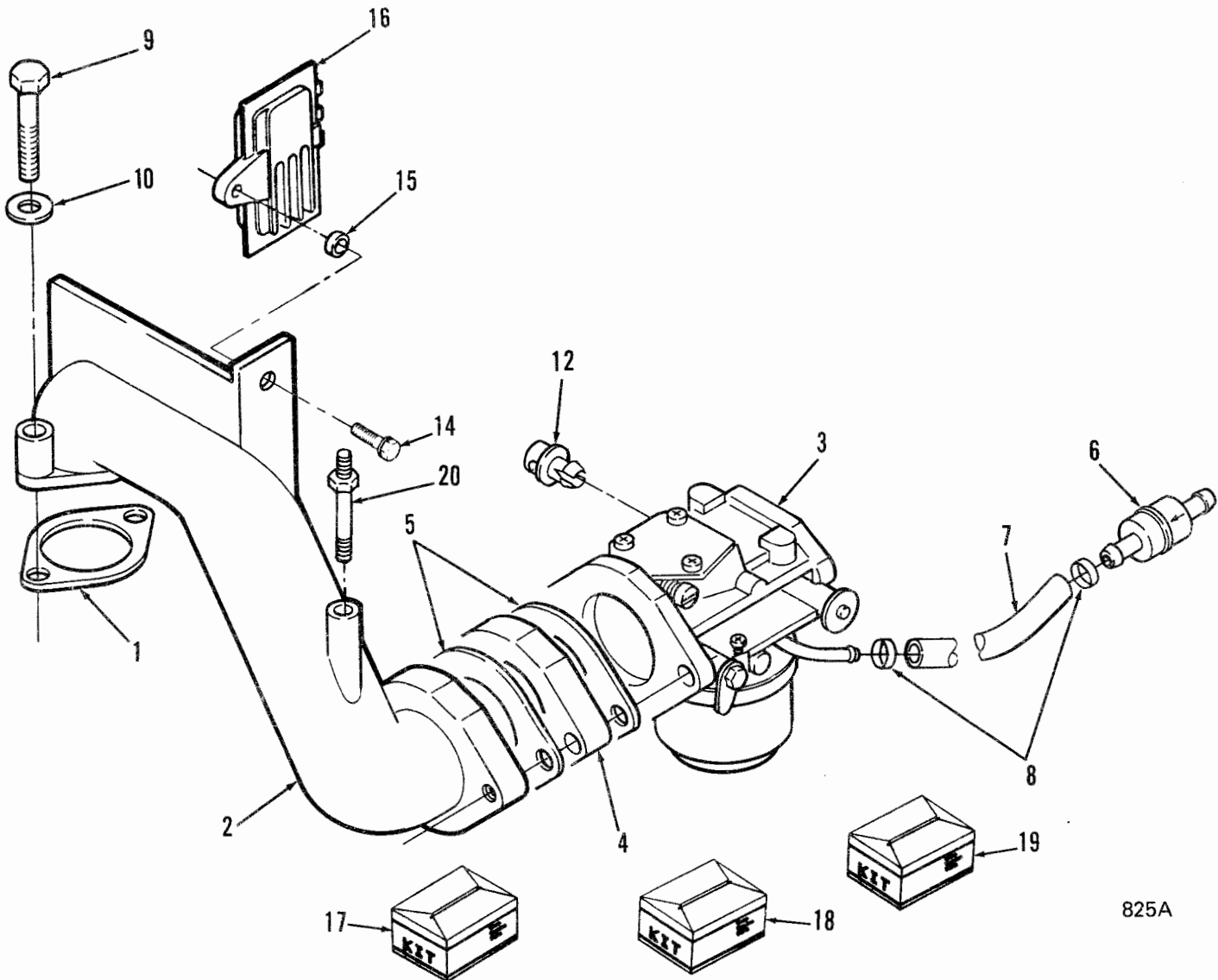
**Code 19AW (Air Cleaner Without Seal)**

**(19AW on Spec C IS the same as the 19CH)**

REF NO.	PART NO.	QTY USED	PART DESCRIPTION	REF NO.	PART NO.	QTY USED	PART DESCRIPTION
1	123-1913	1	Hose, Breather (5/16"ID x 100mm) (Used on Engines Without Fuel Pump)	13	503-0685	1	Clamp, Hose (Used on Engines With Fuel Pump)
2	140-2329	1	*Gasket	14	503-0692	1	Hose, Breather (Used on Engines With Fuel Pump)
3	140-2527	1	Adapter	15	140-2383	2	*Knob, Cover--Air Cleaner
3A	140-2595	1	*Adapter, Cleaner - Air (Sales Code 19CH)	16	140-2584-50	1	Cover, Cleaner - Air
4	140-2535	1	*Element	16A	140-2657	1	*Cover Assembly, Cleaner - Air (With Seal) (Sales Code 19CH)
5	140-2534	1	*Cover, Element	17	140-2650	1	*Deflector, Air (Sales Code 19CH)
6	140-2335	1	*Wrapper, Element	18	140-2659	1	Kit, Cleaner - Air (Includes Parts Marked *)
7	508-0012	1	*Grommet (3/8" Hole)				
8	140-2533	1	*Knob, Cover - Inner				
9	503-1445-03	1	Clamp, Hose (Black) (Engines Without Fuel Pump)				
10	503-1445-04	1	Clamp, Hose (Olive Drab)				
11	740-1006	2	Washer, Flat (M8)				
12	718-1808	2	Screw, Cap - Hex Head (M8 x 100mm)				

\* - Parts Included in 140-2659 Air Cleaner Kit

## Carburetor (Spec A & B)



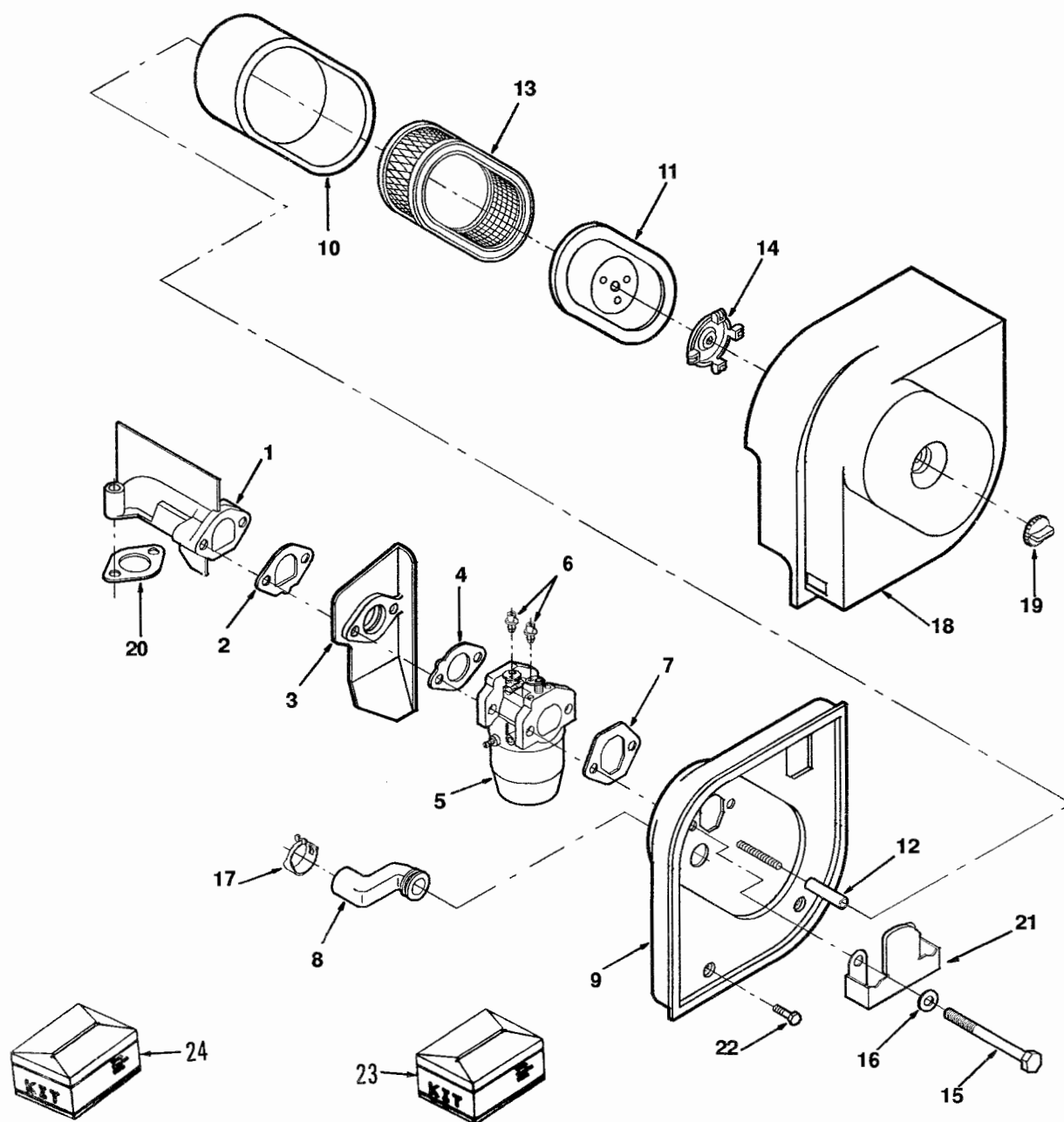
825A

REF NO.	PART NO.	QTY USED	PART DESCRIPTION	REF NO.	PART NO.	QTY USED	PART DESCRIPTION
1	146-0484	1	Gasket	15	150-1269	1	*Bushing - Spec B
2	140-2333	1	Elbow, Intake	16	191-1748	1	*Regulator, Voltage - Spec B
	154-2792	1	Spec B	17	146-0559	1	Kit, Float (For Both 146-0518 and 146-0526 Carburetors)
3			Carburetor (Complete)	18	146-0560	1	+Kit, Repair (For 146-0518 Carburetor Only)
	146-0518	1	Spec A	19	146-0561	1	+Kit, Repair (For 146-0526 Carburetor Only)
	146-0526	1	Spec B	20	520-2033	1	Stud
4	146-0485	1	Insulator				
5	146-0486	2	Gasket				
6	149-2206-01	1	Filter, Fuel - Spec A				
7	146-0489	1	Hose, Fuel (1/4"ID x 9") Spec A				
8	503-0731	2	Clamp, Hose - Spec A				
9	800-2063	2	Screw, Cap - Hex Head (M8 x 50mm)				
10	526-0115	2	Washer, Flat (M8)				
12	152-0343	2	Clip, Link - Spec B				
14	821-0011	1	*Screw, Cap - Hex Washer Head (1/4-20 x 7/8") Spec B				

\* - Engines With Voltage Regulator.

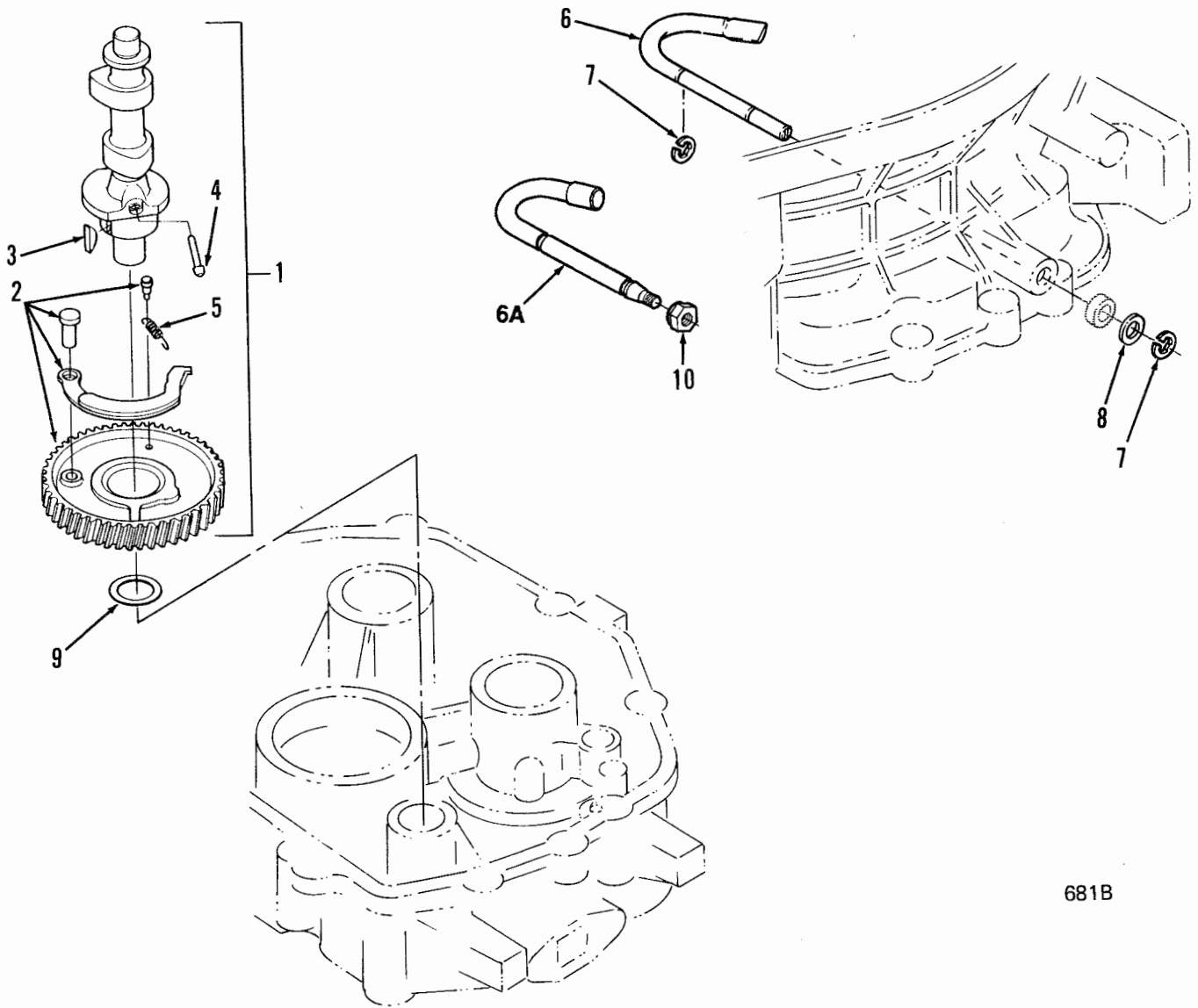
+ - Items 18 & 19 include: Slow Jet, Main Nozzle, Main Jet, Float, Valve-Float, Pin-Float, Gasket-Bowl, Gasket-Bowl Bolt, Gasket-Cover, Screw-Idle Adj., Spring-Idle Adj. Screw.

## Carburetor (Spec C)



REF NO.	PART NO.	QTY USED	PART DESCRIPTION	REF NO.	PART NO.	QTY USED	PART DESCRIPTION
1	154-2847	1	Elbow, Intake	13	140-2672	1	Element, Cleaner - Air
2	146-0571-02	1	Gasket, Insulator	14	140-2675	1	Knob, Cover - Inner
3	146-0567	1	Insulator, Carburetor	15	815-0816	2	Screw, Thd Form - Hex Head
4	146-0571-01	1	Gasket, Insulator	16	740-1004	2	Washer, Flat (M6)
5	146-0568	1	Carburetor	17	503-1445-04	1	Clamp, Hose
6	152-0343	2	Clip, Link	18	140-2676	1	Cover, Cleaner - Air
7	140-2772	1	Gasket, Cleaner - Air	19	140-2537	1	Knob, Cleaner - Air
8	123-1940	1	Tube, Breather	20	146-0484	1	Gasket, Intake
9	140-2716-02	1	Pan Assy, Cleaner - Air	21	145-0678-02	1	Plate, Deflector - Air
10	140-2748	1	Wrapper, Element	22	815-0474	2	Screw (1/4-14 x 1/2)
11	140-2674-01	1	Cover, Element	23	146-0604	1	Rebuild Kit, Carburetor
12	140-2536-04	1	Seal, Air Cleaner Spacer	24	146-0605	1	Float Kit, Carburetor

## Camshaft



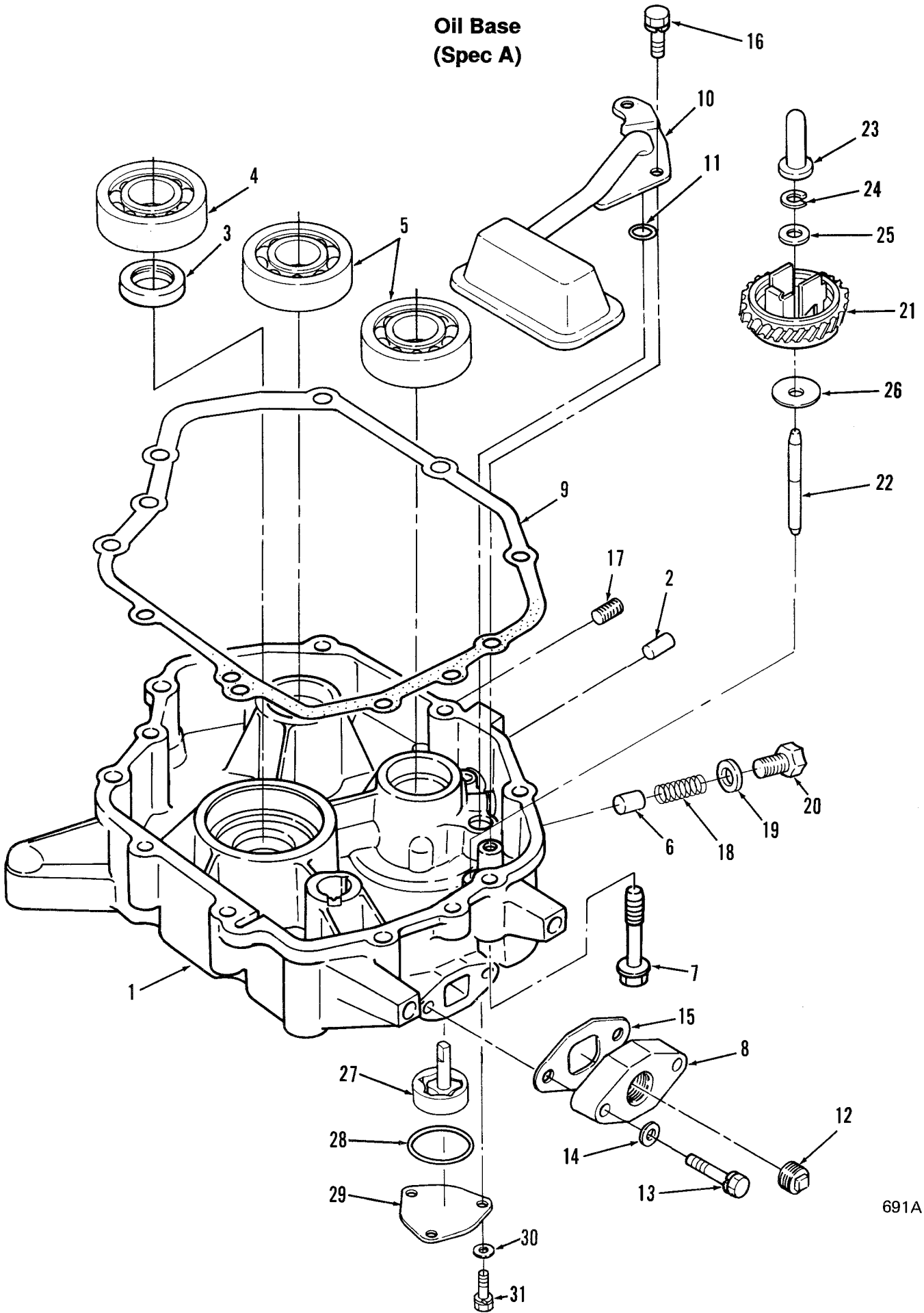
681B

REF NO.	PART NO.	QTY USED	PART DESCRIPTION	REF NO.	PART NO.	QTY USED	PART DESCRIPTION
1			Camshaft Assembly (Includes Parts Marked *)	8	740-1006	1	Washer, Flat (M8) (Spec A,B)
	105-0658	1	Spec A & B	9			Shim, Camshaft (Use as Required)
	105-0693-02	1	Spec C		105-0649-01	1	0.5mm Thick
2	105-0657	1	*Camgear Assembly (Includes Gear, Flyweight, Flyweight Shaft and Pin)		105-0649-02	1	0.6mm Thick
3	515-0294	1	*Key - Camgear		105-0649-03	1	0.8mm Thick
4	150-2304	1	*Pin, Decompression		105-0649-04	1	0.9mm Thick
5	150-2303	1	*Spring, Decompression		105-0649-05	1	1.0mm Thick
6	150-2287	1	Shaft, Governor Lever (Spec A,B)(Includes Clip, Item #7)		105-0649-06	1	1.2mm Thick
6A	150-2529	1	Shaft, Governor Lever (Spec C)	10	870-0506	1	Nut, Lock - Nylon (M6 x 1) (Spec C)
7	518-0576	2	Clip, Retainer (Spec A,B)				

\* - Parts Included in Item #1, Camshaft Assembly.



**Oil Base  
(Spec A)**

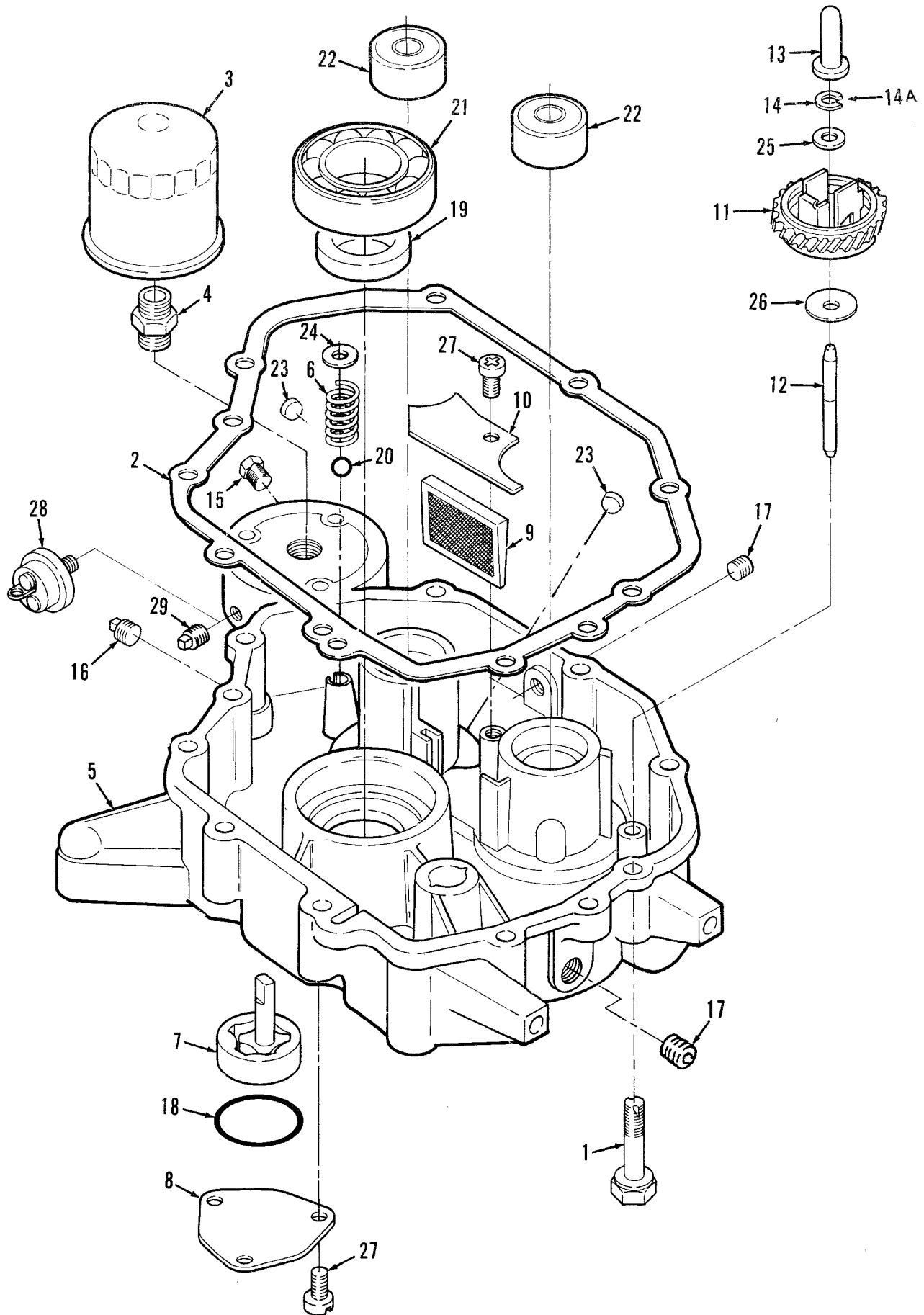


691A

**Oil Base  
(Spec A)**

REF NO.	PART NO.	QTY USED	PART DESCRIPTION	REF NO.	PART NO.	QTY USED	PART DESCRIPTION
1	102-1372	1	Base, Oil	17	505-0274	1	Plug, Countersunk Head (1/8")
2	102-1375	1	Plug, Oil Drain	18	120-1220	1	Spring, Relief Valve
3	509-0258	1	Seal, Oil - Crankshaft - Lower	19	120-1221	1	Gasket, Copper
4	510-0161	1	Bearing, Ball - Crankshaft - Lower	20	120-1225	1	Bolt, Retainer Spring
5	510-0163	2	Bearing, Ball - Balancer Shaft - Lower	21	150-2272	1	Gear, Governor (Includes Shafts and Weights)
6	120-1219	1	Valve, Oil Relief	22	150-2273	1	Shaft, Governor
7	102-1379	9	Bolt, Self-Tapping (M8) Special	23	150-2274	1	Sleeve, Governor
8	102-1382	1	Flange, Oil Drain	24	150-2275	1	Stop, Governor
9	110-3588	1	Gasket, Oil Base	25	526-2077	1	Washer, Flat (6.2mm ID x 9.7mm OD x 1.6mm Thk)
10	120-1216	1	Pickup, Oil	26	526-2078	1	Washer, Flat (6.2mm ID x 18mm OD x 1mm Thk)
11	509-0252	1	Ring, "O"	27	120-1217	1	Pump, Oil
12	505-0110	1	Plug, Square Head (3/8")	28	509-0253	1	Ring, "O"
13	800-2035	2	Screw, Cap - Hex Head (M6 x 25mm)	29	120-1218	1	Cover, Oil Pump
14	740-1004	2	Washer, Flat (M6)	30	740-1004	3	Washer, Flat (M6)
15	102-1365	1	Gasket, Flange	31	718-1019	3	Screw, Cap - Hex Head (M6 x 14mm)
16	720-1019	2	Screw, Cap - Hex Head (M6 x 14mm)				

# Oil Base (Spec B & C)

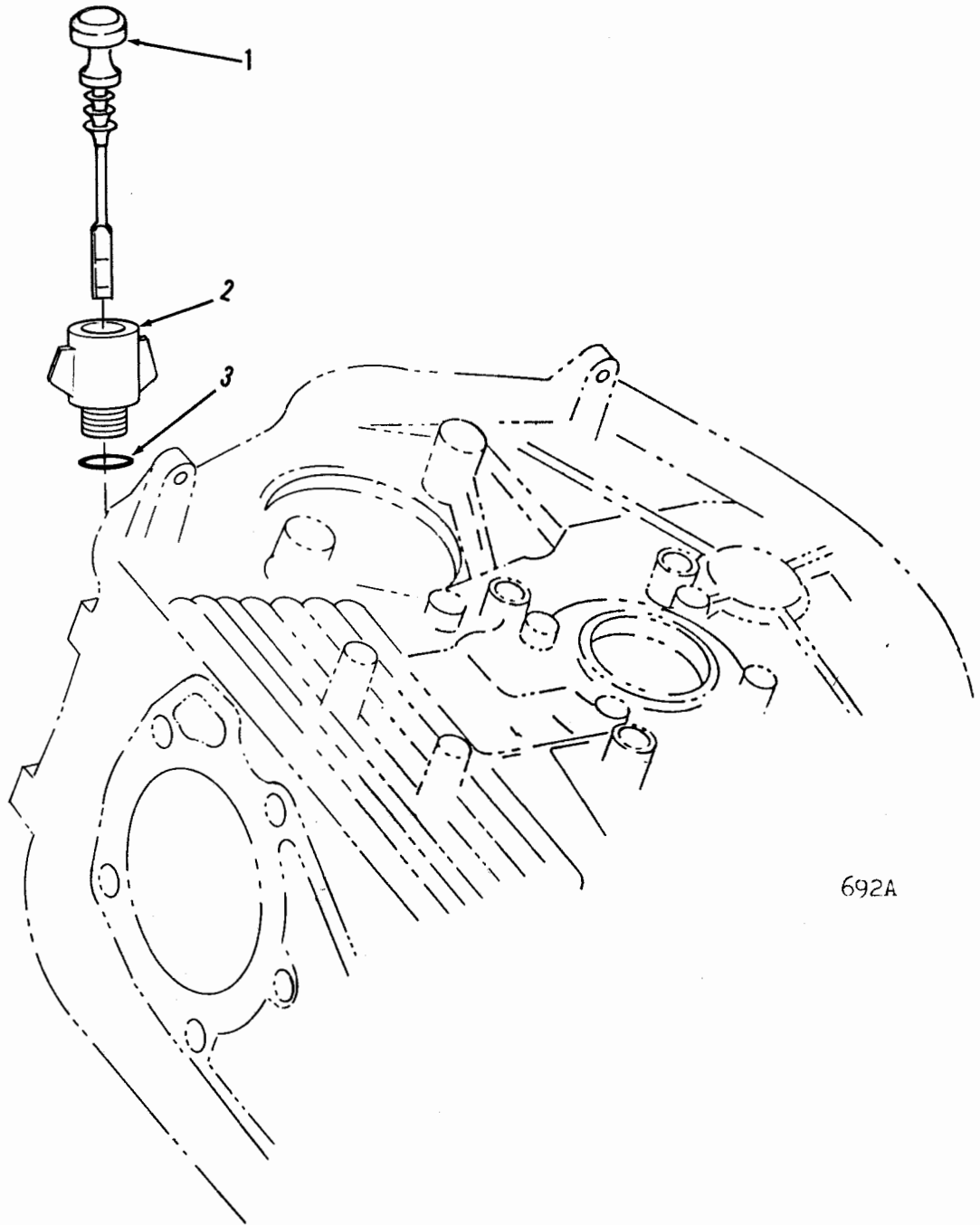




**Oil Base  
(Spec B & C)**

REF NO.	PART NO.	QTY USED	PART DESCRIPTION	REF NO.	PART NO.	QTY USED	PART DESCRIPTION
1	102-1379	9	Bolt, Self-Tapping (M8)	16	505-0110	1	Plug, Pipe - Square Head (3/8")
2	110-3588	1	Gasket, Oil Base	17	505-0266	2	Plug, Pipe - Square - Countersunk (3/8")
3			Filter, Oil				
	122-0737	1	With Onan Logo	18	509-0253	1	O-Ring
	122-0737-01	1	Without Onan Logo	19	509-0258	1	Seal, Oil - Crankshaft - Lower
4	122-0770	1	Adapter, Oil Filter	20	510-0043	1	Ball, Steel (5/16" OD)
5	102-1418-01	1	Base, Oil	21	510-0161	1	Bearing, Ball - Crankshaft - Lower
6	120-0140	1	Spring, Relief Valve	22	510-0163	2	Bearing, Ball - Balancer - Lower
7	120-1217	1	Pump Assy, Oil	23	517-0067	2	Plug, Core Hole
8	120-1218	1	Cover, Oil Pump	24	518-0560	1	Ring, Retaining
9	120-1236	1	Screen, Oil Pickup Shaft	25	526-2077	1	Washer, Flat (6.2mm ID x 9.7mm OD x 1.6mm Thk) (Spec B only)
10	120-1237	1	Cover, Screen				
11	150-2272	1	Gear, Governor (Includes Shafts and Weights)	26	526-2078	1	Washer, Flat (6.2mm ID x 18mm OD x 1mm Thk)
12			Shaft, Governor	27	823-0003-02	4	Screw, Torx Drive - Pan Head (M6 x 14mm)
	150-2273	1	Spec B	28	309-0606		Switch, Oil Pressure
	775-0069	1	Spec C	29	505-1426	1	Plug, Pipe - Square Head (1/8")
13			Sleeve, Governor				
	150-2274	1	Spec B				
	150-2530	1	Spec C				
14	150-2275	1	Stop, Governor (Spec B only)				
14A	150-2547	1	Retainer, Governor Gear (Spec C only)				
15	502-0153	2	Plug, Pipe - Hex Head (1/4") (Oil passages to and from pump)				

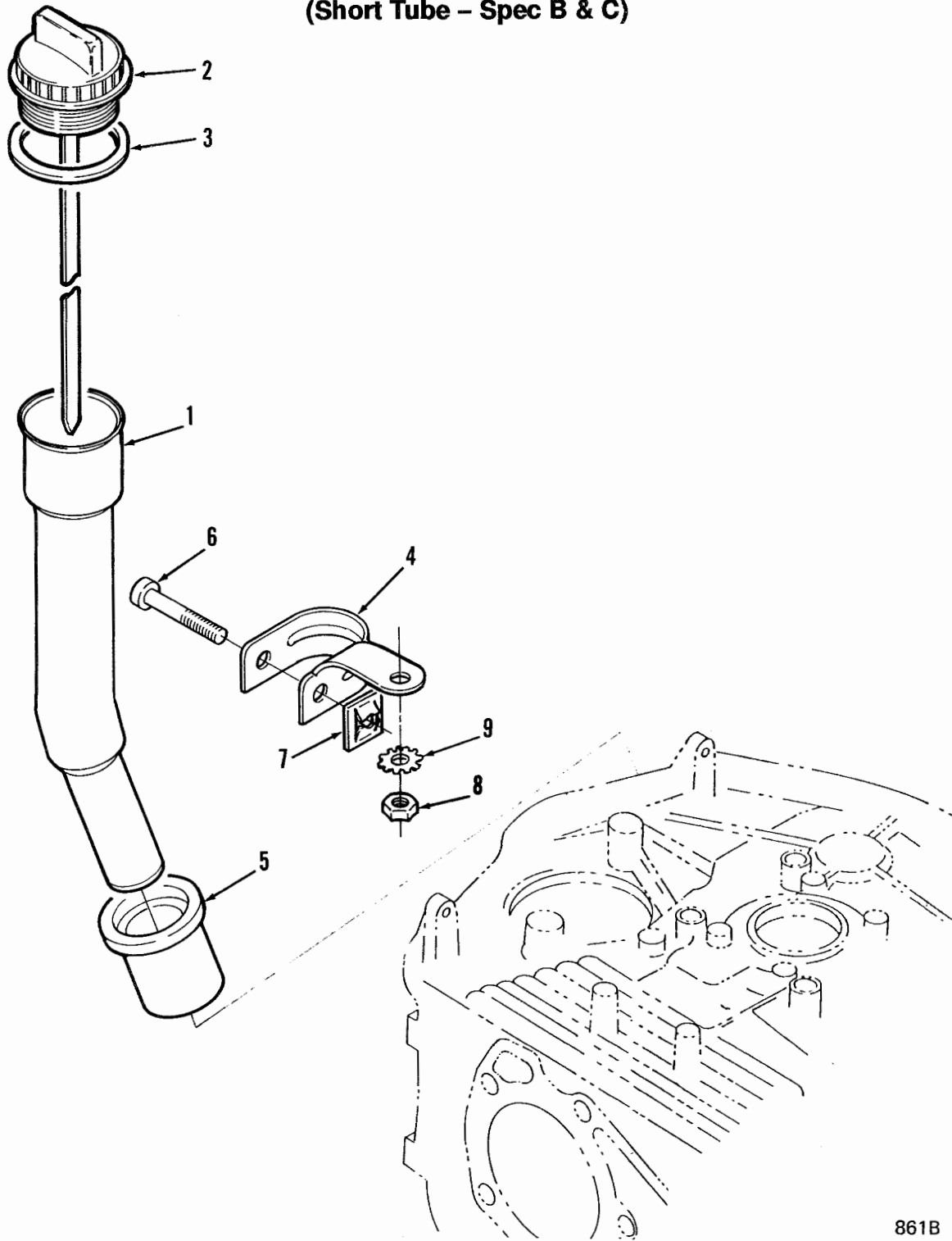
**Oil Fill  
(Spec A)**



692A

REF NO.	PART NO.	QTY USED	PART DESCRIPTION
1	123-1840	1	Indicator, Oil Level
2	123-1841	1	Support, Indicator
3	509-0254	1	O-Ring

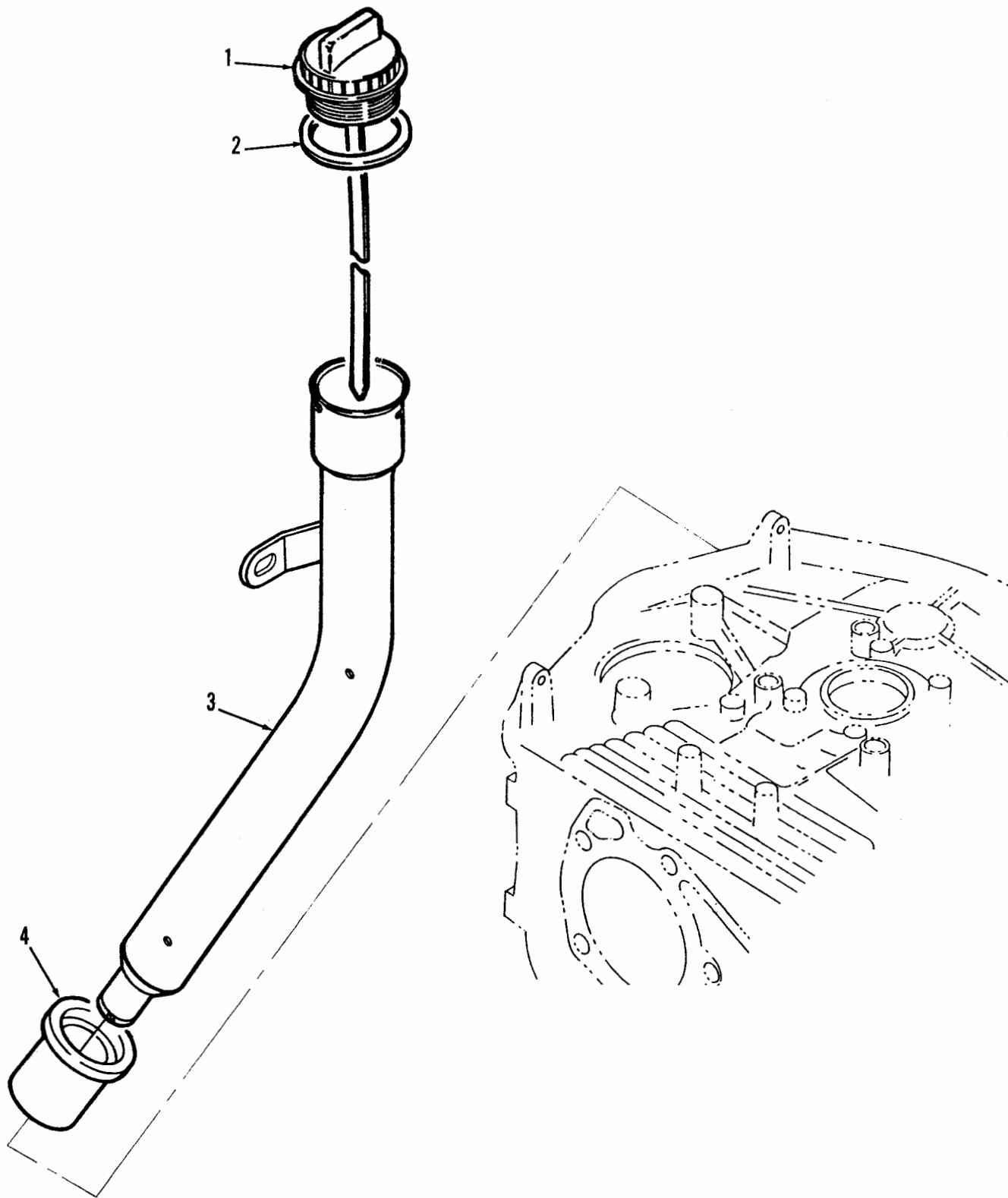
**Oil Fill  
(Short Tube – Spec B & C)**



861B

REF NO.	PART NO.	QTY USED	PART DESCRIPTION	REF NO.	PART NO.	QTY USED	PART DESCRIPTION
1	123-1873-02	1	Tube, Oil Fill (133mm)	6	815-0576	1	Screw, Self-Tapping – Cross Recessed Pan Head (#10 x 1-1/4")
2	123-1875	1	Indicator, Oil Level (Includes O-Ring)	7	870-0410	1	Nut, Speed – U Type
3	509-0142	1	O-Ring	8	860-2008	1	Nut, Hex (M8)
4	123-1876	1	Bracket, Support	9	853-0016	1	Washer, Lock-ET (5/16")
5	509-0269	1	Seal, Tube – Oil Fill				

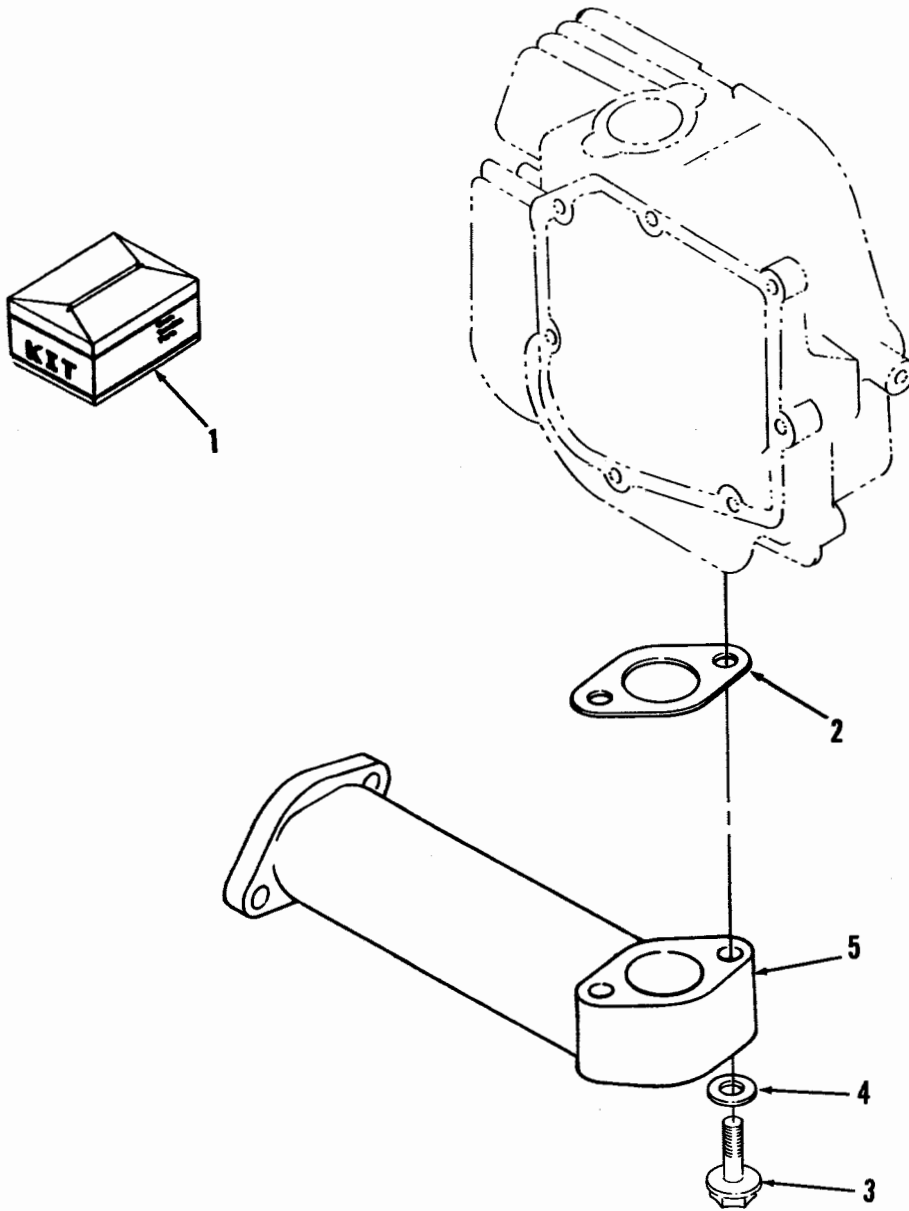
**Oil Fill  
(Long Tube - Spec B & C)**



REF NO.	PART NO.	QTY USED	PART DESCRIPTION
1	123-1874	1	Indicator and Cap Assembly (Includes O-Ring)
2	509-0142	1	O-Ring

REF NO.	PART NO.	QTY USED	PART DESCRIPTION
3	123-1915-50	1	Tube, Oil Fill (204, 5mm)
4	509-0269	1	Seal, Tube

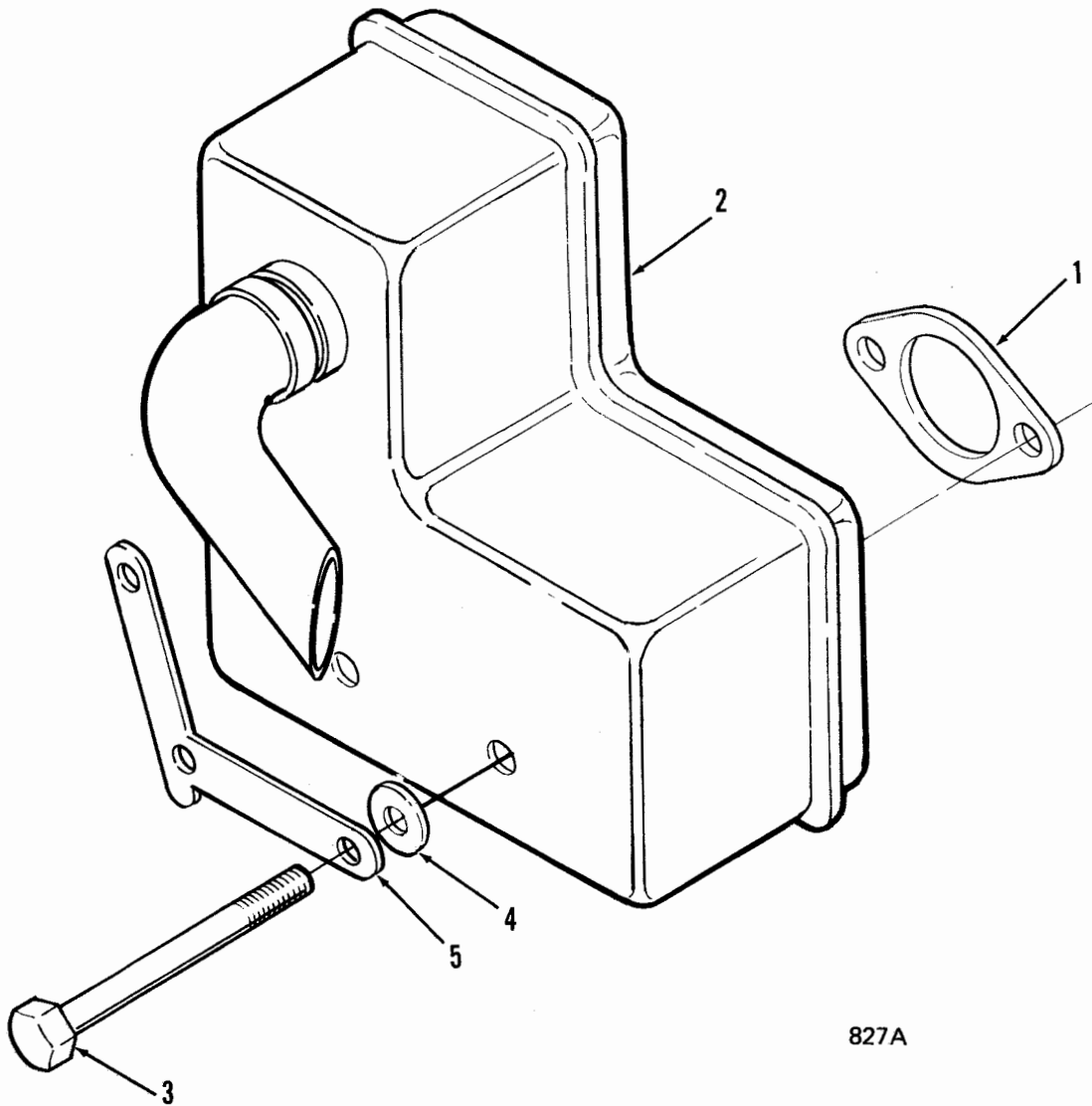
## Exhaust Elbow



684A

REF NO.	PART NO.	QTY USED	PART DESCRIPTION	REF NO.	PART NO.	QTY USED	PART DESCRIPTION
1	541-0376	1	Kit, Exhaust Elbow (Includes Parts Marked *)	4	740-1006	2	*Washer, Flat (M8)
2	155-2378	1	*Gasket (Two included with kit)	5	155-2377	1	*Elbow, Exhaust
3	718-1041	2	*Screw, Cap - Hex Head (M8 x 45mm)				

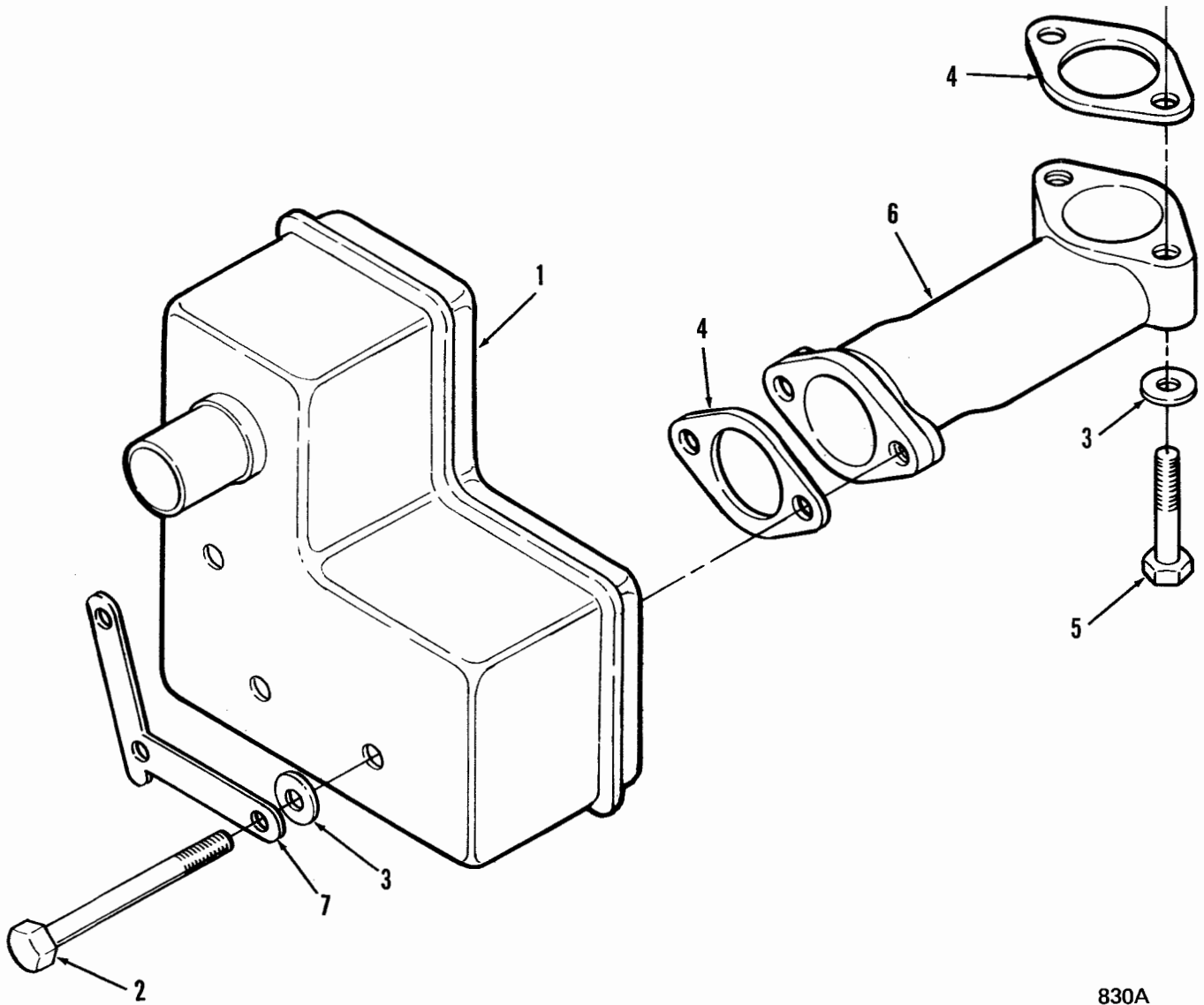
**Muffler  
(Side Mount, Wide - 45° Angle)**



827A

REF NO.	PART NO.	QTY USED	PART DESCRIPTION	REF NO.	PART NO.	QTY USED	PART DESCRIPTION
1	155-2378	1	Gasket	4	740-1006	3	Washer, Flat (M8)
2	155-2487	1	Muffler	5	155-2451-02	1	Retainer, Bolt
3	718-1808	3	Screw, Cap - Hex Head (M8 x 100mm)				

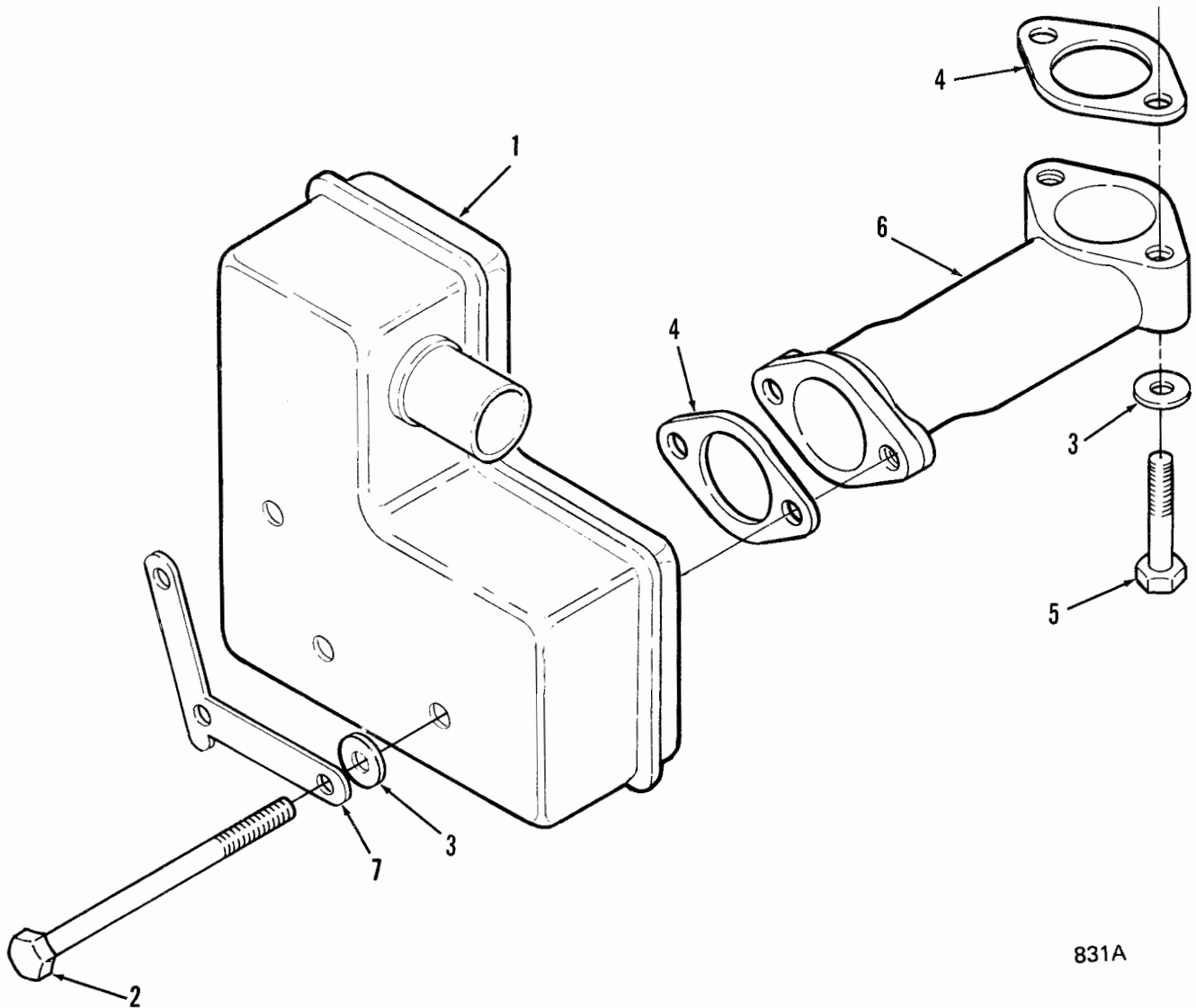
## Muffler (Wide Profile, Side Exhaust)



830A

REF NO.	PART NO.	QTY USED	PART DESCRIPTION	REF NO.	PART NO.	QTY USED	PART DESCRIPTION
1	155-2379	1	Muffler	5	718-1041	2	Screw, Cap - Hex Head (M8 x 45mm)
2	718-1808	3	Screw, Cap - Hex Head (M8 x 100mm)	6	155-2377	1	Elbow, Exhaust
3	740-1006	5	Washer, Flat (M8)	7	155-2451-02	1	Retainer, Bolt
4	155-2378	2	Gasket				

## Muffler (Narrow Profile, Front Exhaust)

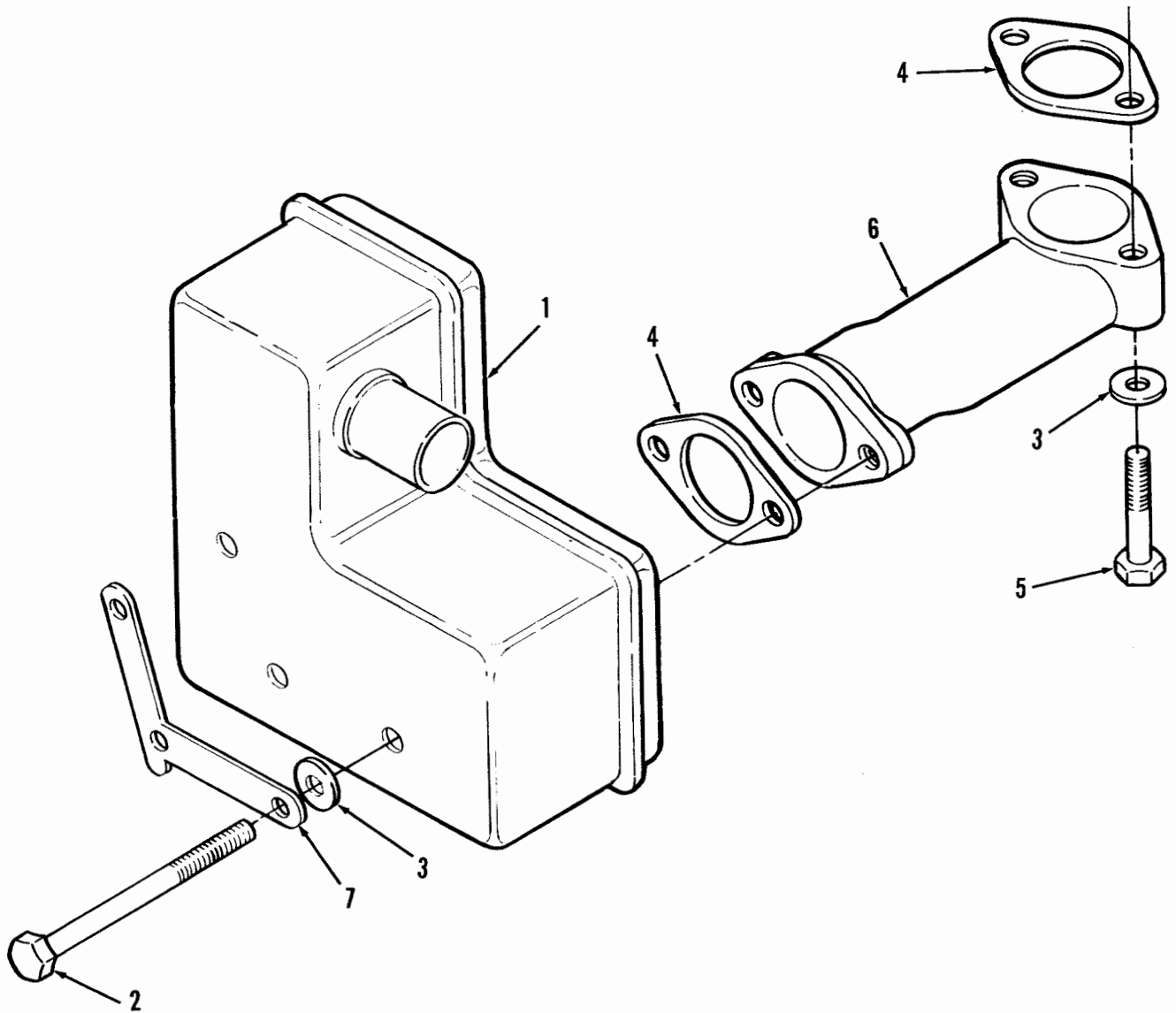


831A

REF NO.	PART NO.	QTY USED	PART DESCRIPTION	REF NO.	PART NO.	QTY USED	PART DESCRIPTION
1	155-2445	1	Muffler	5	718-1041	2	Screw, Cap - Hex Head (M8 x 45mm)
2	718-1047	3	Screw, Cap - Hex Head (M8 x 75mm)	6	155-2377	1	Elbow, Exhaust
3	740-1006	5	Washer, Flat (M8)	7	155-2451-02	1	Retainer, Bolt
4	155-2378	2	Gasket				

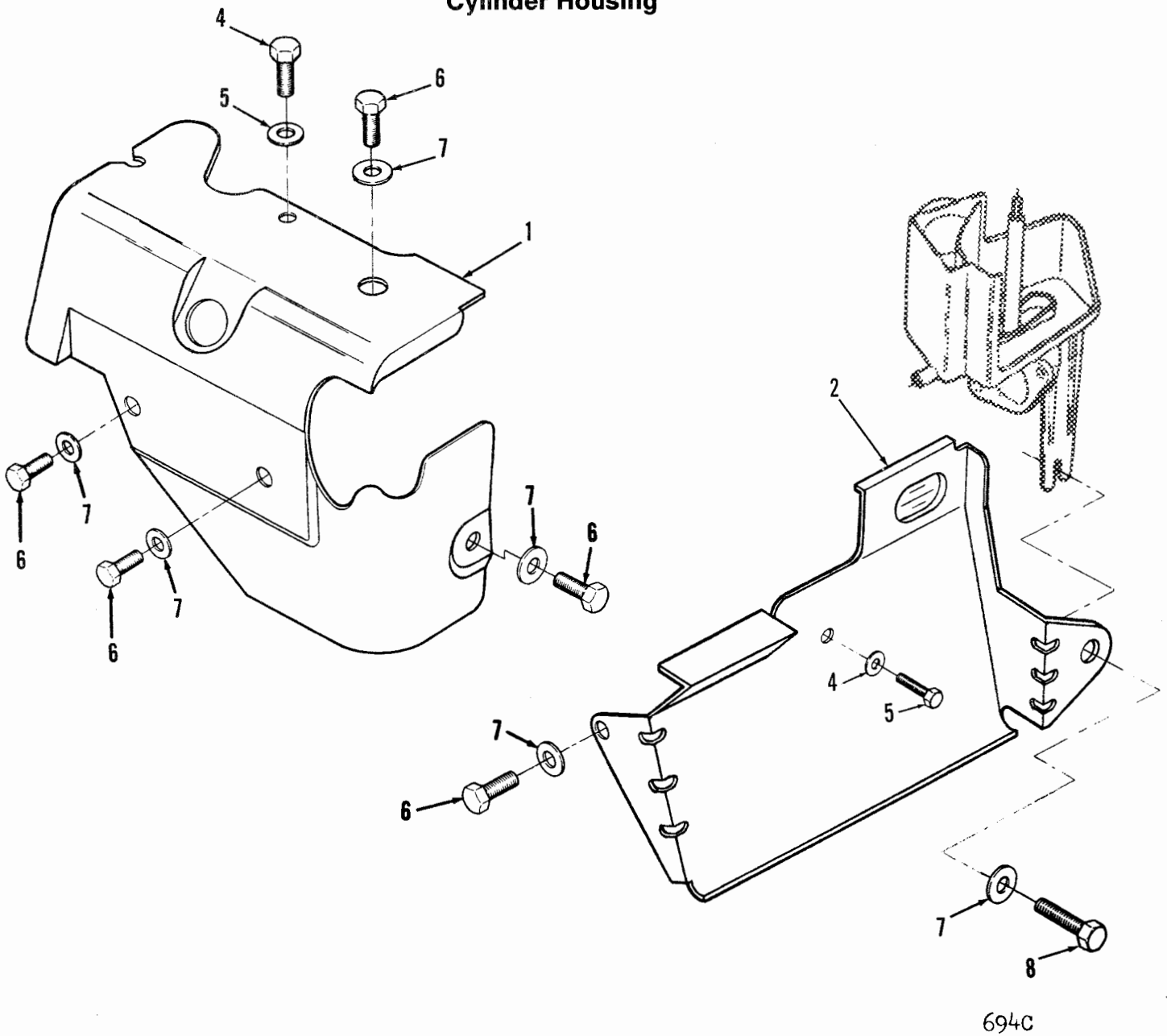


## Muffler (Wide Profile, Front Exhaust)



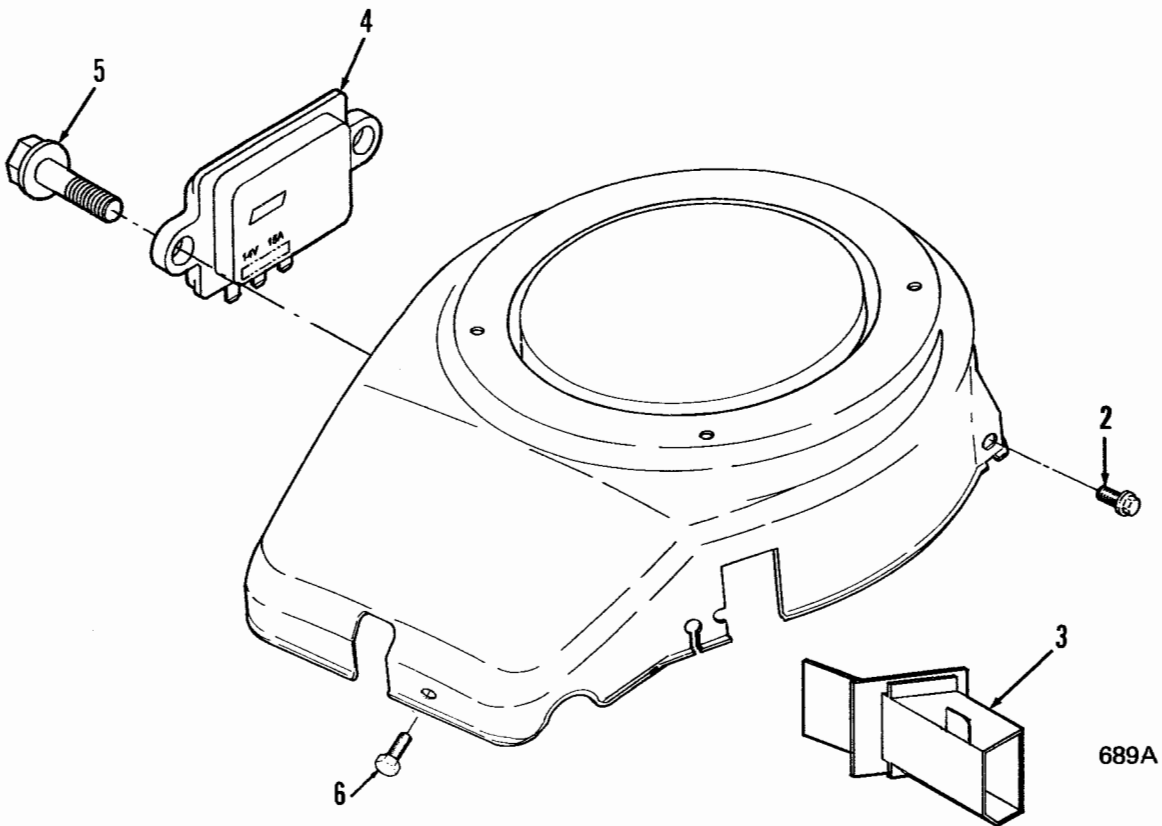
REF NO.	PART NO.	QTY USED	PART DESCRIPTION	REF NO.	PART NO.	QTY USED	PART DESCRIPTION
1	155-2446	1	Muffler	5	718-1041	2	Screw, Cap - Hex Head (M8 x 45mm)
2	718-1808	3	Screw, Cap - Hex Head (M8 x 100mm)	6	155-2377	1	Elbow, Exhaust
3	740-1006	5	Washer, Flat (M8)	7	155-2451-02	1	Retainer, Bolt
4	155-2378	2	Gasket				

## Cylinder Housing



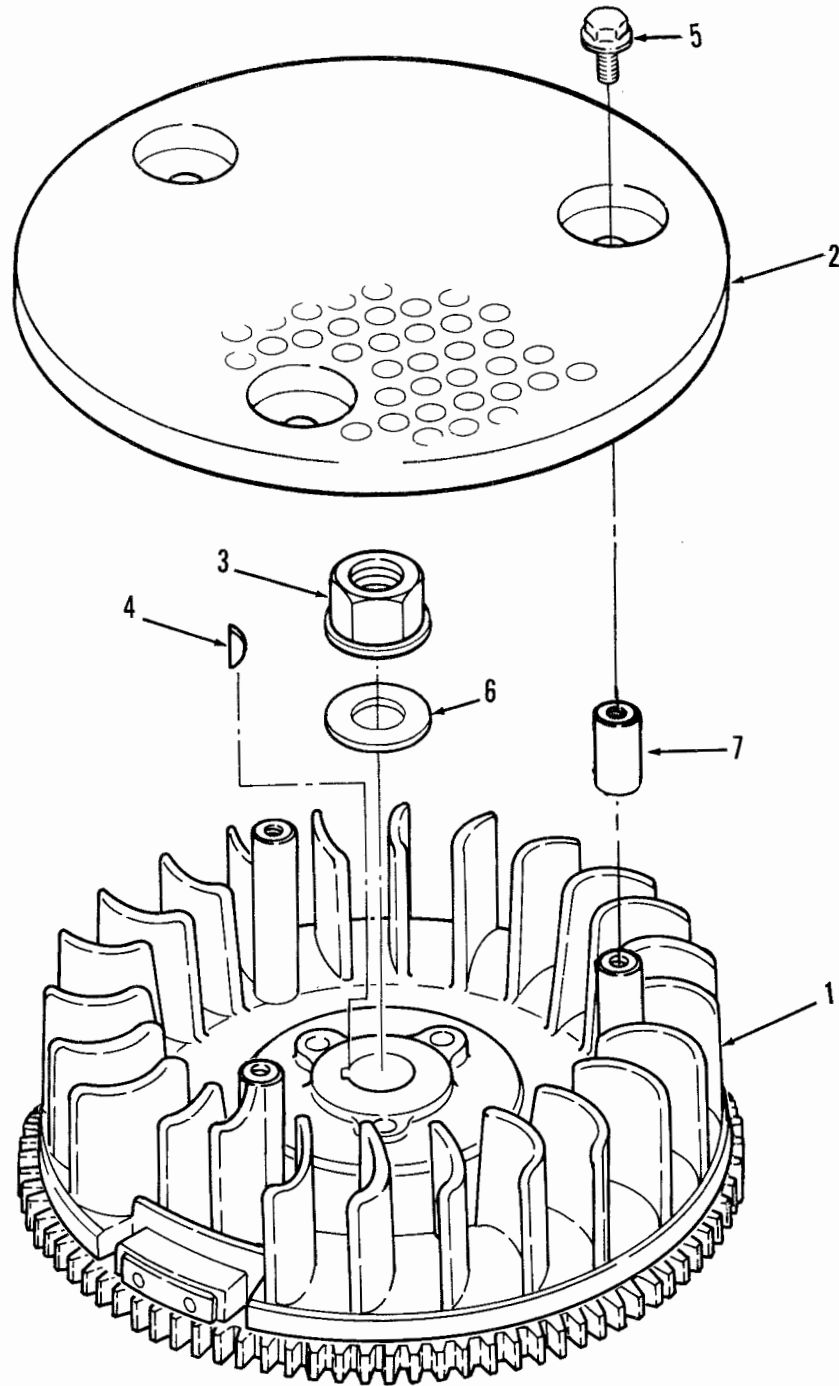
REF NO.	PART NO.	QTY USED	PART DESCRIPTION	REF NO.	PART NO.	QTY USED	PART DESCRIPTION
1	134-4742-50	1	Housing, Cylinder Air	7	740-1006	6	Washer, Flat (M8)
2	134-4743-50	1	Deflector, Air	8			Screw, Cap - Hex Head (M8 x 16mm)
	134-4978-02	1	Spec A and B	718-1035	1		Use as replacement in used Oil Base
4	718-1017	2	Screw, Cap - Hex Head (M6 x 10mm)	815-0809	1		Use on new Oil Base only
5	740-1004	2	Washer, Flat (M6)				
6	718-1032	As needed	Screw, Cap - Hex Head Spec A and B (M8 x 10mm)				
	800-2054	As needed	Spec C (M8 x 14mm)				

## Blower Housing



REF NO.	PART NO.	QTY USED	PART DESCRIPTION	REF NO.	PART NO.	QTY USED	PART DESCRIPTION
1	134-4739-50	1	Housing, Blower Spec A,B - With Cutout for Air Cleaner Tube	3	140-2810	1	Tube, Inlet - Air - Spec C
	134-4739-51	1	Spec A,B - Without Cutout for Air Cleaner Tube	4	191-1970	1	Regulator, Voltage - Spec C
	134-4739-54	1	Spec C - With Voltage Regulator Cutout	5	815-0474	2	Screw, Hex Washer Head - Sheet Metal (1/4-14 x 1/2") (Spec C)
	134-4739-55	1	Spec C - Without Voltage Regulator Cutout	6	815-0753	1	Screw, Self-Tapping (Spec C)
2	815-0756	4	Fastener Spec A,B - Bolt, Flange Hex Head (M6 x 14mm)				
	821-2033	4	Spec C - Screw, Locking - Hex Washer Head (M6 x 16mm)				

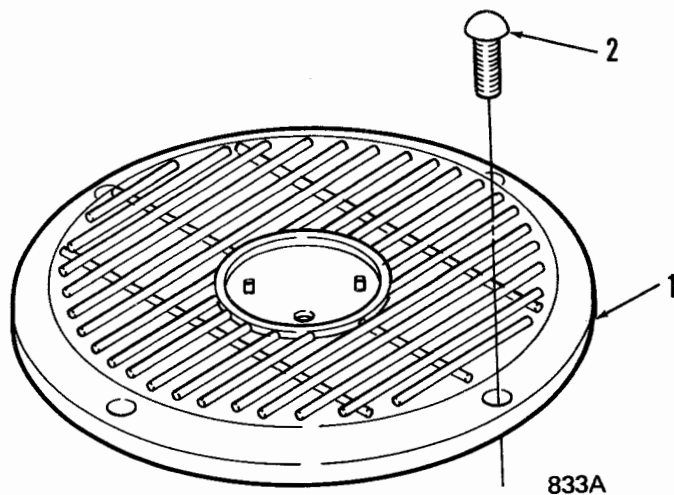
## Blower Wheel



859A

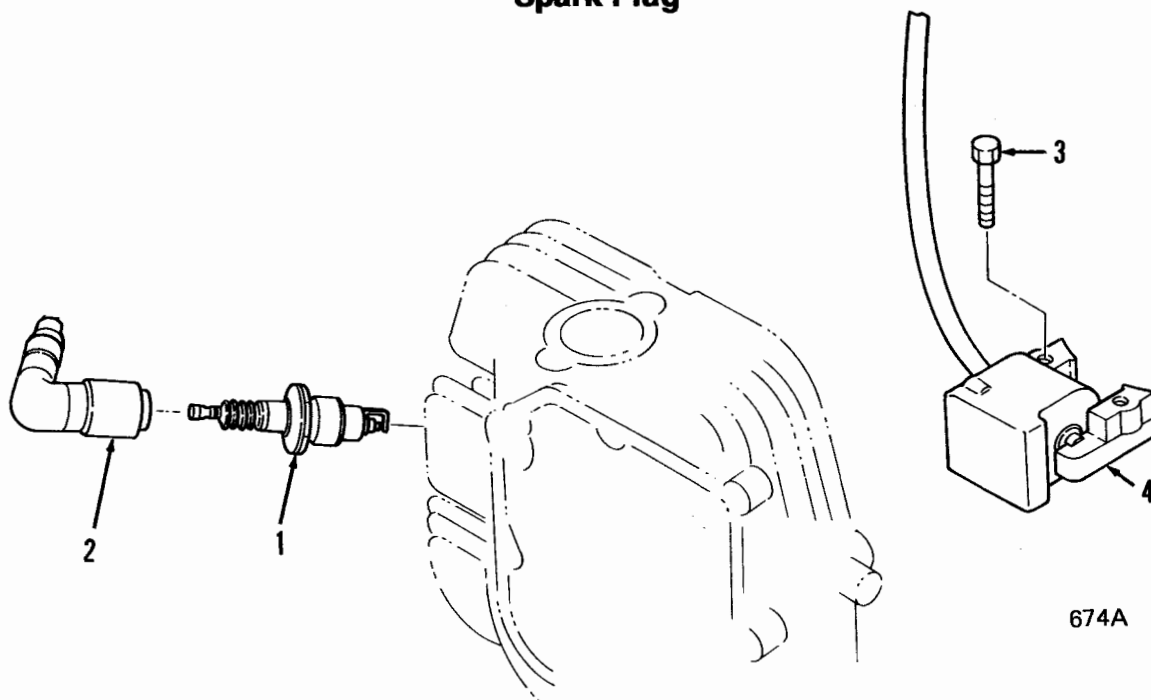
REF NO.	PART NO.	QTY USED	PART DESCRIPTION	REF NO.	PART NO.	QTY USED	PART DESCRIPTION
1			Wheel Assembly, Blower (Includes Magnets and Ring Gear)	2	134-4737-50	1	Screen (Used on Engines with Electric Start)
	134-4775	1	Spec A	3	870-2060	1	Nut, Flange (M18)
	134-4899-00	1	Spec B,C 15 Amp Alternator (31BB), 6 Magnets	4	515-0295	1	Key
	134-4899-01	1	Spec B,C 5 Amp Alternator (31BN), 3 Magnets	5		3	Screw, Cap - Hex Head Spec A (M6 x 30mm)
	134-4899-02	1	Spec B,C No Alternator (31BD) No Magnets No Ring Gear		718-1017	3	Spec B,C (M6 x 10mm)
				6	526-0405	1	Washer, Flat
				7	370-4056	3	Spacer (Spec A)

## Stationary Guard



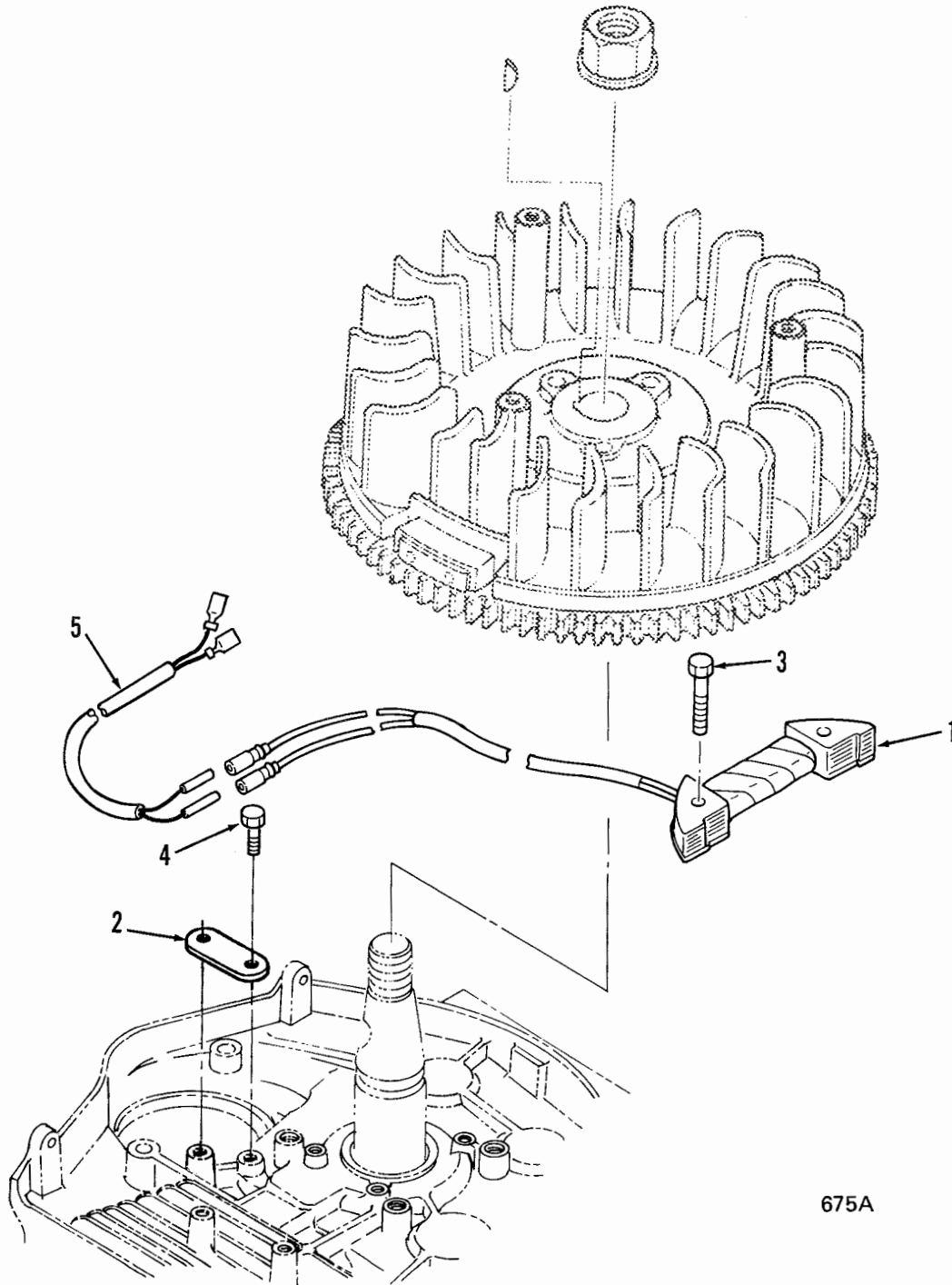
REF NO.	PART NO.	QTY USED	PART DESCRIPTION
1	134-4738	1	Guard, Stationary
2	823-1003	4	Screw, Torx - Button Head (M6 x 20mm)

## Spark Plug



REF NO.	PART NO.	QTY USED	PART DESCRIPTION	REF NO.	PART NO.	QTY USED	PART DESCRIPTION
1	167-0263-02	1	Plug, Spark	4			Coil, Ignition
2	167-1621	1	Lead	166-0799		1	All Specs except 10964C and 11207C
3	815-0754	2	Bolt, Hex Head - Self-Tapping (M6 x 27mm)	166-0835		1	Specs 10964C and 11207C

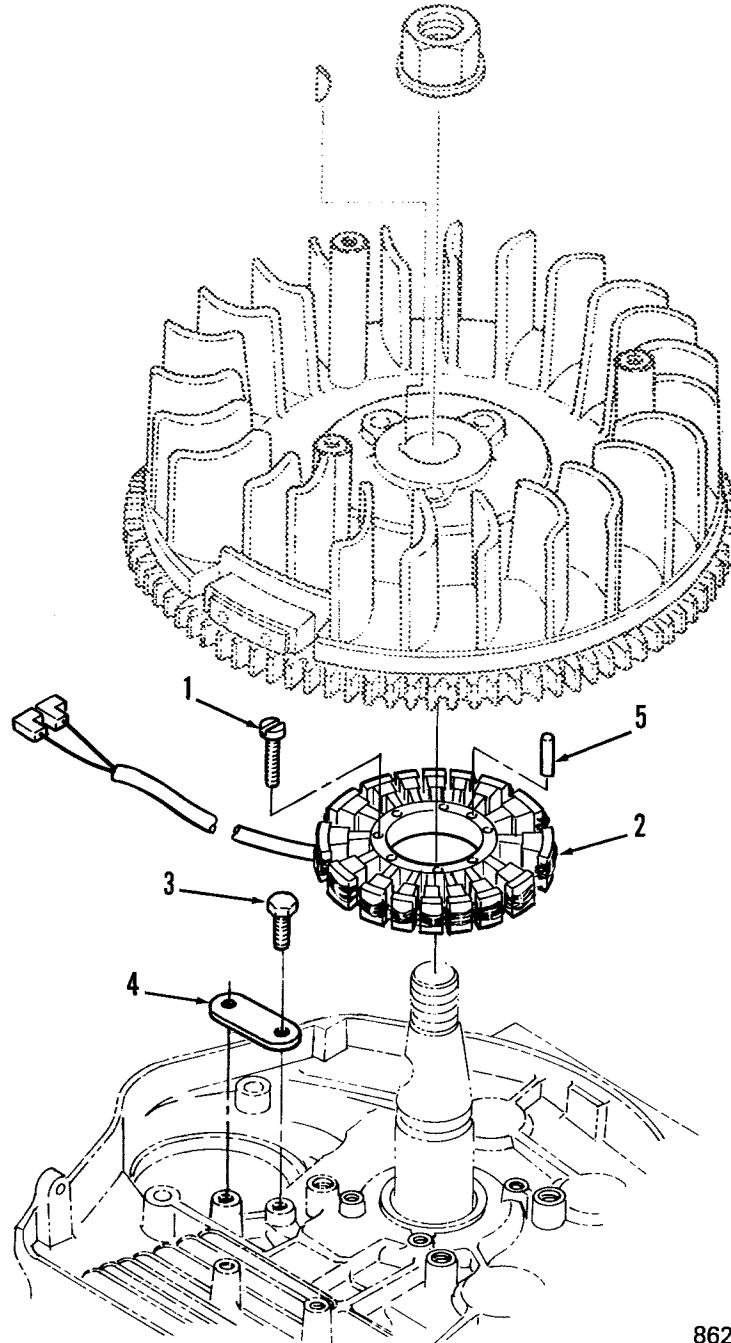
## Alternator (Spec A)



675A

REF NO.	PART NO.	QTY USED	PART DESCRIPTION	REF NO.	PART NO.	QTY USED	PART DESCRIPTION
1	191-1904	1	Stator	5	338-2524	1	Harness, Wiring - Stator to Voltage Regulator - Engines With Voltage Regulator
2	191-1967	1	Clamp, Cord				
3	815-0754	2	Bolt, Hex Head - Self-Tapping (M6 x 27mm)				
4	815-0753	1	Bolt, Hex Head - Self-Tapping (M6 x 14mm)				

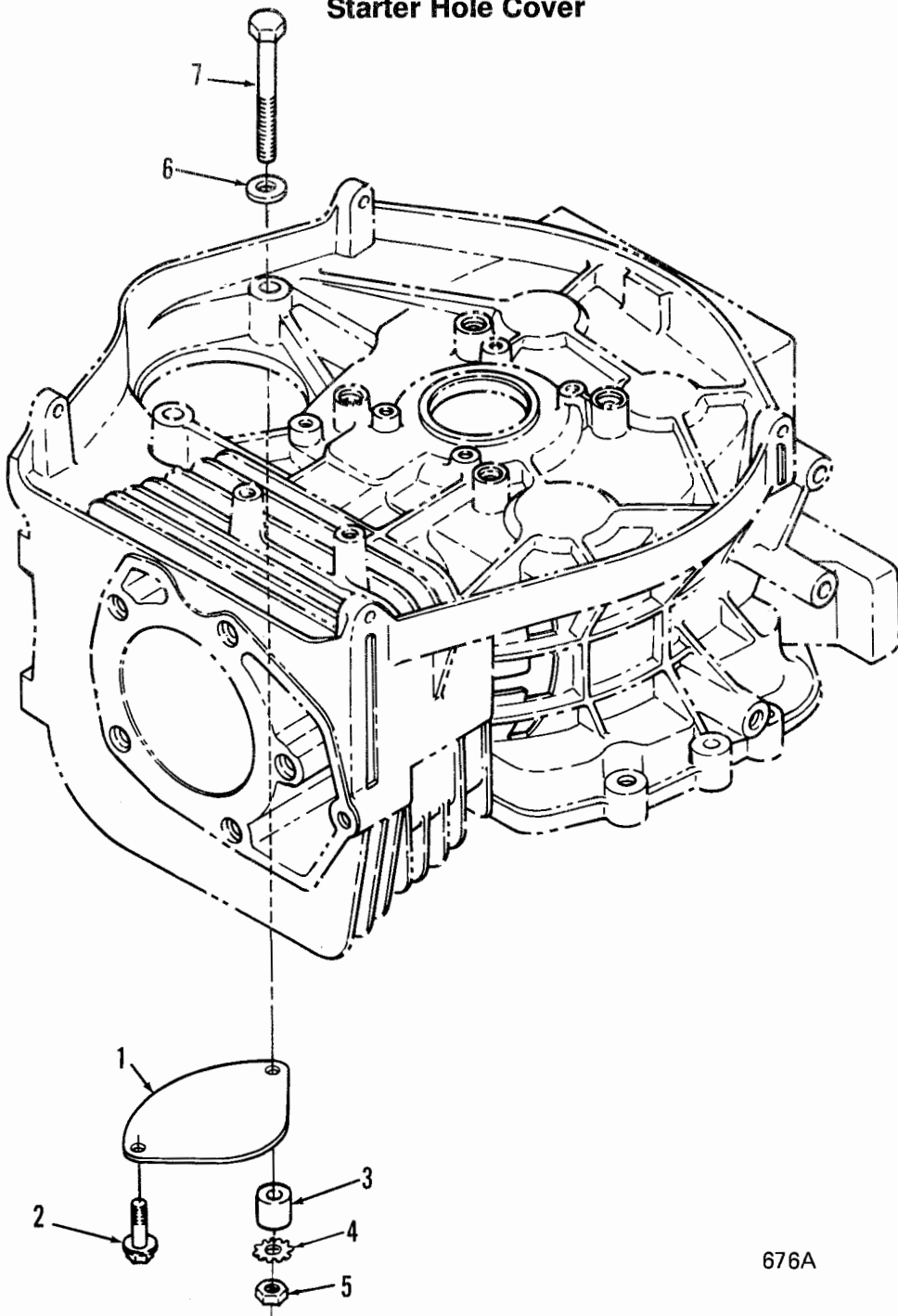
## Alternator (Spec B and C)



862B

REF NO.	PART NO.	QTY USED	PART DESCRIPTION	REF NO.	PART NO.	QTY USED	PART DESCRIPTION
1	823-0003-03	2	Screw, Torx Drive - Pan Head (M6 x 20mm)	3	815-0753	1	Bolt, Self-Tapping - Hex Head (M6 x 14mm)
2			Stator	4	191-1967	1	Clamp, Cord
	191-1456-02	1	Spec B	5	775-0061	2	Pin, Alignment
	191-1456-03	1	Spec C				

### Starter Hole Cover

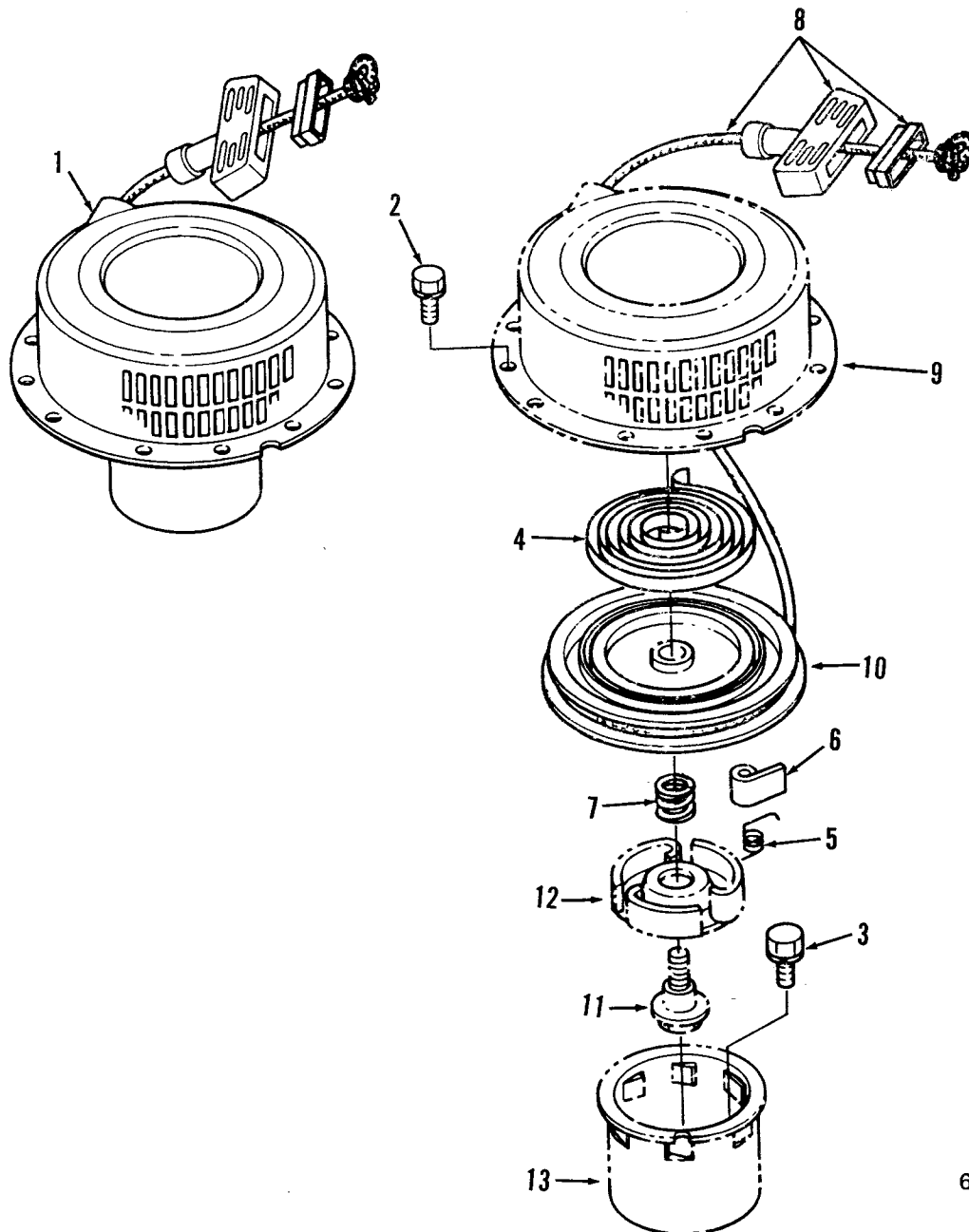


676A

REF NO.	PART NO.	QTY USED	PART DESCRIPTION	REF NO.	PART NO.	QTY USED	PART DESCRIPTION
1	191-1924	1	Cover, Hole-Starter	4	853-0016	1	Washer, Lock - ET (5/16")
2			Screw, Cap-Hex Washer Head-Thread Forming (3/8-16 x 3/4")	5	860-2008	1	Nut, Hex (M8)
	815-0384	2	Spec A	6	740-1006	1	Washer, Flat (M8) Begin Spec B
	815-0384	1	Begin Spec B	7	718-1044	1	Screw, Cap-Hex Head (M8 x 60MM) Begin Spec B
3	370-4064	1	Spacer, Starter - Begin Spec B				



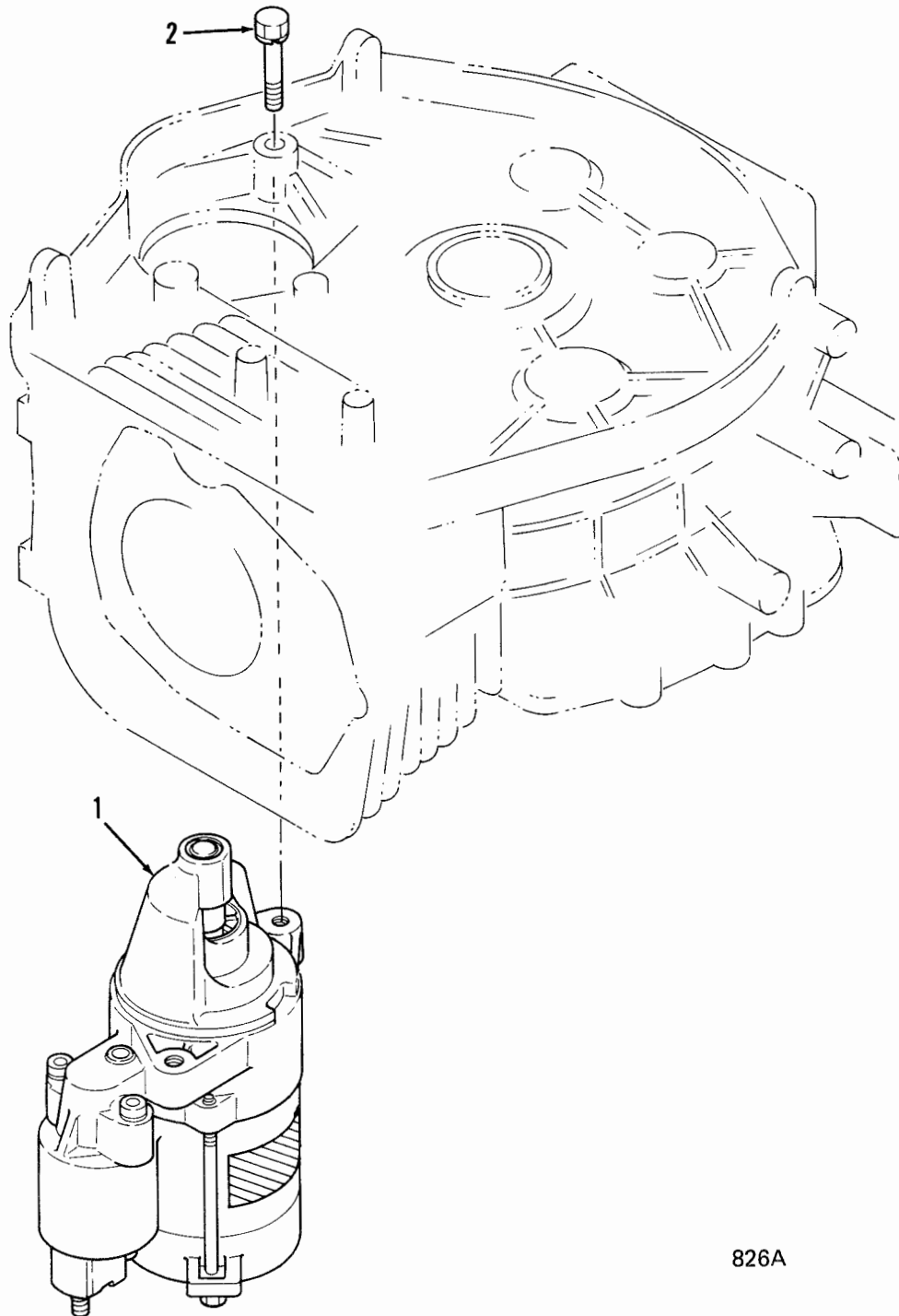
## Recoil Starter



677A

REF NO.	PART NO.	QTY USED	PART DESCRIPTION	REF NO.	PART NO.	QTY USED	PART DESCRIPTION
1	192-0433	1	Starter Assembly, Recoil (Complete)	7	192-0439	1	Spring, Brake
2	815-0773	4	Bolt, Flanged - Hex Head (M6 x 8mm)	8	192-0444	1	Handle Assembly (Includes Handle, Rope and Reinforcement)
3	821-2045	3	Screw, Self-Locking - Hex Head Flange (M8 x 16mm)	9	192-0434	1	Case, Assembly
4	192-0435	1	Spring, Spiral	10	192-0436	1	Reel
5	192-0437	3	Spring, Dog	11	192-0440	1	Screw, Center
6	192-0438	3	Dog	12	192-0441	1	Retainer
				13	192-0443	1	Crank Pulley

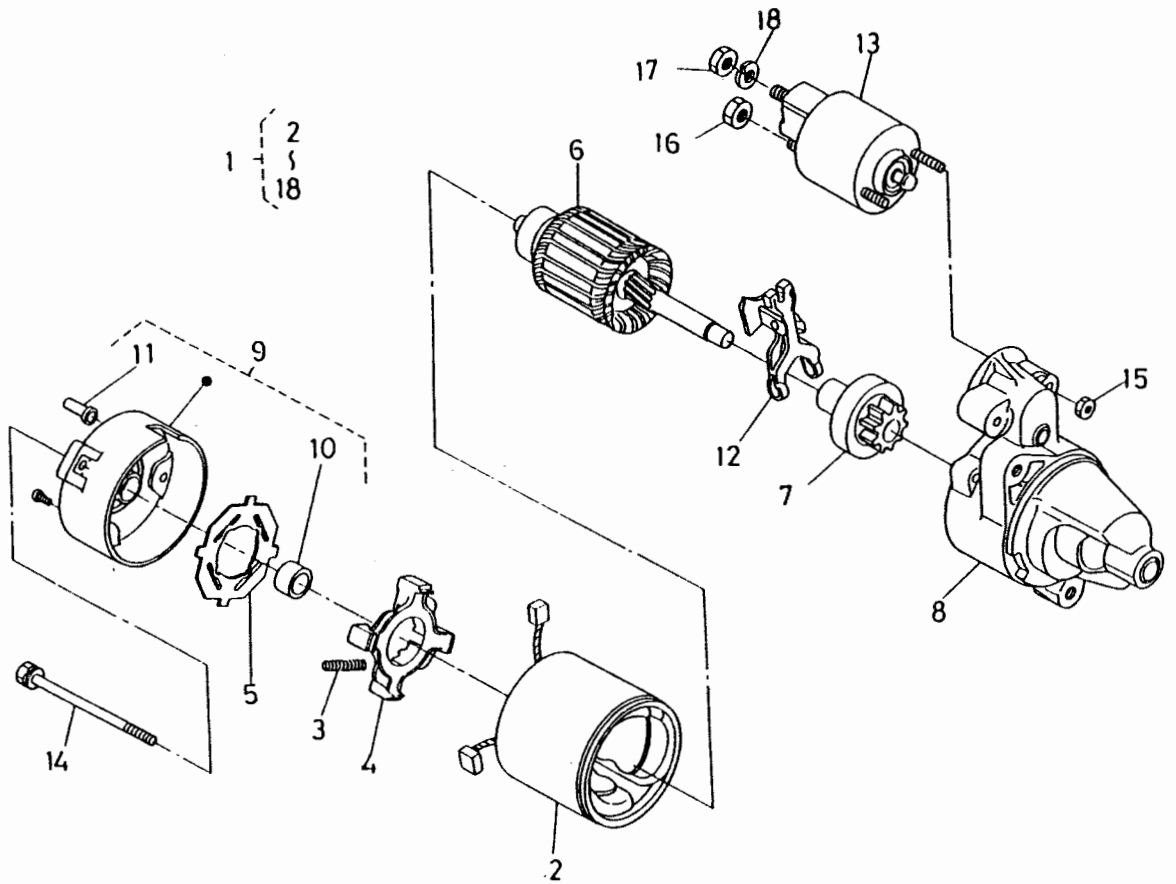
## Starter Mounting



826A

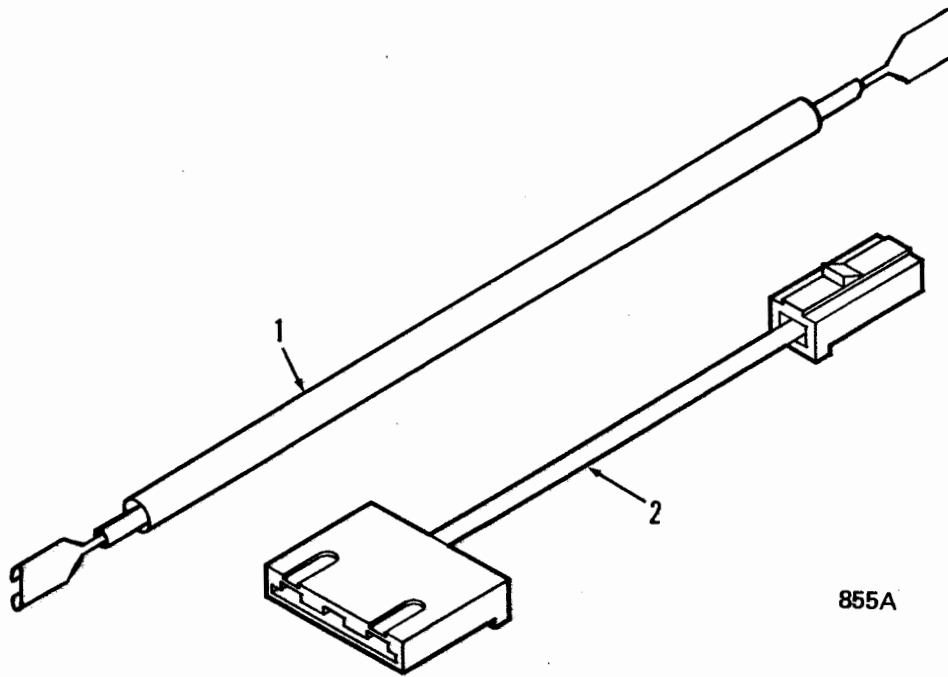
REF NO.	PART NO.	QTY USED	PART DESCRIPTION
1	191-1906	1	Starter (Complete)
2	718-1814	2	Screw, Cap - Hex Head (M8 x 50mm)

# Starter



REF NO.	PART NO.	QTY USED	PART DESCRIPTION	REF NO.	PART NO.	QTY USED	PART DESCRIPTION
1	191-1906	1	Starter	10	185-2663	1	Bearing, Oilless
2	185-2659	1	Frame, Starter	11	185-2965	1	Cover
3	185-2662	4	Spring, Brush	12	185-2656	1	Lever, Drive - Starter
4	185-2661	1	Holder, Brush	13	185-2658	1	Switch, Magnetic
5	185-2664	1	Insulator	14	185-2660	2	Bolt, Through
6	185-2657	1	Armature, Starter	15	185-2334	2	Nut
7		1	Clutch, Sub	16	185-2669	1	Nut
8		1	Housing, Starter	17	185-2367	1	Nut
9	185-2707	1	Frame, Commutator	18	185-2381	1	Washer, Spring

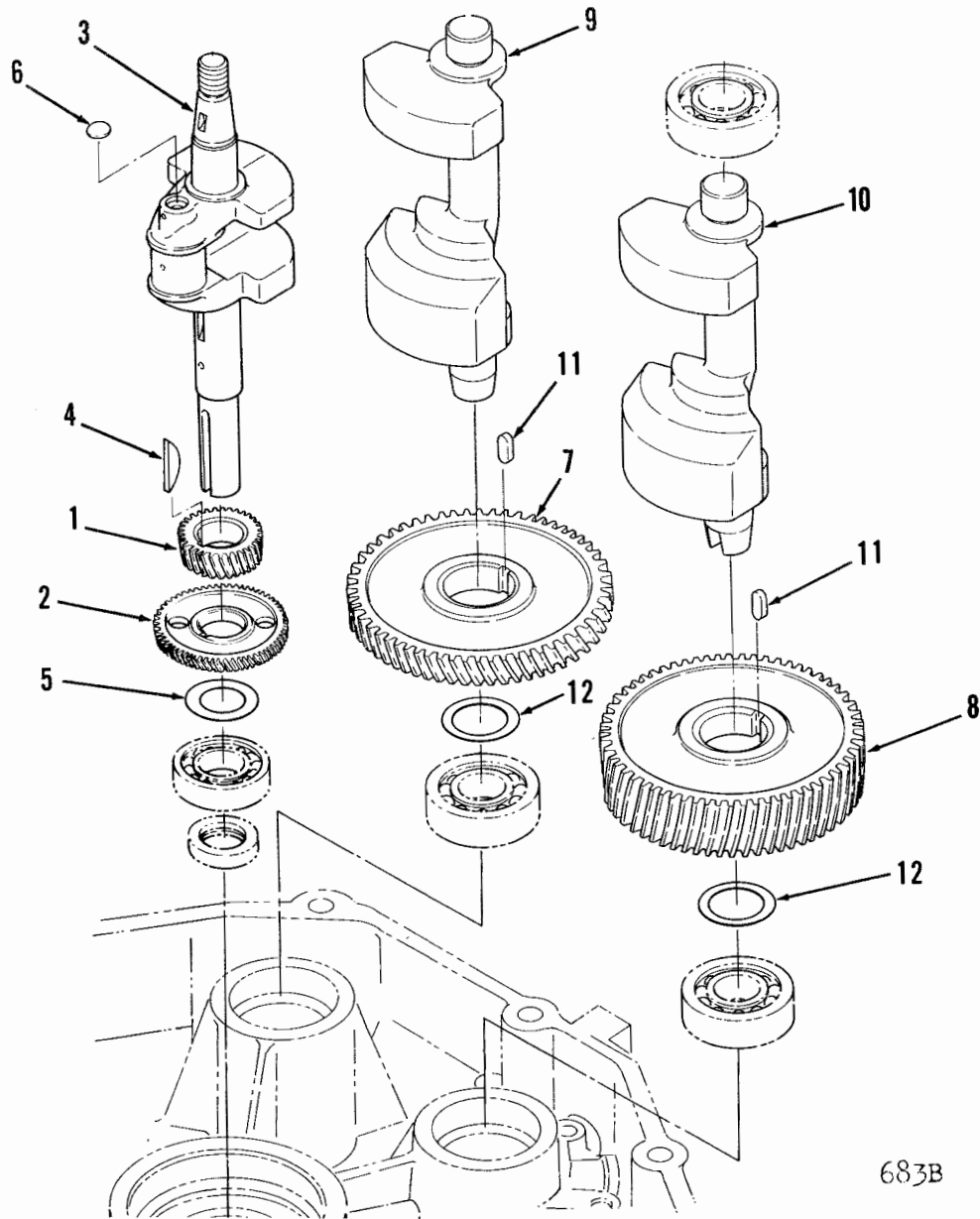
## Wiring Harness



855A

REF No.	PART NO.	QTY USED	PART DESCRIPTION
1	338-2527	1	Harness, Wiring - Regulator B+ Terminal - Spec A,B
2	338-2840	1	Harness, Wiring Spec C (without Sales Code 35CE)
	338-2870	1	Spec C (with Sales Code 35CE)

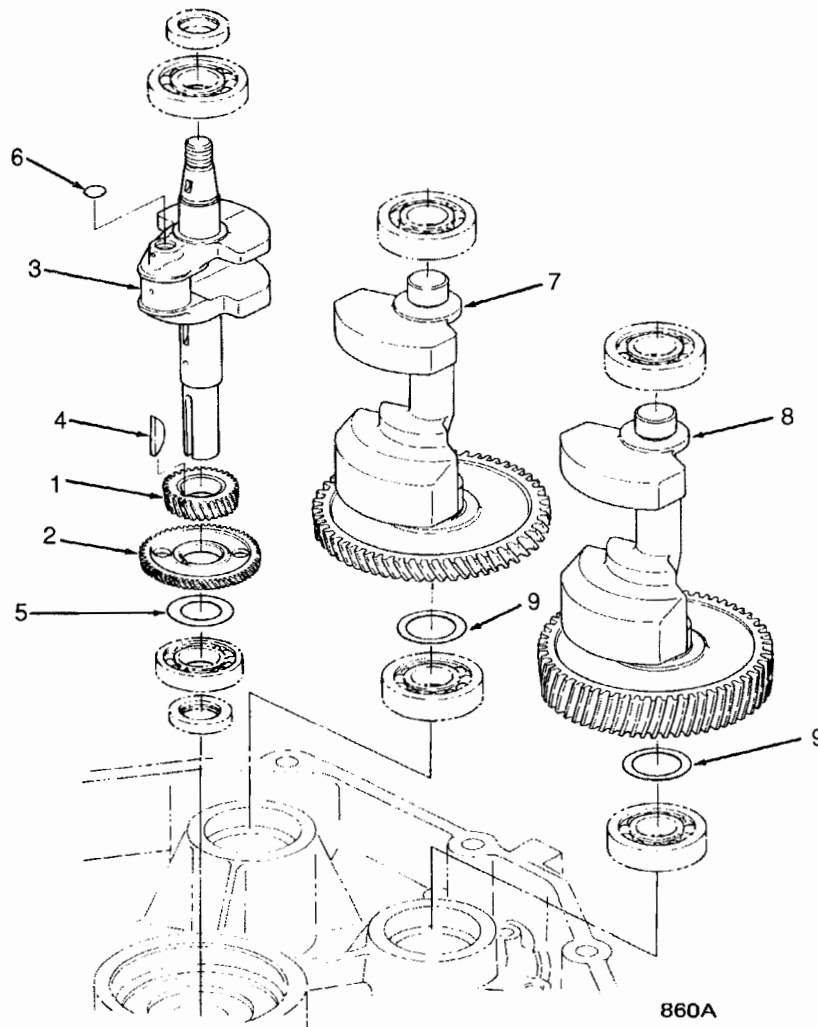
### Crankshaft (Spec A)



683B

REF NO.	PART NO.	QTY USED	PART DESCRIPTION	REF NO.	PART NO.	QTY USED	PART DESCRIPTION
1	104-1719	1	*Gear, Crankshaft	7	104-1722	1	Gear, Balancer
2	104-1720	1	*Gear, Balancer	8	104-1723	1	Gear, Balancer
3	104-1717	1	Crankshaft Assy (Includes items marked *)	9	104-1725	1	Shaft, Balancer
4	515-0293	1	*Key - Crankshaft Gear	10	104-1724	1	Shaft, Balancer
5			Shim - Crankshaft (Use as Required)	11	515-0296	2	Key - Balancer Gear
	104-1721-01	1	0.2mm Thick	12			Shim - Balancer Shaft (Use as Required)
	104-1721-02	1	0.3mm Thick		104-1726-01	2	0.5mm Thick
	104-1721-03	1	0.4mm Thick		104-1726-02	2	0.6mm Thick
	104-1721-05	1	0.5mm Thick		104-1726-03	2	0.7mm Thick
	104-1721-07	1	0.7mm Thick		104-1726-04	2	0.8mm Thick
	104-1721-08	1	0.8mm Thick		104-1726-05	2	0.9mm Thick
6	104-1718	1	*Plug, Expansion		104-1726-06	2	1.0mm Thick
					104-1726-07	2	1.2mm Thick

## Crankshaft (Spec B & C)



REF NO.	PART NO.	QTY USED	PART DESCRIPTION	REF NO.	PART NO.	QTY USED	PART DESCRIPTION
1	104-1719	1	*Gear, Crankshaft	7	104-1827-02	1	Shaft Assy, Balancer (Includes Gear)
2	104-1720	1	*Gear, Balancer	8	104-1827-01	1	Shaft Assy, Balancer (Includes Gear)
3	104-1717	1	Crankshaft Assy (Includes items marked *)	9			Shim - Balancer Shaft (Use as Required)
4	515-0293	1	*Key - Crankshaft Gear	104-1809-01	2	0.5mm Thick	
5			Shim - Crankshaft (Use as Required)	104-1809-02	2	0.6mm Thick	
	104-1721-01	1	0.2mm Thick	104-1809-03	2	0.7mm Thick	
	104-1721-02		0.3mm Thick	104-1809-04	2	0.8mm Thick	
	104-1721-03	1	0.4mm Thick	104-1809-05	2	0.9mm Thick	
	104-1721-05	1	0.5mm Thick	104-1809-06	2	1.0mm Thick	
	104-1721-07	1	0.7mm Thick	104-1809-07	2	1.2mm Thick	
	104-1721-08	1	0.8mm Thick				
6	104-1718	1	*Plug, Expansion				

## Labels, Paint, Thread Sealant and Gasket Kits

REF NO.	PART NO.	QTY USED	PART DESCRIPTION	REF NO.	PART NO.	QTY USED	PART DESCRIPTION
			Label, Model Identification	509-0252		1	*O-Ring - Oil Pickup
98-5975-01		1	E125 Used on Blower Housing	509-0253		1	*O-Ring - Oil Pump
98-5975-02		1	E125 Used on Air Cleaner	509-0254		1	*O-Ring - Oil Fill
			Cover	509-0258		1	*Seal, Oil
98-6378-01		1	E140 Used on Blower Housing	168-0211		1	Kit, Valve Grind Gasket
98-6378-02		1	E140 Used on Air Cleaner				(Includes Parts Marked #)
			Cover	110-3586		1	#Seal, Valve Stem
525-0394		-	Paint, Black - Enamel	110-3591		1	#Gasket, Cylinder Head
			(16 oz. Pressurized Spray	110-3830		1	#Gasket, Cylinder Head Cover
			Can)	146-0584		1	#Gasket, Intake
518-0452		-	Sealant, Thread (50 cc Bottle)	155-2378		1	#Gasket, Exhaust Manifold
541-0313		1	Kit, Field Conversion - To	168-0212		1	Kit, Engine Gasket (Spec C)
			Electric Starter				(Includes Parts Marked +)
168-0186		1	Kit, Gasket - Engine	102-1437		1	+Gasket Set, Engine
			(Spec A,B) (Includes	110-3586		1	+Seal, Valve Stem
			Parts Marked *)	110-3591		1	+Gasket, Cylinder Head
102-1365		1	*Gasket, Oil Drain Flange	140-2772		1	+Gasket, Air Cleaner
110-3586		1	*Seal, Intake Valve Stem	150-2547		1	+Retainer, Governor Gear
110-3588		1	*Gasket, Oil Base	155-2378		1	+Gasket, Exhaust Manifold
110-3591		1	*Gasket, Cylinder Head	508-1076		1	+Grommet, Fuel Pump
110-3830		1	*Gasket, Cylinder Head Cover	509-0142		1	+O-Ring
120-1221		1	*Gasket, Copper	509-0253		1	+O-Ring
140-2329		1	*Gasket, Air Cleaner Adapter	509-0255		1	+Seal, Governor Shaft
146-0484		1	*Gasket, Intake Elbow	509-0258		1	+Seal, Oil
146-0486		2	*Gasket, Insulation	509-0269		1	+Seal, Oil Fill Tube
155-2378		1	*Gasket, Exhaust Elbow				

# Numerical Index

<u>Part No.</u>	<u>Page</u>	<u>Part No.</u>	<u>Page</u>	<u>Part No.</u>	<u>Page</u>	<u>Part No.</u>	<u>Page</u>
098-5975-01, 41		104-1827-02, 40		112-0276, 4		123-1940, 13	
098-5975-02, 41		105-0649-01, 14		112-0276-01, 4		134-4737-50, 30	
098-6378-01, 41		105-0649-02, 14		112-0276-02, 4		134-4738, 31	
098-6378-02, 41		105-0649-03, 14		113-0330, 4		134-4739-50, 29	
102-1365, 17, 41		105-0649-04, 14		113-0330-01, 4		134-4739-51, 29	
102-1372, 17		105-0649-05, 14		113-0330-02, 4		134-4739-54, 29	
102-1375, 17		105-0649-06, 14		114-0355, 4		134-4739-55, 29	
102-1379, 17, 19		105-0657, 14		114-0356, 4		134-4742-50, 28	
102-1382, 17		105-0658, 14		114-0357, 4		134-4743-50, 28	
102-1418-01, 19		105-0693-02, 14		114-0357-01, 4		134-4775, 30	
102-1437, 41		110-2752, 3		114-0357-02, 4		134-4899-00, 30	
104-1717, 39, 40		110-3578, 3		115-0423, 3		134-4899-01, 30	
104-1718, 39, 40		110-3579, 3		115-0424, 3		134-4899-02, 30	
104-1719, 39, 40		110-3580, 3		115-0426, 3		134-4978-02, 28	
104-1720, 39, 40		110-3581, 3		115-0427, 3		140-2329, 11, 41	
104-1721-01, 39, 40		110-3582, 3		115-0428, 3		140-2333, 12	
104-1721-02, 40		110-3583, 3		115-0429, 3		140-2335, 11	
104-1721-03, 39, 40		110-3585, 3		115-0473, 3		140-2383, 11	
104-1721-05, 39, 40		110-3586, 3, 41		120-0140, 19		140-2527, 11	
104-1721-07, 39, 40		110-3587, 3		120-1216, 17		140-2533, 11	
104-1721-08, 39, 40		110-3588, 17, 19, 41		120-1217, 17, 19		140-2534, 11	
104-1722, 39		110-3591, 3, 41		120-1218, 17, 19		140-2535, 11	
104-1723, 39		110-3593, 3		120-1219, 17		140-2536-04, 13	
104-1724, 39		110-3594, 3		120-1220, 17		140-2537, 13	
104-1725, 39		110-3595, 3		120-1221, 17, 41		140-2584-50, 11	
104-1726-01, 39		110-3596, 3		120-1225, 17		140-2595, 11	
104-1726-02, 39		110-3598, 3, 41		120-1236, 19		140-2650, 11	
104-1726-03, 39		110-3615, 1, 3		120-1237, 19		140-2657, 11	
104-1726-04, 39		110-3693, 3		122-0737, 19		140-2659, 11	
104-1726-05, 39		110-3694, 3		122-0737-01, 19		140-2672, 13	
104-1726-06, 39		110-3710, 3		122-0770, 19		140-2674-01, 13	
104-1726-07, 39		110-3740, 3		123-1836, 3		140-2675, 13	
104-1809-01, 40		110-3822, 3		123-1840, 20		140-2676, 13	
104-1809-02, 40		110-3825, 3		123-1841, 20		140-2716-02, 13	
104-1809-03, 40		110-3826, 3		123-1873-02, 21		140-2748, 13	
104-1809-04, 40		110-3827, 3		123-1874, 22		140-2772, 13, 41	
104-1809-05, 40		110-3828, 3		123-1875, 21		140-2810, 29	
104-1809-06, 40		110-3830, 3, 41		123-1876, 21		145-0678-02, 13	
104-1809-07, 40		112-0244, 4		123-1913, 11		146-0484, 12, 13, 41	
104-1827-01, 40		112-0245, 4		123-1915-50, 22		146-0485, 12	



# Numerical Index

<u>Part No.</u>	<u>Page</u>	<u>Part No.</u>	<u>Page</u>	<u>Part No.</u>	<u>Page</u>	<u>Part No.</u>	<u>Page</u>
146-0486,	12, 41	152-0319,	7	185-2663,	37	503-1422,	8
146-0489,	12	152-0326,	7	185-2664,	37	503-1445-03,	11
146-0518,	12	152-0330,	7	185-2669,	37	503-1445-04,	11, 13
146-0526,	12	152-0343,	7, 12, 13	185-2707,	37	503-1767,	8
146-0559,	12	153-0514,	5	185-2965,	37	505-0110,	17, 19
146-0560,	12	153-0621,	5, 7	191-1456-02,	33	505-0266,	19
146-0561,	12	153-0623,	5	191-1456-03,	33	505-0274,	1, 8, 17
146-0567,	13	153-0630,	7	191-1748,	12	505-1426,	19
146-0568,	13	153-0632,	7	191-1904,	32	508-0012,	11
146-0571-01,	13	153-0633-01,	7	191-1906,	36	508-1076,	8, 41
146-0571-02,	13	153-0650,	7	191-1924,	34	509-0142,	21, 22, 41
146-0584,	41	154-2792,	12	191-1967,	32, 33	509-0252,	17, 41
146-0604,	13	154-2847,	13	191-1970,	29	509-0253,	17, 19, 41
146-0605,	13	155-2377,	23, 25, 26, 27	192-0433,	35	509-0254,	20, 41
149-2206-01,	12	155-2378,	23, 24, 25, 26, 27, 41	192-0434,	35	509-0255,	1, 41
149-2299,	8	155-2379,	25	192-0435,	35	509-0258,	1, 17, 19, 41
149-2356,	8	155-2445,	26	192-0436,	35	509-0269,	21, 22, 41
149-2371,	8	155-2446,	27	192-0437,	35	510-0043,	19
149-2422,	8	155-2451-02,	24, 25, 26	192-0438,	35	510-0160,	1
150-1269,	12	155-2487,	24	192-0439,	35	510-0161,	17, 19
150-2272,	17, 19	166-0799,	31	192-0440,	35	510-0162,	1
150-2273,	17, 19	166-0835,	31	192-0441,	35	510-0163,	1, 17, 19
150-2274,	17, 19	167-0263-02,	31	192-0443,	35	515-0293,	39, 40
150-2275,	17, 19	167-1621,	31	192-0444,	35	515-0294,	14
150-2279,	5	168-0186,	41	309-0606,	19	515-0295,	30
150-2287,	14	168-0211,	41	338-2524,	32	515-0296,	39
150-2290,	5, 7	168-0212,	41	338-2527,	38	516-0059,	5, 7
150-2303,	14	170-4385-03,	3	338-2840,	38	516-2004,	3
150-2304,	14	185-2334,	37	338-2870,	38	517-0067,	19
150-2308,	5	185-2367,	37	370-4056,	30	518-0452,	41
150-2338,	7	185-2381,	37	370-4057,	5, 7	518-0515,	8
150-2351,	7	185-2493,	37	370-4064,	34	518-0560,	19
150-2515,	7	185-2656,	37	502-0153,	19	518-0566,	3
150-2529,	14	185-2657,	37	502-0313,	8	518-0576,	14
150-2530,	19	185-2658,	37	502-1111,	3	518-0594,	7
150-2547,	19, 41	185-2659,	37	503-0663,	8	520-2033,	12
150-2548,	7	185-2660,	37	503-0685,	3, 11	520-2212,	5, 7
152-0155,	5	185-2661,	37	503-0692,	3, 11	525-0394,	41
152-0316,	5	185-2662,	37	503-0731,	8, 12	526-0115,	12
152-0317,	5			503-0769,	3	526-0140,	5, 7

# Numerical Index

<u>Part No.</u>	<u>Page</u>	<u>Part No.</u>	<u>Page</u>	<u>Part No.</u>	<u>Page</u>	<u>Part No.</u>	<u>Page</u>
526-0405,	30	815-0758,	5				
526-2077,	17, 19	815-0773,	35				
526-2078,	17, 19	815-0775,	8				
541-0313,	41	815-0776,	5, 7				
541-0376,	23	815-0779,	7				
718-1017,	28, 30	815-0809,	28				
718-1019,	17	815-0816,	13				
718-1032,	28	821-0011,	12				
718-1035,	28	821-2033,	29				
718-1039,	5	821-2045,	35				
718-1041,	23, 25, 26, 27	823-0003-02,	19				
718-1044,	34	823-0003-03,	33				
718-1047,	26	823-1003,	31				
718-1808,	11, 24, 25, 27	853-0016,	7, 21				
718-1814,	36	854-0010,	8				
720-1019,	17	860-0011,	8				
725-1029,	3	860-2008,	7, 21				
740-1004,	3, 5, 7, 13, 17, 28	870-0410,	21				
740-1006,	5, 7, 11, 14, 23, 24, 25, 26, 27, 28, 34	870-0465,	5				
		870-0506,	14				
		870-2060,	30				
740-1008,	3						
750-1004,	5, 7						
775-0061,	33						
775-0069,	19						
775-0074,	1						
800-2035,	17						
800-2036,	30						
800-2054,	28						
800-2062,	7						
800-2063,	12						
800-4072,	7						
815-0359,	7						
815-0384,	34						
815-0474,	13, 29						
815-0576,	21						
815-0602,	5						
815-0753,	29, 32, 33						
815-0754,	31, 32						
815-0756,	29						

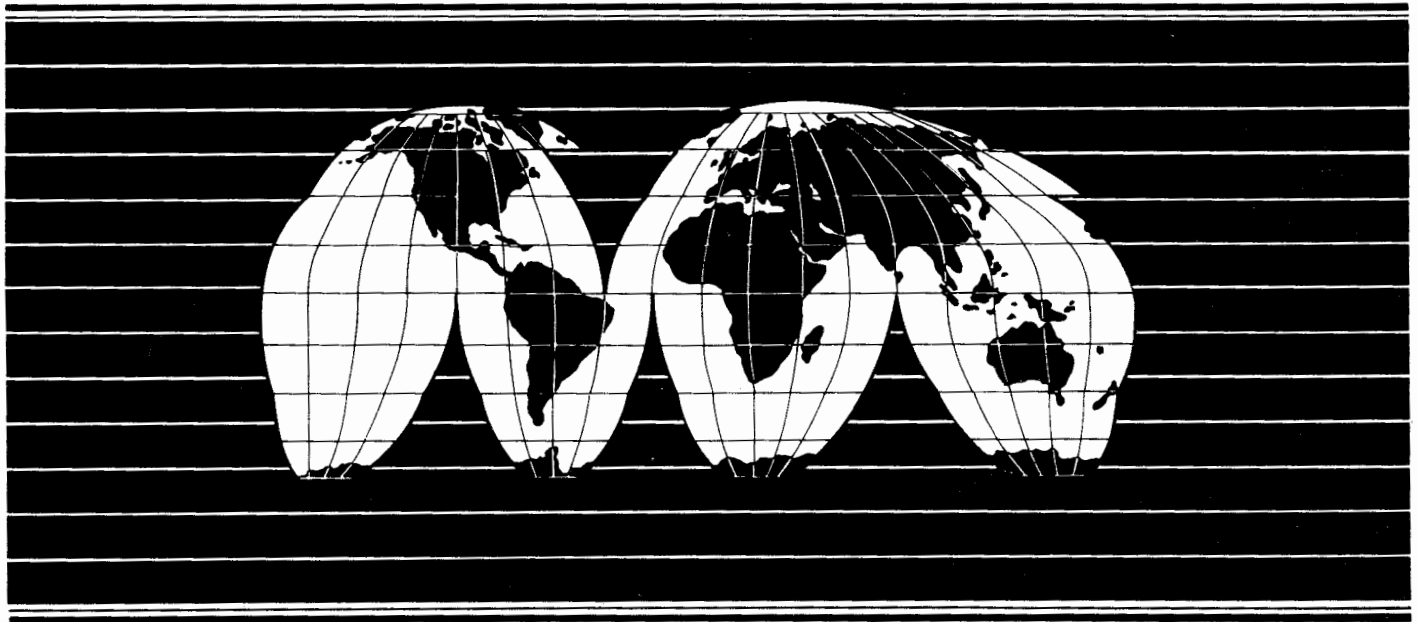




Onan Corporation  
1400 73rd Avenue N.E.  
Minneapolis, MN 55432

---

# World Wide **Parts and Service**



Telephone: 1-800-888-ONAN  
Telex: 275477  
Cable: ONAN

---