

The following catalog has gaps in its page numbers, or doesn't have any numbers. We have chosen to leave the page numbering in the order that Acrobat assigns it.

PARTS CATALOG

FOR



ELECTRIC GENERATING SETS

DYH

SERIES

SPECIFICATION A

ONAN

1400 73RD AVENUE N.E. • MINNEAPOLIS, MINNESOTA 55432

A DIVISION OF ONAN CORPORATION

973-308 |



A1

10A72 Printed in U.S.A.

Redistribution or publication of this document by any means, is strictly prohibited.

PARTS CATALOG

INSTRUCTIONS FOR ORDERING REPAIR PARTS

ONAN PARTS

All parts in this list are Onan parts. For Onan parts or service, contact the dealer from whom you purchased this equipment or your nearest authorized service station. To avoid errors or delay in filling your order, please refer to the Onan nameplate and give the complete MODEL, SPECIFICATION and SERIAL NUMBER.

Onan ELECTRIC PLANT MODEL AND SPEC. NO.	
SERIAL NO. _____	
IMPORTANT ALWAYS GIVE ABOVE NOS. WHEN ORDERING PARTS	
STDBY. KW _____	KVA _____
CONT. KW _____	KVA _____
A.C. VOLTS _____	PH. _____
A.C. AMPS _____	P.F. _____
CY. _____	RPM _____
D.C. VOLTS _____	AMPS _____
WATTS _____	BAT. _____
MANUFACTURED BY ONAN DIV. OF STUDEBAKER CORPORATION MINNEAPOLIS, MINNESOTA, U.S.A. FOR ELECT. EQUIPMENT ONLY 99A941	

ALLIS-CHALMERS PARTS

All Allis-Chalmers parts must be ordered from the Allis-Chalmers Company of Harvey, Illinois or their nearest authorized distributor. Refer to the Allis-Chalmers nameplate giving the engine MODEL, CATALOG NUMBER and SERIAL NUMBER.

ALLIS-CHALMERS HARVEY, ILLINOIS • MADE IN U.S.A.	
ENGINE MODEL _____	ENG. CATALOG NO. _____
ENGINE SERIAL NO. _____	
HT-53188	

This catalog applies to the standard DYH generator sets as listed below. Powered by an Allis-Chalmers engine (see Allis-Chalmers Manual). Engine parts modified or added by Onan will be in this list and have Onan part numbers. These supersede similar parts listed in the Allis-Chalmers manual. Onan parts are arranged in groups of related items and are identified by a reference. All parts illustrations are typical. Unless otherwise mentioned, parts are interchangeable. Right and left plant sides are determined by facing the front end of the engine.

PLANT DATA TABLE

MODEL AND SPEC NO. *	ELECTRICAL DATA				
	WATTS	VOLTS	HERTZ	PHASE	WIRE
165.0DYH-54R/	165,000	120/208	50	3	4
165.0DYH-54XR/	165,000	277/480	50	3	4
165.0DYH-55DR/**	165,000	120/240	50	3	4
165.0DYH-57R/	165,000	220/380	50	3	4
165.0DYH-57XR/	165,000	240/416	50	3	4
165.0DYH-59XR/	165,000	347/600	50	3	4
200.0DYH-4R/	200,000	120/208	60	3	4
200.0DYH-4XR/	200,000	277/480	60	3	4
200.0DYH-5DR/**	200,000	120/240	60	3	4
200.0DYH-7XR/	200,000	240/416	60	3	4
200.0DYH-9XR/	200,000	347/600	60	3	4

* The Specification Letter advances (A to B, B to C, etc.) with manufacturing changes.

** This is a delta-wound 240 volt model with one phase center-tapped. A limited amount of 1 phase, 120/240 volt power can be utilized together with 3 phase power as long as no terminal current exceeds the rated nameplate current.

NOTE: Hertz is a unit of frequency equal to one cycle per second.

REPLACEMENT ENGINE:

100PI135 | Engine, Replacement (Allis-Chalmers Engine Company Model 21,000)

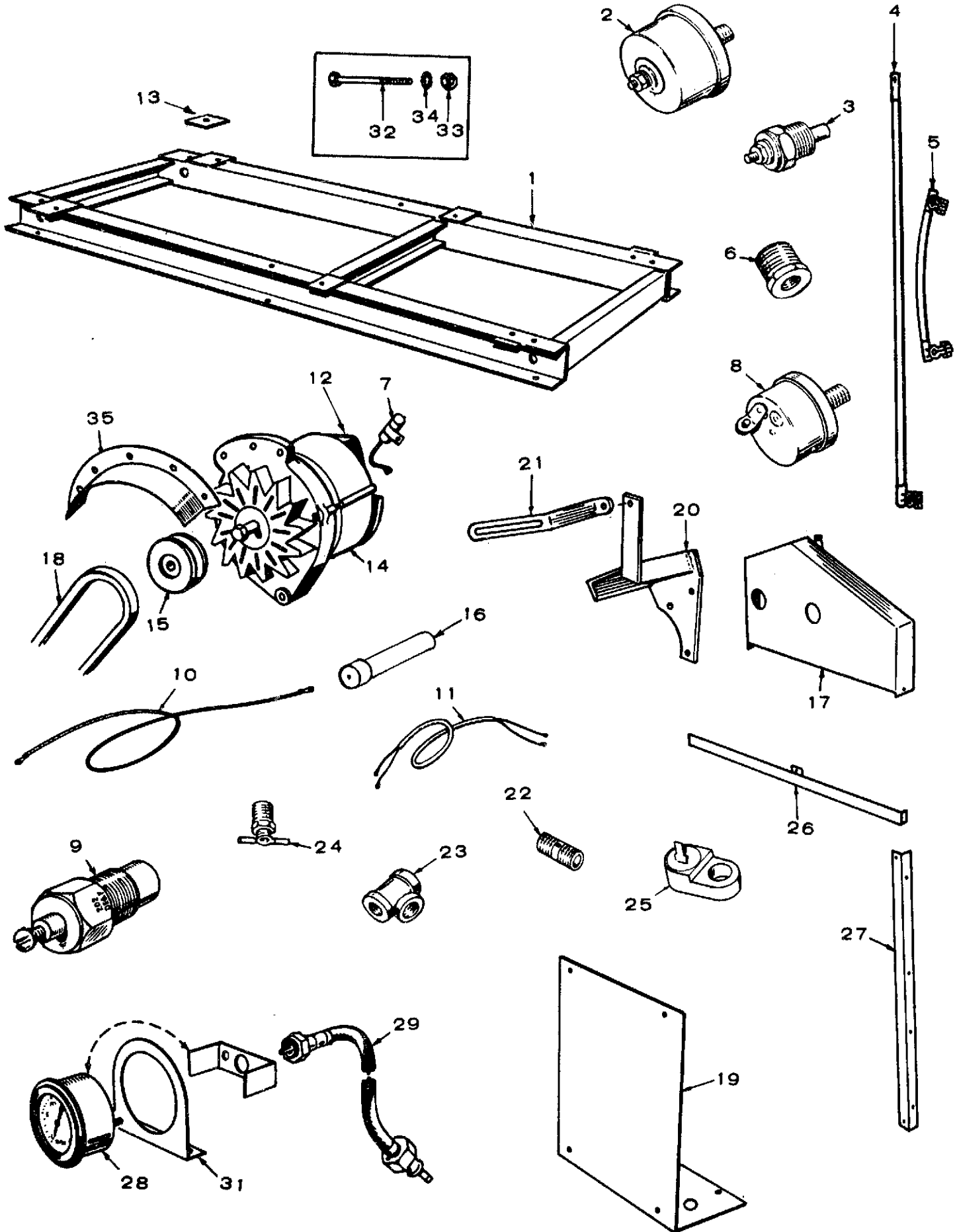
General Description:

Includes – Complete Cylinder Block, Fuel Transfer and Injection Pump, Air Cleaner, Oil Filter, Fuel Filter, Starter Motor (24 Volt), Governor (Woodward SG), Fan Blades (Pusher Type), Fan Belt, Fan Guard, Flywheel, Flywheel Housing, Water Pump, Engine Supports, Oil Pan, Oil Cooler, Exhaust Manifold, Alternator Belt Tightener, Alternator Mounting Brackets, Alternator Belt, Radiator, Turbocharger.

Excludes – Alternator, Temperature Sender, Oil Pressure Sender.

NOTE: Above engine for standard radiator cooled set. Refer to factory for all other sets.

MISCELLANEOUS ENGINE PARTS GROUP

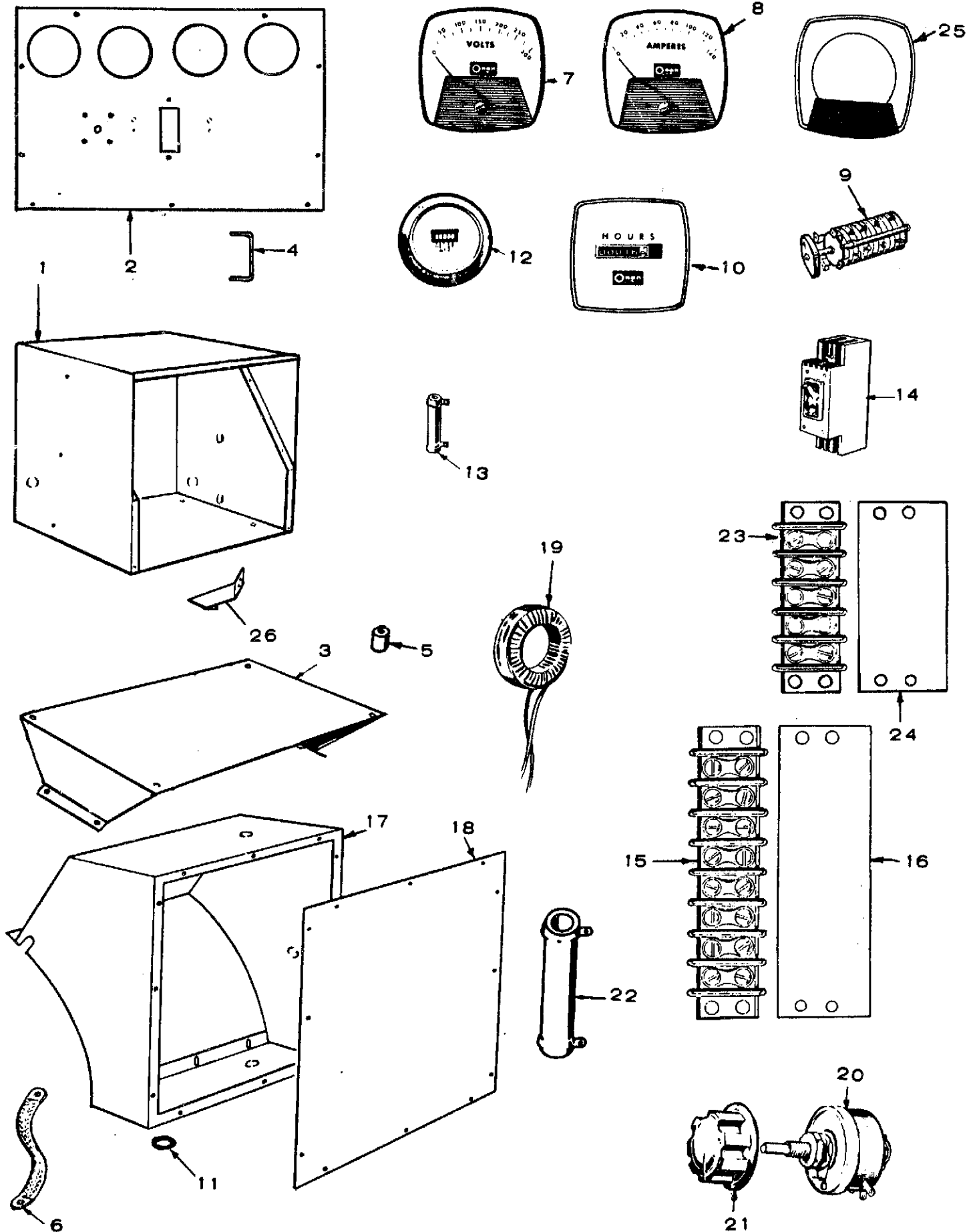


REF. NO.	PART NO.	QTY. USED	PART DESCRIPTION
1	403D874	1	Base, Mounting
2	193A98	1	Sender, Oil Pressure (Engine Unit Only)
3	193A100	1	Sender, Water Temperature (Engine Unit Only)
4	CABLE, BATTERY		
	416A445	1	Negative
	416A444	1	Positive
5	416A446	1	Cable, Battery Jumper
6	BUSHING, REDUCER		
	505-19	1	1/2 to 3/8 "
	505-131	1	3/4 to 3/8 "
7	312A58	1	Condenser, 0.1 Mfd.
8	309B169	1	Switch, Oil Pressure Cutoff
9	309A178	1	Switch, High Water Temperature Cutoff
10	336A1211	1	Lead, Starter (14 " Long)
11	HARNESS ASSEMBLY		
	338C513	1	Engine Control
	338B242	1	Static Exciter (55-1/2 " Sleeving)
	338B480	1	Static Exciter (24 " Sleeving)
12	191P733	1	Regulator, Voltage-Alternator
13	SHIM, GENERATOR TO MOUNTING BASE		
	232A1817	As Req.	.062 "
	232A1489	As Req.	.0598 "
	232A1490	As Req.	.0359 "
14	191B688	1	* Alternator, Charge (Motorola #70D44039B04)
15	191B649	1	Pulley, Alternator
16	232A2032	1	Support, Alternator
17	191C783	1	Guard, Belt (For Heat Exchanger Cooled Sets) - Optional
18	511P59	1	Belt, Alternator - Standpipe & Heat Exchanger Cooled Sets - Optional
19	301C1768	1	Shield, Heat - Control Box - Water Cooled Manifold Units - Optional

REF. NO.	PART NO.	QTY. USED	PART DESCRIPTION
20	191C858	1	Support, Alternator (Heat Exchanger Cooled Sets) - Optional
21	191B888	1	Bracket, Alternator Adjusting (Heat Exchanger Cooled Sets) - Optional
22	505-98	1	Nipple, Close (1/8 x 3/4 ") - Oil Pressure Tee to Block
23	505-59	1	Tee, Pipe (1/8 ") Oil Pressure Switch & Sender Mounting
24	VALVE		
	504-28	1	Radiator Drain
	504-3	1	Water Jacket Drain
25	309P269	1	Switch, Low Engine Temperature - Optional
26	405B1771	2	Flange, Radiator Duct Adapter (Top & Bottom) - Optional
27	405B1772	2	Flange, Radiator Duct Adapter (Sides) - Optional
28	302P539	1	Tachometer, Mechanical - Optional
29	302P540	1	Cable, Tachometer - Optional
30	302P756	1	Drive (90°) - Tachometer - Optional (Not Illustrated)
31	302A399	1	Bracket, Mounting - Tachometer - Optional
32	SCREW, HEX HEAD		
	800-163	2	Engine to Base (3/4-10 x 4 ") - Rear
	800-158	2	Generator to Base (3/4-10 x 2-3/4 ")
	800-159	2	Engine to Base (3/4-10 x 3 ") - Front
33	862-8	12	Nut, Hex (3/4-10)
34	850-79	12	Washer, Lock (3/4)
35	191B725	1	Guard, Alternator Belt

* - For components, contact your nearest Motorola dealer or Motorola Automotive Products Inc., 9401 W. Grand Ave., Franklin Park, Illinois 60131

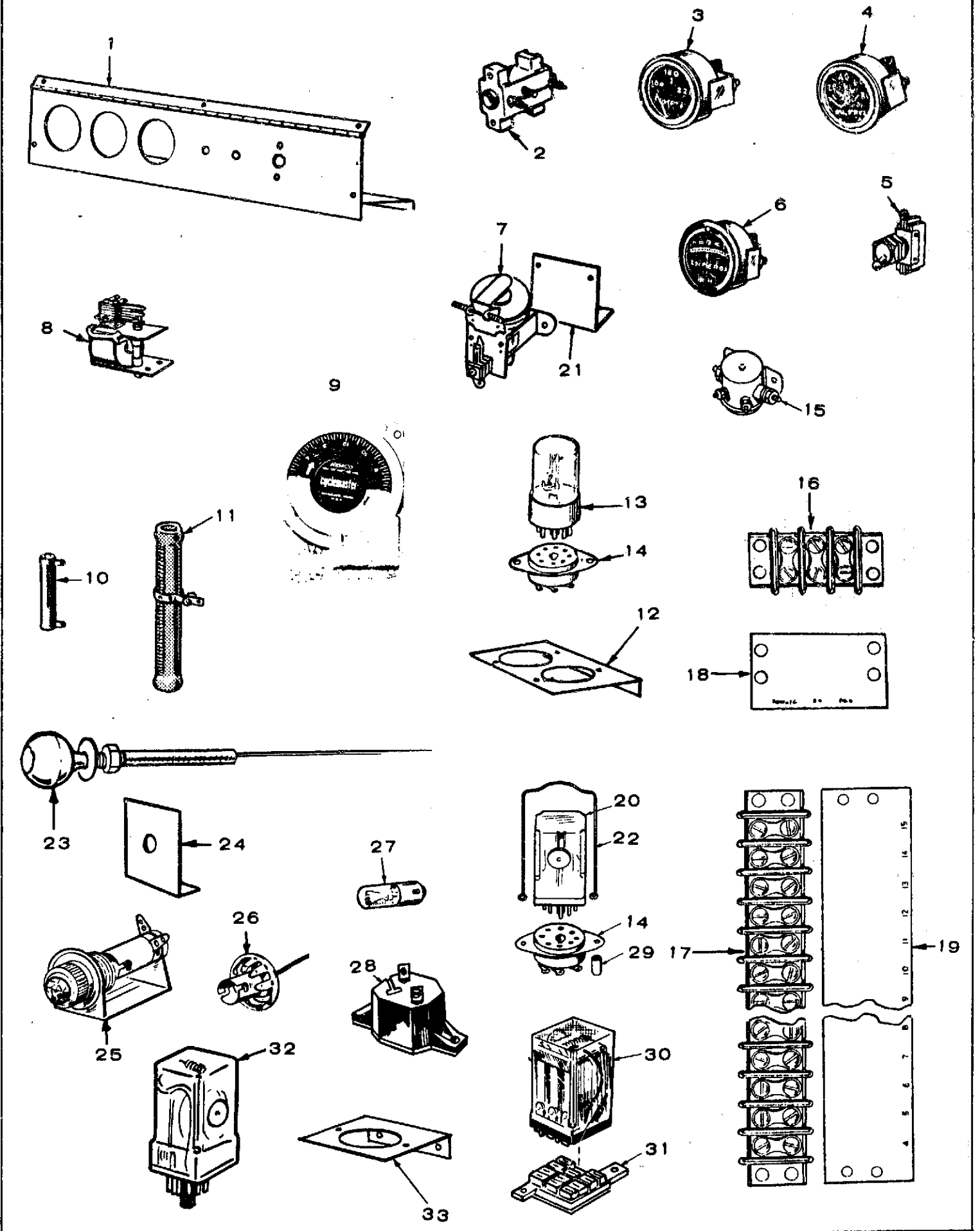
CONTROL GROUP (AC OUTPUT PORTION)



REF. NO.	PART NO.	QTY. USED	PART DESCRIPTION
1	301D2115	1	Box Only, Control
2	301C1815	1	Panel Only, Upper Control
3	301C1830	1	Bracket, Control Box Mounting
4	301A2727	1	Handle, Control Panel
5	402-78	4	Rubber, Mounting - Control Box
6	337A44	1	Strap, Ground
7	VOLTMETER, AC (CHECK VOLTMETER SCALE - SELECT ACCORDING TO RATING)		
	302P421	1	Scale Reads 0-300
	302P422	1	Scale Reads 0-600
	302P423	1	Scale Reads 0-750
8	AMMETER, AC (CHECK AMMETER SCALE - SELECT ACCORDING TO RATING)		
	302P413	1	Scale Reads 0-300
	302P414	1	Scale Reads 0-500
	302P415	1	Scale Reads 0-750
9	308-22	1	Switch, Voltage & Current Selector
10	METER, RUNNING TIME		
	302P465	1	120/208, 120/240, 347/600 Volt, 3 Phase, 60 Hertz Sets
	302P466	1	240/416 Volt, 3 Phase, 60 Hertz Sets
	302P467	1	277/480 Volt, 3 Phase, 60 Hertz Sets
	302P469	1	220/380, 240/416 Volt, 3 Phase, 50 Hertz Sets
	302P468	1	120/208, 120/240, 347/600 Volt, 3 Phase, 50 Hertz Sets
	302P470	1	277/480 Volt, 3 Phase, 50 Hertz Sets
11	508P63	3	Grommet, Rubber (For 2-7/8 " Hole)

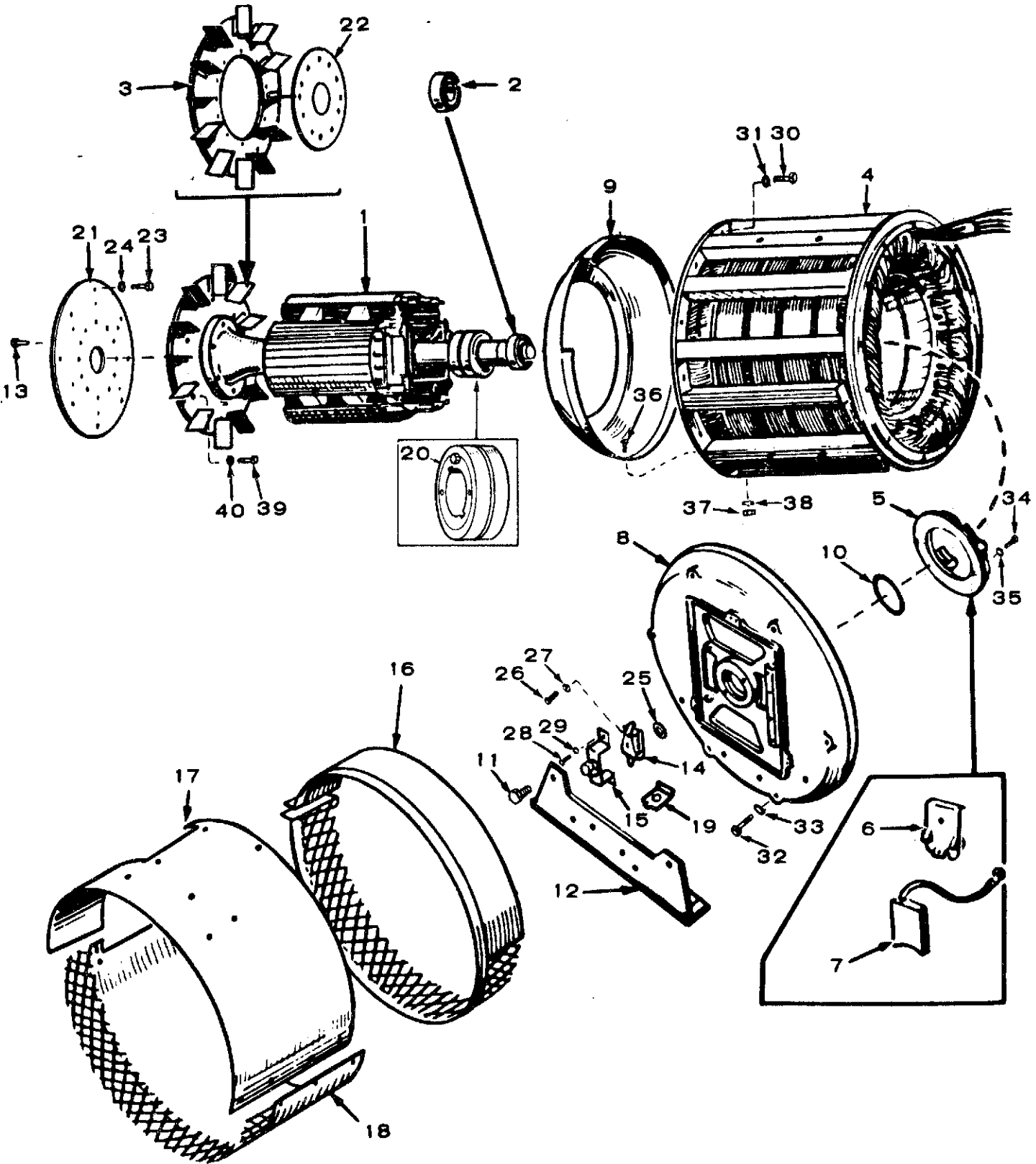
REF. NO.	PART NO.	QTY. USED	PART DESCRIPTION
12	METER, FREQUENCY		
	302-213	1	60 Hertz Sets
	302-234	1	50 Hertz Sets
13	RESISTOR, FREQUENCY METER		
	304A305	1	277/480 Volt, 3 Phase Sets
	304A402	1	347/600 Volt, 3 Phase Sets
	304A125	1	220/380 Volt, 3 Phase Sets
14	320B170	1	Breaker, Circuit - 18 Amp.
15	332A503	1	Block, Terminal (8 Place)
16	332A1174	1	Strip, Block Marker (Marked 55 through 62)
17	301E1682	1	Box Only, Output Terminal - Mounts on Side of Generator
18	301C1683	1	Cover, Output Terminal Box
19	TRANSFORMER, CURRENT (MOUNTS IN OUTPUT TERMINAL BOX) CHECK TRANSFORMER NAME-PLATE - SELECT ACCORDING TO RATING		
	302B107	3	Reads Ratio 300/5 (Use with 0-300 AC Ammeter)
	302B372	3	Reads Ratio 500/5 (Use with 0-500 AC Ammeter)
	302B385	3	Reads Ratio 750/5 (Use with 0-750 AC Ammeter)
20	303-111	1	Rheostat, Voltage Regulator - 175-Ohm, Model H
21	303P32	1	Knob, Rheostat
22	304A484	1	Resistor, Fixed - Rheostat (825-Ohm, 75 Watt)
23	332A604	1	Block, Terminal - Exciter Connections (5 Place)
24	332A690	1	Strip, Marker (5 Place)
25	302B448	1	Plate, Meter Face
26	301A1914	1	Bracket, Panel Stop

CONTROL GROUP (ENGINE INSTRUMENTS PORTION)



REF. NO.	PART NO.	QTY. USED	PART DESCRIPTION	REF. NO.	PART NO.	QTY. USED	PART DESCRIPTION
1	301C2124	1	Panel Only, Lower Control		BLOCK, TERMINAL		
2	320A104	1	Limiter, Cranking	16	332A611	1	Remote Operation Connection (3 Place)
3	193B112	1	Gauge, Water Temperature	17	332A1005	1	Engine Connection (20 Place)
4	193B111	1	Gauge, Oil Pressure		STRIP, MARKER		
5	SWITCH, TOGGLE			18	332A1009	1	For Remote Operation Block (Marked REMOTE, B-, GND)
	308P2	1	Panel Lights	19	332A1006	1	For Engine Connection Block (Marked 4 through 23)
	308P138	1	Run, Stop, Remote	20	307P820	2	Relay, (1) Start-Disconnect (1) Fuel Solenoid
6	302A61	1	Ammeter, Charge (30-0-30)	21	301A1685	1	Bracket, Relay Mounting
7	307A899	1	Relay, Time Delay	22	307P778	2	Spring, Relay Hold-Down
8	307A655	1	Relay, Latching	23	152P120	1	Control, Vernier
9	307B1102	1	Clock, Exerciser - Optional	24	151A230	1	Bracket, Vernier Control
10	RESISTOR, FIXED			25	322P69	1	Receptacle, Pilot Light
	304A446	2	(1) Water Temperature Gauge, (1) Oil Pressure Gauge (150-Ohm, 10Watts) 5/16 x 1-3/4	26	322P72	2	Receptacle, Panel Light
	304A62	1	Start Solenoid (25-Ohm, 25 Watts) - Used with Optional Cycle Cranking	27	322P17	3	Bulb, (1) Pilot (2) Panel
11	304A66	1	Resistor, Adjustable	28	320P240	1	Breaker, Circuit - Starting
12	301A2393	1	Bracket, Cycle Cranker Relay Mounting - Optional	29	332A943	6	Spacer, Relay Socket Mounting
13	RELAY, CYCLE CRANKING - Optional			30	307B1061	1	Relay, Starter Motor Protection
	307A697	1	10 Second Delay	31	323A760	1	Socket, Starter Motor Protection Relay
	307A753	1	5 Second Delay	32	307P820	1	Relay, Low Engine Temperature - Optional
14	323-52	2	Socket, Relay Mounting (Also 2 used for Optional Cycle Cranking Relays)	33	301A3241	1	Bracket, Low Engine Temp. Relay Mounting - Optional
15	307B61	1	Solenoid, Start				

GENERATOR GROUP (ALTERNATOR PORTION)



REF. NO.	PART NO.	QTY. USED	PART DESCRIPTION
1	*	1	Rotor Assembly, Wound (includes Parts Marked +)
2	510P63	1	+ Bearing
3	205C61	1	+ Blower
4	*	1	Stator Assembly, Wound
5	212C248	1	Rig Assembly, Brush - Includes Brushes & Springs
6	212B1105	4	Spring, Brush
7	214A46	4	Brush
8	211C241	1	Bell, End - Alternator to Exciter
9	234D69	1	Baffle, Air
10	509P125	1	Seal, "O" Ring
11	805-35	4	Bolt, Place - Generator Support to End Bell
12	232D1396	1	Support
13	805-35	12	+ Bolt, Place - Drive Disc to Hub
14	150A717	1	Switch Assembly, Overspeed
15	150A713	1	Bracket, Overspeed Switch - Includes Contact Point
16	234D70	1	Band - Front (Narrow)
	BAND, GENERATOR - REAR (WIDE)		
17	*	1	Upper Half
18	*	1	Lower Half
19	234A107	1	Bracket, Conduit Connector
20	204A83	1	+ Ring, Collector
21	232C1394	1	+ Disc, Drive
22	232B1378	As Req.	+ Shim, Drive Disc
23	800-91	8	Screw (1/2-13 x 1-1/4") - Drive Disc to Engine
24	850-60	8	Washer, Lock (1/2")
25	526A17	1	Washer, Flat (15/32" I.D. x 1-1/4" O.D. x 1/4" thick) - Switch Mounting

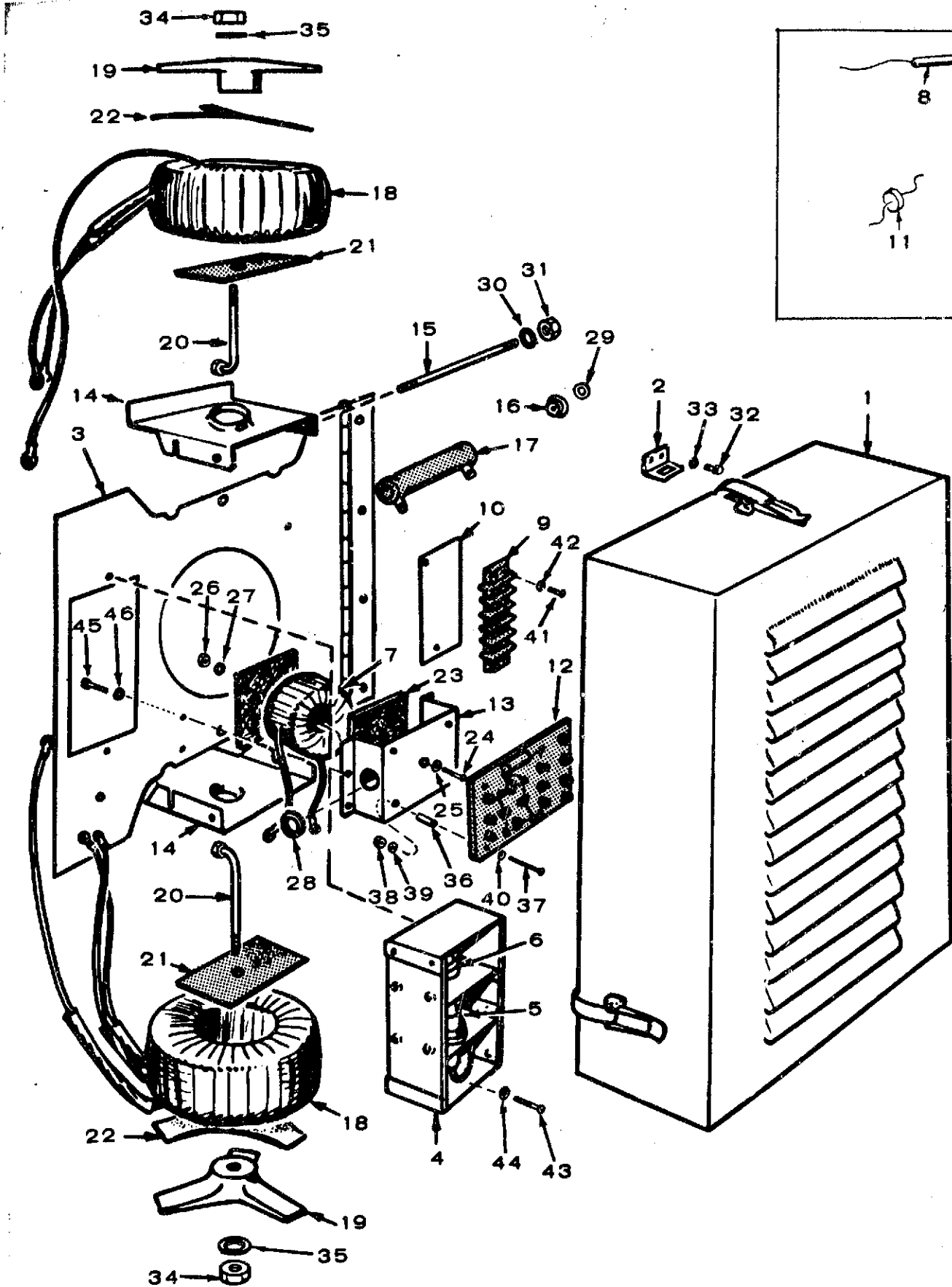
REF. NO.	PART NO.	QTY. USED	PART DESCRIPTION
26	812-192	1	Screw (3/8-16 x 7/8") - Switch Mounting
27	856-10	1	Washer, Lock (3/8)
28	812-148	2	Screw (1/4-20 x 1/2") - Switch Bracket Mounting
29	853-13	2	Washer, Lock (1/4 Shakeproof)
30	800-93	12	Screw (1/2-13 x 1-3/4") - Stator to Flywheel Housing
31	850-60	12	Washer, Lock (1/2)
32	800-56	6	Screw (3/8-16 x 2-1/2") - End Bell to Stator
33	850-50	6	Washer, Lock (3/8")
34	800-4	4	Screw (1/4-20 x 5/8") - Brush Rig Mounting
35	850-40	4	Washer, Lock (1/4")
36	800-4	10	Screw (1/4-20 x 5/8") - Baffle Mounting
37	860-13	10	Nut, Hex (1/4-20)
38	850-40	10	Washer, Lock (1/4")
39	800-24	6	+ Screw (5/16-18 x 1/2") - Blower to Drive Disc
40	850-45	6	+ Washer, Lock (5/16")

+ - Included in Rotor Wound Assembly.

* - Order by description, giving Model, Spec and Serial Number (ONAN Nameplate).

NOTE: Output Terminal Box, Cover and Internal Parts are listed in the AC Output Control Group (Mounts on Side of Generator).

GENERATOR GROUP (EXCITER PORTION) -MODEL 25X



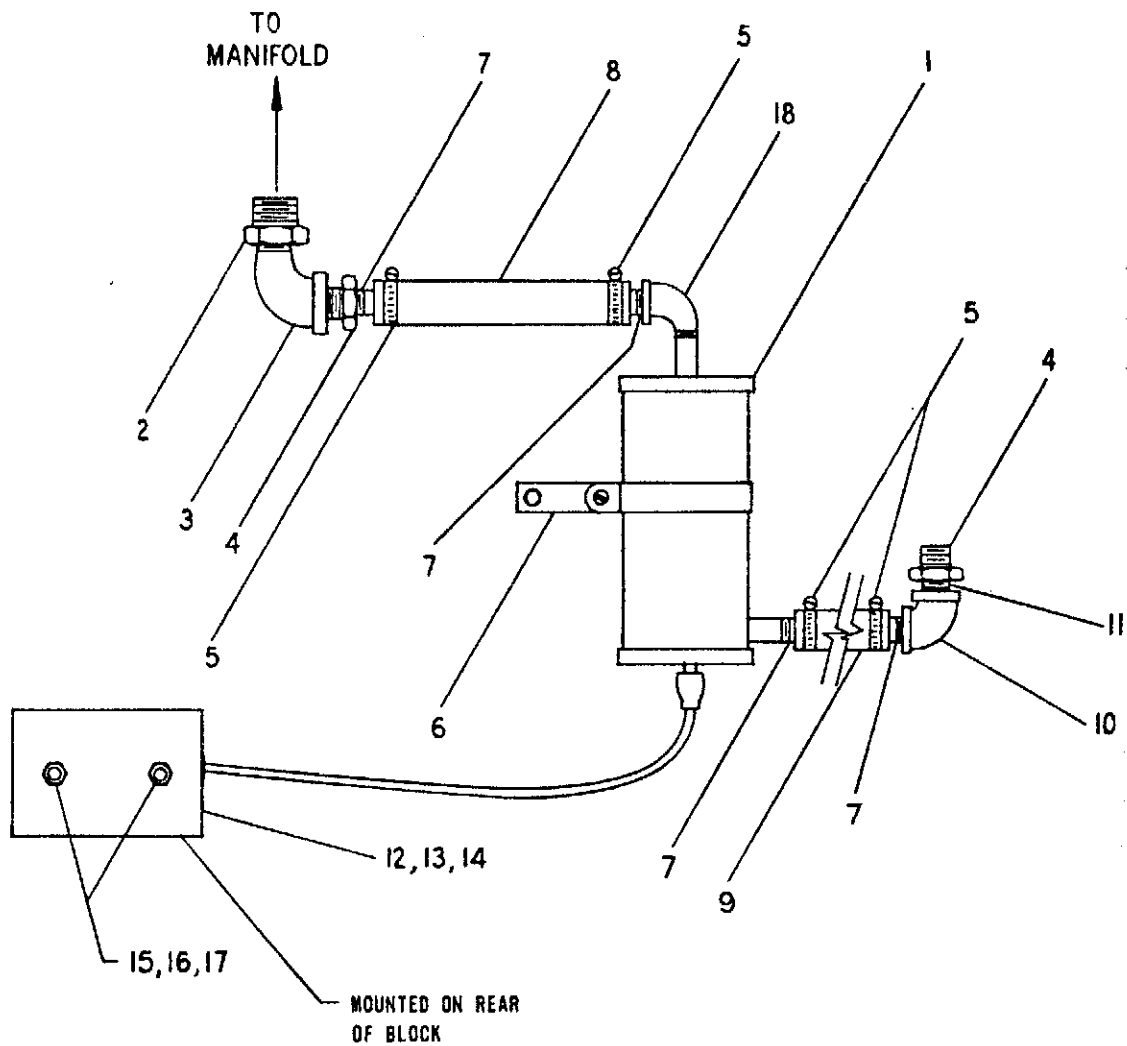
REF. NO.	PART NO.	QTY. USED	PART DESCRIPTION
1	234D116	1	Cover, Exciter
2	232A1376	3	Bracket - Exciter Cover to End Bell
3	234D74	1	Panel Only, Exciter
4	305B228	1	Rectifier Assembly, Power - Complete (Includes Parts Marked * plus wire and hardware)
	RECTIFIER ONLY, POWER (FIELD)		
5	305P233	2	* Lower two - Negative
6	305B234	2	* Upper two - Positive
7	REACTOR, VOLTAGE CONTROL		
	315A80	1	50 Hertz Sets
	315A78	1	60 Hertz Sets
8	304P476	1	+ Resistor, Voltage Control Reactor
9	332A532	1	Block, Terminal - 5 Place
10	332A693	1	Strip, Terminal Block Marker
11	305P240	4	+ Rectifier, Voltage Control Reactor
12	305B227	1	Rectifier & Resistor Assembly (Includes Parts Marked +)
13	234B115	1	Bracket, Mounting - Voltage Control
14	234B75	2	Bracket, Gate Reactor Mounting
15	520A190	1	Stud, Fixed Resistor Mounting
16	304A15	2	Washer, Fixed Resistor Centering
17	304A442	1	Resistor, Fixed (300-Ohm, 75 Watt)
18	REACTOR, GATE		
	315A61	2	50 Hertz Sets
	315A51	2	60 Hertz Sets
19	232A1389	2	Retainer, Gate Reactor
20	232A1403	2	Stud, Gate Reactor Mounting
21	232B1388	2	Gasket, Gate Reactor Mounting
22	232B1387	2	Gasket, Gate Reactor to Retainer

REF. NO.	PART NO.	QTY. USED	PART DESCRIPTION
23	232A1548	2	Gasket, Control Reactor Coil Mounting
24	812-156	1	Screw (1/4-20 x 1-1/2 ") - Reactor Mounting
25	854-14	1	Washer (Shakeproof) (1/4)
26	871-16	1	Nut, Hex (1/4-20)
27	850-40	1	Washer, Lock (1/4)
28	508-8	1	Grommet (For 13/16 " Hole)
29	526-12	4	Washer, Flat
30	854-10	2	Washer, Lock (#10)
31	870-53	2	Nut, Hex (10-32)
32	800-3	6	Screw (1/4-20 x 1/2 ") - Cover Bracket Mounting
33	850-40	6	Washer, Lock (1/4 ")
34	862-15	2	Nut, Hex (5/16-18)
35	850-14	2	Washer, Lock (5/16 ")
36	234A118	4	Spacer - Rectifier & Resistor Assembly Mounting
37	812-70	4	Screw (6-32 x 1-1/4 ") - Rectifier & Resistor Assembly Mounting
38	860-5	4	Nut, Hex (6-32)
39	854-6	4	Washer, Lock (#6)
40	526-47	4	Washer, Flat (#6 Brass)
41	813-103	2	Screw (10-32 x 3/4 ") - Terminal Block Mounting
42	854-10	2	Washer, Lock (#10)
43	813-98	2	Screw (10-32 x 3/8 ") - Rectifier Assembly Mounting
44	854-10	2	Washer, Lock (#10)
45	813-98	4	Screw (10-32 x 3/8 ") - Bracket Mounting
46	854-10	4	Washer, Lock (#10)

* - Included in #305B228 Power Rectifier Assembly.

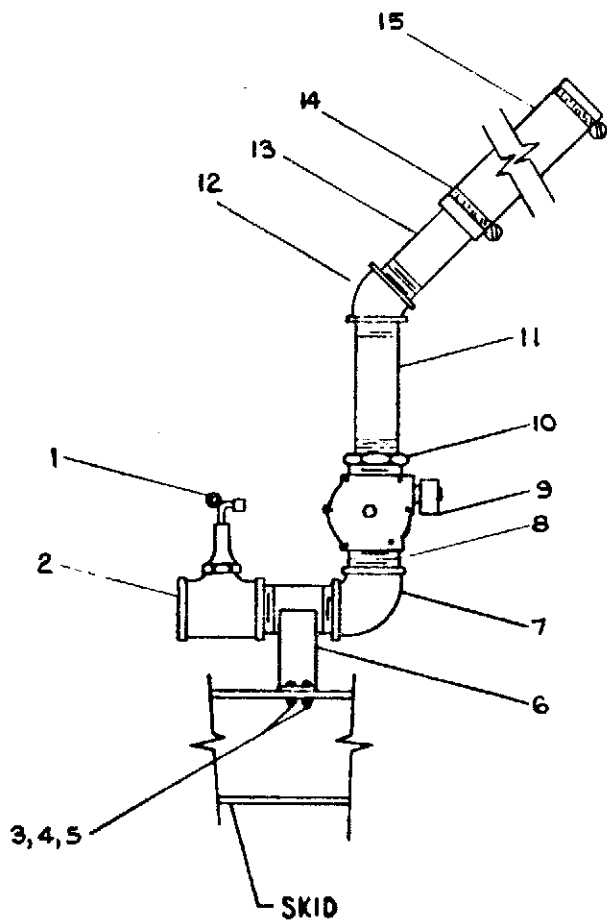
+ - Included in #305B227 Rectifier and Resistor Assembly.

NOTE: Hertz is a unit of frequency equal to one cycle per second.



REF. NO.	PART NO.	QTY. USED	PART DESCRIPTION
1	333P53	1	Heater
2	505-22	1	Bushing, Reducer (1/2 x 1")
3	505-50	1	Elbow, Street (1/2 x 90°)
4	505-19	2	Bushing, Reducer (3/8 x 1/2")
5	503-183	4	Clamp, Hose
6	130A755	1	Bracket
7	505-135	4	Nipple, Half (3/8 x 1-1/2")
8			Hose, (Order 4" of Bulk Hose #503P386)
9			Hose (Order 19-1/2" of Bulk Hose #503P386)
10	505-39	1	Elbow (3/8 x 90°)
11	505-101	1	Nipple, Close (3/8 x 1")
12	309P106	1	Thermostat
13	333A12	1	Box, Thermostat
14	333A13	1	Cover, Thermostat Box
15	520A446	2	Stud
16	870-53	2	Nut, Hex (10-32)
17	850-30	2	Washer, Lock #10
18	505-120	1	Elbow, Street (3/8 x 90°)

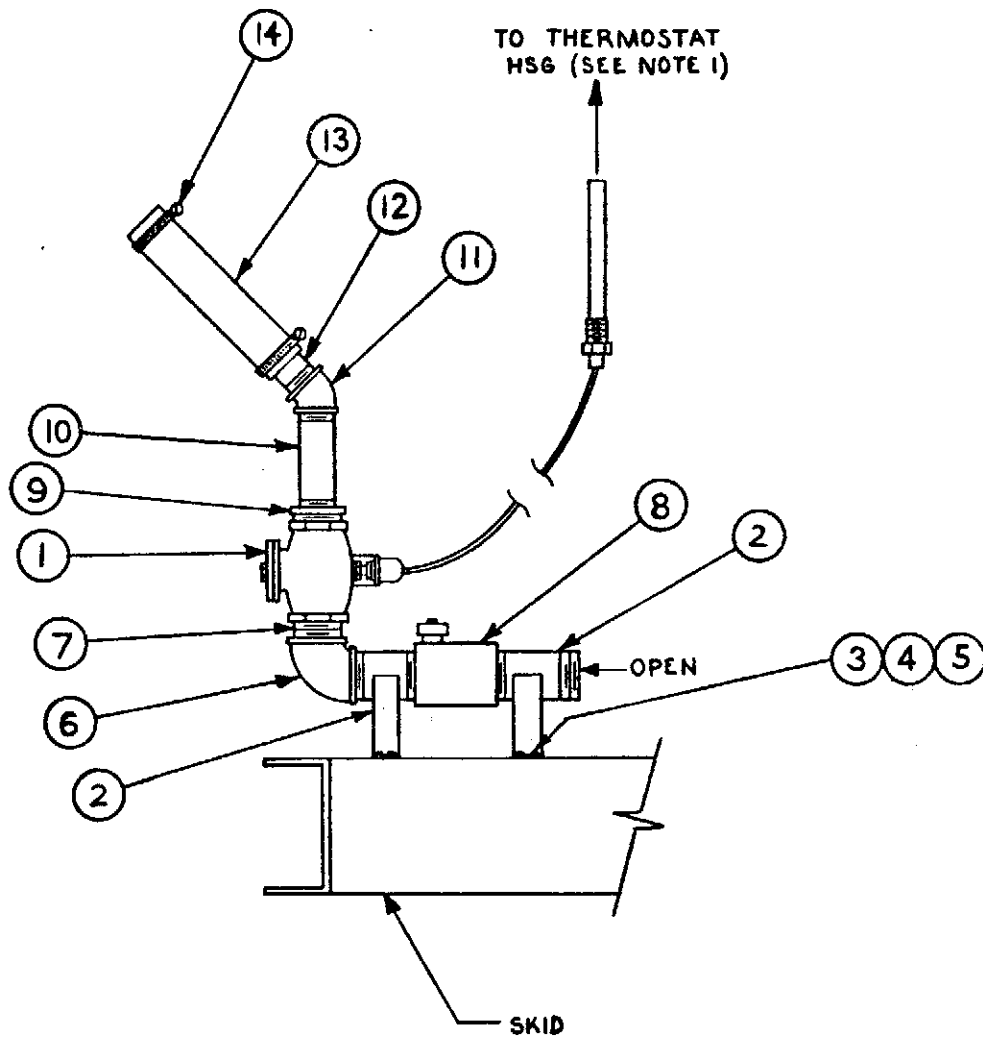
WATER JACKET HEATER INSTALLATION



NOTE: For heat exchanger models.

REF. NO.	PART NO.	QTY. USED	PART DESCRIPTION
1	504-60	1	Socket Wrench
2	504-57	1	Valve, Gate
3	800-7	2	Screw, Hex Head Cap (1/4-20 x 1")
4	850-40	2	Washer, Lock (1/4)
5	862-1	2	Nut, Hex (1/4-20)
6	130A801	1	Nipple Assembly, Water Line
7	505-175	1	Elbow, Pipe (90° x 2")
8	505-172	1	Nipple, Close (2 x 2")
9	307A844	1	Valve, Solenoid (2")
10	505-187	1	Bushing, Reducer
11	505-496	1	Nipple (1-1/2 x 8")
12	505-191	1	Elbow, Pipe (45° x 1-1/2")
13	505-474	1	Nipple, Half (1-1/2 x 5" Long)
14	503-365	2	Clamp, Hose
15	503P364	1	Hose, Flexible (1-3/4 I.D.)

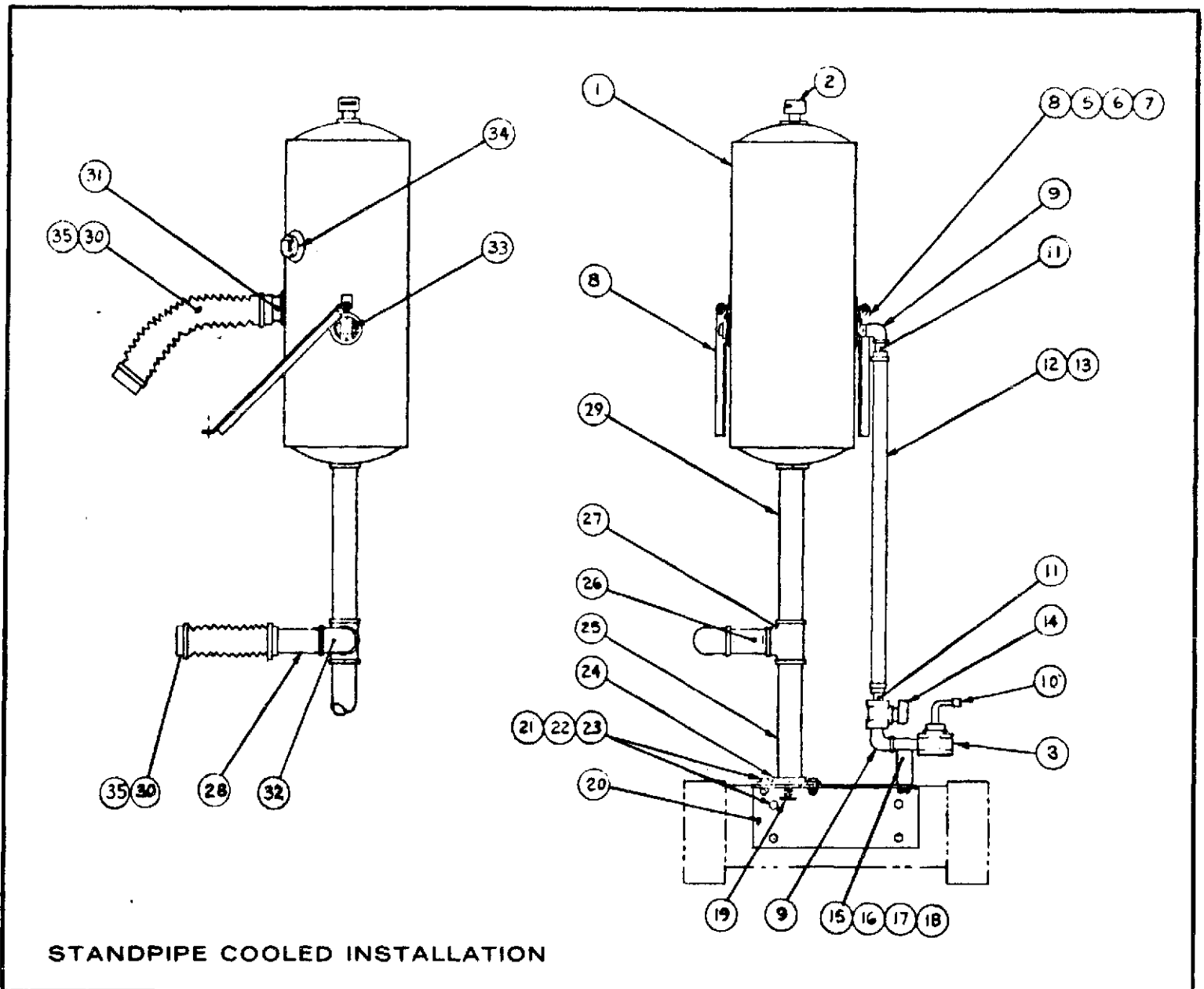
SOLENOID VALVE INSTALLATION



NOTES: 1. Remove thermostat drill and tap casting
3/4" NPT for regulator valve bulb.
2. For heat exchanger models.

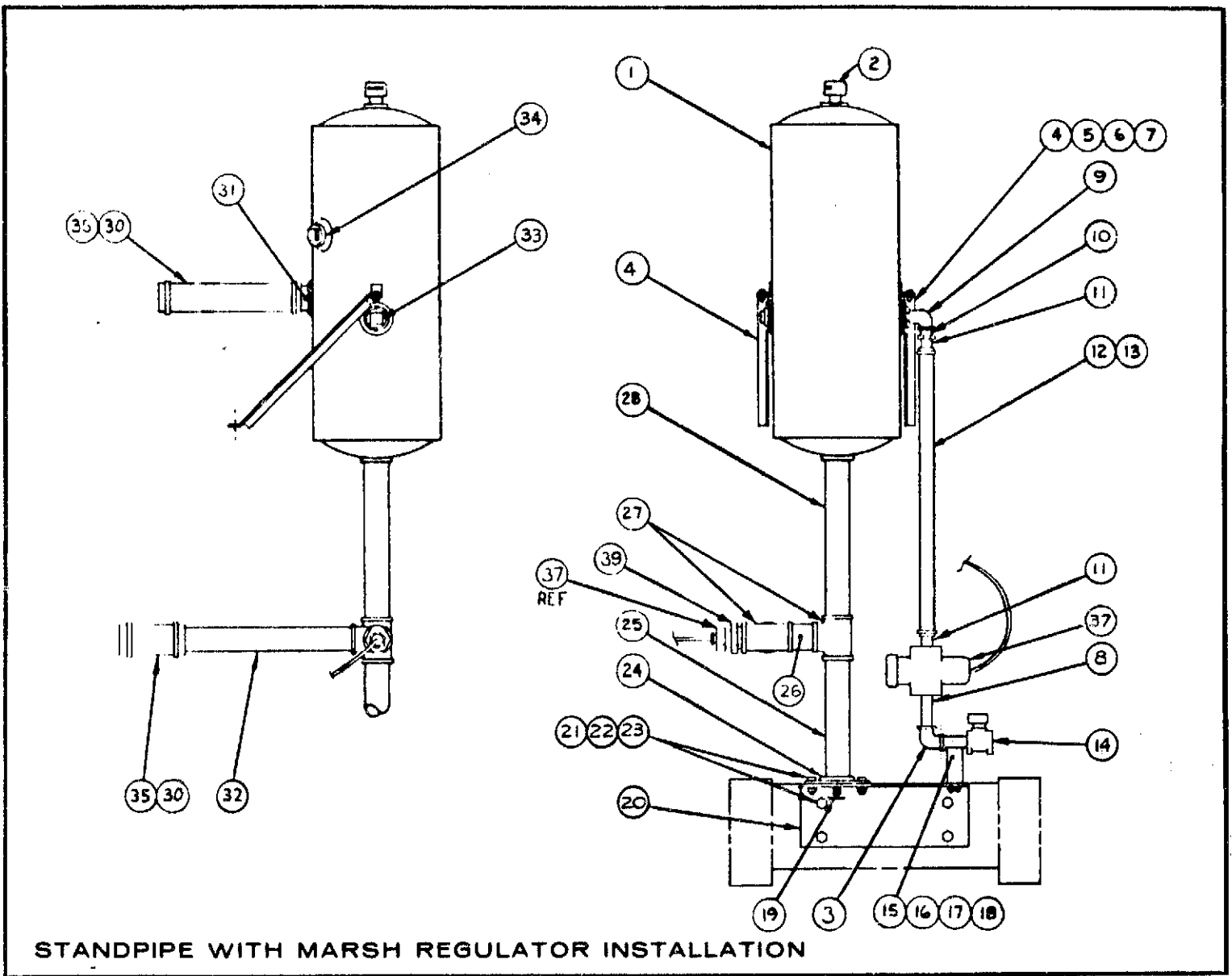
REF. NO.	PART NO.	QTY. USED	PART DESCRIPTION
1	309P245	1	Valve - Water Temperature Control
2	130A801	2	Nipple Assembly - Water Line
3	800-7	4	Screw, Hex Head Cap (1/4-20 x 1")
4	850-40	4	Washer, Lock (1/4)
5	862-1	4	Nut, Hex (1/4-20)
6	505-175	1	Elbow (2 x 90°)
7	505-172	1	Nipple, Close (2 x 2")
8	307A844	1	Valve, Solenoid (2")
9	505-187	1	Bushing, Reducer
10	505-641	1	Nipple (1-1/2 x 6")
11	505-191	1	Elbow (45°)
12	505-474	1	Nipple, Half (1-1/2 x 5" Long)
13	503P364	1	Hose, Vulcanized Flexible Radiator
14	503P365	2	Clamp, Hose

SOLENOID VALVE AND REGULATOR INSTALLATION



REF. NO.	PART NO.	QTY. USED	PART DESCRIPTION
1	130C425	1	Standpipe
2	504P62	1	Valve, Vacuum Relief
3	504-51	1	Valve, Lockshield (1-1/4 ")
4			
5	800-48	2	Screw, Hex Head Cap (3/8-16 x 3/4 ")
6	850-50	2	Washer, Lock (3/8)
7	862-3	2	Nut, Hex (3/8-16)
8	130A792	2	Brace, Standpipe
9	505-186	2	Elbow, Black Street (1-1/4 x 90°)
10	504-52	1	Key, Valve
11	505-384	2	Nipple, Half (1-1/4 x 2 ")
12			Hose, Heater (Order 36 " of Bulk Hose #503-359)
13	503-11	2	Clamp, Hose
14	307A939	1	Valve, Solenoid
15	110A1168	1	Bracket & Nipple, Waterline
16	800-7	2	Screw, Hex Head Cap (1/4-20 x 1 ")

REF. NO.	PART NO.	QTY. USED	PART DESCRIPTION
17	850-40	2	Washer, Lock (1/4)
18	862-1	2	Nut, Hex (1/4-20)
19	504-6	1	Cock, Drain
20	130B818	1	Support, Standpipe Mounting
21	800-92	8	Screw, Hex Head Cap (1/2-13 x 1-1/2 ")
22	850-60	8	Washer, Lock (1/2)
23	862-5	8	Nut, Hex (1/2-13)
24	130B442	1	Base, Standpipe
25	505-419	1	Nipple (2 x 12 ")
26	505-193	1	Nipple (2 x 4-1/2 ")
27	505-374	1	Tee, Pipe (2 ")
28	505-375	1	Nipple (2 x 7 ")
29	505-377	1	Nipple (2 x 18-1/2 ")
30	503P354	4	Clamp, Hose
31	505A204	1	Nipple, Half (2 x 2 ")
32	505-175	1	Elbow, Pipe (90° x 2 ")
33	505-359	1	Plug, Square Head (1-1/4 ")
34	505-140	1	Plug, Square Head (1 ")
35	503-631	2	Hose, Flexible (2-1/2 x 2-1/4 x 18 ")



REF. NO.	PART NO.	QTY. USED	PART DESCRIPTION	REF. NO.	PART NO.	QTY. USED	PART DESCRIPTION
1	130C425	1	Standpipe	20	130B818	1	Support, Standpipe Mounting
2	504P62	1	Valve, Vacuum Relief	21	800-92	8	Screw, Hex Head Cap (1/2-13 x 1-1/2")
3	505-41	1	Elbow, Pipe (1" x 90°)	22	850-60	8	Washer, Lock (1/2)
4	130A792	2	Brace, Standpipe	23	862-5	8	Nut, Hex (1/2-13)
5	800-48	2	Screw, Hex Head Cap (3/8-16 x 3/4")	24	130B442	1	Base, Standpipe
6	850-50	2	Washer, Lock (3/8)	25	505-419	1	Nipple, Pipe (2 x 12")
7	862-3	2	Nut, Hex (3/8-16)	26	505-193	2	Nipple, Pipe (2 x 4-1/2")
8	505-4	1	Nipple, Close (1 x 1-1/2")	27	505-374	2	Tee, Pipe (2")
9	505-186	1	Elbow, Black, Street (1-1/4" x 90°)	28	505-377	1	Nipple, Pipe (2 x 18-1/2")
10	505-23	1	Bushing, Reducer	29	503-500	1	Hose, Radiator (2-3/8 x 6-1/4")
11	505-330	2	Nipple, Half (1 x 2")	30	503P354	4	Clamp, Hose
12			Hose, Heater (Order 36" of Bulk Hose #503-361)	31	505-380	1	Nipple, Half (2 x 3")
13	503-4	2	Clamp, Hose	32	505-375	1	Nipple (2 x 7")
14	307A1135	1	Valve, Solenoid	33	505-359	1	Plug, Square Head (1-1/4")
15	130A797	1	Nipple Assembly, Water Line	34	505-140	1	Plug, Square Head (1")
16	800-7	2	Screw, Hex Head Cap (1/4-20 x 1")	35	503P631	2	Hose, Radiator
17	850-40	2	Washer, Lock (1/4)	36			
18	862-1	2	Nut, Hex (1/4-20)	37	309P242	1	Valve, Water Temperature Control
19	504-6	1	Cock, Drain	38			
				39	505-351	1	Bushing, Reducer (3/4 x 2")