

The following catalog has gaps in its page numbers, or doesn't have any numbers. We have chosen to leave the page numbering in the order that Acrobat assigns it.

INSTRUCTION MANUAL AND PARTS CATALOG

FOR



PROPERTY
OF
SERVICE PARTS
LIBRARY
DO NOT REMOVE

ELECTRIC GENERATING PLANTS

Chs Pages
22
23
24
25

MDEH

SERIES

ONAN

2515 UNIVERSITY AVE. S. E. · MINNEAPOLIS, MINNESOTA 55414

A DIVISION OF STUDEBAKER CORPORATION

IN CANADA: ONAN GENERATORS CANADA LTD., 233 CAMPBELL ROAD, GUELPH, ONTARIO
INTERNATIONAL DISTRICT OFFICE: EMPIRE STATE BLDG., 350-5TH AVE., RM. 2204, NEW YORK 10001

PARTS CATALOG

This catalog applies to the standard MDEH plants as listed below. Powered by a Ford C6PX-6005-A engine (see Ford Manual). Engine parts modified or added by *Onan* will be in this list and have *Onan* part numbers. These supersede similar parts listed in the Ford manual. *Onan* parts are arranged in groups of related items and are identified by reference. All parts illustrations are typical. Unless otherwise mentioned, parts are interchangeable. Right and left plant sides are determined by facing the front end of the engine.

PLANT DATA TABLE

MODEL AND SPEC NO. *	ELECTRICAL DATA				
	WATTS	VOLTS	CYCLES	PHASE	WIRE
25MDEH-53R/	25,000	120/240	50	1	3
25MDEH-3UR/**	25,000	120/240	50	1	3
25MDEH-54R/	25,000	120/208	50	3	4
25MDEH-54XR/	25,000	277/480	50	3	4
25MDEH-55DR/	25,000	120/240	50	3	4
25MDEH-57R/	25,000	220/380	50	3	4
25MDEH-59R/	25,000	600	50	3	3
30MDEH-3R/	30,000	120/240	60	1	3
39MDEH-3UR/**	30,000	120/240	60	1	3
30MDEH-4R/	30,000	120/208	60	3	4
30MDEH-4XR/	30,000	277/480	60	3	4
30MDEH-5DR/	30,000	120/240	60	3	4
30MDEH-9R	30,000	600	60	3	3

* - The Specification Letter advances (A to B, B to C, etc.) with manufacturing changes.

** - U designates unity power factor.

REPLACEMENT ENGINE

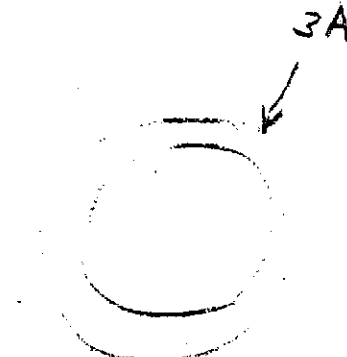
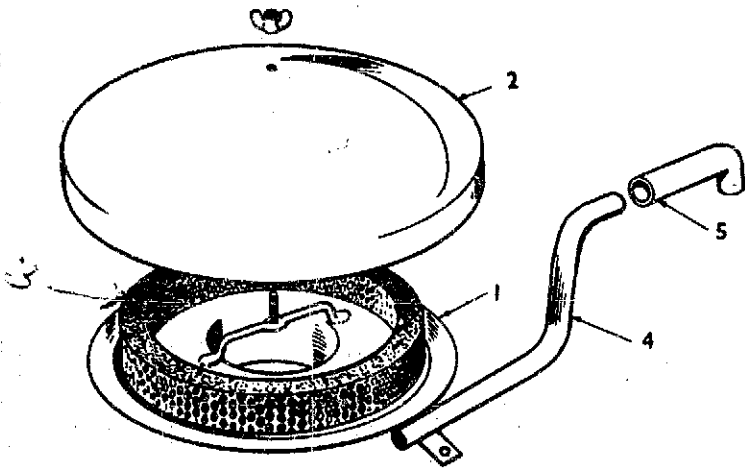
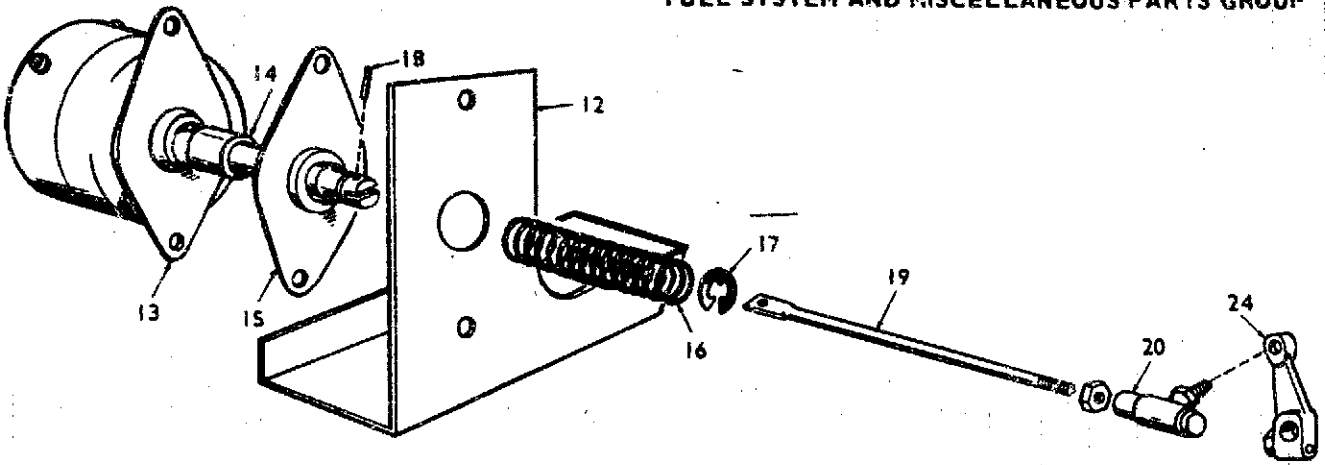
100P704 1 Engine, Replacement (Ford Motor Company Model 2701E, Spec 66PX-6005-A) General Description:

Includes - Complete Cylinder Block; Injection Pump (Simms); Fuel Filter; Starting Motor (Lucas); Governor; Flywheel; Water Pump; Fuel Transfer Pump; Fan Blade (Pusher Type).

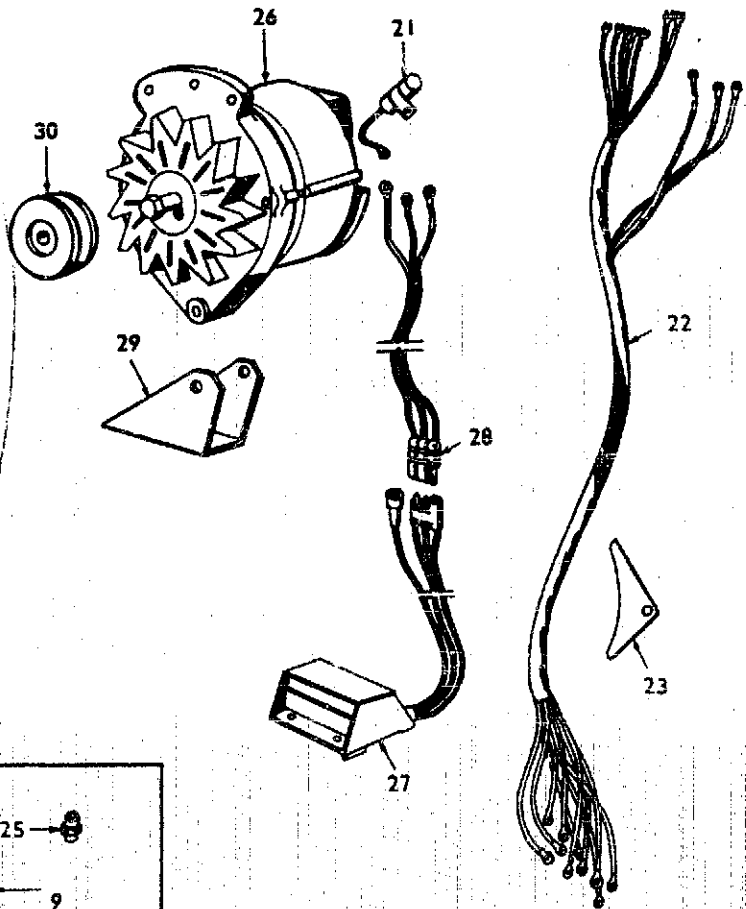
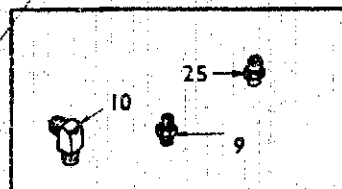
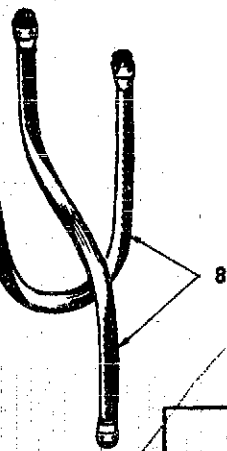
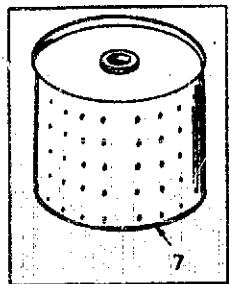
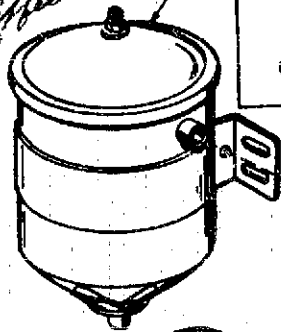
Excludes Air Cleaner; Alternator; Voltage Regulator; Oil Pressure Sender; Water Temperature Sender.

also 12 volt injection 307-628

FUEL SYSTEM AND MISCELLANEOUS PARTS GROUP



ENC# 1425
no longer used
Effective 9/3/68

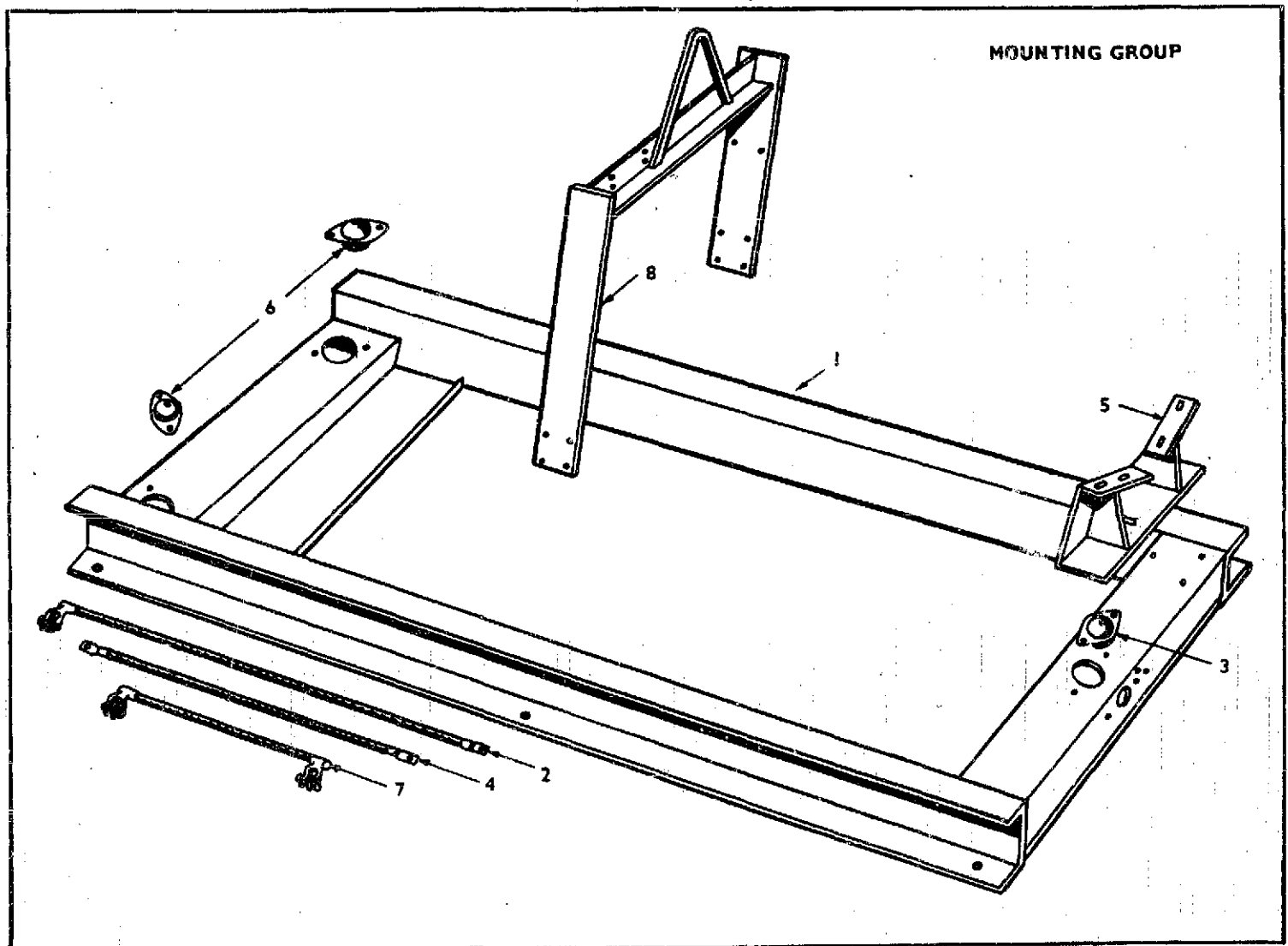


USE FORD FILTER ONLY

FORD POWER 9176A ELEMENT, 7 Ltr.

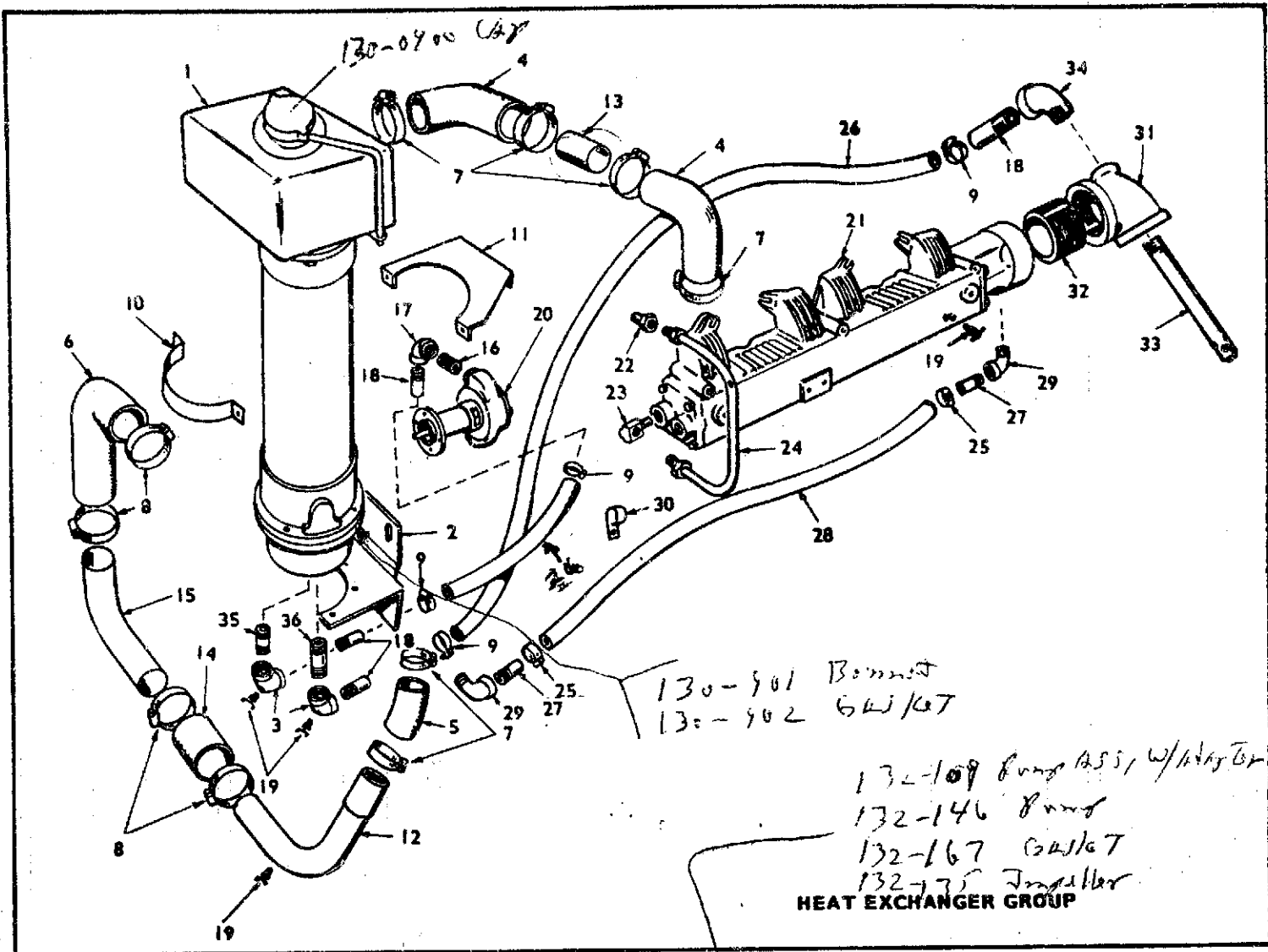
Part of 140-1005 ASSY 8/14

REF. NO.	PART NO.	QTY. USED	PART DESCRIPTIONS	REF. NO.	PART NO.	QUANTITY USED	PARTS DESCRIPTION
1	140P969	1	Cleaner, Air	16	306A198	1	Spring, Stop Sol. Plunger
2	140A1007	1	Cover, Air Clnr.	17	518-203	1	Ring, Snap - Sprng. Ret.
3	140P1006	1	Head, Air Clnr. (Disch.)	18	516P103	1	Pin, Roll - 1/8 x 1/2" - Sprg. Retg.
4	123A1037	1	Tube, Breather	19	306A125	1	Rod, Stop Sol. to Joint
5	503A486	1	Hose, Breather	20	150A638	1	Joint Rod to Inj. Pump
6	149C1078	1	Filter, Fuel - Primary	21	312A58	1	Condenser
7	149P846	1	Cartridge, Fuel Filter	22	338C457	1	Harness, Engine Cont.
8	501A96	2	Line, Fuel (l) Pump to Primary Filter, (l) Primary to Secondary Filter	23	191A516	1	Cover, Starter Hole
9	502-137	4	Connector	24	150A1139	1	Lever, Gov. Stop
10	502-148	2	Elbow, Secondary Filter	25	502-51	1	Coupling Fuel
11	502-254	1	Tee, Fuel Return	26	191B682	1	Alternator, Charge
12	306B214	1	Bracket, Sol. Mtg.	27	191C683	1	Reg. Charge Alt.
13	307B628	1	Solenoid, Stopping (12 V)	28	191B681	1	Cable, Alt. to Reg.
14	306A199	1	Plunger, Stop Solenoid	29	191B679	1	Bracket, Alt. Mtg.
15	306A162	1	Retainer, Stop Sol. Plunger	30	191-649	1	Pulley, Charge Alt.
				31	502-193	1	Connector, Fuel Pump Inlet
				32	502-5	1	Elbow, Fuel Pump Inlet



REF. NO.	PARTS NO.	QUANTITY USED	PARTS DESCRIPTION
1	403D815	1	Chassis, Mounting
2	CABLE, BATTERY		
	416A530	1	16" Long
	416A531	1	24" Long
3	402P190	1	Mount Engine

REF. NO.	PART NO.	QTY. USED	PART DESCRIPTIONS
4	416A532	1	Cable, Starter Motor Ground
5	403C785	1	Support, Gen Mtg.
6	402A209	2	Mount, Vibration, Gen. End
7	416A446	1	Cable, Batt. (9")
8	403C836	1	Bracket, Lifting



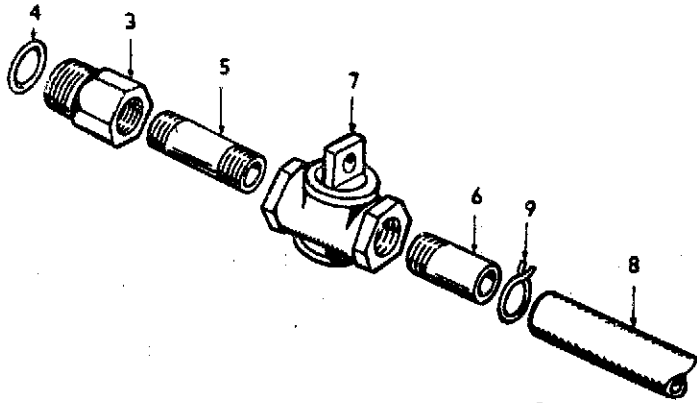
REF. NO.	PARTS NO.	QUANTITY USED	PARTS DESCRIPTION
1	130C505	1	Exchanger, Heat
2	130C715	1	Bracket, Heat Exch, Mtg. (Lower)
3	505A657	2	Elbow, with Drain Hole
4	503A554	2	Hose, Upper
5	503A552	1	Hose, Tube to Engine
6	503A553	1	Hose, Lower
7	503-311	6	Clamp, Hose (2-1/8 x 1/2")
8	503-4	4	Clamp, Hose (1-7/8 x 5/8")
9	503-189	4	Clamp, Hose (1-1/2 x 13/16")
10	130A722	1	Clamp, Heat Exchanger Mtg.
11	130A721	1	Bracket, Heat Exchanger Mtg. (Upper)
12	130A724	1	Tube, Water Inlet (With Drain)
13	503A555	1	Tube, Hose Connector
14	503A289	1	Hose, Tube Connection
15	130A349	1	Tube, Water Inlet (Without Drain)
16	505-102	1	Nipple pipe (3/4 x 1-3/8")
17	505-132	1	Elbow, pipe (3/4" x 90°)
18	505-324	4	Nipple, Half - pipe (3/4 x 2")
19	504-5	4	Valve, Drain

REF. NO.	PARTS NO.	QUANTITY USED	PARTS DESCRIPTION
20	132P109 ^{see note}	1	*Pump, Water
21	154P889	1	Manifold, Exh. - Water Cooled
22	502-89	1	Connector, Water Line
23	502-74	1	Elbow, Water Line
24	130A723	1	Line, Water
25	503-183	2	Clamp, Hose (1-1/16 x 11/16")
26	As Req.		Hose, Water - 1" I.D. x 1-3/8" O.D. (Bulk #503-249)
27	505-135	2	Nipple, Half (3/8 x 1-1/2")
28	As Req.		Hose, Water - 1/2" I.D. x 27/32" O.D. (Bulk #503-110)
29	505-120	2	Elbow, Street (3/8" x 90°)
30	148A274	1	Clamp, Hose to Engine
31	505-656	1	Tee, Exhaust - Reducer
32	505-172	1	Nipple, Exhaust
33	130A725	1	Tube, Exh. Water Outlet
34	505P658	1	Elbow, Street Reducer (1 x 3/4" with 3/4" thread inside the 1" end)
35	505-4	1	Nipple Pipe (1 x 1-1/2")
36	505-87	1	Nipple, pipe (1 x 3")
37	132-135	1	Impeller for 132-109 Pump

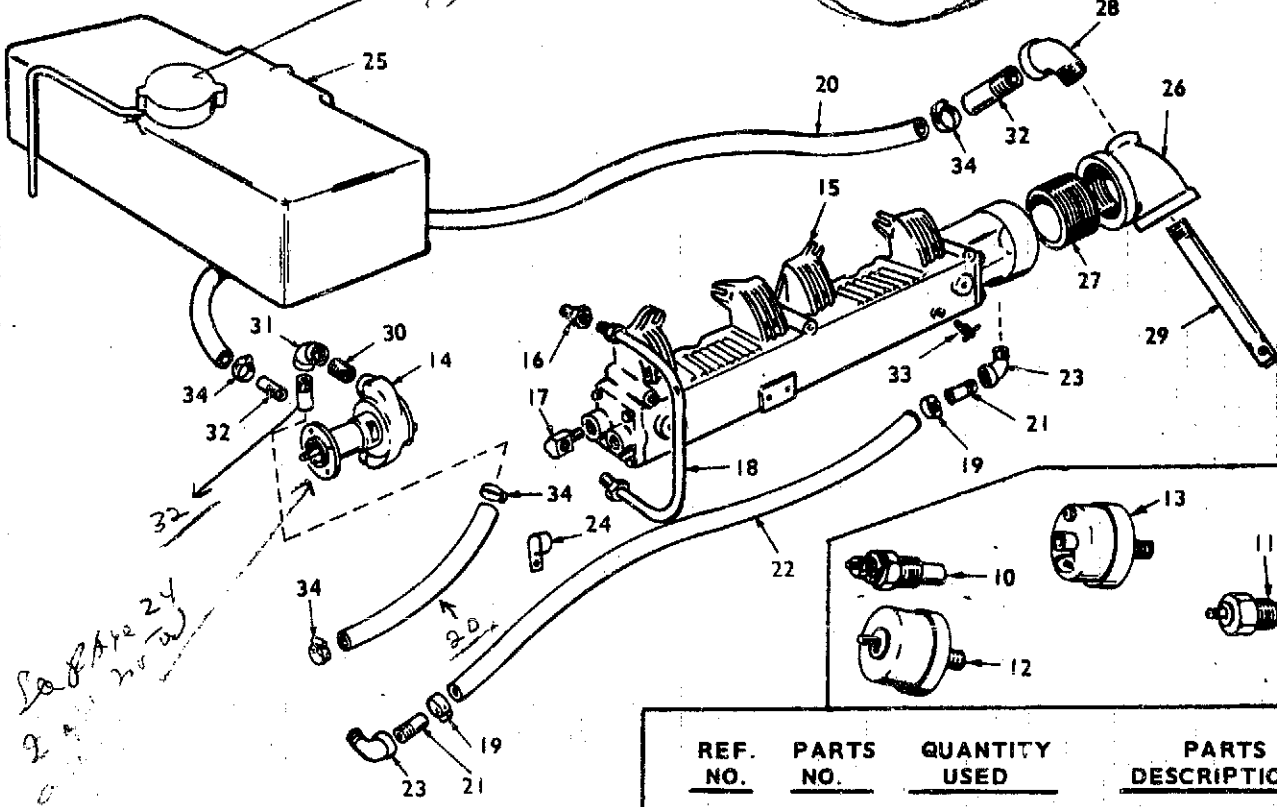
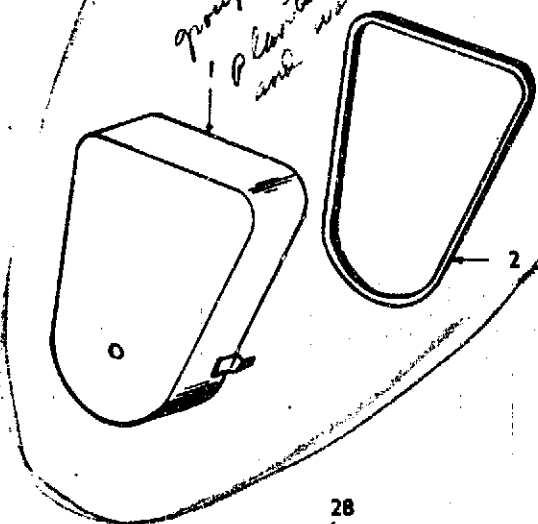
* - Order components by description from Jabsco Pump Co., 1485 Dale Way, Costa Mesa, California. Refer to pump part number 2C45, model number 5850.

OIL DRAIN AND OPTIONAL KEEL COOLING GROUP

Mod to raise group - used on all plants to run altern and water pump on engine



130-9100



See page 24 for 2nd view

REF. NO.	PART NO.	QUANTITY USED	PARTS DESCRIPTION
1	130D720	1	Guard, Fan
2	511P79	1	Belt, Chg. Alt.
3	T02A619	1	Adapter, Oil Drain
4	102P532	1	Gasket, Oil Drain
5	505-224	1	Nipple, Pipe - Oil Drain
6	505A135	1	Nipple, Half, Oil Drain
7	504-30	1	Valve, Oil Drain
8	503-262	1	Hose, Oil Drain
9	503-131	1	Clamp, Hose - Oil Drain
10	193A104	1	Element, Water Temp.
11	309A179	1	Switch, Water Hi-Temp.
12	193A108	1	Element, Oil Pressure
13	309B10	1	Switch, Low Oil Pressure
14	132P109	1	*Pump, Water
15	154P889	1	Manifold, Exhaust - Water Cooled
16	502-89	1	Connector, Water Line
17	502-74	1	Elbow, Water Line
18	130A723	1	Line, Water

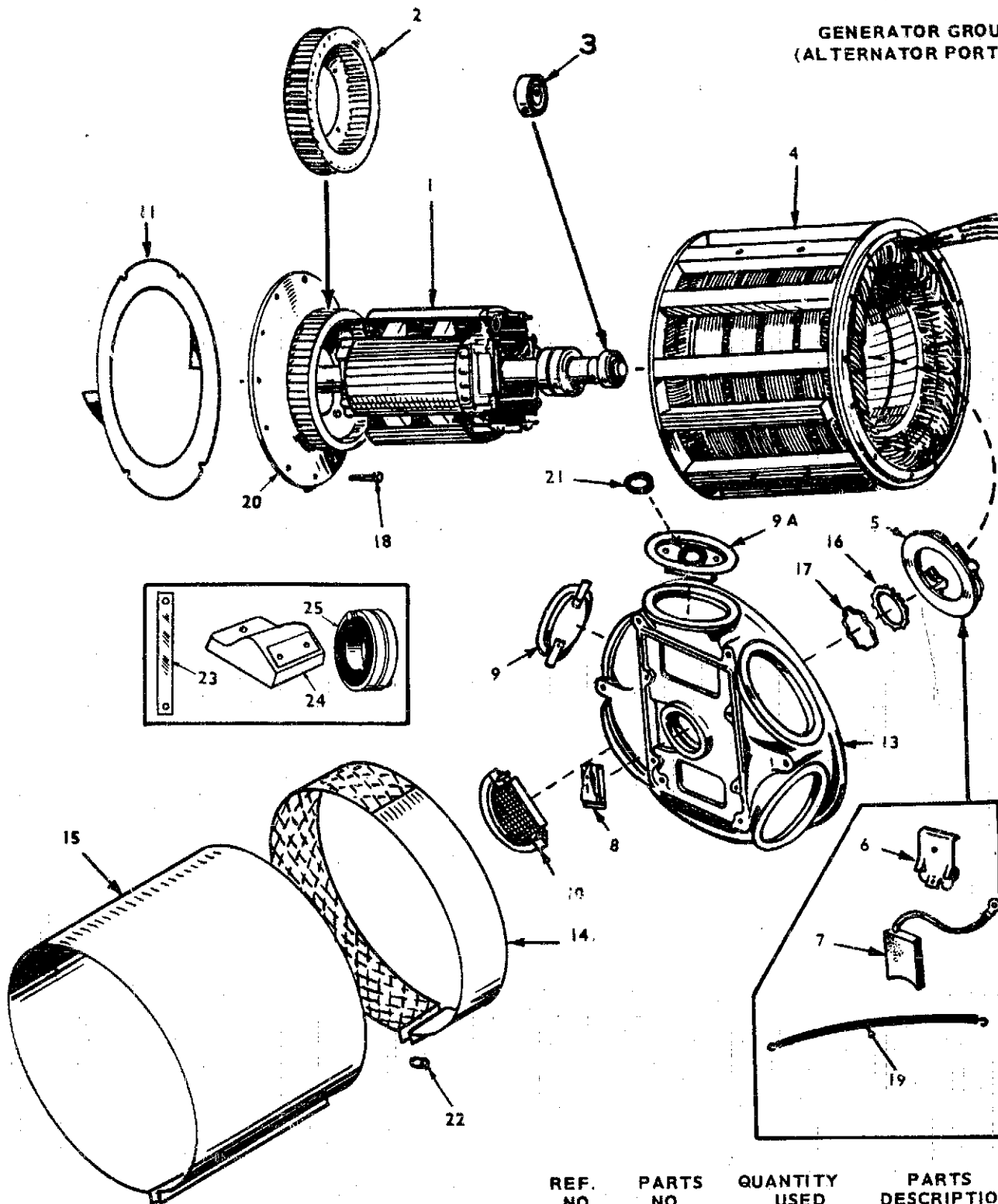
REF. NO.	PARTS NO.	QUANTITY USED	PARTS DESCRIPTION
19	503-183	2	Clamps, Hose
20		As Req.	Hose, Water - 1" I.D. x 1-3/8" O.D. (Bulk #503-249)
21	505-135	2	Nipple, Half (3/8 x 1-1/2")
22		As Req.	Hose, Water - 1/2" I.D. x 27/32" O.D. (Bulk #503-110)
23	505-120	2	Elbow, Street (3/8 x 90°)
24	148A274	1	Clamp, Hose
25	130P705	1	Tank, Expansion
26	505-656	1	Tee, Exhaust - Reducer
27	505-172	1	Nipple, Exhaust (2 x 2")
28	505P658	1	Elbow, Exhaust
29	130A725	1	Tube, Exh. Water Outlet
30	505-102	1	Nipple, Drain (3/4 x 1-3/8")
31	505-132	1	Elbow, Drain (3/4 x 90°)
32	505A324	2 3	Nipple, Half-Drain (3/4 x 2")
33	504-5	1	Valve, Drain
34	503-189	2 4	Clamp, Hose (1-1/2 x 13/16)

* - Order components by description from Jabsco Pump Co., 1485 Dale Way, Costa Mesa, California. Refer to pump part number 2C45, model number 5850.

Redistribution or publication of this document by any means, is strictly prohibited.



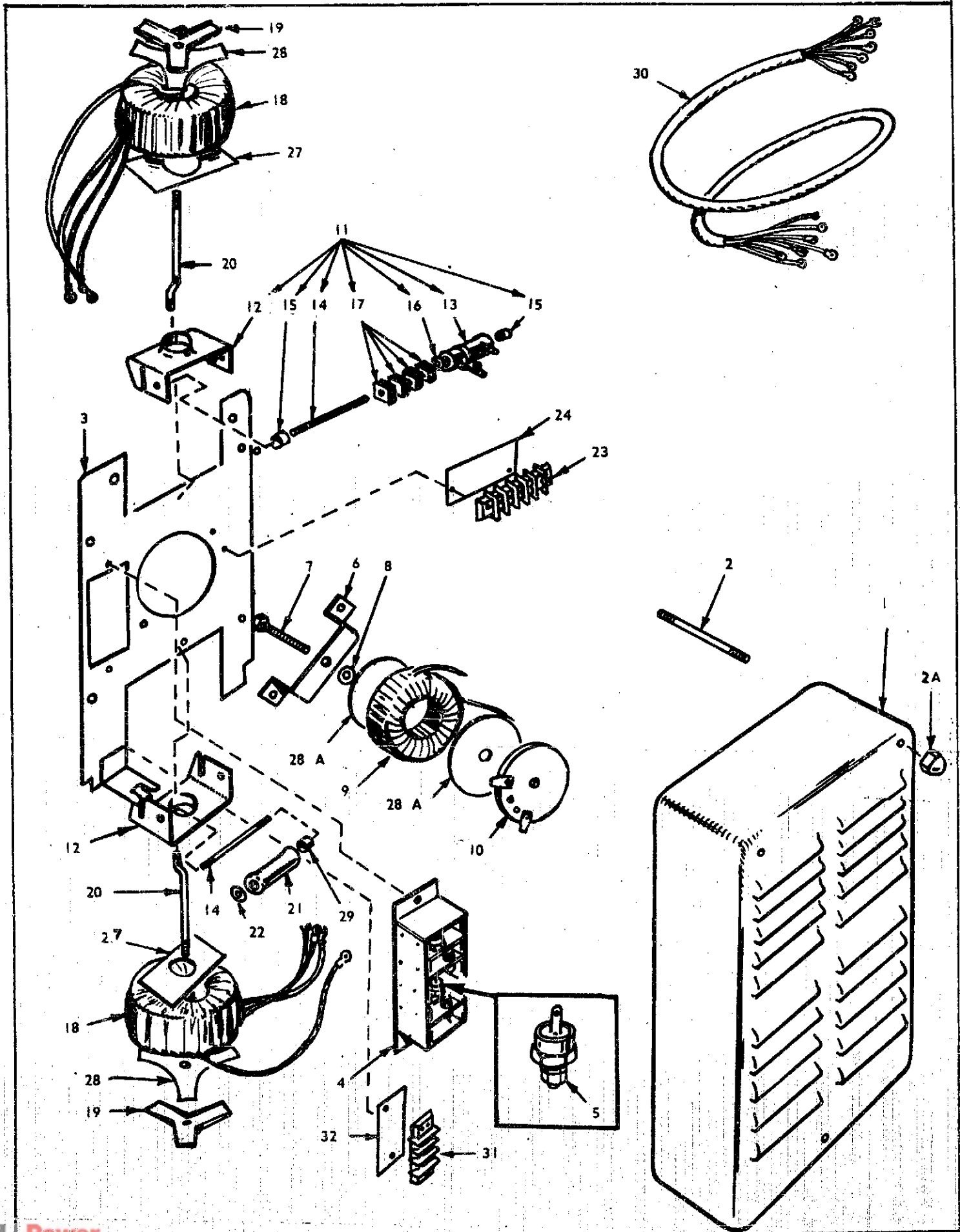
**GENERATOR GROUP
(ALTERNATOR PORTION)**



REF. NO.	PARTS NO.	QUANTITY USED	PARTS DESCRIPTION
1	*	1	Rotor Assy. Wound - Includes Brg. Blower & Drive Assy.
2	205B68	1	Blower
3	510P63	1	Bearing
4	*	1	Stator Assy. Wound
5	212C248	1	Rig Assy., Brush
6	212B1105	4	Spring, Brush
7	214A46	4	Brush
8	150A717	1	Switch Assy., Overspeed
9	232B1254	2	Cover, End Bell, Open. (Plain)
9A	234C226	1	Cover, End Bell Openings (w- Lead Hole) - Incl. Grommet
10	232B1253	2	Cover, End Bell Openings (Screened)
11	234C175	1	Scroll, Air
13	211E131	1	Bell, End
14	BAND, GEN.-FRONT (NARROW)		
	234C296	1	1-phase plants
	234C174	1	3-phase plants
15	BAND, GENERATOR -REAR (Wide)		
	234C176	1	1-Phase Plants
	234C173	1	3-Phase Plants
16	232A1186	1	Holder, Brg. (Anti-Rotation)
17	232A1187	1	Spring, Brg. Holder
18	815A292	6	Bolt, Shoulder (5/16-18")
19	336A209	2	Jumper, Brush Rig
20	232B1820	1	Disc, Drive
21	508-63	1	Grommet, End Bell Cover
22	232A1615	1	Spacer, Band
23	232A1842	As Req.	Shim, Drive Disc.
24	232C1556	2	Pad, Gen. Mtg.
25	204A83	1	Collector Ring

Order by description, giving complete Model and Serial Number (ONAN Nameplate).

Reproduction or publication of this document by any means is strictly prohibited.

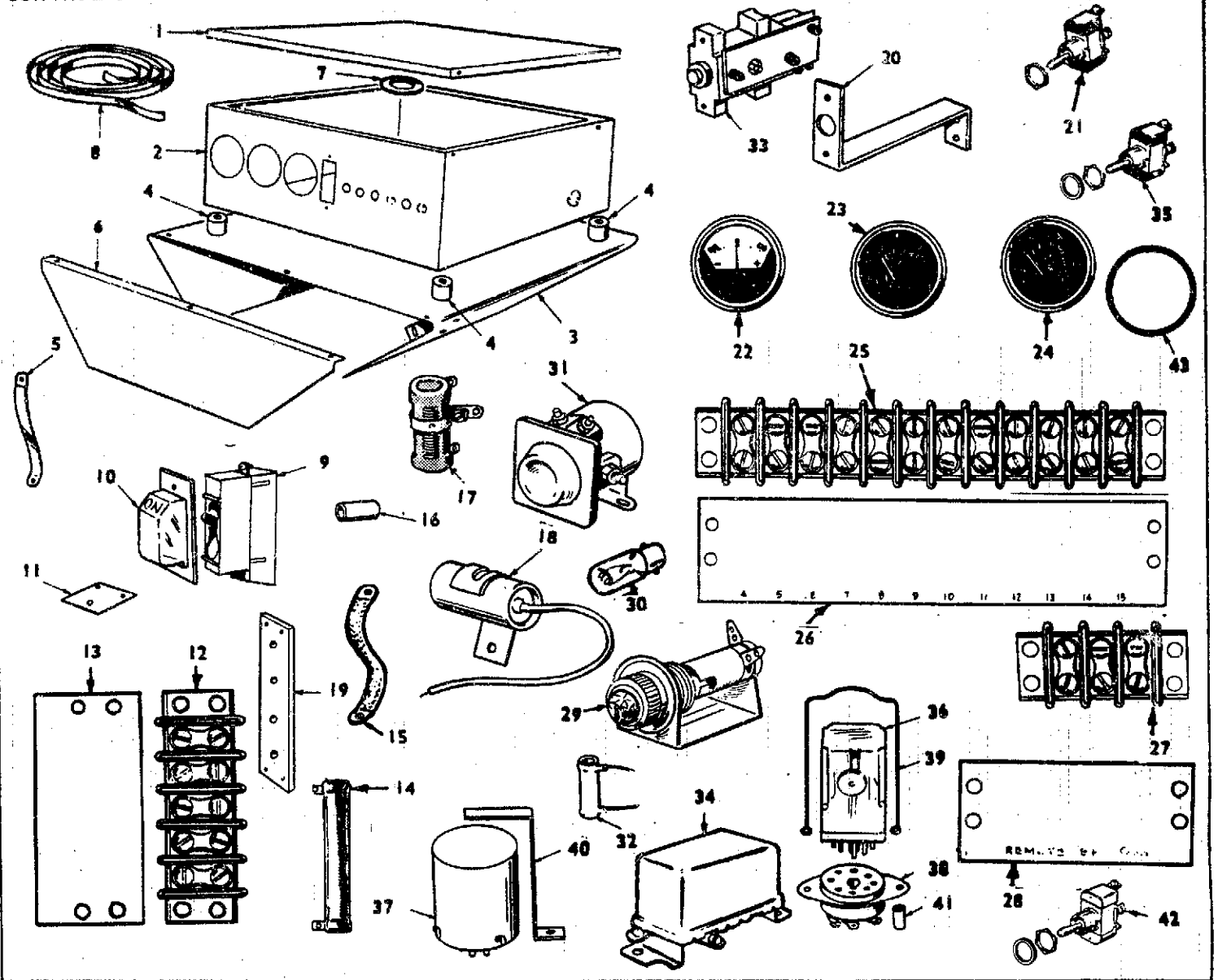




NOTE: Check Onan nameplate for correct Magneciter number. Select the part number column that applies to your plant.

REF. NO.	QTY. USED	PART DESCRIPTIONS	PART NUMBER	
			07SXINIC	07SX5INIC
	1	Exciter Complete (Less Cover)	209B16	209D19
1	1	Cover, Exciter	234D106	234D106
2	3	Stud, Exciter Cover Mtg.	520A575	520A575
2A	3	Nut, Exciter Cover Mtg.	866-1	866-1
3	1	Panel Only, Exciter	234D105	234D105
4	1	Rectifier Assy., Power	305B200	305B200
5	4	Rectifier Only, Power (Field)	305P239	305P239
6	1	Bracket Only, Overspeed Switch	150B733	150B733
7	1	Stud & Contact Point Assy., Voltage Control Reactor Mtg.	150A772	150A772
8	2	Fibre Washer (1/4 x 3/4 x 1/16")	508-18	508-18
8	1	Fibre Washer (1/4 x 3/8 x 1/32")	508-29	508-29
9	1	Reactor, Voltage Control	315A74	315B75
10	1	Block, Terminal - Volt. Cont. Reactor	332A687	332A687
11	1	Rectifier Assy., includes Parts Marked*	305B202	305B202
12	2	*Bracket, Gate Reactor Mtg. (1 Only in 305B202)	234B60	234B60
13	1	*Resistor, Control, Adj. (150-Ohm, 25-Watt)	304A5	304A5
14	2	*Stud, Res. & Rect. Mtg. (1 Only in 305B202)	520A579	520A579
15	2	*Spacer, Res. & Rect. to Stud	232A1473	232A1473
16	2	*Washer, Adj. Resistor Centering	304A14	304A14
17	4	*Rectifier, Reg. Control	305P208	305P208
18	2	Reactor, Gate	315A47	315A59
19	2	Retainer, Gate Reactor	234B62	234B62
20	2	Stud, Gate Reactor Mtg.	232A1361	232A1361
21	1	Resistor, Fixed (200-Ohm, 50-Watt)	304A21	304A21
22	2	Washer, Fixed Res. Centering	304A15	304A15
23	1	Block, Term. (5-Place)	332A604	332A604
24	1	Strip, Bik. Marker (5-Place)	332A678	332A678
27	2	Insulation, Gate Reactor to Mtg. Bracket	232A1547	232A1547
28	2	Insulation, Gate Reactor to Retainer	232A1546	232A1546
28A	2	Insulation, Volt. Cont. Reactor Mtg.	232A1548	232A1548
29	2	Spacer, Fixed Resistor to Stud	232A1474	232A1474
30	1	Wiring Harness	338B237	338B237
31	1	Block, Term. (4-Place)	332A537	332A537
32	1	Strip, Marker	332A686	332A686

CONTROL GROUP



REF. NO.	PARTS NO.	QUANTITY USED	PARTS DESCRIPTION
1	301B2919	1	Cover, Control Box
2	301D2918	1	Box Only, Control
3	301C2920	1	Bracket, Cont. Box Mtg.,
4	402-78	4	Mount, Rubber - Cont. Box Mtg.
5	337A44	1	Strap, Grd.
6	301B2921	1	Cover, Lead
7	508-63	1	Grommet (For 2-3/4" Hole)
8		1	Stripping, Weather 5 feet of Bulk Stock No. 895-89
9	320B170	1	Breaker, Circuit
10	320P305	1	Boot, Circuit Breaker
11	301A648	1	Plate, Grounding
12	332A604	1	Block, Term. (5-Place)
13	STRIP, TERMINAL BLOCK MARKER		
	333A689	1	Marked 32,33,34, E1, E2, For 120/240-V 1-Ph., 120/208-V 3-Ph. & 120/240-V 3-Ph.
	332A690	1	Marked 32,33,34,35,36, For 277/480-V 3-Ph., 220/380V 3-Ph. & 600-V 3-Ph.
14	304A479	1	Resistor, Fixed (425 Ohm, 50 Watt)
15	337A59	1	Strap, Ground
16	301A458	4	Spacer Term. Blk. Mtg.
17	304A159	1	Resistor, Adj. (75-Ohm, 25 Watt)
18	CONDENSER, OUTPUT TERMINAL SUPPRESSION		
	312A58	2	120/240-V 1-Ph.
	312A58	3	120/208-V 3-Ph.
	312A58	4	120/240-V 3-Ph.
	312A145	3	277/480-V 3-Ph. & 220/380-V 3-Ph.
19	332A1102	1	Block, Term. Output

REF. NO.	PART NO.	QTY. USED	PART DESCRIPTIONS
20	301A2678	1	Bracket, Cranking Limiter Mounting
21	308P248	1	Switch (Run-Stop-Remote)
22	302A61	1	Ammeter, Charge (30-0-30)
23	193B106	1	Gage, Water Temp.
24	193B107	1	Gage, Oil Pressure
25	332A607	1	Block, Term. (12-Place)
26	332A608	1	Strip, Marker (4 through 15)
27	332A611	1	Block, Term. (3-Place)
28	332A1009	1	Strip, Marker (Remote, B+ Ground)
29	322P69	2	Receptacle Assy., Pilot Light Bulb, Pilot Light
30	322-4	2	Bulb, Pilot Light
31	307B514	1	Relay, Starter Pilot (Plants with Opt. Manifold Htr. use 2)
32	304A192	1	Resistor, Fixed (3-Ohm, 10-W)
33	320B259	1	Limiter, Cranking
34	307B597	1	Relay, Fuel Solenoid
35	308-97	1	Switch, Manifold Heater (Opt.)
36	307P819	2	Relay (1) Start, Disc. (1) Emergency Latch
37	307A974	1	Relay, Time Delay - Oil Press.
38	323P52	3	Socket, Relay
39	307P778	2	Spring, Relay Holddown
40	301A2874	1	Clamp, Hold-Down - Time Delay Relay
41	332A943	6	Spacer, Relay Socket
42	308A249	1	Switch, Emergency Reset
43	509P104	3	Gasket, "O" Ring - Meter Mtg.