

# PARTS CATALOG

FOR



## ELECTRIC GENERATING PLANTS

# DEG

## SERIES

# ONAN

2515 UNIVERSITY AVE. S. E. • MINNEAPOLIS, MINNESOTA 55414

A DIVISION OF STUDEBAKER CORPORATION

IN CANADA: ONAN GENERATORS CANADA LTD., 233 CAMPBELL ROAD, GUELPH, ONTARIO  
INTERNATIONAL DISTRICT OFFICE: EMPIRE STATE BLDG., 350-5TH AVE., RM. 2204, NEW YORK 10001

977-306

Price \$1.00

A1

3A68 Printed in U.S.A.



Redistribution or publication of this document by any means, is strictly prohibited.



## PARTS CATALOG

This catalog applies to the standard **DEG** plants as listed below. Powered by a Ford model 2704E, spec C5PL engine (see Ford Manual). Engine parts modified or added by *Onan* will be in this list and have *Onan* part numbers. These supersede similar parts listed in the Ford manual. *Onan* parts are arranged in groups of related items and are identified by a reference. All parts illustrations are typical. Unless otherwise mentioned, parts are interchangeable. Right and left plant sides are determined by facing the front end of the engine.

### PLANT DATA TABLE

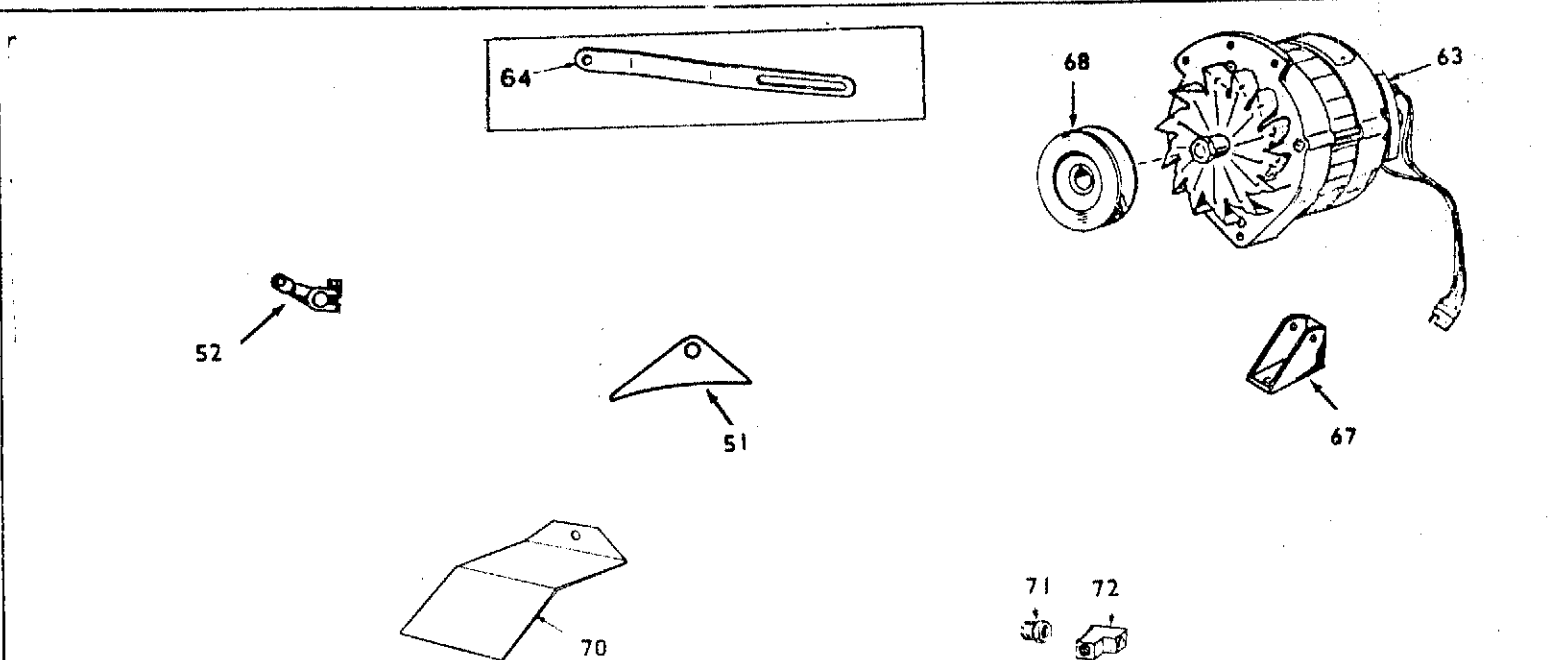
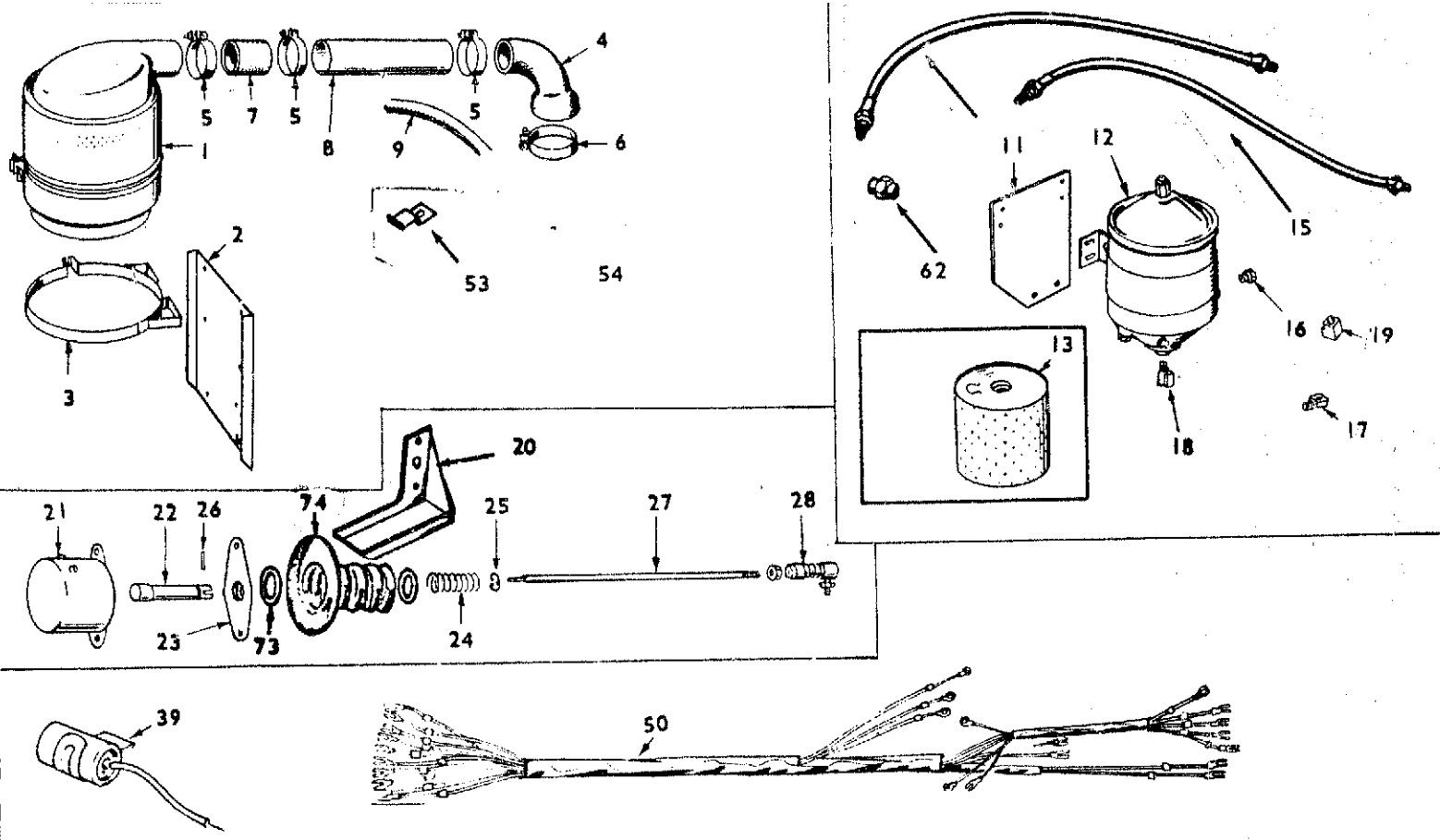
MODEL AND SPEC NO. *		ELECTRICAL DATA						
		HOUSED	UNHOUSED	WATTS***	VOLTS	CYCLES	PHASE	WIRE
40DEG-54R/	40DEG-54R8/			40,000	120/208	50	3	4
40DEG-55DR/**	40DEG-55DR8/**			40,000	120/240	50	3	4
40DEG-57R/	40DEG-57R8/			40,000	220/380	50	3	4
50DEG-3R/	50DEG-3R8/			50,000	120/240	60	1	3
50DEG-4R/	50DEG-4R8/			50,000	120/208	60	3	4
50DEG-5DR/**	50DEG-5DR8/**			50,000	120/240	60	3	4
50DEG-4XR/	50DEG-4XR8/			50,000	277/480	60	3	4
50DEG-7R/	50DEG-7R8/			50,000	220/380	60	3	4
50DEG-9R/	50DEG-9R/			50,000	600	60	3	3

\* - The Specification Letter advances (A to B, B to C, etc.) with manufacturing changes.

\*\* - This is a delta-wound 240-volt model with one phase center-tapped. A limited amount of 1-phase, 120/240-volt power can be utilized together with 3-phase power as long as no terminal current exceeds the rated nameplate current.

\*\*\* - Maximum rating is shown. Continuous rating also appears on nameplate.

REPLACEMENT ENGINE: Refer to factory giving complete Model, Spec, and Serial number.



FUEL SYSTEM AND MISCELLANEOUS PARTS GROUP

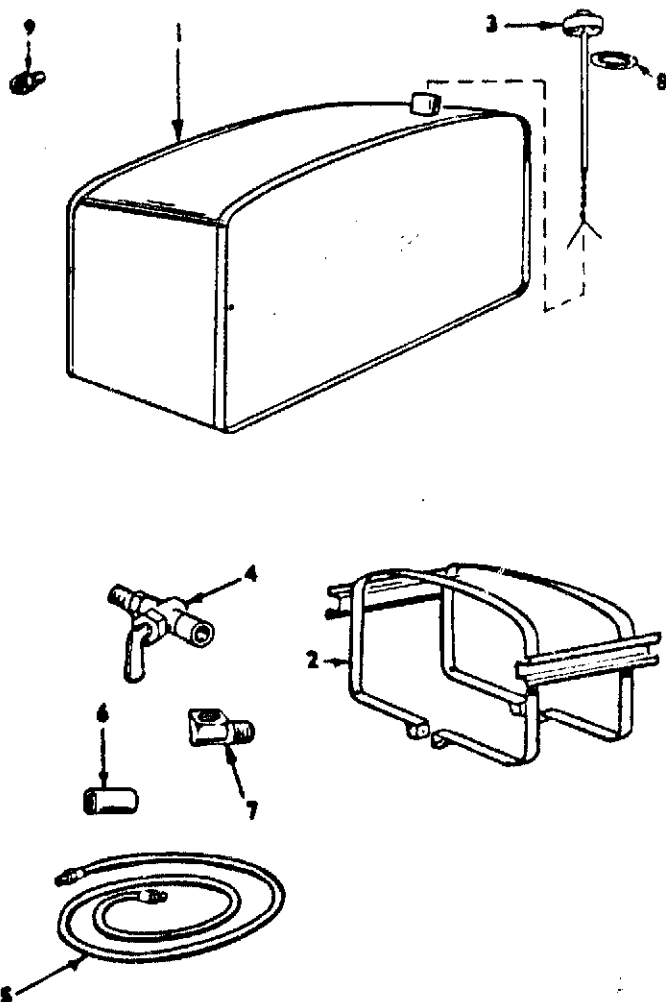
REF. NO.	PART NO.	QUANTITY USED	PARTS DESCRIPTION	REF. NO.	PART NO.	QUANTITY USED	PARTS DESCRIPTION
1	140B62	1	Cleaner, Air	13	149P846	1	Cartridge, Fuel Filter
2	140B764	1	Bracket, Air Clnr. Mtg.	14	501-4	1	Line, Fuel - Primary to Sec. Filter
3	140A80	2	Band, Air Clnr. Mtg.	15	501-3	1	Line, Fuel - Pump to Primary Filter
4	503B456	1	Hose, Air Clnr. Connector to Manifold	16	502-35	1	Connector, Primary Fuel Filter
5	503-465	3	Clamp, Air Clnr. Hose	17	502-55	1	Elbow, Secondary Filter
6	503-354	1	Clamp, Air Clnr. Hose	18	502-41	1	Elbow, Primary Filter
7	503A510	1	Hose, Air Clnr. To Connector	19	502-254	1	Tee, Fuel Return
8	140A968	1	Connector, Air Clnr. to Manifold Hoses	20	306B214	1	Bracket, Sol. Mtg.
9	503A545	1	Hose, Breather				
11	149B124	1	Plate, Primary Fuel Filter Mtg.				
12	149C1078	1	Filter, Fuel - Primary				



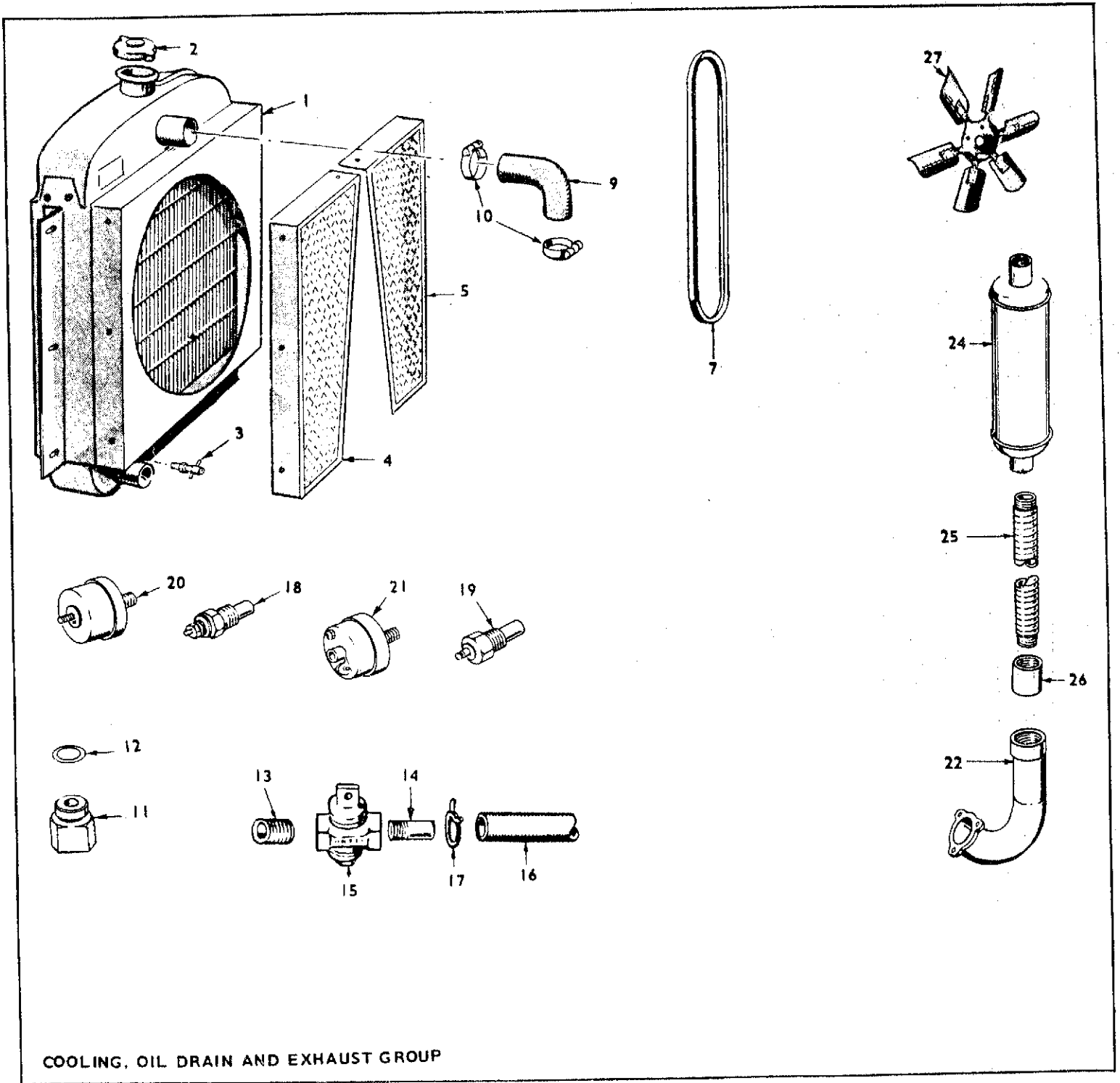
REF. NO.	PARTS NO.	QUANTITY USED	PARTS DESCRIPTION
21	307B628	1	Solenoid, Stopping (12 V)
22	306A199	1	Plunger, Stop Solenoid
23	306A162	1	Retainer, Stop Sol. Plunger
24	306A198	1	Spring, Stop Sol. Plunger
25	518-203	1	Ring, Snap - Sprg. Ret.
26	516P103	1	Pin, Roll - 1/8 x 1/2" - Sprg. Retg.
27	306A218	1	Rod, Stop Sol. to Joint
28	150A638	1	Joint Rod to Inj. Pump
39	312A58	2	Condenser
50	338-379	1	Harness, Engine Cont.
51	191A516	1	Cover, Starter Hole
52	150A1139	1	Lever, Gov. Stop
53	140A970	1	Clip, Breather Hose
54	403A315	2	Spacer, Air Cleaner Mtg. Brkt.

REF. NO.	PARTS NO.	QUANTITY USED	PARTS DESCRIPTION
62	502-51	1	Coupling Fuel
63	191B665	1	Alternator, Charge
64	191-101	1	Bracket, Alt. Adj.
67	191B679	1	Bracket, Alt. Mtg.
68	191-649	1	Pulley, Charge Alt.
70	191B619	1	Guard, Heat Shield
71	502-193	2	Connector, (1) Fuel Pump Inlet (1) Sec. Filter
72	502-5	1	Elbow, Fuel Pump Inlet
73	518-218	2	Ring, Retaining
74	306A193	1	Cover, Solenoid Plunger

#### MOUNTED FUEL TANK GROUP (OPTIONAL EQUIPMENT)

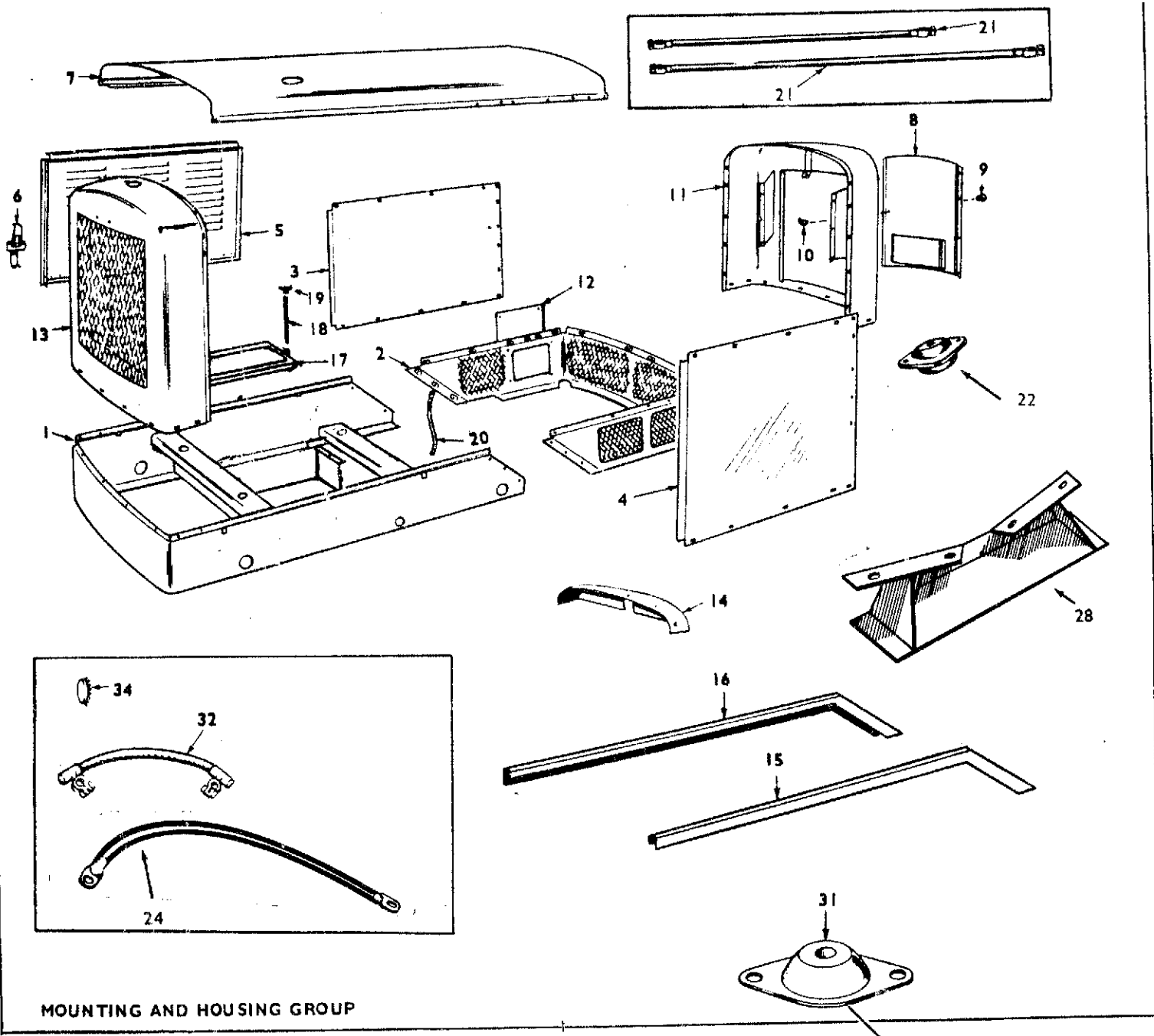


REF. NO.	PARTS NO.	QUANTITY USED	PARTS DESCRIPTION
1	159D490	1	Tank, Fuel
2	159D489	1	Strap Assy., Fuel Tank Mtg.
3	159D512	1	Cap & Ind., Fuel Tank
4	VALVE, SHUT-OFF		
	504-13	1	Fuel Supply - With Screen
	504A75	1	Fuel Supply --With Screen - Three-Way
	504-7	1	Fuel Return
	504-4	1	Fuel Return - Three-Way
5	LINE, FUEL		
	501A89	1	Fuel Supply (39')
	501A88	1	Fuel Return (28')
6	505-26	1	Coupling, Pipe 1/8"
7	502-20	1	Elbow, Street
8	159P751	1	Gasket, Gas Tank Filler Neck
9	502-3	1	Connector, Inv. Male (Use with Three-Way Valve)



COOLING, OIL DRAIN AND EXHAUST GROUP

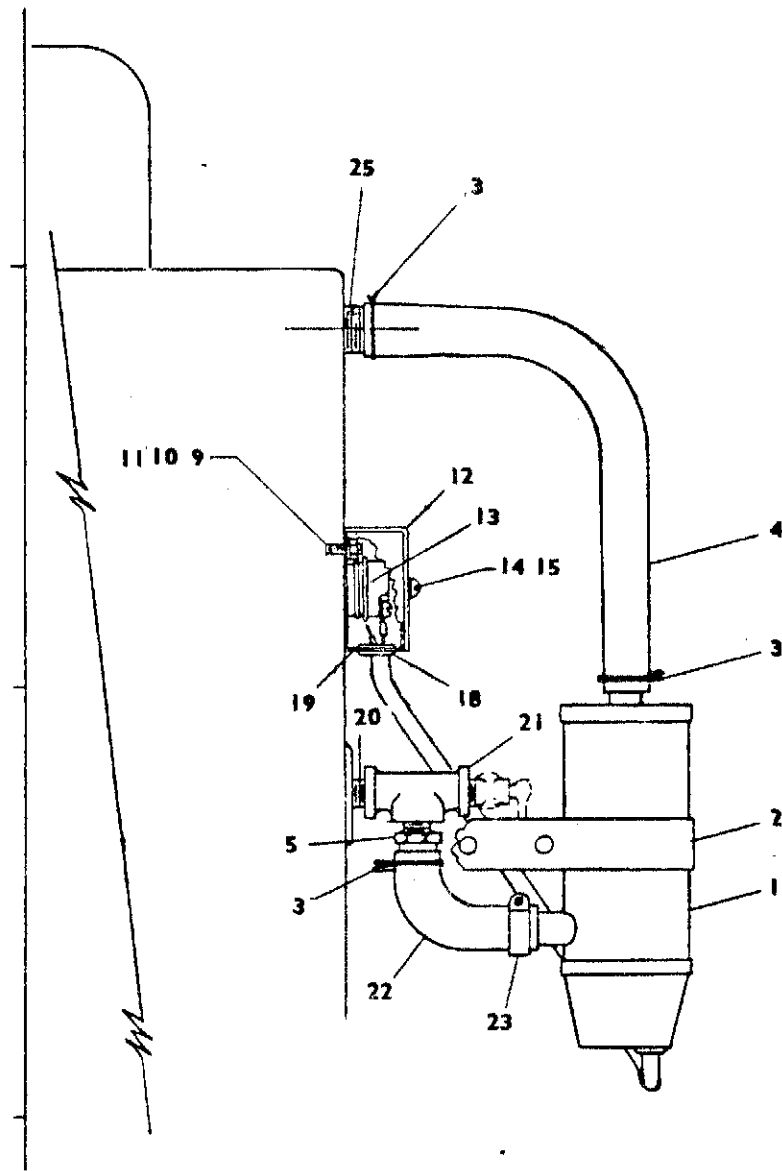
REF. NO.	PARTS NO.	QUANTITY USED	PARTS DESCRIPTION	REF. NO.	PARTS NO.	QUANTITY USED	PARTS DESCRIPTION
1	130D713	1	Radiator	17	503-131	1	Clamp, Hose - Oil Drain
2	130B449	1	Cap, Radiator	18	193A104	1	Element, Water Temp.
3	504-28	1	Valve, Rad. Drain	19	309A179	1	Switch, Water Hi-Temp.
4	130C352	1	Guard, Fan (R.H.)	20	193A108	1	Element, Oil Pressure
5	130C351	1	Guard, Fan (L.H.)	21	309B10	1	Switch, Low Oil Pressure
7	511P79	1	Belt, Chg. Alt. - Begin	22	155A864	1	Tube, Exhaust
9	503A441	2	Hose, Rad.	24	155C917	1	Muffler
10	503P311	4	Clamp, Hose	25	155A633	1	Tube, Exh. Flexible
11	102A553	1	Adapter, Oil Drain	26	505-203	1	Coupling, Exh. Tube
12	102P532	1	Gasket, Oil Drain	27	130C605	1	Blade, Fan
13	505-224	1	Nipple, Pipe - Oil Drain				
14	505A135	1	Nipple, Half, Oil Drain				
15	504-30	1	Valve, Oil Drain				
16	503-262	1	Hose, Oil Drain				



MOUNTING AND HOUSING GROUP

REF. NO.	PARTS NO.	QUANTITY USED	PARTS DESCRIPTION
1	403D814	1	Chassis, Front
2	403D697	1	Chassis, Rear (Housed)
3	405C1738	1	Panel, Left Side (Housed)
4	405C1739	1	Panel, Right Side (Housed)
5	405C1383	2	Panel, Door Side (Housed)
6	406A105	4	Clamp, Door (Housed)
7	405D1462	1	Panel, Top (Housed)
8	405B932	1	Panel, Rear Door (Housed)
9	406-2	1	Knob, Door (Housed)
10	406A88	1	Catch, Door (Housed)
11	405D1381	1	Panel, Rear (Housed)
12	403A373	1	Panel, Chassis (Housed)
13	405D1382	1	Panel, Front
14	405C1409	1	Extension Rad. Hood (Unhdsd.)
15	403C702	1	Trim, Chassis - R.H. (Unhdsd.)
16	403C703	1	Trim, Chassis - L.H. (Unhdsd.)
17	416C480	1	Frame, Battery Hold-down
18	520A656	1	Stud, Battery Hold-down
19	865-7	1	Wing Nut, Battery Hold-down
20	336A1499	1	Cable, Ground

REF. NO.	PARTS NO.	QUANTITY USED	PARTS DESCRIPTION
21	CABLE, BATTERY		
	416A530	1	16" Long
	416A531	1	24" Long
22	402P190	1	Mount Engine
24	416A532	1	Cable, Starter Motor Ground
28	403C785	1	Support, Gen Mtg.
31	402A209	2	Mount, Vibration, Gen. End
32	416A446	1	Cable, Batt. (9")
34	517-19	2	Plug, Dot Button - Rad. Panel (Unhdsd.)

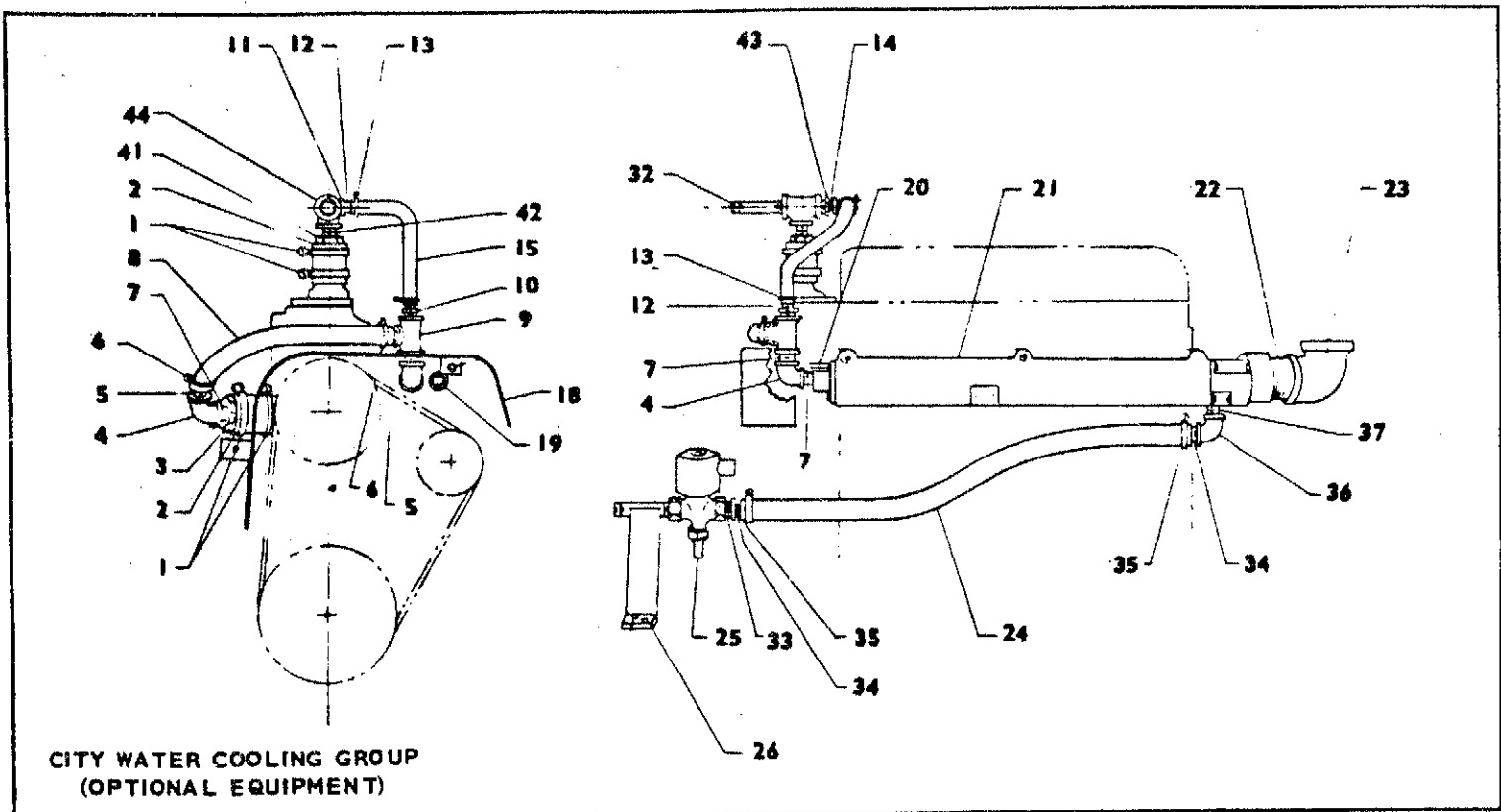


WATER HEATER GROUP (OPTIONAL EQUIPMENT)

REF. NO.	PARTS NO.	QUANTITY USED	PARTS DESCRIPTION	REF. NO.	PARTS NO.	QUANTITY USED	PARTS DESCRIPTION
1	333P52	1	Heater, Tank Type (1500 W.) Incl. Brkt. Hose Adapter & Cord	12	333A13	1	Cover, Therm. Mtg. Box
2		1	Clamp, Htr. Mtg. - NOT SOLD SEPARATELY (Incl. with tank assy.)	13	309P29	1	Thermostat, Heater Cont.
3	503-197	3	Clamp, Hose	14	850-25	2	Lockwasher (#8), Therm. Box Cover
4		As Req.	Hose (5/8" I.D. x 61/64" x 20") (Bulk #503P386)	15	812-76	2	Screw, RHS (#8-32) Therm. Box Cover
5		1	Adapter, Hose - NOT SOLD SEPARATELY (Incl. with tank assy.)	18	508-8	1	Grommet, Therm. Box
9	520A446	2	Stud, Therm. Box Mtg.	19	333A12	1	Box, Therm. Mtg.
10	850-30	2	Lockwasher (#10), Therm. Box Mtg.	20	505-71	1	Nipple, Pipe (1/4 x 2")
11	870-53	2	Nut, Hex (#10-32) - Therm. Box Mtg.	21	505-184	1	Tee, Pipe (1/4")
				22		As Req.	Hose (5/8" I.D. x 61/64" O.D. x 16") (Bulk #503P386)
				23	503-183	1	Clamp, Hose (Lower Tank Fitting)
				25	505-135	1	Nipple, Half - Pipe (3/8 x 1-1/2")

Redistribution or publication of this document by any means, is strictly prohibited.





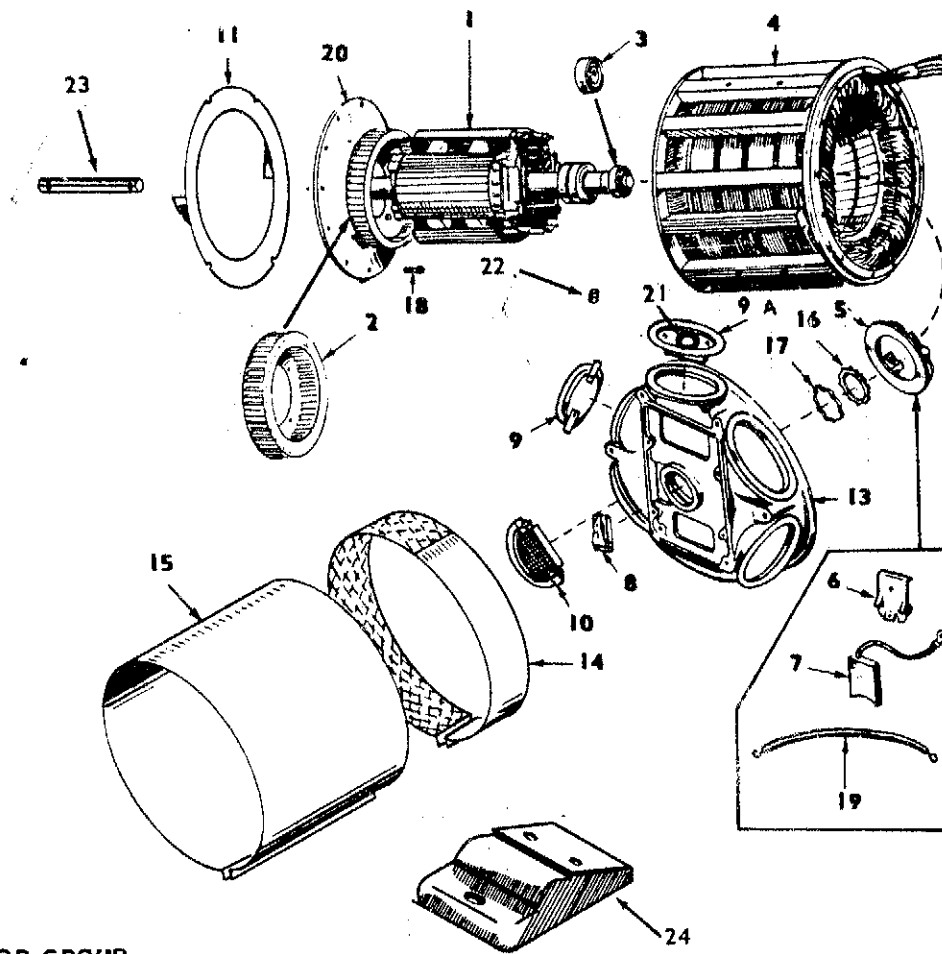
**REF. PARTS QUANTITY PARTS**  
**NO. NO. USED DESCRIPTION**

REF. NO.	PARTS NO.	QUANTITY USED	PARTS DESCRIPTION
1	503P4	4	Clamp, Hose (1-7/8")
2	503A3	2	Hose (1-1/2" I.D. x 1-7/8" O.D. x 2-1/2")
3	110A576	2	Adapter (1-1/2" I.D. Hose to 1/2" Pipe)
4	505-40	2	Elbow, Pipe (1/2" x 90°)
5	505-185	2	Nipple, Half - Pipe (1/2 x 1-1/2")
6	503-189	2	Clamp, Hose (1-1/2")
7	505-100	4	Nipple, Pipe (1/2 x 1-1/8")
8		As Req.	Hose (3/4" I.D. x 1-1/8" O.D. x 13") Bulk #503P191)
9	505-108	2	Tee, Pipe (1/2")
10	505-18	2	Bushing, Pipe - Red, (1/2 x 1/4")
11	505-38	1	Elbow, Pipe (1/4 x 90°)
12	505-10	2	Nipple, Half - Pipe (1/4" x 1")
13	503-32	2	Clamp, Hose (7/8")
14	505-99	1	Nipple (1/4 x 7/8")
15		As Req.	Hose (1/2" I.D. x 27/32" O.D. x 12") (Bulk #503-110)
18	191C523	1	Guard, Belt
19	505-56	1	Plug, Pipe (1/2")
20	RTF	1	Spacer, Belt Guard Mtg.
21	154P888	1	Manifold, Exhaust
22	505-172	1	Nipple, Pipe (2 x 2") - Exh.
23	505-175	1	Elbow, Pipe (2" x 90°) - Exh.

**REF. PARTS QUANTITY PARTS**  
**NO. NO. USED DESCRIPTION**

REF. NO.	PARTS NO.	QUANTITY USED	PARTS DESCRIPTION
24		As Req.	Hose (5/8" I.D. x 61/64" O.D. x 28") (Bulk #503P386)
25	307P182	1	Valve, Sol. - 12-Volt.
26	110A526	1	Bracket & Nipple, Water In.
32	505-337	1	Nipple, Pipe (3/4" x 4") - Water Out
33	505-19	1	Bushing (1/2 x 3/8")
34	505-135	2	Nipple, Half - Pipe (3/8 x 1-1/2")
35	503-183	2	Clamp, Hose (1-1/16")
36	505-39	1	Elbow, Pipe (3/8 x 90°)
37	505-101	1	Nipple, Pipe (3/8 x 1")
41	110A1543	1	Adapter
42	505-102	1	Nipple (3/4 x 1-3/8")
43	505-20	1	Bushing (3/4 x 1/4")
44	505-166	1	Tee (3/4")
	504-20	1	*Key, Valve
	504-19	1	*Valve, Lockshield
	154-525	1	*Backplate, Nipple & Bracket Assy. (Open Units Only)
	403-384	1	*Cover, Frt. Chassis (Open Units Only)
	191-101	1	*Bracket, Gen. - Adj.
	RTF	1	*Flange, Man. Exh. End
	RTF	1	*Flange, Man. Eater Out. End
	RTF	1	*Gasket, Man. Exh. Flange
	RTF	1	*Gasket, Man. Water Outlet Flange

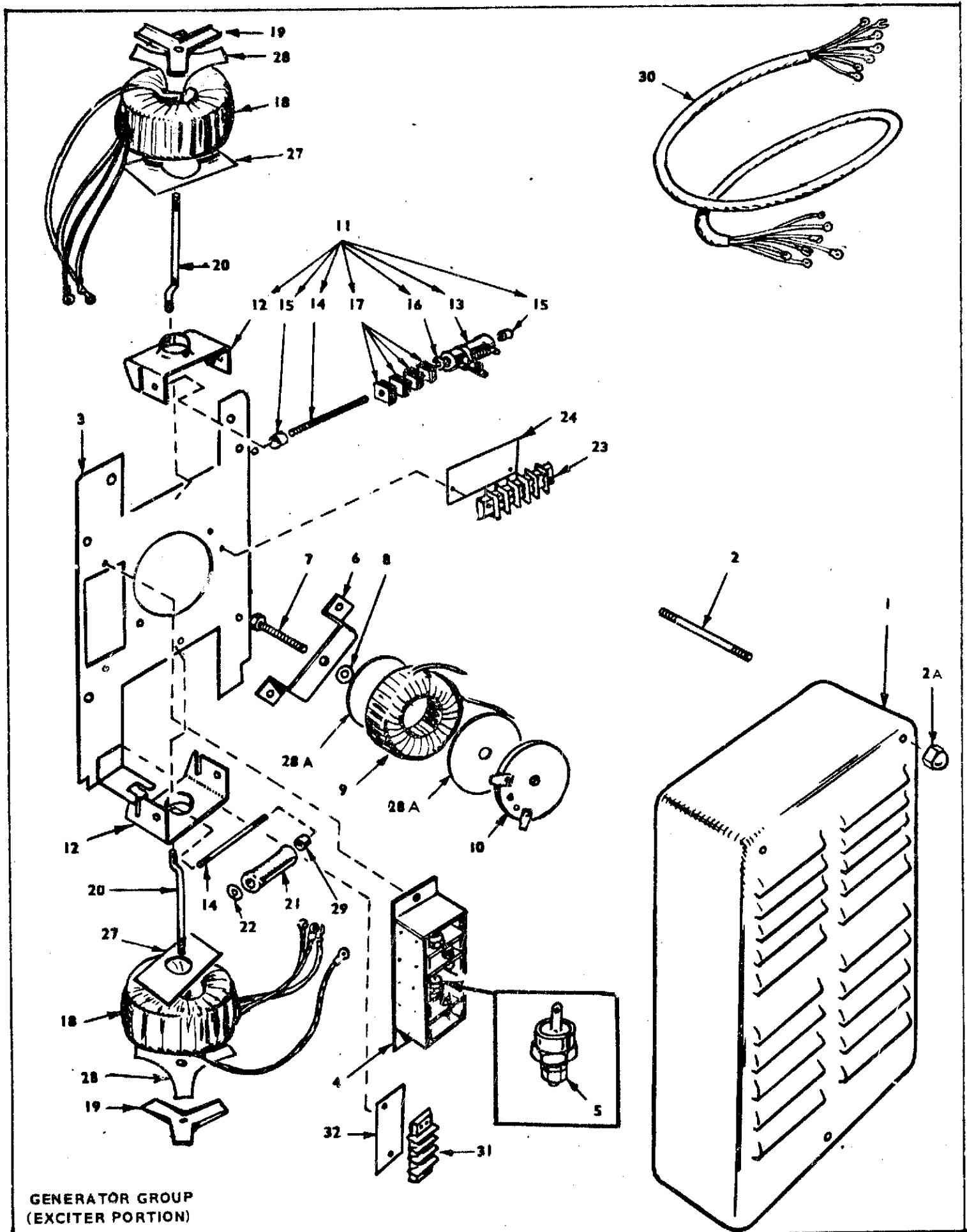
\* - These parts not shown on drawing.  
RTF - Refer to Factory, giving complete model, spec, serial number and description of part needed.



GENERATOR GROUP  
(ALTERNATOR PORTION)

REF. NO.	PARTS NO.	QUANTITY USED	PARTS DESCRIPTION	REF. NO.	PARTS NO.	QUANTITY USED	PARTS DESCRIPTION
1	*	1	Rotor Assy. Wound - Includes Brg. Blower & Drive Assy.	11	234C175	1	Scroll, Air
2	205B68	1	Blower	13	211E131	1	Bell, End
3	510P63	1	Bearing	14	234C174	1	Band, Gen. - Front (Narrow)
4	*	1	Stator Assy. Wound	15	BAND. GENERATOR - REAR (Wide)		
5	212C248	1	Rig Assy., Brush		234C201	1	1-Phase Plants
6	212B1105	4	Spring, Brush		234C178	1	3-Phase Plants
7	214A56	4	Brush	16	232A1186	1	Holder, Brg. (Anti-Rotation)
8	150A717	1	Switch Assy., Overspeed	17	232A1187	1	Spring, Brg. Holder
9	232B1254	2	Cover, End Bell, Open. (Plain)	18	815A292	6	Bolt, Shoulder (5/16-18'')
9A	234C226	1	Cover, End Bell Openings (W-Lead Hole) - Incl. Grommet	19	336A943	2	Jumper, Brush Rig
10	232B1253	2	Cover, End Bell Openings (Screened)	20	232B1820	1	Disc, Drive
				21	508-63	1	Grommet, End Bell Cover
				22	232A1615	1	Spacer, Band
				23	232A1842	As Req.	Shim, Drive Disc
				24	232C1556	2	Pad, Gen. Mtg.

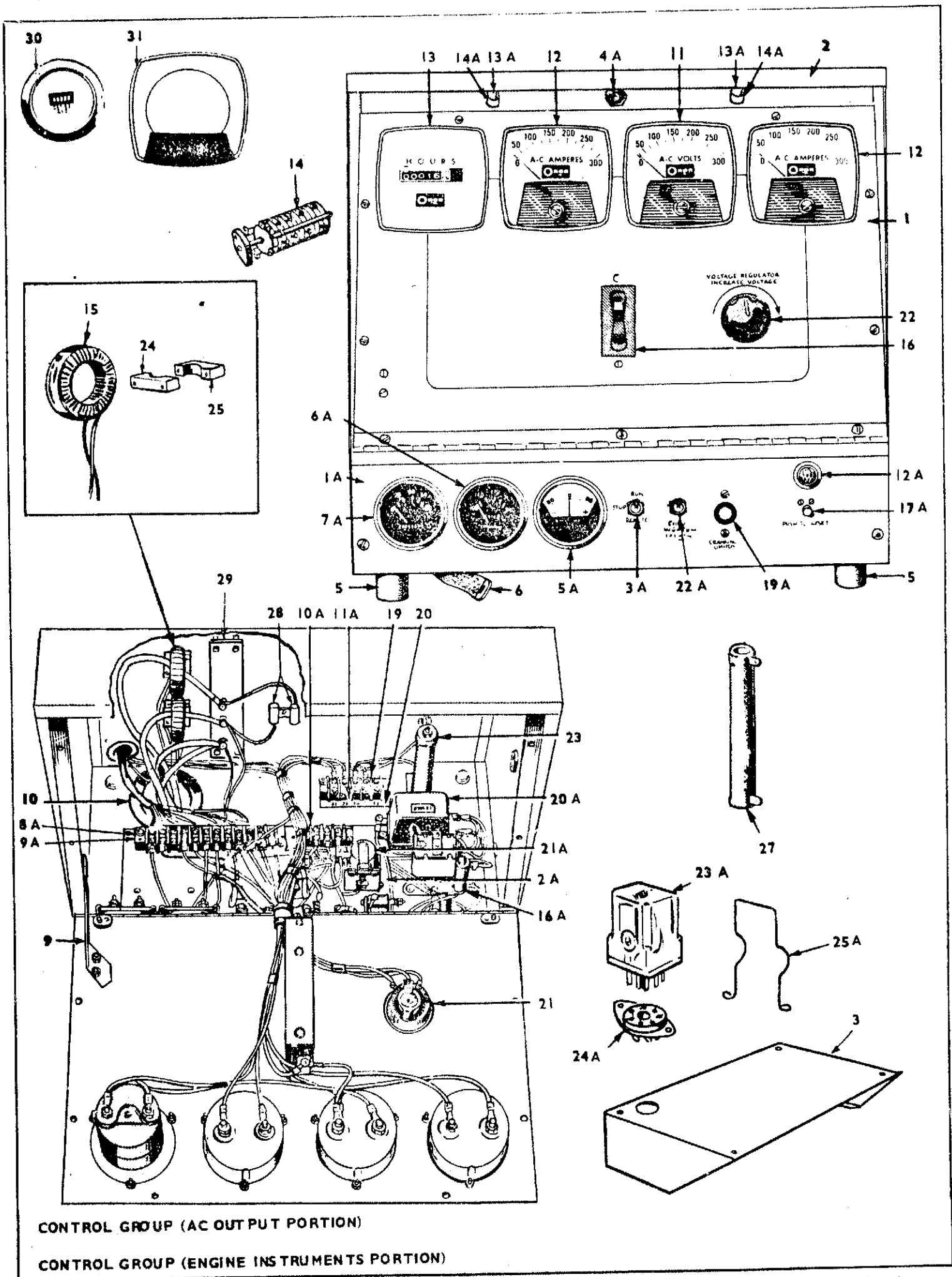
\* - Order by description, giving complete Model and Serial Number (ONAN Nameplate).



GENERATOR GROUP  
(EXCITER PORTION)

NOTE: Check Onan nameplate for correct Magneciter number. Select the part number column that applies to your plant.

REF. NO.	QTY. USED	PART DESCRIPTIONS	PART NUMBER	
			102SXIN1B	102SX5IN1B
	1	Exciter Complete (Less Cover)	209-21	209-23
1	1	Cover, Exciter	234D106	234D106
2	3	Stud, Exciter Cover Mtg.	520A575	520A575
2A	3	Nut, Exciter Cover Mtg.	866-1	866-1
3	1	Panel Only, Exciter	234D105	234D105
4	1	Rectifier Assy., Power	305B212	305B212
5	4	Rectifier Only, Power (Field)	305P244	305P244
6	1	Bracket Only, Overspeed Switch	150B733	150B733
7	1	Stud & Contact Point Assy., Voltage Control Reactor Mtg.	150A772	150A772
8	2	Fibre Washer (1/4 x 3/4 x 1/16")	508-18	508-18
8	1	Fibre Washer (1/4 x 3/8 x 1/32")	508-29	508-29
9	1	Reactor, Voltage Control	315A74	315A73
10	1	Block, Terminal - Volt. Cont. Reactor	332A687	332A687
11	1	Rectifier Assy., Includes Parts Marked*	305B202	305B202
12	2	*Bracket, Gate Reactor Mtg. (1 Only in 305B202)	234B60	234B60
13	1	*Resistor, Control, Adj. (150-Ohm, 25-Watt)	304A5	304A5
14	2	*Stud, Res. & Rect. Mtg. (1 Only in 305B202)	520A579	520A579
15	2	*Spacer, Res. & Rect. to Stud	232A1473	232A1473
16	2	*Washer, Adj. Resistor Centering	304A14	304A14
17	4	*Rectifier, Reg. Control	305P208	305P208
18	2	Reactor, Gate	315A57	315A63
19	2	Retainer, Gate Reactor	234B62	234B62
20	2	Stud, Gate Reactor Mtg.	232A1361	232A1361
21	1	Resistor, Fixed (200-Ohm, 50-Watt)	304A21	304A21
22	2	Washer, Fixed Res. Centering	304A15	304A15
23	1	Block, Term. (5-Place)	332A604	332A604
24	1	Strip, Blk. Marker (5-Place)	332A678	332A678
27	2	Insulation, Gate Reactor to Mtg. Bracket	232A1547	232A1547
28	2	Insulation, Gate Reactor to Retainer	232A1546	232A1546
28A	2	Insulation, Volt. Cont. Reactor Mtg.	232A1548	232A1548
29	2	Spacer, Fixed Resistor to Stud	232A1474	232A1474
30	1	Wiring Harness	338B237	338B237
31	1	Block, Term. (4-Place)	332A537	332A537
32	1	Strip, Marker	332A686	332A686



CONTROL GROUP (AC OUTPUT PORTION)

CONTROL GROUP (ENGINE INSTRUMENTS PORTION)

NOTE: Unhoused plants with optional Meter Panel, use parts marked (£) as listed for Housed Plants.  
**CONTROL GROUP (AC Output Portion)**

REF. NO.	PARTS NO.	QUANTITY USED	PARTS DESCRIPTION
1	£PANEL ONLY - UPPER CONTROL		
	301C1810	1	1-Phase - Housed Plants
	301C1814	1	3-Phase - Housed Plants
	301C1809	1	All Unhoused Plants
	301C1825	1	1-ph. Hsd. Plts. w/opt. Freq. Meter
	301C1815	1	3-ph. Hsd. plts. w/opt. Freq. Meter
2	301D2115	1	Box Only, Control
3	301B2539	1	Bracket, Cont. Box Mtg., Unhoused Plants
5	402-78	4	Mount, Rubber - Cont. Box Mtg. Unhoused Plants
6	337A44	1	Strap, Grd. - Unhoused Plants
9	301A1914	1	Bracket, Panel Stop
10	508-63	1	Grommet (For 2-3/4" Hole)
11	VOLTMETER, AC (Check Scale and Select According to Rating)		
	302P421	1	Voltmeter Scale 0-300
	302P422	1	Voltmeter Scale 0-600
	302P423	1	Voltmeter Scale 0-750
12	£AMMETER, AC - HOUSED PLANTS (Check Scale and Select According to Rating) NOTE: 1-Phase use 2.		
	302P405	1	Ammeter Scale 0-50
	302P406	1	Ammeter Scale 0-75
	302P408	1	Ammeter Scale 0-100
	302P410	1	Ammeter Scale 0-150
	302P411	1	Ammeter Scale 0-200
	302P412	1	Ammeter Scale 0-250
13	£METER, RUNNING TIME - HOUSED PLANTS 60-Cycle Plants		
	302P465	1	120/240-V, 1-Ph., 120-208-V, 3-Ph., 120/240-V, 3-Ph. & 600-V, 3-Ph.
	302P466	1	220/380-V, 3-ph
	302P467	1	277/480-V, 3-Ph 50-Cycle Plants
	302P468	1	120/240-V, 1-Ph., 120/208-V 3-Ph., 120/240-V 3-Ph. & 600-V 3-Ph.
	302P469	1	220/380-V 3-Ph.
	302P470	1	277/480-V 3-Ph.
14	308-22	1	Switch, Volt. & Current Sel., Housed Plants, 3-Ph.
15	£TRANSFORMER, CURRENT, HOUSED PLANTS, (Check Transformer Nameplate, Select According to Rating)		
	302B106	3	Nameplate Ratio 200/5 (Use with 0-200 AC Ammeter)
	302B76	3	Nameplate Ratio 75/5 (Use with 0-75 AC Ammeter)
	302B78	3	Nameplate Ratio 100/5 (Use with 0-100 AC Ammeter)
	302B79	3	Nameplate Ratio 150/5 (Use with 0-150 AC Ammeter)
	302B209	3	Nameplate Ratio 250/5 (Use with 0-250 AC Ammeter) 2 Only for 1-Ph.)
16	BREAKER, CIRCUIT		
	320B170	1	1-Phase Plants
	320B2	1	3-Phase Plants
17	332A592	As Req.	Jumper, Ground
18	301A648	1	Plate, Grounding

REF. NO.	PARTS NO.	QUANTITY USED	PARTS DESCRIPTION
19	332A604	1	Block, Term. (5-Place)
20	STRIP, TERMINAL BLOCK MARKER		
	332A689	1	Marked 32, 33, 34, E1, E2, For 120/240-V 1-Ph., 120/208-V 3-Ph. & 120/240-V 3-Ph.
	332A690	1	Marked 32, 33, 34, 35, 36, For 277/480-V 3-Ph., 220/380V 3-Ph. & 600-V 3-Ph.
21	303-97	1	Rheostat, Volt. Reg.
22	303-32	1	Knob, Rheostat
23	304A479	1	Resistor, Volt. Reg.
24	302A235	3	£Clamp, Current Trans. Mtg., Inside Half (Note: Use 2 for 1-Ph.) Housed Plants
25	302A236	3	£Clamp, Current Trans. Mtg., Outside Half (Note: Use 2 for 1-Ph.) Housed Plants
27	304A536	1	£Resistor, Fixed (9000-Ohm, 50-Watt) Off Running Time Meter, 600-V 3-Ph., Hsd. Plts.
28	CONDENSER, OUTPUT TERMINAL SUPPRESSION		
	312A58	2	120/240-V 1-Ph.
	312A58	3	120/208-V 3-Ph.
	312A58	4	120/240-V 3-Ph
	312A145	3	277/480-V 3-Ph. & 220/380-V 3-Ph.
29	332A513	1	Block, Term., Output
30	METER, FREQUENCY - OPTIONAL		
	302-213	1	60-Cycle
	302-234	1	50-Cycle
31	302B448	1	Plate, Meter Face - Opt.

**CONTROL GROUP (Engine Instruments Portion)**

1A	301C2124	1	Panel Only, Lower Cont.
2A	301A1685	1	Bracket, Time Delay Relay Mounting
3A	308P138	1	Switch (Run-Stop-Remote)
4A	308-2	1	Switch, Panel Light
5A	302A61	1	Ammeter, Charge (30-0-30)
6A	193B106	1	Gage, Water Temp.
7A	193B107	1	Gage, Oil Pressure
8A	332A607	1	Block, Term. (12-Place)
9A	332A608	1	Strip, Marker (4 through 15)
10A	332A611	1	Block, Term. (3-Place)
11A	332A762	1	Strip, Marker (Remote, B+, Ground)
12A	322P69	1	Receptacle Assy., Pilot Light
13A	322P72	2	Receptacle, Panel Light
14A	322-4	3	Bulb, (2) Panel (1) Pilot
15A	307B514	1	Relay, Starter Pilot (Plants with Opt. Manifold Htr. use 2)
16A	304A192	1	Resistor, Fixed (3-Ohm, 10-W)
17A	307A655	1	Relay, Emergency Latch
19A	307B52	1	Relay, Start-Disconnect
19A	320A104	1	Limiter, Cranking
20A	307B597	1	Relay, Fuel Solenoid
21A	307A388	1	Relay, Time Delay, Low Oil Pressure Switch
22A	308-37	1	Switch, Manifold Heater (Opt.)
23A	307P819	1	Relay, Start, Disc.
24A	323P52	1	Socket, Relay
25A	307P778	1	Spring, Start-Disc. Relay Hold-down