

The following catalog has gaps in its page numbers, or doesn't have any numbers. We have chosen to leave the page numbering in the order that Acrobat assigns it.

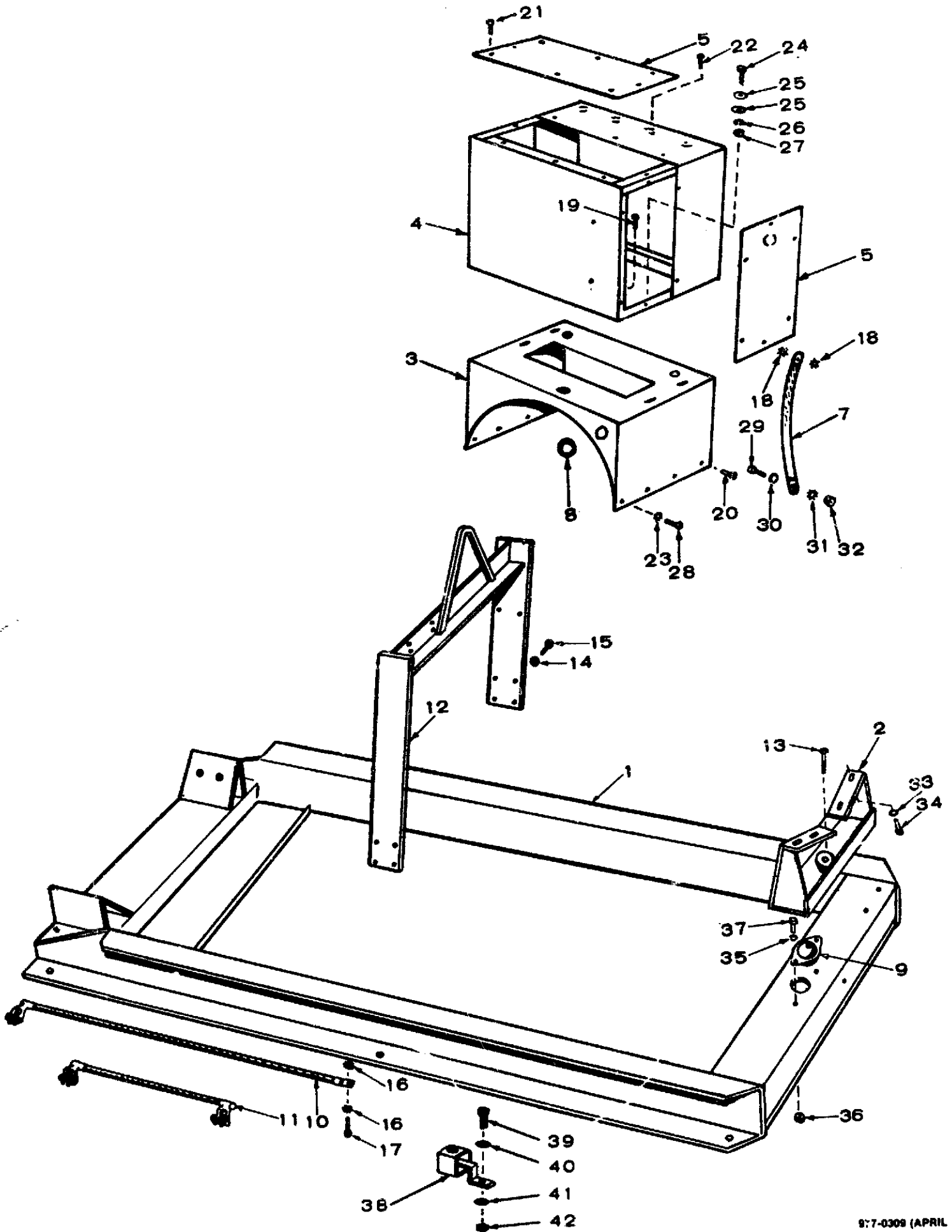
MISCELLANEOUS ENGINE PARTS

REF. NO.	PART NO.	QTY. USED	PART DESCRIPTION	REF. NO.	PART NO.	QTY. USED	PART DESCRIPTION
1	140-1091	1	Cleaner, Air	38	ELEMENT, ENGINE COOLANT TEMPERATURE		
2	503-0597	1	Hose, Air Cleaner	193-0246	1	Begin Spec J	
3	503-0354	2	Clamp, Air Cleaner Hose	193-0104	1	Spec E through H	
4	306-0214	1	Bracket, Solenoid Mounting	39	309-G179	1	Switch, Engine Coolant Hi-Temperature
5	307-0628	1	Solenoid, Stop (12 Volt)	40	ELEMENT, OIL PRESSURE		
6	306-0222	1	Plunger, Stop Solenoid	193-0244	1	Begin Spec J	
7	518-0203	1	Ring, Retaining	193-0108	1	Specs E through H	
8	518-0218	2	Ring, Retaining	41	309-0169	1	Switch, Low Oil Pressure
9	306-0161	1	Spring, Plunger	42	800-0095	1	Screw (1/2-13 x 2-1/4") - Alternator Mounting
10	306-0162	1	Spacer, Solenoid Mounting	43	862-0016	1	Nut, Hex (1/2-13) - Alternator Mounting
11	306-0226	1	Brace, Solenoid Bracket	44	850-0060	1	Washer, Lock (1/2) - Alternator Mounting
12	306-0193	1	Cover, Solenoid Plunger	45	115-0025	2	Nut, Hex (1/4)
13	516-0103	1	Pin, Roll (1/8 x 1/2") - Spring Retaining	46	856-0010	1	Washer, Lock EIT (3/8")
14	306-0215	1	Rod, Stop Solenoid to Joint	47	800-0047	1	Screw, Cap - Hex Head (3/8-16 x 5/8")
15	150-0638	1	Joint, Rod to Injection Pump	48	800-0025	1	Screw, Cap - Hex Head (5/16-18 x 5/8")
16	312-0027	1	Condenser	49	850-0055	2	Washer, Lock - Spring (7/16")
17	511-0084	1	Belt, Charge Alternator Drive	50	800-0069	2	Screw, Cap - Hex Head (7/16-14 x 3/4")
18	502-0051	1	Coupling, Pipe (1/8")	51	812-0151	2	Screw, Machine - Round Head (1/4-20 x 3/4")
19	191-0802	1	Cover, Starter Motor Hole	52	850-0040	2	Washer, Lock - Spring (1/4")
20	502-0361	1	Tee, Fuel Return (1/8")	53	862-0001	2	Nut, Hex (1/4-20)
21	191-0682	1	*Alternator, Charge (Motorola #70D44476B01)	54	850-0050	2	Washer, Lock - Spring (3/8")
22	191-0101	1	Bracket, Alternator Adjusting	55	800-0048	2	Screw, Cap - Hex Head (3/8-16 x 7/8")
23	191-0786	1	Bracket, Alternator Mounting	56	800-0025	1	Screw, Cap - Hex Head (5/16-18 x 5/8")
24	191-0781	1	Pulley, Charge Alternator	57	526-0100	1	Washer, Flat (9/16" ID x 1-3/8" OD x 7/64" Thk)
25	191-0681	1	Cable, Alternator to Regulator	58	850-0045	1	Washer, Lock - Spring (5/16")
26	502-0193	1	Connector, Fuel Pump Inlet (1/8")	130-1015	1	Outlet, Water (Not Illustrated)	
27	191-0725	1	Guard, Alternator Belt	130-1016	1	Gasket, Water Outlet (Not Illustrated)	
28	332-1292	1	Bracket, Terminal				
29	191-0683	1	Regulator, Alternator				
30	140-1089	1	Element, Air Cleaner				
31	102-0619	1	Adapter, Oil Drain				
32	102-0532	1	Gasket, Oil Drain				
33	505-0224	1	Nipple, Pipe - Oil Drain				
34	505-0135	1	Nipple, Half, Oil Drain				
35	504-0030	1	Valve, Oil Drain				
36	503-0484	1	Hose, Oil Drain				
37	503-0131	1	Clamp, Hose - Oil Drain				

* - For components, contact your nearest Motorola dealer or: Motorola Automotive Products, Inc., 9401 W. Grand Ave., Franklin Park, Illinois 60131.

977-0309 (APRIL 1979)

MOUNTING



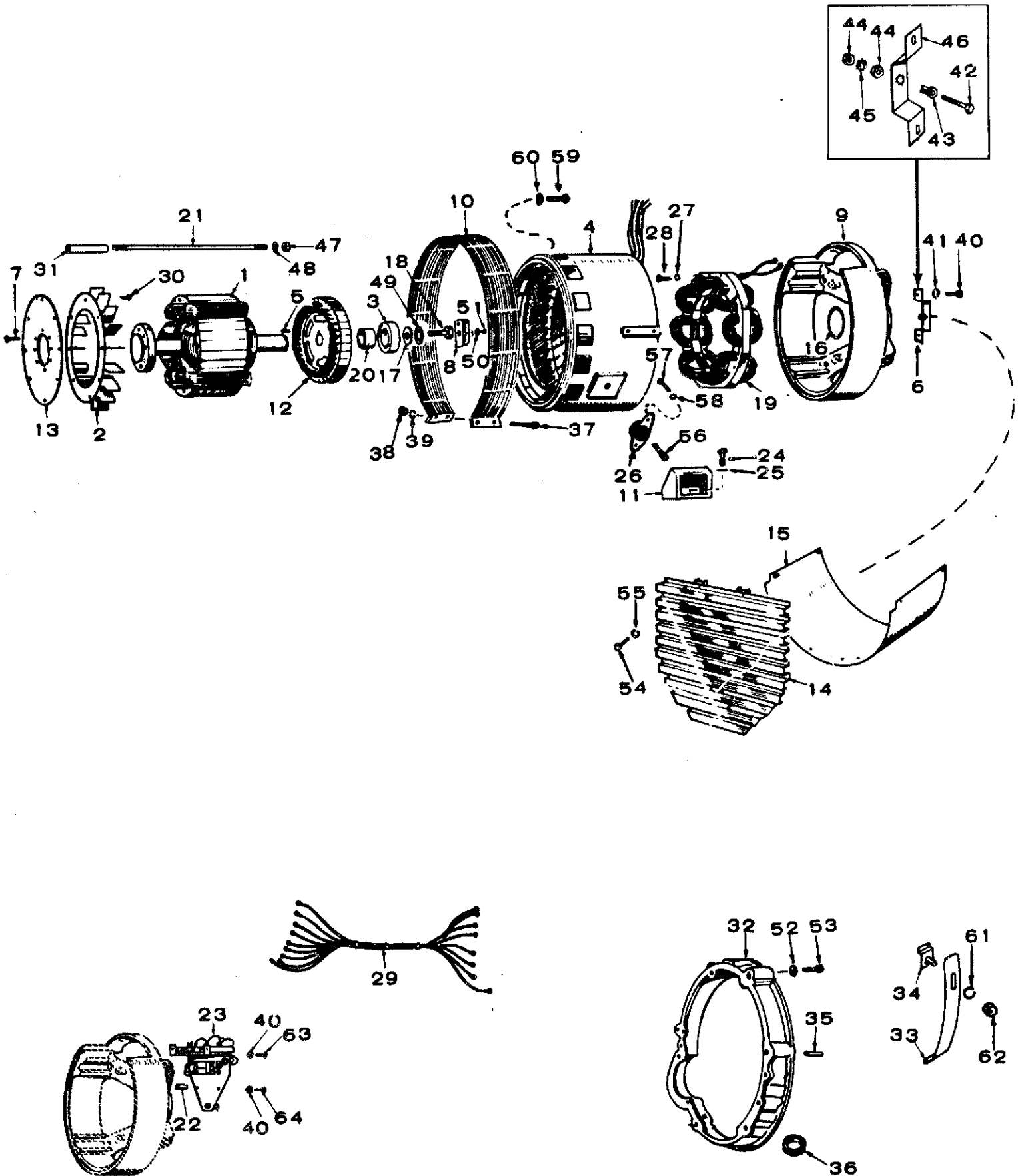
97-7-0309 (APRIL 1979)

MOUNTING

REF. NO.	PART NO.	QTY. USED	PART DESCRIPTION	REF. NO.	PART NO.	QTY. USED	PART DESCRIPTION
1	403-0918	1	Base, Skid	22	821-0014	4	Screw, Cap - Hex Head - Self Locking (5/16-18 x 1/2")
2	403-0910	1	Support, Engine Mount	23	853-0016	4	Washer, Lock - ET (5/16")
3	301-3154	1	Saddle, Control Box Housing	24	800-0003	4	Screw, Cap - Hex Head (1/4-20 x 1/2")
4	301-3155	1	Housing, Control Box	25	526-0018	8	Washer, Flat (17/64" ID x 5/8" OD x 1/16" Thk)
5	301-3156	3	Panel, Control Box Housing (Side)	26	850-0040	4	Washer, Lock - Spring (1/4")
7	337-0090	1	Strap, Ground	27	862-0001	4	Nut, Machine - Hex (1/4-20)
8	508-0203	1	Grommet, Rubber - Control Box Housing	28	800-0537	4	Screw, Cap - Hex Head (5/16-18 x 1/2")
9	402-0371	1	Cushion, Vibration - Engine End	29	800-0091	1	Screw, Cap - Hex Head (1/2-13 x 1-1/4")
10	CABLE, BATTERY			30	850-0060	1	Washer, Lock - Spring (1/2")
	416-0530	1	16" Long (Negative)	31	856-0013	1	Washer, Lock - EIT (1/2")
	416-0531	1	24" Long (Positive)	32	862-0016	1	Nut, Hex (1/2-13)
11	416-0446	1	Cable, Battery (9")	33	850-0050	2	Washer, Lock - Spring (3/8")
12	403-0836	1	Bracket, Lifting	34	800-0050	2	Screw, Cap - Hex Head (3/8-16 x 1")
13	800-0520	3	Screw (3/4-10 x 1") - Cushion Mounting	35	850-0060	2	Washer, Lock - Spring (1/2")
14	850-0055	8	Washer, Lock - Spring (7/16")	36	862-0016	2	Nut, Hex (1/2-13)
15	800-0072	8	Screw, Cap - Hex Head (7/16-14 x 1-1/4")	37	800-0090	2	Screw, Cap - Hex Head (1/2-13 x 1")
16	856-0012	2	Washer, Lock EIT (7/16")	38	332-1475	1	Lug, Solderless
17	800-0069	1	Screw, Cap - Hex Head (7/16-14 x 3/4")	39	800-0028	1	Screw, Cap - Hex Head (5/16-18 x 1")
18	856-0012	2	Washer, Lock EIT (7/16")	40	850-0045	1	Washer, Lock - Spring (5/16")
19	821-0010	3	Screw, Cap - Hex Head - Self Locking (1/4-20 x 1/2")	41	856-0008	1	Washer, Lock - External/Internal (5/16")
20	821-0010	4	Screw, Cap - Hex Head - Self Locking (1/4-20 x 1/2")	42	862-0015	1	Nut, Hex (5/16-18)
21	815-0028	18	Screw, Machine - Truss Head (#10-32 x 3/8")				

977-0309 (APRIL 1979)

GENERATOR



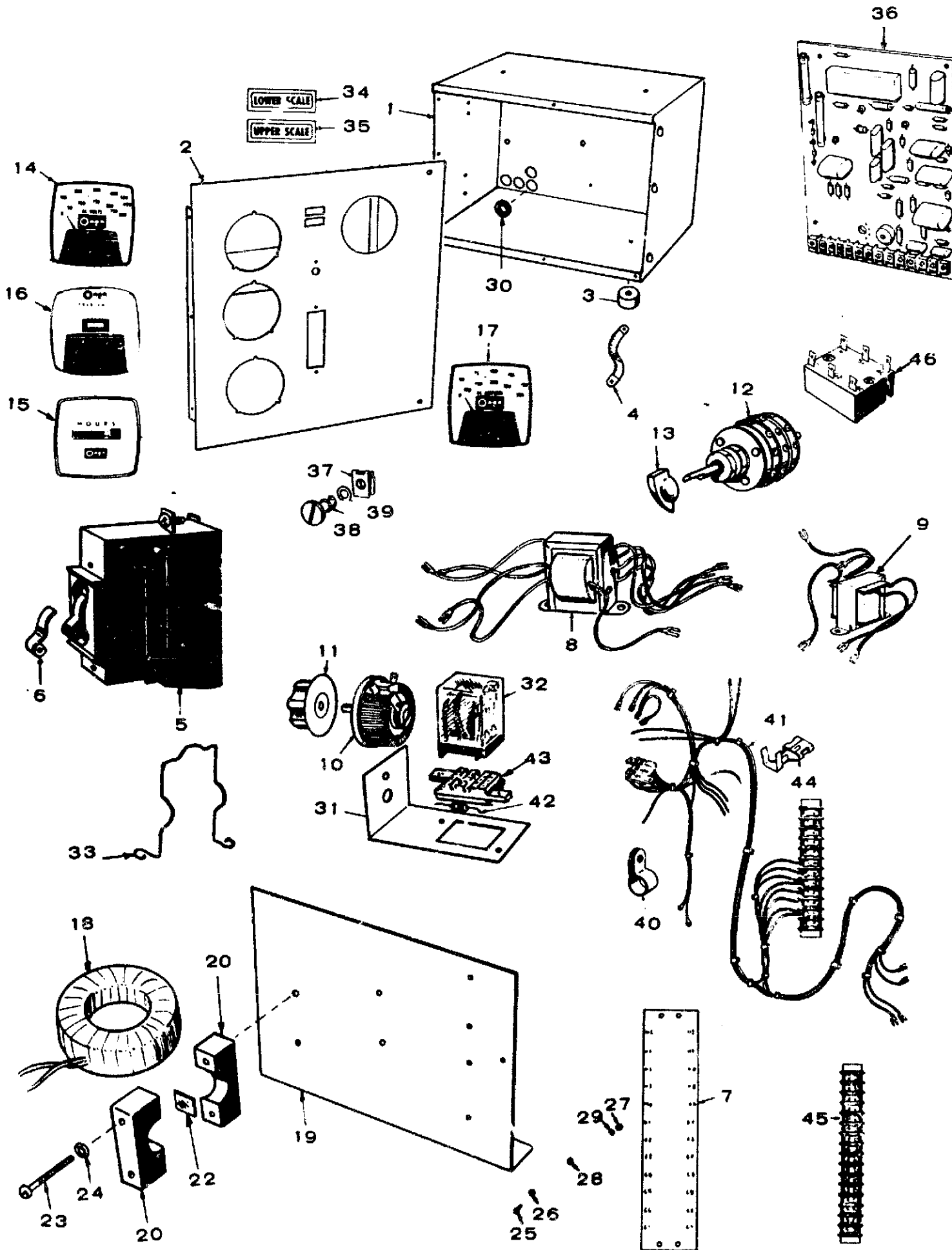
977-0309 (APRIL 1979)

GENERATOR

REF. NO.	PART NO.	QTY. USED	PART DESCRIPTION	REF. NO.	PART NO.	QTY. USED	PART DESCRIPTION
1	ROTOR ASSEMBLY, WOUND			30	805-0018	8	Bolt, Place (3/8-16 x 1")
	201-2669	1	Begin Spec H	31	503-0611	4	Hose, Insulator
	201-1719	1	Specs E through G	32	231-0149	1	Adapter, Generator
2	205-0089	1	Blower	33	232-2210	2	Cover, Adapter Slot
3	510-0101	1	Bearing	34	232-2211	2	Catch, Adapter Slot Cover
4	STATOR ASSEMBLY, WOUND			35	516-0152	2	Pin, Generator Adapter Alignment
	220-1997	1	50 Hertz	36	508-0001	1	Grommet, Rubber
	220-1454	1	60 Hertz	37	800-0008	2	Screw, Cap - Hex Head (1/4-20 x 1-1/4")
5	515-0145	1	Key, Exciter Rotor	38	862-0001	2	Nut, Hex (1/4-20)
6	150-1456	1	Bracket and Contact Assembly - Begin Spec H (Includes Parts Marked *)	39	850-0040	2	Washer, Lock - Spring (1/4")
7	805-0033	8	Bolt, Place (5/8-11 x 1")	40	800-0003	2	Screw, Cap - Hex Head (1/4-20 x 1/2")
8	150-0717	1	Switch Assembly, Overspeed	41	850-0040	2	Washer, Lock - Spring (1/4")
9	211-0185	1	Bell, End	42	150-0723	1	*Point, Overspeed Switch
10	234-0368	1	Screen, Generator	43	870-0250	1	*Nut, Insulation
11	232-2106	2	Bracket, Generator Mounting - Specs E through H	44	862-0001	2	*Nut, Hex (1/4-20)
12	201-1739	1	Rotor Assembly, Wound (Exciter) See Separate Group for Components	45	853-0013	1	*Washer, Lock (External) - 1/4"
13	232-2078	1	Disc, Generator Drive	46	150-1356	1	*Bracket, Overspeed Switch
14	234-0370	1	Grille, Generator Air Inlet	47	862-0011	4	Nut, Hex - Generator through Stud (3/8-16)
15	234-0361	1	Wrapper, Generator End Bell	48	850-0050	4	Washer, Lock - Spring (3/8")
16	509-0125	1	Seal, "O" Ring - Bearing	49	850-0079	1	Washer, Lock - Spring (3/4")
17	526-0238	1	Washer, Flat - Bearing Retainer (13/16" ID x 2" OD x 3/16" Thk)	50	856-0010	1	Washer, Lock - External/Internal (3/8")
18	800-0513	1	Screw, Cap - Hex Head (3/4-10 x 1-1/2")	51	812-0189	1	Screw, Machine - Round-head (3/8-16 x 3/4")
19	STATOR ASSEMBLY, WOUND (Exciter)			52	850-0055	9	Washer, Lock - Spring (7/16")
	220-2353	1	Begin Spec H	53	800-0072	9	Screw, Cap - Hex Head (7/16-14 x 1-1/4")
	220-1528	1	Specs E through G	54	812-0146	4	Screw, Machine - Round-head (1/4-20 x 3/8")
20	232-2102	1	Spacer, Bearing	55	850-0040	4	Washer, Lock - Spring (1/4")
21	520-0721	4	Stud, Generator Through	56	800-0520	2	Screw, Cap - Hex Head (3/4-10 x 1")
22	305-0481	1	Spacer, Voltage Regulator - Specs E through G	57	800-0071	4	Screw, Cap - Hex Head (7/16-14 x 1")
23	305-0491	1	Chassis Assembly, Voltage Regulator - Specs E through G (See Separate Group for Components)	58	850-0055	4	Washer, Lock - Spring (7/16")
24	800-0091	4	Screw, Cap - Hex Head (1/2-13 x 1-1/4")	59	800-0051	8	Screw, Cap - Hex Head (3/8-16 x 1-1/4")
25	850-0060	4	Washer, Lock - Spring (1/2")	60	850-0050	8	Washer, Lock - Spring (3/8")
26	402-0371	2	Mount, Vibration - Generator End	61	850-0040	2	Washer, Lock - Spring (1/4")
27	850-0040	4	Washer, Lock - Spring (1/4")	62	862-0001	2	Nut, Hex (1/4-20)
28	800-0009	4	Screw, Cap - Hex Head (1/4-20 x 1/2")	63	800-0009	2	Screw, Cap - Hex Head (1/4-20 x 1-1/2")
29	338-0521	1	Harness Assembly, Voltage Regulator - Spec E through G	64	800-0003	2	Screw, Cap - Hex Head (1/4-20 x 1/2")

* - Parts Included in 150-1456 Bracket and Contact Assembly.

CONTROL (AC OUTPUT)



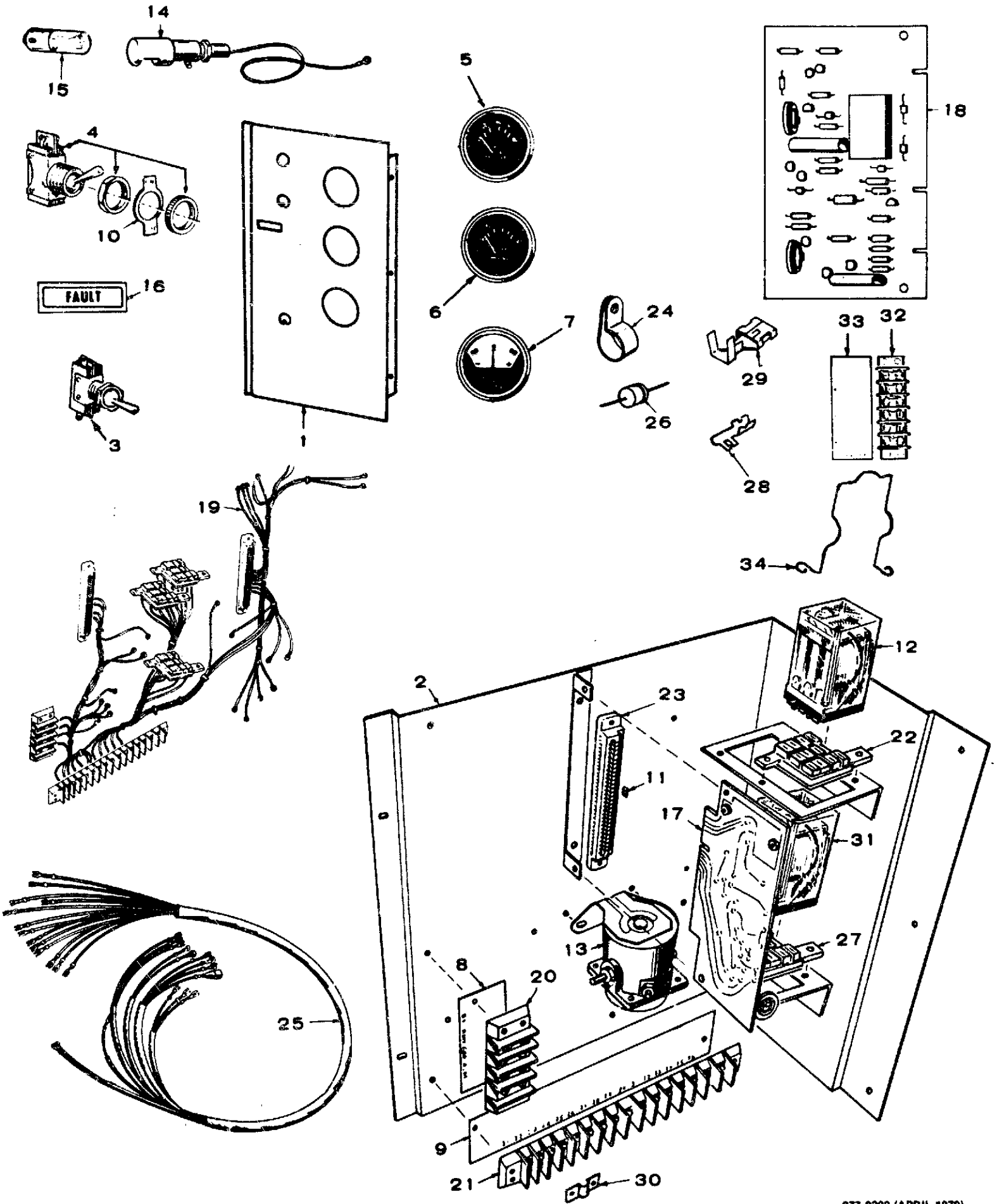
977-0309 (APRIL 1979)

CONTROL (AC OUTPUT)

REF. NO.	PART NO.	QTY. USED	PART DESCRIPTION	REF. NO.	PART NO.	QTY. USED	PART DESCRIPTION
1	301-3158	1	Box, Control	22	302-0253	As Req	Shim, Transformer Mounting
2	Panel, Control			23	813-0110	6	Screw, Machine - Roundhead (#10-32 x 2" lg)
	301-2274	1	Sets Without Meter Panel				
	301-3170	1	Sets With Meter Panel	24	854-0010	6	Washer, Lock - Internal (#10)
3	402-0078	4	Mount, Rubber	25	815-0203	1	Screw, Machine - Roundhead (#10-32 x 7/8") - Brass
4	337-0049	1	Strap, Ground				
5	320-0431	1	Breaker, Circuit	26	854-0010	2	Washer, Lock - Internal (#10)
6	320-0307	1	Lock, Circuit Breaker Handle (Penn State)	27	871-0010	3	Nut, Hex (#10-32) - Brass
				28	526-0049	2	Washer, Flat (.200" ID x 7/16" OD x 1/32" Thk)
7	STRIP, MARKER			29	856-0003	1	Washer, Lock - External/Internal
	332-1248	1	Sets Without Meter Panel				
	332-1242	1	Sets With Meter Panel				
8	TRANSFORMER, VOLTAGE			30	508-0001	4	Grommet, Rubber
	315-0431	1	Begin Spec J	31	301-3244	1	Bracket, Relay Mounting
	315-0342	1	Specs E through H	32	307-1061	1	Relay, Voltage Selector
9	REACTOR, COMMUTATOR - BEGINSPEC J			33	307-1157	1	Spring, Relay Solddown
	315-0384	1	With Leads and Terminals	34	322-0130	1	Light - Lower Scale
	315-0343	1	Without Leads and Terminals	35	322-0131	1	Light - Upper Scale
10	303-0170	1	Rheostat	36	BOARD ASSEMBLY, PRINTED CIRCUIT		
11	303-0032	1	Knob, Rheostat		(See Separate Group for Components)		
12	SWITCH, SELECTOR				332-1956	1	Begin Spec J
	308-0012	1	Sets Without Meter Panel		332-1268	1	Specs E through H
	308-0284	1	Sets With Meter Panel	37	406-0332	2	Fastener
13	303-0076	1	Knob, Selector Switch	38	406-0333	2	Stud, Fastener
14	302-0718	1	Voltmeter	39	406-0334	2	Washer, Stud Fastener
15	METER, RUNNING TIME			40	332-0050	2	Clip, Tinnerman
	302-0469	1	50 Hertz Sets	41	HARNESS, WIRING (Includes Parts Marked *)		
	302-0466	1	60 Hertz Sets				Sets Without Meter Panel
16	METER, FREQUENCY (Sets With Meter Panel)				338-0764	1	Begin Spec J
	302-0256	1	50 Hertz Sets		338-0524	1	Specs E through H
	302-0221	1	60 Hertz Sets				Sets With Meter Panel
17	AMMETER - SETS WITH METER PANEL				338-0730	1	Begin Spec J
	302-0719	1	40.0 MDEG Sets		338-0525	1	Specs E through H
	302-0721	1	50.0 MDEG Sets	42	350-0556	1	*Resistor (47,000-Ohm, 1/2 Watt)
18	TRANSFORMER, CURRENT - SETS WITH METER PANEL			43	323-0764	1	*Socket, Relay
	302-0079	3	40.0 MDEG Sets	44	332-1280	As Req	*Terminal, Crimp
	302-0107	3	50.0 MDEG Sets	45	*BLOCK, TERMINAL		
19	302-0729	1	Bracket, Transformer Mounting		332-0607	1	Sets Without Meter Panel
20	CLAMP, TRANSFORMER MOUNTING - SETS WITH METER PANEL				332-0785	1	Sets With Meter Panel
	302-0235	3	Upper	46	305-0524	1	Rectifier, Bridge - Begin Spec J
	302-0236	3	Lower				

* - Parts Included in Wiring Harness.

CONTROL (ENGINE INSTRUMENTS)



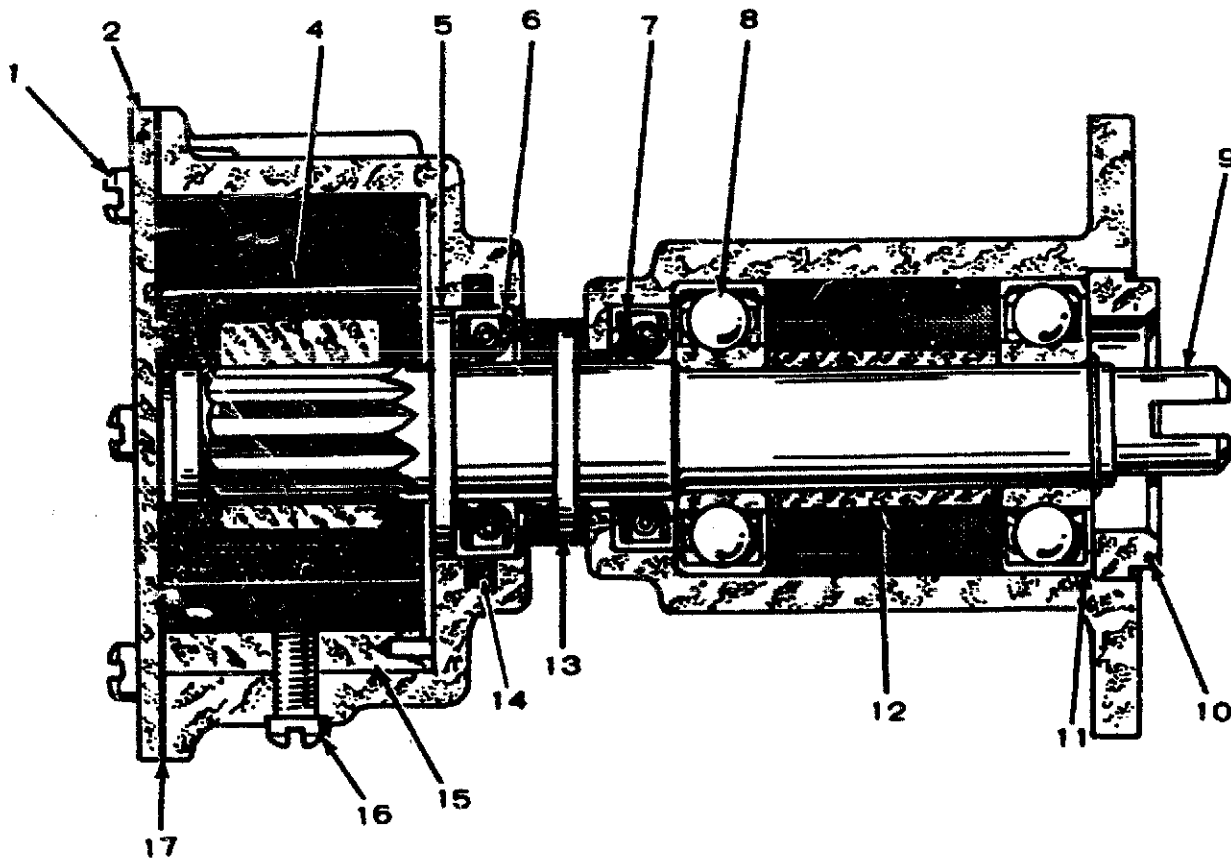
977-0309 (APRIL 1979)

CONTROL (ENGINE INSTRUMENTS)

REF. NO.	PART NO.	QTY. USED	PART DESCRIPTION	REF. NO.	PART NO.	QTY. USED	PART DESCRIPTION
1	PANEL ONLY, ENGINE CONTROL			18	MONITOR, ENGINE CONTROL (See Separate Group for Components)		
	301-3165	1	Sets With One Fault Light		300-0679	1	Sets With One Fault Light
	301-3267	1	Sets With Five Fault Lights (Optional)		300-0681	1	Sets With Five Fault Lights - Optional
2	301-3253	1	Bracket, Engine Control		300-0730	1	Penn State Sets with One Fault Light
3	SWITCH, SELECTOR			19	HARNES ASSEMBLY, WIRING - CONTROL (Includes Parts Marked *)		
	308-0138	1	Standard				Begin Spec J
	308-0327	1	Penn State		338-1065	1	Sets With One Fault Light
4	308-0002	1	Switch, Panel Light		338-1036	1	Sets With Five Fault Lights - Optional
5	GAUGE, OIL PRESSURE						Specs E through H
	193-0243	1	Begin Spec J		338-0528	1	Sets With One Fault Light
	193-0107	1	Specs E through H		338-0534	1	Sets With Five Fault Lights - Optional
6	GAUGE, ENGINE COOLANT TEMPERATURE			20	332-0537	1	*Block, Terminal - 4 Place
	193-0245	1	Begin Spec J	21	*BLOCK, TERMINAL		
	193-0106	1	Specs E through H				Begin Spec J
7	302-0061	1	Ammeter, Charge (30-0-30)		332-0795	1	Sets With One Fault Light (16 Place)
8	332-1239	1	Strip, Marker (B+, Remote and Ground Alarm)		332-1005	1	Sets With Five Fault Lights (20 Place)
9	STRIP, MARKER				332-0795	1	Specs E through H (16 Place)
			Begin Spec J	22	323-0765	2	*Socket, Relay - 11 Place (Includes Terminals)
	332-1241	1	Sets Without Fault Light (21 through 36)	23	332-1271	2	*Housing, Printed Circuit Board Terminal
	332-1559	1	Sets With Five Fault Lights (21 through 40)	24	332-0051	1	Clip, Tinnerman
	332-1241	1	Specs E through H (21 through 36)	25	338-0537	1	Harness Assembly, Wiring - Engine to Control
10	308-0003	1	Plate, Switch (On/Off)	26	357-0004	1	Rectifier, Diode (Part of Standard Cranker Control)
11	332-1276	2	Plug, Keying (Optional Sets with Five Fault Lights use Qty. of 1)	27	323-0764	1	*Socket, Relay - 8 Place (Includes Terminals)
12	307-1058	2	Relay (1 Start Disconnect, 1 Ignition)	28	332-1269	As Req	*Terminal, PC Board
13	307-1031	1	Relay, Start Solenoid	29	332-1280	As Req	*Terminal, Crimp
14	322-0149	1	Holder, Lamp	30	332-1043	1	*Jumper, Terminal - Sets With One Fault Light
15	322-0004	1	Lamp, Panel	31	307-1061	1	Relay, Starter Protection
16	LAMP, FAULT			32	332-0699	1	*Block, Terminal (6 Place) - Sets With Five Fault Lights - Optional
	322-0128	1	Standard Sets	33	332-1240	1	*Strip, Marker (53 through 58) - Sets With Five Fault Lights - Optional
	332-0107	1	Overcrank (Optional)	34	307-1157	3	Spring, Relay Hold-down
	322-0111	1	Overspeed (Optional)				
	322-0108	1	Low Oil Pressure (Optional)				
	322-0109	1	High Engine Coolant Temperature (Optional)				
	322-0110	1	Low Engine Coolant Temperature (Optional)				
17	CONTROL, CRANKER						
	300-0733	1	Standard Cranker				
	300-0714	1	Cycle Cranker (Optional)				

* - Included in Wiring Harness Assembly.

977-0309 (APRIL 1979)

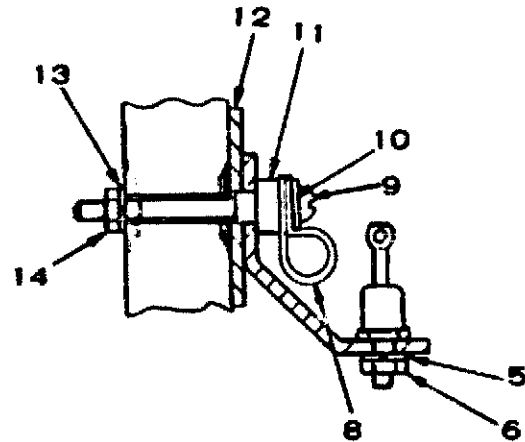
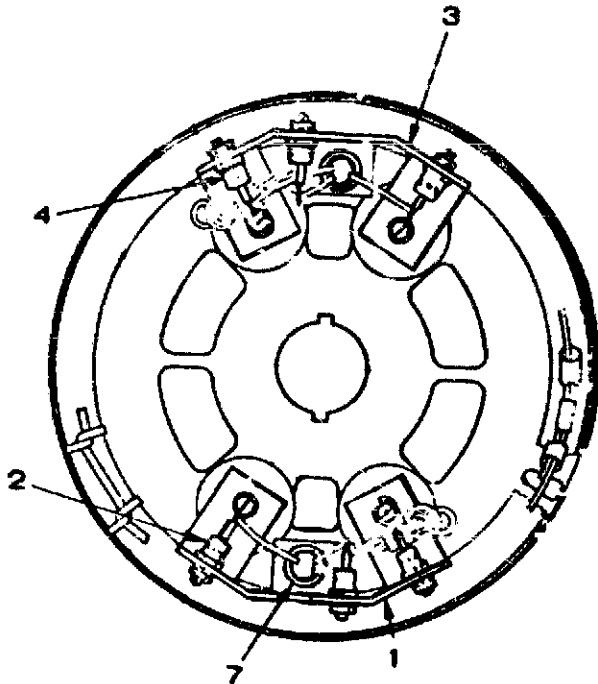


REF. NO.	PART NO.	QTY. USED	PART DESCRIPTION
	132-0146	1	Pump, Water (Complete - Less Mounting Adapter)
1	132-0165	6	Screw - Fillister Head
2	132-0164	1	Cover - End
4	132-0162	1	*Impeller Kit (Spline Seal Included)
5	132-0161	1	Spacer - Seal
6	132-0160	1	*Seal
7	132-0159	1	Seal
8	132-0158	2	Bearing - Ball
9		1	Shaft (Not Sold Separately)
10	132-0156	1	Ring - Adapter
11	132-0155	1	Ring, Retaining - External
12	132-0154	1	Spacer - Bearing
13	132-0153	1	Slinger
14	132-0152	1	**O" Ring
15	132-0151	1	Cam & Wearplate Assembly
16	132-0150	1	Screw, Fillister Head
17	132-0149	1	*Gasket
	132-0148	1	Repair Package (Includes Parts Marked *)

* - Parts Included in 132-0148 Repair Package.

977-0309 (APRIL 1979)

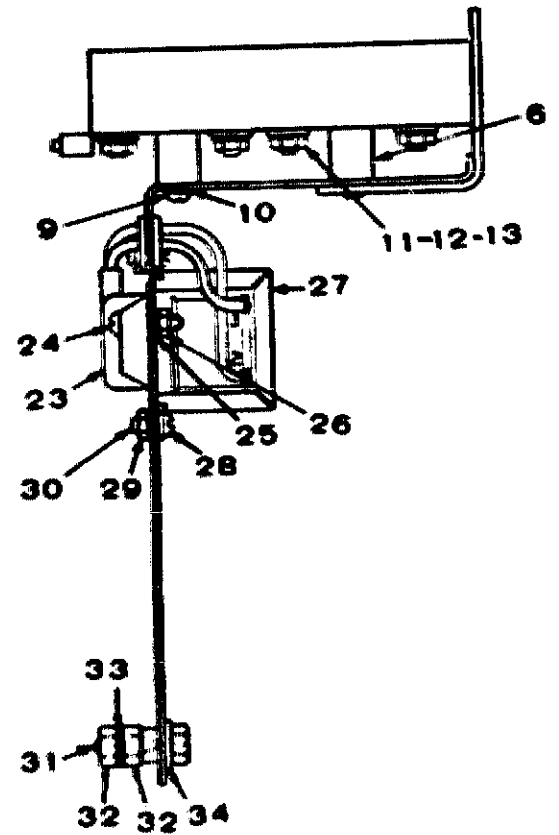
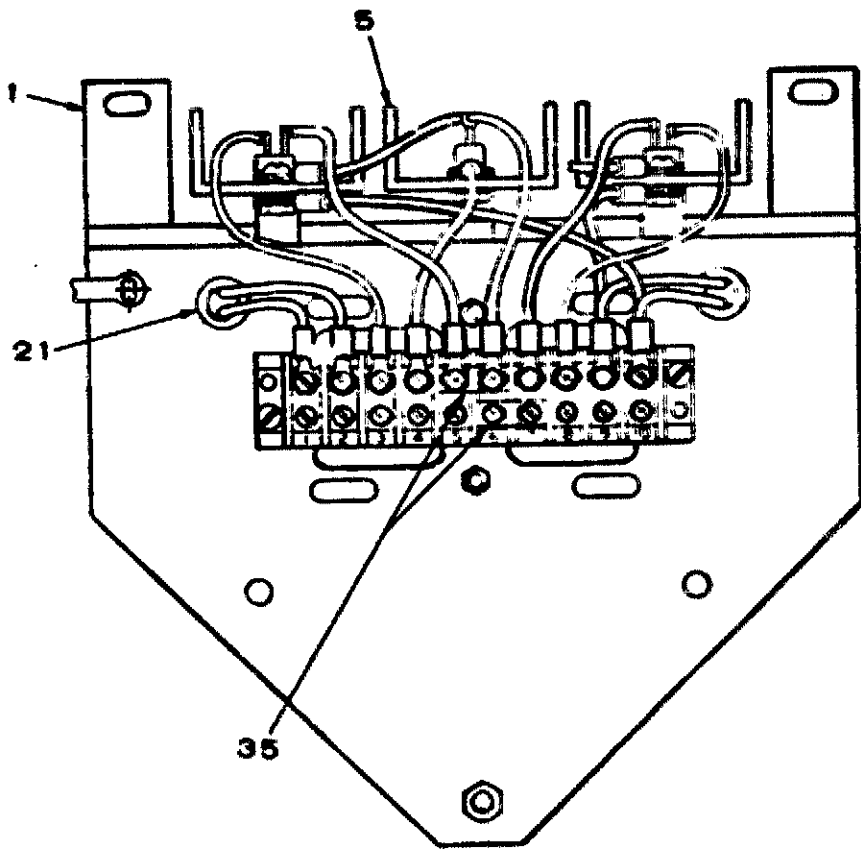
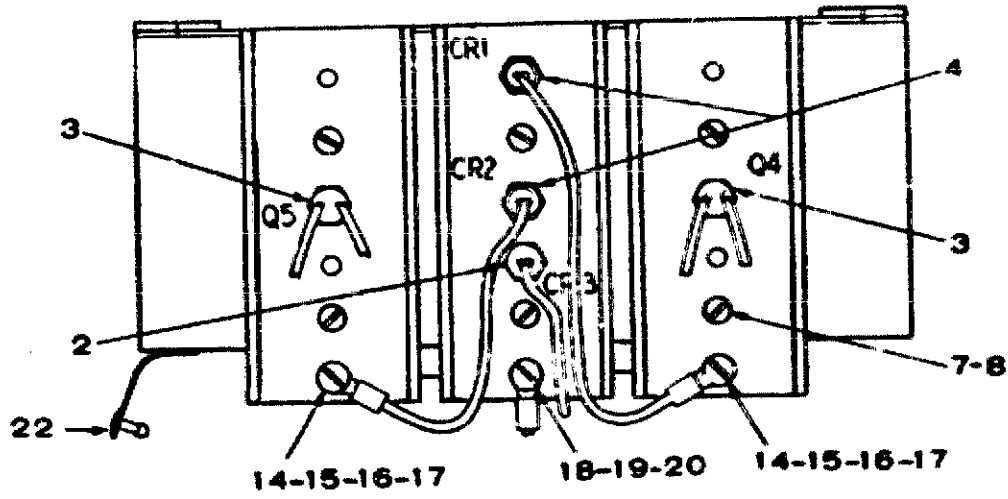
EXCITER ROTOR (BRUSHLESS GENERATOR)



REF. NO.	PART NO.	QTY. USED	PART DESCRIPTION
	201-1739	1	Rotor Assembly, Wound - Exciter (Complete)
1	363-0055	1	Heat Sink, Rectifier - Negative
2	358-0015	3	Rectifier, Diode - Negative (CR4, CR5 & CR6)
3	363-0054	1	Heat Sink, Rectifier - Positive
4	358-0016	3	Rectifier, Diode - Positive (CR1, CR2 & CR3)
5	850-0030	6	Washer, Lock Spring (#10) Diode Mounting
6	870-0053	6	Nut, Hex - Diode Mounting (10-32)
7	508-0093	2	Grommet, Rubber
8	332-0050	2	Clip, Wire
9	813-0110	4	Screw, Roundhead - Heat Sink Mounting (10-32 x 2")
10	526-0009	4	Washer, Flat - Heat Sink Mounting (#10)
11	508-0124	4	Bushing, Insulating - Heat Sink Mounting
12	508-0156	4	Washer, Insulating - Heat Sink Mounting
13	850-0030	4	Washer, Lock Spring - Heat Sink Mounting (#10)
14	870-0053	4	Nut, Hex - Heat Sink Mtg (10-32)

977-0309 (APRIL 1978)

VOLTAGE REGULATOR - SPECS E THROUGH H



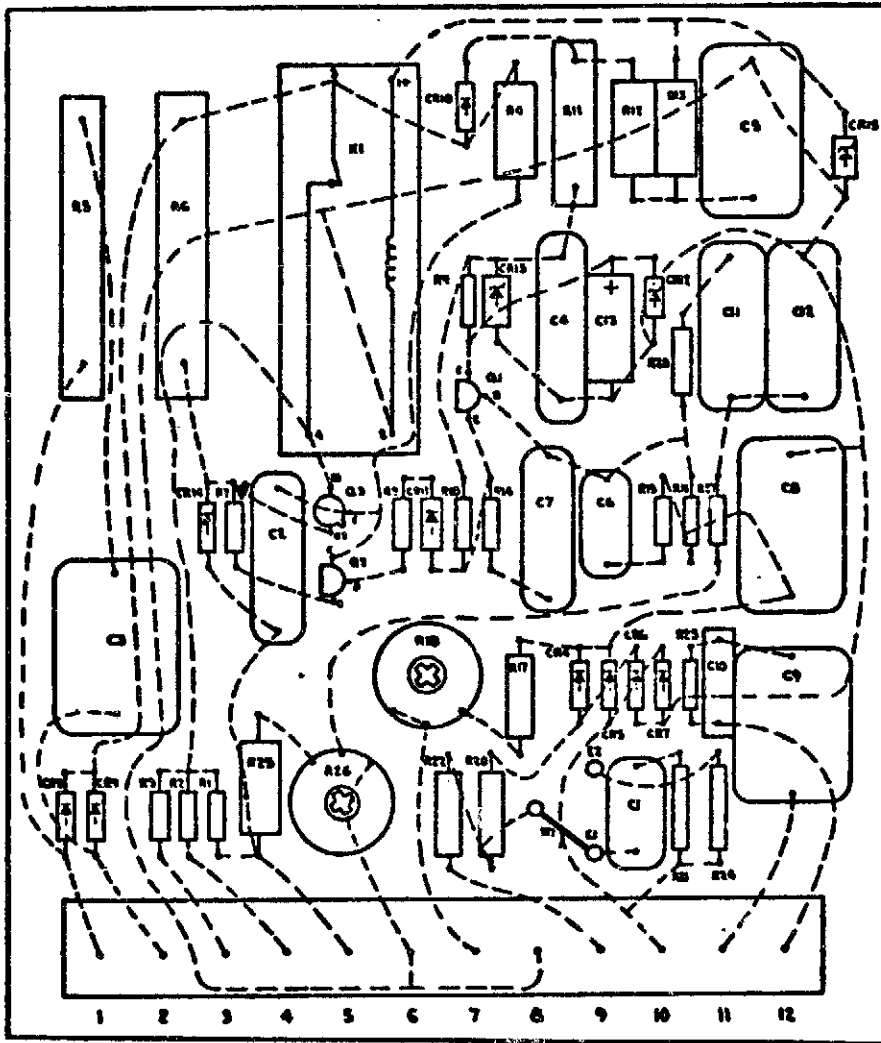
977-0300 (APRIL 1970)

VOLTAGE REGULATOR - SPECS E THROUGH H

REF. NO.	PART NO.	QTY. USED	PART DESCRIPTION	REF. NO.	PART NO.	QTY. USED	PART DESCRIPTION
	305-0491	1	Chassis Assy, Voltage Regulator - Complete	17	871-0007	2	Nut, Hex (#8-32)
1	305-0482	1	Chassis, Voltage Regulator	18	812-0079	1	Screw, Machine - Round-head (#8-32 x 1/2")
2	358-0029	1	Rectifier	19	853-0005	1	Washer, Lock - External (#8)
3	364-0014	2	Rectifier	20	871-0007	1	Nut, Hex (#8-32)
4	358-0035	2	Rectifier	21	508-0002	2	Grommet, Rubber
5	363-0048	3	Heat Sink, Rectifier	22	332-1415	1	Clamp, Cable
6	332-1265	6	Insulator, Stand-off	23	332-1266	1	Block, Terminal
7	812-0077	6	Screw, Machine - Round-head (#8-32 x 3/8")	24	812-0081	2	Screw, Machine - Round-head (#8-32 x 5/8")
8	853-0005	6	Washer, Lock - External (#8)	25	853-0005	2	Washer, Lock - External (#8)
9	812-0077	6	Screw, Machine - Round-head (#8-32 x 3/8")	26	860-0008	2	Nut, Hex (#8-32)
10	853-0005	6	Washer, Lock - External (#8)	27	315-0343	1	Reactor Assy, Commutator
11	871-0010	3	Nut, Hex (#10-32)	28	812-0077	2	Screw, Machine - Round-head (#8-32 x 3/8")
12	526-0009	3	Washer, Flat (7/32" ID x 1/2" OD x 1/16" Thk)	29	853-0005	2	Washer, Lock - External (#8)
13	850-0030	3	Washer, Lock - Spring (#10)	30	860-0008	2	Nut, Hex (#8-32)
14	812-0079	2	Screw, Machine - Round-head (#8-32 x 1/2")	31	150-0723	1	Point Contact
15	526-0048	2	Washer, Flat (Brass) (.172" ID x 3/8" OD x 1/32" Thk)	32	862-0001	2	Nut, Hex (1/4"-L0)
16	853-0005	2	Washer, Lock - External (#8)	33	853-0015	1	Washer, Lock - External (1/4")
				34	870-0250	2	Nut, Insulator
				35	332-1043	2	Jumper, Terminal Block

977-0309 (APRIL 1979)

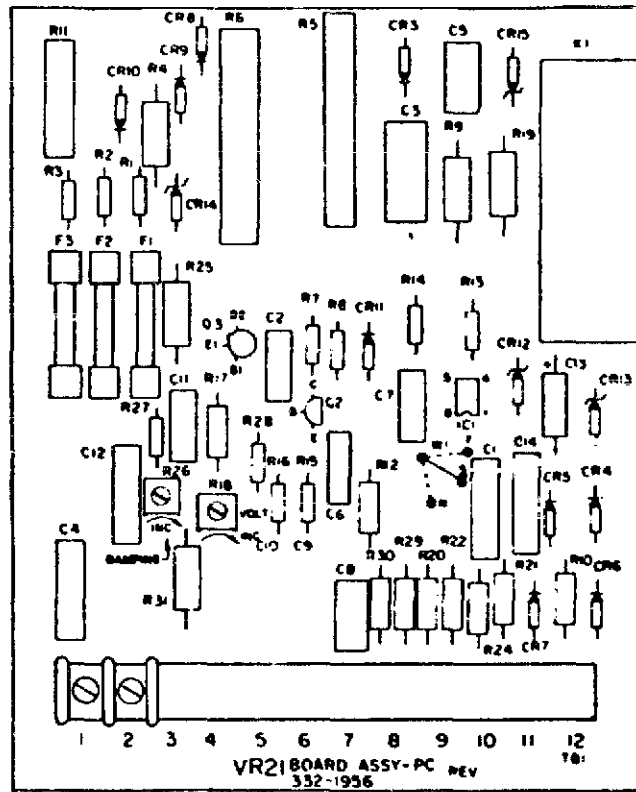
**PRINTED CIRCUIT BOARD ASSEMBLY - BRUSHLESS TYPE GENERATOR
(SPECS E THROUGH H)**



REF. NO.	PART NO.	QTY. USED	PART DESCRIPTION	REF. NO.	PART NO.	QTY. USED	PART DESCRIPTION
	332-1268	1	Printed Circuit Board - Complete				
TB1	332-1252	1	Terminal Block	R18, R16	350-0447	2	Resistor (330,000-Ohm, 1/2 Watt)
C1	355-0010	1	Capacitor (.47., 100 Volt)	R9, R10	350-0423	2	Resistor (33,000-Ohm, 1/2 Watt)
C2, C7	355-0005	2	Capacitor (.22 Mfd., 200 Volt)	R11	352-0151	1	Resistor, Fixed (15,000-Ohm, 5 Watt)
C3, C9	355-0017	2	Capacitor (.47 Mfd., 400 Volt)	R12	350-1014	1	Resistor (13,000-Ohm, 2 Watt)
C4, C12	355-0006	2	Capacitor (.47 Mfd., 200 Volt)	R13	350-1007	1	Resistor (6,800-Ohm, 2 Watt)
C5, C8	355-0016	2	Capacitor (1 Mfd., 100 Volt)	R14	350-0443	1	Resistor (220,000-Ohm, 2 Watt)
C6	355-0015	1	Capacitor (.1 Mfd., 200 Volt)	R15, R27	350-0435	2	Resistor (100,000-Ohm, 1/2 Watt)
C10	355-0014	1	Capacitor (.047 Mfd., 200 Volt)	R17	351-0524	1	Resistor, Metal Film (13,000-Ohm, 1/4 Watt)
C11	355-0020	1	Capacitor (.1 Mfd., 400 Volt)	R18	303-0168	1	Potentiometer
C13	356-0039	1	Capacitor (100 Mfd., 10 Volt)	R20, R22	351-0520	2	Resistor, Metal Film (28,000-Ohm, 1/4 Watt)
CR4,5,6,7, 8,9,10,11	357-0014	8	Rectifier, Silicon	R21	351-0522	1	Resistor, Metal Film (5,110-Ohm, 1/4 Watt)
CR12	359-0035	1	Diode, Zener (6.8 Volt)	R24	351-0523	1	Resistor, Metal Film (8,870-Ohm, 1/4 Watt)
CR13	359-0025	1	Diode, Zener (20 Volt)	R25	350-1011	1	Resistor (10,000-Ohm, 2 Watt)
CR14	359-0026	1	Diode, Zener (18 Volt)	R26	303-0164	1	Potentiometer
CR15	359-0015	1	Diode, Zener (24 Volt)				
K1	307-1063	1	Relay, Magnetic Reed				
Q1, Q2	362-0017	2	Transistor, Silicon				
Q3	361-0004	1	Transistor, Unijunction				
R1, R23	350-0355	2	Resistor (47-Ohm, 1/2 Watt)				
R2, R3	350-0351	2	Resistor (33-Ohm, 1/2 Watt)				
R4	350-1075	1	Resistor (4.7 Megohm, 2 Watt)				
R5	353-0040	1	Resistor, Fixed (270-Ohm, 10 Watt)				
R6	353-0039	1	Resistor, Fixed (5,000-Ohm, 15 Watt)				
R7	350-0398	1	Resistor (3,000-Ohm, 1/2 Watt)				

977-0309 (APRIL 1979)

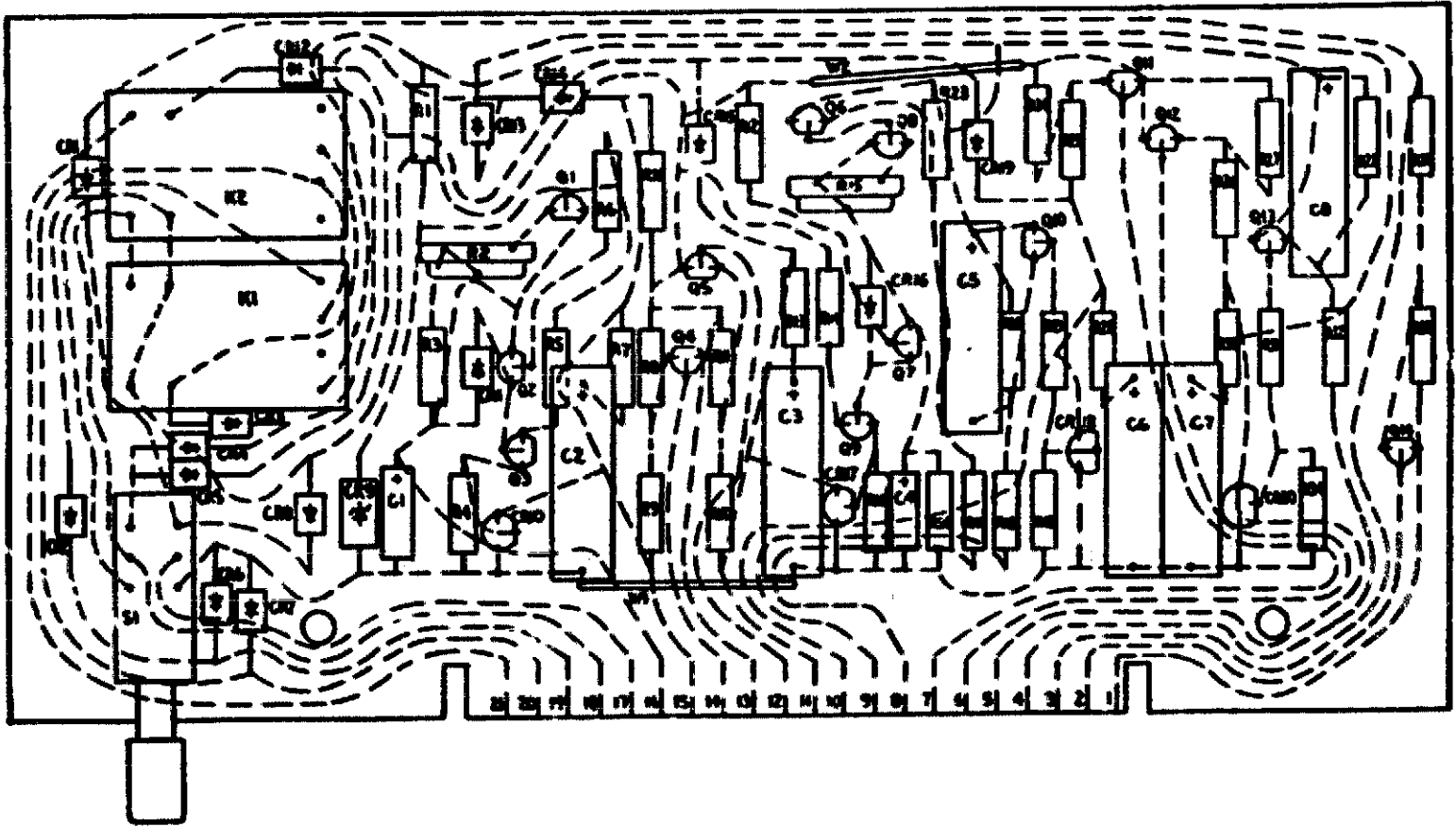
PRINTED CIRCUIT BOARD ASSEMBLY - BEGIN SPEC J



REF. NO.	PART NO.	QTY. USED	PART DESCRIPTION	REF. NO.	PART NO.	QTY. USED	PART DESCRIPTION
	332-1956	1	Board Assembly, Printed - Complete	R11	352-0151	1	Resistor - Fixed 5 Watt, 10,000-Ohm
C1, C14	355-0042	2	Capacitor - 47 Mfd, 250 Volt	R12	351-0909	1	Resistor - 1/2 Watt, 90,900-Ohm
C2, C7	355-0043	2	Capacitor - 22 Mfd, 250 Volt	R13	350-0411	1	Resistor - 1/2 Watt, 10,000-Ohm
C3	355-0047	1	Capacitor - 47 Mfd, 400 Volt	R14	350-0443	1	Resistor - 1/2 Watt, 220,000-Ohm
C4, C12	355-0044	2	Capacitor - 47 Mfd, 250 Volt	R15, R27	350-0435	2	Resistor - 1/2 Watt, 100,000-Ohm
C5, C8	355-0046	2	Capacitor - 1 Mfd, 100 Volt	R17	351-0521	1	Resistor, Metal Film - 1/4 Watt, 12,100-Ohm
C6	355-0056	1	Capacitor - .33 Mfd, 250 Volt	R18	303-0210	1	Potentiometer - 5,000-Ohm, 1/2 Watt
C11	355-0048	1	Capacitor - 1 Mfd, 400 Volt	R20, 22, 29 & 30	351-0520	4	Resistor - 1/4 Watt, 28,000-Ohm
C13	356-0039	1	Capacitor - Electrolytic 100 Mfd, 10 Volt	R21	351-0522	1	Resistor - Metal Film - 1/4 Watt, 5,110-Ohm
CR3 Thru 11	357-0014	9	Rectifier - Silicon	R24	351-0523	1	Resistor - Metal Film - 1/4 Watt, 8,870-Ohm
CR12	359-0036	1	Diode - Zener 5.6 Volt	R25, R31	350-1011	2	Resistor - 2 Watt, 10,000-Ohm
CR13	359-0025	1	Diode - Zener 20 Volt	R26	303-0211	1	Potentiometer - 1/2 Watt, 100,000-Ohm
CR14	359-0026	1	Diode - Zener 18 Volt	R28	350-0568	1	Resistor - 1/2 Watt 47 Meg-Ohm
F1, F2, F3	321-0204	3	Fuse 1/4 Amp	TB1	332-1252	1	Terminal Block
IC1	367-0005	1	Integrated Circuit	CR15	359-0015	1	Diode - Zener - 24 Volt
Q2	362-0017	1	Transistor - Silicon NPN		321-0163	6	Clip - Fuse
Q3	361-0004	1	Transistor - Unijunction	K1	307-1063	1	Relay, Magnetic Reed
R1	350-0355	1	Resistor - 1/2 Watt, 47-Ohm	R9	350-1014	1	Resistor - 2 Watt, 13,000-Ohm
R2, R3	350-0351	2	Resistor - 1/2-Watt, 33-Ohm	R19	350-1007	1	Resistor - 2 Watt, 6,800-Ohm
R4	350-1075	1	Resistor - 2 Watt, 4.7 Meg-Ohm				
R5	353-0040	1	Resistor - Fixed 10 Watt, 270-Ohm				
R6	353-0039	1	Resistor - Fixed 15 Watt, 5,000-Ohm				
R7	350-0398	1	Resistor - 1/2 Watt, 3,000-Ohm				
R8, R16	350-0447	2	Resistor - 1/2 Watt, 330,000-Ohm				
R10	351-0885	1	Resistor - 1/2 Watt, 51,100-Ohm				

877-0208 (APRIL 1978)

ENGINE CONTROL MONITOR - FIVE FAULT LIGHTS - OPTIONAL



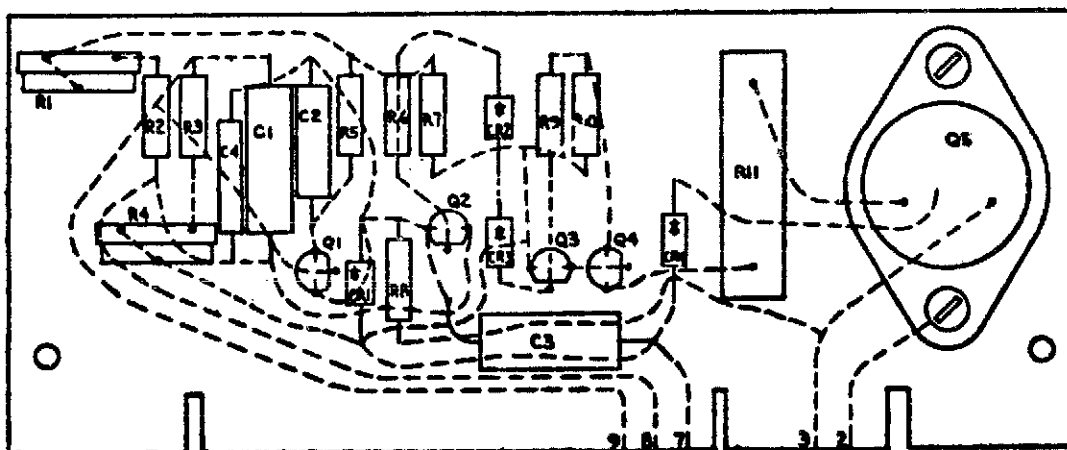
877-8309 (APRIL 1978)

ENGINE CONTROL MONITOR - FIVE FAULT LIGHTS - OPTIONAL

REF. NO.	PART NO.	QTY. USED	PART DESCRIPTION	REF. NO.	PART NO.	QTY. USED	PART DESCRIPTION
	300-0681		Monitor, Engine Control - 12 Volt - Optional	R2	303-0169	1	Potentiometer (3.5 Megohm, 1/4 Watt, 30%)
C1	356-0040	1	Capacitor, Electrolytic (10 Mfd, 20 Volt)	R3	350-0572	1	Resistor, Composition (1 Megohm, 1/2 Watt, 10%)
C2	355-0005	1	Capacitor, Plastic Dielectric (.22 Mfd, 200 VDC, 10%)	R4	350-0517	1	Resistor, Composition (27-Ohm, 1/2 Watt, 10%)
C3	355-0005	1	Capacitor, Plastic Dielectric (.22 Mfd, 200 VDC, 10%)	R5	350-0536	1	Resistor, Composition (1000-Ohm, 1/2 Watt, 10%)
C4	356-0030	1	Capacitor, Electrolytic (1 Mfd, 35 Volt)	R6	350-0548	1	Resistor, Composition (10,000-Ohm, 1/2 Watt, 10%)
C5	355-0005	1	Capacitor, Plastic Dielectric (.22 Mfd, 200 VDC, 10%)	R7	350-0505	1	Resistor, Composition (2.7-Ohm, 1/2 Watt, 10%)
C6	355-0005	1	Capacitor, Plastic Dielectric (.22 Mfd, 200 VDC, 10%)	R8	350-0529	1	Resistor, Composition (270-Ohm, 1/2 Watt, 10%)
C7	355-0005	1	Capacitor, Plastic Dielectric (.22 Mfd, 200 VDC, 10%)	R9	350-0540	1	Resistor, Composition (2200-Ohm, 1/2 Watt, 10%)
C8	355-0005	1	Capacitor, Plastic Dielectric (.22 Mfd, 200 VDC, 10%)	R10	350-0380	1	Resistor, Composition (510-Ohm, 1/2 Watt, 5%)
CR1	357-0004	1	Diode, Rectifier (400 MA, 400 Volt)	R11	350-0529	1	Resistor, Composition (270-Ohm, 1/2 Watt, 10%)
CR2	357-0004	1	Diode, Rectifier (400 MA, 400 Volt)	R12	350-0552	1	Resistor, Composition (22,000-Ohm, 1/2 Watt, 10%)
CR3	357-0004	1	Diode, Rectifier (400 MA, 400 Volt)	R13	350-0505	1	Resistor, Composition (2.7-Ohm, 1/2 Watt, 10%)
CR4	357-0004	1	Diode, Rectifier (400 MA, 400 Volt)	R14	350-0536	1	Resistor, Composition (1000-Ohm, 1/2 Watt, 10%)
CR5	357-0004	1	Diode, Rectifier (400 MA, 400 Volt)	R15	303-0169	1	Potentiometer (3.5 Megohm, 1/4 Watt, 30%)
CR6	357-0004	1	Diode, Rectifier (400 MA, 400 Volt)	R16	350-0517	1	Resistor, Composition (27-Ohm, 1/2 Watt, 10%)
CR7	357-0004	1	Diode, Rectifier (400 MA, 400 Volt)	R17	350-0540	1	Resistor, Composition (2200-Ohm, 1/2 Watt, 10%)
CR8	357-0004	1	Diode, Rectifier (400 MA, 400 Volt)	R18	350-0540	1	Resistor, Composition (2200-Ohm, 1/2 Watt, 10%)
CR9	359-0027	1	Diode, Zener (1 Watt, 7.5 Volt, 5%)	R19	350-0517	1	Resistor, Composition (27-Ohm, 1/2 Watt, 10%)
CR10	364-0017	1	Diode, Rectifier (8 Amp, 30 Volt)	R20	350-0529	1	Resistor, Composition (270-Ohm, 1/2 Watt, 10%)
CR11	357-0004	1	Diode, Rectifier (400 MA, 400 Volt)	R21	350-0529	1	Resistor, Composition (270-Ohm, 1/2 Watt, 10%)
CR12	357-0004	1	Diode, Rectifier (400 MA, 400 Volt)	R22	350-0505	1	Resistor, Composition (2.7-Ohm, 1/2 Watt, 10%)
CR13	357-0004	1	Diode, Rectifier (400 MA, 400 Volt)	R23	350-0529	1	Resistor, Composition (270-Ohm, 1/2 Watt, 10%)
CR14	357-0004	1	Diode, Rectifier (400 MA, 400 Volt)	R24	350-0529	1	Resistor, Composition (270-Ohm, 1/2 Watt, 10%)
CR15	357-0004	1	Diode, Rectifier (400 MA, 400 Volt)	R25	350-0540	1	Resistor, Composition (2200-Ohm, 1/2 Watt, 10%)
CR16	357-0004	1	Diode, Rectifier (400 MA, 400 Volt)	R21	350-0380	1	Resistor, Composition (510-Ohm, 1/2 Watt, 5%)
CR17	364-0017	1	Diode, Rectifier (8 Amp, 30 Volt)	R27	350-0529	1	Resistor, Composition (270-Ohm, 1/2 Watt, 10%)
CR18	364-0017	1	Diode, Rectifier (8 Amp, 30 Volt)	R28	350-0529	1	Resistor, Composition (270-Ohm, 1/2 Watt, 10%)
CR19	357-0004	1	Diode, Rectifier (400 MA, 400 Volt)	R29	350-0540	1	Resistor, Composition (2200-Ohm, 1/2 Watt, 10%)
CR20	364-0017	1	Diode, Rectifier (8 Amp, 30 Volt)	R30	350-0505	1	Resistor, Composition (2.7-Ohm, 1/2 Watt, 10%)
CR21	357-0004	1	Diode, Rectifier (400 MA, 400 Volt)	R31	350-0529	1	Resistor, Composition (270-Ohm, 1/2 Watt, 10%)
K1	307-1039	1	Relay, Armature (12 Volt)	R32	350-0540	1	Resistor, Composition (2200-Ohm, 1/2 Watt, 10%)
K2	307-1039	1	Relay, Armature (12 Volt)	R33	350-0529	1	Resistor, Composition (270-Ohm, 1/2 Watt, 10%)
Q1	362-0025	1	Transistor	R34	350-0517	1	Resistor, Composition (27-Ohm, 1/2 Watt, 10%)
Q2	362-0025	1	Transistor	R35	350-1128	1	Resistor, Composition (220-Ohm, 2 Watt, 10%)
Q3	361-0003	1	Transistor	R36	350-0540	1	Resistor, Composition (2200 Ohm, 1/2 Watt, 10%)
Q4	362-0008	1	Transistor	S1	308-0280	1	Switch, Push - DPDT (1A, 28 VDC/45A, 115 VAC)
Q5	362-0008	1	Transistor	TB1	332-1231	1	Printed Wiring Board
Q6	362-0008	1	Transistor				
Q7	362-0031	1	Transistor				
Q8	362-0031	1	Transistor				
Q9	361-0003	1	Transistor				
Q10	362-0008	1	Transistor				
Q11	362-0008	1	Transistor				
Q12	362-0008	1	Transistor				
Q13	362-0008	1	Transistor				
Q14	362-0008	1	Transistor				
R1	350-0526	1	Resistor, Composition (100-Ohm, 1/2 Watt, 10%)				

977-0309 (APRIL 1979)

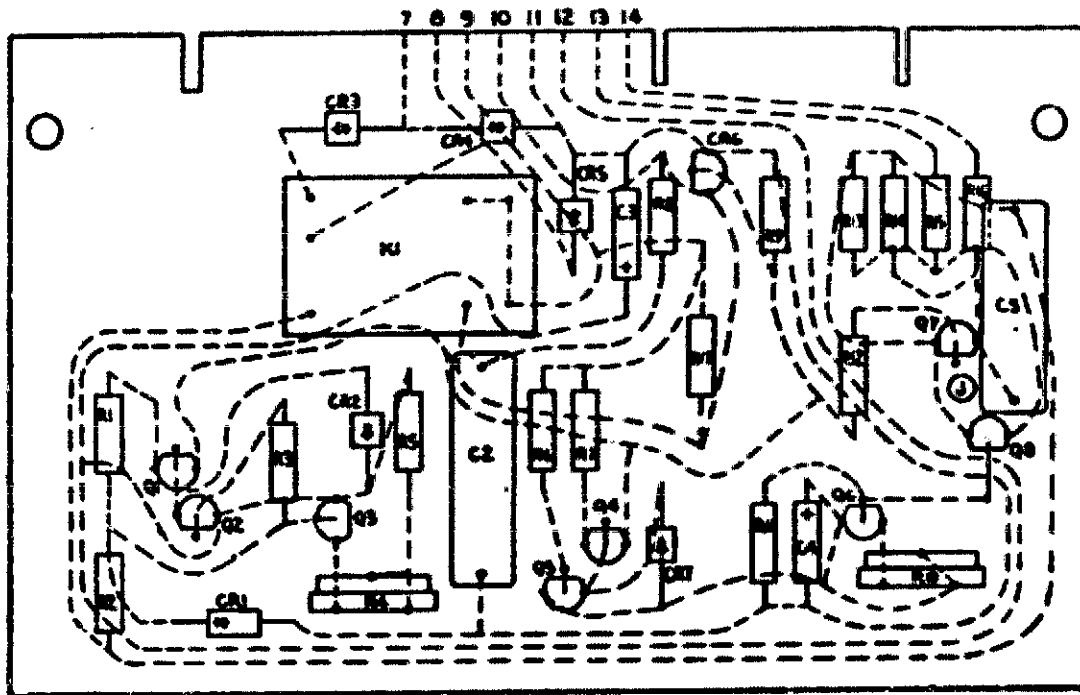
CRANKER CYCLE CONTROL (OPTIONAL)



REF. NO.	PART NO.	QTY. USED	PART DESCRIPTION
	300-0714		Control, Cranker Cycle - 12 Volt
C1	356-0039	1	Capacitor, Electrolytic (100 Mfd, 10 Volt)
C2	355-0029	1	Capacitor, Plastic Dielectric (.015 Mfd, 100 VDC, 10%)
CR1	359-0027	1	Diode, Zener
CR2	357-0004	1	Diode, Rectifier (400 MA, 400 Volt)
CR3	357-0004	1	Diode, Rectifier (400 MA, 400 Volt)
CR4	357-0004	1	Diode, Rectifier (400 MA, 400 Volt)
H1	812-0061	2	Screw, Machine, Round Head (#6-32 x 3/8")
H2	853-0003	2	Washer, Lock - External Tooth (#6)
H3	860-0006	2	Nut, Hex (#6-32)
Q1	362-0008	1	Transistor
Q2	362-0008	1	Transistor
Q3	362-0017	1	Transistor
Q4	362-0026	1	Transistor
Q5	362-0033	1	Transistor
R1	303-0171	1	Potentiometer (100,000-Ohm, 1/4 Watt)
R2	350-0560	1	Resistor, Composition (0.1 Megohm, 1/2 Watt, 10%)
R3	350-0548	1	Resistor, Composition (10,000-Ohm, 1/2 Watt, 10%)
R4	303-0171	1	Potentiometer (100,000-Ohm, 1/4 Watt)
R5	350-0558	1	Resistor, Composition (68,000-Ohm, 1/2 Watt, 10%)
R6	350-0420	1	Resistor, Composition (24,000-Ohm, 1/2 Watt, 5%)
R7	350-0546	1	Resistor, Composition (6800-Ohm, 1/2 Watt, 10%)
R8	350-0520	1	Resistor, Composition (47-Ohm, 1/2 Watt, 5%)
R9	350-0548	1	Resistor, Composition (10,000-Ohm, 1/2 Watt, 10%)
R10	350-0500	1	Resistor, Composition (1-Ohm, 1/2 Watt, 10%)
R11	352-0152	1	Resistor, Wirewound (25-Ohm, 5 Watt, 5%)
TB1	332-1275	1	Printed Wiring Board
C3	356-0045	1	Capacitor, Electrolytic (25 Mfd, 15 Volt)
C4	355-0010	1	Capacitor, Composition (.0022 Mfd, 100 Volt)

977-0308 (APRIL 1978)

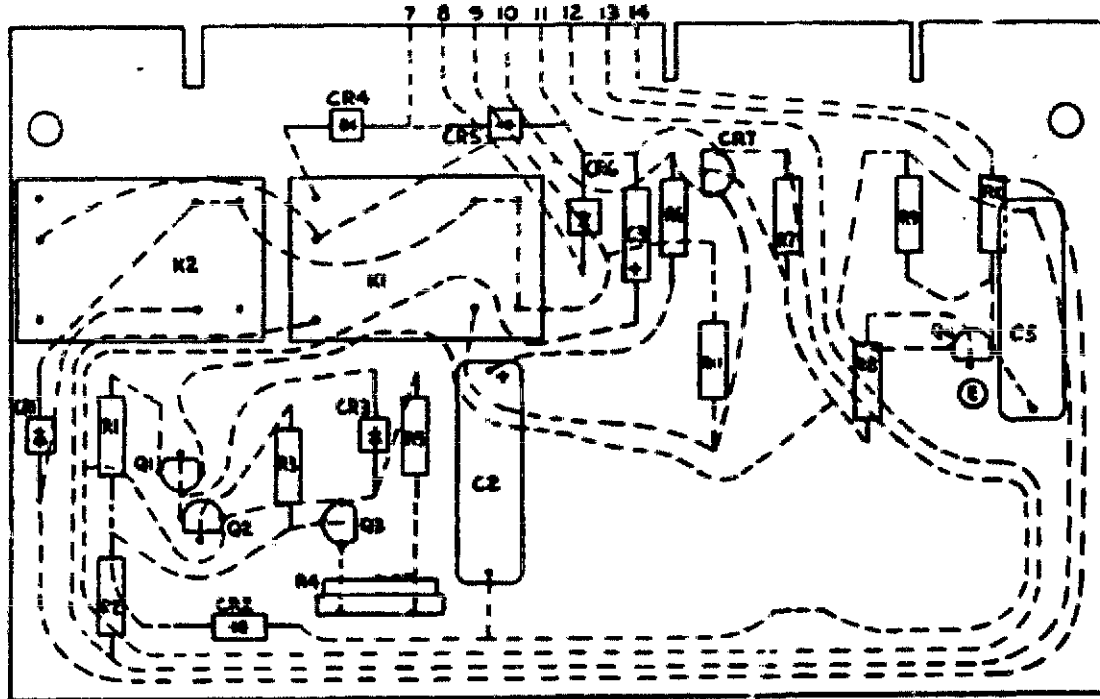
ENGINE CONTROL MONITOR (ONE FAULT LIGHT)



REF. NO.	PART NO.	QTY. USED	PART DESCRIPTION	REF. NO.	PART NO.	QTY. USED	PART DESCRIPTION
	300-0679		Monitor, Engine Control - 12 Volt	R1	350-0536	1	Resistor, Composition (1000-Ohm, 1/2 Watt, 10%)
C1			Not used	R2	350-0526	1	Resistor, Composition (100-Ohm, 1/2 Watt, 10%)
C2	355-0043	1	Capacitor, Plastic Dielectric (.22 Mfd, 250 VDC, 10%)	R3	350-0548	1	Resistor, Composition (10,000-Ohm, 1/2 Watt, 10%)
C3	356-0040	1	Capacitor, Electrolytic (10 Mfd, 20 Volt)	R4	303-0169	1	Potentiometer (3.5 Meg Ohm, 1/4 Watt, 30%)
C4	356-0030	1	Capacitor, Electrolytic (1 Mfd, 35 Volt)	R5	350-0572	1	Resistor, Composition (1-Meg Ohm, 1/2 Watt, 10%)
C5	355-0043	1	Capacitor, Plastic Dielectric (.22 Mfd, 250 VDC, 10%)	R6	350-0552	1	Resistor, Composition (22,000-Ohm, 1/2 Watt, 10%)
CR1	359-0027	1	Diode, Zener (1 Watt, 7.5 Volt, 5%)	R7	350-0536	1	Resistor, Composition (1000-Ohm, 1/2 Watt, 10%)
CR2	357-0004	1	Diode, Rectifier (400 MA, 400 Volt)	R8	350-0505	1	Resistor, Composition (27-Ohm, 1/2 Watt, 10%)
CR3	357-0004	1	Diode, Rectifier (400 MA, 400 Volt)	R9	350-0517	1	Resistor, Composition (27-Ohm, 1/2 Watt, 10%)
CR4	357-0004	1	Diode, Rectifier (400 MA, 400 Volt)	R10	303-0169	1	Potentiometer (3.5-Meg Ohm, 1/4 Watt, 30%)
CR5	357-0004	1	Diode, Rectifier (400 MA, 400 Volt)	R11	350-0540	1	Resistor, Composition (2200-Ohm, 1/2 Watt, 10%)
CR6	364-0017	1	Diode, Rectifier (8 Amp, 30 Volt)	R12	350-0529	1	Resistor, Composition (270-Ohm, 1/2 Watt, 10%)
CR7	357-0004	1	Diode, Rectifier (400 MA, 400 Volt)	R13	350-0529	1	Resistor, Composition (270-Ohm, 1/2 Watt, 10%)
K1	307-1039	1	Relay, Armature (12 Volt)	R14	350-0529	1	Resistor, Composition (270-Ohm, 1/2 Watt, 10%)
Q1	361-0003	1	Transistor	R15	350-0540	1	Resistor, Composition (2200-Ohm, 1/2 Watt, 10%)
Q2	362-0025	1	Transistor	R16	350-0540	1	Resistor, Composition (2200-Ohm, 1/2 Watt, 10%)
Q3	362-0025	1	Transistor	R17	350-1128	1	Resistor, Composition (220-Ohm, 2 Watt, 10%)
Q4	361-0003	1	Transistor				
Q5	362-0025	1	Transistor	TB1	332-1246	1	Printed Wiring Board
Q6	362-0025	1	Transistor				
Q7	362-0008	1	Transistor				
Q8	362-0008	1	Transistor				

977-8289 (APRIL 1979)

ENGINE CONTROL MONITOR - PENN STATE (1 FAULT LIGHT)

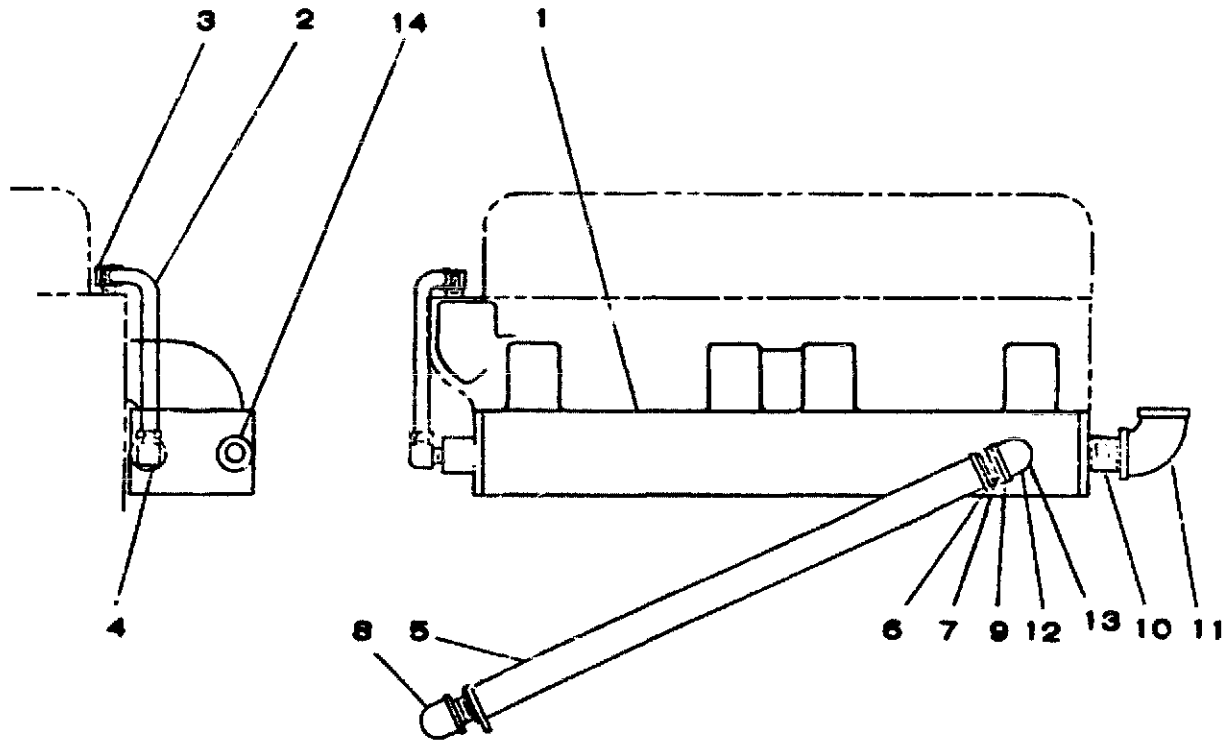


REF. NO.	PART NO.	QTY. USED	PART DESCRIPTION	REF. NO.	PART NO.	QTY. USED	PART DESCRIPTION
	360-0730		Monitor, Engine Control - 12 Volt (Penn State)	Q2	362-0025	1	Transistor
C1			Not used	Q3	362-0025	1	Transistor
C2	355-0005	1	Capacitor, Plastic Dielectric (22 Mfd, 200 VDC, 10%)	Q4	362-0008	1	Transistor
C3	356-0040	1	Capacitor, Electrolytic (10 Mfd, 20 Volt)	R1	350-C536	1	Resistor, Composition (100-Ohm, 1/2 Watt, 10%)
C4			Not used	R2	350-0526	1	Resistor, Composition (100-Ohm, 1/2 Watt, 10%)
C5	355-0005	1	Capacitor, Plastic Dielectric (22 Mfd, 200 VDC, 10%)	R3	350-0552	1	Resistor, Composition (22,000-Ohm, 1/2 Watt, 10%)
CR1	357-0004	1	Diode, Rectifier (400 MA, 400 Volt)	R4	303-0169	1	Potentiometer (3.5 Megohm, 1/4 Watt, 30%)
CR2	359-0027	1	Diode, Zener (1 Watt, 7.5 Volt, 5%)	R5	350-0572	1	Resistor, Composition (1 Megohm, 1/2 Watt, 10%)
CR3	357-0004	1	Diode, Rectifier (400 MA, 400 Volt)	R6	350-0505	1	Resistor, Composition (2.7-Ohm, 1/2 Watt, 10%)
CR4	357-0004	1	Diode, Rectifier (400 MA, 400 Volt)	R7	350-0517	1	Resistor, Composition (27-Ohm, 1/2 Watt, 10%)
CR5	357-0004	1	Diode, Rectifier (400 MA, 400 Volt)	R8	350-0529	1	Resistor, Composition (270-Ohm, 1/2 Watt, 10%)
CR6	357-0004	1	Diode, Rectifier (400 MA, 400 Volt)	R9	350-0529	1	Resistor, Composition (270-Ohm, 1/2 Watt, 10%)
CR7	364-L	1	Diode, Rectifier (8 Amp, 30 Volt)	R10	350-0540	1	Resistor, Composition (2200-Ohm, 1/2 Watt, 10%)
K1	307-1039	1	Relay, Armature (12 Volt)	R11	350-0971	1	Resistor, Composition (220-Ohm, 2 Watt, 5%)
K2	307-1039	1	Relay, Armature (12 Volt)				
Q1	361-0003	1	Transistor				

977-6308 (APRIL 1978)

WATER COOLED MANIFOLD INSTALLATION

179-0265

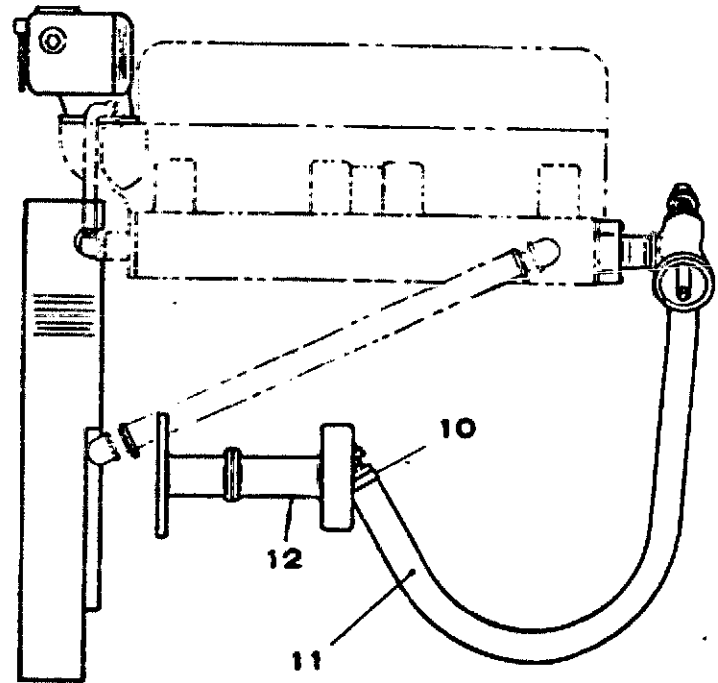
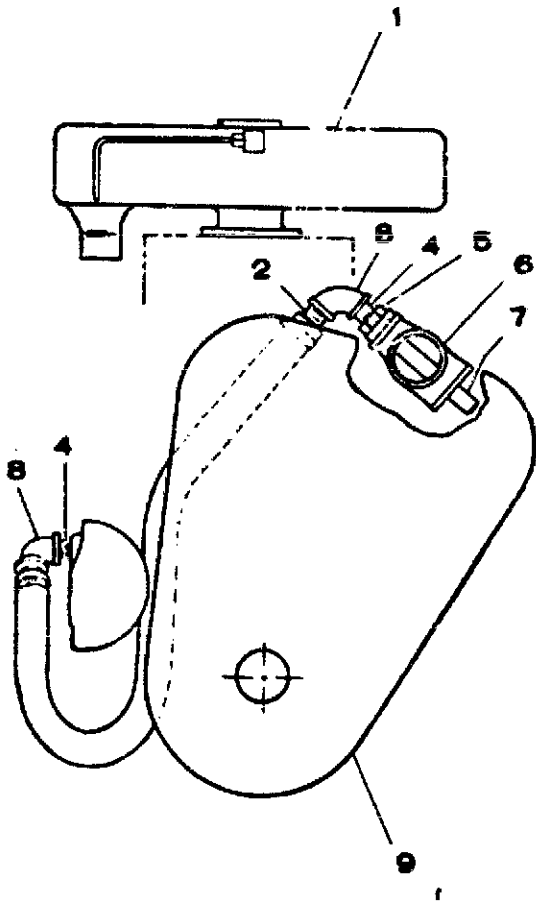


REF. NO.	PART NO.	QTY. USED	PART DESCRIPTION
1	154-0889	1	Manifold
2	130-0674	1	Line Assembly, Water
3	502-0074	1	Elbow
4	502-0073	1	Elbow
5		1	Hose (Order 30" of Bulk Hose #503-0386)
6	503-0183	2	Clamp
7	505-0135	2	Nipple, Half (3/8 x 1-1/2")
8	505-0120	1	Elbow, Street (3/8" x 90°)
9	505-0207	1	Bushing, Reducer (1/2" x 3/8")
10	505-0172	1	Nipple (2")
11	505-0175	1	Elbow (2" x 90°)
12	505-0040	1	Elbow - Pipe (1/2" x 90°)
13	505-0100	1	Nipple, Close (1/2")
14	505-0056	1	Plug - Square Head (1/2")

977-0300 (APRIL 1979)

EXPANSION TANK INSTALLATION

179-1099

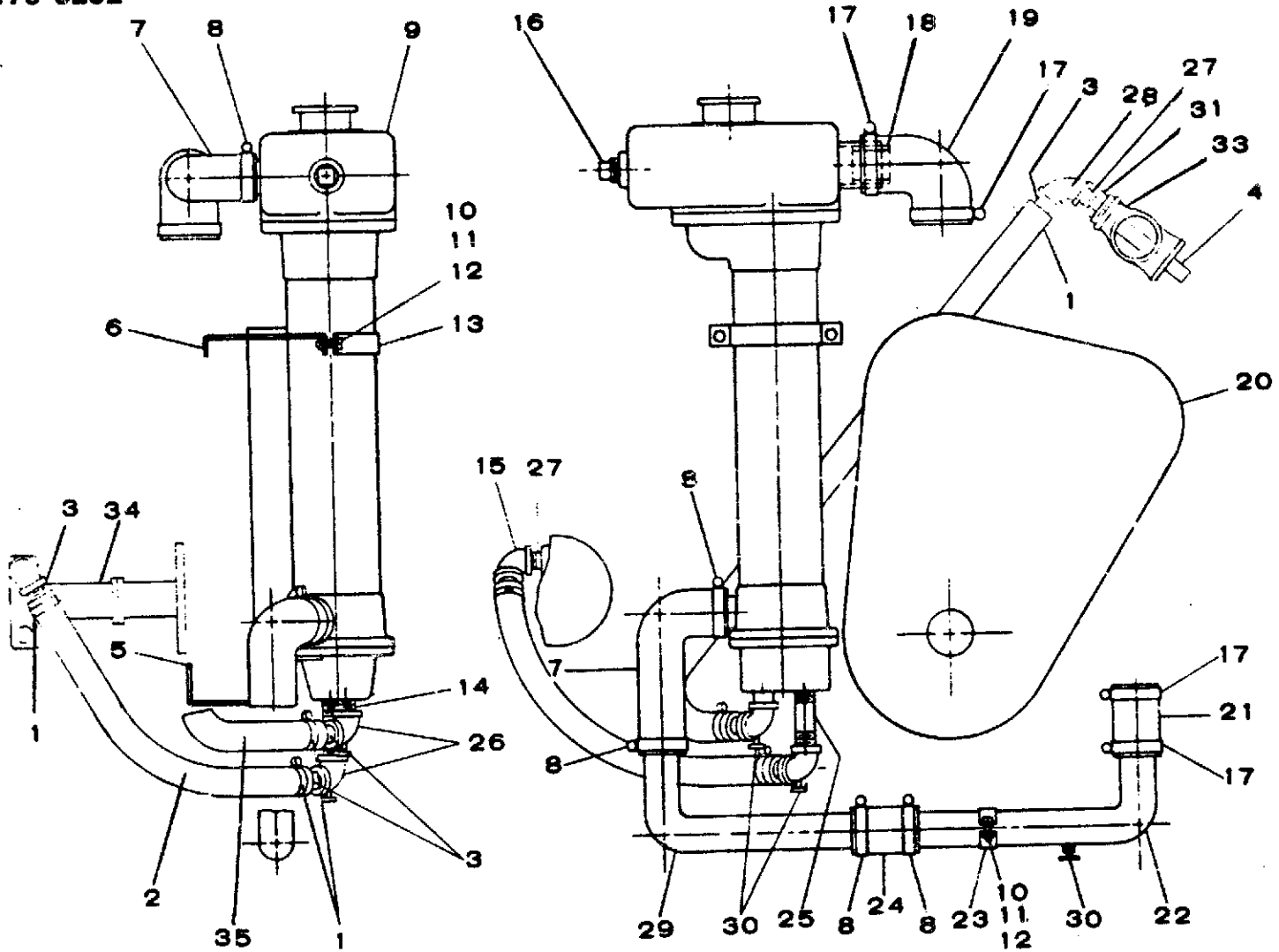


REF. NO.	PART NO.	QTY. USED	PART DESCRIPTION
1	130-0705	1	Tank, Expansion
2	505-0324	2	Nipple, Half (3/4)
4	505-0102	2	Nipple, Close (3/4)
5	505-0772	1	Bushing, Tank (3/4)
6	505-0771	1	Tee, Reducing
7	130-0725	1	Tube, Water Outlet
8	505-0132	2	Elbow, Pipe (3/4)
9	130-0785	1	Guard, Belt
10	503-0189	2	Clamp, Hose
11	503-0249	4 ft	Hose
12	132-0109	1	Pump, Water (Includes Gear Drive Assembly) (See separate entry for pump only)
	132-0146	1	Pump Only, Water (Part of 132-0109) (See separate group for components)
	132-0167	1	Gasket, Water Pump Only Mounting

877-0308 (APRIL 1978)

WATER COOLED MANIFOLD INSTALLATION - WITH HEAT EXCHANGER

179-0282



REF. NO.	PART NO.	QTY. USED	PART DESCRIPTION
1	503-0189	4	Clamp, Hose
2	503-0845	1	Hose
3	505-0907	4	Nipple, Half
4	130-0725	1	Tube, Exhaust - Water Outlet
5	130-0715	1	Bracket, Heat Exchanger Mounting
6	130-0721	1	Bracket, Heat Exchanger Mounting
7	503-0553	2	Hose
8	503-0004	5	Clamp, Hose
9	130-0505	1	Heat Exchanger
10	800-0007	3	Screw, Cap - Hex Head (1/4-20 x 1")
11	850-0040	3	Washer, Lock - Spring (1/4")
12	862-0001	3	Nut, Hex (1/4-20)
13	130-0722	1	Clamp, Heat Exchanger Mounting
14	505-0908	1	Nipple, Close (1")
16	505-0130	1	Pipe, Plug (3/4")
17	503-0365	4	Clamp, Hose
18	130-0508	1	Tube
19	503-0554	1	Hose
20	130-0785	1	Guard, Belt

REF. NO.	PART NO.	QTY. USED	PART DESCRIPTION
21	503-0552	1	Hose
22	130-0724	1	Tube, Water Inlet
23	331-0101	1	Hanger
24	503-0003	1	Hose
25	505-0910	1	Nipple (1" x 3")
26	505-0938	2	Elbow, Reducer (1" x 3/4")
27	505-0912	2	Nipple, Close (3/4")
28	505-0909	1	Elbow, Union
29	130-0349	1	Tube
30	504-0005	3	Drain, Cock
31	505-0772	1	Bushing, Tank
32	526-0127	2	Washer, Flat (13/32" ID x 25/32" OD x 1/8" Thk)
33	505-0771	1	Tee, Reducing
34	132-0109	1	Pump, Water (Includes Gear Drive Assembly) (See separate entry for pump only)
35	503-0853	1	Hose
	132-0146	1	Pump Only, Water (Part of 132-0109) (See Separate Group for Components)
	132-0167	1	Gasket, Mounting - Water Pump Only

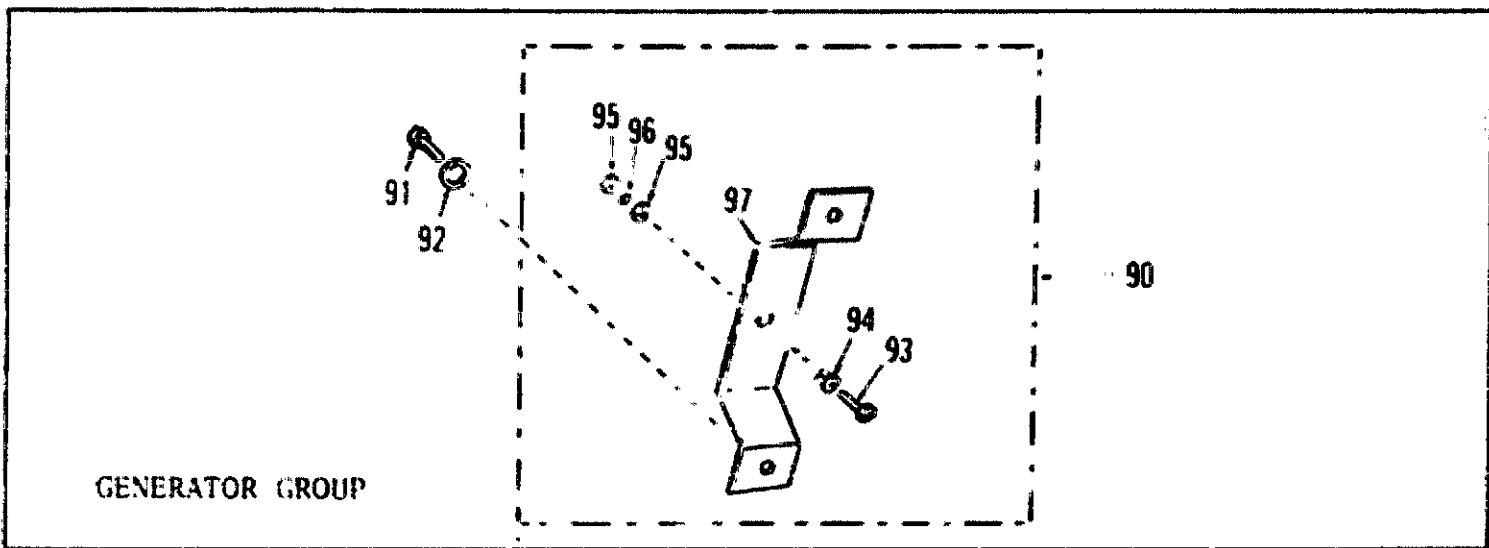
977-0309 (APRIL 1979)

900-0313
SUPPLEMENTARY PARTS LIST (10/74)

These parts apply to Specification Letter indicated below for the following series and Operators Manual and Parts Catalog:

SERIES	OPERATORS MANUAL AND PARTS CATALOG	SPECIFICATION LETTER
DEG	977-0308	H
DEH	976-0306	G
DYA	973-0307	F
MDEG	977-0309	H
MDEH	976-0307	G

Use these parts in place of/or in addition to those listed in the main Operators Manual and Parts Catalog. Parts that are similar in appearance to those listed in the main parts catalog are not illustrated.



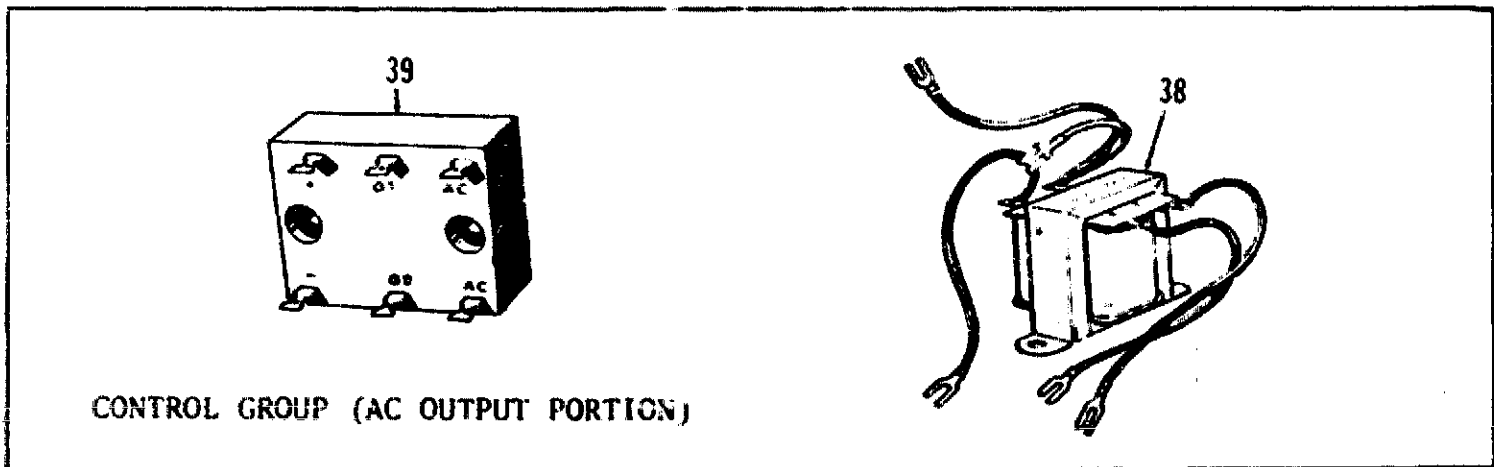
<u>REF. NO.</u>	<u>PART NO.</u>	<u>QTY. USED</u>	<u>PART DESCRIPTION</u>
22 through 31			DELETE
33 through 35			DELETE
43	220-2353	1	Stator Assembly, Wound - Exciter
47 through 50			*DELETE
51			DELETE (MDEG and MDEH)
52			DELETE (MDEG and MDEH and DYA)
53			DELETE (MDEG and MDEH)
54			*DELETE (DYA)
56			DELETE (DEG and DEH)
60			*DELETE (DYA)
87 through 89			DELETE (DEH and DEH)
90	150-1456	1	Bracket & Point Assembly, Overspeed Switch (Includes Parks Marked *)
91	800-0003	2	Screw, Hex Cap (1/4-20 x 1-1/4")
92	850-0040	2	Washer, Lock (1/4")
93	150-0723	1	*Point, Overspeed Switch
94	870-0250	1	*Nut, Insulation - Overspeed Switch
95	862-0001	2	*Nut, Hex - 1/4-20 Overspeed Switch

<u>REF. NO.</u>	<u>PART NO.</u>	<u>QTY. USED</u>	<u>PART DESCRIPTION</u>
96	853-0013	1	*Washer, Lock (1/4") - Overspeed Switch
97	150-1356	1	*Bracket, Overspeed Switch

- Delete hardware items related to voltage regulator chassis and overspeed switch only.

* - Parts included in 150-1546 Bracket and Point Assembly.

NOTE: Reference numbers at the end of group do not necessarily follow the last number in some manuals.



CONTROL GROUP (AC OUTPUT PORTION)

<u>REF. NO.</u>	<u>PART NO.</u>	<u>QTY. USED</u>	<u>PART DESCRIPTION</u>
19	HARNESS, WIRING - AC CONTROL (Includes Parts Marked * in main parts catalog).		
			Sets without Meter Panel
	338-0765	1	3R Sets
	338-0764	1	15R and 515R Sets
	338-0766	1	9XR Sets
			Sets with Meter Panel
	338-0735	1	3R Sets
	338-0730	1	15R and 515R Sets
	338-0759	1	9XR Sets
38	315-0384	1	Reactor Assembly, Commutator
39	305-0524	1	Bridge, Rectifier