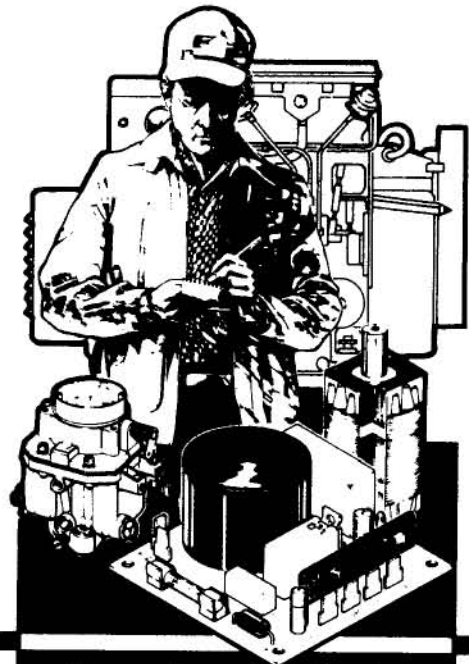


The following catalog has gaps in its page numbers, or doesn't have any numbers. We have chosen to leave the page numbering in the order that Acrobat assigns it.

Onan

Parts Manual 1.4 KK GenSet



Onan Service Parts

981-0228
6-85 (SPEC A)
REPLACES
12-83 (SPEC A)

Index

| | | | |
|----|------------------------|----|------------------------|
| 4 | Bearing, Crankshaft | 9 | Kit, Carb Repair |
| 16 | Breaker, Circuit | 16 | Lamp, Control |
| 3 | Camshaft | 7 | Lamp Assy |
| 12 | Cap, Fuel Tank | 8 | Lever, Governor |
| 9 | Carburetor | 7 | Magneto |
| 10 | Cleaner, Air | 11 | Muffler |
| 7 | Coil, Ignition | 18 | Paint |
| 16 | Control | 5 | Pipe, Breather |
| 16 | Cord Assy, DC | 4 | Piston |
| 4 | Crankshaft | 8 | Plate Assy, Speed Ctrl |
| 14 | Diode Assy | 2 | Plug, Drain |
| 10 | Filter, Air | 2 | Plug, Oil |
| 12 | Filter, Fuel | 7 | Plug, Spark |
| 13 | Frame | 6 | Pulley, Starter |
| 5 | Gasket, Breather | 7 | Regulator |
| 10 | Gasket, Carburetor Mtg | 4 | Ring Assy, Piston |
| 2 | Gasket, Crankcase | 4 | Rod Assy, Connecting |
| 2 | Gasket, Cylinder Head | 6 | Rope, Start |
| 12 | Gasket, Fuel Tank | 14 | Rotor, Generator |
| 2 | Gasket, Drain Plug | 7 | Rotor, Magneto |
| 18 | Gasket Set | 6 | Starter Assy, Recoil |
| 3 | Gear, Camshaft | 14 | Stater |
| 4 | Gear, Crankshaft | 7 | Switch Assy, Stop |
| 3 | Gear, Governor | 12 | Tank, Fuel |
| 8 | Governor | 5 | Valve, Exhaust |
| 12 | Gauge, Fuel | 5 | Valve, Inlet |
| 14 | Holder Assy, Brush | 2 | Watch Assy, Oil |

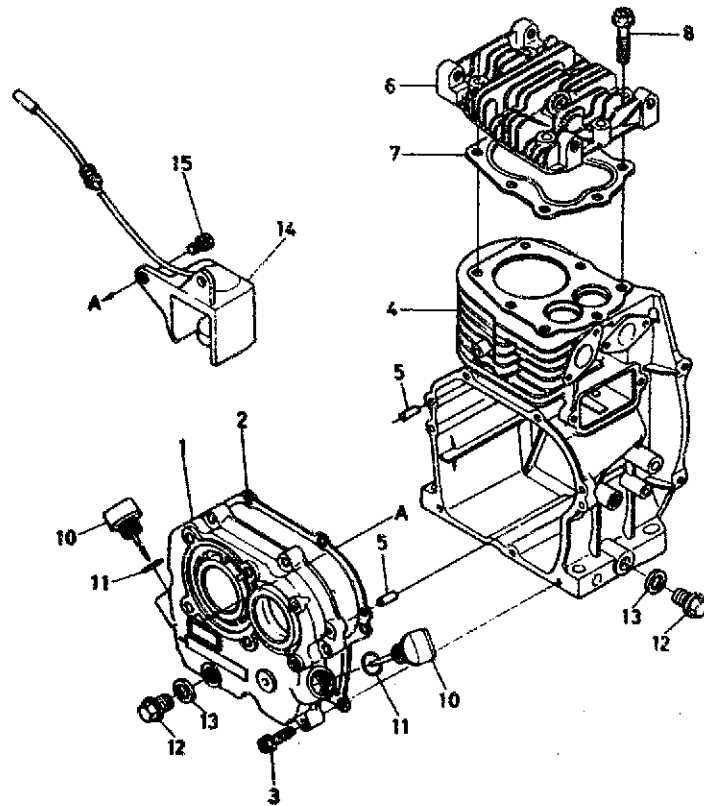
Introduction

This catalog applies to the KK Generator Set. Parts are arranged in groups of related items and each illustrated part is identified by a reference number in the parts list. Unless otherwise mentioned in the description, parts are interchangeable between models. Parts illustrations are typical. Using the model and specification number from your generator set nameplate, select parts that apply to your set. Right and left sides are determined by facing the engine end (front) of the set.

Abbreviations

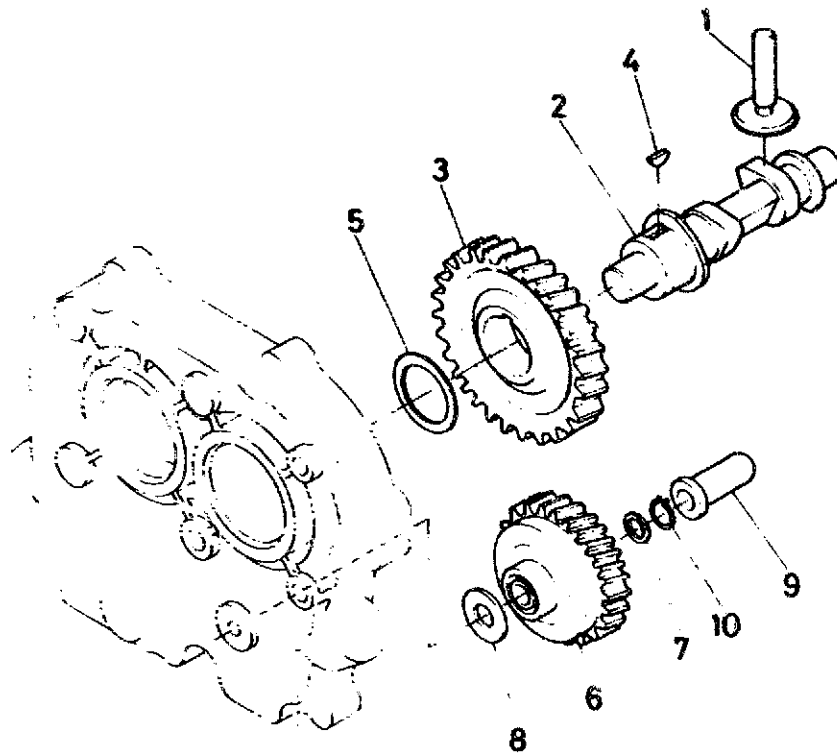
NFS - Not For Sale

Cylinder



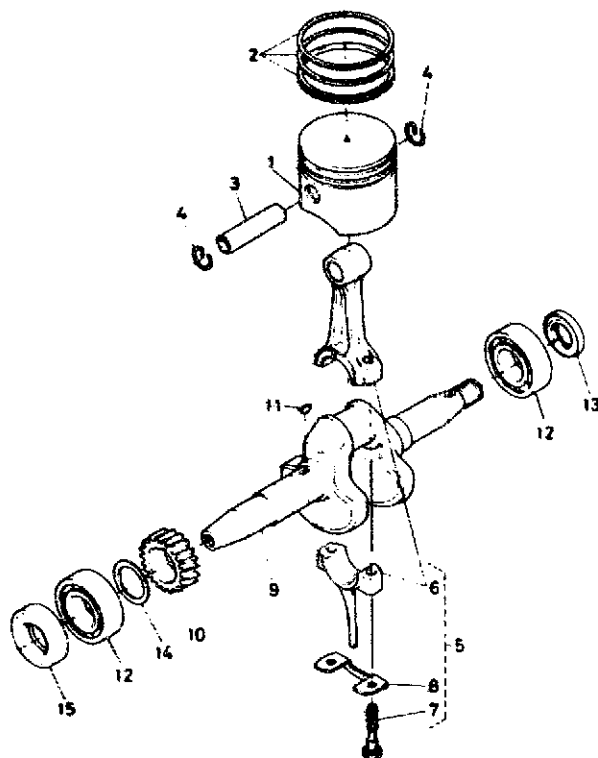
| Ref. No. | Part No. | Qty. Used | Part Description |
|----------|----------|-----------|-----------------------|
| 1 | 185-3177 | 1 | Crankcase Assy |
| 2 | 185-3625 | 1 | Gasket |
| 3 | 185-3691 | 7 | Bolt |
| 4 | 185-3825 | 1 | Cylinder |
| 5 | 185-3082 | 2 | Pin, Straight |
| 6 | 185-3627 | 1 | Head, Cylinder |
| 7 | 185-3628 | 1 | Gasket, Cylinder Head |
| 8 | 185-3629 | 7 | Bolt, Cylinder Head |
| 9 | | | |
| 10 | 185-3654 | 2 | Plug, Oil Filler |
| 11 | 185-3078 | 2 | Ring, O |
| 12 | 185-3656 | 2 | Plug, Drain |
| 13 | 185-3077 | 2 | Gasket |
| 14 | 185-3184 | 1 | Watch Assy, Oil |
| 15 | 185-2387 | 2 | Bolt |

Camshaft



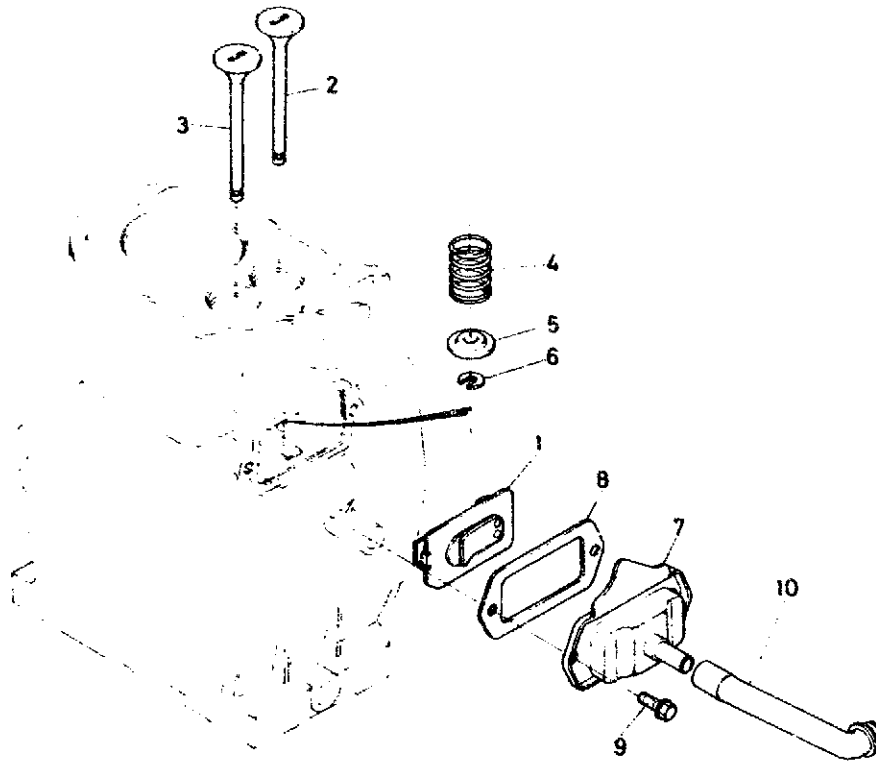
| Ref. No. | Part No. | Qty. Used | Part Description |
|----------|----------|-----------|---------------------|
| 1 | 185-3644 | 2 | Tappet |
| 2 | 185-3698 | 1 | Camshaft |
| 3 | 185-3645 | 1 | Gear, Camshaft |
| 4 | 185-3087 | 1 | Key, Woodruff |
| 5 | 185-3699 | 1 | Shim 20 |
| 5 | 185-3700 | 1 | Shim 25 |
| 5 | 185-3701 | 1 | Shim 30 |
| 5 | 185-3702 | 1 | Shim 35 |
| 5 | 185-3703 | 1 | Shim 40 |
| 5 | 185-3704 | 1 | Shim 50 |
| 6 | 185-3674 | 1 | Gear Assy, Governor |
| 7 | 185-3484 | 1 | Washer 1 |
| 8 | 185-3485 | 1 | Washer 2 |
| 9 | 185-3675 | 1 | Sleeve, Governor |
| 10 | 185-3487 | 1 | Stopper |

Crankshaft



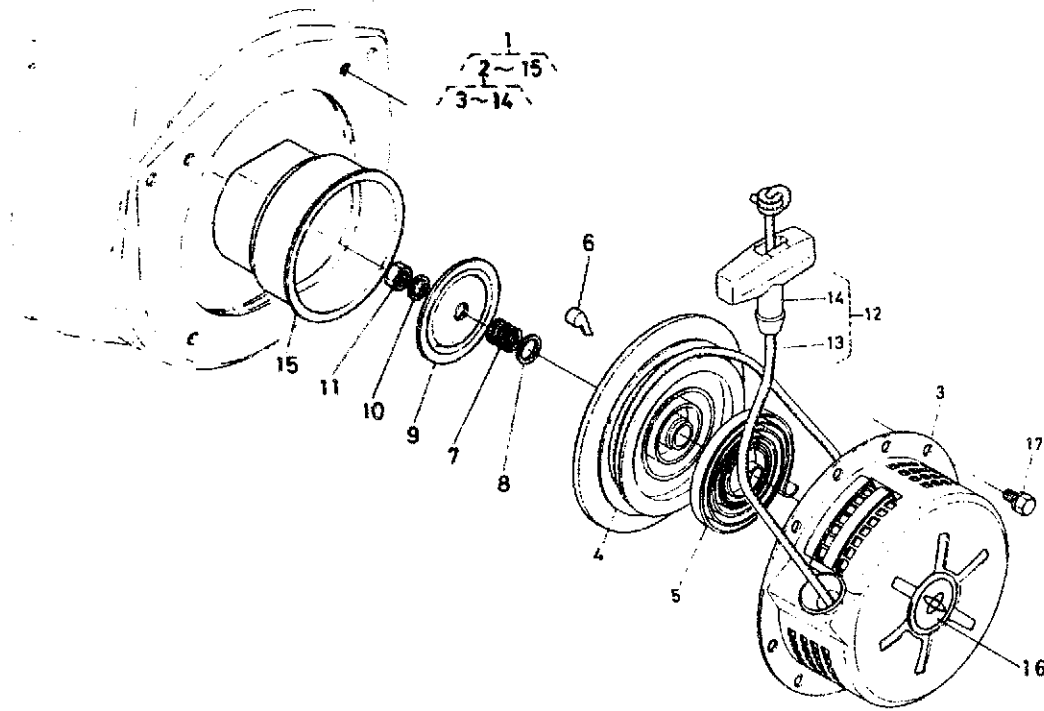
| Ref. No. | Part No. | Qty. Used | Part Description |
|----------|----------|-----------|----------------------------------|
| 1 | 185-3647 | 1 | Piston |
| 1 | 185-4089 | 1 | Piston .5mm Oversize |
| 2 | 185-3646 | 1 | Ring Assy, Piston |
| 2 | 185-4090 | 1 | Ring Assy, Piston .5 mm Oversize |
| 3 | 185-3648 | 1 | Pin, Piston |
| 4 | 185-3306 | 2 | Cir-Clip, Internal |
| 5 | 185-3649 | 1 | Rod Assy, Connecting |
| 6 | 185-3649 | 1 | Rod, Connecting |
| 7 | 185-3651 | 2 | Bolt, Connecting Rod |
| 8 | 185-3652 | 1 | Washer, Rod Bolt |
| 9 | 185-3712 | 1 | Crankshaft |
| 10 | 185-3653 | 1 | Gear, Crankshaft |
| 11 | 185-3087 | 1 | Key, Woodruff |
| 12 | 185-3093 | 2 | Bearing, Ball |
| 13 | 185-3101 | 1 | Seal, Oil |
| 14 | 185-3362 | 1 | Shim 20 |
| 14 | 185-3356 | 1 | Shim 25 |
| 14 | 185-3357 | 1 | Shim 30 |
| 14 | 185-3355 | 1 | Shim 35 |
| 14 | 185-3358 | 1 | Shim 40 |
| 14 | 185-3359 | 1 | Shim 45 |
| 14 | 185-3360 | 1 | Shim 50 |
| 14 | 185-3361 | 1 | Shim 55 |
| 15 | 185-3102 | 1 | Seal, Oil |

Breather And Valves



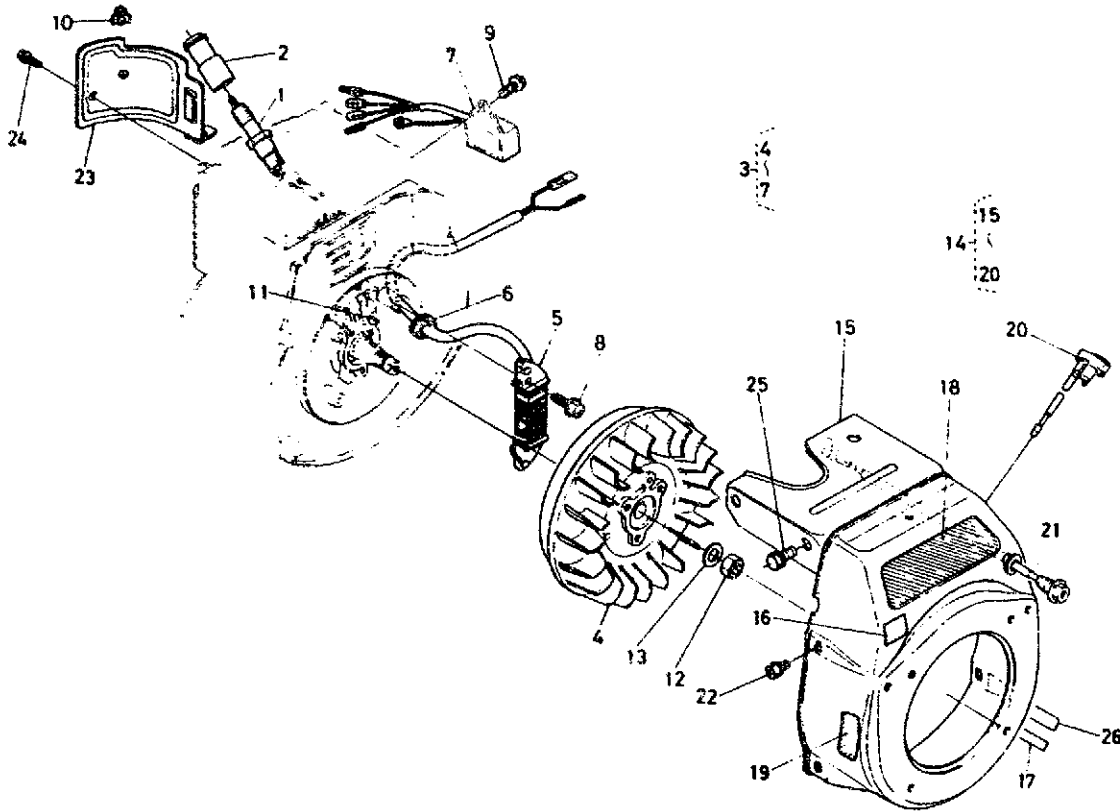
| Ref. No. | Part No. | Qty. Used | Part Description |
|----------|----------|-----------|------------------------|
| 1 | 185-3630 | 1 | Breather Assy |
| 2 | 185-3638 | 1 | Valve, Inlet |
| 3 | 185-3724 | 1 | Valve, Exhaust |
| 4 | 185-3639 | 2 | Spring, Valve |
| 5 | 185-3640 | 2 | Retainer, Valve Spring |
| 6 | 185-3641 | 2 | Collet, Valve Spring |
| 7 | 185-3104 | 1 | Cover |
| 8 | 185-3105 | 1 | Gasket |
| 9 | 185-3692 | 2 | Bolt |
| 10 | 185-3707 | 1 | Pipe, Breather |

Recoil Starter



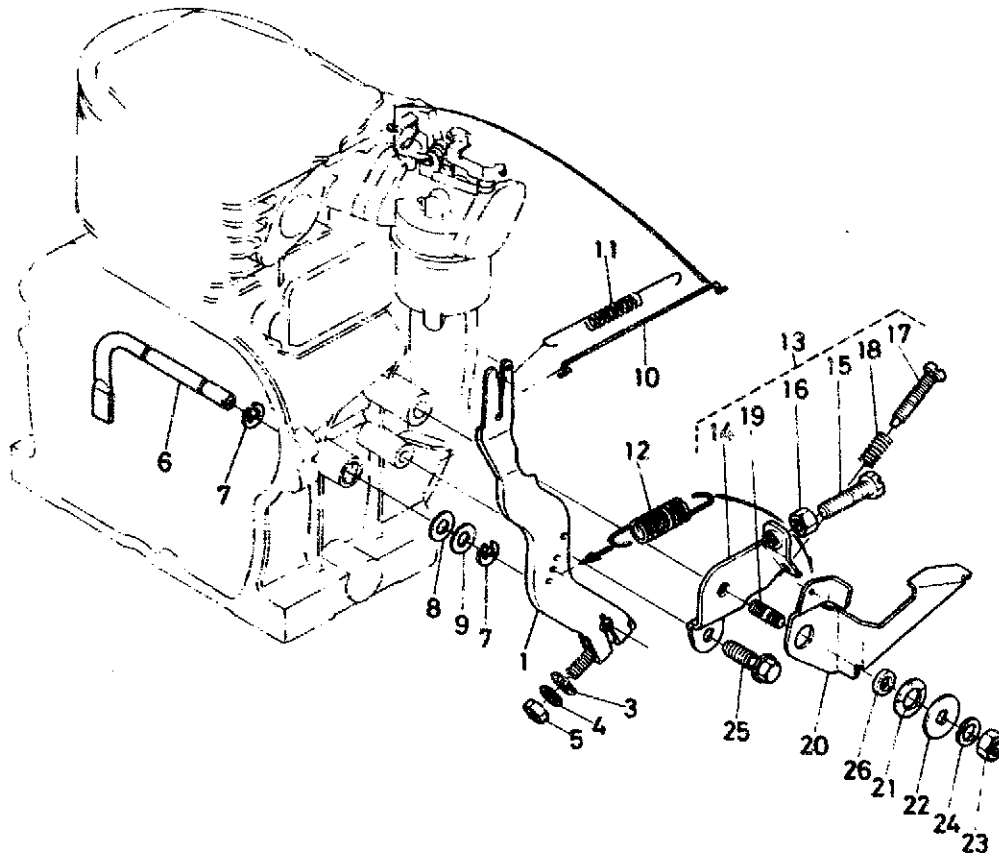
| Ref. No. | Part No. | Qty. Used | Part Description |
|----------|----------|-----------|--------------------------|
| 1 | NFS | 1 | Starter Assy, Recoil |
| 2 | 185-3189 | 1 | Starter Assy, Recoil Sub |
| 3 | 185-3190 | 1 | Case, Recoil Starter |
| 4 | 185-3682 | 1 | Reel |
| 5 | 185-3684 | 1 | Spring, Spiral |
| 6 | 185-3683 | 1 | Claw |
| 7 | 185-3705 | 1 | Spring |
| 8 | 185-3686 | 1 | Washer |
| 9 | 185-3685 | 1 | Plate, Pressure |
| 10 | 185-2380 | 1 | Washer, Spring |
| 11 | 185-3026 | 1 | Nut |
| 12 | 185-3681 | 1 | Rope Assy |
| 13 | 185-3687 | 1 | Rope |
| 14 | 185-3681 | 1 | Handle |
| 15 | 185-3108 | 1 | Pulley, Start |
| 16 | 185-3960 | 1 | Label, Ignition |
| 17 | 185-3012 | 4 | Bolt |

Magneto



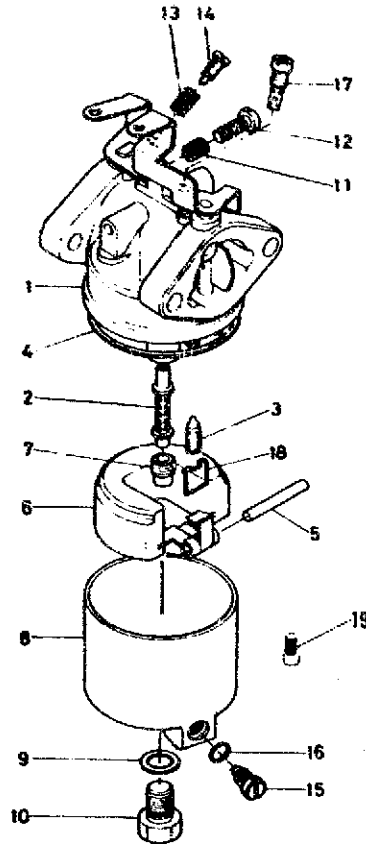
| Ref. No. | Part No. | Qty. Used | Part Description |
|----------|----------|-----------|----------------------|
| 1 | 185-3824 | 1 | Plug, Spark |
| 2 | 185-3729 | 1 | Cap, Spark Plug |
| 3 | NFS | 1 | Magneto Assy |
| 4 | 185-3109 | 1 | Rotor |
| 5 | 185-3106 | 1 | Coil, Ignition |
| 6 | 185-3827 | 1 | Gromet |
| 7 | 185-3192 | 1 | Regulator |
| 8 | 185-3383 | 2 | Bolt |
| 9 | 185-3692 | 2 | Bolt |
| 10 | 185-3689 | 1 | Clamp, Cord |
| 11 | 185-3087 | 1 | Key, Woodruff |
| 12 | 185-3349 | 1 | Nut |
| 13 | 185-3069 | 1 | Washer, Plain |
| 14 | 185-3179 | 1 | Case Assy, Spiral |
| 15 | 185-3180 | 1 | Case, Spiral |
| 16 | 185-3720 | 1 | Label, Oil Watch |
| 17 | 185-4057 | 1 | Label, Mfd |
| 18 | 185-3725 | 1 | Label, Tagalong Logo |
| 19 | 185-3199 | 1 | Label, Speed |
| 20 | 185-3107 | 1 | Switch Assy, Stop |
| 21 | 185-3186 | 1 | Lamp Assy |
| 22 | 185-3503 | 4 | Bolt |
| 23 | 185-3828 | 1 | Cowling, Cylinder |
| 24 | 185-3730 | 1 | Bolt |
| 25 | 185-3005 | 2 | Bolt |
| 26 | 185-3540 | 1 | Label |

Governor



| Ref. No. | Part No. | Qty. Used | Part Description |
|----------|----------|-----------|---------------------------|
| 1 | 185-3676 | 1 | Lever, Governor |
| 2 | | | |
| 3 | 185-2376 | 1 | Washer, Plain |
| 4 | 185-2380 | 1 | Washer, Spring |
| 5 | 185-3026 | 1 | Nut |
| 6 | 185-3678 | 1 | Shaft, Governor Lever |
| 7 | 185-3072 | 2 | Cir-Clip, External |
| 8 | 185-3679 | 1 | Gasket |
| 9 | 185-2376 | 1 | Washer, Plain |
| 10 | 185-3680 | 1 | Rod, Governor Connecting |
| 11 | 185-3110 | 1 | Spring |
| 12 | 185-3241 | 1 | Spring |
| 13 | 185-3716 | 1 | Plate Assy, Speed Control |
| 14 | 185-3716 | 1 | Plate, Speed Control |
| 15 | 185-3539 | 1 | Screw |
| 16 | 185-2364 | 1 | Nut |
| 17 | 185-3387 | 1 | Screw |
| 18 | 185-3496 | 1 | Spring |
| 19 | 185-2359 | 1 | Stud |
| 20 | 185-3717 | 1 | Lever, Speed Control |
| 21 | 185-3566 | 1 | Washer, Spring |
| 22 | 185-3382 | 1 | Plate, Pressure |
| 23 | 185-3026 | 1 | Nut |
| 24 | 185-2380 | 1 | Washer, Spring |
| 25 | 185-3692 | 1 | Bolt |
| 26 | 185-3381 | 1 | Collar |

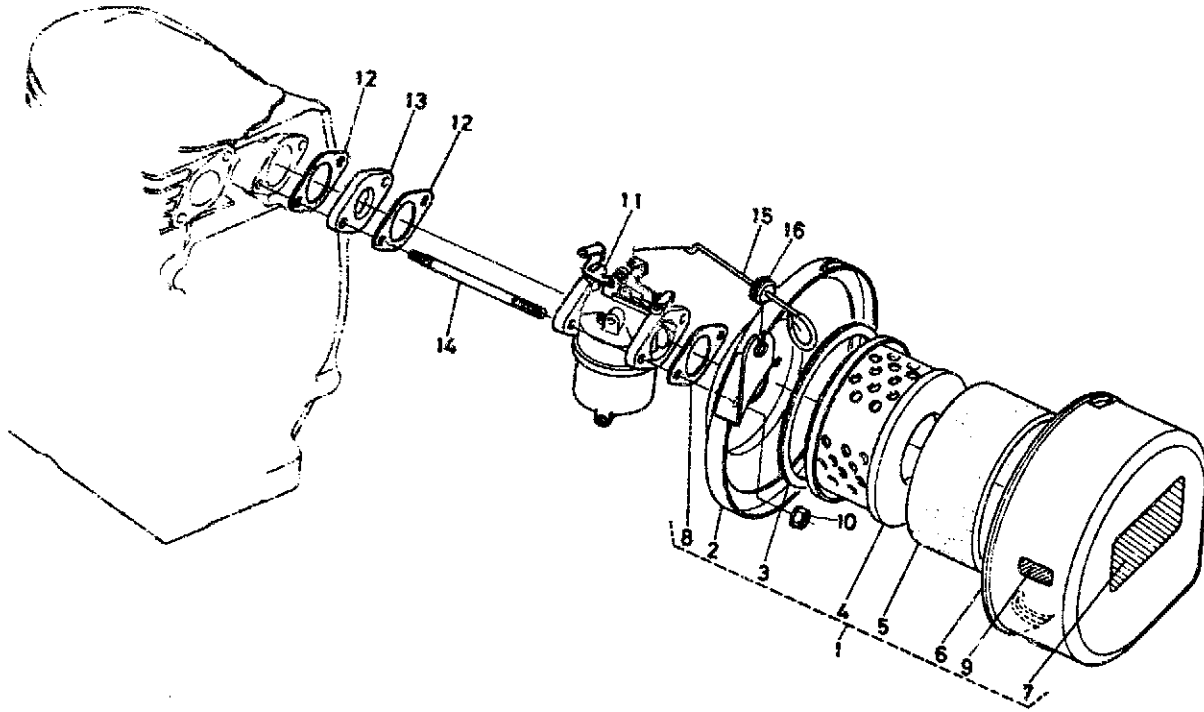
Carburetor



| Ref. No. | Part No. | Qty. Used | Part Description |
|----------|----------|-----------|---|
| | 185-3713 | 1 | Carburetor Assv (Includes Items 1-18) |
| 1 | 185-3714 | 1 | Body, Carburetor |
| 2 | 185-3715 | 1 | Nozzle, Main |
| 3 | NFS | 1 | Valve Assv, Float |
| 4 | 185-3668 | 1 | *Gasket |
| 5 | NFS | 1 | *Pin, Arm |
| 6 | 185-3666 | 1 | Float |
| 7 | 185-3663 | 1 | Jet, Main |
| 8 | 185-3667 | 1 | Chamber, Float |
| 9 | NFS | 1 | *Gasket |
| 10 | 185-3665 | 1 | Bolt |
| 11 | 185-3403 | 1 | Spring |
| 12 | 185-3664 | 1 | Screw |
| 13 | NFS | 1 | *Spring |
| 14 | NFS | 1 | *Screw, Adjusting |
| 15 | 185-3670 | 1 | Screw, Drain |
| 16 | NFS | 1 | *Ring, O |
| 17 | 185-3402 | 1 | Jet |
| 18 | NFS | 1 | *Clip |
| 19 | 185-3767 | 1 | Screw, Set |
| | 185-4126 | 1 | Kit, Carb Repair (Includes Parts Marked * Plus Mounting Gasket) |

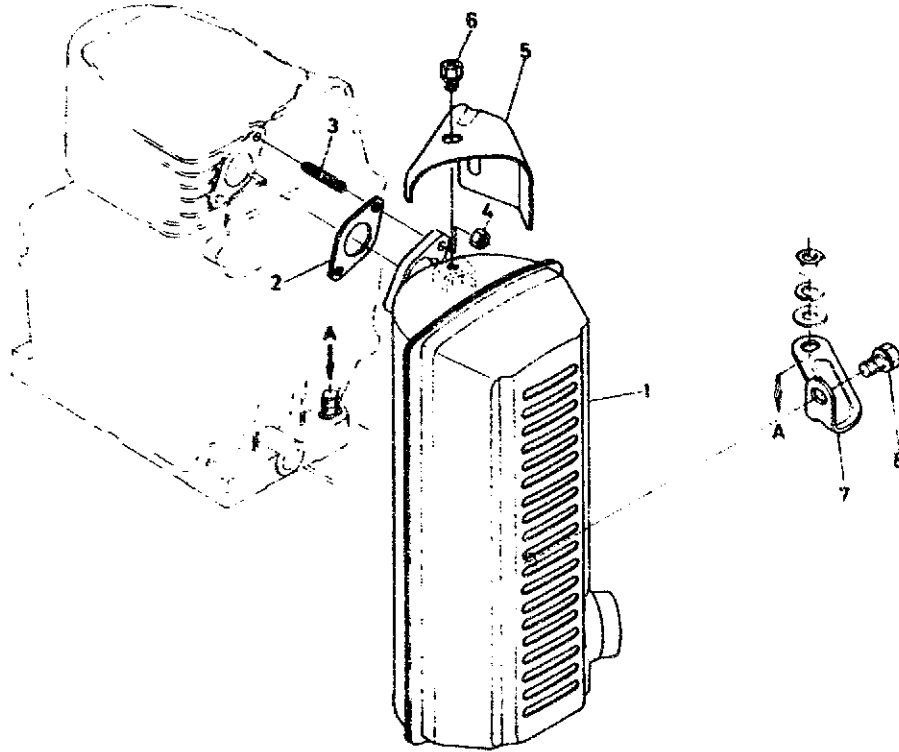
* Parts Included in 185-4126 Carburetor Repair Kit

Air Cleaner



| Ref. No. | Part No. | Qty. Used | Part Description |
|----------|----------|-----------|---------------------|
| 1 | 185-3200 | 1 | Cleaner Assy, Air |
| 2 | 185-3708 | 1 | Body, Air Cleaner |
| 3 | 185-3584 | 1 | Plate |
| 4 | 185-3201 | 1 | Element Assy |
| 5 | 185-3583 | 1 | Sponge, Air Cleaner |
| 6 | 185-3608 | 1 | Cover, Air Cleaner |
| 7 | 185-3607 | 1 | Label, Air Cleaner |
| 8 | 185-3709 | 1 | Gasket, Air Cleaner |
| 9 | 185-3722 | 1 | Label, Choke |
| 10 | 185-3697 | 2 | Nut |
| 11 | 185-3713 | 1 | Carburetor Assy |
| 12 | 185-3672 | 2 | Gasket, Carburetor |
| 13 | 185-3673 | 1 | Flange, Carburetor |
| 14 | 185-3696 | 2 | Stud |
| 15 | 185-3719 | 1 | Rod, Choke |
| 16 | 185-3519 | 1 | Cushion, Choke Rod |

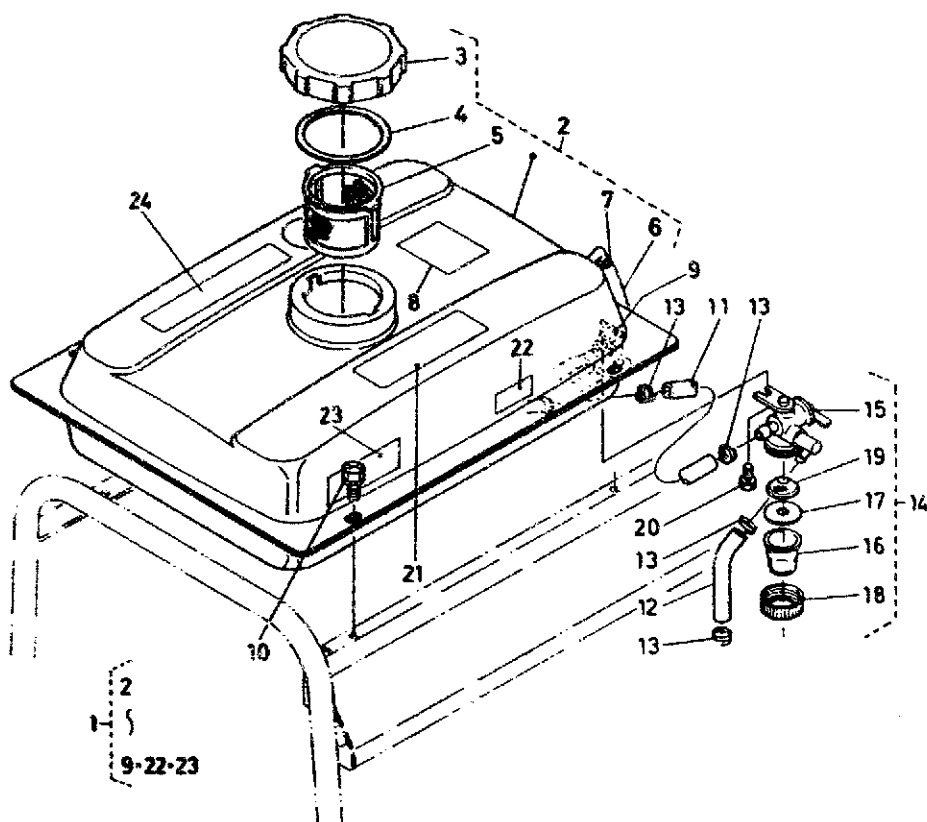
Muffler



| Ref. No. | Part No. | Qty. Used | Part Description |
|----------|----------|-----------|-----------------------|
| 1 | 185-3723 | 1 | Muffler |
| 2 | 185-3637 | 1 | Gasket, Muffler |
| 3 | 185-3384 | 2 | Stud |
| 4 | 185-3697 | 2 | Nut |
| 5 | 185-3710 | 1 | Cover, Muffler Flange |
| 6 | 185-3013 | 1 | Bolt |
| 7 | 185-3711 | 1 | Stay, Muffler |
| 8 | 185-3009 | 1 | Bolt |

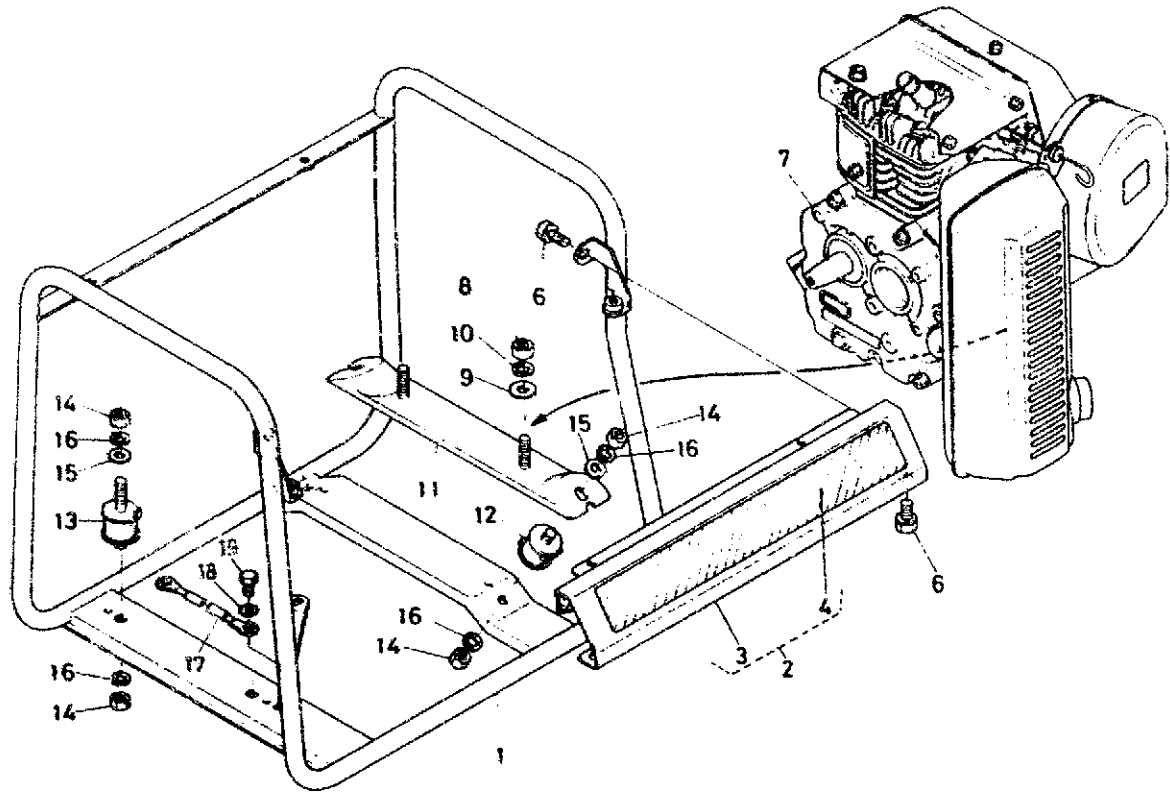


Fuel Tank



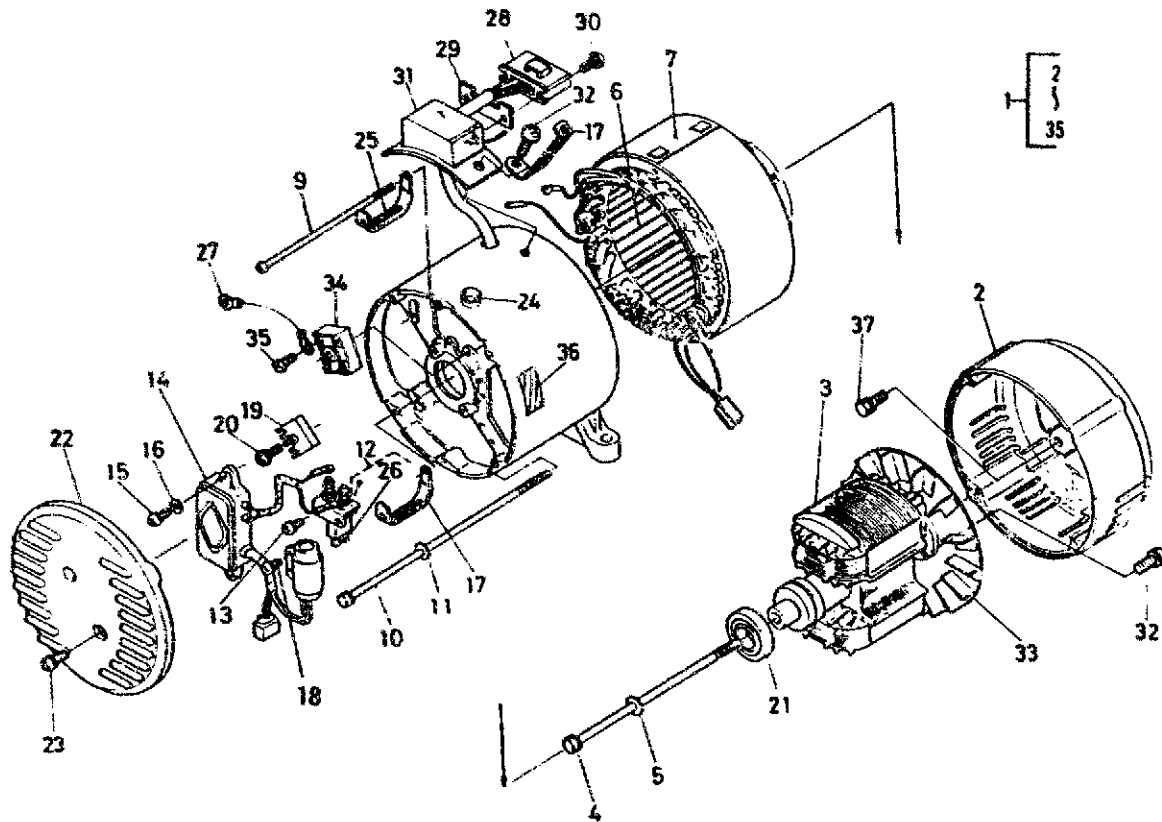
| Ref. No. | Part No. | Qty. Used | Part Description |
|----------|----------|-----------|--------------------|
| 1 | 185-3178 | 1 | Tank Assy, Fuel |
| 2 | 185-3178 | 1 | Tank, Fuel |
| 3 | 185-3590 | 1 | Cap, Fuel Tank |
| 4 | 185-3591 | 1 | Gasket |
| 5 | 185-3592 | 1 | Filter |
| 6 | 185-3593 | 1 | Gauge, Oil |
| 7 | 185-3594 | 2 | Clip |
| 8 | 185-3937 | 1 | Label, Caution |
| 9 | 185-4067 | 1 | Label, Fuel |
| 10 | 185-3503 | 4 | Bolt |
| 11 | 185-4135 | 1 | Pipe, Fuel 1 |
| 12 | 185-4135 | 1 | Pipe, Fuel 2 |
| 13 | 185-3372 | 4 | Clip, Fuel Pipe |
| 14 | 185-3597 | 1 | Filter Assy, Fuel |
| 15 | 185-3598 | 1 | Body Assy, Fuel |
| 16 | 185-3661 | 1 | Pot, Filter |
| 17 | 185-3662 | 1 | Gasket |
| 18 | 185-3459 | 1 | Ring, Retainer |
| 19 | 185-3460 | 1 | Element, Filter |
| 20 | 185-3015 | 1 | Bolt |
| 21 | 185-3181 | 1 | Label, Rating Logo |
| 22 | 185-4003 | 1 | Label, Caution |
| 23 | 185-3195 | 1 | Label, Codes |
| 24 | 185-3950 | 1 | Label, Rating |

Engine Frame



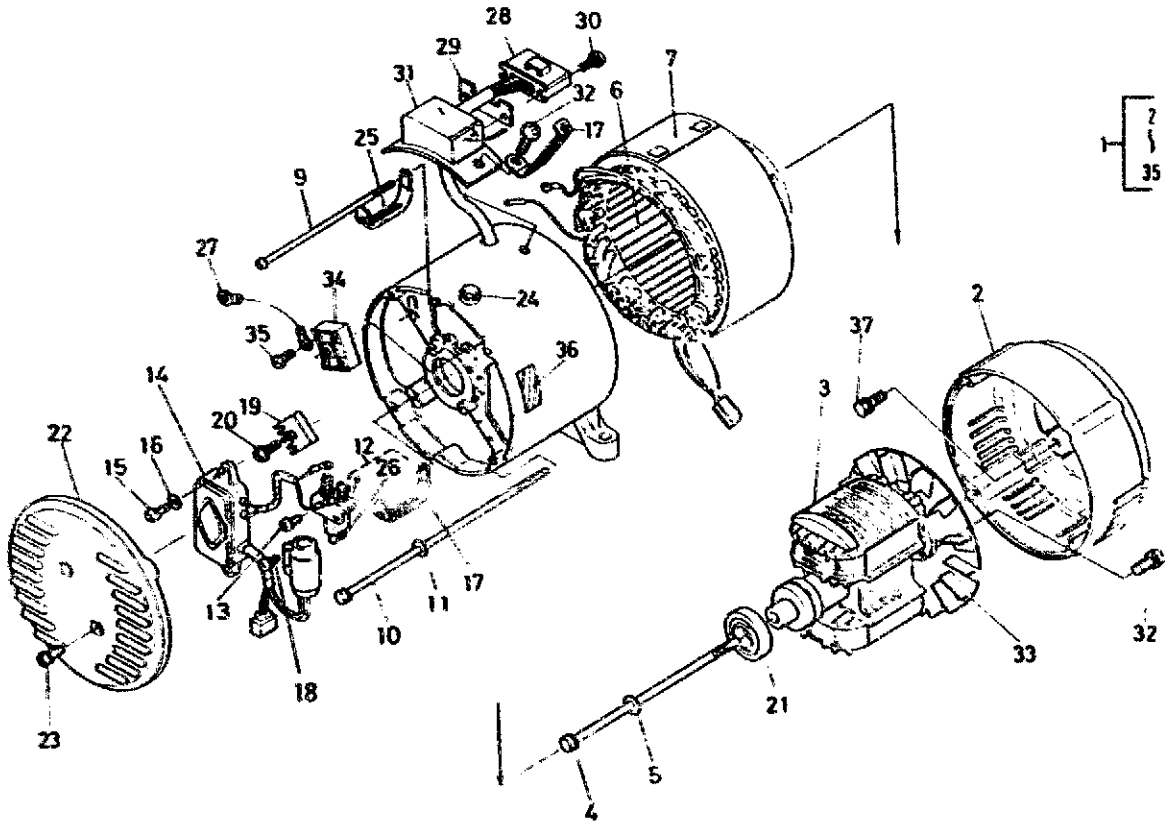
| Ref. No. | Part No. | Qty. Used | Part Description |
|----------|----------|-----------|-------------------|
| 1 | 185-3941 | 1 | Frame, Pipe |
| 2 | 185-3946 | 1 | Plate Assy, Front |
| 3 | 185-3831 | 1 | Plate, Front |
| 4 | 185-3949 | 1 | Label, Onan Logo |
| 5 | | | |
| 6 | 185-3005 | 4 | Bolt |
| 7 | 185-3176 | 1 | Engine |
| 8 | 185-2366 | 2 | Nut |
| 9 | 185-2777 | 2 | Washer, Plain |
| 10 | 185-2381 | 2 | Washer, Spring |
| 11 | 185-3942 | 1 | Base, Engine |
| 12 | 185-3832 | 2 | Cushion 1 |
| 13 | 185-3833 | 2 | Cushion 2 |
| 14 | 185-2366 | 8 | Nut |
| 15 | 185-2777 | 3 | Washer, Plain |
| 16 | 185-2381 | 7 | Washer, Spring |
| 17 | 185-4071 | 1 | Cord, Bonding |
| 18 | 185-4072 | 2 | Washer |
| 19 | 185-3004 | 1 | Bolt |

Generator



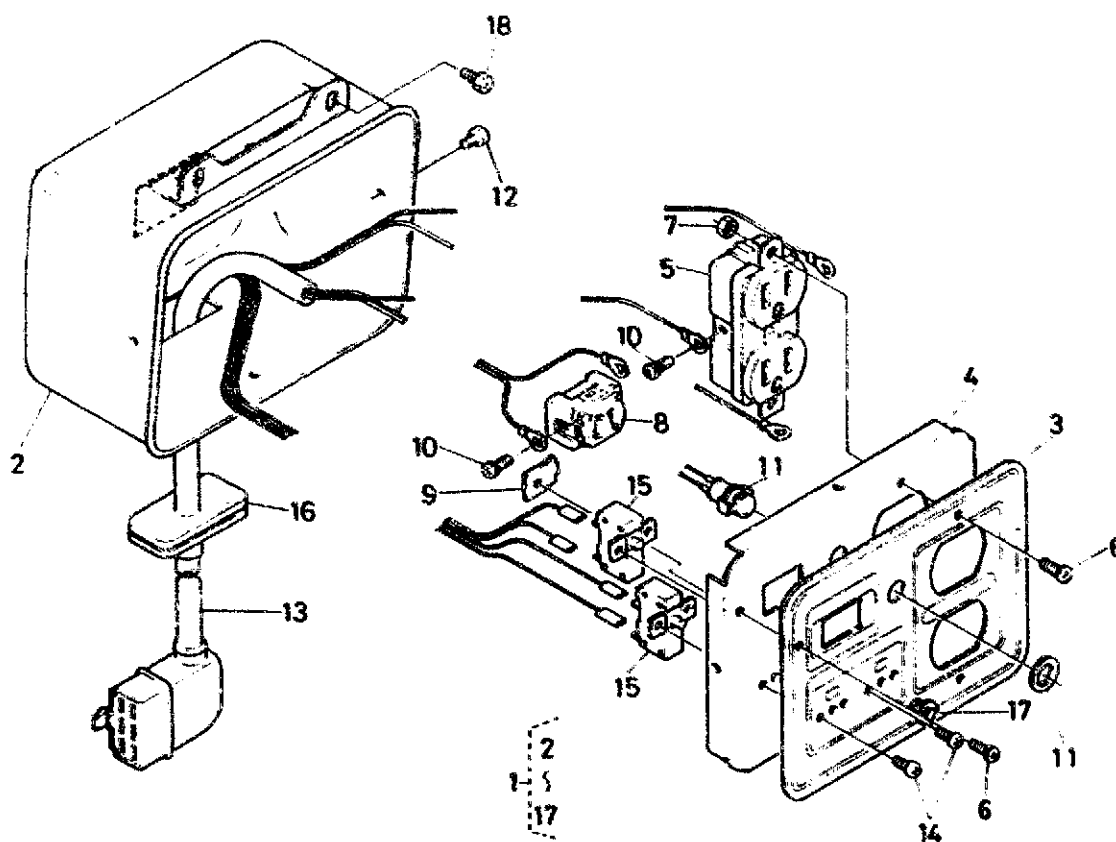
| Ref. No. | Part No. | Qty. Used | Part Description |
|----------|----------|-----------|--------------------|
| 1 | 185-3947 | 1 | Generator Assy |
| 2 | 185-3840 | 1 | Bracket, Front |
| 3 | 185-3834 | 1 | Rotor Assy |
| 4 | 185-3836 | 1 | Bolt, Center |
| 5 | 185-2777 | 1 | Washer, Plain |
| 6 | 185-3948 | 1 | Stator Assy |
| 7 | 185-3943 | 1 | Cover, Band |
| 8 | 185-3945 | 1 | Bracket, Rear |
| 9 | 185-3855 | 2 | Screw |
| 10 | 185-3851 | 4 | Bolt |
| 11 | 185-2376 | 4 | Washer, Plain |
| 12 | 185-3843 | 1 | Holder Assy, Brush |
| 13 | 185-2385 | 2 | Screw (20 mm) |
| 13 | 185-2384 | 2 | Screw (10 mm) |
| 14 | 185-3845 | 1 | Control Assy |
| 15 | 185-3052 | 2 | Screw |
| 16 | 185-3067 | 2 | Washer, Plain |
| 17 | 185-3846 | 2 | Plate |
| 18 | 185-3053 | 3 | Screw |
| 19 | 185-3920 | 1 | Diode Assy |
| 20 | 185-3054 | 1 | Screw |

Generator



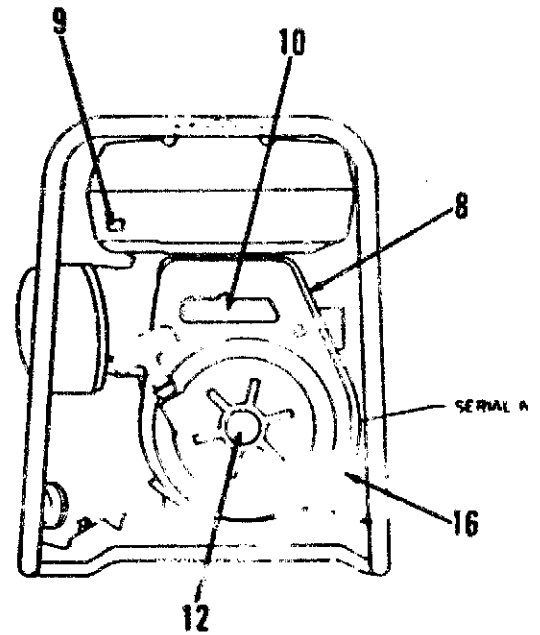
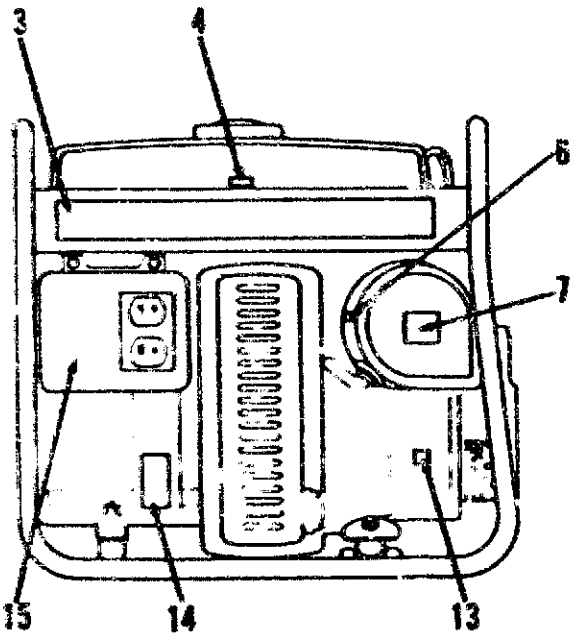
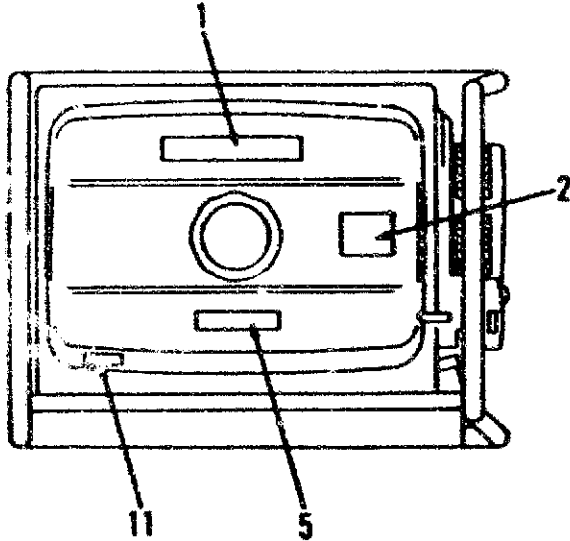
| Ref. No. | Part No. | Qty. Used | Part Description |
|----------|----------|-----------|------------------|
| 21 | 185-3099 | 1 | Bearing, Ball |
| 22 | 185-3944 | 1 | Cover, Cleaner |
| 23 | 185-3852 | 2 | Bolt |
| 24 | 185-4070 | 1 | Bushing, Rubber |
| 25 | 185-4010 | 1 | Plate |
| 26 | 185-3844 | 2 | Brush |
| 27 | 185-4008 | 1 | Cord, W-terminal |
| 28 | 185-3923 | 1 | Coupler |
| 29 | 185-3922 | 1 | Plate |
| 30 | 185-3994 | 2 | Screw |
| 31 | 185-3919 | 1 | Cover |
| 32 | 185-2385 | 6 | Screw (20 mm) |
| 33 | 185-2384 | 6 | Screw (10 mm) |
| 33 | 185-3835 | 1 | Fan |
| 34 | 185-3706 | 1 | Terminal Assy |
| 35 | 185-3205 | 4 | Screw |
| 36 | 185-3961 | 1 | Label, Oil |
| 37 | 185-2402 | 4 | Bolt |

Control



| Ref. No. | Part No. | Qty. Used | Part Description |
|----------|----------|-----------|----------------------|
| 1 | NFS | 1 | Box Assy, Control |
| 2 | 185-3986 | 1 | Box, Control |
| 3 | 185-3867 | 1 | Panel |
| 4 | 185-3988 | 1 | Plate, Panel |
| 5 | 185-3865 | 1 | Receptacle (AC) |
| 6 | 185-3044 | 3 | Screw |
| 7 | 185-3989 | 2 | Nut |
| 8 | 185-3921 | 1 | Receptacle (DC) |
| 9 | 185-3849 | 1 | Plate, S |
| 10 | 185-3045 | 5 | Screw |
| 11 | 185-4033 | 1 | Lamp Assy |
| 12 | 185-3852 | 4 | Bolt |
| 13 | 185-3990 | 1 | Harness Assy, Wire |
| 14 | 185-3994 | 4 | Screw |
| 15 | 185-3952 | 2 | Circuit Breaker, 10A |
| 16 | 185-3848 | 1 | Bushing, Rubber |
| 17 | 185-4052 | 1 | Terminal Assy, Earth |
| 18 | 185-3014 | 3 | Bolt |
| | 185-4080 | 1 | Cord Assy, DC |

Labels



| Ref. No. | Part No. | Qty. Used | Part Description |
|----------|----------|-----------|----------------------|
| 1 | 185-3950 | 1 | Label, Rating |
| 2 | 185-3937 | 1 | Label, Caution |
| 3 | 185-3949 | 1 | Label, Power Express |
| 4 | 185-4003 | 1 | Label, Caution |
| 5 | 185-3181 | 1 | Label, Rating Logo |
| 6 | 185-3722 | 1 | Label, Choke |
| 7 | 185-3607 | 1 | Label, Air Cleaner |
| 8 | 185-3720 | 1 | Label, Oil Watch |
| 9 | 185-4067 | 1 | Label, Fuel |
| 10 | 185-3725 | 1 | Label, Onan Logo |
| 11 | 185-3195 | 1 | Label, Codes |
| 12 | 185-3960 | 1 | Label, Ignition |
| 13 | 185-3199 | 1 | Label, Speed Adjust |
| 14 | 185-3961 | 1 | Label, Oil Level |
| 15 | 185-3988 | 1 | Label, Cont Panel |
| 16 | 185-4057 | 1 | Label, Mfg |

Miscellaneous

| Ref. No. | Part No. | Qty. Used | Part Description |
|----------|----------|-----------|------------------|
| 1 | 185-4121 | 1 | Gasket Set |
| 2 | 525-0491 | 1 | Paint (Grey) |
| 3 | 525-0305 | 1 | Paint (Green) |

Onan Corporation
A Subsidiary of
McGraw-Edison Company
1400 73rd Avenue N.E.
Minneapolis, MN 55432

612 574-5000
Telex 29 0476 (U.S.)
Telex 29 0856 (outside U.S.)
TWX 910 576-2833
Cable ONAN