

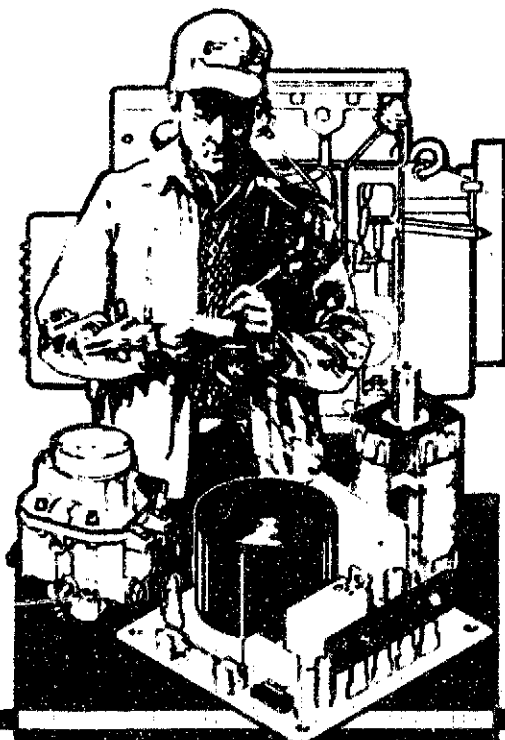
PROPERTY  
OF  
SERVICE PARTS  
LIBRARY  
DO NOT REMOVE

# Onan

## Parts Manual 3.5 KP GenSet

*105-3220 replacement engine*

*413*



**Onan Service Parts**

## Index

|                  |                        |                  |                        |
|------------------|------------------------|------------------|------------------------|
| 4                | Bearing, Crankshaft    | 16               | Lamp, Control          |
| 16               | Breaker, Circuit       | 7                | Lamp Assy              |
| 3                | Camshaft               | 8                | Lever, Governor        |
| 12               | Cap, Fuel Tank         | 7                | Magneto                |
| 9                | Carburetor             | 11               | Muffler                |
| 10               | Cleaner, Air           | <del>17/18</del> | Paint                  |
| 7                | Coil, Ignition         | 5                | Pipe, Breather         |
| 16               | Control                | 4                | Piston                 |
| 16               | Cord Assy, DC          | 8                | Plate Assy, Speed Ctrl |
| 4                | Crankshaft             | 2                | Plug, Drain            |
| <del>14</del>    | Diode Assy             | 2                | Plug, Oil              |
| 10               | Filter, Air            | 7                | Plug, Spark            |
| 12               | Filter, Fuel           | 17               | Plug, Twist Lock       |
| 13               | Frame                  | 6                | Pulley, Starter        |
| 5                | Gasket, Breather       | 7                | Regulator              |
| 10               | Gasket, Carburetor Mtg | 4                | Ring Assy, Piston      |
| 2                | Gasket, Crankcase      | 4                | Rod Assy, Connecting   |
| 2                | Gasket, Cylinder Head  | 6                | Rope, Start            |
| 12               | Gasket, Fuel Tank      | 14               | Rotor, Generator       |
| 2                | Gasket, Drain Plug     | 7                | Rotor, Magneto         |
| <del>17/18</del> | Gasket Set             | 2                | Solenoid               |
| 12               | Gauge, Fuel            | 6                | Starter Assy, Recoil   |
| 3                | Gear, Camshaft         | 14               | Stator                 |
| 4                | Gear, Crankshaft       | 16               | Switch, Control        |
| 3                | Gear, Governor         | 7                | Switch Assy, Stop      |
| 8                | Governor               | 12               | Tank, Fuel             |
| 2                | Guide, Valve           | 7                | Unit Assy, Oil Watch   |
| 14               | Holder Assy, Brush     | 5                | Valve, Exhaust         |
| 16               | Idler Assy, Auto       | 5                | Valve, Inlet           |
| 9                | Kit, Carb Repair       | 2                | Watch Assy, Oil        |

*13 Complete  
Engine*

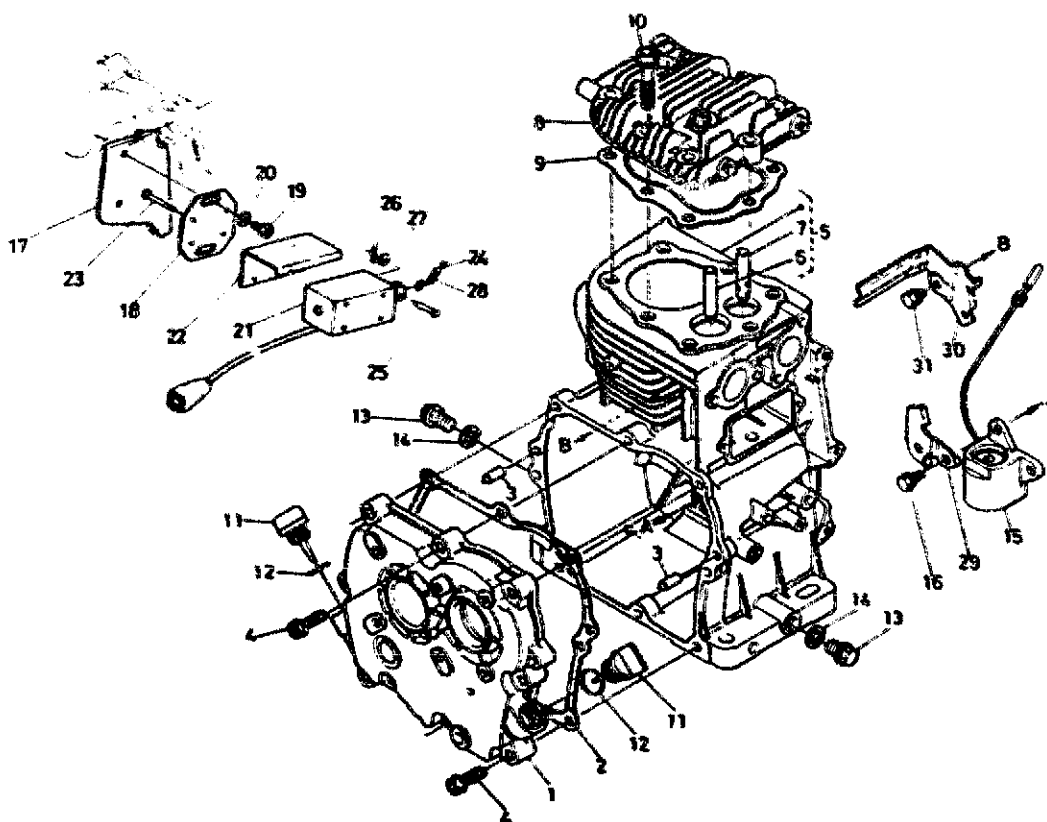
## Introduction

This catalog applies to the KP Generator Set. Parts are arranged in groups of related items and each illustrated part is identified by a reference number in the parts list. Unless otherwise mentioned in the description, parts are interchangeable between models. Parts illustrations are typical. Using the model and specification number from your generator set nameplate, select part that apply to your set. Right and left sides are determined by facing the engine end (front) of the set.

## Abbreviations

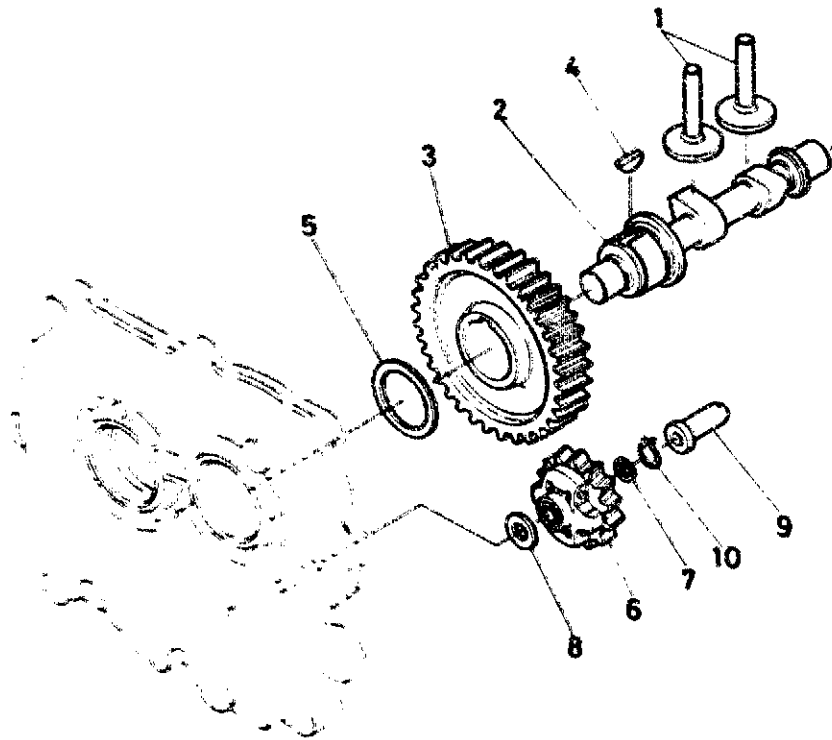
NFS - Not For Sale

## Cylinder



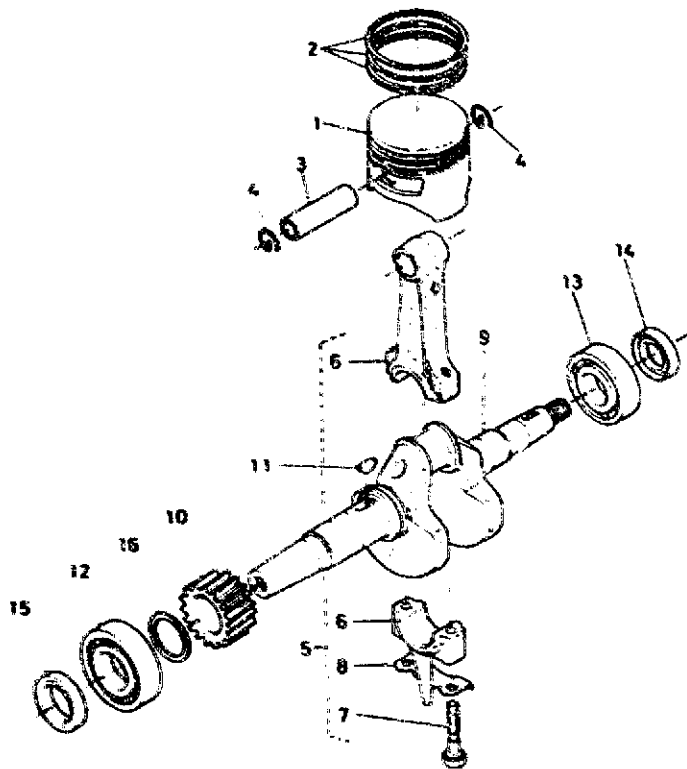
| Ref. No. | Part No. | Qty. Used | Part Description |
|----------|----------|-----------|------------------|
| 1        | 185-3804 | 1         | Crankcase        |
| 2        | 185-3734 | 1         | Gasket           |
| 3        | 185-3175 | 2         | Pin, Straight    |
| 4        | 185-3732 | 8         | Bolt             |
| 5        | 185-3221 | 1         | Cylinder         |
| 6        | 185-4113 | 1         | Guide, Valve     |
| 7        | 185-4114 | 1         | Guide, Valve     |
| 8        | 185-3735 | 1         | Head, Cylinder   |
| 9        | 185-3736 | 1         | Gasket           |
| 10       | 185-3737 | 7         | Bolt             |
| 11       | 185-3763 | 2         | Plug, Oil        |
| 12       | 185-3079 | 2         | Ring, O          |
| 13       | 185-3656 | 2         | Plug, Drain      |
| 14       | 185-3077 | 2         | Gasket           |
| 15       | 185-3224 | 1         | Watch Assy, Oil  |
| 16       | 185-2387 | 2         | Bolt             |
| 17       | 185-3227 | 1         | Stay             |
| 18       | 185-3613 | 1         | Plate            |
| 19       | 185-2387 | 2         | Bolt             |
| 20       | 185-2376 | 2         | Washer, Plain    |
| 21       | 185-3614 | 1         | Solenoid         |
| 22       | 185-3615 | 1         | Cover, Solenoid  |
| 23       | 185-3059 | 4         | Screw            |
| 24       | 185-3228 | 1         | Rod              |
| 25       | 185-3616 | 1         | Pin              |
| 26       | 185-3084 | 1         | Pin, Split       |
| 27       | 185-3063 | 1         | Washer, Plain    |
| 28       | 185-3779 | 1         | Spring           |
| 29       | 185-3225 | 1         | Clamp, Cord 1    |
| 30       | 185-3226 | 1         | Clamp, Cord 2    |
| 31       | 185-3013 | 1         | Bolt             |

## Camshaft



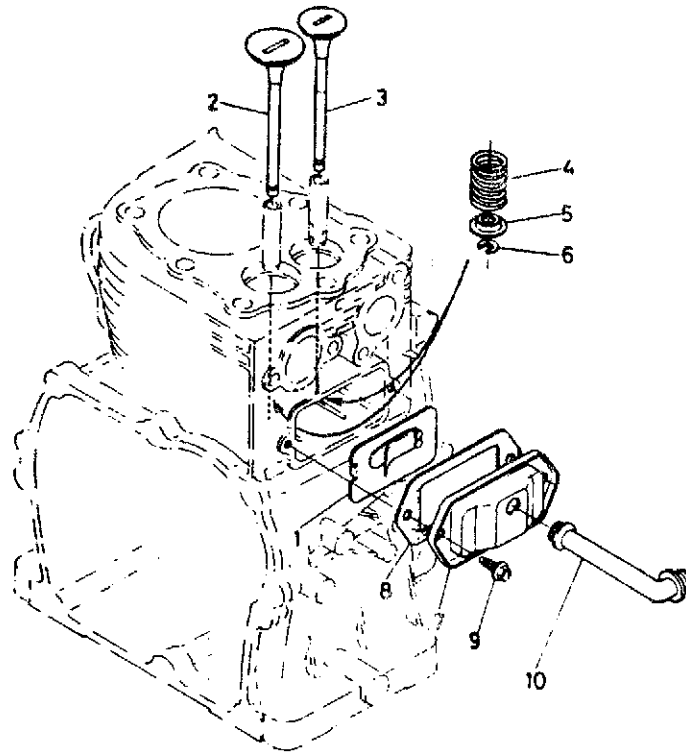
| Ref. No. | Part No. | Qty. Used | Part Description |
|----------|----------|-----------|------------------|
| 1        | 185-3750 | 2         | Tappet           |
| 2        | 185-3805 | 1         | Camshaft         |
| 3        | 185-3751 | 1         | Gear, Camshaft   |
| 4        | 185-3088 | 1         | Key, Woodruff    |
| 5        | 185-3511 | 1         | Shim 20          |
| 5        | 185-3806 | 1         | Shim 25          |
| 5        | 185-3807 | 1         | Shim 30          |
| 5        | 185-3808 | 1         | Shim 35          |
| 5        | 185-3809 | 1         | Shim 40          |
| 6        | 185-3773 | 1         | Gear, Governor   |
| 7        | 185-3484 | 1         | Washer 1         |
| 8        | 185-3485 | 1         | Washer 2         |
| 9        | 185-3774 | 1         | Sleeve, Governor |
| 10       | 185-3487 | 1         | Stopper          |

## Crankshaft



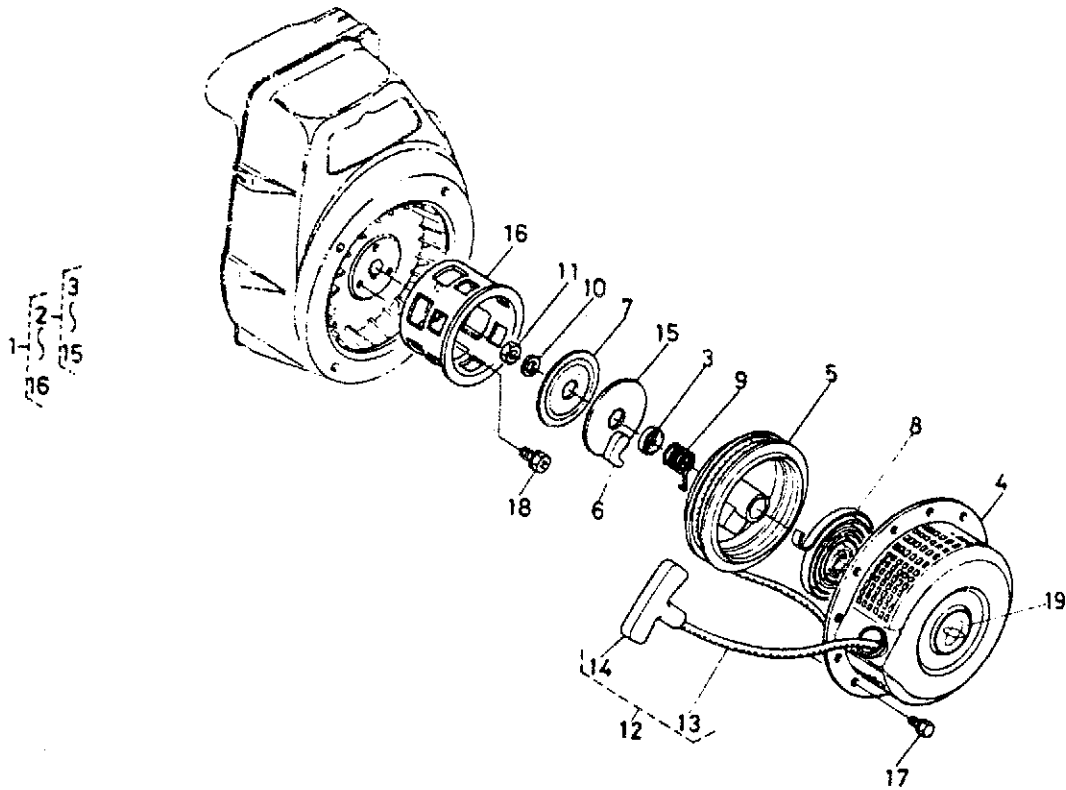
| Ref. No. | Part No. | Qty. Used | Part Description                 |
|----------|----------|-----------|----------------------------------|
| 1        | 185-3754 | 1         | Piston                           |
| 1        | 185-4097 | 1         | Piston .5 mm Oversize            |
| 2        | 185-3753 | 1         | Ring Assy, Piston                |
| 2        | 185-4098 | 1         | Ring Assy, Piston .5 mm Oversize |
| 3        | 185-3755 | 1         | Pin, Piston                      |
| 4        | 185-3756 | 1         | Cir-Clip                         |
| 5        | 185-3757 | 1         | Rod Assy, Connecting             |
| 6        | 185-3757 | 1         | Connecting Rod                   |
| 7        | 185-3759 | 2         | Bolt                             |
| 8        | 185-3760 | 1         | Washer                           |
| 9        | 185-3817 | 1         | Crankshaft                       |
| 10       | 185-3762 | 1         | Gear, Crankshaft                 |
| 11       | 185-3088 | 1         | Key, Woodruff                    |
| 12       | 185-3095 | 1         | Bearing, Ball                    |
| 13       | 185-3096 | 1         | Bearing, Ball                    |
| 14       | 185-3761 | 1         | Seal, Oil                        |
| 15       | 185-3752 | 1         | Seal, Oil                        |
| 16       | 185-3449 | 1         | Shim 20                          |
| 16       | 185-3436 | 1         | Shim 25                          |
| 16       | 185-3446 | 1         | Shim 30                          |
| 16       | 185-3437 | 1         | Shim 35                          |
| 16       | 185-3447 | 1         | Shim 40                          |

## Breather And Valves



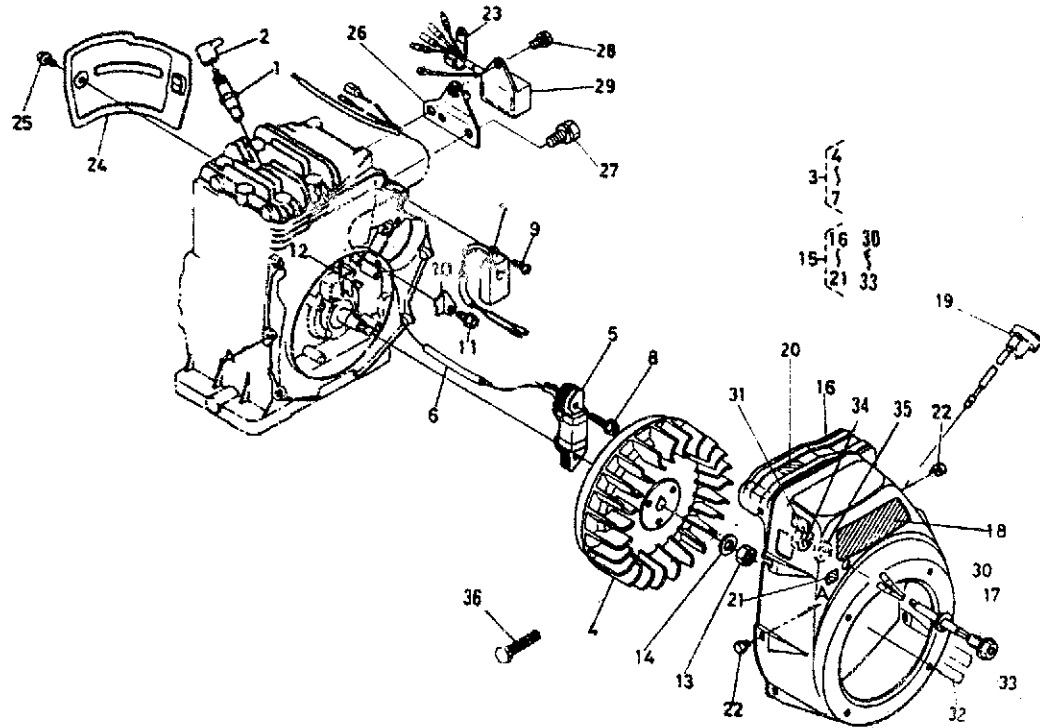
| Ref. No. | Part No. | Qty. Used | Part Description       |
|----------|----------|-----------|------------------------|
| 1        | 185-3738 | 1         | Breather               |
| 2        | 185-3744 | 1         | Valve, Inlet           |
| 3        | 185-3749 | 1         | Valve, Exhaust         |
| 4        | 185-3430 | 2         | Spring, Valve          |
| 5        | 185-3431 | 2         | Retainer, Valve Spring |
| 6        | 185-3171 | 2         | Collet, Valve Spring   |
| 7        | 185-3747 | 1         | Cover                  |
| 8        | 185-3748 | 1         | Gasket                 |
| 9        | 185-3538 | 2         | Bolt                   |
| 10       | 185-3239 | 1         | Pipe, Breather         |

## Recoil Starter



| Ref. No. | Part No. | Qty. Used | Part Description     |
|----------|----------|-----------|----------------------|
| 1        | NFS      | 1         | Starter Assy, Recoil |
| 2        | 185-3230 | 1         | Starter, Recoil      |
| 3        | 185-3793 | 1         | Cover, Spring        |
| 4        | 185-3231 | 1         | Case, Recoil Start   |
| 5        | 185-3787 | 1         | Plate, Reel          |
| 6        | 185-3810 | 1         | Claw                 |
| 7        | 185-3789 | 1         | Plate                |
| 8        | 185-3788 | 1         | Spring               |
| 9        | 185-3811 | 1         | Spring               |
| 10       | 185-2381 | 1         | Washer, Spring       |
| 11       | 185-3033 | 1         | Nut                  |
| 12       | 185-3786 | 1         | Rope Assy, Start     |
| 13       | 185-3790 | 1         | Rope, Start          |
| 14       | 185-3786 | 1         | Knob                 |
| 15       | 185-3792 | 1         | Plate                |
| 16       | 185-3794 | 1         | Pulley, Start        |
| 17       | 185-3013 | 4         | Bolt                 |
| 18       | 185-3009 | 3         | Bolt                 |
| 19       | 185-3960 | 1         | Label, Ignition      |

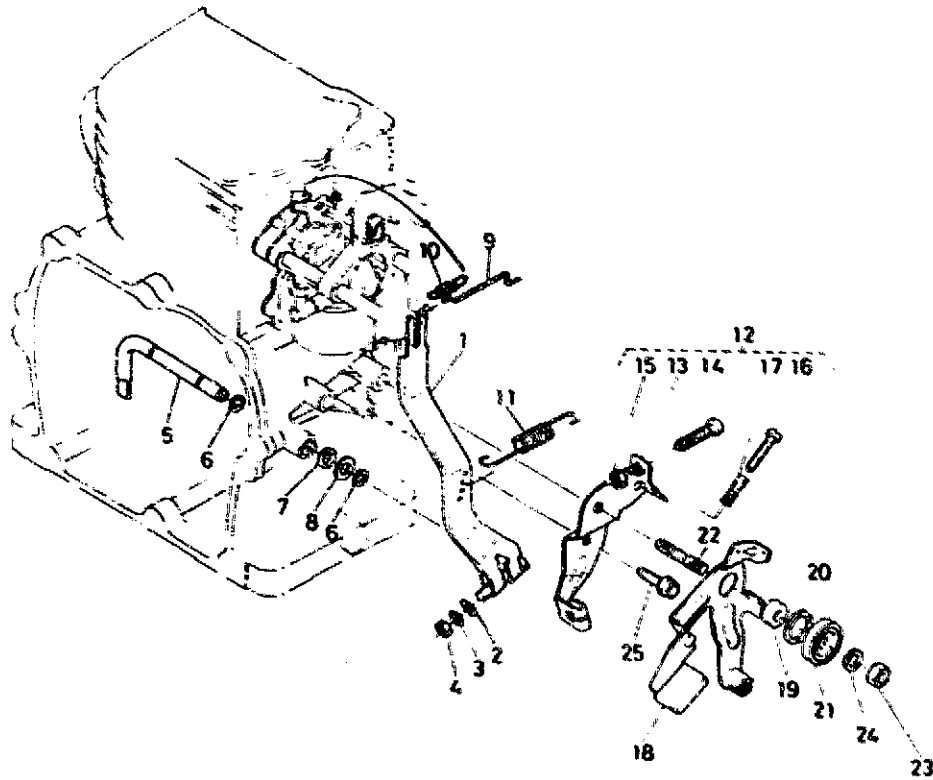
## Magneto



| Ref. No. | Part No. | Qty. Used | Part Description     |
|----------|----------|-----------|----------------------|
| 1        | 185-3824 | 1         | Plug, Spark          |
| 2        | 185-3729 | 1         | Cap, Spark Plug      |
| 3        | NFS      | 1         | Magneto Assy         |
| 4        | 185-3812 | 1         | Rotor                |
| 5        | 185-3233 | 1         | Coil, Ignition       |
| 6        | 185-3236 | 1         | Tube, Vinyl          |
| 7        | 185-3796 | 1         | Regulator            |
| 8        | 185-3691 | 2         | Bolt                 |
| 9        | 185-3803 | 2         | Screw                |
| 10       | 185-3795 | 1         | Clamp, Cord          |
| 11       | 185-3692 | 1         | Bolt                 |
| 12       | 185-3088 | 1         | Key, Woodruff        |
| 13       | 185-3032 | 1         | Nut                  |
| 14       | 185-3062 | 1         | Washer, Plain        |
| 15       | 185-3237 | 1         | Case Assy, Spiral    |
| 16       | 185-3237 | 1         | Case, Spiral         |
| 17       | 185-3186 | 1         | Lamp Assy            |
| 18       | 185-3725 | 1         | Label, Tagalong Logo |
| 19       | 185-3107 | 1         | Switch Assy, Stop    |
| 20       | 185-4005 | 1         | Label, Caution       |
| 21       | 185-3720 | 1         | Label, Oil Watch     |
| 22       | 185-3503 | 6         | Bolt                 |
| 23       | 185-3797 | 1         | Clamp, Pipe          |
| 24       | 185-3798 | 1         | Cowling, Cylinder    |
| 25       | 185-3692 | 1         | Bolt                 |
| 26       | 185-3235 | 1         | Stay, Unit           |
| 27       | 185-3009 | 2         | Bolt                 |
| 28       | 185-2387 | 1         | Bolt                 |
| 29       | 185-3234 | 1         | Unit Assy, Oil Watch |
| 30       | 185-3075 | 1         | Gasket               |
| 31       | 185-4003 | 1         | Label, Caution       |
| 32       | 185-4057 | 1         | Label, MFD           |
| 33       | 185-3540 | 1         | Label                |
| 34       | 185-3035 | 1         | Nut                  |
| 35       | 185-4069 | 1         | Washer               |
| 36       | 185-3695 | 2         | Bolt                 |

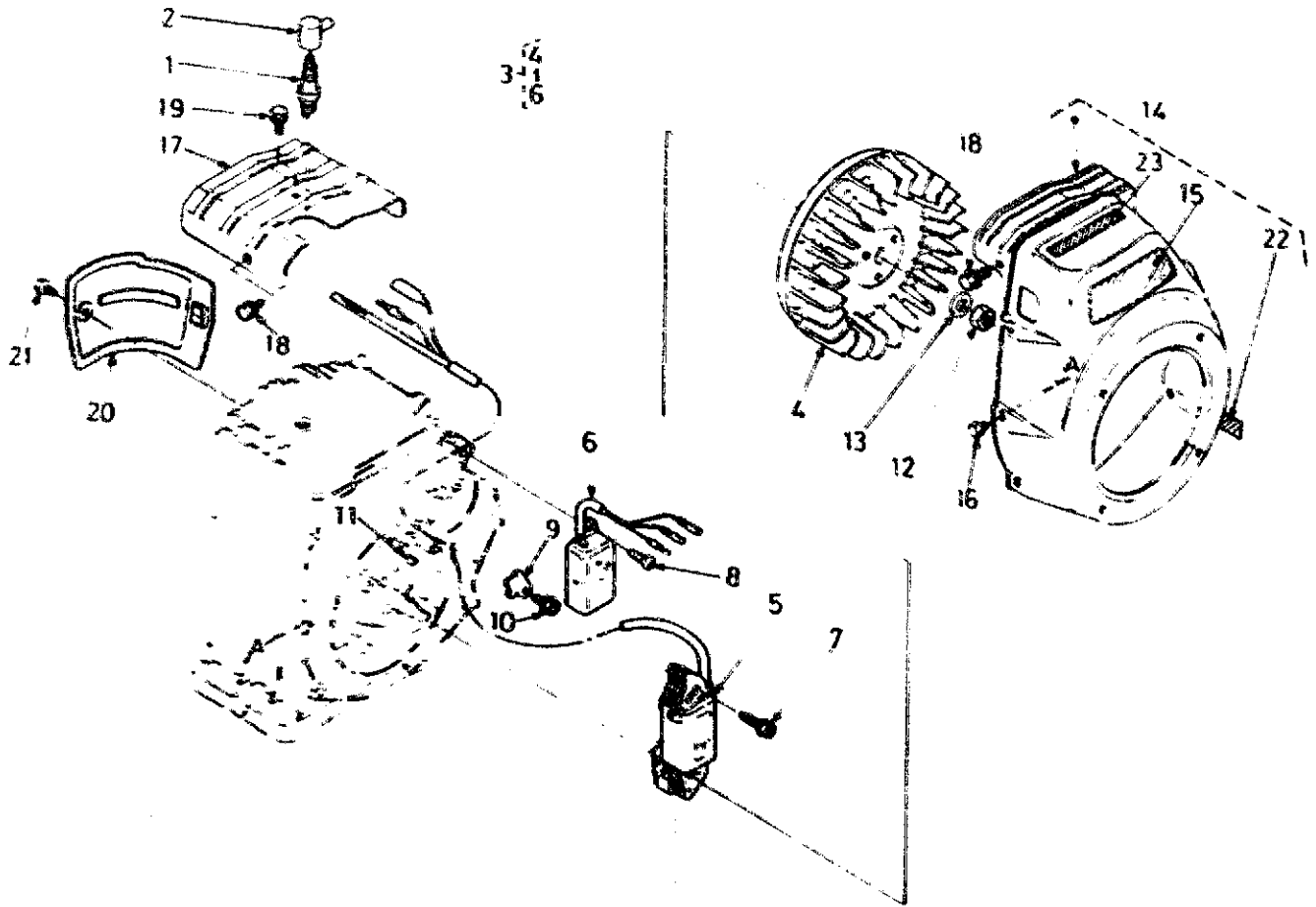


# Governor



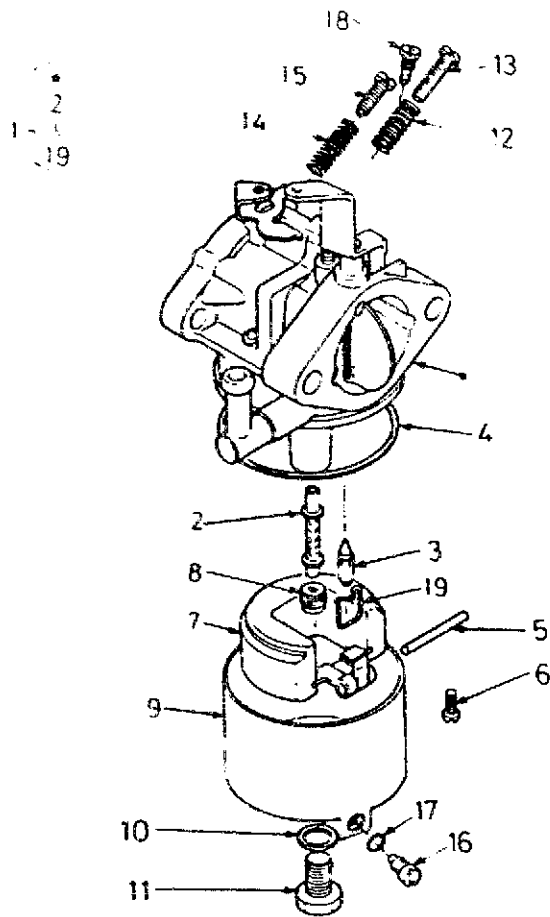
| Ref. No. | Part No. | Qty. Used | Part Description          |
|----------|----------|-----------|---------------------------|
| 1        | 185-3775 | 1         | Lever, Governor           |
| 2        | 185-2777 | 1         | Washer, Plain             |
| 3        | 185-2381 | 1         | Washer, Spring            |
| 4        | 185-2366 | 1         | Nut                       |
| 5        | 185-3776 | 1         | Shaft, Governor Lever     |
| 6        | 185-3074 | 2         | Cir-Clip, External        |
| 7        | 185-3491 | 1         | Gasket                    |
| 8        | 185-2777 | 1         | Washer, Plain             |
| 9        | 185-3777 | 1         | Rod                       |
| 10       | 185-3778 | 1         | Spring                    |
| 11       | 185-3780 | 1         | Spring                    |
| 12       | 185-3823 | 1         | Plate Assy, Speed Control |
| 13       | 185-3823 | 1         | Plate, Speed Control      |
| 14       | 185-3385 | 1         | Screw                     |
| 15       | 185-3026 | 1         | Nut                       |
| 16       | 185-3387 | 1         | Screw                     |
| 17       | 185-3496 | 1         | Spring                    |
| 18       | 185-3781 | 1         | Lever                     |
| 19       | 185-3783 | 1         | Collar                    |
| 20       | 185-3784 | 1         | Washer, Lock              |
| 21       | 185-3785 | 1         | Plate, Pressure           |
| 22       | 185-3801 | 1         | Stud                      |
| 23       | 185-2366 | 1         | Nut                       |
| 24       | 185-2381 | 1         | Washer, Spring            |
| 25       | 185-3692 | 1         | Bolt                      |

# Magneto



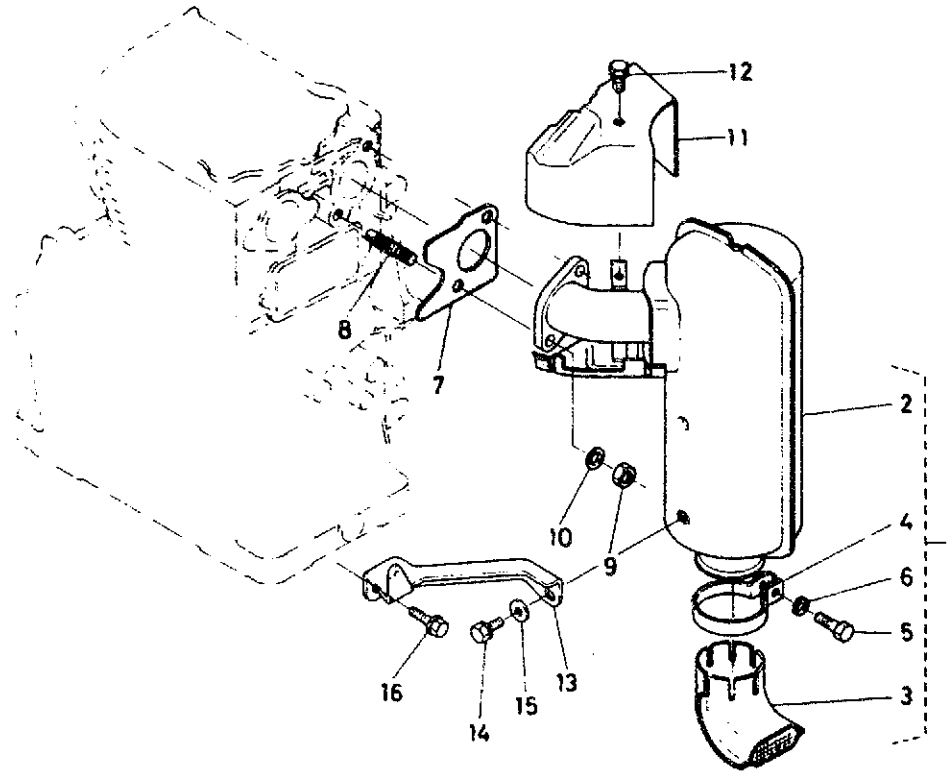
| Ref. No. | Part No. | Qty. Used | Part Description   |
|----------|----------|-----------|--------------------|
| 1        | 185-4540 | 1         | Spark Plug         |
| 2        | 185-3729 | 1         | Cap.Spark Plug     |
| 3        | 185-4646 | 1         | Assy Magneto       |
| 4        | 185-4658 | 1         | Comp.Rotor         |
| 5        | 185-4647 | 1         | Comp.Coil.Ignition |
| 6        | 185-4648 | 1         | Comp.Unit          |
| 7        | 185-3691 | 2         | Bolt               |
| 8        | 185-4761 | 2         | Screw              |
| 9        | 185-3795 | 1         | Clamp.Cord         |
| 10       | 185-3692 | 1         | Bolt               |
| 11       | 185-3088 | 1         | Key.Woodruff       |
| 12       | 185-3032 | 1         | Nut                |
| 13       | 185-3062 | 1         | Washer.Plain       |
| 14       | 185-5035 | 1         | Assy Case.Spiral   |
| 15       | 185-4990 | 1         | Label.Onan         |
| 16       | 185-3503 | 6         | Bolt               |
| 17       | 185-4650 | 1         | Cover.Wind Guide   |
| 18       | 185-4671 | 4         | Bolt               |
| 19       | 185-3013 | 1         | Bolt               |
| 20       | 185-4657 | 1         | Cowling.Cylinder   |
| 21       | 185-3692 | 1         | Bolt               |
| 22       | 185-4057 | 1         | Label.Japan        |
| 23       | 185-4473 | 1         | Label.Caution      |

## Carburettor



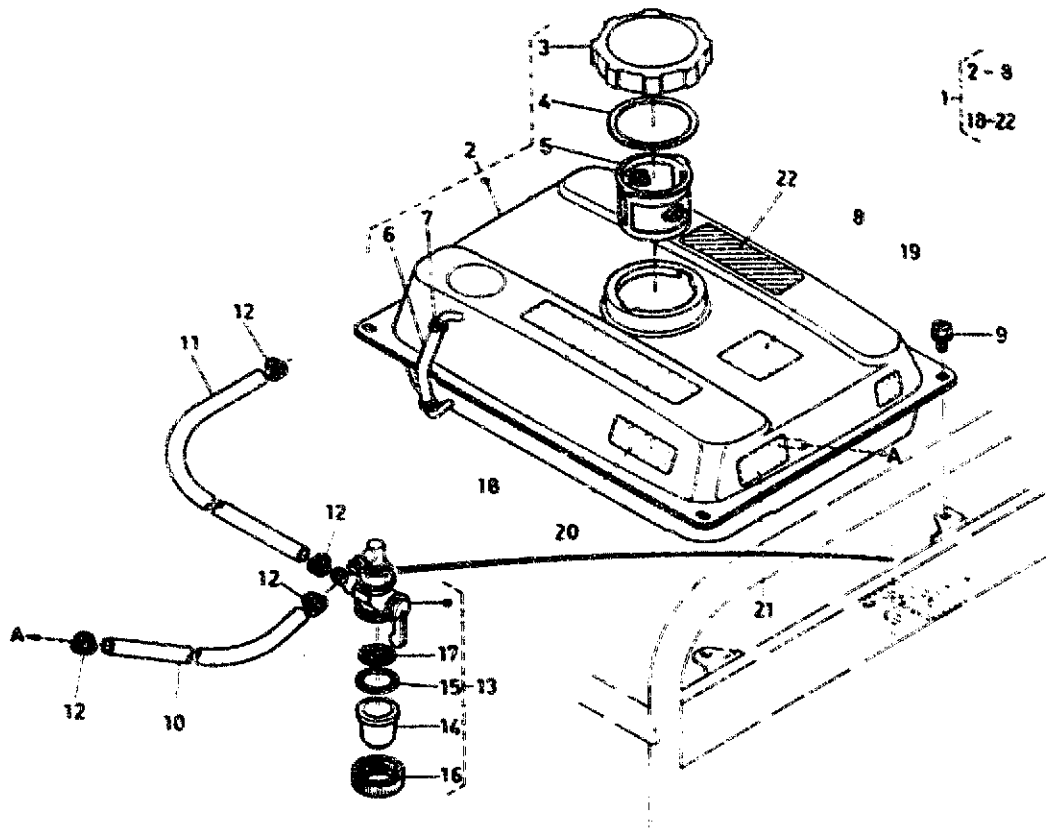
| Ref. No. | Part No. | Qty. Used | Part Description |
|----------|----------|-----------|------------------|
| 1        | 185-4628 | 1         | Assy Carburettor |
| 2        | 185-4629 | 1         | Nozzle.Main      |
| 3        | 185-3768 | 1         | Assy Valve.Float |
| 4        | 185-3668 | 1         | Gasket           |
| 5        | 185-3669 | 1         | Pin.Arm          |
| 6        | 185-4674 | 1         | Screw.Set        |
| 7        | 185-3666 | 1         | Float            |
| 8        | 185-5036 | 1         | Main Jet         |
| 9        | 185-3667 | 1         | Chamber.Float    |
| 10       | 185-3405 | 1         | Gasket           |
| 11       | 185-4078 | 1         | Bolt             |
| 12       | 185-3403 | 1         | Spring           |
| 13       | 185-3173 | 1         | Screw.F-FIL-HD   |
| 14       | 185-3174 | 1         | Spring           |
| 15       | 185-3404 | 1         | Screw.Adjusting  |
| 16       | 185-3670 | 1         | Screw.Drain      |
| 17       | 185-3671 | 1         | O Ring           |
| 18       | 185-4630 | 1         | Pilot Jet        |
| 19       | 185-3769 | 1         | Clip             |

## Muffler



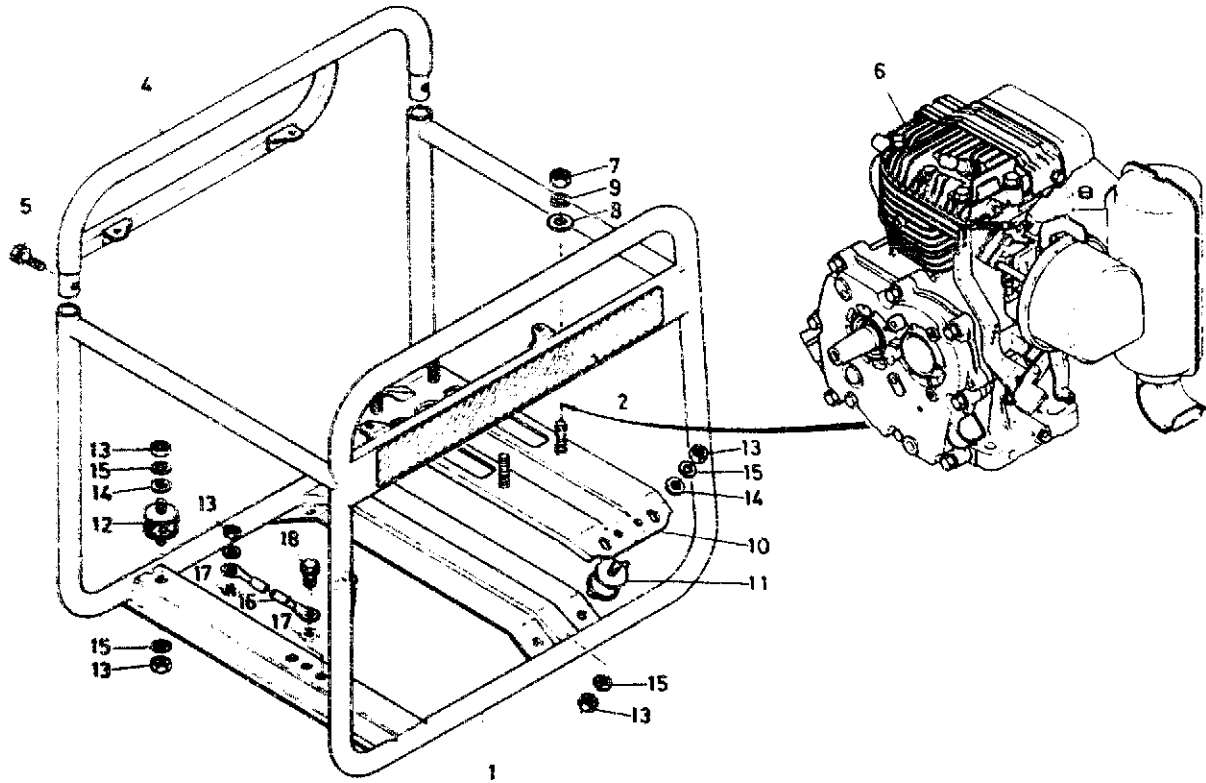
| Ref. No. | Part No. | Qty. Used | Part Description |
|----------|----------|-----------|------------------|
| 1        | 185-3222 | 1         | Muffler Assy     |
| 2        | 185-3222 | 1         | Muffler          |
| 3        | 185-3223 | 1         | Cover            |
| 4        | 185-3740 | 1         | Band             |
| 5        | 185-2391 | 1         | Bolt             |
| 6        | 185-2380 | 1         | Washer, Spring   |
| 7        | 185-3741 | 1         | Gasket           |
| 8        | 185-3799 | 2         | Stud             |
| 9        | 185-2366 | 2         | Nut              |
| 10       | 185-2381 | 2         | Washer, Spring   |
| 11       | 185-3743 | 1         | Cover, Flange    |
| 12       | 185-3013 | 1         | Bolt             |
| 13       | 185-3742 | 1         | Stay, Muffler    |
| 14       | 185-3009 | 1         | Bolt             |
| 15       | 185-2777 | 1         | Washer, Plain    |
| 16       | 185-3157 | 1         | Bolt             |

## Fuel Tank



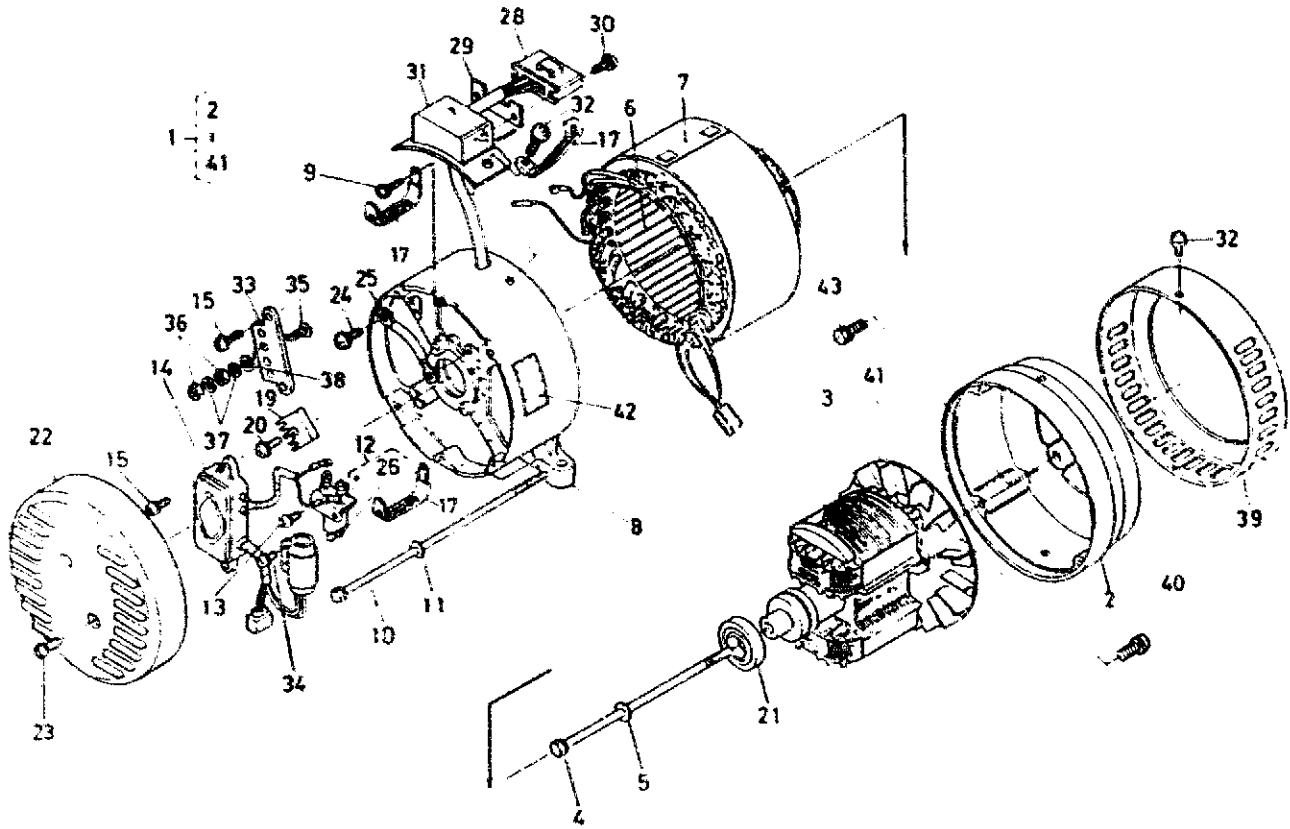
| Ref. No. | Part No. | Qty. Used | Part Description   |
|----------|----------|-----------|--------------------|
| 1        | 185-4049 | 1         | Tank Assy, Fuel    |
| 2        | 185-4049 | 1         | Tank, Fuel         |
| 3        | 185-3590 | 1         | Cap, Fuel Tank     |
| 4        | 185-3591 | 1         | Gasket             |
| 5        | 185-3592 | 1         | Filter             |
| 6        | 185-3593 | 1         | Gauge, Fuel        |
| 7        | 185-3594 | 2         | Clip               |
| 8        | 185-3937 | 1         | Label, Caution     |
| 9        | 185-3503 | 4         | Bolt               |
| 10       | 185-4135 | 1         | Pipe, Fuel 2       |
| 11       | 185-4135 | 1         | Pipe, Fuel         |
| 12       | 185-3372 | 4         | Clip, Fuel Pipe    |
| 13       | 185-3818 | 1         | Filter Assy, Fuel  |
| 14       | 185-3819 | 1         | Pot, Filter        |
| 15       | 185-3820 | 1         | Gasket             |
| 16       | 185-3822 | 1         | Ring, Retainer     |
| 17       | 185-3821 | 1         | Element, Filter    |
| 18       | 185-4045 | 1         | Label, Rating      |
| 19       | 185-4067 | 1         | Label, Fuel        |
| 20       | 185-3997 | 1         | Label, Idlermatic  |
| 21       | 185-3195 | 1         | Label, Codes       |
| 22       | 185-4000 | 1         | Label, Rating Logo |

## Engine Frame



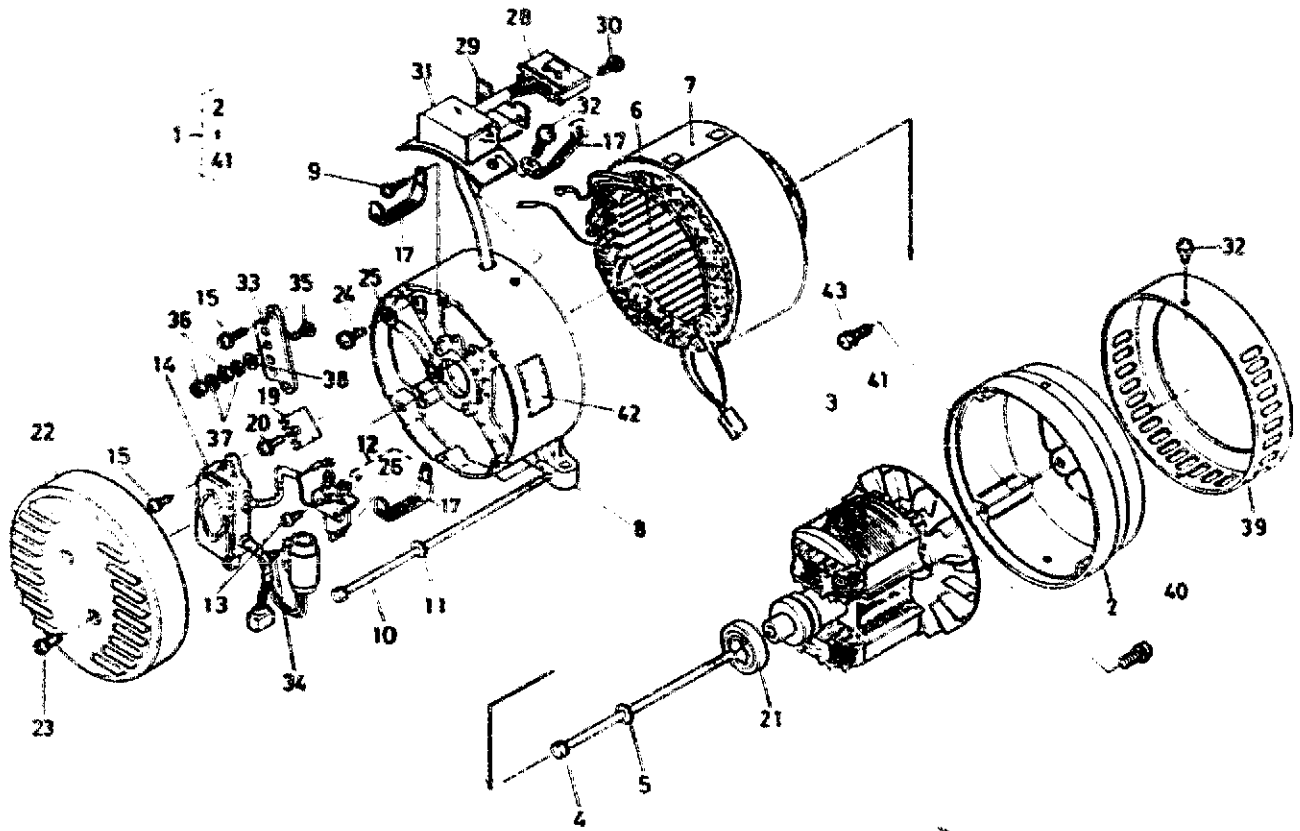
| Ref. No. | Part No. | Qty. Used | Part Description            |
|----------|----------|-----------|-----------------------------|
| 1        | 185-3996 | 1         | Frame, Pipe 1               |
| 2        | 185-3995 | 1         | Label, Onan Logo            |
| 3        |          |           | Frame, Pipe 2               |
| 4        | 185-3991 | 1         | Frame, Pipe 2               |
| 5        | 185-3007 | 2         | Bolt                        |
| 6        | 185-3220 | 1         | Engine (GS280-DG-A3-Onan-1) |
| 7        | 185-3034 | 4         | Nut                         |
| 8        | 185-3068 | 4         | Washer, Plain               |
| 9        | 185-3071 | 4         | Washer, Spring              |
| 10       | 185-3992 | 1         | Base, Engine                |
| 11       | 185-3915 | 4         | Cushion 1                   |
| 12       | 185-3839 | 2         | Cushion 2                   |
| 13       | 185-2366 | 12        | Nut                         |
| 14       | 185-2777 | 5         | Washer, Plain               |
| 15       | 185-2381 | 11        | Washer, Spring              |
| 16       | 185-4071 | 1         | Cord, Bonding               |
| 17       | 185-4072 | 2         | Washer                      |
| 18       | 185-3009 | 1         | Bolt                        |

# Generator



| Ref. No. | Part No. | Qty. Used | Part Description           |
|----------|----------|-----------|----------------------------|
| 1        | 185-3998 | 1         | Generator Assy 3764.50 (0) |
| 2        | 185-4017 | 1         | Bracket, Front             |
| 3        | 185-3916 | 1         | Rotor Assy 403.15 (3)      |
| 4        | 185-3917 | 1         | Bolt, Center               |
| 5        | 185-3068 | 1         | Washer, Plain              |
| 6        | 185-3999 | 1         | Stator Assy 537.65 (13)    |
| 7        | 185-3217 | 1         | Cover, Band                |
| 8        | 185-4022 | 1         | Bracket, Rear              |
| 9        | 185-3525 | 2         | Screw                      |
| 10       | 185-3218 | 4         | Bolt                       |
| 11       | 185-2376 | 4         | Washer, Plain              |
| 12       | 185-3843 | 1         | Holder Assy, Brush         |
| 13       | 185-2385 | 2         | Screw (20 mm)              |
| 13       | 185-2384 | 2         | Screw (10 mm)              |
| 14       | 185-3845 | 1         | Control Assy               |
| 15       | 185-3863 | 4         | Screw                      |
| 16       |          |           |                            |
| 17       | 185-3846 | 3         | Plate                      |
| 18       |          |           |                            |
| 19       | 185-3920 | 1         | Diode Assy                 |
| 20       | 185-3211 | 1         | Screw                      |
| 21       | 185-3097 | 1         | Bearing, Ball              |
| 22       | 185-4021 | 1         | Cover, Cleaner             |
| 23       | 185-3852 | 2         | Bolt                       |

## Generator

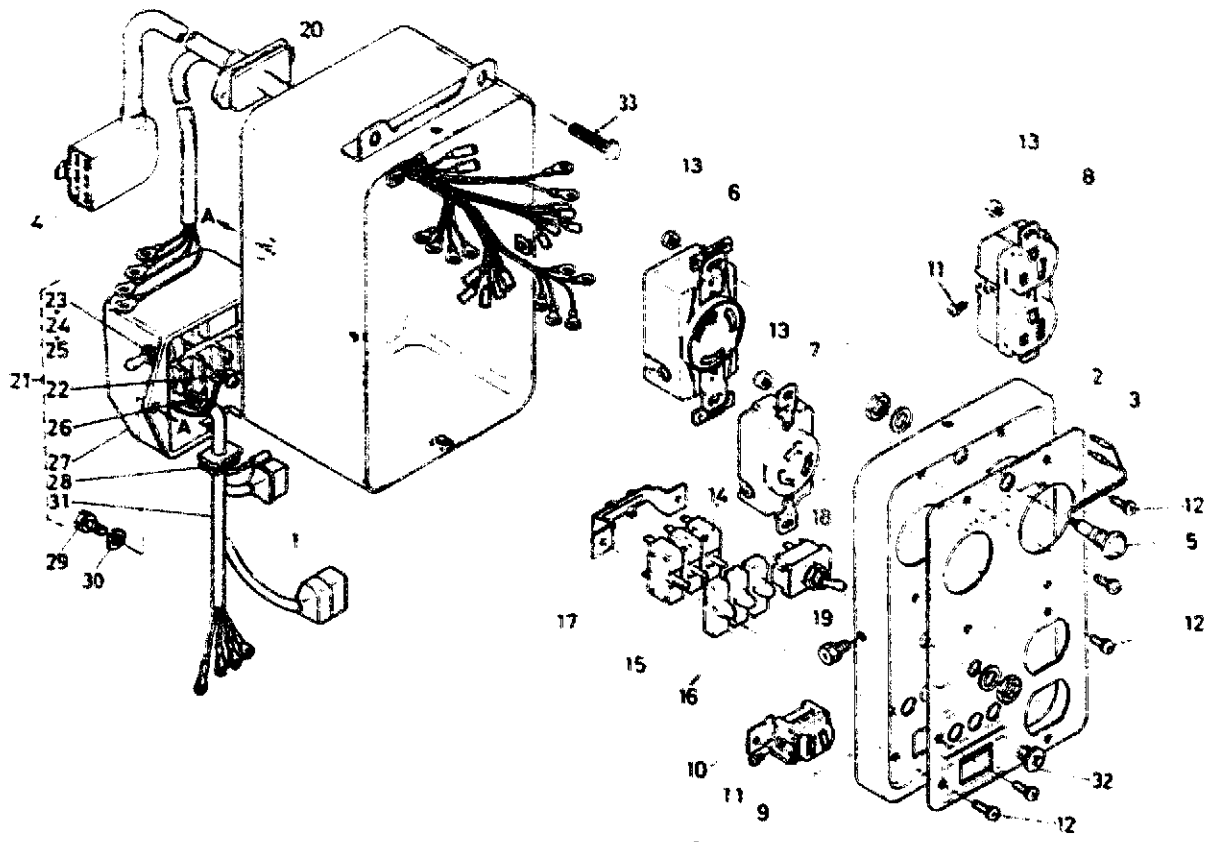


| Rel. No. | Part No. | Qty. Used | Part Description |
|----------|----------|-----------|------------------|
| 24       | 185-3153 | 1         | Screw            |
| 25       | 185-4008 | 1         | Cord, W-Terminal |
| 26       | 185-3844 | 2         | Brush            |
| 27       |          |           |                  |
| 28       | 185-3923 | 1         | Coupler          |
| 29       | 185-3922 | 1         | Plate            |
| 30       | 185-3994 | 2         | Screw            |
| 31       | 185-3919 | 1         | Cover, Coupler   |
| 32       | 185-2385 | 4         | Screw (20 mm)    |
| 32       | 185-2384 | 4         | Screw (10 mm)    |
| 33       | 185-4023 | 1         | Terminal Assy    |
| 34       | 185-3203 | 2         | Screw            |
| 35       | 185-3853 | 4         | Bolt             |
| 36       | 185-3854 | 8         | Nut              |
| 37       | 185-2379 | 8         | Washer, Spring   |
| 38       | 185-3864 | 4         | Washer, Plain    |
| 39       | 185-4019 | 1         | Cover, Fan       |
| 40       | 185-2385 | 4         | Screw (20 mm)    |
| 40       | 185-2384 | 4         | Screw (10 mm)    |
| 41       | 185-3835 | 1         | Fan              |
| 42       | 185-3961 | 1         | Label, Oil Level |
| 43       | 185-2403 | 4         | Bolt             |



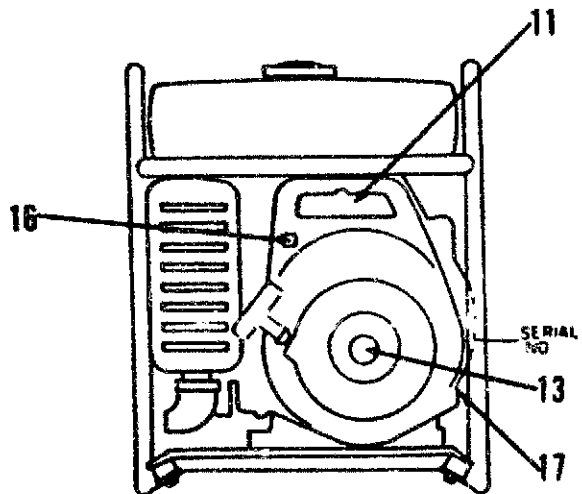
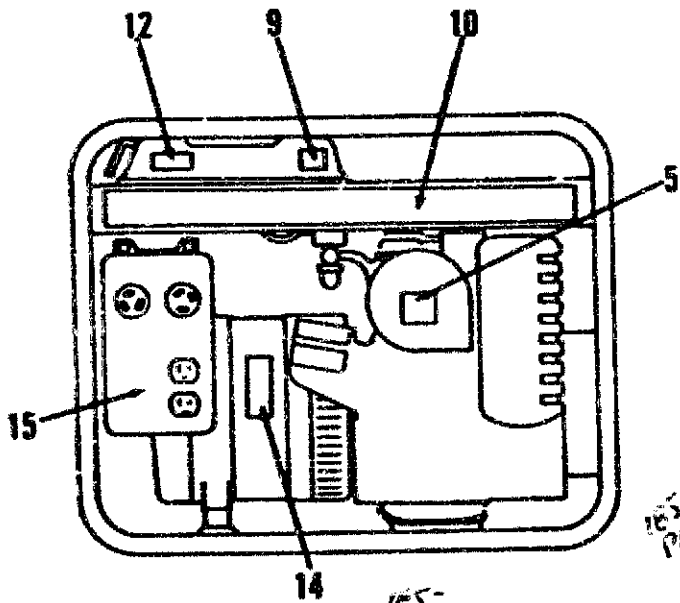
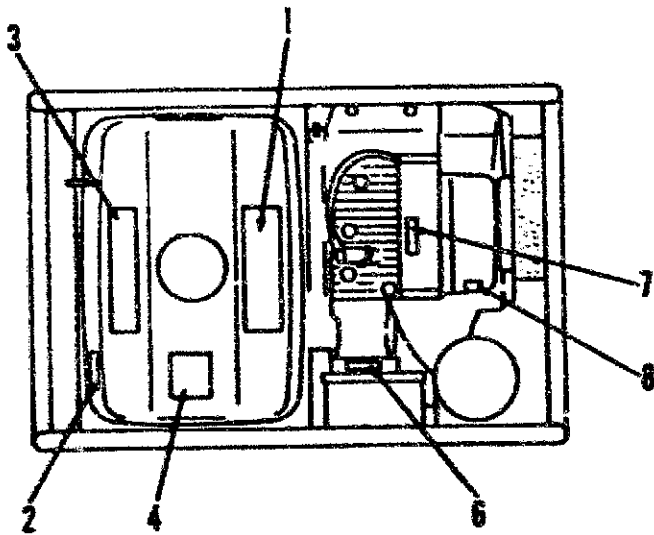
*The original design from Detroit, Mich. is shown.*

**Control**



| Ref. No. | Part No. | Qty. Used | Part Description                                    |
|----------|----------|-----------|---|
|          | NFS      | 1         | Box Assy, Control                                   |
| 1        | 185-4024 | 1         | Box, Control  |
| 2        | 185-4027 | 1         | Panel   |
| 3        | 185-4047 | 1         | Plate, Panel  |
| 4        | 185-4038 | 1         | Harness Assy, Wire (Includes Bushing)               |
| 5        | 185-4033 | 1         | Lamp Set  |
| 6        | 185-4031 | 1         | Receptacle (AC) 3P 30A                              |
| 7        | 185-4032 | 1         | Receptacle (AC) 4P 20A                              |
| 8        | 185-4025 | 1         | Receptacle (AC)                                     |
| 9        | 185-3921 | 1         | Receptacle  |
| 10       | 185-3849 | 1         | Plate, S  |
| 11       | 185-3951 | 2         | Screw   |
| 12       | 185-3044 | 9         | Screw   |
| 13       | 185-3029 | 6         | Nut   |
| 14       | 185-3971 | 2         | Circuit Breaker (AC) <i>(Pushbutton knob type -</i> |
| 15       | 185-3952 | 1         | Circuit Breaker (DC) <i>15 amp - 250V ac)</i>       |
| 16       | 185-4030 | 3         | Cap   |
| 17       | 185-4029 | 1         | Holder, U   |
| 18       | 185-4039 | 1         | Switch  |
| 19       | 185-3852 | 4         | Bolt  |
| 20       | 185-3848 | 1         | Bushing, Rubber                                     |
| 21       | 185-4037 | 1         | Idler Assy, Auto                                    |
| 22       | 185-4036 | 4         | Screw   |
| 23       | 185-4040 | 1         | Nut   |
| 24       | 185-4041 | 1         | Washer  |
| 25       | 185-4042 | 1         | Nut   |
| 26       | 185-4035 | 2         | Screw   |
| 27       | 185-4034 | 1         | Case  |
| 28       | 185-3861 | 1         | Bushing, Rubber                                     |
| 29       | 185-2387 | 2         | Bolt  |
| 30       | 185-2376 | 2         | Washer, Plain                                       |
| 31       | 185-3860 | 1         | Harness Assy, Wire 1                                |
| 32       | 185-4052 | 1         | Terminal Assy, Earth                                |
| 33       | 185-2386 | 3         | Bolt  |
|          | 185-4080 | 1         | Cord Assy, DC                                       |

## Labels



165-3340  
PAGE # 7

| Ref. No. | Part No.     | Qty. Used | Part Description     |
|----------|--------------|-----------|----------------------|
| 1        | 4000 98-5209 | 1         | Label, Rating Logo   |
| 2        | 3777 98-5200 | 1         | Label, Idlematic     |
| 3        | 4045 98-5182 | 1         | Label, Rating        |
| 4        | 3737 98-5174 | 1         | Label, Caution       |
| 5        | 3007 98-5186 | 1         | Label, Air Cleaner   |
| 6        | 4004 98-5213 | 1         | Label, Choke         |
| 7        | 4005 98-5169 | 1         | Label, Caution       |
| 8        | 4003 98-5168 | 1         | Label, Caution       |
| 9        | 4007 98-5201 | 1         | Label, Fuel          |
| 10       | 3945 98-5217 | 1         | Label, Power Express |
| 11       | 3735 98-5187 | 1         | Label, Onan Logo     |
| 12       | 3195 98-5239 | 1         | Label, Codes         |
| 13       | 3900 98-5183 | 1         | Label, Ignition      |
| 14       | 3961 98-5173 | 1         | Label, Oil Level     |
| 15       | 4017 98-5184 | 1         | Label, Cont Panel    |
| 16       | 3730 98-5176 | 1         | Label, Oil Watch     |
| 17       | 4057 98-5225 | 1         | Label, MFD           |

## Miscellaneous

| Ref. No | Part No  | Qty Used | Part Description                                   |
|---------|----------|----------|--|
| 1       | 185-4124 | 1        | Gasket Set   |
| 2       | 525-0491 | 1        | Paint (Grey)                                       |
| 3       | 525-0305 | 1        | Paint (Green)                                      |
| 4       | 323-0862 | 1        | Plug, Twist Lock (3 Wire 120V 30A) NEMA #L530P     |
| 5       | 323-0952 | 1        | Plug, Twist Lock (4 Wire 120/240 30A) NEMA #L1420P |