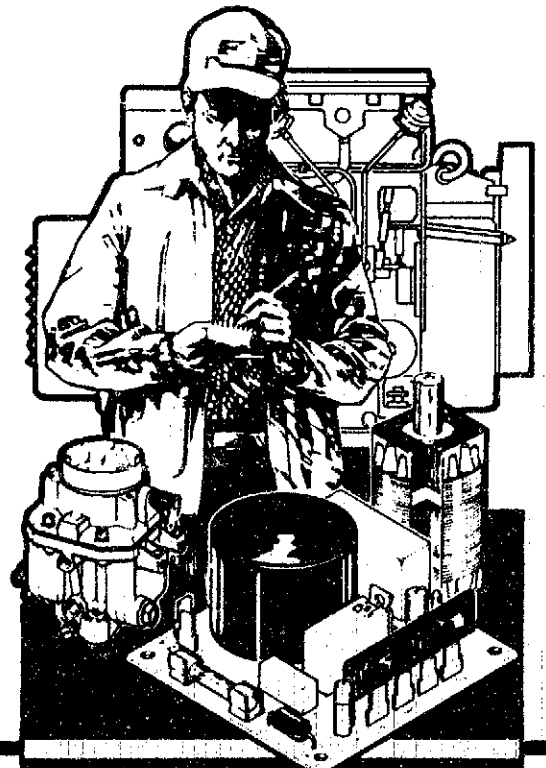


The following catalog has gaps in its page numbers, or doesn't have any numbers. We have chosen to leave the page numbering in the order that Acrobat assigns it.

Onan

Parts Manual

0.6 KF GenSet



Onan Service Parts

INDEX

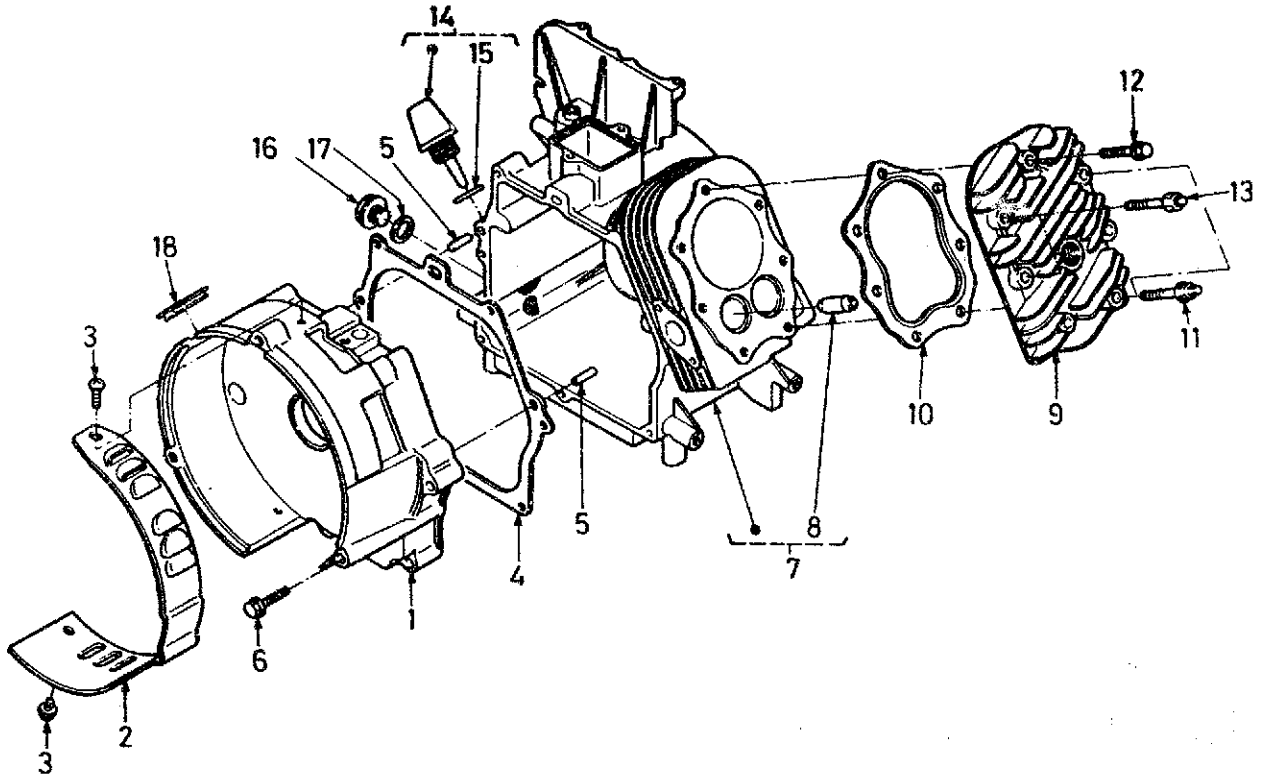
6	Bearing, Crankshaft	1	Guide, Valve
14	Breaker, Circuit	13	Holder Assy, Brush
5	Camshaft	14	Lamp, Control
15	Cap. Fuel Tank	7	Lever, Governor
11	Carburetor	9	Magneto
3	Cleaner, Air	4	Muffler
9	Coil, Ignition	2	Pipe, Breather
14	Control	6	Piston
16	Cord Assy, DC	7	Plate Assy, Speed Ctrl
6	Crankshaft	1	Plug, Drain
13	Diode Assy	1	Plug, Oil
3	Filter, Air	9	Plug, Spark
15	Filter, Fuel	8	Pulley, Starter
12	Frame	6	Ring Assy, Piston
2	Gasket, Breather	6	Rod Assy, Connecting
3	Gasket, Carburetor Mtg	8	Rope, Start
1	Gasket, Crankcase	13	Rotor, Generator
1	Gasket, Cylinder Head	9	Rotor, Magneto
15	Gasket, Fuel Tank	8	Starter Assy, Recoil
1	Gasket, Drain Plug	13	Stator, Generator
15	Gauge, Fuel	14	Switch, Control
5	Gear, Camshaft	15	Tank, Fuel
6	Gear, Crankshaft	2	Valve, Exhaust
13	Generator	2	Valve, Inlet
7	Governor	5	Watch Assy, Oil

Introduction

This catalog applies to the KF Generator Set. Parts are arranged in groups of related items and each illustrated part is identified by a reference number in the parts list. Unless otherwise mentioned in the description, parts are interchangeable between models. Parts illustrations are typical. Using the model and specification number from your generator set nameplate, select parts that apply to your set. Right and left sides are determined by facing the engine end (front) of the set.

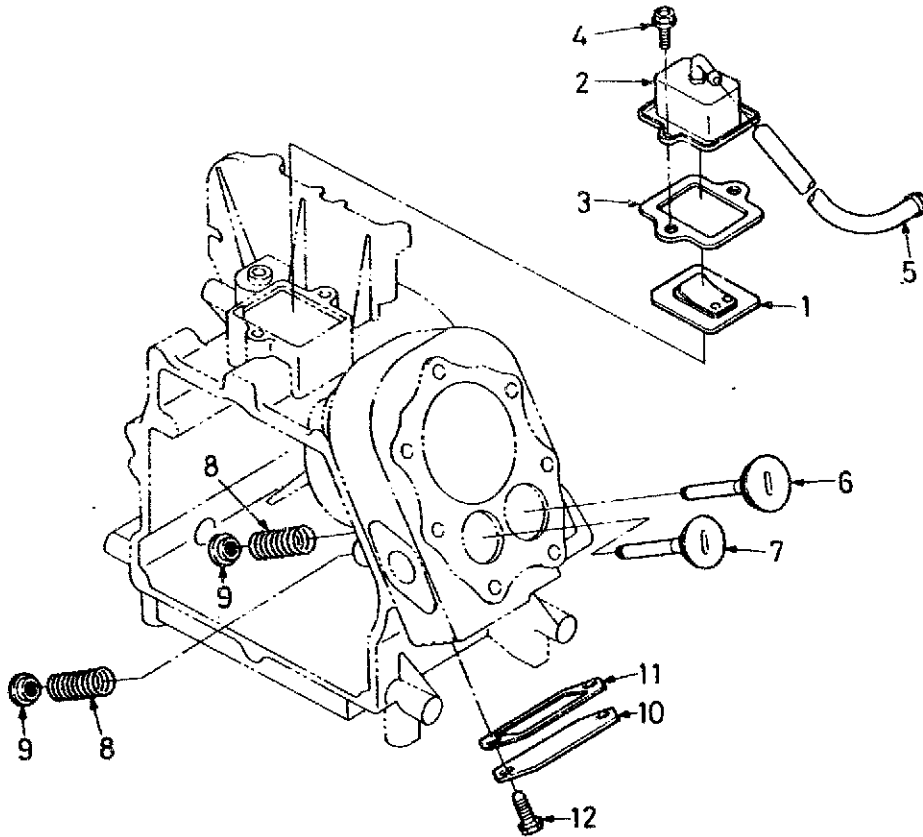


Cylinder



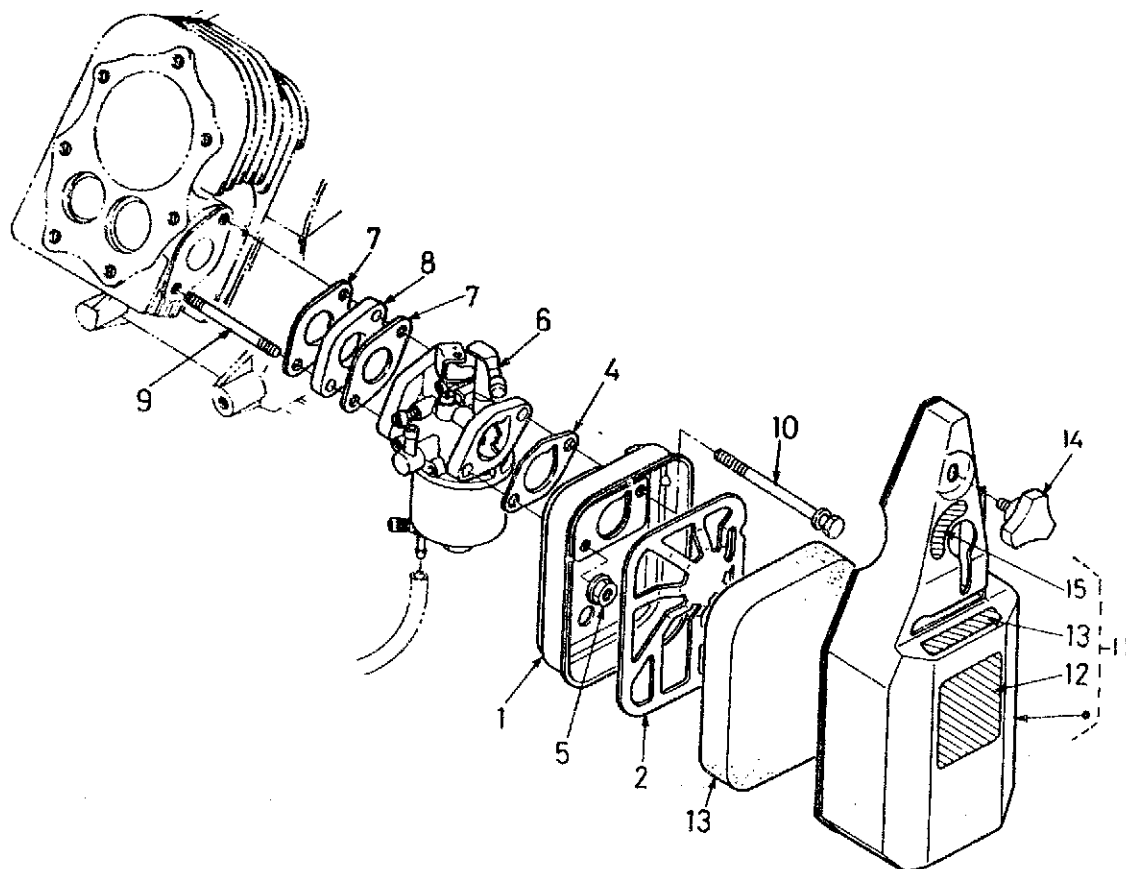
Ref. No.	Part No.	Qty. Used	Part Description
1	185-3521	1	Crankcase
2	185-3874	1	Fan,Cover
3	185-4801	2	Screw,Withwasher
4	185-4745	1	Gasket,Crankcase
5	185-3082	2	Pin,Straight
6	185-3326	7	Bolt
7	185-4765	1	Comp.Cylinder
8	185-4720	2	Guide,Valve
9	185-4711	1	Cylinder Head
10	185-4712	1	Gasket,Cylinder Head
11	185-4713	2	Bolt,Cylinder Head
12	185-4714	3	Bolt,Cylinder Head
13	185-4746	2	Bolt,Cylinder Head
14	185-4773	1	Assy Plug,Oil Filler
15	185-3078	1	Ring
16	185-3656	1	Plug,Drain
17	185-3077	1	Gasket
18	185-4825	1	Cap,Crankcase

Breather



Ref. No.	Part No.	Qty. Used	Part Description
1	185-4747	1	Comp.Breather
2	185-3117	1	Cover,Breather Case
3	185-4748	1	Gasket,Breather
4	185-4761	2	Screw
5	185-4767	1	Pipe,Breather
6	185-4717	1	Valve.Inlet
7	185-4741	1	Valve,Exhaust
8	185-4718	2	Spring,Valve
9	185-4719	2	Retainer,Valve Sp.
10	185-4721	1	Cover,Tappet Case
11	185-4722	1	Gasket
12	185-4761	2	Screw

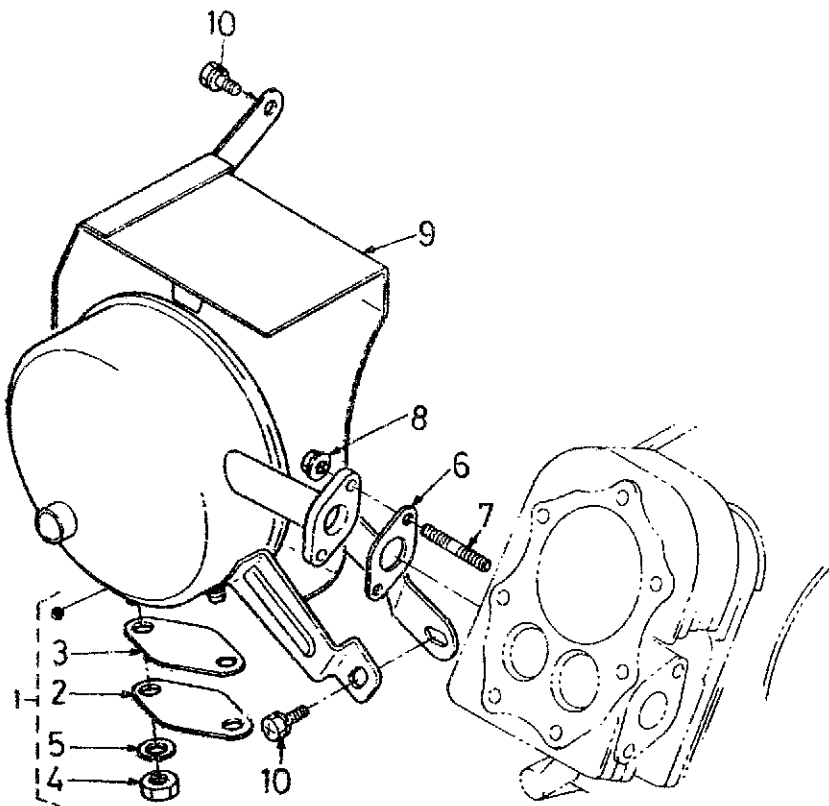
Air Cleaner



Ref. No.	Part No.	Qty Used	Part Description
1	185-4768	1	Body, Air Cleaner
2	185-4770	1	Plate, Air Cleaner
3	185-4769	1	Element, Air Cleaner
4	185-4749	1	Gasket, Air Cleaner
5	185-3697	1	Nut
6	185-4776	1	Assy Carburetor
7	185-4735	2	Gasket
8	185-4781	1	Flange, Carburetor
9	185-4799	1	Stud
10	185-4797	1	Bolt
11	185-5092	1	Assy Cover, A/C
12	185-4007	1	Label, Air Cleaner
13	185-4004	1	Mark, Choke
14	185-3901	1	Bolt, Knob
15	185-4006	1	Mark, Cock Lever

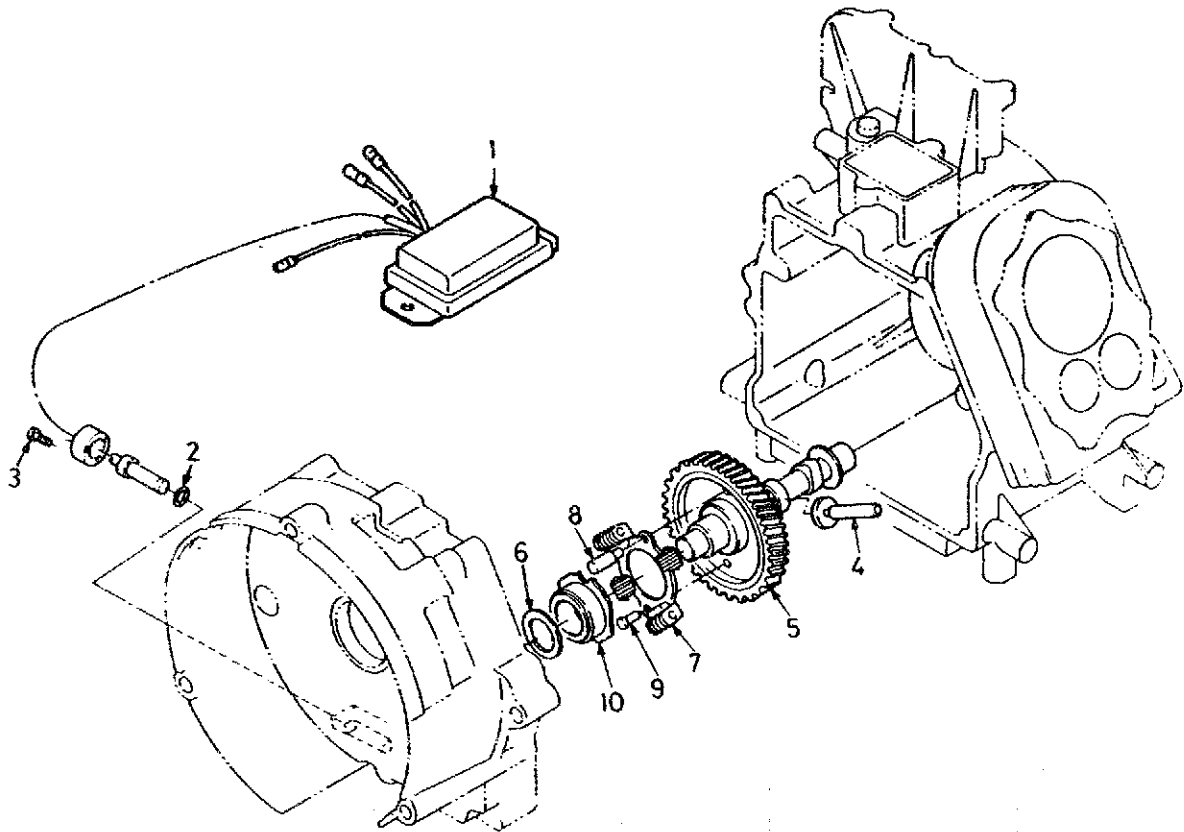


Muffler



Ref. No.	Part No.	Qty Used	Part Description
1	185-4802	1	Comp. Muffler
2	185-4803	1	Cover, Blind
3	185-4715	1	Gasket, Muffler
4	185-3026	2	Nut
5	185-2380	2	Washer, Spring
6	185-4715	1	Gasket, Muffler
7	185-4739	2	Stud
8	185-3697	2	Nut
9	185-5093	1	Cover
10	185-3015	2	Bolt

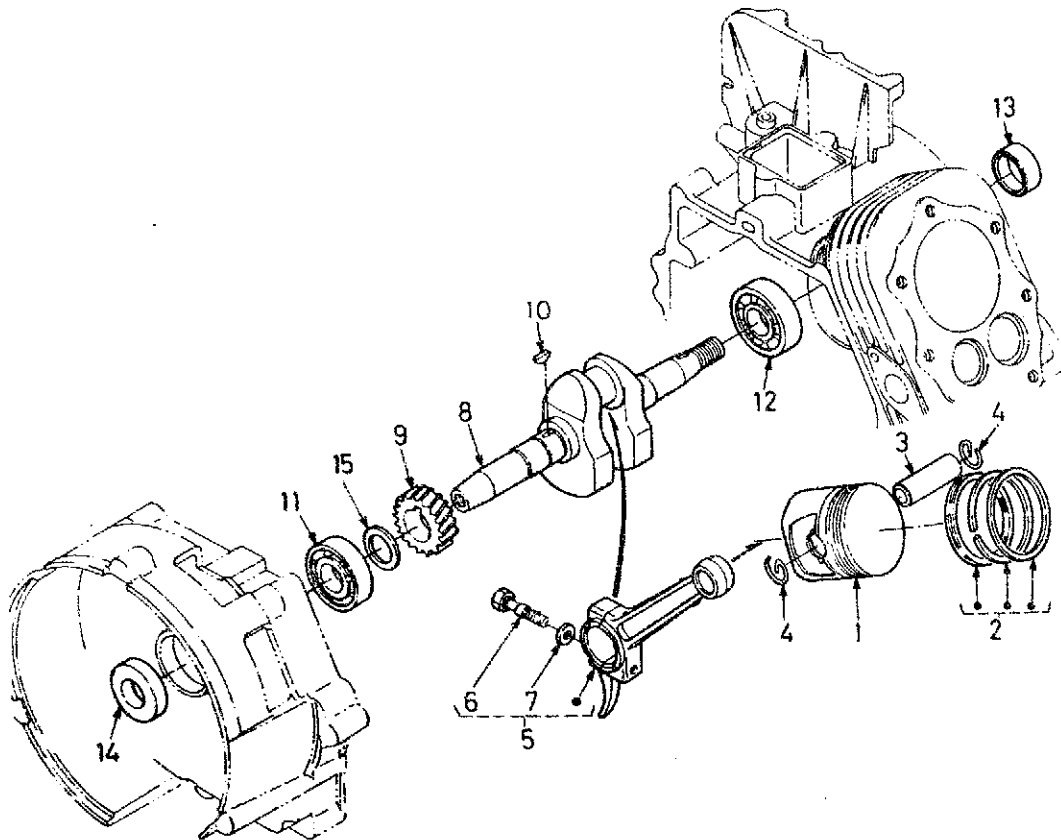
Camshaft



Ref. No.	Part No.	Qty. Used	Part Description
1	185-4808	1	Assy Watch,Oil
2	185-3081	1	Ring
3	185-3048	3	Screw.With Washer
4	185-4723	2	Tappet
5	185-4724	1	Comp.Camshaft
6	185-4725	1	Shim
6	185-4726	1	Shim
6	185-4727	1	Shim
6	185-4728	1	Shim
6	185-4729	1	Shim
7	185-3316	1	Comp.Weight,Governor
8	185-3318	1	Pin
9	185-3328	1	Rivet
10	185-4807	1	Sleeve,Governor

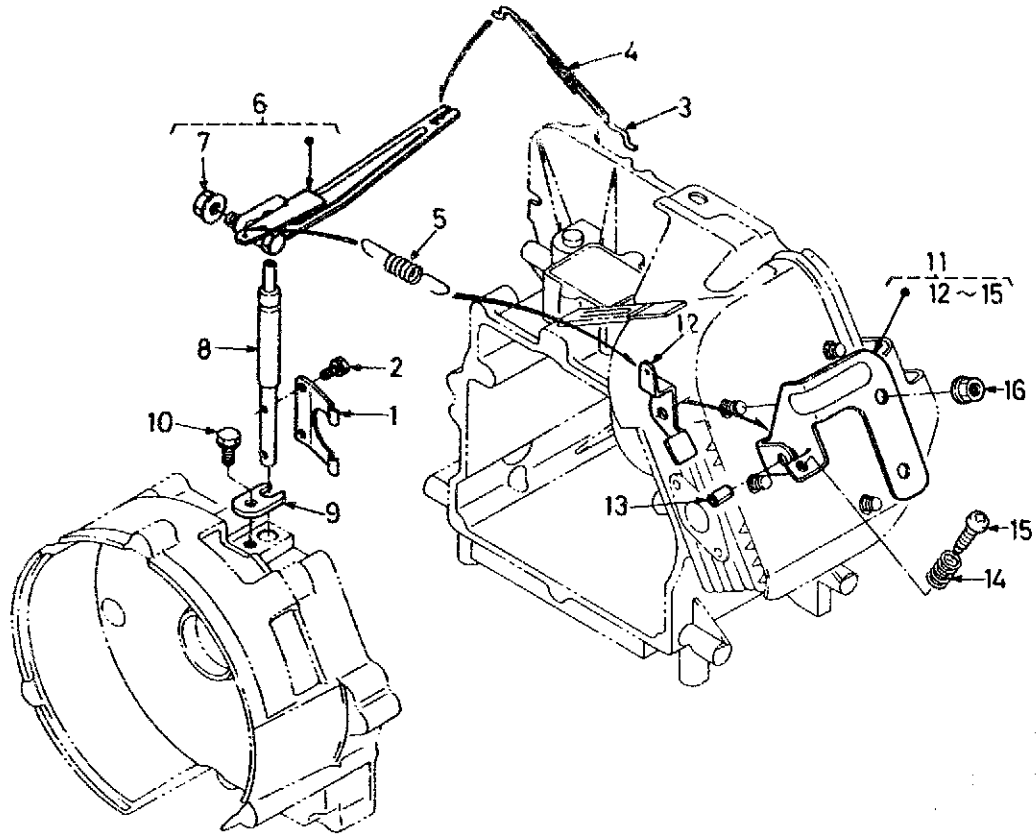


Piston & Crankshaft



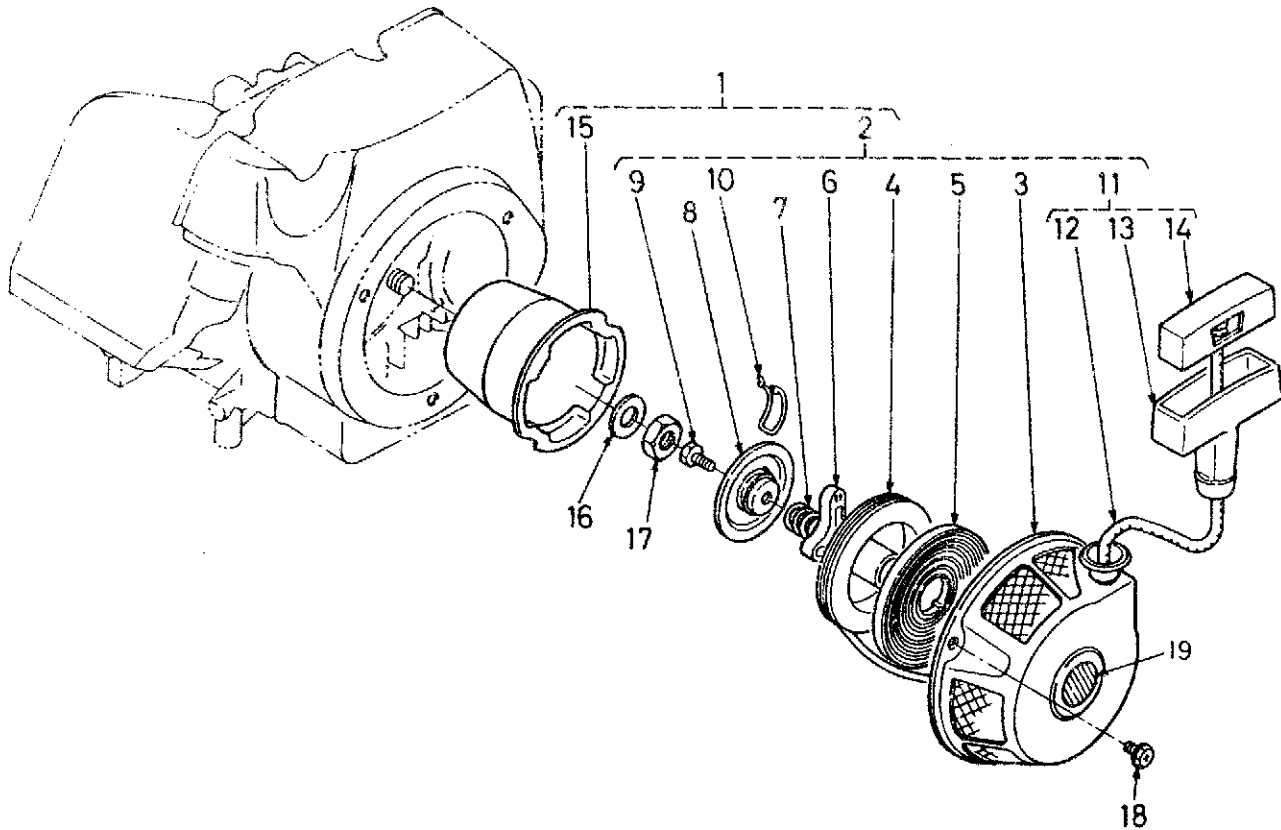
Ref. No.	Part No.	Qty. Used	Part Description
1	185-4731	1	Piston
2	185-4730	1	Assy Piston Ring
3	185-4732	1	Pin,Piston
4	185-4806	2	Cir-Clip,Internal
5	185-4742	1	Assy Connecting Rod
6	185-4743	2	Bolt,Connecting Rod
7	185-4733	2	Washer,Con.Rod
8	185-4772	1	Crankshaft
9	185-4734	1	Gear,Crankshaft
10	185-3085	1	Key,Woodruff
11	185-3090	1	Bearing,Ball
12	185-4710	1	Bearing,Ball
13	185-3101	1	Seal,Oil
14	185-3286	1	Seal,Oil
15	185-3288	1	Shim
15	185-3289	1	Shim
15	185-3290	1	Shim
15	185-3291	1	Shim
15	185-3292	1	Shim
15	185-3293	1	Shim
15	185-3294	1	Shim
15	185-3295	1	Shim
15	185-3296	1	Shim
15	185-3297	1	Shim
15	185-3298	1	Shim
15	185-3299	1	Shim
15	185-3300	1	Shim

Governor



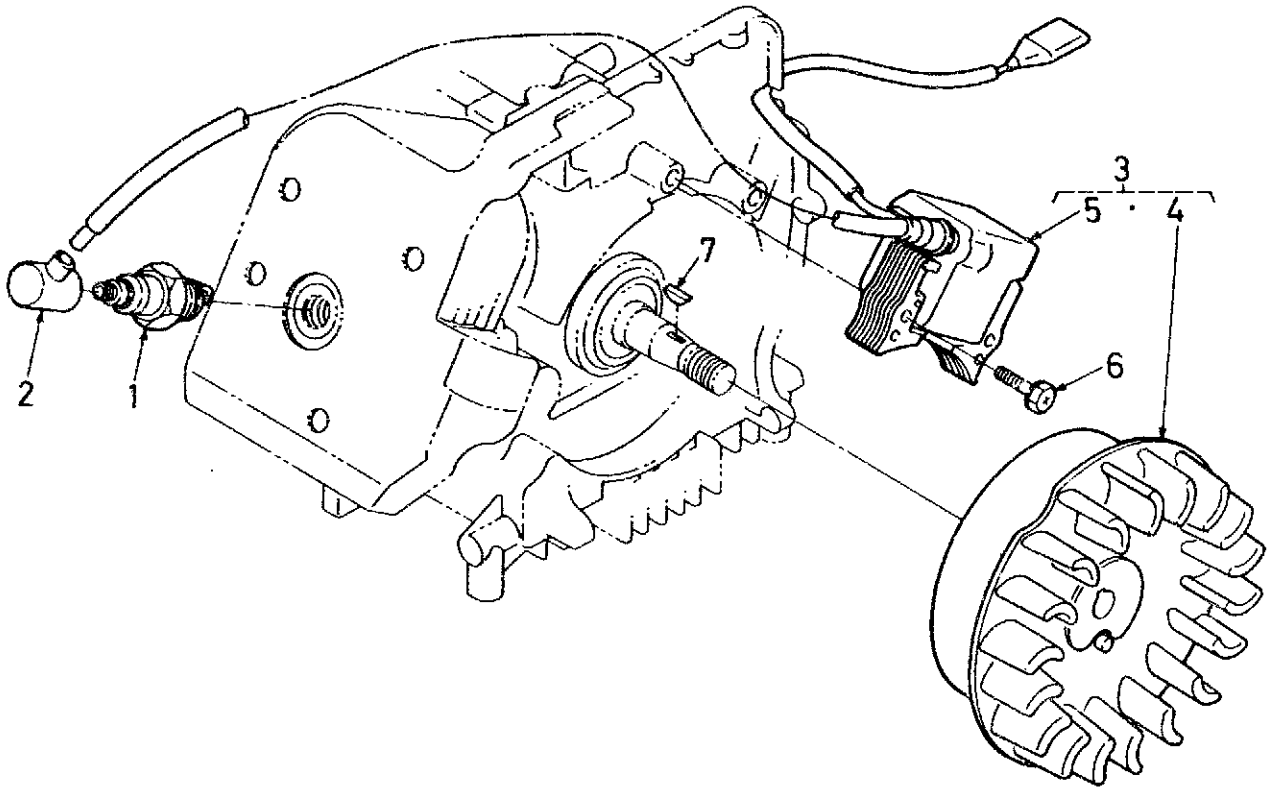
Ref. No.	Part No.	Qty Used	Part Description
1	185-4736	1	Locker, Governor
2	185-3322	2	Screw, with Washer
3	185-4783	1	Rod, Governor Joint
4	185-4784	1	Spring, Con/Rod
5	185-4785	1	Spring, Governor
6	185-5014	1	Assy Lever, Governor
7	185-3697	1	Nut
8	185-3319	1	Shaft, Fork Lever
9	185-3320	1	Support, Fork Lever
10	185-4763	1	Bolt, with Washer
11	185-4786	1	Assy Lever, Adj.
12	185-3900	1	Lever, Speed Control
13	185-3083	1	Pin, Spring
14	185-3520	1	Spring
15	185-4800	1	Screw
16	185-3697	3	Nut

Recoil Starter



Ref. No.	Part No.	Qty. Used	Part Description
1	185-4787	1	Assy Starter,Recoil
2	185-4788	1	Assy Sub Starter,Rec.
3	185-4790	1	Case,Recoil Starter
4	185-3133	1	Reel
5	185-3135	1	Spring,Spiral
6	185-4744	1	Claw
7	185-3137	1	Spring
8	185-3136	1	Plate,Pressure
9	185-3002	1	Bolt
10	185-3141	1	Spring,Return
11	185-4789	1	Assy Rope
12	185-3138	1	Rope
13	185-4791	1	Knob,Starter
14	185-4792	1	Cap
15	185-4737	1	Pulley,Start
16	185-3069	1	Washer,Plain
17	185-3031	1	Nut
18	185-4798	3	Bolt
19	185-4944	1	Label,Electronic

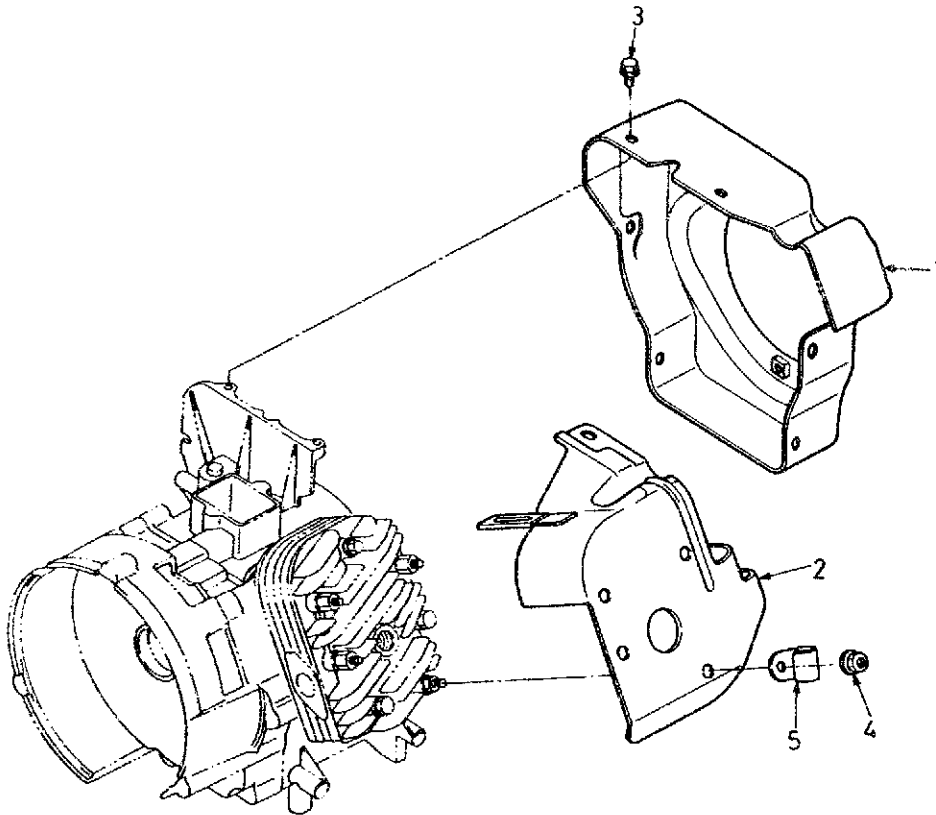
Magneto



Ref. No.	Part No.	Qty. Used	Part Description
1	185-4945	1	Spark Plug
2	185-3729	1	Cap, Spark Plug
3	185-4793	1	Magneto Assy
4	185-4738	1	Comp. Rotor
5	185-4794	1	Coil, Ignition
6	185-4543	2	Bolt
7	185-3086	1	Key, Woodruff

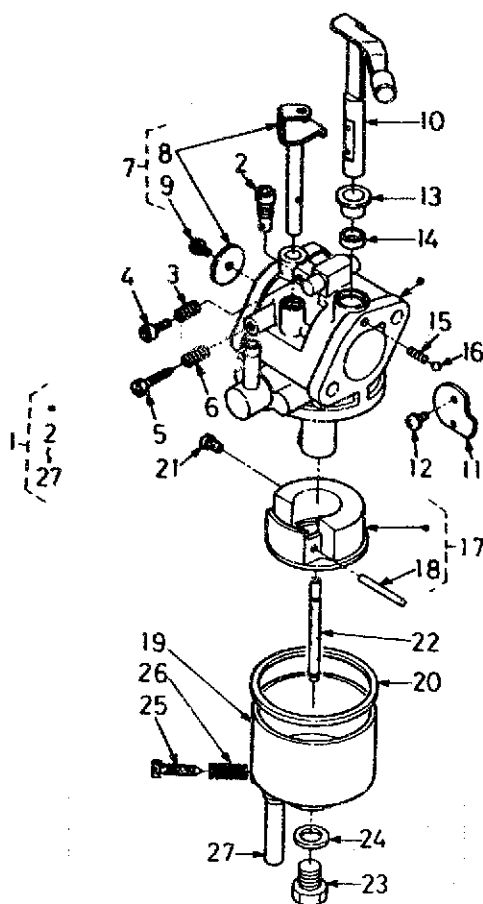


Spiral Case



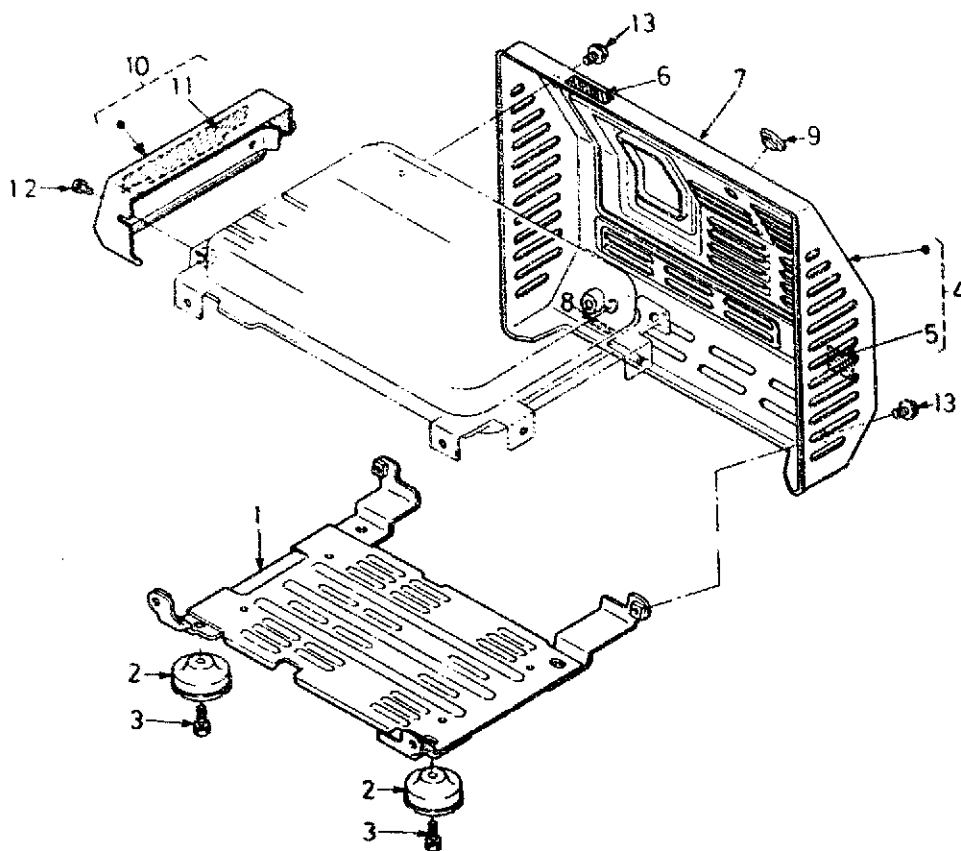
Ref. No.	Part No.	Qty. Used	Part Description
1	185-4795	1	Assy Case,Spiral
2	185-4796	1	Cowling,Cyl.Head
3	185-4762	5	Screw
4	185-3697	1	Nut
5	185-3797	2	Assy Clamp,Cord

Carburettor



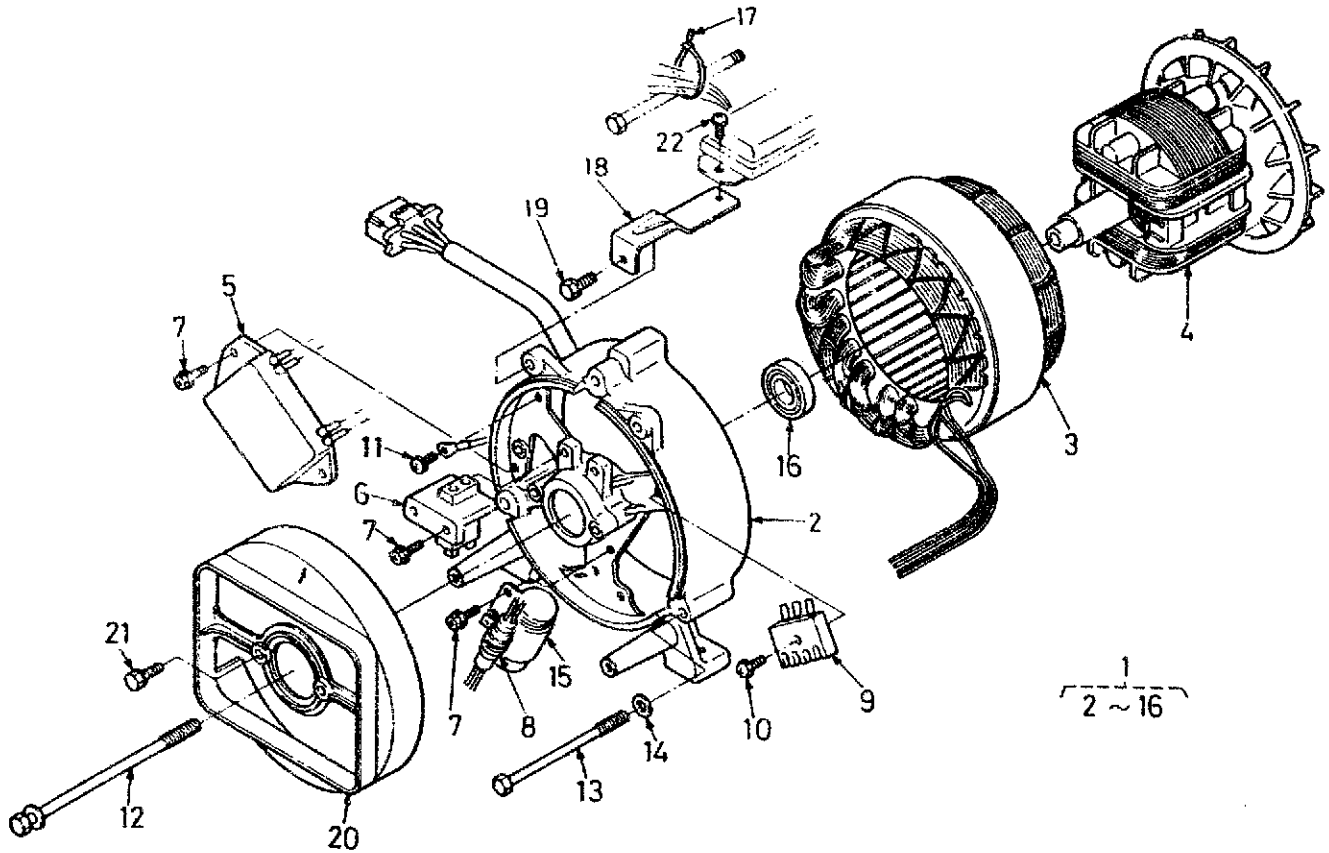
Ref. No.	Part No.	Qty. Used	Part Description
1	185-4776	1	Assy Carburettor
2	185-4777	1	Pilot Jet
3	185-3245	1	Spring
4	185-3470	1	Screw,Idle
5	185-4539	1	Screw,Pilot
6	185-3245	1	Spring
7	185-4778	1	Assy Shaft,Throttle
8	185-4753	1	Valve,Throttle
9	185-4558	1	Screw,Cross
10	185-4779	1	Assy Shaft,Choke
11	185-4754	1	Valve,Choke
12	185-4558	2	Screw,Cross
13	185-4755	1	Ring
14	185-4756	1	Ring
15	185-4804	1	Spring
16	185-4805	1	Ball
17	185-4757	1	Assy Float
18	185-4759	1	Pin,Float
19	185-4780	1	Chamber,Float
20	185-4758	1	Gasket
21	185-4751	1	Main Jet
22	185-4750	1	Nozzle,Main
23	185-4760	1	Bolt
24	185-4752	1	Gasket
25	185-4564	1	Screw,Drain
26	185-4563	1	Spring
27	185-4774	1	Hose

Frame



Ref. No.	Part No.	Qty. Used	Part Description
1	185-4816	1	Assy Base,Engine
2	185-4815	4	Cushion
3	185-2389	4	Bolt
4	185-4946	1	Assy Cover,Rear
5	185-4947	1	Label
6	185-4473	1	Label,Caution
7	185-4948	1	Label
8	185-4057	1	Label,Japan
9	185-3422	1	Plug,Blind
10	185-4949	1	Assy Cover,Side
11	185-4950	1	Label
12	185-4839	2	Screw,With Washer
13	185-4839	4	Screw,With Washer

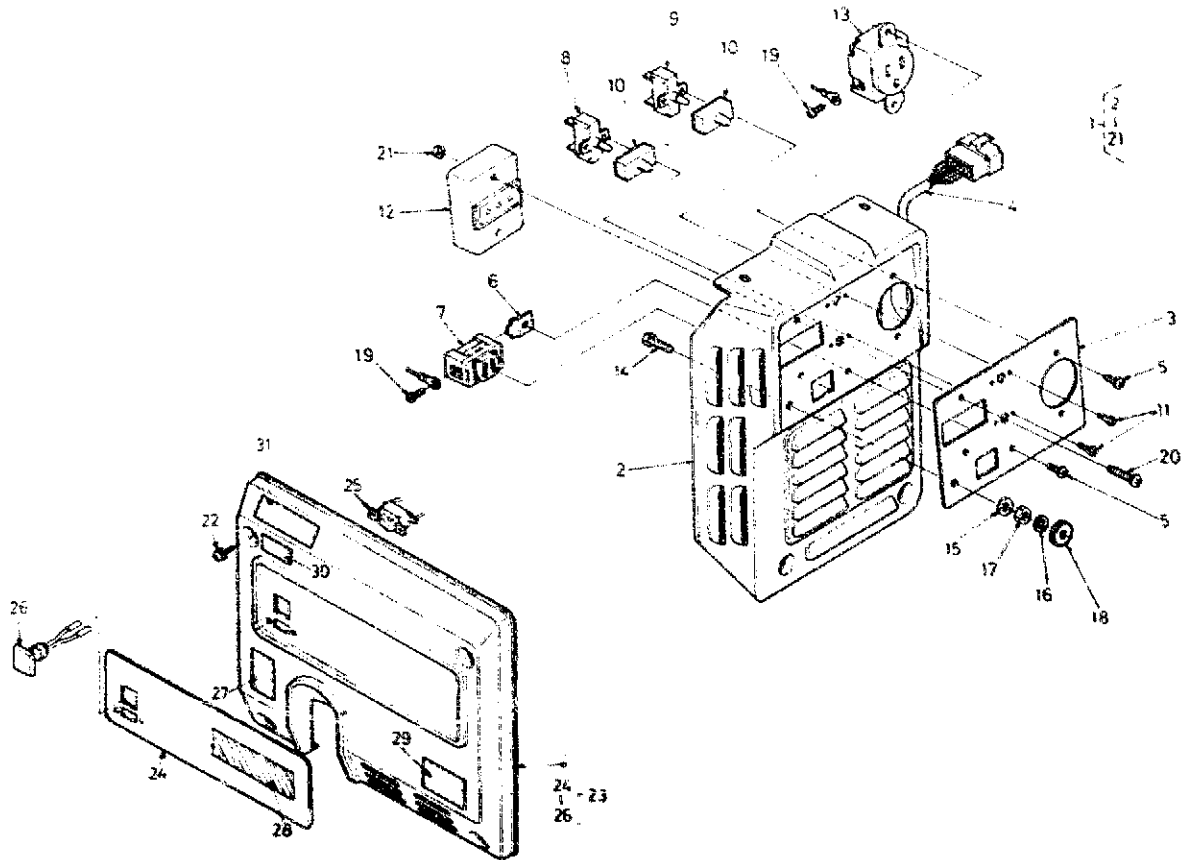
Generator



Ref. No.	Part No.	Qty Used	Part Description
1	185-4951	1	Assy Generator
2	185-4851	1	Bracket, Rear
3	185-4952	1	Assy Stator
4	185-4848	1	Assy Rotor
5	185-4850	1	Assy Control (Includes Condenser)
6	185-4849	1	Assy Holder Brush
7	185-4616	6	Bolt
8	185-3846	2	Plate
9	185-3920	1	Assy Diode
10	185-3046	1	Screw, with Washer
11	185-3918	1	Screw
12	185-3873	1	Bolt
13	185-3871	3	Bolt
14	185-2376	3	Washer, Plain
15	185-4852	1	Holder, Condenser
16	185-3098	1	Bearing, Ball
17	185-4829	1	Binder
18	185-4847	1	Stay
19	185-3014	1	Bolt
20	185-4845	1	Cover, Cleaner
21	185-4740	2	Bolt with Washer
22	185-4762	2	Screw

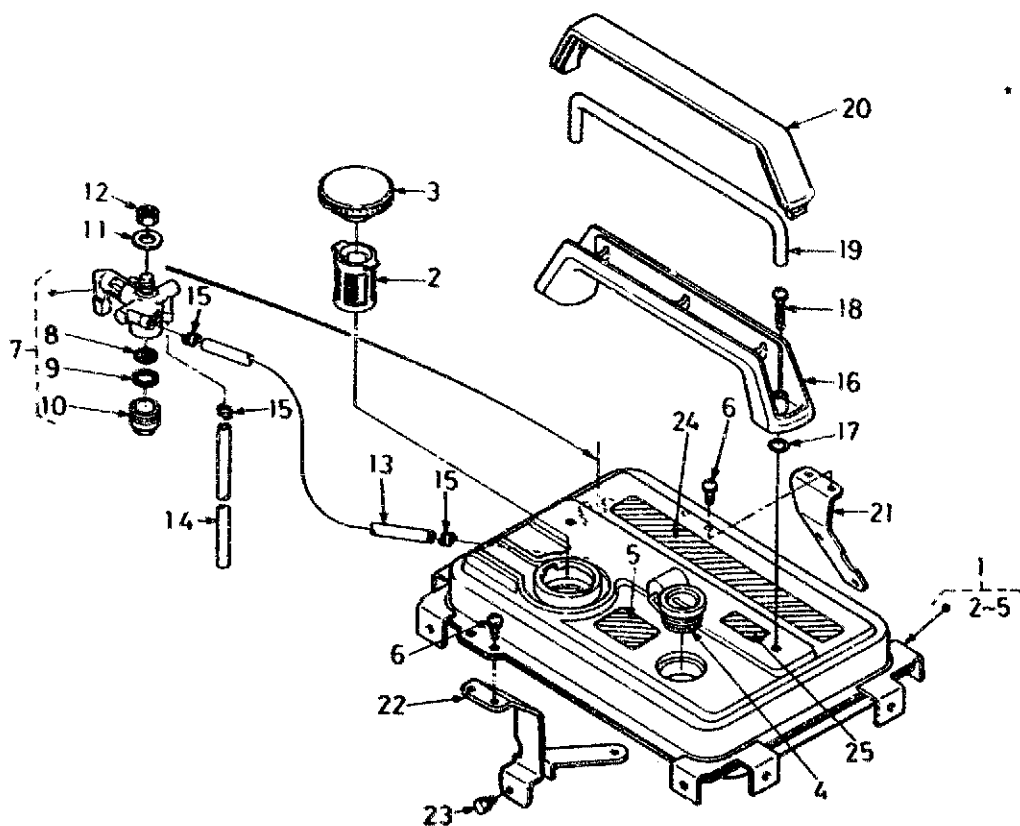


Front Plate



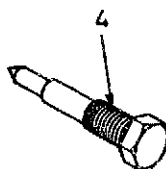
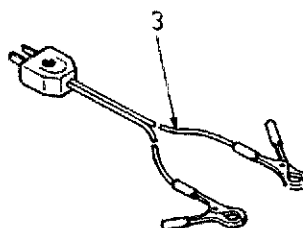
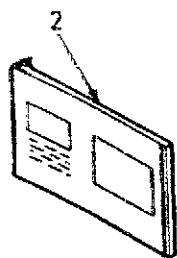
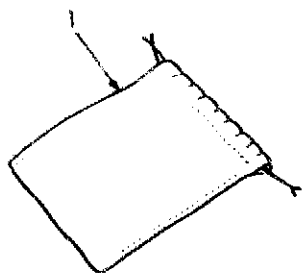
Ref. No.	Part No.	Qty Used	Part Description
1	185-4953	1	Panel, Control
2	185-4954	1	Cover, Side
3	185-4955	1	Plate, Panel
4	185-4956	1	Wire Harness
5	185-4301	3	Screw, Pan Head
6	185-3849	1	Plate, S
7	185-3921	1	Assy Receptacle
8	185-4846	1	Breaker, 5A - Circuit
9	185-4853	1	Circuit Breaker
10	185-4615	2	Cap
11	185-4913	4	Screw, Pan Head
12	185-4957	1	Assy Indicator
13	185-3878	1	Receptacle
14	185-3850	1	Bolt
15	185-2376	1	Washer, Plain
16	185-2380	1	Washer, Spring
17	185-3026	1	Nut
18	185-4053	1	Nut
19	185-3951	5	Screw, with Washer
20	185-4958	2	Screw
21	185-4959	2	Nut
22	185-4839	4	Screw, with Washer
23	185-4960	1	Assy Plate, Front
24	185-4961	1	Panel
25	185-4820	1	Assy Switch
26	185-4826	1	Assy Lamp, Oil
27	185-3961	1	Label, Oil
28	185-4469	1	Label, Onan
30	185-4348	1	Label, Caution

Fuel Tank



Ref. No.	Part No.	Qty Used	Part Description
1	185-4963	1	Assy Tank, Fuel
2	185-3888	1	Filter, Fuel
3	185-3887	1	Assy Cap, Fuel Tank
4	185-3889	1	Assy Gauge, Fuel
6	185-4839	4	Screw, with Washer
7	185-3893	1	Assy Filter, Fuel
8	185-3897	1	Element, Filter
9	185-3896	1	Gasket
10	185-3895	1	Pot, Filter
11	185-3068	1	Washer, Plain
12	185-3035	1	Nut
13	185-3890	1	Pipe, Fuel
14	185-4828	1	Pipe, Fuel
15	185-3256	4	Clamp, Pipe
16	185-3869	1	Knob
17	185-3080	2	Ring
18	185-3038	2	Screw, with Washer
19	185-3892	1	Assy Pipe, Air Vent
20	185-3870	1	Cover
21	185-4775	1	Bracket, Tank
22	185-4766	1	Bracket, Tank
23	185-4764	1	Boit, with Washer

Service Parts



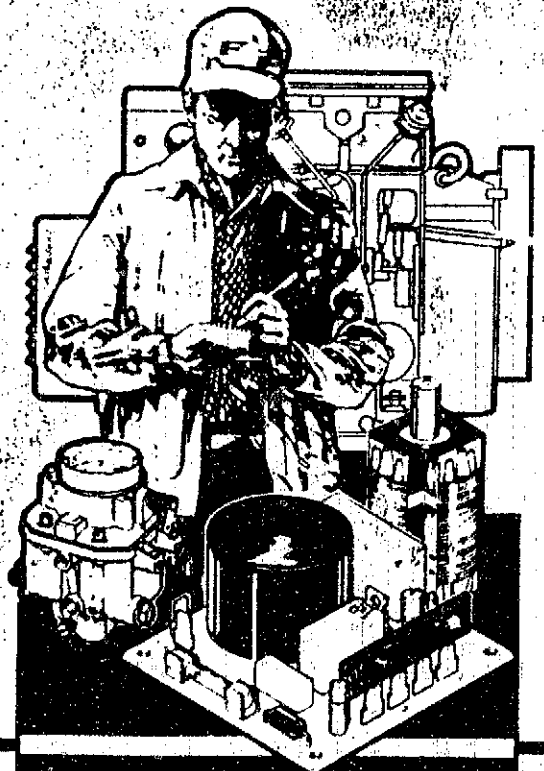
Ref. No.	Part No.	Qty. Used	Part Description
1	185-4079	1	Bag,Tools
2	185-4966	1	Manual,Instruction
3	185-4080	1	Assy DC-Cord
4	185-4077	1	Bolt,Rotor-Puller

Onan

PROPERTY
OF
SERVICE PARTS
LIBRARY
DO NOT REMOVE

Parts Manual 1.4 KK GenSet

No replacement engine



Onan Service Parts

981-0234
4-86 (Spec B)
**Power
Generation**



Redistribution or publication of this document by any means, is strictly prohibited.