

The following catalog has gaps in its page numbers, or doesn't have any numbers. We have chosen to leave the page numbering in the order that Acrobat assigns it.

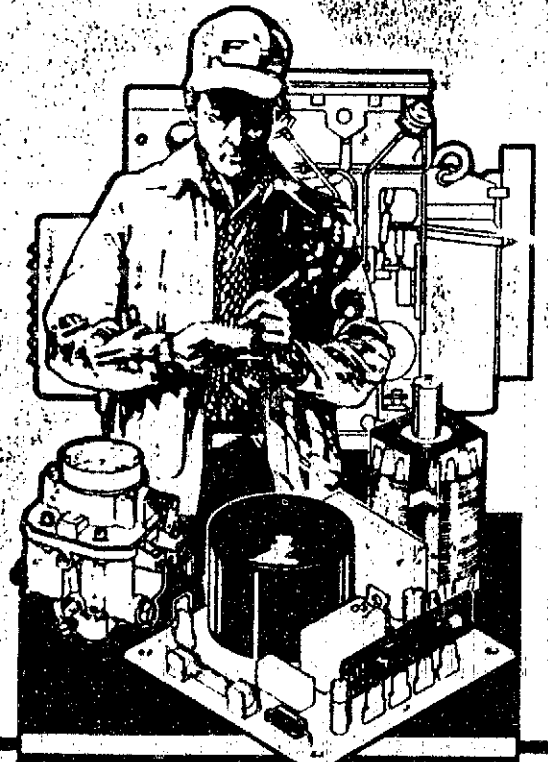
# Onan

PROPERTY  
OF  
SERVICE PARTS  
LIBRARY

DO NOT REMOVE

## Parts Manual 1.4 KK GenSet

*No replacement engine*



Onan Service Parts

981-0234  
4-86 (Spec B)



Redistribution or publication of this document by any means, is strictly prohibited.

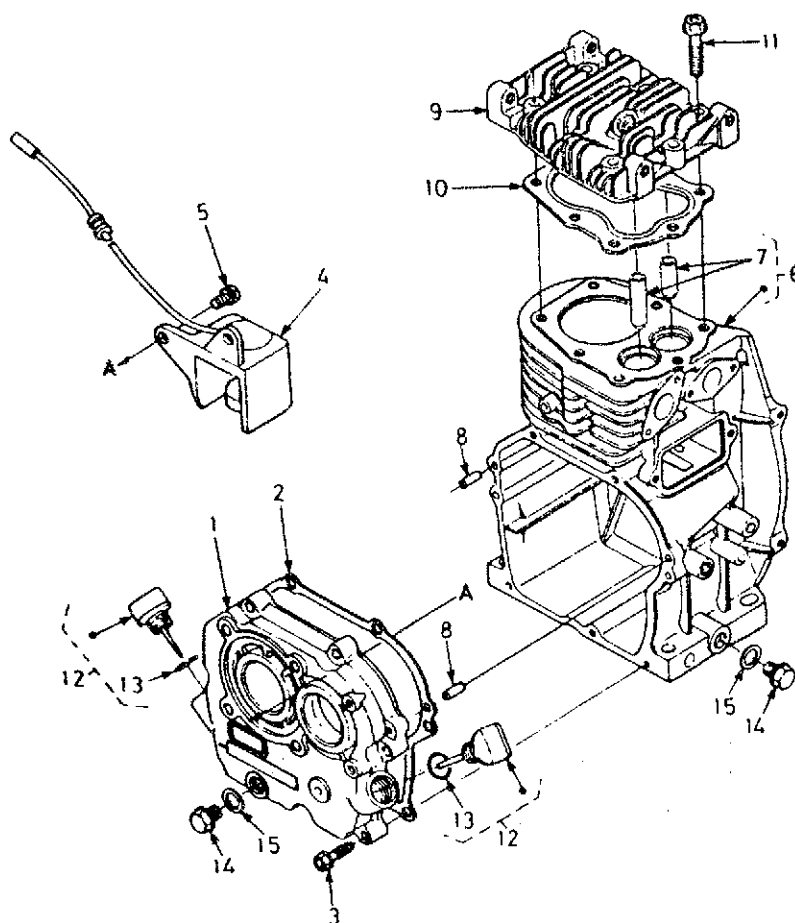
## INDEX

6	Bearing, Crankshaft	1	Guide, Valve
14	Breaker, Circuit	12	Holder Assy, Brush
5	Camshaft	9	Lamp Assy
15	Cap, Fuel Tank	7	Lever, Governor
8	Carburetor	9	Magneto
3	Cleaner, Air	4	Muffler
9	Coil, Ignition	2	Pipe, Breather
14	Control	6	Piston
16	Cord Assy, DC	7	Plate Assy, Speed Ctrl
6	Crankshaft	1	Plug, Drain
12	Diode Assy	1	Plug, Oil
3	Filter, Air	9	Plug, Spark
15	Filter, Fuel	10	Pulley, Starter
11	Frame	6	Ring Assy, Piston
2	Gasket, Breather	6	Rod Assy, Connecting
3	Gasket, Carburetor Mtg	10	Rope, Start
1	Gasket, Crankcase	12	Rotor, Generator
1	Gasket, Cylinder Head	9	Rotor, Magneto
15	Gasket, Fuel Tank	10	Starter Assy, Recoil
1	Gasket, Drain Plug	12	Stator, Generator
15	Gauge, Fuel	9	Switch Assy, Stop
5	Gear, Camshaft	15	Tank, Fuel
6	Gear, Crankshaft	2	Valve, Exhaust
5	Gear, Governor	2	Valve, Inlet
12	Generator	1	Watch Assy, Oil
7	Governor		

## Introduction

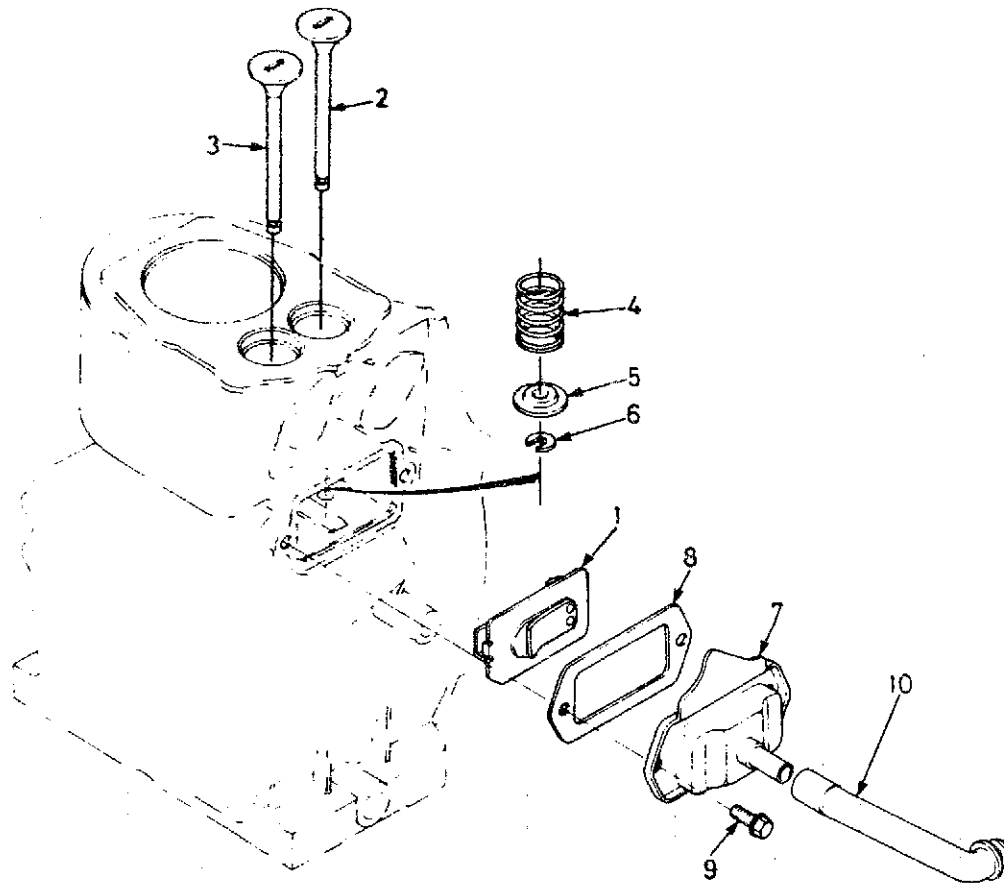
This catalog applies to the KK Generator Set. Parts are arranged in groups of related items and each illustrated part is identified by a reference number in the parts list. Unless otherwise mentioned in the description, parts are interchangeable between models. Parts illustrations are typical. Using the model and specification number from your generator set nameplate, select parts that apply to your set. Right and left sides are determined by facing the engine end (front) of the set.

## Cylinder



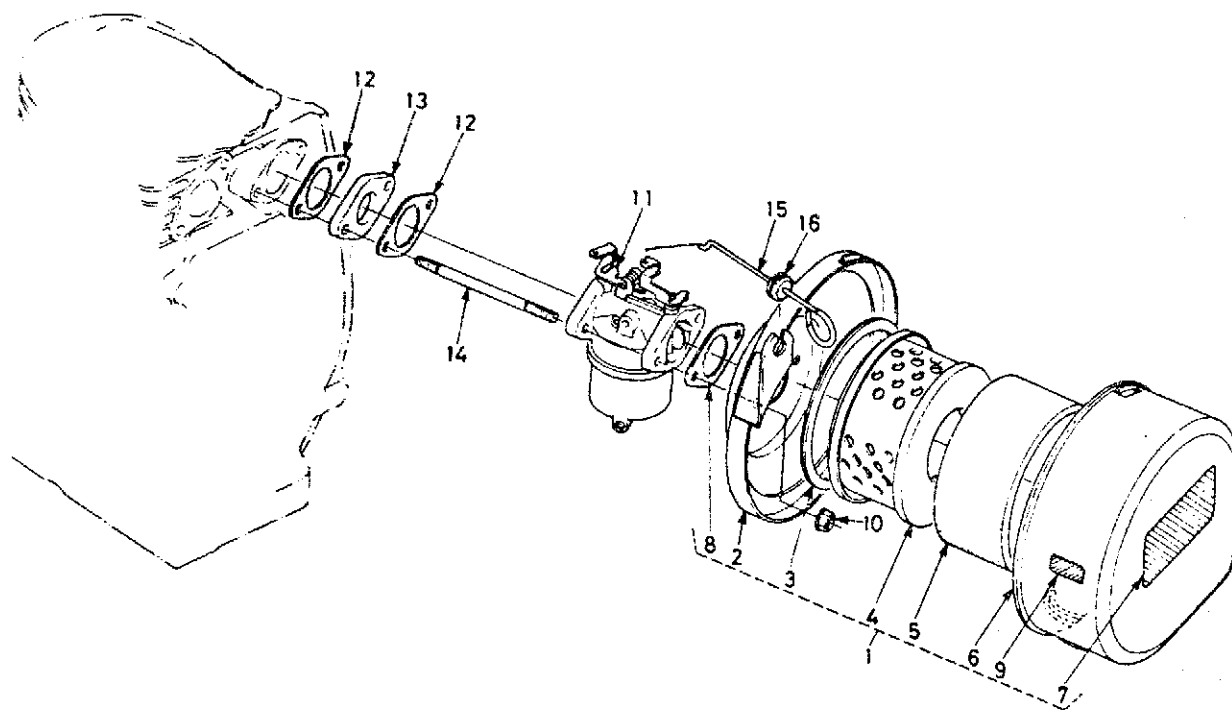
Ref. No.	Part No.	Qty. Used	Part Description
1	185-3177	1	Assy Crankcase
2	185-3625	1	Gasket.Crankcase
3	185-3692	7	Bolt
4	185-3184	1	Assy Watch.Oil
5	185-3015	2	Bolt
6	185-4967	1	Comp.Cylinder
7	185-3642	2	Guide.Inlet Valve
8	185-3082	2	Pin.Straight
9	185-3627	1	Cylinder Head
10	185-3628	1	Gasket.Cylinder Head
11	185-3629	7	Bolt.Cylinder Head
12	185-3654	2	Assy Plug.Oil Filler
13	185-3078	2	Ring
14	185-3656	2	Plug.Drain
15	185-3077	2	Gasket

## Breather



Ref. No.	Part No.	Qty. Used	Part Description
1	185-4888	1	Comp.Breather
2	185-4886	1	Valve.Inlet
3	185-3724	1	Valve.Exhaust
4	185-3639	2	Spring.Valve
5	185-3640	2	Retainer.Valve Sp.
6	185-3641	2	Collet.Valve Spring
7	185-3626	1	Cover.Tappet Case
8	185-3105	1	Gasket
9	185-3692	2	Bolt
10	185-3707	1	Pipe.Breather

## Air Cleaner

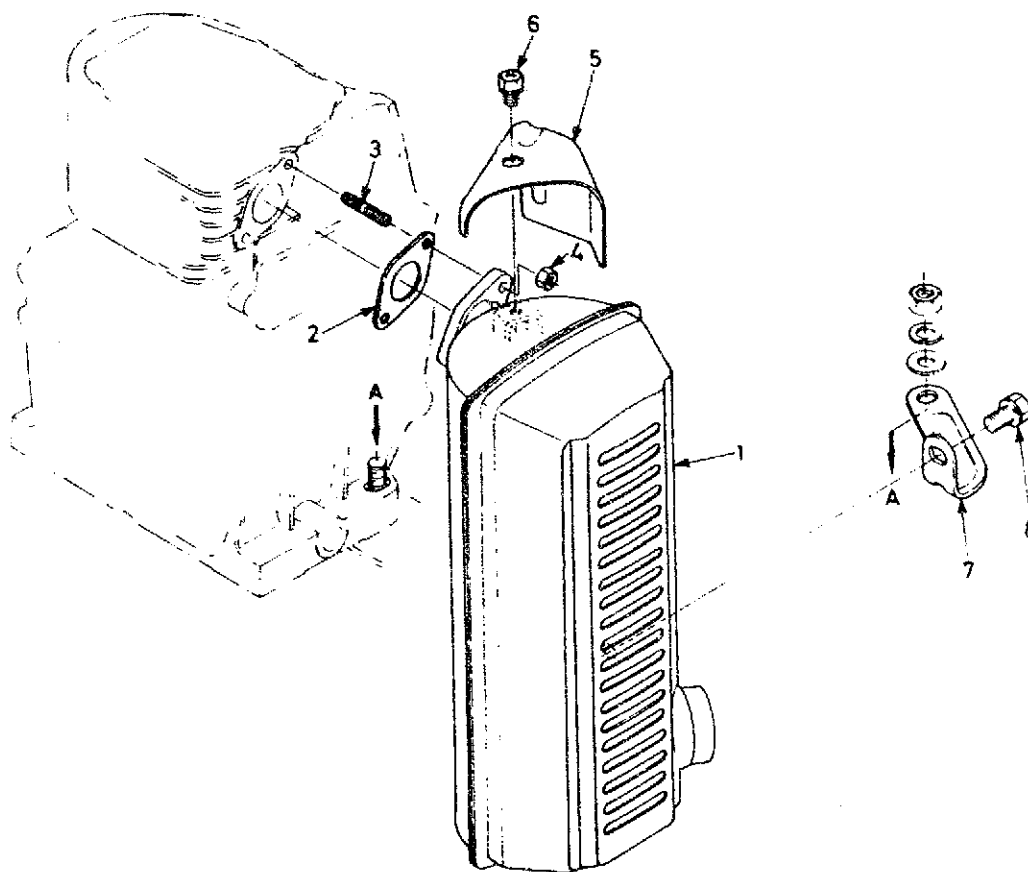


Ref. No.	Part No.	Qty. Used	Part Description
1	185-3200	1	Assy Cleaner,Air
2	185-3708	1	Body,Air Cleaner
3	185-3584	1	Plate
4	185-3201	1	Assy Element
5	185-3583	1	Sponge,Air Cleaner
6	185-3608	1	Cover,Air Cleaner
7	185-3607	1	Label,Air Cleaner
8	185-3709	1	Gasket,Air Cleaner
9	185-3722	1	Mark,Choke
10	185-3697	2	Nut
11	185-3713	1	Assy Carburettor
12	185-3672	2	Gasket
13	185-3673	1	Flange,Carburetor
14	185-3696	2	Stud
15	185-3719	1	Rod,Choke
16	185-3519	1	Cushion,Choke Rod

*16/2/203*

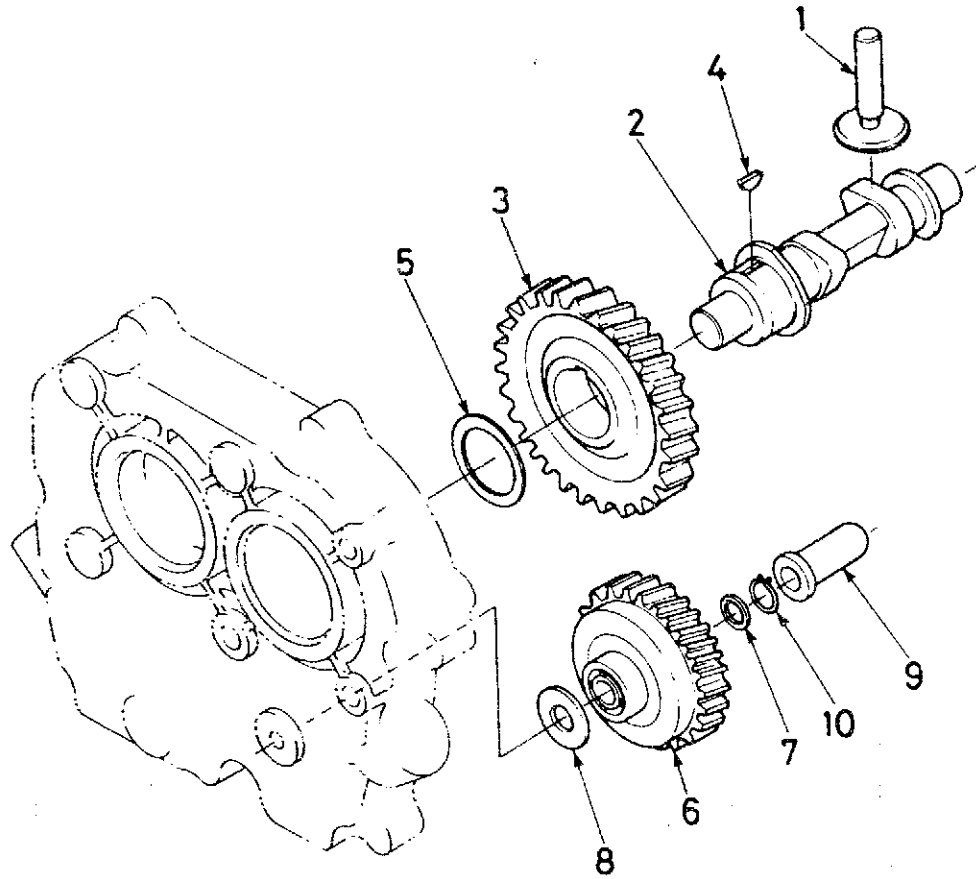
*16/1/189*

## Muffler



Ref. No.	Part No.	Qty. Used	Part Description
1	185-4968	1	Comp.Muffler
2	185-3637	1	Gasket.Muffler
3	185-3384	2	Stud
4	185-3697	2	Nut
5	185-3710	1	Cover.Muffler Flange
6	185-3013	1	Bolt
7	185-3711	1	Stay.Muffler
8	185-3009	1	Bolt

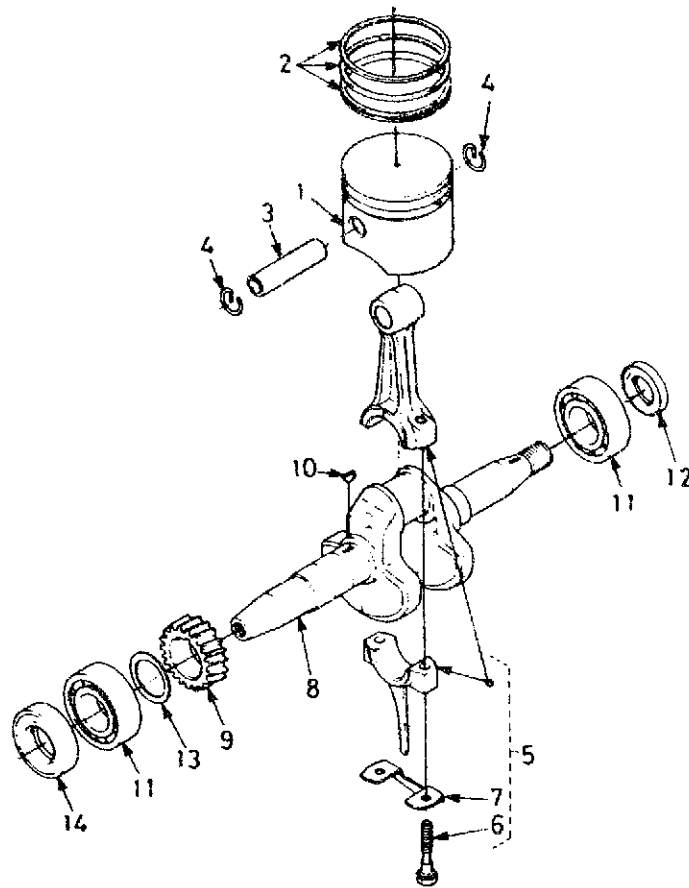
## Camshaft



Ref. No.	Part No.	Qty. Used	Part Description
1	185-3644	2	Tappet
2	185-3698	1	Camshaft
3	185-3645	1	Gear,Camshaft
4	185-3087	1	Key,Woodruff
5	185-3699	1	Shim
5	185-3700	1	Shim
5	185-3701	1	Shim
5	185-3702	1	Shim
5	185-3703	1	Shim
5	185-3704	1	Shim
6	185-3674	1	Comp Gear,Governor
7	185-3484	1	Washer
8	185-3485	1	Washer
9	185-3675	1	Sleeve,Governor
10	185-3487	1	Stopper

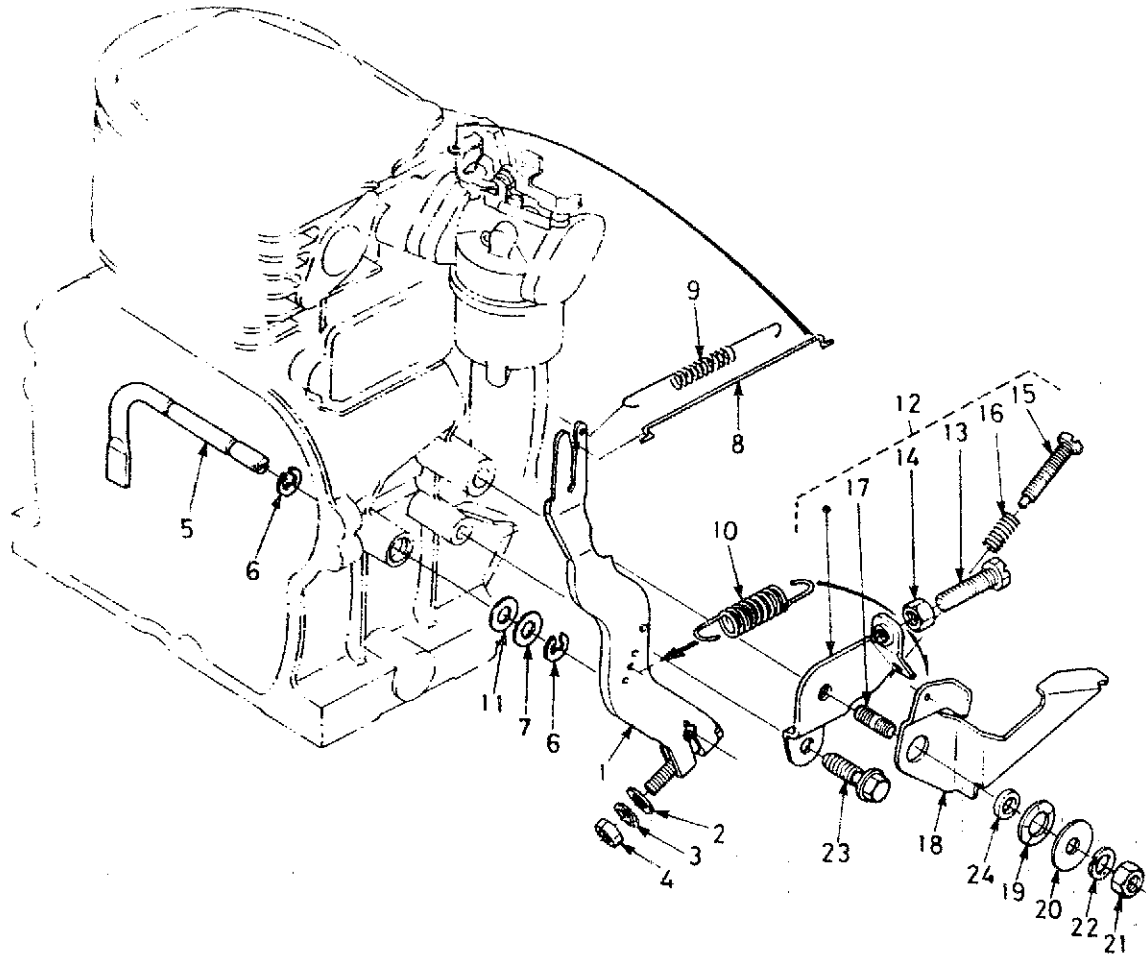


## Piston & Crankshaft



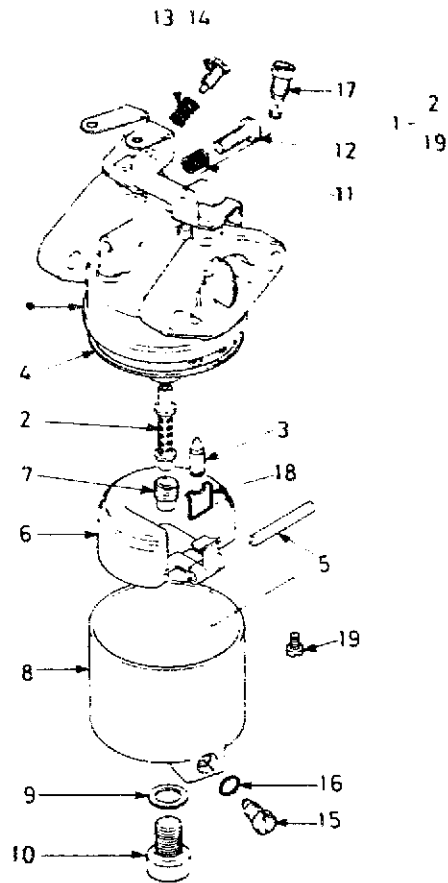
Ref. No.	Part No.	Qty. Used	Part Description
1	185-3647	1	Piston
1	185-4089	1	Piston (+0.5mm)
2	185-3646	1	Assy Piston Ring
2	185-4090	1	Assy Piston Ring (+0.5mm)
3	185-3648	1	Pin.Piston
4	185-3306	2	Cir-clip.Internal
5	185-3649	1	Assy Connecting Rod
6	185-3651	2	Bolt.Connecting Rod
7	185-3652	1	Washer.Rod Bolt
8	185-3712	1	Crankshaft
9	185-3653	1	Gear.Crankshaft
10	185-3087	1	Key.Woodruff
11	185-3093	2	Bearing.Ball
12	185-3101	1	Seal.Oil
13	185-3362	1	Shim.Camshaft
13	185-3356	1	Shim.Camshaft
13	185-3357	1	Shim.Camshaft
13	185-3355	1	Shim.Camshaft
13	185-3358	1	Shim.Camshaft
13	185-3359	1	Shim.Camshaft
13	185-3360	1	Shim.Camshaft
13	185-3361	1	Shim.Camshaft
14	185-3102	1	Seal.Oil

## Governor



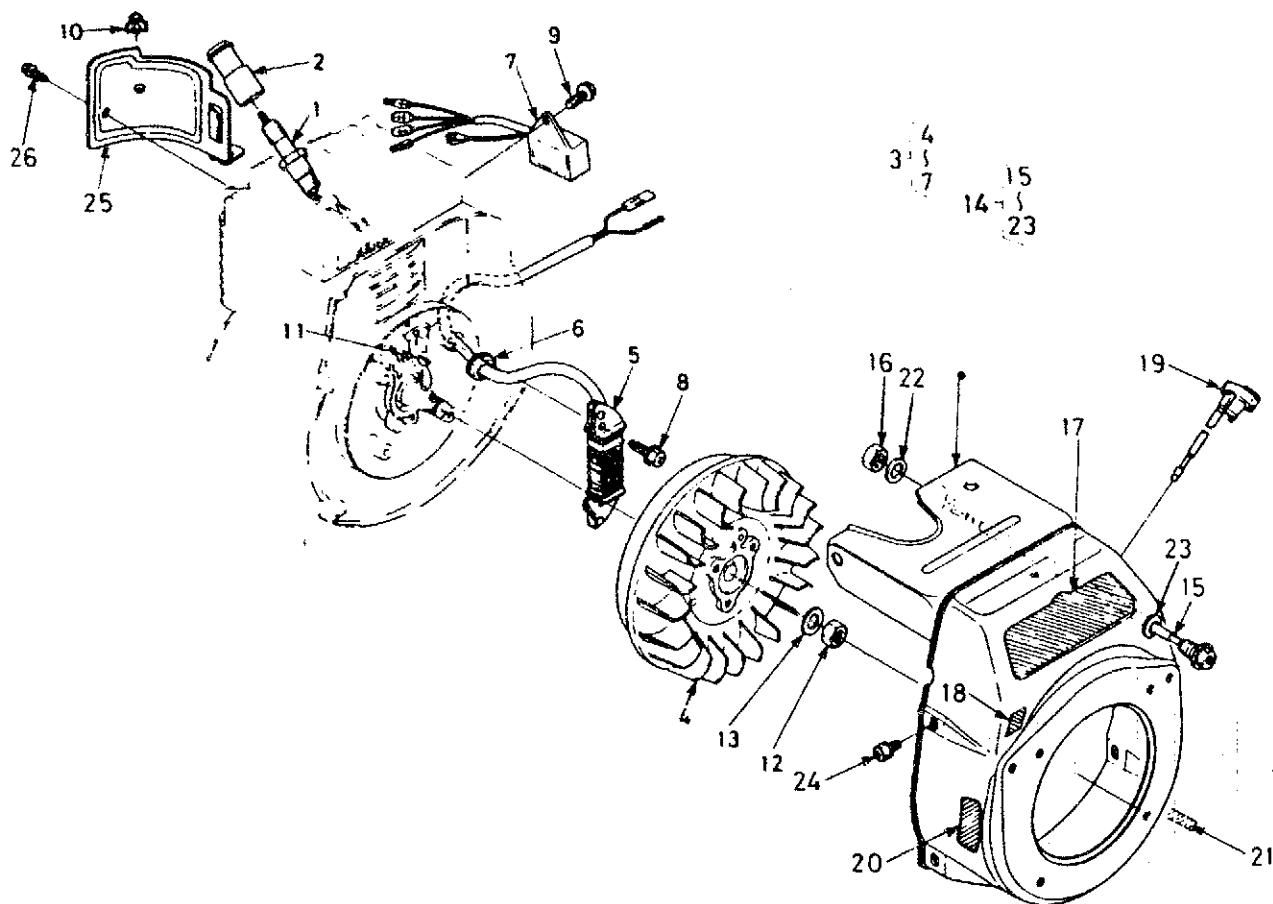
Ref. No.	Part No.	Qty. Used	Part Description
1	185-3676	1	Lever,Governor
2	185-2376	1	Washer,Plain
3	185-2380	1	Washer,Spring
4	185-3026	1	Nut
5	185-3678	1	Shaft,Governor-Lever
6	185-3072	2	Cir-Clip,External
7	185-2376	1	Washer,Plain
8	185-3680	1	Rod,Governor Joint
9	185-3110	1	Spring,Con/Rod
10	185-3241	1	Spring
11	185-3679	1	Gasket
12	185-3716	1	Assy Plate,Control
13	185-3539	1	Screw
14	185-2364	1	Nut
15	185-3387	1	Screw
16	185-3496	1	Spring
17	185-3019	1	Stud
18	185-3717	1	Comp.Lever,Control
19	185-3566	1	Washer,Spring
20	185-3382	1	Plate,Pressure
21	185-3026	1	Nut
22	185-2376	1	Washer,Spring
23	185-3692	1	Bolt
24	185-3381	1	Collar

## Carburettor



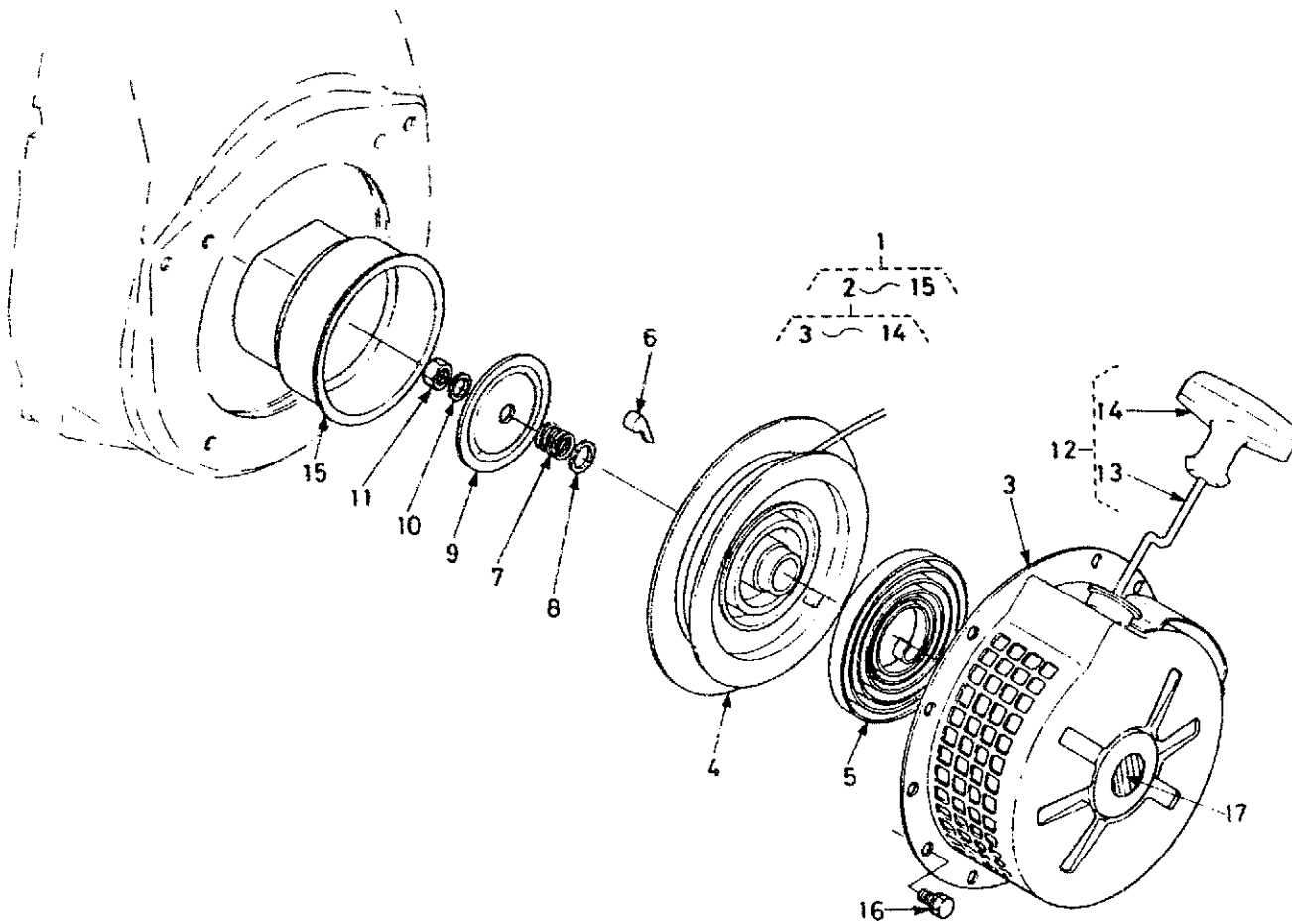
Ref. No.	Part No.	Qty. Used	Part Description
1	185-3713	1	Assy Carburettor
2	185-3715	1	Nozzle.Main
3	185-3406	1	Assy Valve.Float
4	185-3668	1	Gasket
5	185-3669	1	Pin.Arm
6	185-3666	1	Float
7	185-4892	1	Main Jet
8	185-3667	1	Chamber.Float
9	185-3405	1	Gasket
10	185-3665	1	Bolt
11	185-3403	1	Spring
12	185-3664	1	Screw.F-FIL-HD
13	185-3174	1	Spring
14	185-3404	1	Screw.Adjusting
15	185-3670	1	Screw.Drain
16	185-3671	1	O Ring
17	185-3402	1	Jet.Main
18	185-3407	1	Clip
19	185-4674	1	Screw.Set

## Magneto



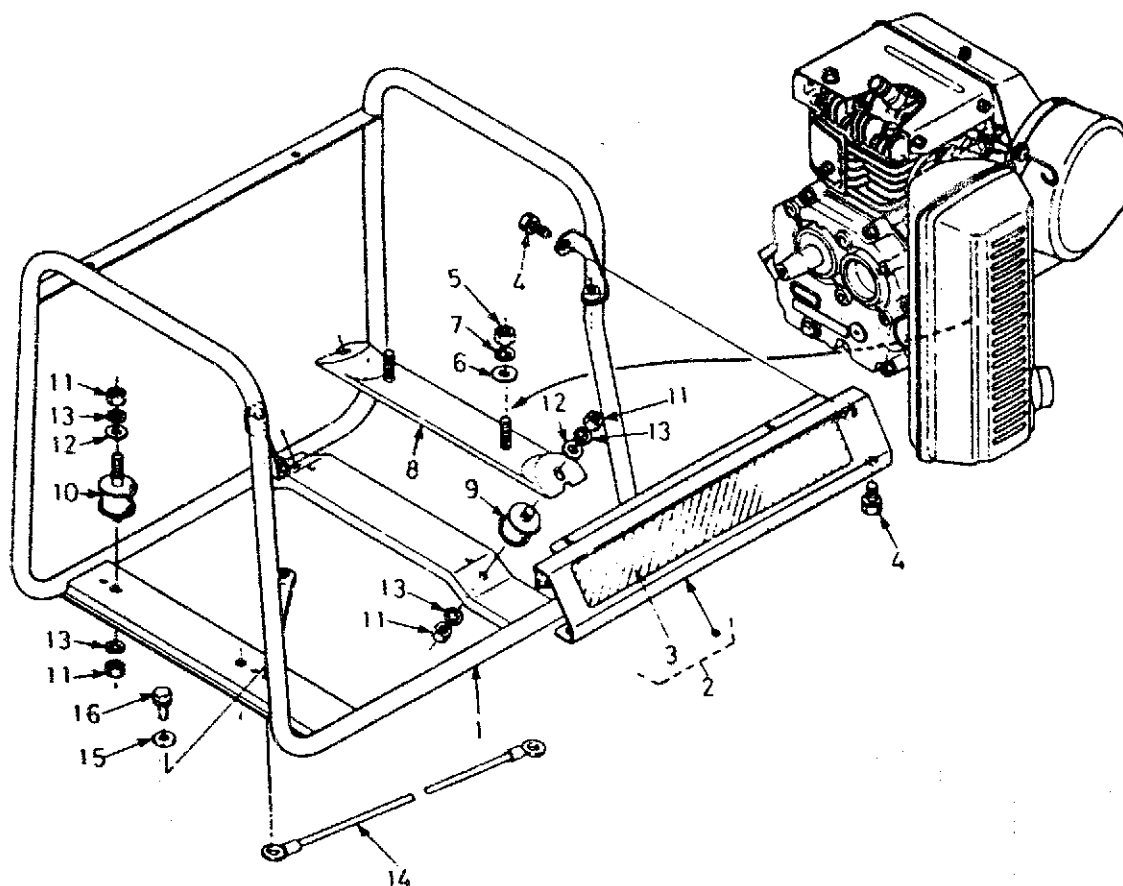
Ref. No.	Part No.	Qty. Used	Part Description
1	185-4540	1	Spark Plug
2	185-3729	1	Cap.Spark Plug
3	185-4889	1	Assy Magneto
4	185-3109	1	Comp.Rotor
5	185-3106	1	Comp.Coil.Ignition
6	185-3827	1	Grommet
7	185-4890	1	Comp.Unit
8	185-3383	2	Bolt
9	185-3692	2	Bolt
10	185-3689	1	Clamp.Cord
11	185-4885	1	Key.Woodruff
12	185-3349	1	Nut
13	185-3069	1	Washer.Plain
14	185-3179	1	Assy Case.Spiral
15	185-3185	1	Assy Lamp.Oil Watch
16	185-3035	1	Nut
17	185-3725	1	Label.ONAN
18	185-3720	1	Label.Caution
19	185-3107	1	Assy Switch.Stop
20	185-3199	1	Label.Speed
21	185-4057	1	Label.Japan
22	185-4069	1	Washer Lock.Toothed
23	185-3075	1	Gasket
24	185-3503	4	Bolt
25	185-4887	1	Cowling.Cylinder
26	185-3730	1	Bolt

## Recoil Starter



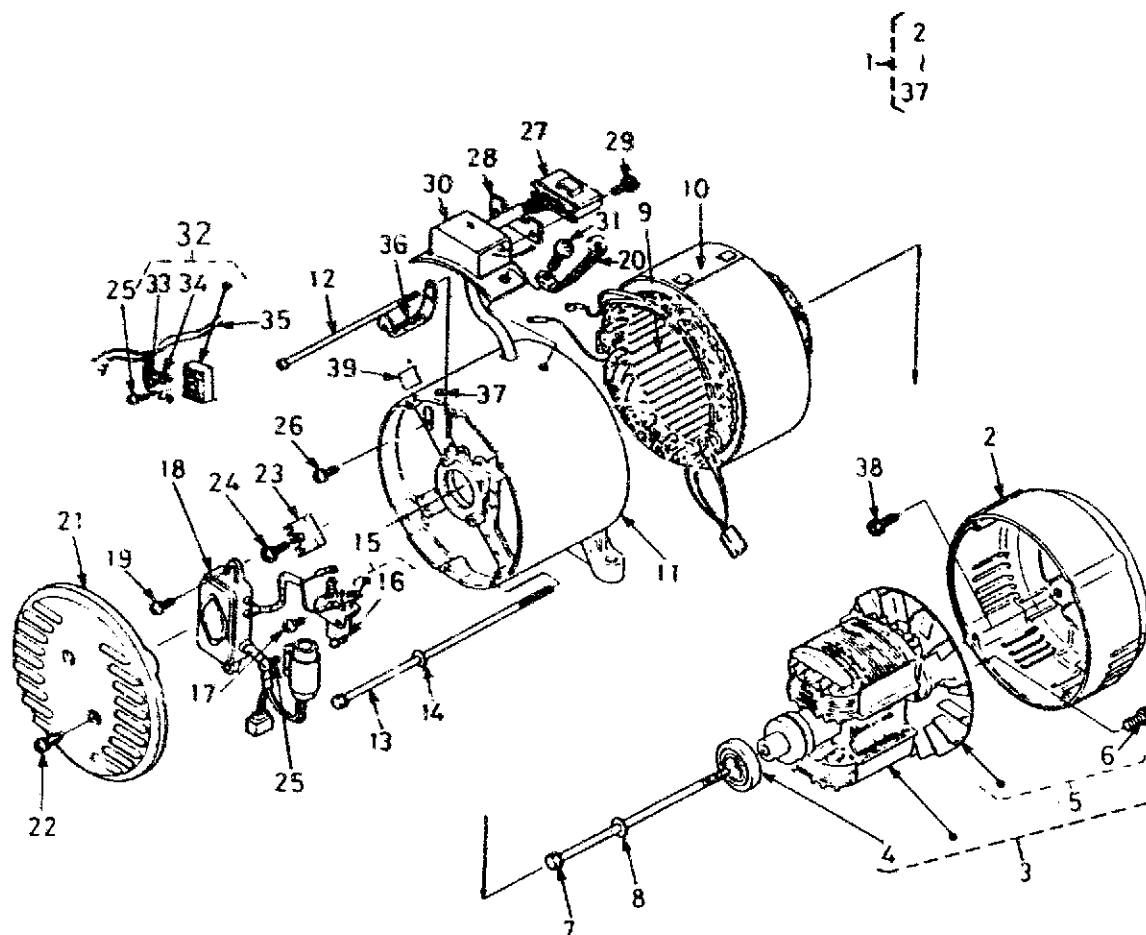
Ref. No.	Part No.	Qty. Used	Part Description
1	185-4969	1	Assy Starter.Recoil
2	185-4970	1	Assy Starter.Rec/Sub
3	185-4971	1	Case.Recoil Starter
4	185-3682	1	Reel
5	185-3684	1	Spring.Spiral
6	185-3683	1	Claw
7	185-3705	1	Spring
8	185-3686	1	Washer,Thrust
9	185-3685	1	Plate.Pressure
10	185-2380	1	Washer.Spring
11	185-3026	1	Nut
12	185-3681	1	Assy Rope
13	185-3687	1	Rope
14	185-3688	1	Handle
15	185-3108	1	Pulley,Start
16	185-3012	4	Bolt
17	185-4944	1	Label.Electronic

## Frame



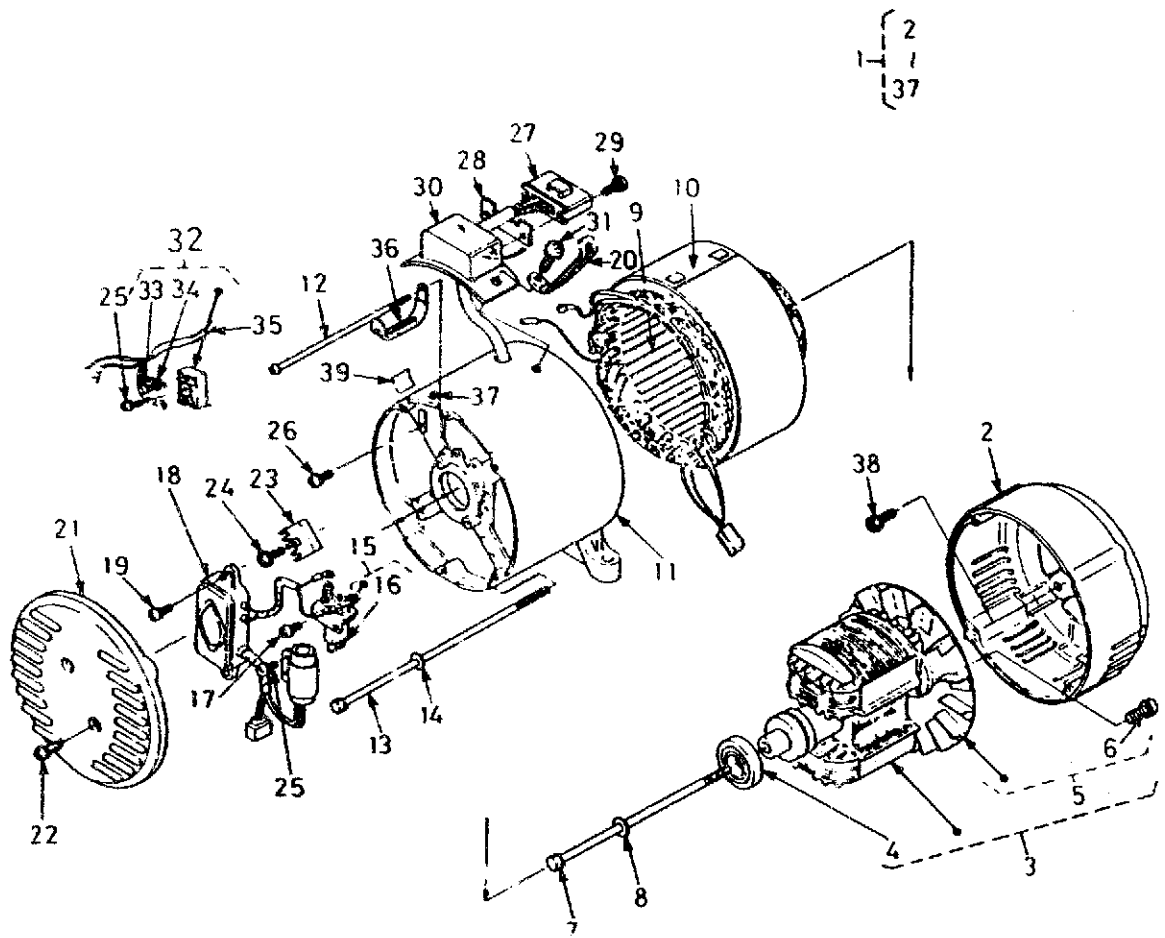
Ref. No.	Part No.	Qty. Used	Part Description
1	185-3941	1	Frame.Pipe
2	185-3946	1	Assy.Plate.Front
3	185-4476	1	Label
4	185-2399	4	Bolt
5	185-2366	2	Nut
6	185-2777	2	Washer.Plain
7	185-2381	2	Washer.Spring
8	185-4972	1	Base.Engine
9	185-3832	2	Rubber.Dust
10	185-3833	2	Rubber.Dust
11	185-2366	8	Nut
12	185-2777	3	Washer.Plain
13	185-2381	8	Washer.Spring
14	185-4071	1	Cord
15	185-4072	2	Washer.Lock.Toothed
16	185-3009	1	Bolt

# Generator



Ref. No.	Part No.	Qty. Used	Part Description
1	185-3947	1	Assy Generator
2	185-3840	1	Bracket.Front
3	185-3834	1	Assy Rotor
4	185-3099	1	Bearing.Ball
5	185-3835	1	Comp Fan
6	185-4616	3	Bolt
7	185-3836	1	Bolt.Center
8	185-2777	1	Washer.Plain
9	185-3948	1	Assy Stator
10	185-3943	1	Band.Cover
11	185-3945	1	Bracket.Rear
12	185-3855	2	Screw.Pan Head
13	185-3851	4	Bolt
14	185-2376	4	Washer.Plain
15	185-3843	1	Assy Holder.Brush
16	185-3844	2	Brush
17	185-2384	2	Screw.With Washer
18	185-3845	1	Assy Control
19	185-3052	2	Screw.With Washer
20	185-3846	1	Plate
21	185-3944	1	Cleaner.Cover
22	185-3852	2	Bolt
23	185-3920	1	Assy Diode
24	185-2385	1	Screw.With Washer
25	185-3053	3	Screw.With Washer
26	185-3918	1	Screw
27	185-3923	1	Coupler
28	185-3922	1	Plate.U
29	185-4010	2	Screw.With Washer
30	185-3919	1	Cover.Coupler

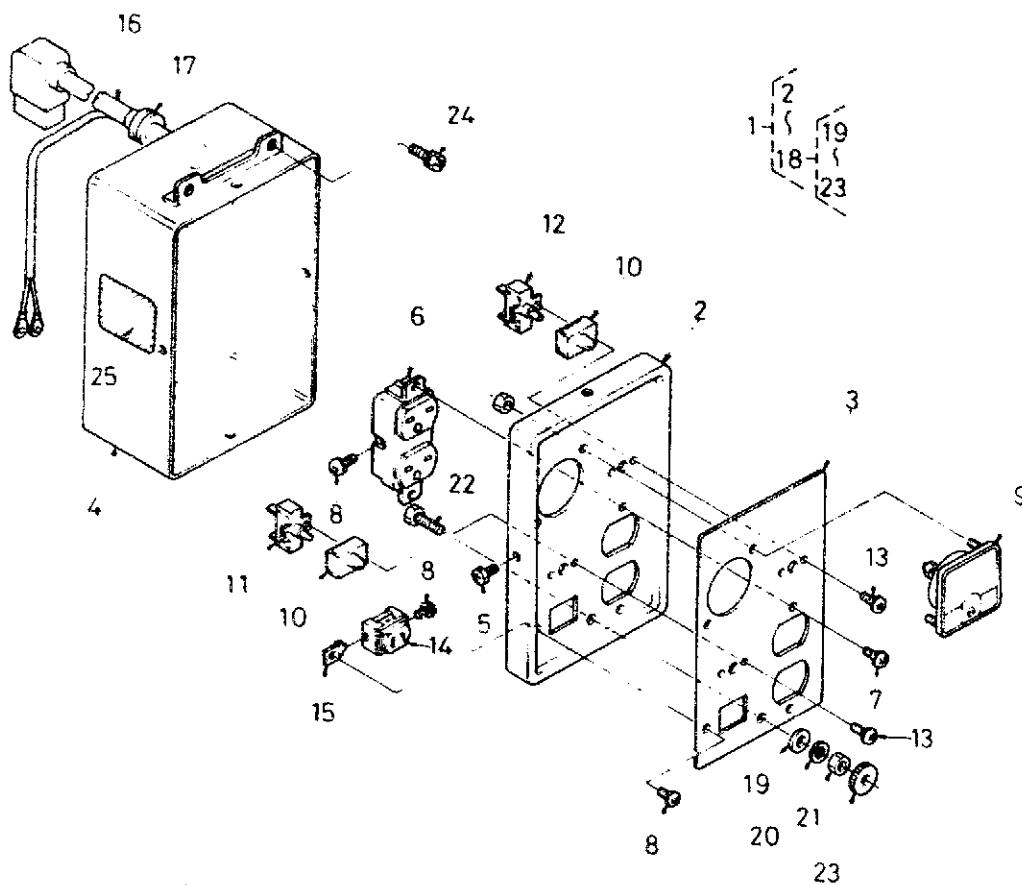
# Generator



Ref. No.	Part No.	Qty. Used	Part Description
31	185-2384	2	Screw With Washer
32	185-3706	1	Assy Terminal
33	185-3205	4	Screw
34	185-3070	4	Washer.Spring
35	185-4008	1	W Terminal Cord
36	185-4894	1	Plate
37	185-4070	1	Bushing.Rubber
38	185-4073	4	Bolt
39	185-3961	1	Label.Oil

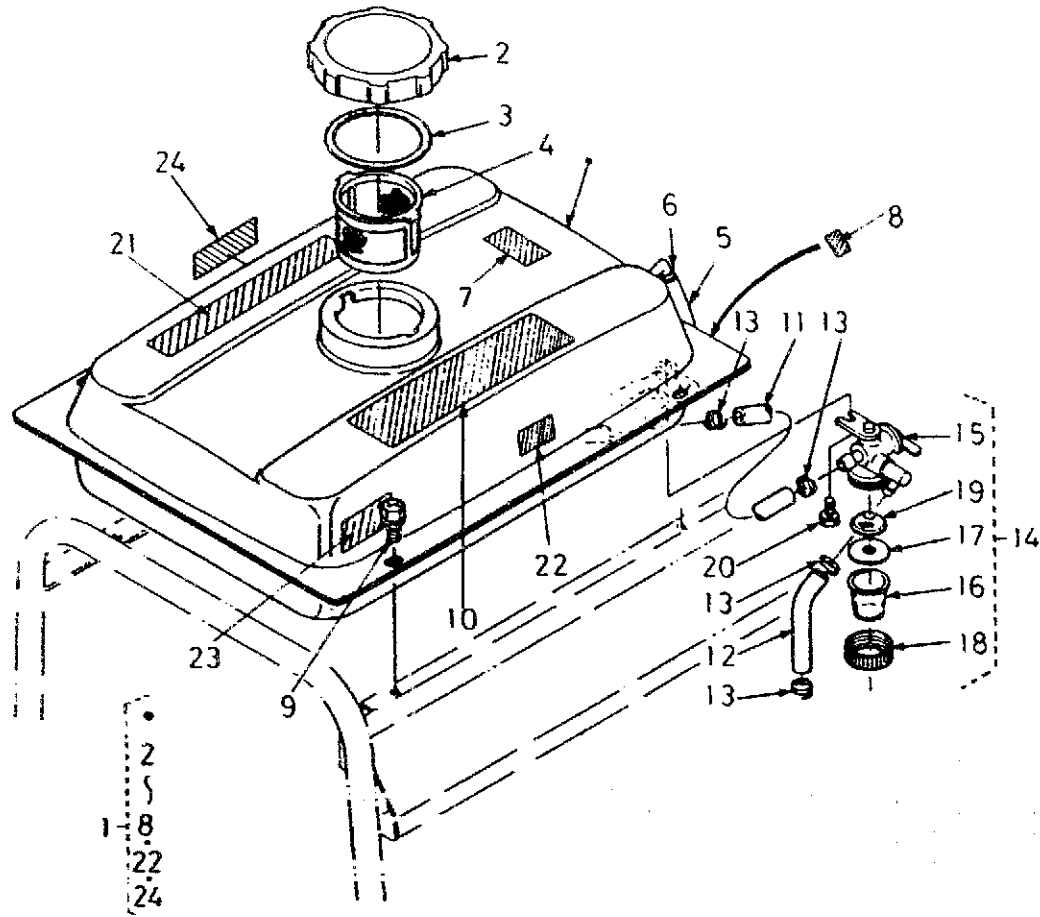


## Control Box



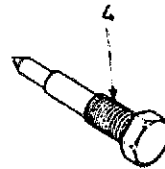
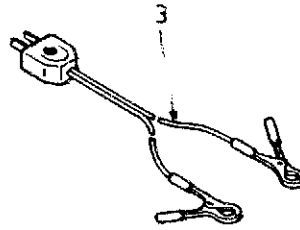
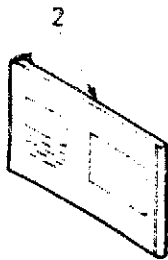
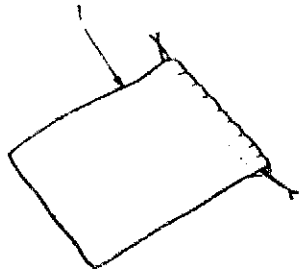
Ref. No.	Part No.	Qty. Used	Part Description
1	185-3987	1	Assy Box.Control
2	185-4973	1	Panel
3	185-3988	1	Plate.Panel
4	185-4974	1	Box.Wrench
5	185-3852	4	Bolt
6	185-4975	1	Receptacle
7	185-4301	3	Screw.Pan Head
8	185-3951	5	Screw.With Washer
9	185-4976	1	Bolt.Meter
10	185-4615	2	Cap
11	185-3952	1	Breaker.10A-Circuit
12	185-4853	1	Circuit.Breaker 12A
13	185-4010	4	Screw.With Washer
14	185-3921	1	Assy Receptacle
15	185-3849	1	Plate.S
16	185-3990	1	Wire Harness
17	185-3848	1	Bushing.Rubber
18	185-4052	1	Assy Terminal.Earth
19	185-2376	1	Washer.Plain
20	185-2380	1	Washer.Spring
21	185-3026	1	Nut
22	185-3850	1	Bolt
23	185-4053	1	Nut
24	185-3014	3	Bolt
25	185-4341	1	Label

## Fuel Tank



Ref. No.	Part No.	Qty. Used	Part Description
1	185-3178	1	Assy Tank.Fuel
2	185-3590	1	Cap.Fuel Tank
3	185-3591	1	Gasket
4	185-3592	1	Filter
5	185-3593	1	Gauge.Fuel
6	185-3594	2	Band.Pipe
7	185-4474	1	Label
8	185-4067	1	Label.Cock
9	185-3503	4	Bolt
10	185-3181	1	Label
11	185-3721	1	Pipe.Fuel
12	185-3401	1	Pipe.Fuel
13	185-3372	4	Clip.Fuel Pipe
14	185-3597	1	Assy Filter.Fuel
15	185-3598	1	Assy Body.Filter
16	185-3661	1	Pot.Filter
17	185-3662	1	Gasket
18	185-3459	1	Ring.Retainer
19	185-3460	1	Element.Filter
20	185-3015	1	Bolt
21	185-3950	1	Label.Generator
22	185-4351	1	Label
23	185-4977	1	Label.Cord
24	185-4978	1	Label.Caution

## Service Parts

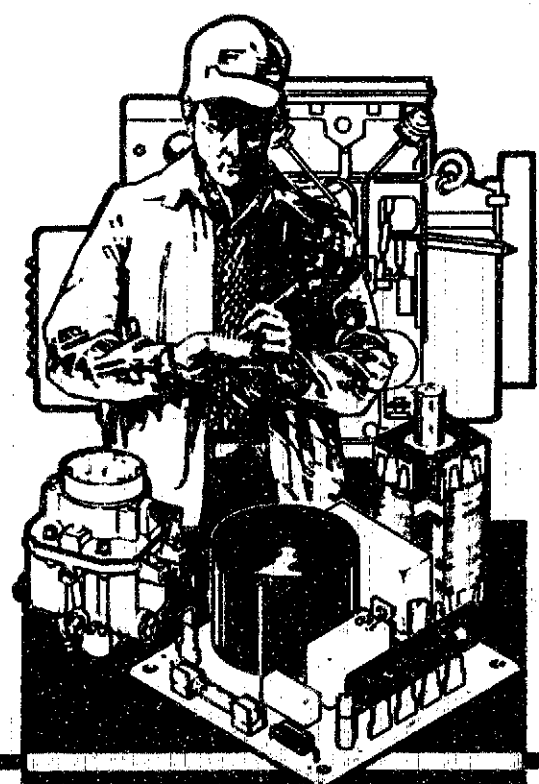


Ref. No.	Part No.	Qty. Used	Part Description
1	185-4079	1	Bag, Tools
2	185-4895	1	Manual, Instruction
3	185-4080	1	Assy DC-Cord
4	185-4979	1	Bolt, Rotor-Puller

---

# Onan

## Parts Manual 2.2 KM GenSet



Onan Service Parts

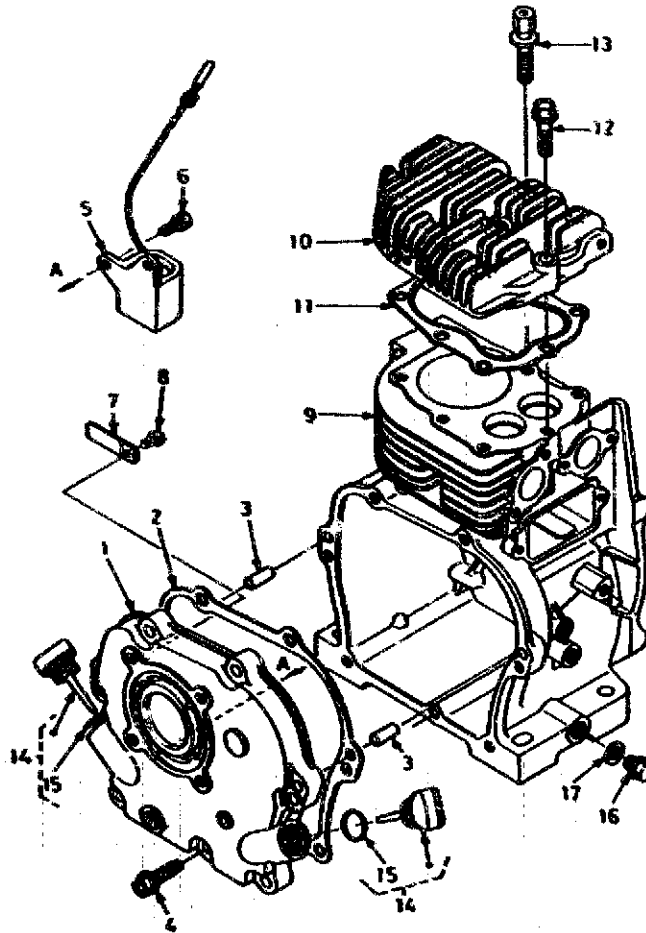
## INDEX

6	Bearing, Crankshaft	12	Holder Assy, Brush
13	Breaker, Circuit	13	Lamp Assy
5	Camshaft	7	Lever, Governor
15	Cap, Fuel Tank	9	Magneto
10	Carburetor	4	Muffler
3	Cleaner, Air	2	Pipe, Breather
9	Coil, Ignition	6	Piston
13	Control	7	Plate Assy, Speed Ctrl
16	Cord Assy, DC	1	Plug, Drain
6	Crankshaft	1	Plug, Oil
12	Diode Assy	9	Plug, Spark
3	Filter, Air	8	Pulley, Starter
9	Filter, Fuel	6	Ring Assy, Piston
11	Frame	6	Rod Assy, Connecting
2	Gasket, Breather	6	Rope, Start
3	Gasket, Carburetor Mtg	12	Rotor, Generator
1	Gasket, Crankcase	9	Rotor, Magneto
1	Gasket, Cylinder Head	8	Starter Assy, Recoil
15	Gasket, Fuel Tank	12	Stator, Generator
1	Gasket, Drain Plug	13	Switch Assy, Stop
15	Gauge, Fuel	15	Tank, Fuel
5	Gear, Camshaft	13	Unit Assy, Oil Watch
6	Gear, Crankshaft	2	Valve, Exhaust
12	Generator	2	Valve, Inlet
7	Governor	1	Watch Assy, Oil
2	Guide, Valve		

## Introduction

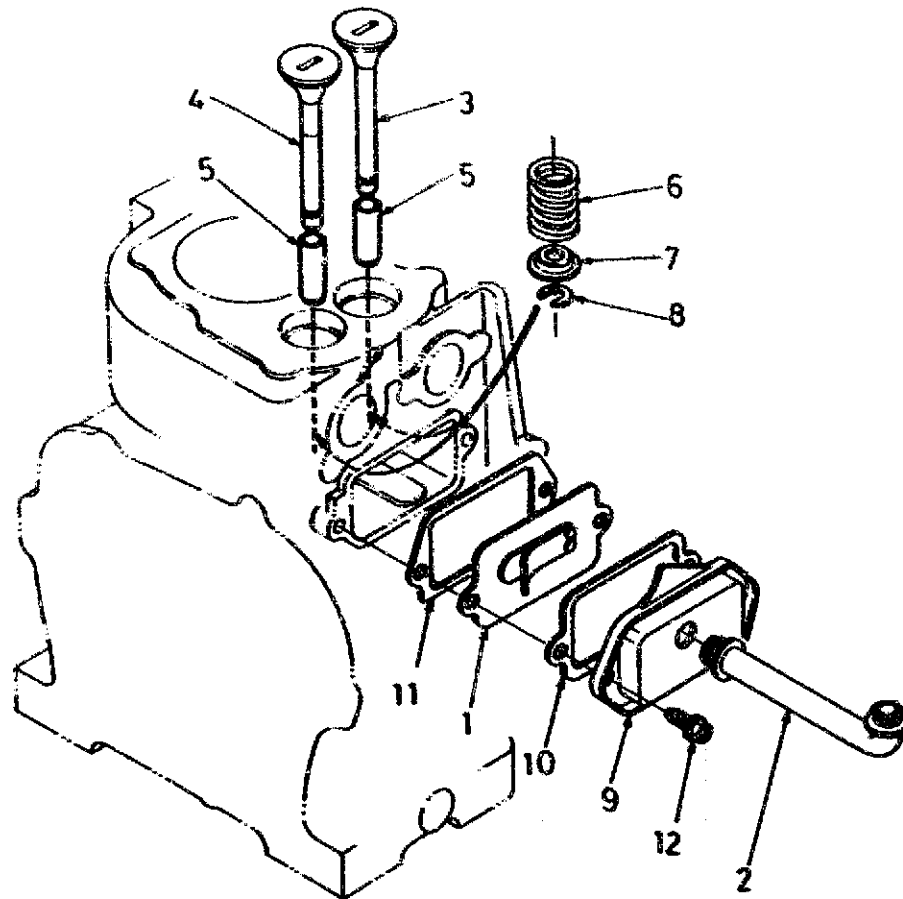
This catalog applies to the VM Generator Set. Parts are arranged in groups of related items and each illustrated part is identified by a reference number in the parts list. Unless otherwise mentioned in the description, parts are interchangeable between models. Parts illustrations are typical. Using the model and specification number from your generator set nameplate, select parts that apply to your set. Right and left sides are determined by facing the engine end (front) of the set.

## Cylinder



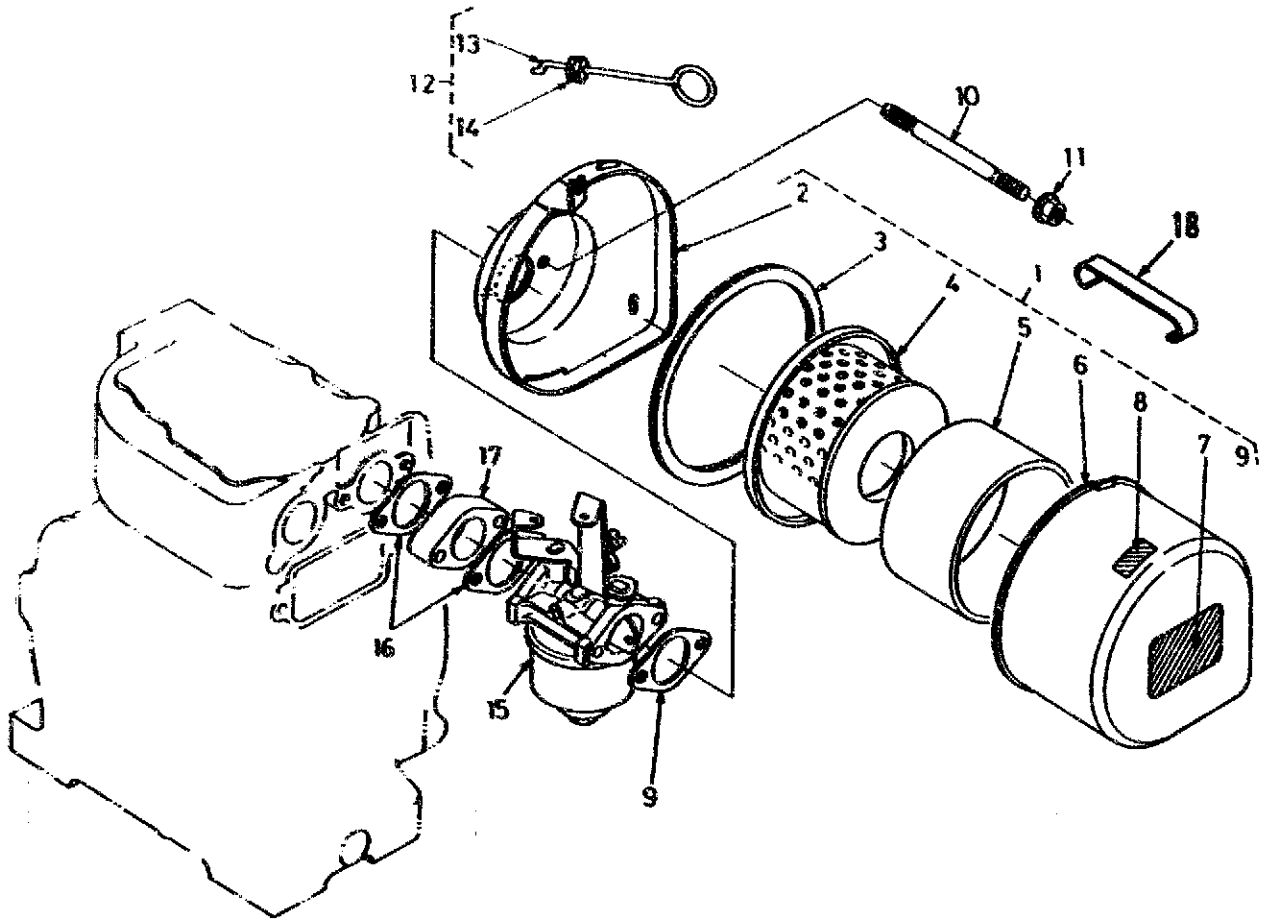
Ref. No.	Part No.	Qty. Used	Part Description
1	185-4927	1	Assy Crankcase
2	185-4512	1	Gasket,Crankcase
3	185-3175	2	Pin,Straight
4	185-3731	7	Bolt
5	185-3543	1	Assy Watch,Oil
6	185-3015	2	Bolt
7	185-4075	1	Clamp,Cord
8	185-4980	1	Screw,With Washer
9	185-4530	1	Comp.Cylinder
10	185-4570	1	Cylinder Head
11	185-4552	1	Gasket,Cylinder Head
12	185-4553	4	Bolt,Cylinder Head
13	185-4925	3	Bolt,Cylinder Head
14	185-3654	2	Assy Plug,Oil Filler
15	185-3078	2	Ring
16	185-3656	2	Plug,Drain
17	185-3077	2	Gasket

## Breather



Ref. No.	Part No.	Qty. Used	Part Description
1	185-3351	1	Assy Breather
2	185-4567	1	Pipe.Breather
3	185-4501	1	Valve.Inlet
4	185-4569	1	Valve.Exhaust
5	185-4541	2	Guide.Inlet Valve
6	185-3242	2	Spring.Valve
7	185-3166	2	Retainer.Valve Sp.
8	185-3171	2	Collet.Valve Spring
9	185-4502	1	Cover.Tappet Case
10	185-3353	1	Gasket
11	185-4496	1	Gasket
12	185-3692	2	Bolt

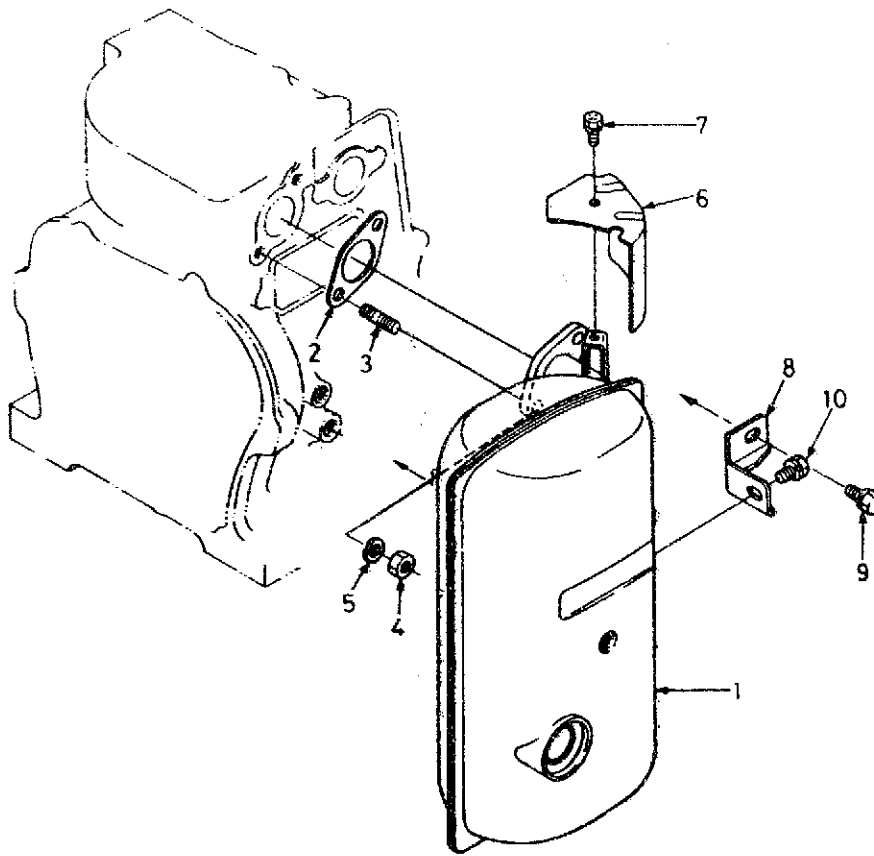
## Air Cleaner



Ref. No.	Part No.	Qty. Used	Part Description
1	185-4981	1	Cleaner Assv. Air
2	185-4572	1	Body. Air Cleaner
3	185-3584	1	Plate
4	185-3201	1	Element Assv
5	185-3583	1	Sponge. Air Cleaner
6	185-3608	1	Cover. Air Cleaner
7	185-3607	1	Label. Air Cleaner
8	185-3722	1	Mark. Choke
9	185-3709	1	Gasket. Air Cleaner
10	185-4550	2	Stud
11	185-3697	2	Nut
12	185-4982	1	Rod Assv. Choke
13	185-4484	1	Rod. Choke
14	185-3519	1	Cushion. Choke Rod
15	185-4479	1	Carburetor Assv
16	185-3672	1	Gasket
17	185-4505	1	Flange. Carburetor
18	185-5091	1	Clip. Air Cleaner

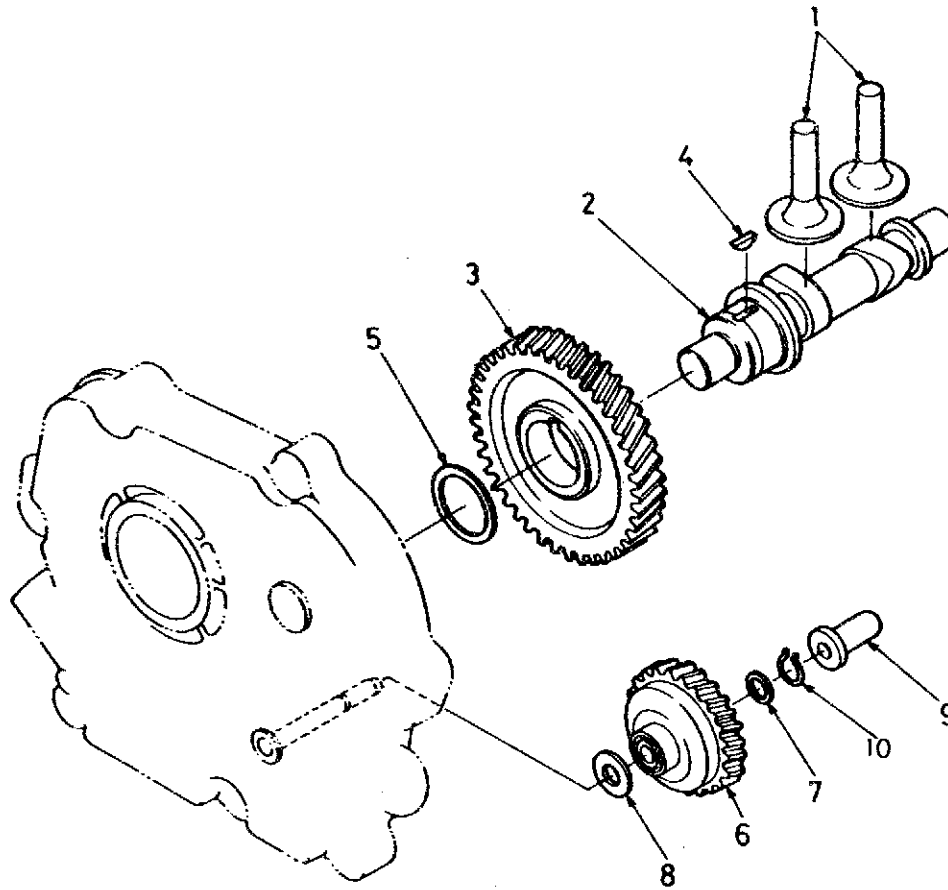


# Muffler



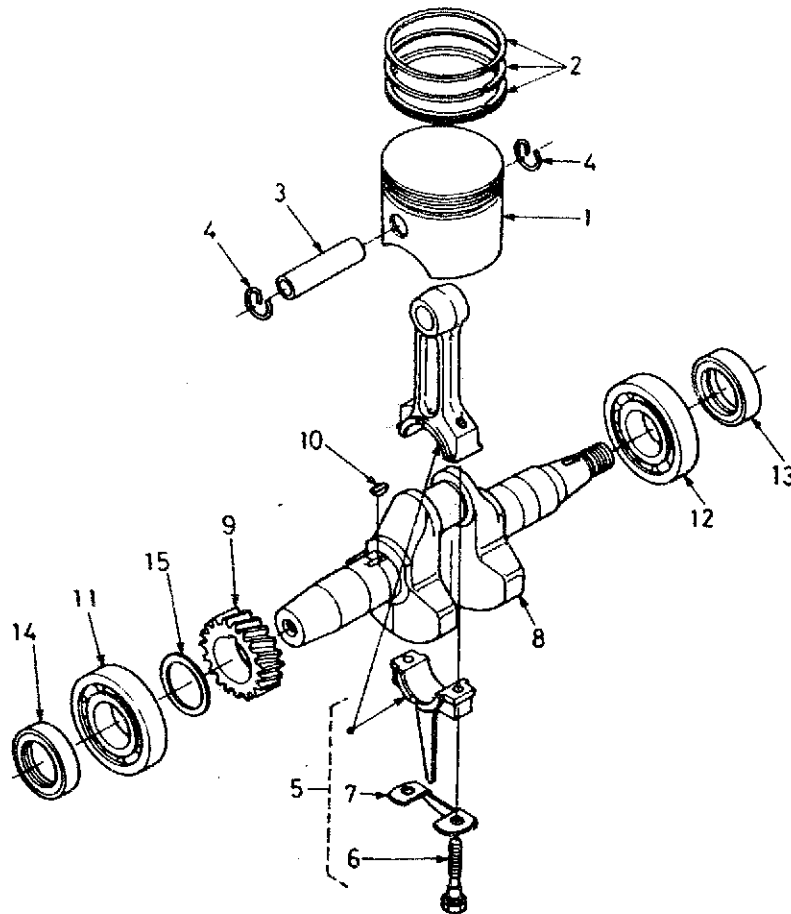
Ref. No.	Part No.	Qty. Used	Part Description
1	185-4983	1	Comp.Muffler
2	185-4554	1	Gasket,Muffler
3	185-4568	2	Stud
4	185-2366	2	Nut
5	185-2381	2	Washer, Spring
6	185-4477	1	Cover,Muffler Flange
7	185-3014	2	Bolt
8	185-4924	1	Stay,Muffler
9	185-3421	1	Bolt
10	185-3009	1	Bolt

## Camshaft



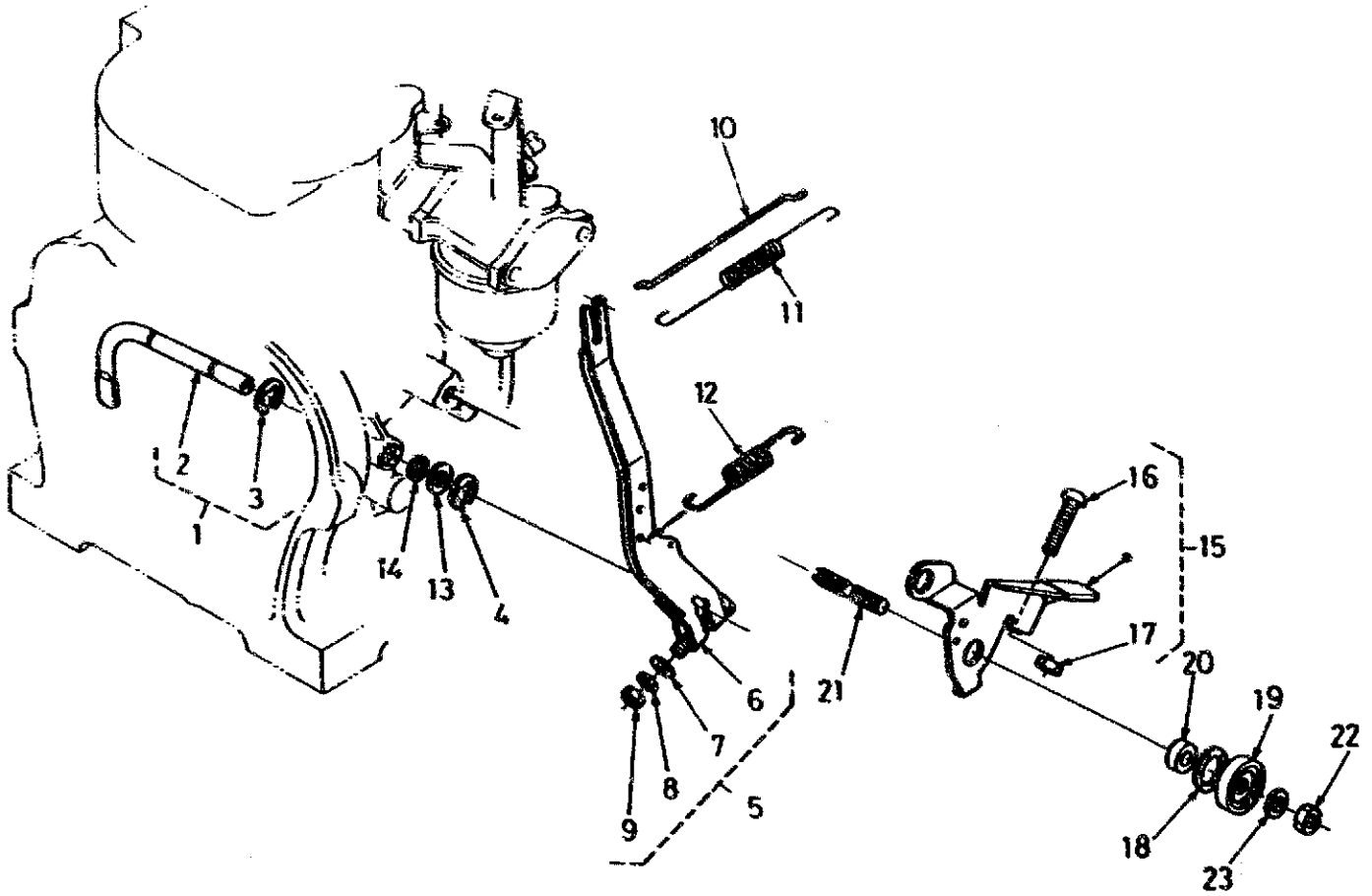
Ref. No.	Part No.	Qty. Used	Part Description
1	185-3354	2	Tappet
2	185-4526	1	Camshaft
3	185-4546	1	Gear,Camshaft
4	185-3389	1	Key,Woodruff
5	185-4551	1	Shim,Camshaft
5	185-3399	1	Shim,Camshaft
5	185-3393	1	Shim,Camshaft
5	185-3394	1	Shim,Camshaft
5	185-3392	1	Shim,Camshaft
5	185-3395	1	Shim,Camshaft
5	185-3396	1	Shim,Camshaft
5	185-3397	1	Shim,Camshaft
5	185-3398	1	Shim,Camshaft
6	185-3674	1	Comp.Gear,Governor
7	185-3484	1	Washer
8	185-3485	1	Washer
9	185-3675	1	Sleeve,Governor
10	185-3487	1	Stopper

## Piston & Crankshaft



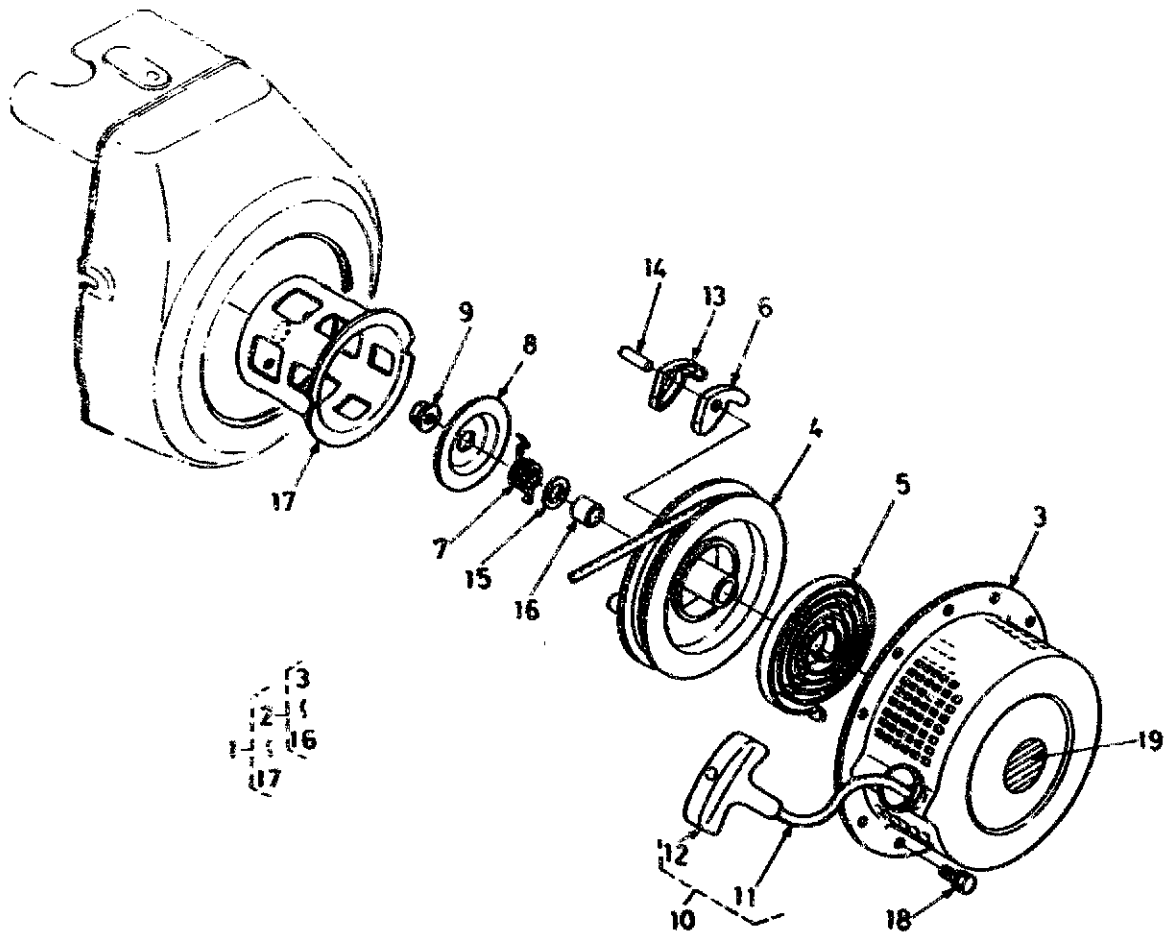
Ref. No.	Part No.	Qty. Used	Part Description
1	185-4533	1	Piston
1	185-4534	1	Piston (+0.5mm)
2	185-4531	1	Assy Piston Ring
2	185-4532	1	Assy Piston Ring (+0.5mm)
3	185-4555	1	Pin,Piston
4	185-3416	2	Cir-Clip,Internal
5	185-4535	1	Assy Connecting Rod
6	185-3127	2	Bolt,Connecting Rod
7	185-3363	1	Washer,Rod Bolt
8	185-4478	1	Crankshaft
9	185-4548	1	Gear,Crankshaft
10	185-3389	1	Key,Woodruff
11	185-3094	1	Bearing,Ball
12	185-3096	1	Bearing,Ball
13	185-3100	1	Seal,Oil
14	185-4513	1	Seal,Oil
15	185-4547	1	Shim,Crankshaft
15	185-3371	1	Shim,Crankshaft
15	185-3366	1	Shim,Crankshaft
15	185-3367	1	Shim,Crankshaft
15	185-3365	1	Shim,Crankshaft
15	185-3368	1	Shim,Crankshaft
15	185-3370	1	Shim,Crankshaft
15	185-3369	1	Shim,Crankshaft

## Governor



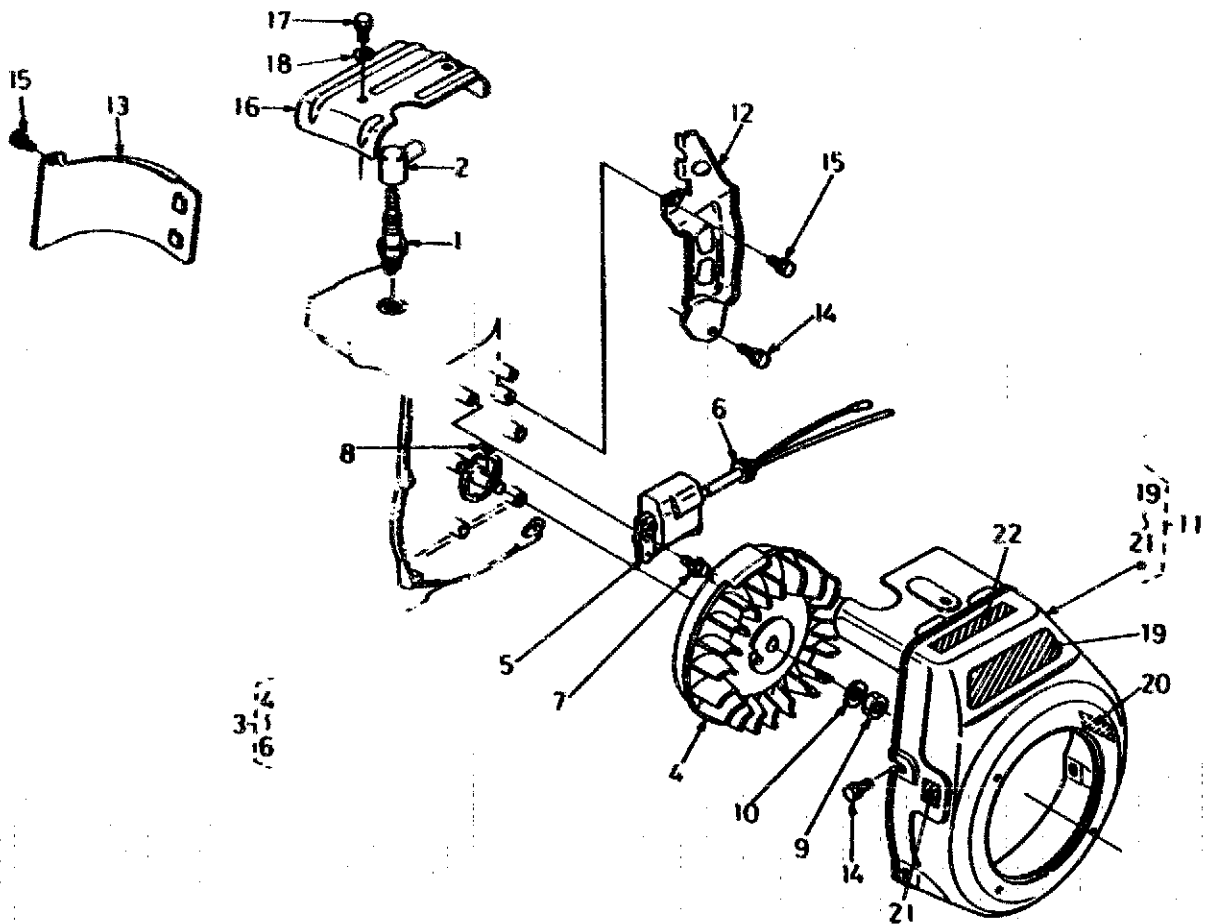
Ref. No.	Part No.	Qty. Used	Part Description
1	185-4984	1	Assy Shaft,Governor
2	185-4549	1	Shaft,Governor-Lever
3	185-3072	1	Cir-Clip,External
4	185-3072	1	Cir-Clip,External
5	185-4985	1	Assy Lever,Governor
6	185-4515	1	Lever,Governor
7	185-2376	1	Washer,Plain
8	185-2380	1	Washer,Spring
9	185-3026	1	Nut
10	185-4566	1	Rod,Governor Joint
11	185-4483	1	Spring
12	185-4516	1	Spring,Governor
13	185-2376	1	Washer,Plain
14	185-3679	1	Gasket
15	185-4986	1	Comp.Lever,Control
16	185-4987	1	Screw,Pan Head
17	185-3026	1	Nut
18	185-3566	1	Washer,Spring
19	185-4499	1	Plate,Pressure
20	185-4498	1	Collar
21	185-3801	1	Stud
22	185-2366	1	Nut
23	185-2381	1	Washer,Spring

## Recoil Starter



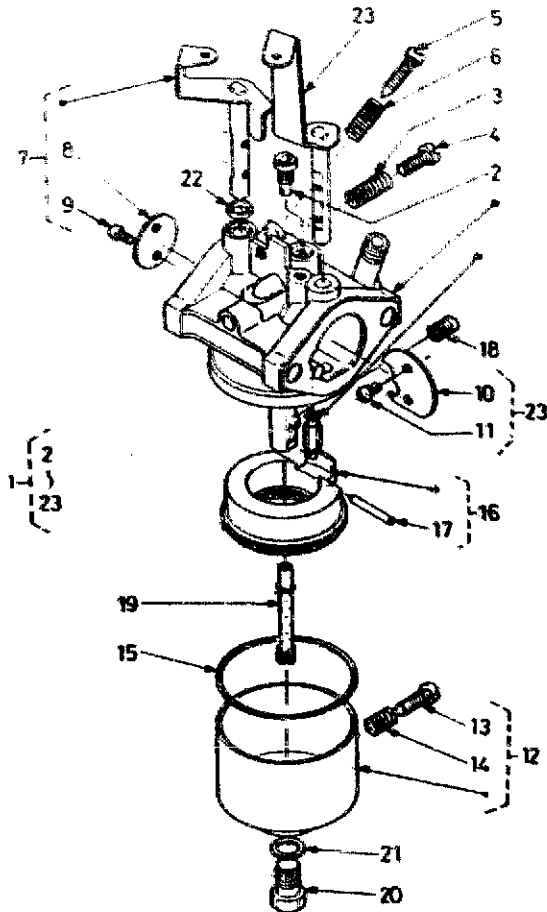
Ref. No.	Part No.	Qty. Used	Part Description
1	185-4485	1	Assy Starter.Recoil
2	185-4486	1	Assy Starter.Rec/Sub
3	185-4487	1	Case.Recoil Starter
4	185-4509	1	Reel
5	185-4518	1	Spring,Spiral
6	185-4510	1	Rawl
7	185-4511	1	Spring,Friction
8	185-4521	1	Plate,Friction
9	185-4524	1	Nut
10	185-4517	1	Assy Rope
11	185-3687	1	Rope
12	185-4523	1	Knob,Starter
13	185-4520	1	Rawl
14	185-4525	1	Pin
15	185-4522	1	Washer,Thrusy
16	185-4519	1	Shaft,Sub
17	185-4527	1	Pulley,Start
18	185-3013	4	Bolt
19	185-4988	1	Label,Electronic

# Magneto



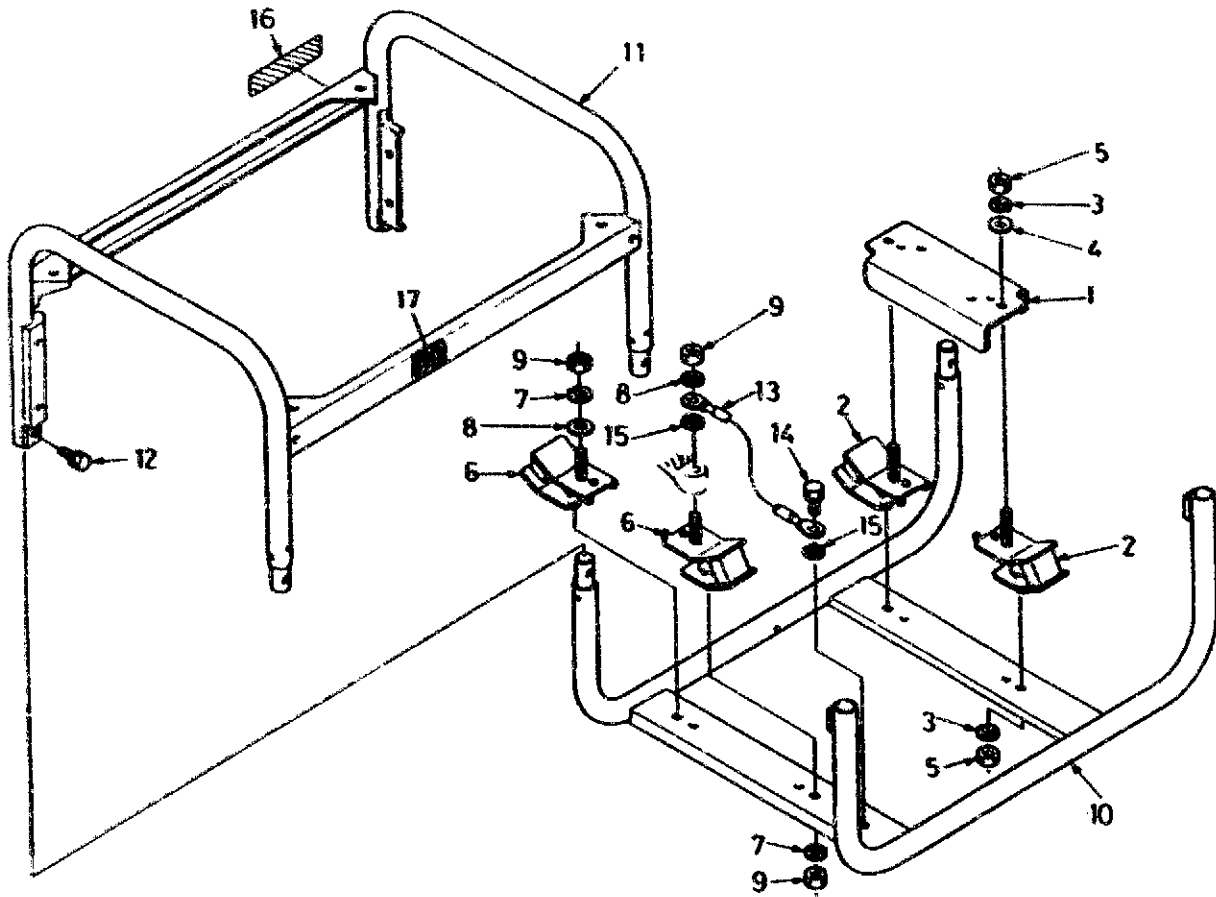
Ref. No.	Part No.	Qty. Used	Part Description
1	185-4540	1	Spark Plug
2	185-3729	1	Cap.Spark Plug
3	185-4488	1	Assy Magneto
4	185-4528	1	Comp.Rotor
5	185-4489	1	Assy Stator
6	185-4490	1	Grommet
7	185-4543	2	Bolt
8	185-3088	1	Key.Woodruff
9	185-3032	1	Nut
10	185-4915	1	Washer.Plain
11	185-4989	1	Assy Case,spiral
12	185-4492	1	Cover,Fan
13	185-4536	1	Cowling.Cylinder
14	185-3503	4	Bolt
15	185-3730	1	Bolt
16	185-4493	1	Cover.Wind Guide
17	185-3013	3	Bolt
18	185-2376	3	Washer.Plain
19	185-4990	1	Label.Onan
20	185-4057	1	Label.Japan
21	185-3199	1	Label.Speed
22	185-4473	1	Label.Caution

# Carburettor



Ref. No.	Part No.	Qty. Used	Part Description
1	185-4479	1	Assy Carburettor
2	185-4514	1	Pilot Jet
3	185-4556	1	Spring
4	185-4557	1	Screw.Idle
5	185-4539	1	Screw.Pilot
6	185-3245	1	Spring
7	185-4504	1	Assy Shaft.Throttle
8	185-4503	1	Valve.Throttle
9	185-4558	2	Screw
10	185-4481	1	Valve.Choke
11	185-4559	1	Screw
12	185-4560	1	Assy Body.Chamber
13	185-4564	1	Screw.Drain
14	185-4563	1	Spring
15	185-4561	1	Gasket
16	185-4571	1	Assy Float
17	185-4562	1	Pin.Float
18	185-4500	1	Main Jet
19	185-4480	1	Nozzle.Main
20	185-4497	1	Bolt
21	185-4506	1	Gasket
22	185-4565	1	Seal
23	185-4482	1	Assy Shaft.Choke

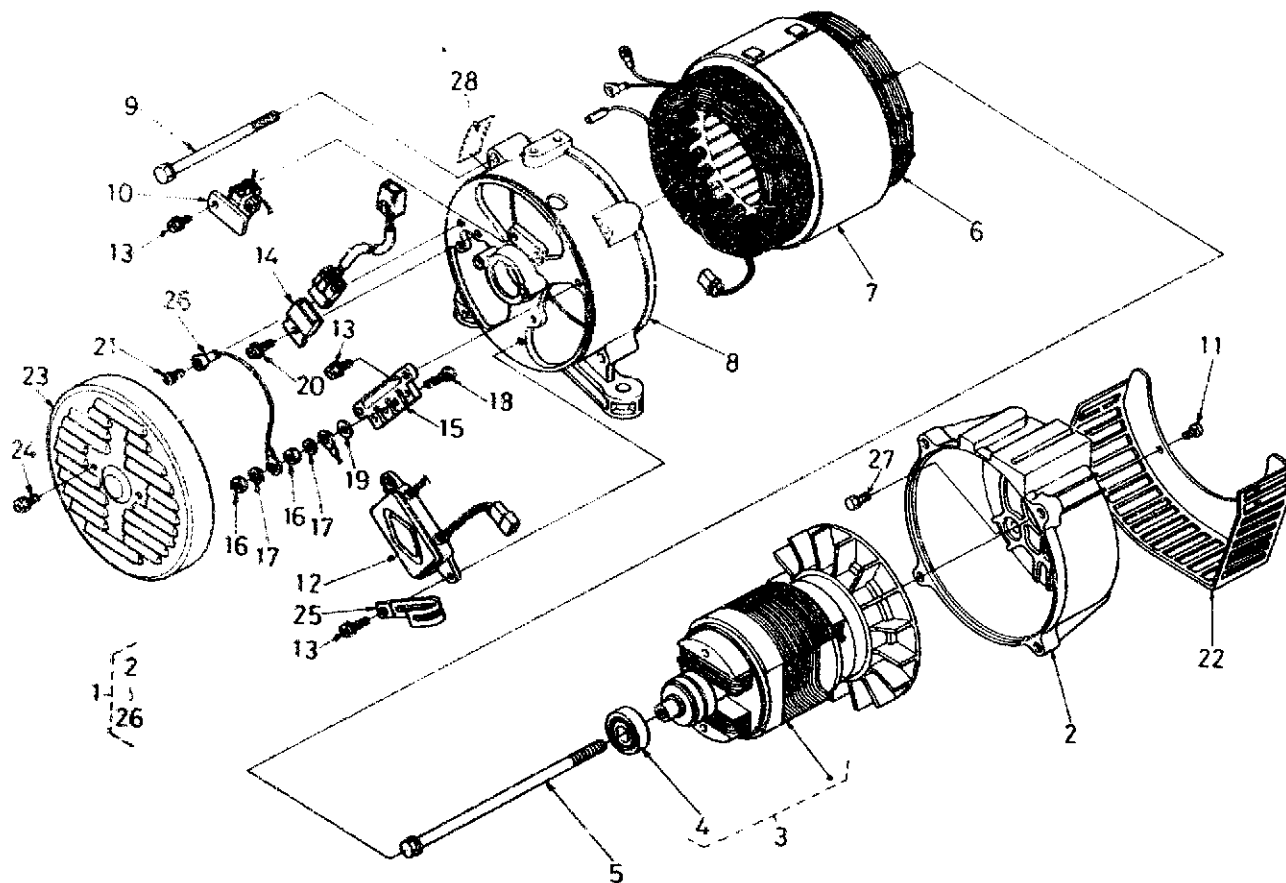
# Frame



Ref. No.	Part No.	Qty. Used	Part Description
1	185-4577	1	Base.Engine
2	185-4578	2	Cushion
3	185-2381	4	Washer.Spring
4	185-2777	2	Washer.Plain
5	185-2366	4	Nut
6	185-4608	2	Cushion
7	185-2381	3	Washer.Spring
8	185-2777	2	Washer.Plain
9	185-2366	4	Nut
10	185-4991	1	Comp Frame.Pipe
11	185-4992	1	Comp Frame.Pipe
12	185-4073	4	Bolt
13	185-4610	1	Cord
14	185-3009	1	Bolt
15	185-4072	2	Washer.Lock.Toothed
16	185-4348	1	Label.Caution
17	185-4351	1	Label

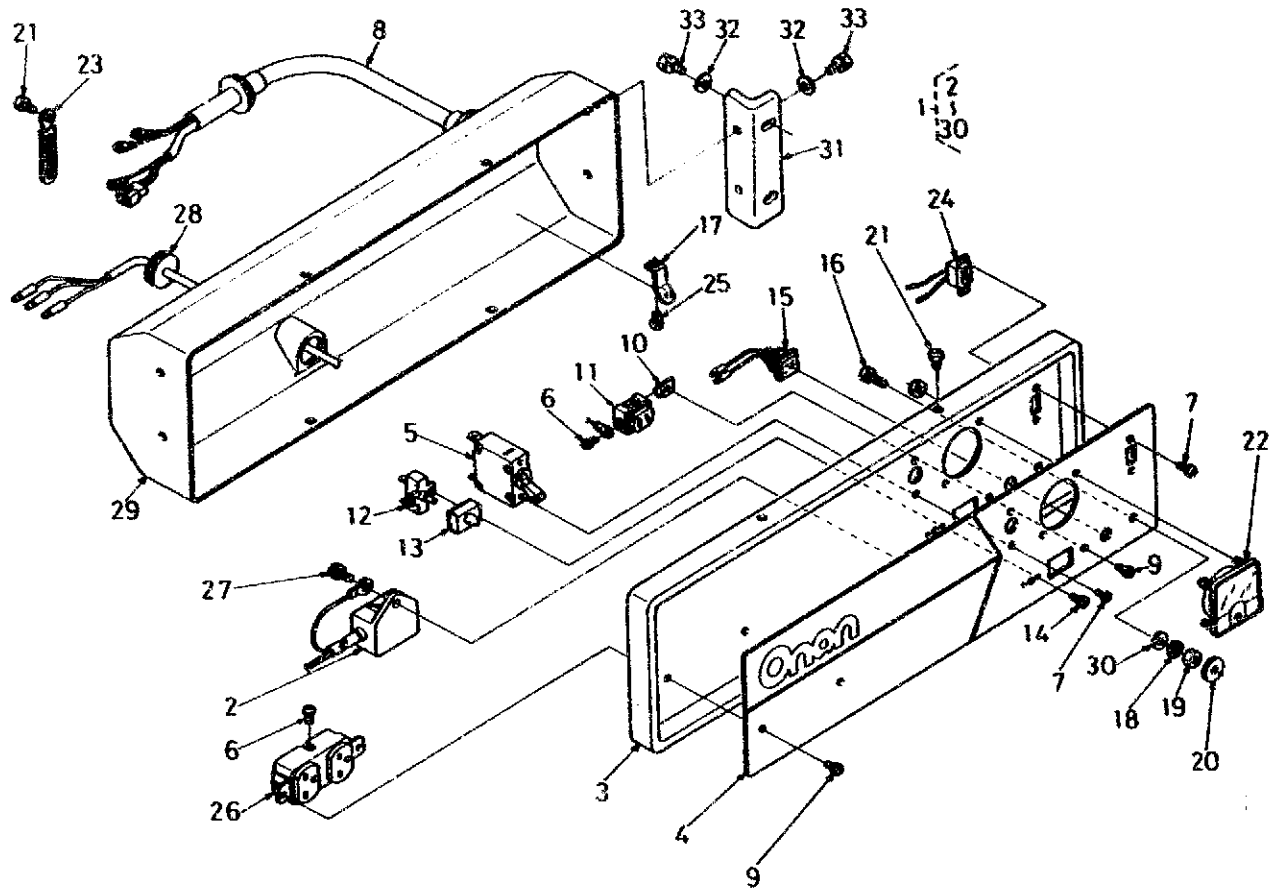


# Generator



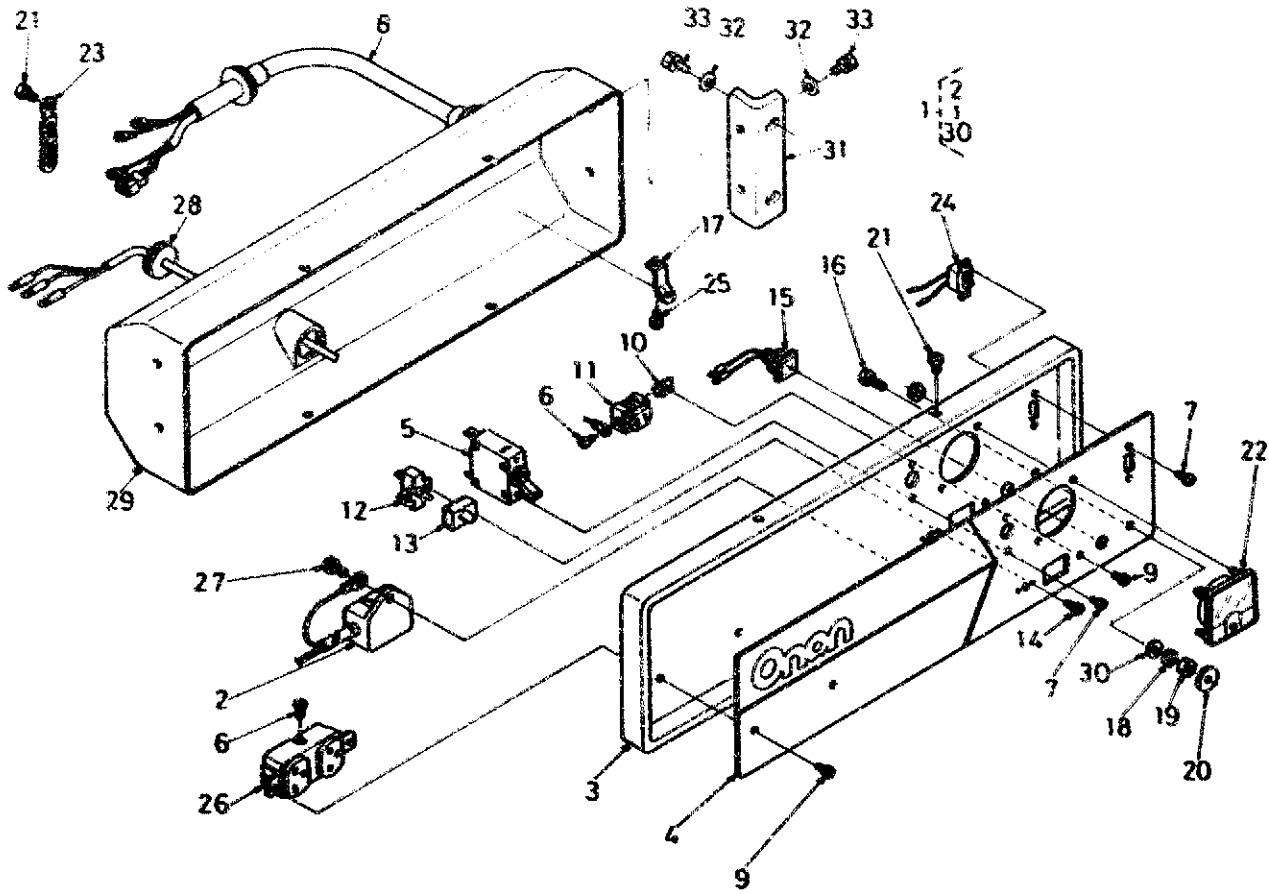
Ref. No.	Part No.	Qty. Used	Part Description
1	185-4993	1	Assy Generator
2	185-4994	1	Bracket,Front
3	185-4995	1	Assy Rotor
4	185-4996	1	Bearing,Ball
5	185-4997	1	Bolt
6	185-4998	1	Assy Stator
7	185-4999	1	Band,Cover
8	185-5000	1	Bracket,Rear
9	185-5001	4	Bolt
10	185-4849	1	Assy Holder,Brush
11	185-5003	2	Screw,With Washer
12	185-5004	1	Assy Control
13	185-4616	5	Bolt
14	185-5005	1	Diode
15	185-5006	1	Assy Terminal
16	185-3854	4	Nut
17	185-5007	4	Washer,Spring
18	185-3853	2	Bolt
19	185-3864	2	Washer,Plain
20	185-5008	1	Screw
21	185-3153	1	Screw
22	185-5009	1	Plate
23	185-5010	1	Cleaner,Cover
24	185-3852	2	Bolt
25	185-3846	1	Plate
26	185-5011	1	W Terminal Cord
27	185-2403	4	Bolt
28	185-3961	1	Label,Oil

## Control Box



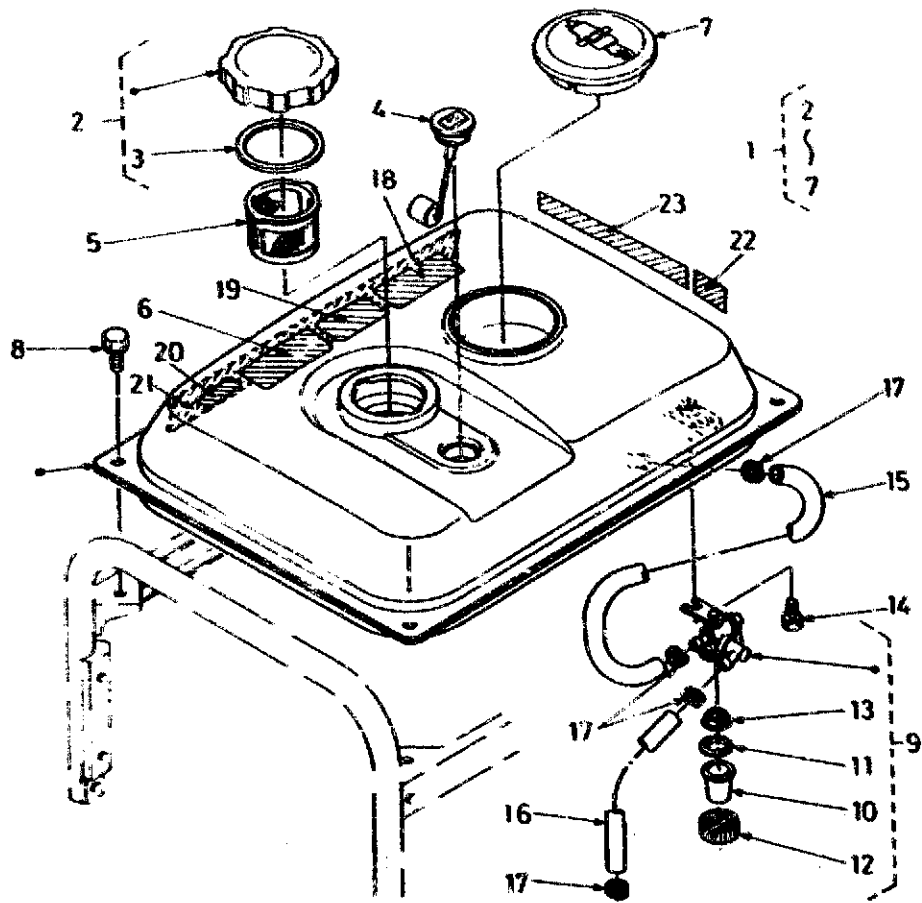
Ref. No.	Part No.	Qty. Used	Part Description
1	185-5012	1	Assy Box.Control
2	185-4599	1	Assy Unit.Oil Watch
3	185-5013	1	Panel
4	185-5014	1	Plate.Panel
5	185-5015	1	Breaker
6	185-3951	5	Screw.With Washer
7	185-4620	4	Screw.Pan Head
8	185-5016	1	Wire Harness
9	185-4301	3	Screw.Pan Head
10	185-3849	1	Plate.S
11	185-3921	1	Assy Receptacle
12	185-5017	1	Breaker.Circuit
13	185-4615	1	Cap
14	185-4913	2	Screw.Pan Head
15	185-4596	1	Assy Lamp
16	185-3850	1	Bolt
17	185-4593	1	Holder
18	185-2380	1	Washer.Spring
19	185-3026	1	Nut
20	185-4053	1	Nut
21	185-4603	5	Bolt
22	185-4976	1	Volt Meter
23	185-3846	1	Plate
24	185-5018	1	Switch
25	185-4602	1	Screw.With Washer
26	185-4975	1	Receptacle
27	185-4604	1	Screw
28	185-4600	1	Grommet
29	185-4588	1	Cover
30	185-2376	1	Washer.Plain

# Control Box



Ref. No.	Part No.	Qty. Used	Part Description
31	185-4609	1	Holder.Control
32	185-4921	6	Washer.Plain
33	185-2386	6	Bolt

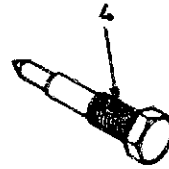
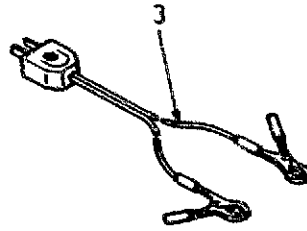
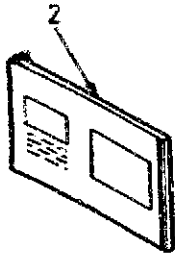
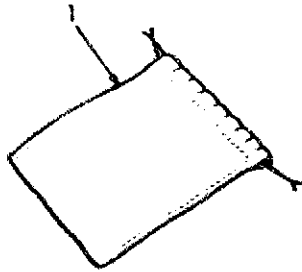
## Fuel Tank



Ref. No.	Part No.	Qty. Used	Part Description
1	185-5019	1	Assy Tank,Fuel
2	185-4507	1	Assy Cap,Fuel Tank
3	185-4508	1	Gasket,Tank Cap
4	185-4611	1	Assy Gauge,Fuel
5	185-3392	1	Filter
6	185-4474	1	Label
7	185-4542	1	Cover,Spark Plug
8	185-3503	4	Bolt
9	185-4598	1	Assy Filter,Fuel
10	185-3661	1	Pot,Filter
11	185-3662	1	Gasket
12	185-3459	1	Ring,Retainer
13	185-3460	1	Element,Filter
14	185-4468	1	Bolt
15	185-3401	1	Pipe,Fuel
16	185-4538	1	Pipe,Fuel
17	185-3372	4	Clip,Fuel Pipe
18	185-5020	1	Label
19	185-4341	1	Label
20	185-5021	1	Label,Cord
21	185-5022	1	Label
22	185-4067	1	Label,Cock
23	185-5023	1	Label,Generator



## Service Parts



Ref. No.	Part No.	Qty. Used	Part Description
1	185-4079	1	Bag, Tools
2	185-5024	1	Manual, Instruction
3	185-4080	1	Assy DC-Cord
4	185-5025	1	Bolt, Rotor-Puller