

Onan

Commercial Mobile Power



Accessories & Service Support Catalog



Commercial Mobile Accessories & Service Support Catalog

Table of Contents

Commercial Mobile Generator Accessories Warranty Information	2
Commercial Mobile Model Designation Chart	3
Commercial Mobile Generator Accessories	8
CME, CMM and CMM EFI Series (HGJAF 5500, 7000; HGJAE 5500, 7000; HGJAD 5500, 7000) Accessories	8
MicroLite™ KV (KV 2000, 2300, 2500, 2800) Accessories.....	13
MicroLite™ KY (KY 3300, 3600) and MicroQuiet™ 4000 Accessories	15
Commercial Emerald™ (BGD 4000, 4500 and NHD 5000, 6500) Accessories	16
Marquis™ (BGM 5500 and NHM 6500, 7000) Accessories	19
General Gasoline and LP Accessories	22
CMSD Series (HDKAS, AL, AG) Accessories	24
CMQD (HDKAT, HDCAC, HDCAD) Accessories	29
Protec PTO Accessories	32
CMHG Series (RBAA 6000, 8000) Accessories	32
Special Components	33
Installation Templates.....	34
Service and Maintenance Chemical and Oils	35
Commercial Mobile GenSet Parts.....	36
Commercial Mobile Service Support Literature	38
Manuals	38
Specification Sheets	38
Miscellaneous Service Support Literature.....	39
Index of Accessories by Model.....	41
Index of Accessories by Part Number	42

The Onan Commercial Mobile Generator Accessories guide is a catalog listing of available Commercial Mobile GenSet accessories. For proper application and installation of these accessories, refer to the appropriate Commercial Mobile GenSet installation manual listed on page 38.

COMMERCIAL MOBILE GENERATOR ACCESSORIES WARRANTY INFORMATION

In testimony to the confidence Onan has in our machines and our service distributor/dealers, Onan Commercial Mobile GenSets are backed by a comprehensive, limited warranty and a free 90-day adjustment policy. A 3-year extended warranty is also available on select models. See the express, written limited warranty that accompanies the GenSet for details.

All Commercial Mobile accessories that are purchased at the time of the Commercial Mobile GenSet purchase will have the same express, limited warranty as the Commercial Mobile GenSet. If a Commercial Mobile accessory is purchased separately, i.e., not purchased with a Commercial Mobile GenSet, then the accessory has the same express, limited warranty as an Onan spare part, which is 90 days.

For more details on Onan warranty, contact your Onan distributor/dealer.

THERE ARE NO OTHER WARRANTIES, EXPRESS OR IMPLIED, INCLUDING NO WARRANTIES OF FITNESS FOR PARTICULAR PURPOSE, OR MERCHANTABILITY. IN NO CASE WILL ONAN BE LIABLE FOR INCIDENTAL OR CONSEQUENTIAL DAMAGES.

Commercial Mobile Model Designation Chart



CME, CMM and CMM EFI Series (U.S. and Canadian Models)

	Watts	Phase	Fuel	Volts/Freq	Circuit Breaker	Features
5.5 HGJAD-2138A	5500	1	Gasoline	120V - 60 Hz	30 Amp, 2 pole	EFI, Self diagnostics Digital voltage regulation Electronic governor
5.5 HGJAD-2243A*	5500	1	Gasoline	120V - 60 Hz	30 Amp, 2 pole	
5.5 HGJAD-2140A	5500	1	Gasoline	120/240V - 60 Hz	30 Amp, 2 pole	
5.5 HGJAD-1911A*	5500	1	Gasoline	120/240V - 60 Hz	30 Amp, 2 pole	
5.5 HGJAD-2557A**	5500	1	Gasoline	120/240V - 60 Hz	30 Amp, 2 pole	
5.5 HGJAD-2142A	5500	3	Gasoline	120/240V - 60 Hz	18 Amp, 3 pole	
7 HGJAD-2139A	7000	1	Gasoline	120V - 60 Hz	30 Amp, 2 pole	EFI, Self diagnostics Digital voltage regulation Electronic governor
7 HGJAD-2244A*	7000	1	Gasoline	120V - 60 Hz	30 Amp, 2 pole	
7 HGJAD-2141A	7000	1	Gasoline	120/240V - 60 Hz	30 Amp, 2 pole	
7 HGJAD-1910A*	7000	1	Gasoline	120/240V - 60 Hz	30 Amp, 2 pole	
7 HGJAD-2559A**	7000	1	Gasoline	120/240V - 60 Hz	30 Amp, 2 pole	
7 HGJAD-2143A	7000	3	Gasoline	120/240V - 60 Hz	18 Amp, 3 pole	
5.5 HGJAE-2131A	5500	1	Gasoline	120V - 60 Hz	30 Amp, 2 pole	Self diagnostics Digital voltage regulation Mech. Governor
5.5 HGJAE-2135A	5500	1	Gasoline	120/240V - 60 Hz	30 Amp, 2 pole	
5.5 HGJAE-2133A*	5500	1	Gasoline	120/240V - 60 Hz	30 Amp, 2 pole	
5.5 HGJAE-2555A**	5500	1	Gasoline	120/240V - 60 Hz	30 Amp, 2 pole	
5.5 HGJAE-2136A	5500	3	Gasoline	120/240V - 60 Hz	18 Amp, 3 pole	
5.5 HGJAE-2144A	5500	1	LP Vapor	120/240V - 60 Hz	30 Amp, 2 pole	
6.5 HGJAE-2145A	6500	1	LP Vapor	120/240V - 60 Hz	30 Amp, 2 pole	Self diagnostics Digital voltage regulation Mech. Governor
7 HGJAE-2132A	7000	1	Gasoline	120V - 60 Hz	30 Amp, 2 pole	
7 HGJAE-1912A	7000	1	Gasoline	120/240V - 60 Hz	30 Amp, 2 pole	
7 HGJAE-2134A*	7000	1	Gasoline	120/240V - 60 Hz	30 Amp, 2 pole	
7 HGJAE-2556A**	7000	1	Gasoline	120/240V - 60 Hz	30 Amp, 2 pole	
7 HGJAE-2137A	7000	3	Gasoline	120/240V - 60 Hz	18 Amp, 3 pole	
5.5 HGJAF-2108A	5500	1	Gasoline	120V - 60 Hz	30 Amp, 2 pole	Self diagnostics Digital voltage regulation Mech. Governor
5.5 HGJAF-1914A	5500	1	Gasoline	120/240V - 60 Hz	30 Amp, 2 pole	
5.5 HGJAF-1917A*	5500	1	Gasoline	120/240V - 60 Hz	30 Amp, 2 pole	
5.5 HGJAF-1916A	5500	3	Gasoline	120/240V - 60 Hz	18 Amp, 3 pole	
5.5 HGJAF-2109A	5500	1	LP Vapor	120/240V - 60 Hz	30 Amp, 2 pole	
6.5 HGJAF-2113A	6500	1	LP Vapor	120/240V - 60 Hz	30 Amp, 2 pole	Self diagnostics Digital voltage regulation Mech. Governor
7 HGJAF-2111A	7000	1	Gasoline	120V - 60 Hz	30 Amp, 2 pole	
7 HGJAF-1913A	7000	1	Gasoline	120/240V - 60 Hz	30 Amp, 2 pole	
7 HGJAF-2110A*	7000	1	Gasoline	120/240V - 60 Hz	30 Amp, 2 pole	
7 HGJAF-2112A	7000	3	Gasoline	120/240V - 60 Hz	18 Amp, 3 pole	

* Hydraulic pump standard.

** PTO ready, spline shaft, without hydraulic pump.

Commercial Mobile Model Designation Chart, *cont.*

Commercial Emerald 4500 and 6500 (U.S. and Canadian Models)*

	Watts	Phase	Fuel	Volts/Freq	Circuit Breaker	Features
4.5 BGD-FB/1	4500	1	Gasoline	120/240V - 60 Hz	(1) 20 Amp, 2 pole	
4.5 BGD-FB/1932	4500	1	LP (Liquid)	120/240V - 60 Hz	(1) 20 Amp, 2 pole	
4.5 BGD-FB/30502	4500	1	Gasoline	120/240V - 60 Hz	(1) 20 Amp, 2 pole	Extended Shaft
4.5 BGD-FB/30504	4500	1	LP (Vapor)	120/240V - 60 Hz	(1) 20 Amp, 2 pole	Extended Shaft
4.5 BGD-FB/7512	4500	1	LP (Vapor)	120/240V - 60 Hz	(1) 20 Amp, 2 pole	
4.5 BGD-FD/1	4500	3	Gasoline	120/240V - 60 Hz	(1) 15 Amp, 3 pole	
4.5 BGD-FD/30502	4500	3	Gasoline	120/240V - 60 Hz	(1) 15 Amp, 3 pole	Extended Shaft
4.5 BGD-FD/7512	4500	3	LP (Vapor)	120/240V - 60 Hz	(1) 15 Amp, 3 pole	
6.3 NHD-FB/1932	6300	1	LP (Liquid)	120/240V - 60 Hz	(1) 30 Amp, 2 pole	
6.3 NHD-FB/7512	6300	1	LP (Vapor)	120/240V - 60 Hz	(1) 30 Amp, 2 pole	
6.3 NHD-FD/7512	6300	3	LP (Vapor)	120/240V - 60 Hz	(1) 15 Amp, 3 pole	
6.5 NHD-FB/1	6500	1	Gasoline	120/240V - 60 Hz	(1) 30 Amp, 2 pole	
6.5 NHD-FB/30502	6500	1	Gasoline	120/240V - 60 Hz	(1) 30 Amp, 2 pole	Extended Shaft
6.5 NHD-FD/1	6500	3	Gasoline	120/240V - 60 Hz	(1) 18 Amp, 3 pole	
6.5 NHD-FD/30502	6500	3	Gasoline	120/240V - 60 Hz	(1) 18 Amp, 3 pole	Extended Shaft

* Models out of production 12/31/01.

Commercial Emerald 4500 and 6500 (International Models)*

4.0 BGD-FN/1	4000	1	Gasoline	120/240V - 50 Hz	(1) 20 Amp, 2 pole	
4.0 BGD-FN/30502	4000	1	Gasoline	120/240V - 50 Hz	(1) 20 Amp, 2 pole	Extended Shaft
4.0 BGD-FN/7512	4000	1	LP (Vapor)	120/240V - 50 Hz	(1) 20 Amp, 2 pole	
4.0 BGD-FT/1	4000	1	Gasoline	220/380V - 50 Hz	Not supplied with set	
5.0 NHD-FN/1	5000	1	Gasoline	120/240V - 50 Hz	(1) 30 Amp, 2 pole	
5.0 NHD-FN/30502	5000	1	Gasoline	120/240V - 50 Hz	(1) 30 Amp, 2 pole	Extended Shaft
5.0 NHD-FN/7512	5000	1	LP (Vapor)	120/240V - 50 Hz	(1) 30 Amp, 2 pole	
5.0 NHD-FT/1	5000	3	Gasoline	220/380V - 50 Hz	Not supplied with set	

* Models out of production 12/31/01.

MicroQuiet (U.S. and Canadian Models)

3.6 KY-FA/26120	3600	1	LP (Vapor)	120V - 60Hz	(1) 30 Amp	Enclosed muffler OHV engine
4.0 KY-FA/26100	4000	1	Gasoline	120V - 60Hz	(1) 30 Amp	

MicroQuiet (International Models)

	Watts	Phase	Fuel	Volts/Freq	Circuit Breaker	Features
3.3 KY-FR/26119	3300	1	LP (Vapor)	230V - 50 Hz	(1) 15 Amp	
3.6 KY-FR/33742	3600	1	Gasoline	230V - 50 Hz	(1) 17 Amp	
3.6 KY-FR/11572	3600	1	Gasoline	100V - 50 Hz	(1) 20 Amp, 2 pole	
4.0 KY-FR/11429	4000	1	Gasoline	100/200V - 60 Hz	(1) 30 Amp	Grounded Neutral
4.0 KY-FR/65697	4000	1	Gasoline	100/200V - 60 Hz	(1) 30 Amp	Isolated Neutral

MicroLite (U.S. and Canadian Models)

2.5 KV-FA/26120	2500	1	LP (Vapor)	120V - 60 Hz	(1) 25 Amp	Enclosed muffler
2.8 KV-FA/26100	2800	1	Gasoline	120V - 60 Hz	(1) 25 Amp	Low sound level

MicroLite (International Models)

2.0 KV-FR/26119	2000	1	LP (Vapor)	220V - 50 Hz	(1) 9.5 Amp	
2.3 KV-FR/33742	2300	1	Gasoline	220V - 50 Hz	(1) 10 Amp	
2.3 KV-FR/51844	2300	1	Gasoline	220V - 50 Hz	(1) 10 Amp	
2.8 KV-FR/11351	2800	1	Gasoline	100V - 60 Hz	(1) 25 Amp	

Marquis (U.S. and Canadian Models)*

5.5 BGM-FA/26105	5500	1	Gasoline	120V - 60 Hz	(1) 30 Amp, (1) 20 Amp (HACR)	
5.5 BGM-FA/11578	5500	1	Gasoline	120V - 60 Hz	(2) 30 Amp	
6.5 NHM-FA/26115	6500	1	LP (Liquid)	120V - 60 Hz	(2) 30 Amp	
6.5 NHM-FA/26116	6500	1	LP (Liquid)	120V - 60 Hz	(1) 30 Amp, (1) 20 Amp (HACR)	
7.0 NHM-FA/26105	6800	1	Gasoline	120V - 60 Hz	(2) 30 Amp	
7.0 NHM-FA/26106	6800	1	Gasoline	120V - 60 Hz	(1) 30 Amp, (1) 20 Amp (HACR)	
7.0 NHM-FA/66115	6800	1	Gasoline	120V - 60 Hz	(2) 30 Amp	10A Battery Charging

* Models out of production 12/31/01.

Commercial Mobile Model Designation Chart, *cont.*

Standard Diesel Fueled GenSets (CMSD Series)

	Watts	Phase	Fan	Volts/Freq	Circuit Breaker	Features
5 HDKAS-15	5000	1	Pusher	115/230V - 50 Hz	(1) 25 Amp, 2 pole	
5 HDKAS-16	5000	1	Suction	115/230V - 50 Hz	(1) 25 Amp, 2 pole	
5 HDKAS-17	5000	3	Pusher	12L Reconnectable - 50 Hz	Voltage Dependent	
5 HDKAS-18	5000	3	Suction	12L Reconnectable - 50 Hz	Voltage Dependent	
6 HDKAL-7	6000	1	Pusher	115/230V - 50 Hz	(1) 30 Amp, 2 pole	Focalized vibration isolation Pusher or suction fan Unhoused 3-phase available
6 HDKAL-8	6000	1	Suction	115/230V - 50 Hz	(1) 30 Amp, 2 pole	
6 HDKAL-9	6000	3	Pusher	12L Reconnectable - 50 Hz	Voltage Dependent	
6 HDKAL-10	6000	3	Suction	12L Reconnectable - 50 Hz	Voltage Dependent	
6 HDKAS-11	6000	1	Pusher	120/240V - 60 Hz	(1) 25 Amp, 2 pole	
6 HDKAS-12	6000	1	Suction	120/240V - 60 Hz	(1) 25 Amp, 2 pole	
6 HDKAS-13	6000	3	Pusher	12L Reconnectable - 60 Hz	Voltage Dependent	
6 HDKAS-14	6000	3	Suction	12L Reconnectable - 60 Hz	Voltage Dependent	
7.5 HDKAL-1	7500	1	Pusher	120/240V - 60 Hz	(1) 35 Amp, 2 pole	
7.5 HDKAL-2	7500	1	Suction	120/240V - 60 Hz	(1) 35 Amp, 2 pole	
7.5 HDKAL-3	7500	3	Pusher	12L Reconnectable - 60 Hz	Voltage Dependent	Focalized vibration isolation Pusher or suction fan Unhoused 3-phase available
7.5 HDKAL-4	7500	3	Suction	12L Reconnectable - 60 Hz	Voltage Dependent	
7.5 HDKAL-5	7500	1	Pusher	100/200V - 60 Hz	(1) 40 Amp, 2 pole	
7.5 HDKAL-6	7500	1	Suction	100/200V - 60 Hz	(1) 40 Amp, 2 pole	
8 HDKAG-11378	8000	3	Pusher	12L Reconnectable - 50 Hz	Voltage Dependent	
8 HDKAG-11379	8000	3	Suction	12L Reconnectable - 50 Hz	Voltage Dependent	
8 HDKAG-11473	8000	1	Pusher	120/220V - 50 Hz	(1) 40 Amp, 2 pole	4-point vibration isolation Unhoused 3-phase available
10 HDKAG-11322	10000	3	Pusher	120/240V - 60 Hz	(1) 35 Amp, 3 pole	
10 HDKAG-11323	10000	3	Suction	120/240V - 60 Hz	(1) 35 Amp, 3 pole	
10 HDKAG-11509	10000	1	Pusher	100/200V - 60 Hz	(1) 50 Amp, 2 pole	
10 HDKAG-61730	10000	1	Suction	120/240V - 60 Hz	(1) 45 Amp, 2 pole	
10 HDKAG-61731	10000	1	Pusher	120/240V - 60 Hz	(1) 45 Amp, 2 pole	
10 HDKAG-61732	10000	3	Suction	120/208V - 60 Hz	(1) 35 Amp, 3 pole	
10 HDKAG-61733	10000	3	Pusher	120/208V - 60 Hz	(1) 35 Amp, 3 pole	

Quiet Diesel GenSets (CMQD Series)

7.5 HDKAT-41934	7500	1	Internal	120V - 60 Hz	(1) 35 Amp, 2 pole	Lower noise, vibration, harshness
10 HDCAC-42345	10000	1	Internal	120/240V - 60 Hz	(1) 45 Amp, 2 pole	
12 HDCAD-2209A	12000	1	Internal	120/240V - 60 Hz	(1) 50 Amp, 2 pole	

Commercial Mobile Model Designation Chart, *cont.*

Protec PTO Generators

	Watts	Phase	Fuel	Volts/Freq	Circuit Breaker	Features
15 YD CR 621	15000	1	N/A	120/240V - 60 Hz	70A, 2 Pole Recommended	Switchable to 50 Hz
20 YD CR 621	20000	1	N/A	120/240V - 60 Hz	85A, 2 Pole Recommended	Switchable to 50 Hz
25 YD CR 621	25000	1	N/A	120/240V - 60 Hz	100A, 2 Pole Recommended	Switchable to 50 Hz
30 YD CR 621	30000	1	N/A	120/240V - 60 Hz	150A, 2 Pole Recommended	Switchable to 50 Hz
35 YD CR 621	35000	1	N/A	120/240V - 60 Hz	175A, 2 Pole Recommended	Switchable to 50 Hz
15 YD CR 622	15000	3	N/A	12L Reconnectable - 60 Hz	Voltage Dependent	Switchable to 50 Hz
20 YD CR 622	20000	3	N/A	12L Reconnectable - 60 Hz	Voltage Dependent	Switchable to 50 Hz
25 YD CR 622	25000	3	N/A	12L Reconnectable - 60 Hz	Voltage Dependent	Switchable to 50 Hz
32 YD CR 622	32000	3	N/A	12L Reconnectable - 60 Hz	Voltage Dependent	Switchable to 50 Hz
40 YD CR 622	40000	3	N/A	12L Reconnectable - 60 Hz	Voltage Dependent	Switchable to 50 Hz

Hydraulic Generators (RBAA) Series

6RBAA-2282A	6000	1	N/A	120/240V - 60 Hz	50/25A, OEM/Distributor supplied	Engineered system Flexible installation
8RBAA-2283A	8000	1	N/A	120/240V - 60 Hz	66.6/33.3A, OEM/Distributor supplied	
AVAILABLE THIRD QUARTER 2002						
10RBAA-	10000	1	N/A	120/240 - 60Hz		



CME (HGJAF 5500, 7000) Accessories

Mounting Kit

405-6698

CME Underfloor Mount

Used to mount generator underfloor. Muffler kit not included.



Enclosure Assembly

541-0612-01

CME Sheet Metal Enclosure Kit, muffler below. Kit consists of insulated sheet metal housing with latching door. Kit must be assembled. Green.



541-0612-02

Side Assembly

CME Sheet Metal Enclosure Kit, muffler on side. Kit consists of insulated sheet metal housing with latching door. Kit must be assembled. Green.



Installation Templates

539-2056

CME Compartment Mount Installation Template

A paper guide for marking holes to install the CME in compartments or on platforms. To order, contact Onan at corinne.s.dodd@cummins.com or 763-574-5604.

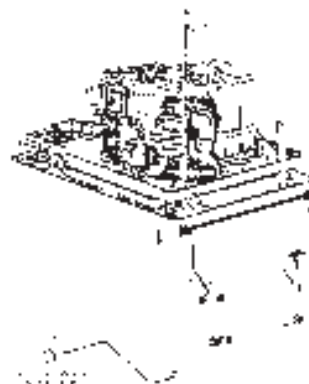
Exhaust Kits

Each kit includes an exhaust pipe connection flange, muffler, mounting hardware and a vibration isolated design hanger clamp to reduce rigid tailpipe stresses. The hanger clamps fit standard 1-1/2 inch O.D. (18 gauge) tailpipe. (Exhaust tailpipe not included.) Additional hanger clamps may be necessary. (Part #155-2174.)

155-3408

CME Exhaust Kit

Below set, front outlet. Includes muffler, tube, bracket, gasket, clamp and instruction sheet.



155-3408
155-3409

155-3409

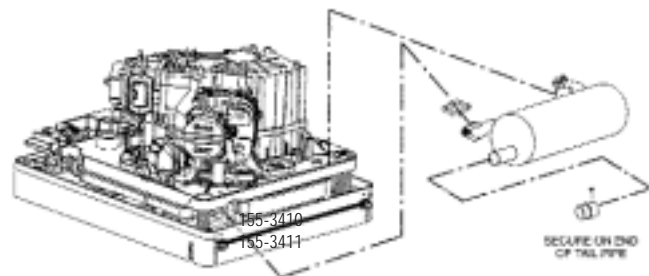
CME Exhaust Kit

Below set, rear outlet. Includes muffler, tube, bracket, gasket, clamp and instruction sheet.

155-3410

CME Exhaust Kit

Side mount, front outlet. Includes muffler, tube, bracket, gasket, clamp and instruction sheet.



155-3410
155-3411

155-3411

CME Exhaust Kit

Side mount, rear outlet. Includes muffler, tube, bracket, gasket, clamp and instruction sheet.

LPG Vapor Fuel Conversion Kit

148-1161

CME LPG Vapor Fuel Conversion Kit

Used to convert an HGJAF gasoline commercial mobile genset to a low-pressure propane gas set. The kit includes a UL-approved gas regulator and electric solenoid along with the carburetor and necessary hardware. This conversion kit complies with ANSI/RVIA-EGS-I and NFPA 58. (Instruction Sheet #G-402.)



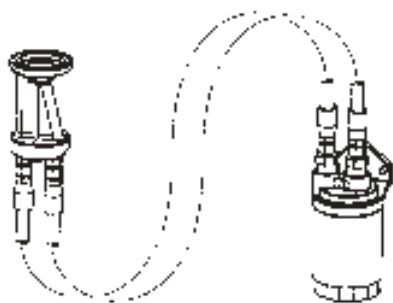
148-1161

Oil Drain & Other Accessory Kits

541-0608-01

Remote Oil Filter Kit

Allows the oil filter to be mounted remotely on CME & CMM gensets. Includes filter adapter, hoses, remote filter mount with bracket and hardware.



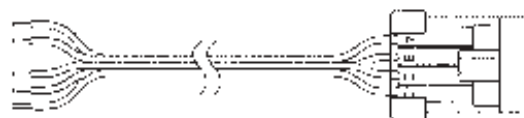
541-0608-01

Harnesses

305-0979

Pigtail to Set

Pigtail kit that connects to the sealed remote connector and sealed splices on all gasoline and LP GenSets with sealed remote connector. (Marquis Spec G and later, Emerald Spec M and later, KY Spec F and later, and KV Spec F and later.)



338-3489-01 5-wire

10 Foot Remote Harness

338-3489-02 5-wire

30 Foot Remote Harness

Easy plug connection between GenSets with remote sealed connectors and control panels Part #300-4936, 300-4937 and 300-4938, 300-5331, 300-5332 and 300-5333.



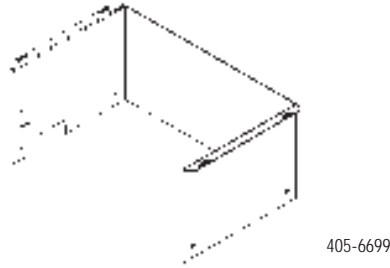


CMM, CMM EFI (HGJAE 5500, 7000 & HGJAD 5500, 7000) Accessories

Mounting Kit

405-6699 Mounting Kit

For underfloor installation. (Exhaust tailpipe not included.)



405-6699

Installation Templates

539-2057 Underfloor Marquis HGJAE, HGJAD Installation Template

A paper guide for marking holes to install the Marquis HGJAE, HGJAD in compartments or on platforms.

To order, contact Onan at corinne.s.dodd@cummins.com or 763-574-5604.

Tailpipe & Exhaust Tube Kits

It is necessary to equip the generator set with a tailpipe at installation.

155-3481-01 22-inch Tailpipe

155-3481-02 26-inch Tailpipe

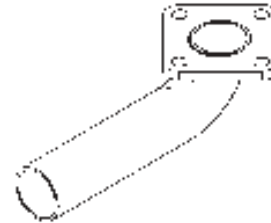
Contains tailpipe, clamp and a hanger. Exhaust tube connects to 1-3/8 inch O.D. down tube on genset. Exhaust tailpipe connects to 1-3/8 inch short nipple or down tube provided on genset exhaust outlet.



155-3482-02

155-3439 Exhaust Elbow

90° exhaust adapter elbow. Replaces standard 1-3/8 inch O.D. down tube. (For use with 1-3/8 inch I.D. tailpipe.) Allows exhaust to pass out through exhaust cutouts in genset base.



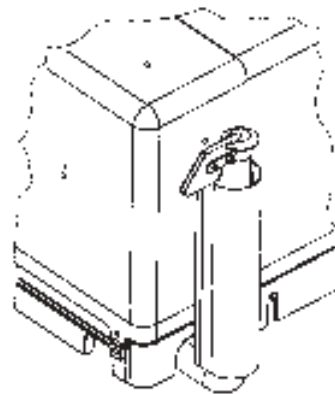
155-3439

155-2610-01 12 1/2-inch Exhaust Tube

1-3/8 O.D. tube x 3 inches long for use with 1-1/2 inch tailpipe.

Exhaust & Tailpipe Tube Kits

Custom tailpipe and exhaust systems can be obtained at Onan Indiana—800-589-9027 or www.onanindiana.com.



Typical tailpipe kit.

Circuit Breaker Kits

320-1572 30-Amp Circuit Breaker Kit

Replaces 20-amp breaker when two 30-amp single pole, single throw breakers are required. (Instruction Sheet #G-25.)

320-1683 20-Amp Circuit Breaker Kit

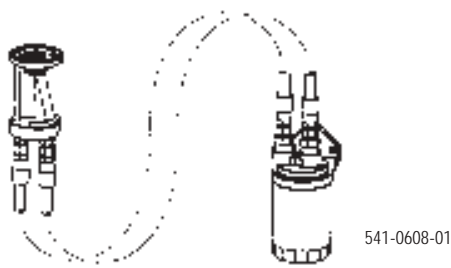
Replaces 30-amp breaker when a 20-amp and a 30-amp breaker are required. (Instruction Sheet #C-336.)

Oil Drain & Other Accessory Kits

541-0608-01

Remote Oil Filter Kit

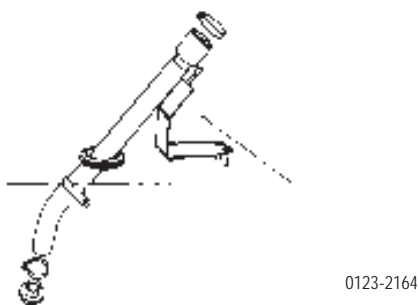
Allows the oil filter to be mounted remotely on CME & CMM gensets. Includes filter adapter, hoses, remote filter mount with bracket and hardware.



0123-2164

Remote Oil Fill Kit

Allows operator to check and add oil when front access door is not readily accessible.



Fuel Pump Kits

CMM EFI

These kits contain all of the components required to connect a CMM EFI genset to various truck/van chassis. They allow insertion of a genset fuel pickup and return line through the chassis fuel filler neck. They can be installed without removing the truck body or the fuel tank. Kit contains: fuel pump with chassis-specific mounting bracket, fill neck adapter, lines, clamps, wire harnesses and other hardware for a complete installation. Executive order #D288-22. Order kit by chassis model.

- 541-0671 1999–2002 Fuel-injected gas Ford F350 - F550 cab chassis with an aft-axle OEM tank.
- 541-0672 2001–2002 Fuel-injected gas GM 2500, 3500 Silverado cab chassis with a midship plastic OEM fuel tank.
- 541-0673 1992–2002 Fuel-injected gas Ford E150, E250 and E350 Econoline (E-van) with a midship OEM fuel tank.
- 541-0767 1994–2002 Fuel-injected gas Ford E450 & E 550 Cutaway van chassis with 55.0 gallon aft-axle OEM fuel tank.
- 541-0786 1996–2002 Fuel-injected gas GM G van 2500 - 3500.
- 541-0789 2001–2002 GM fuel-injected pickup LWB/SWB.
- 541-0790 1998–2002 Dodge fuel-injected pickup LWB/SWB.
- 541-0791 1999–2002 Ford fuel-injected F Series pickup LWB/SWB.

CMM and CME Carbureted

These kits allow the user to install a fuel pickup through the filler neck on the chassis, so a carburetor genset can be hooked up. These kits do not contain an EFI fuel pump. They consist of a fill neck adapter and hose. They are for use with a CME or CMM carburetor genset (NOT EFI, see above). These kits can be installed without removing the fuel tank or the truck body from the chassis. Executive order #D288-22. Order kit by chassis model.

- 541-0787 GM Silverado fuel-injected cab chassis and GM G van kit for fuel pickup only carbureted and deisel genset.
- 541-0788 Ford E van, F Series pickup, cab chassis and 350-450 cutaway van kit for fuel pickup only carbureted and deisel gensets.
- 541-0803 2001–2002 GM fuel-injected LWB/SWB pickup carbureted and deisel gensets.
- 541-0804 1998–2002 Dodge fuel-injected LWB/SWB pickup carbureted and deisel genset.

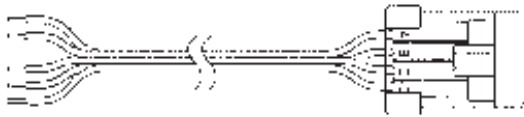


Harnesses

305-0979

Pigtail to Set

Pigtail kit that connects to the sealed remote connector and sealed splices on all gasoline and LP GenSets with sealed remote connector. (Marquis Spec G and later, Emerald Spec M and later, KY Spec F and later, and KV Spec F and later.)



338-3489-01 5-wire

10 Foot Remote Harness

338-3489-02 5-wire

30 Foot Remote Harness

Easy plug connection between GenSets with remote sealed connectors and control panels Part #300-4936, 300-4937 and 300-4938, 300-5331, 300-5332 and 300-5333.



MicroLite™ KV (KV 2000, 2300, 2500, 2800) Accessories



Tailpipe & Exhaust Tube Kits

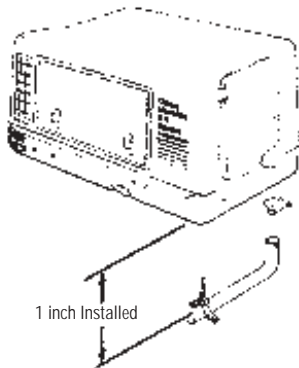
Plan each individual exhaust system carefully. A proper installation is not only vapor-tight, but is quieter and safer. Be sure to check all applicable vehicle standards, and state and federal codes (including ANSI A119.2/NFPA 501C) regarding exhaust installations for vehicles. Be sure the installation meets all applicable codes and requirements. Refer to the proper Onan instruction sheet and installation manual for recommendations and important safety precautions to follow when installing an exhaust system.

MicroLite generator sets have a built-in USDA Forest Service approved spark arrester muffler. It is necessary to equip the generator set with a tailpipe at installation.

155-2325

Aluminized Steel Tailpipe Kit

For MicroLite applications from 18 inches to 25 inches (457 to 635 mm). Kit includes exhaust tube, hanger clamp, clamp, and instructions. (Instruction Sheet #G-63). Additional hanger clamps may be necessary (Part #155-2174). The exhaust tube is constructed of 16 gauge steel. The hanger clamps have a vibration isolated design to reduce rigid exhaust pipe stresses.

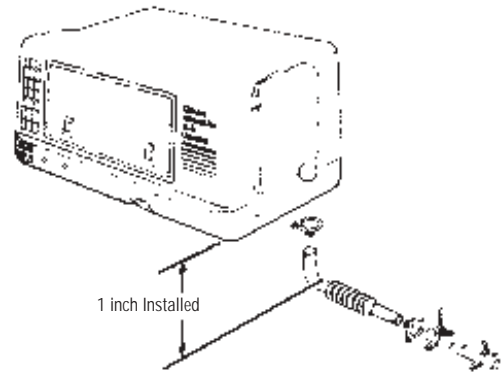


155-2324

Stainless Steel Exhaust Tube Kit

For MicroLite applications of more than 25 inches (635 mm). Exhaust tube is 14 inches (356 mm) long and includes a vibration isolation section; designed for use with additional 1-1/2 inch O.D. standard exhaust tailpipe when required. Kit includes exhaust tube, hanger clamp, clamps and instructions. (Instruction Sheet #G-62). Additional hanger clamps may be necessary (Part #155-2174).

The exhaust tube is constructed of seamless 16 gauge corrugated stainless steel for flexibility to reduce vibration stresses. The hanger clamps are a universal mount, vibration isolated design to reduce rigid tailpipe stresses.

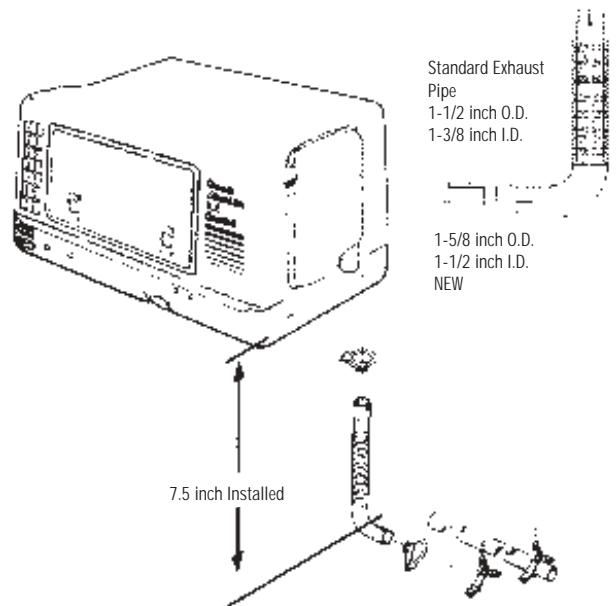


155-2425

7.5 Inch Stainless Steel Extended Down Tube Kit

For MicroLite applications that require additional vertical tailpipe clearance (7-1/2 inches).

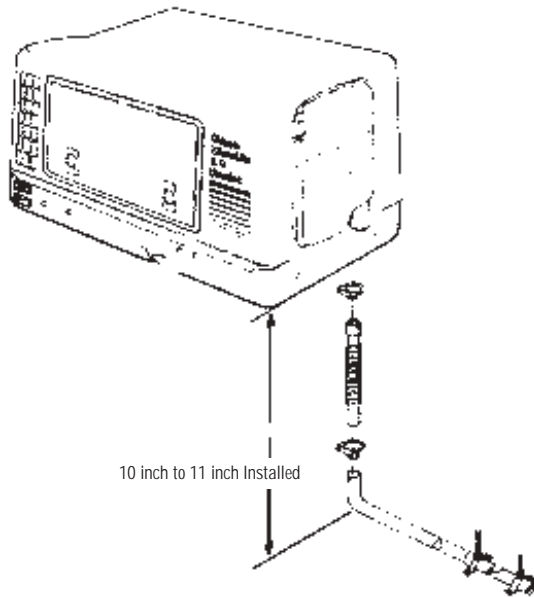
The exhaust tube is constructed of seamless 16-gauge corrugated stainless steel for flexibility, to reduce vibration stresses. The hanger clamps are universal mount, vibration isolated design to reduce rigid tailpipe stresses. (Instruction Sheet #G-82). Additional hanger clamps may be necessary (Part #155-2174). Reference page 33.



155-2771

11.8 Inch Stainless Steel Extended Down Tube Kit

For MicroLite applications that require 10 to 11 inch (300 mm) tail pipe clearance for extra thick flow and other obstacles. Kit includes exhaust tube, hanger clamp, clamps and instructions. (Instruction Sheet #G-82.) Additional hanger clamps may be necessary (Part #155-2174).

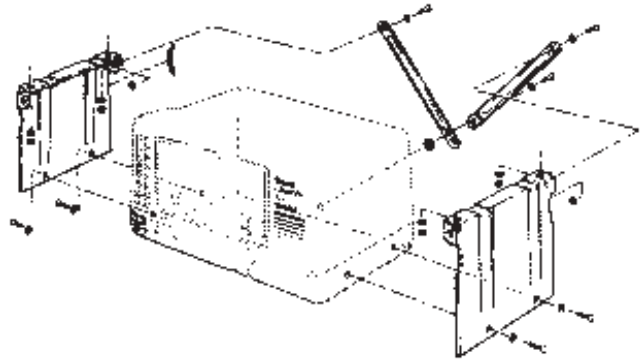


Mounting Conversion Kits

403-2689

Mounting Kit

For underfloor installations, brackets and hardware included. (Instruction Sheet #G-60.) (Exhaust tailpipe not included.)



Note: All installations must be made in accordance with ANSI 119.2/NFPA 501C. Refer to the proper Onan instruction sheet and installation manual for recommendations and important safety precautions to follow when installing this kit.

Installation Templates

539-0977

Underfloor MicroLite KV Installation Template

A paper guide for marking holes to install underfloor 403-2689 mounting kit. (Included in Mounting Kit #403-2689.)

539-1386

Compartment Mount MicroLite KV Installation Template

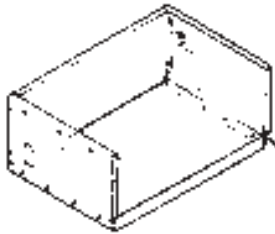
A paper guide for marking holes to install MicroLite sets in conventional compartments.



Mounting Kits

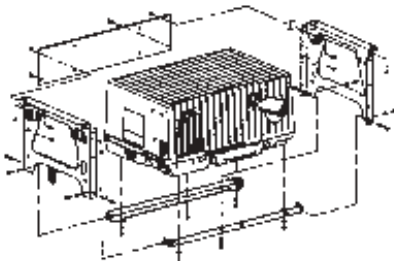
405-4241 Housing Kit

For underfloor installation. Can be used with MicroLite KY if Part #403-3630 Base Adapter Kit is added. (Instruction Sheet #G-85.)



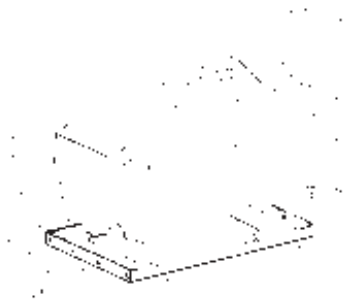
403-3670 Underfloor Mounting Kit

For underfloor MicroLite KY installations attaching directly to vehicle floor, or floor supports. If template for mounting to the floor is required, order Part #539-1535-01 separately. (Instruction Sheet #G-202.)



403-3630 Base Adapter Kit

Adapts the standard MicroLite KY tray to a Marquis base bolt pattern. Can be used with Part #405-4241 Housing Kit. (Instruction Sheet #G-208.)



Installation Templates

539-1535-01 Underfloor MicroLite KY Installation Template

A paper guide for marking holes to install MicroLite KY underfloor kit Part #403-3670.

539-1546-01 Compartment Mount MicroLite KY Installation Template

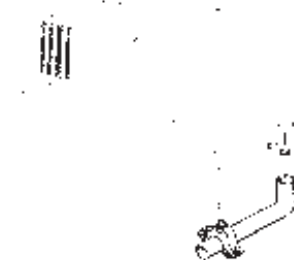
A paper guide for marking holes to install the MicroLite KY in conventional compartments.

Exhaust Kits

155-2845 Tailpipe Kit

Contains tailpipe, clamp, and a hanger that connects to the bottom of the mounting tray to direct exhaust to the side of the vehicle. Tailpipe hangs approximately 1 inch below the GenSet tray. Use on underfloor installations and those where the vehicle's sidewalls don't extend below the GenSet. (Instruction Sheet #G-206.)

For installations requiring additional clearance, also use Part #155-2850 Exhaust Tube.

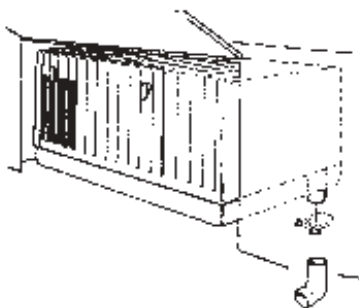




155-2847

Elbow Adapter Kit

Contains the elbow and clamp for the muffler for a 90° turn to horizontal from the muffler outlet. The elbow expands to clamp on a 1-1/2 inch O.D. tailpipe. Additional tailpipe, clamp and a hanger will also be needed.



155-2850

Exhaust Tube

12 inches long, 1-1/8 inch O.D. tube used as a down tube extension. It can be cut to length and other tailpipes added to it. Tailpipe Kit Part #155-2845 can be added for above floor installations if the sidewall is too low.



Muffler Kits

542-0337

BGD, Right Side Outlet Muffler Kit

542-0338

NHD, Right Side Outlet Muffler Kit

542-0494

BGD, Large Diameter Muffler Kit

542-0495

NHD, Large Diameter Muffler Kit

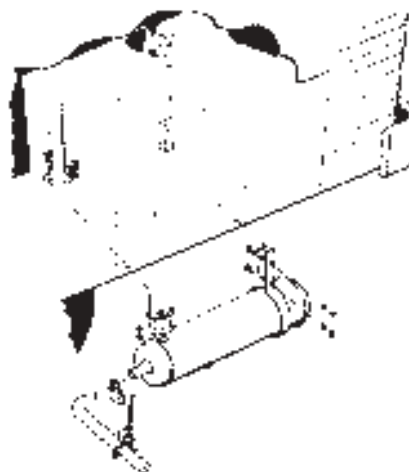


542-0327

BGD, Left Side Muffler Kit

542-0328

NHD, Left Side Outlet Muffler Kit



Muffler Kits

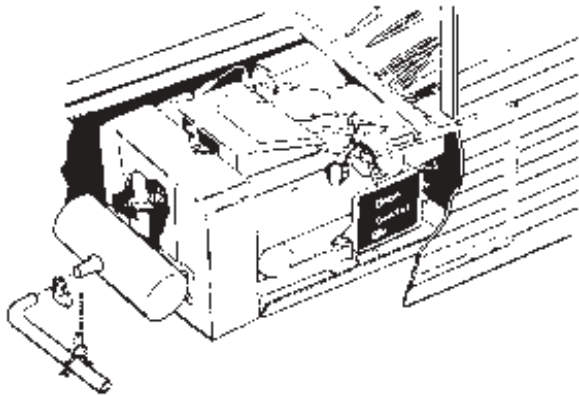
Each kit features an aluminized steel USDA Forest Service approved spark arrester muffler.

In addition, each kit includes an exhaust pipe connection flange, muffler mounting hardware and a vibration isolated design hanger clamp to reduce rigid tailpipe stresses. The hanger clamps fit standard 1-1/2 inch O.D. (18 gauge) tailpipe. (Exhaust tailpipe not included.) Additional hanger clamps may be necessary (Part #155-2174).

542-0470

Side Outlet Muffler Kit

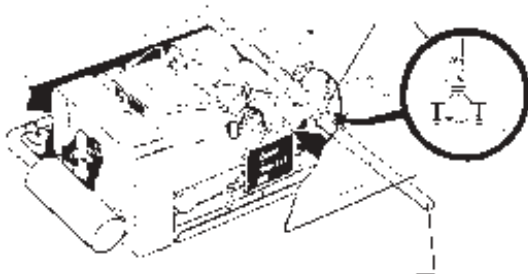
For BGD & NHD (Instruction Sheet #A-309).



542-0482

Rear Outlet Muffler Kit

For BGD & NHD (Instruction Sheet #A-309).

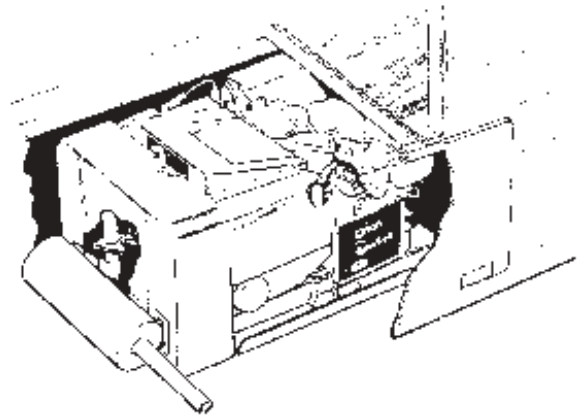


Tailpipe not furnished by Onan

542-0469

Front Outlet Muffler Kit

For BGD & NHD (Instruction Sheet #A-309).

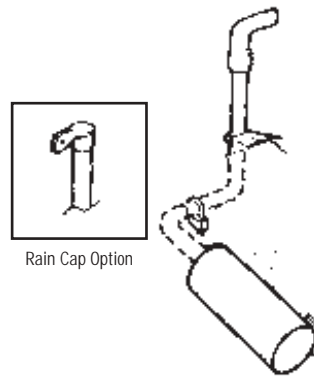


542-0334

BGD Rear Vertical Exhaust Kit

542-0335

NHD Rear Vertical Exhaust Kit



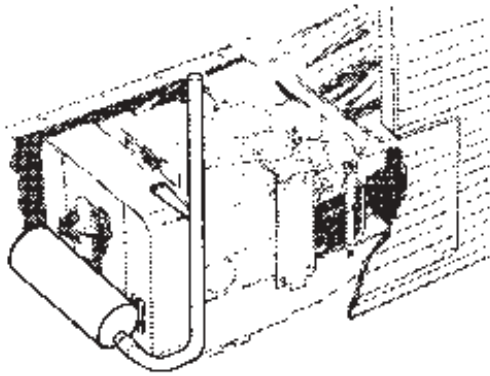
Rain Cap Option

Hanger bracket

542-0341
BGD/NHD Flat Vertical Exhaust Kit

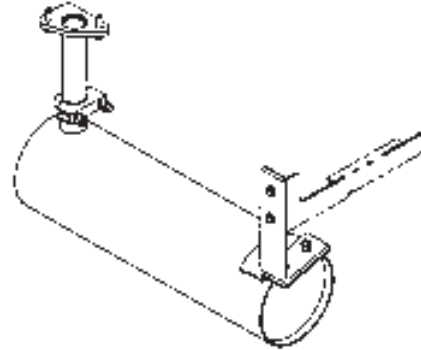


Rain Cap Option



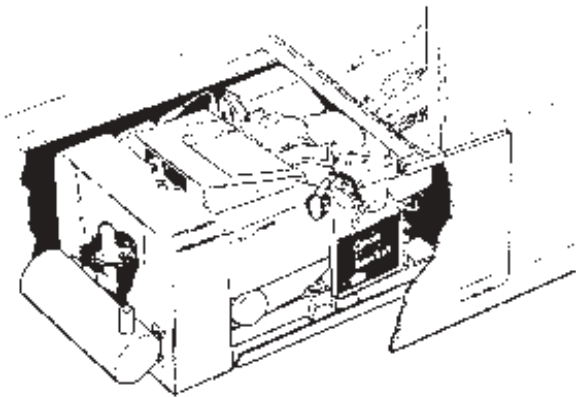
542-0268
BGD Under Set Muffler Kit

BGD under set muffler kit for utility body applications. (Instruction Sheet #A0341.) Muffler mounts below fan outlet and exhausts down.



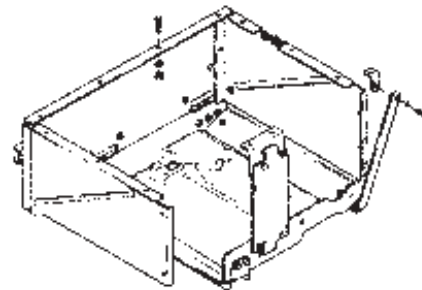
542-0265
Top Outlet Muffler Kit

For BGD & NHD (Instruction Sheet #A-309).



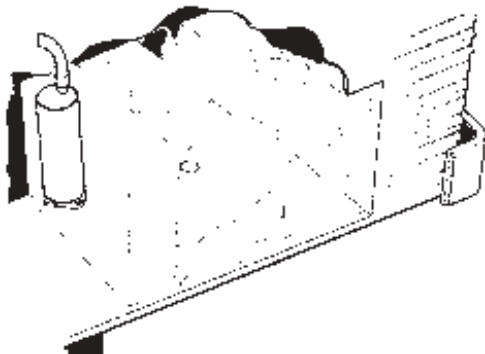
405-5754
Commercial BGD Underfloor Mount

405-5753
Commercial NHD Underfloor Mount



542-0343
BGD Vertical Muffler/Tailpipe Kit

(Instruction Sheet #G-227).



154-3003
Rain Cap Option



Marquis™ (BGM 5500 & NHM 6500, 7000) Accessories



LPG Vapor Regulator Kit

148-1107

LPG Vapor Regulator Kit

Demand pressure regulator kit required with all BGD & NHD LPG vapor fueled sets. Kit consists of a demand-type pressure regulator, fuel shutoff valve, hardware and instruction sheet (Instruction Sheet #G-328).



Installation Templates

539-0885

BGD Compartment Mount Installation Template

539-1039

NHD Compartment Mount Installation Template

A paper guide for marking holes to install the commercial Emeralds in compartments or on platforms.

Electronic Governor Kits

151-0759

NHD Electronic Governor Kit

151-0760

BGD Electronic Governor Kit

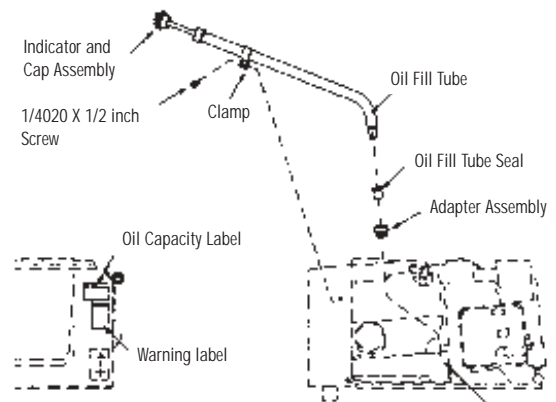
Used to convert a standard mechanical governed set to add electronically governed set. These kits include the activator, controller, carburetor and necessary hardware.

Extended Oil Fill Kit

541-0456

BGD Extended Oil Fill (BGD only)

(Instruction Sheet #G-189.)



Remove original oil filter indicator, replace with parts from this kit.

Tailpipe & Exhaust Tube Kits

Marquis Commercial generator sets have a built-in USDA Forest Service approved spark arrester muffler. **It is necessary to equip the generator set with a tailpipe at installation.**

155-2426

Rear or Side Exit Exhaust Adapter Kit

For BGM and NHM Marquis. This exhaust adapter kit converts BGM and NHM Marquis sets from a bottom exhaust outlet connection to a rear or side outlet. It includes a 7-inch exhaust tube (Part #155-2424) flange to 1-1/2 O.D. 18-gauge exhaust tailpipe, shrouds (Part #155-2401-02 and 155-2402-02), and exhaust gasket. Note: Exhaust tailpipe is NOT supplied in this kit. (Instruction Sheet #G-84.)

155-2401-02

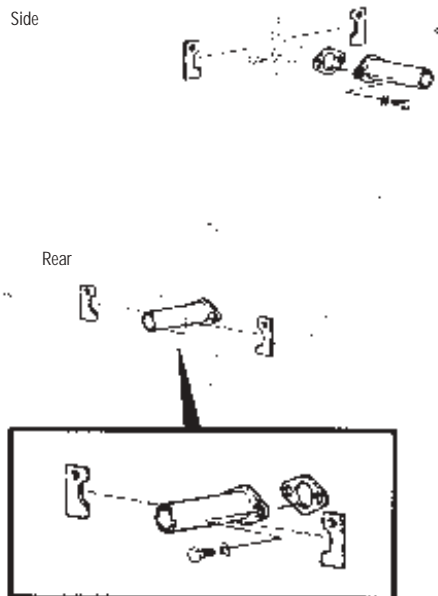
Exhaust Pipe Shroud

For NHM engine end and rear exit exhaust mount; BGM rear exit exhaust mount only. (Included in Part #155-2426.)

155-2402-02

Exhaust Pipe Shroud

For BGM engine end exit exhaust mount only. (Included in exhaust adapter kit Part #155-2426.)



155-2610

3-Inch Exhaust Tube

1-3/8 O.D. Tube x 3 inches long for use with 1-1/2 inch tailpipe.

155-2610-01

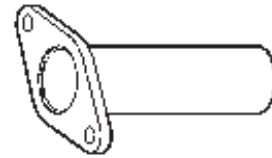
12 1/2-Inch Exhaust Tube

1-3/8 O.D. Tube x 3 inches long for use with 1-1/2 inch tailpipe.

155-2424

7-Inch Exhaust Tube

Straight tube, adapts flange to 1-3/8 inch O.D. tube. (For use with 1-1/2 inch O.D. tailpipe.) (Included in Part #155-2426.)

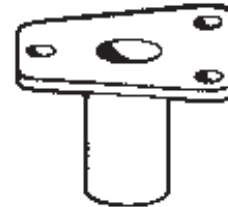


Oil Drain Kit

102-1395

Oil Drain Kit

For Marquis GenSets. For use on models prior to Spec G.



Circuit Breaker Kits

320-1683

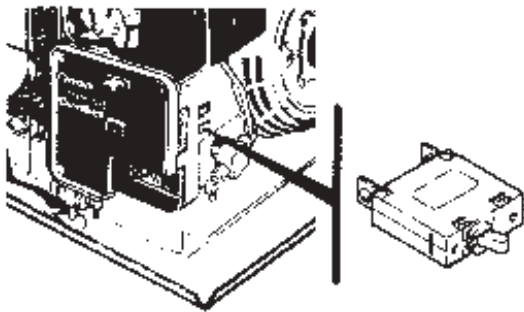
20-Amp NHM Circuit Breaker Kit

Single-pole, single throw. Replaces lower 30-amp circuit breaker for NHM Marquis, when one 30-amp and one 20-amp HACR circuit breakers are required for direct connection to second air conditioner. (Instruction Sheet #C-336.)

320-1572

30-Amp NHM Circuit Breaker Kit

Replaces 20-amp breaker, when two 30-amp single pole, single throw breakers are required. (Instruction Sheet #G-25.)



LPG Vapor Fuel Conversion Kit

148-1108-03

NHM LGP Vapor Fuel Conversion Kit

Used to convert a NHM gasoline GenSet to a low-pressure propane gas set. The kit includes a UL-approved gas regulator and electric solenoid along with the carburetor and necessary hardware. This conversion kit complies with ANSI/RVIA-EGS-1 and NFPA 58. (Instruction Sheet #G-267.)

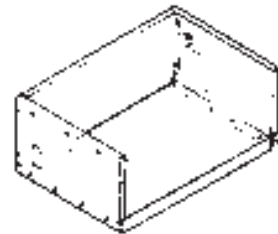


Housing Kit

405-4241

Housing Kit**

For underfloor Marquis installation. Brackets and hardware included. Exhaust tailpipe not included. (Instruction Sheet #G-85.)



**Requires approval from Onan's application engineering prior to use in commercial vehicles.

Note: All installations must be made in accordance with NFPA 501C/ANSI 119.2. Refer to the proper Onan instruction Sheet and installation manual for recommendations to follow when installing this kit.

Battery Charging Kit

541-0466

Battery Charging Kit

A 10-amp battery charging kit that can be added to units without factory installed battery charging.

Installation Template

539-1102

BGM and NHM Installation Template

A paper guide for marking holes to install conventional Marquis GenSets.

Extended Oil Fill Kit

541-0474

Extended Oil Fill for BGM/NHM



General Gasoline and LP Accessories

416-0579

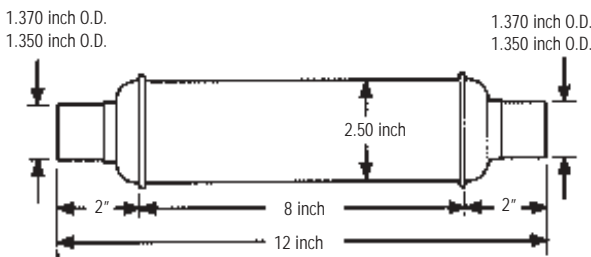
Battery

12-Volts, SAE 24, 420 cold cranking amps at 0° F; 20 pounds, dry.

155-2449

Exhaust Resonator

For use with MicroLite, Marquis and Emerald Gensets. Softens exhaust noise and can reduce sound levels in some installations up to one dB(A). Constructed of aluminized steel, and mates with standard 1-1/2 inch O.D. exhaust pipe. Requires a 1-1/2 inch (38mm) O.D. pipe clamp (Part #155-1015).



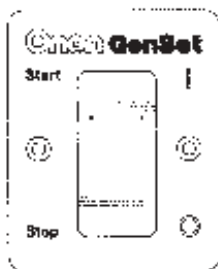
Remote Control Panels

300-5331 with Diagnostic Light

300-4936 without Diagnostic Light

Switch Only

For use with all gasoline and LPG GenSets. Features an illuminated start/stop switch with mounting plate. The kit includes mounting screws, panel assembly and instruction sheet with mounting template. Onan extension harnesses Part #338-3489-01 and 338-3489-02 provide easy plug-in connection. For continuous stop feature, use commercial 6-wire harnesses 338-4155-01 (10ft.), or 338-4155-02 (30 ft.). (Instruction Sheet #C-537).

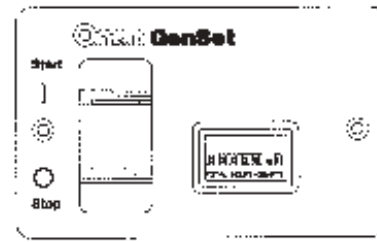


300-5332 with Diagnostic Light

300-4937 without Diagnostic Light

Switch and Hourmeter

For use with all gasoline and LPG Gensets. Features an illuminated start/stop rocker switch and hourmeter with mounting plate. The kit includes mounting screws, panel assembly and instruction sheet with mounting template. For continuous stop feature, use commercial 6-wire harnesses 338-4155-01 (10ft.), or 338-4155-02 (30 ft.). (Instruction Sheet #C-537.)

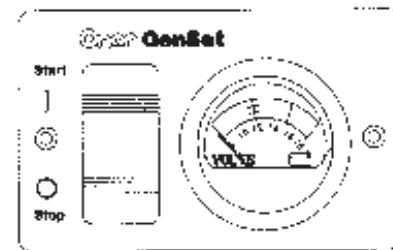


300-5333 with Diagnostic Light

300-4938 without Diagnostic Light

Switch and Voltmeter

For use with all gasoline and LPG Gensets. Features an illuminated start/stop rocker switch and voltmeter with mounting plate. The kit includes mounting screws, panel assembly and instruction sheet with mounting template. For continuous stop feature, use commercial 6-wire harnesses 338-4155-01 (10ft.), or 338-4155-02 (30 ft.). (Instruction Sheet #C-537.)



Harnesses

338-4156

Pigtail 6-wire

This pigtail has an additional wire to allow connection to the commercial genset continuous stop feature. Commonly used when the genset is located where the operator wants to lock the genset out so a passerby cannot start it. Do NOT buy this pigtail if you do not need the continuous stop feature.



338-4156

338-4155-01

10' long 6-wire remote harness

This harness has an additional wire to allow connection to the commercial genset continuous stop feature. Commonly used when the genset is located where the operator wants to lock the genset out so a passerby cannot start it. Do NOT buy this harness if you do not need the continuous stop feature.

338-4155-02

30' long 6-wire remote harness

This harness has an additional wire to allow connection to the commercial genset continuous stop feature. Commonly used when the genset is located where the operator wants to lock the genset out so a passerby cannot start it. Do NOT buy this harness if you do not need the continuous stop feature.

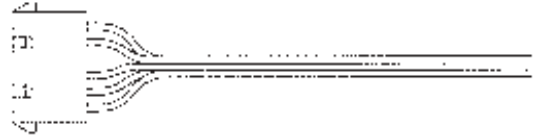


338-4155-01
338-4155-02

338-3572

Pigtail at Control Panel

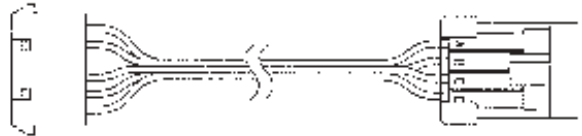
Mating plug and 6-inch harness for use with new control panels Part #300-4936, 300-4937 and 300-4938 to allow the installer to make a harness connection to the GenSet.



338-3513

New Set to Old Panel Adapter Harness

Adapts the sealed connector on new-style GenSets, Spec M or later, to a vehicle wired for the old-style connector.



338-3673

Old Set to New Panel Adapter Harness

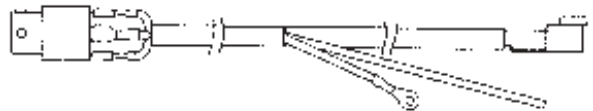
Adapts the connector on old-style GenSets, Spec J, K and L, to the new-style sealed connector for use with the new control panel extension harnesses.



542-0336

Start Enable Relay Kit

For use with Commercial BGD and NHD generator sets.



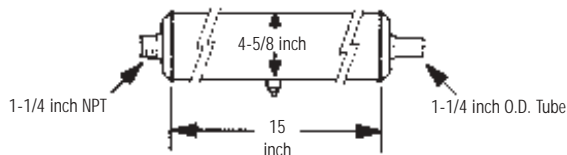


CMSD Series (HDKAS, AL, AG) Accessories

Exhaust Components

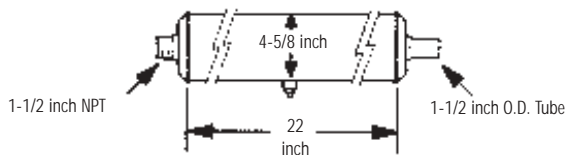
155-2068 Muffler

For use with HDKAL, AS GenSets. USDA Forest Service approved spark arrester muffler. Note: Exhaust tailpipe NOT included.



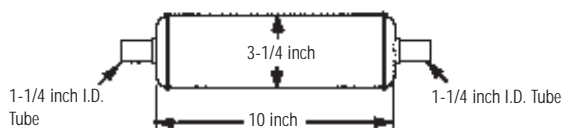
155-2262 Muffler

For use with HDKAG GenSets. USDA Forest Service approved spark arrester muffler. Note: Exhaust tailpipe NOT included.



155-2653 Exhaust Resonator

For use with all standard diesel GenSets. Softens exhaust noise and can reduce sound levels in some installations up to one dB(A). Mates with 1-1/4 inch O.D. exhaust pipe. Constructed of aluminized steel. Requires a 1-3/8 inch O.D. pipe clamp (Part #155-1257.)



154-2852 Exhaust Adapter

Straight, flange to 1-1/4 inch pipe thread.



Fan Conversion Kits

130-4121 Sucker Fan Kit

Converts a HDKAG pusher fan unit to a suction fan unit. (Pulls air through radiator toward engine.)

130-4556 Pusher Fan Kit

Converts a HDKAG suction fan unit to a pusher fan unit. (Pushes air from engine through radiator.)

Begin Spec B HDKAL & HDKAS Fan Conversion Kits

130-5042

Sucker Fan Kit

Converts a HDKAL/S pusher fan unit to a suction fan unit. (Pulls air through radiator toward engine.)

130-5041 Pusher Fan Kit

Converts a HDKAL/S suction fan unit to a pusher fan unit. (Pushes air from engine through radiator.)

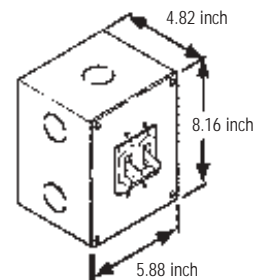
Remote AC Boxes

320-1948: 20A & 30A; AL, AS

320-1950: 30A 2 pole; AL

320-1949: 35A 2 pole; AL

320-1840: 45A 2 pole; AG

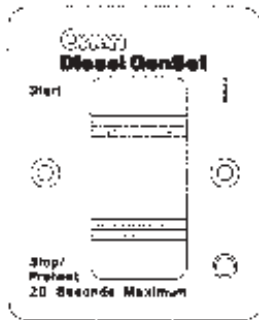


Remote Control Panels

300-4939

Switch Only

For use with all standard diesel GenSets. Features an illuminated start/stop switch with mounting plate. The kit includes mounting screws, panel assembly and instruction sheet with mounting template. Onan extension harnesses Part #338-3490-01 and 338-3490-02 provide easy plug-in connection. (Instruction Sheet #C-538.)



300-4940

Switch and Hourmeter

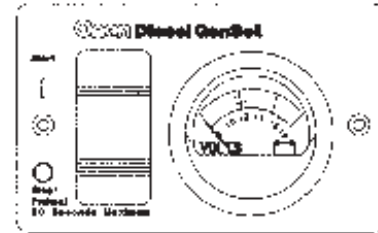
For use with all standard diesel GenSets. Features an illuminated start/stop rocker switch and hourmeter with mounting plate. The kit includes mounting screws, panel assembly and instruction sheet with mounting template. Onan extension harnesses Part #338-3490-01 and 338-3490-02 provide easy plug-in connection. (Instruction Sheet #C-538.)



300-4941

Switch and Voltmeter

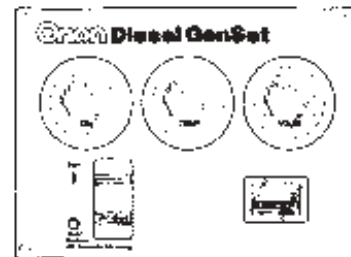
For use with all standard diesel GenSets. Features an illuminated start/stop rocker switch and voltmeter with mounting plate. The kit includes mounting screws, panel assembly and instruction sheet with mounting template. Onan extension harnesses Part #338-3490-01 and 338-3490-02 provide easy plug-in connection. (Instruction Sheet #C-538.)



300-5026

Remote Gauge Panel

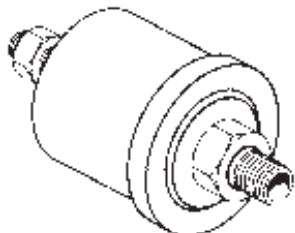
For use with all standard diesel GenSets. Features an illuminated start/stop rocker switch, DC voltage meter, water temperature gauge, oil pressure gauge and hourmeter with mounting plate. The kit includes mounting screws, panel assembly and instruction sheet with mounting template. Onan extension harnesses Part #338-3490-01 and 338-3490-02 provide easy plug-in connection. (Instruction Sheet #C-546.) **When used on HDKAL and HDKAS, also requires oil pressure sender Part #193-0244 and coolant temperature sender Part #193-0318.**



Senders

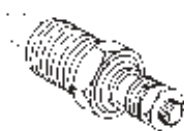
193-0244

Oil Pressure Sender



193-0318

Coolant Temperature Sender



300-4966

Remote DC Gauge Kit

DC gauge package kit for the HDKAS and HDKAL. Features an oil pressure gauge, water temperature gauge and DC voltage meter. Can be set or remote mounted.

Harnesses

300-4947

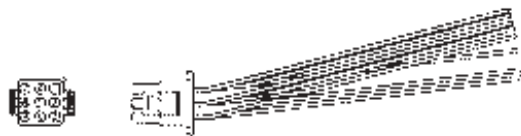
Pigtail to Set

Pigtail that connects to the sealed remote connector on HDKAS, AL diesel GenSets with sealed remote connector.



338-2102

Pigtail to Set, HDKAG



338-3490-01

10 Foot Remote Harness HDKAS, AL

338-3490-02

30 Foot Remote Harness HDKAS, AL



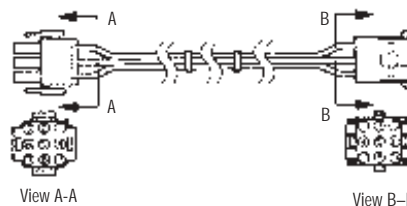
338-2237

15 Foot Remote Harness HDKAG

338-2238

25 Foot Remote Harness HDKAG

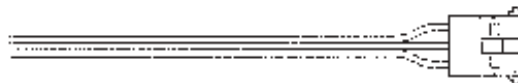
Easy plug connection between GenSets with remote sealed connectors and control panels 300-4939, 300-4940 and 300-4941.



338-3573

Pigtail at Control Panel

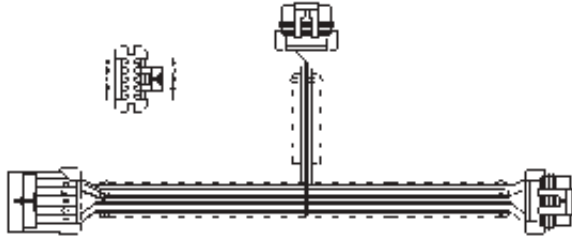
Mating plug and 6 inch harness for use with control panels 300-4939, 300-4940 and 300-4941 to allow the installer to make a harness to connect to the GenSet.



338-3526

Junction Harness

For use with the HDKAS and HDKAL to connect a DC gauge kit and a remote panel or two remote panels.

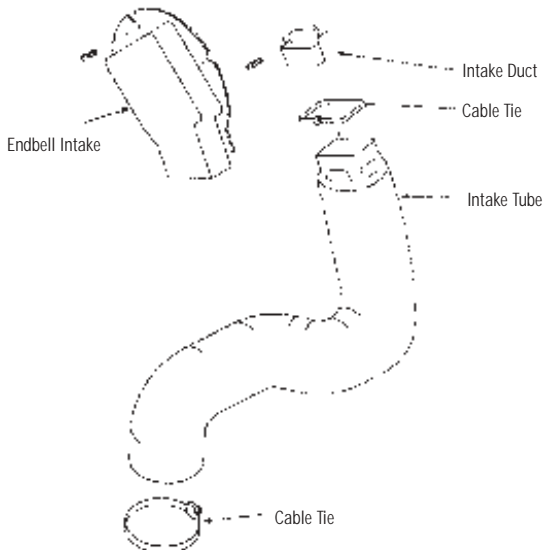


Ducting Kit

140-3214

HDKAS/HDKAL/HDKAG Ducting Kit

For use with the HDKAS, HDKAL and HDKAG suction fan units when mounted in compartments. The kit includes an airduct, hoses, hardware and instruction sheet. (Instruction Sheet #G-407.)



541-0564

Fuel Pump Kit

For use when the set is mounted higher than 36 inches from the fuel source. The kit includes the pump with straight in and out 1/8-27 NPSF fittings, wire connectors and Instruction Sheet #G-435.

Remote Mounted DC Control

For use in mounting the DC control box to a remote location. Requires one each of Part #338-2912 and 338-2914.

338-2912

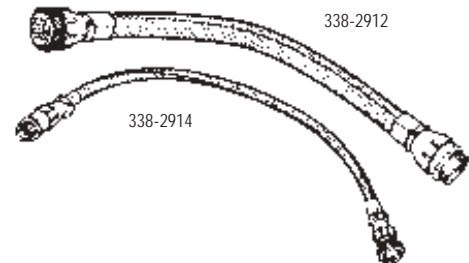
DC Remote Harness

DC Harness	Length
338-2912-01	18 in.
338-2912-02	36 in.
338-2912-03	84 in.
338-2912-04	120 in.
338-2912-05	156 in.

338-2914

AC Remote Harness

AC Harness	Length
338-2914-01	18 in.
338-2914-02	36 in.
338-2914-03	84 in.
338-2914-04	120 in.
338-2914-05	156 in.

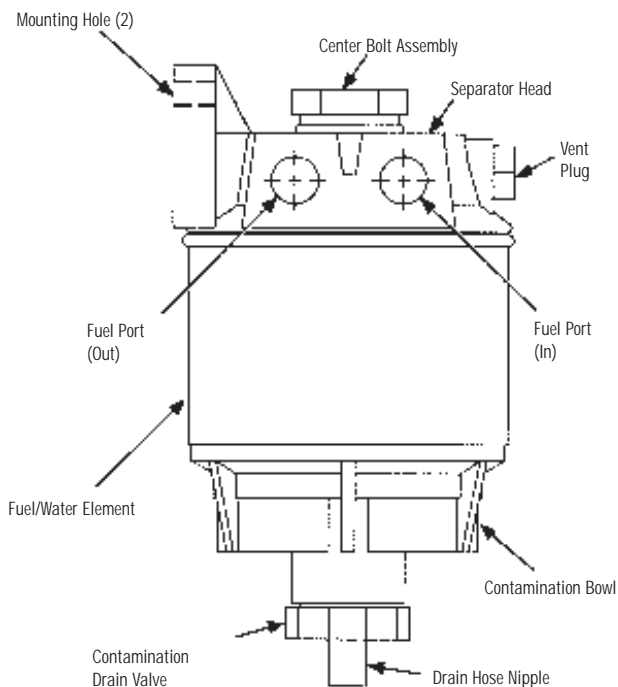


Fuel Filter/Water Separator Kit

149-2573

Racor Fuel Filter/Water Separator Kit

For use with the HDKAS and HDKAL diesel GenSets. Kit includes fuel/water separator and all necessary hardware. (Instruction Sheet #G-297.)

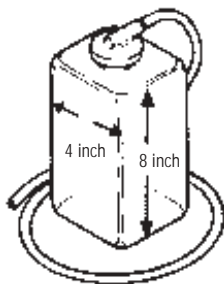


Coolant Overflow Recovery Kit

130-2781

Coolant Overflow Recovery Kit

One quart capacity. Fits with standard vented cap. Allows recovery of coolant in high ambient operation. (Instruction Sheet #A-304.)

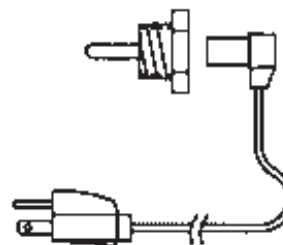


Engine Block Heater Kit

333-0593

Engine Block Heater Kit

For use with all standard diesel GenSets. 400W, 120VAC. (Instruction Sheet #G-288.) Will NOT work on the CMQD genset.

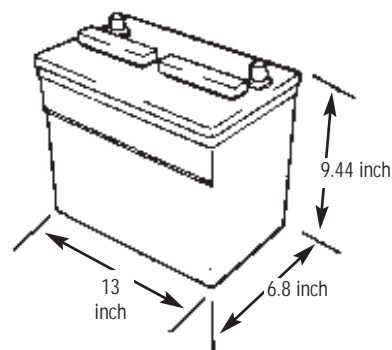


Batteries

416-0796

Battery

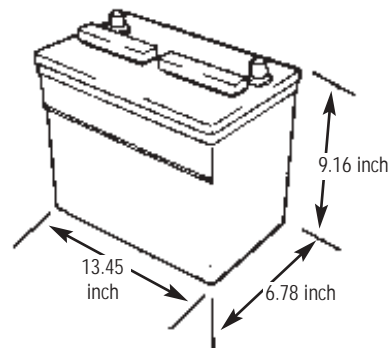
12V; SAE 31, 660 cold cranking amps at 0° F, 62 pounds, wet.



416-0823

Battery

12V; SAE 30H, 620 cold cranking amps at 0° F, 42 pounds, dry.





Air Cleaner Kit

541-0531

Remote Air Cleaner Kit HDKAT

For use when access to the set mounted air cleaner is limited. (Instruction Sheet #G-299.)



Fuel Pump Kit

541-0530

Auxiliary Fuel Pump Kit HDKAT

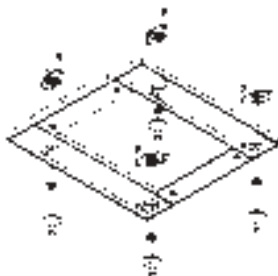
For use when the set is mounted higher than 36 inches from the fuel source. The kit includes an electric fuel pump, wiring harness, grommet and instruction sheet. (Instruction Sheet #G-300.)

Isolation Kit

402-0752

HDCAC Secondary Vibration Isolation Kit

For use with the HDCAC and HDCAD GenSets in applications that are very sensitive to vibration. Kit includes sub-base, isolators, hardware and instructions. (Instruction Sheet #G-427.)



Exhaust Components

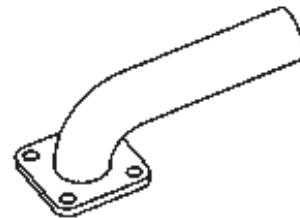
155-2982

Exhaust Elbow HDKAT

155-3194

Exhaust Elbow HDCAC

90° exhaust adapter elbow. Adapts flange to 1-3/8 inch O.D. tube. (For use with 1-1/2 inch O.D. tailpipe.)



155-2610

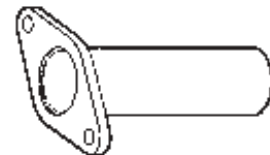
3-Inch Exhaust Tube

Straight tube, adapts flange to 1-3/8 inch O.D. tube. (For use with 1-1/2 inch O.D. tailpipe.)

155-2424

7-Inch Exhaust Tube

Straight tube, adapts flange to 1-3/8 inch O.D. tube. (For use with 1-1/2 inch O.D. tailpipe.)

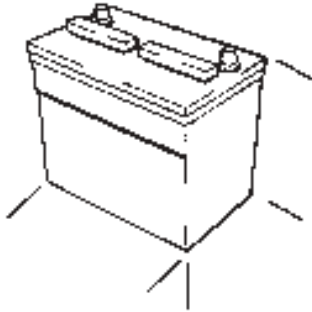


Batteries

416-0795

Battery

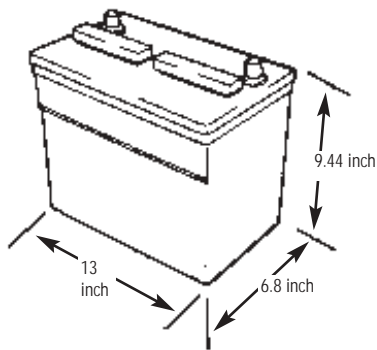
12V; SAE 31, 475 cold cranking amps at 0° F, 57 pounds.



416-0796

Battery

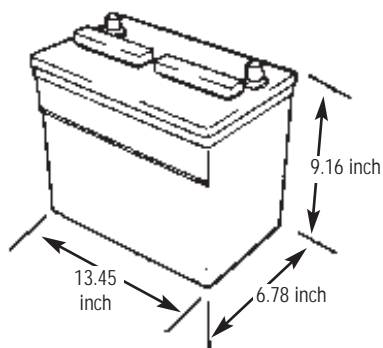
12V; SAE 31, 600 cold cranking amps at 0° F, 62 pounds, wet.



416-0823

Battery

12V; SAE 30H, 620 cold cranking amps at 0° F, 42 pounds, dry.



Remote Control Panels

300-4942

Switch Only

For use with all Quiet Diesel GenSets. Features an illuminated start/stop switch and flashing light code with mounting plate. The kit includes mounting screws, panel assembly and instruction sheet with mounting template. Onan extension harnesses Part #338-3490-01 and 338-3490-02 provide easy plug-in connection. (Instruction Sheet #C-539).



300-4943

Switch and Hourmeter

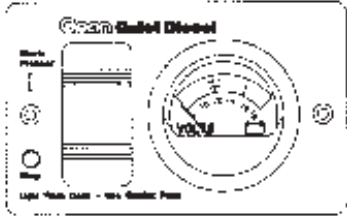
For use with all Quiet Diesel GenSets. Features an illuminated start/stop rocker switch, flashing light code and hourmeter with mounting plate. The kit includes mounting screws, panel assembly and instruction sheet with mounting template. Onan extension harnesses Part #338-3490-01 and 338-3490-02 provide easy plug-in connection. (Instruction Sheet #C-539).



300-4944

Switch and Voltmeter

For use with all Quiet Diesel GenSets. Features an illuminated start/stop rocker switch, flashing light code and voltmeter with mounting plate. The kit includes mounting screws, panel assembly and instruction sheet with mounting template. Onan extension harnesses Part #338-3490-01 and 338-3490-02 provide easy plug-in connection. (Instruction Sheet #C-539).



300-5027

300-5218

Remote Gauge Panels

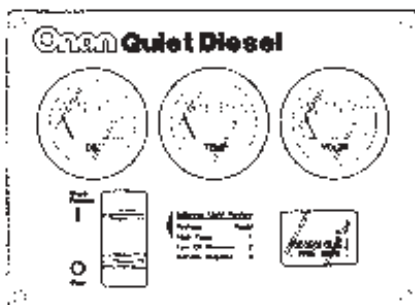
For use with Quiet Diesel GenSets. Features an illuminated start/stop rocker switch, DC voltage meter, water temperature gauge, oil pressure gauge and hourmeter with mounting plate. The kit includes mounting screws, panel assembly and instruction sheet with mounting template. Onan extension harnesses Part # 338-3490-01 and 338-3490-02 provide easy plug-in connection. (Instruction Sheet #C-547.)

Use 300-5218 for HDKAT Spec A.

Use 300-5027 for HDKAT beginning Spec B.

Use 300-5218 for HDCAC through SN A99.

Use 300-5027 for HDCAC beginning SN B99.



Harnesses

300-4947

Pigtail to Set

Pigtail that connects to the sealed remote connector on all Quiet Diesel GenSets.



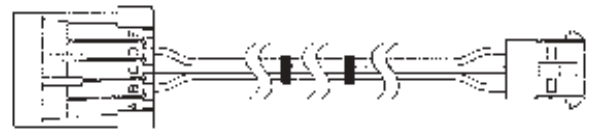
338-3490-01

10 Foot Remote Harness

338-3490-02

30 Foot Remote Harness

Easy plug connection between GenSets with remote sealed connectors and control panels 300-4942, 300-4943, 300-4944, 300-5027 and 300-5218.



338-3573

Pigtail at Control Panel

Mating plug and 6-inch harness for use with control panels 300-4942, 300-4943, 300-4944, 300-5027 and 300-5218 to allow the installer to make a harness to connect to the GenSet.





Control Panels

For use with single phase Protec units. Control panels includes volt-meter, ammeter, hourmeter, frequency meter and line circuit breaker.

Control Panel P/N	Hertz	kW	Circuit Breaker
300-4700	50	12	70 Amp, 2-pole
300-4589	60	15	70 Amp, 2-pole
300-4700	50	16	70 Amp, 2-pole
300-4590	60	20	85 Amp, 2-pole
300-4701	50	20	85 Amp, 2-pole
300-4591	60	25	100 Amp, 2-pole
300-4702	50	25	100 Amp, 2-pole
300-4592	60	30	150 Amp, 2-pole
300-4703	50	30	150 Amp, 2-pole
300-4593	60	35	175 Amp, 2-pole



Output Lead Kits

These output lead kits are sized to 120/240 single phase voltage and 120/208 three phase voltage. If the generator is reconnected to a different voltage, select the kit with the appropriate wire size.

These lead kits consist of 12-foot AC output leads to connect generator to the distribution panel and 12-foot leads to connect the generator to the voltage regulator.

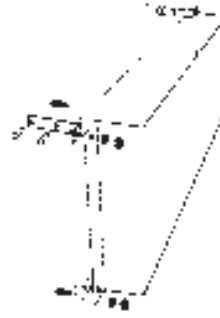
Output Lead P/N	For Use With	Wire Size
541-0519	15 & 20kW, Single & Three Phase	#4 AWG
541-0520	25 kW Single Phase 25 & 32 kW Three Phase	#2 AWG
541-0518	30kW Single Phase 40kW Three Phase	#1 AWG
541-0539	35kW Single Phase	#1/0 AWG



Duct Kit

541-0762

Enclosure Kit (Air Discharge)



Harnesses

The following harnesses allow length extensions by increments of 15 feet.

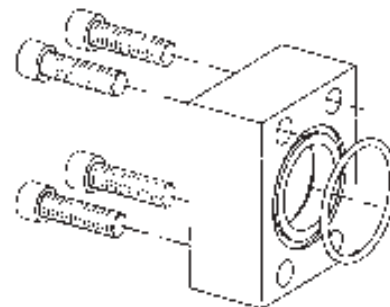
- 338-4086 Harness-Valve From genset to the solenoid valve on the pump manifold
- 338-4087 Harness-Meter (Power) From the genset to the FRC display
- 338-4088 Harness-Sensor (Temp) From the FRC display to the temperature sensor located on the filter assembly on the reservoir
- 338-4089 Harness-AC (Sense) From the genset to the FRC display

Other Accessory Kits

541-0763

Adapter Kit

Adapter kit with O-ring and bolts to allow connection to the suction port on the back of the CMHG hydraulic pump. Adapter is 2" code 61 x -24 SAE straight thread.



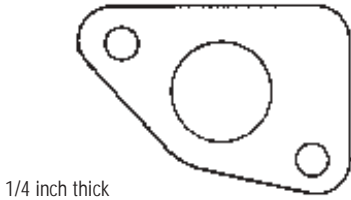


Exhaust Flanges

154-2537

Exhaust Manifold Flange

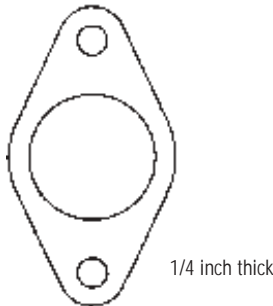
For use with Emerald BGE and NHE GenSets. Steel plate, 1/4-inch thick.



154-0945

Exhaust Manifold Flange

For use with Marquis BGM and NHM and Quiet Diesel GenSets. Steel plate 1/4-inch thick.

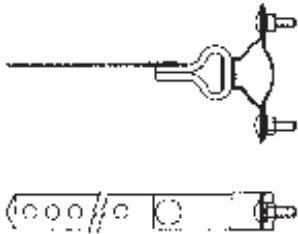


Exhaust Hanger

155-2174

Exhaust Hanger

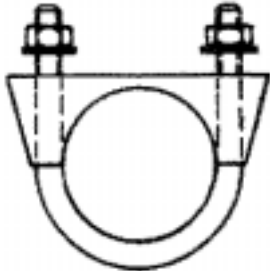
Fits 1-1/2 inch O.D. exhaust tailpipe.



Clamps

The following clamps are marked according to the I.D. (inside diameter) of the tubing being clamped. Onan drawings specify "to fit a specific diameter," inch which is the O.D. (outside diameter) of the tubing. These two numbers differ by 1/8 inch.

Tube O.D.	Tube I.D.	Clamp Stamped	Clamp P/N
1-1/4 in.	1-1/8 in.	1-1/8 in.	155-1256
1-3/8 in.	1-1/4 in.	1-1/4 in.	155-1257
1-1/2 in.	1-3/8 in.	1-3/8 in.	155-1015
1-5/8 in.	1-1/2 in.	1-1/2 in.	155-1239





Installation Templates

The following templates (paper guides) are available to assist you in marking holes for GenSet installations. Contact Onan Commercial Mobile Sales Administrator at fax number 763-574-8289.

Part #	Template Description
539-0977	MicroLite KV underfloor mount. (Included in mounting kit 403-2689.)
539-1386	MicroLite KV compartment mount.
539-1546-01	MicroLite KY compartment mount.
539-1535-01	MicroLite KY underfloor mount.
539-2056	CME HGJAF
539-0885	Commercial Emerald BGD compartment mount.
539-1001	Commercial Emerald BGD underfloor mount. (Included in housing kit 405-5754.)
539-1039	Commercial Emerald NHD compartment mount.
539-0846	Commercial Emerald NHD underfloor mount. (Included in housing kit 405-5753.)
539-2057	CMM HGJAD and CMM EFI HGJAE
539-1102	Marquis BGM and NHM compartment mount. (Templates are not required for underfloor Marquis BGM and NHM installations.) Refer to Installation Manual.
539-1810-01	Quiet Diesel HDKAT
539-1918	Quiet Diesel HDCAC, D
539-1870	Standard diesel HDKAS and HDKAL Spec A.
539-1962	Standard diesel HDKAS and HDKAL Spec B and C.



420-0559

Onan Oil Filter Wrench

Cup-type oil filter wrench for easy removal of GenSet oil filters. Fits all Onan GenSets and all B and P Series engines.

420-0577

Onan Oil Filter Wrench

Cup-type oil filter wrench for easy removal of GenSet oil filters. Fits all Onan CME and CMM GenSets.



326-5365

OnaFresh™ GXL

A premium blended fuel additive formulated for long-lasting protection against gasoline and diesel fuel breakdown. Protects against gum and varnish formation, fuel system corrosion and sludge formation. 16 oz. bottle will treat 40 gallons of gasoline.



326-5278

4C

Get maximum power from engines. 4C Carburetor and Combustion Chamber Cleaner removes power robbing build-up of carbon, gum and varnish. 12 oz. aerosol can.



326-5288

Onagard™

Guard engines and equipment against rust and corrosion. Onagard is the easy way to help protect small engines and other mechanical equipment during off-season storage. 12 oz. aerosol can.



326-5342

Premium Fuel System Cleaner

A premium fuel system cleaner that promotes smoother, more efficient engine operation in all gasoline-fueled engines, fuel injected and carbureted. Cleans dirty carburetors, removes gum and varnish from fuel systems and reduces valve deposits. 12 oz. bottle.





Commercial Mobile GenSet Parts

To use this chart, find the model number and spec on your GenSet's nameplate.

Example: 4.5 BGD-FB 30502 = BGD BEGIN SPEC G

Commercial Emerald	Tune-up Kit	Oil Filter	Air Filter	Fuel Filter Pump/Carb	Spark Plug	Plug Wire Sets
CME 7000, 5500 (HGJAF)		122-0836	140-3116	149-2629	167-1638	
Commercial 4500 (BGD Spec A)	160-1378	122-0645	140-2379	149-1353/149-2333	167-0272	167-1616-01
Commercial 4500 (BGD Spec B)	160-1349-01	122-0645	140-2379	149-1353/149-2333	167-0272	167-1616-01
BGD Begin Spec G	***	122-0645	140-2379	149-1353/149-2333	167-0272	167-1616-01
Commercial 6500 (NHD Spec A-B)	160-1378	122-0800	140-2379	149-1353/149-2333	167-0272	167-1616-01
Commercial 6500 (NHD Spec C)	160-1349-01	122-0800	140-2379	149-1353/149-2333	167-0272	167-1616-01
NHD Begin Spec G	***	122-0800	140-2379	149-1353/149-2333	167-0272	167-1616-01

Marquis

CMM EFI 7000, 5500 (HGJAD)		122-0836	140-3116	147-0860	167-1638	
Marquis 5000 (BGM)	***	122-0645	140-2379	149-2279 (Start Spec B)	167-0272	*
Marquis 7000, 6500 (NHM)	***	122-0800	140-2379	149-2279 (Start Spec B)	167-0272	167-1616-01
CMM 7000, 5500 Gasoline (HGJAE)		122-0836	140-3116	149-2629	167-1638	
LP Vapor (HGJAE)		122-0836	140-3116	149-2637	167-1638	

MicroLite and MicroQuiet

MicroLite 2800/2500 (KV)	***	–	140-2105	149-2137	167-0263-02	*
MicroQuiet 4000/3600 (KY)	***	–	140-2609 (Spec A) 140-2852 (Beg B)	149-2341	167-0275 - 60 Hz 167-0305 - 50 Hz	*

* Ask your Onan Service Distributor/Dealer to assist you in identifying the correct maintenance parts for these models.

*** Electronic ignition. Requires spark plugs only.

Older Onan GenSets

	Tune-up Kit	Oil Filter	Air Filter	Fuel Filter Pump/Carb	Spark Plug	Plug Wire Sets
BF	160-1328-01	122-0645	140-0495	–	167-0237	167-1616-01
BF Power Drawer	160-1154 312-0069	122-0645	140-1220	–	167-0262	167-1616-01
BFA (Spec A), BGA (Spec A)	160-1328-01	122-0645	140-0495	–	167-0237	167-1616-01
BFA (Start Spec B), BGA (Start Spec B), BGAL	160-1348-01	122-0645	140-0495	–	167-0298	167-1616-01
CCK (Spec A-U)	160-0002 312-0069	122-0800	140-0495	–	167-0237	167-1616-01
NH (Spec A-D)	312-0069 160-0002	122-0800	140-0495	–	167-0241	167-1553 (A-C) 167-1616-01 (Beg D)
NH (Spec J-N)	160-1328-01	122-0800	140-0495	–	167-0247	167-1616-01
NH (Start Spec P), NHL	160-1328-01	122-0800	140-0495	–	167-0272	167-1616-01
NH Power Drawer	160-1154 312-0069	122-0800	140-1229	–	167-0262	167-1616-01

Onan Diesel GenSets

	Oil Filter	Air Filter	Fuel Filter	Glow Plug
DKC/DKD (Spec A-B)	122-0827	140-2842	149-1914-05	185-2289
DKD (Begin Spec C)	122-0827	140-2842	149-2106	185-2289
DKG	122-0827	140-2680	149-2106	185-2289
HDKAG	185-5835	140-2842	149-2106	185-6623
Quiet Diesel HDKAJ/T	185-5409	140-2897	149-2513	185-5421
Quiet Diesel HDCAC, D	187-1000	184-3071	149-2513	187-1289
HDKAS, AL, AQ	185-5835	140-3071	149-2106	185-5421

All other models: Ask your certified Onan Distributor/Dealer for details.



Commercial Mobile Service Support Literature

For a complete list of Onan Commercial Mobile literature, including manuals for older models, see the Onan Pre-Sale Literature Guide (932-0244), and Onan Post-Sale Literature Guide (932-0112), or contact your Onan Distributor/Dealer.

Manuals

Current Model/Series	Operator's Manual	Service Manual	Installation Manual	Parts Manual
BGD	965-0175	965-0500	965-0632	965-0228
BGM	965-0138	965-0531	965-0633	965-0267
HDKAG	981-0149	981-0516	981-0605	981-0252
KV	981-0153	981-0518	981-0604	981-0238
KY	965-0154	981-0503	981-0607	981-0246
NHD	965-0175	965-0500	965-0632	940-0229
NHM	965-0138	965-0531	965-0633	940-0230
HDKAL,S	981-0104	981-0523	981-0619	981-0256
HDKAT	965-0100	981-0522	981-0610	981-0200
HDCAC	965-0152	981-0526	981-0615	981-0259
HDCAD	981-0165	981-0525	981-0632	981-0259
HGJAD, E, F	983-0102	983-0501	983-0601	983-0202
Protec YD CR	929-0101	900-0184	929-0601	929-0201
2.5 EGH	965-0100	965-0520	N/A	981-0242
4.0 EGH	965-0100	965-0520	N/A	981-0243
5.0/6.0 EGH	965-0100	965-0520	N/A	965-0203

Commercial Mobile Specification Sheets

Form #	Model #	Outline Drawing #
Gasoline Gensets		
A-1384	Commercial MicroLite 2800	500-2182
A-1421	Commercial MicroQuiet 4000	500-3297
A-1438	CME 5500	500-3450
A-1439	CME 7000	500-3450
A-1386	Commercial Emerald 4500	500-3002
A-1389	Commercial Emerald 6500	500-3003
A-1440	CMM 5500	500-3449
A-1441	CMM 7000	500-3449
A-1442	CMM EFI 5500	500-3449
A-1443	CMM EFI 7000	500-3449
A-1387	Commercial Marquis 5500	500-2442
A-1391	Commercial Marquis 7000	500-2442

Form #	Model #	Outline Drawing #
Diesel Gensets		
A-1392	Commercial Quiet Diesel 7.5	500-3159
A-1412	Commercial Quiet Diesel 10	500-3295
A-1437	Commercial Quiet Diesel 12	500-3295
A-1388	Commercial 5.0/6.0 kW	500-3288
A-1390	Commercial 6.0/7.5 kW	500-3288
A-1393	Commercial 8/10 kW	500-3105

Hydraulic

A-1435	CMHG 6000	500-3452
A-1436	CMHG 8000	500-3452

PTO Protec

A-1394	Protec AC PTO 12-40 kW	500-3142
--------	------------------------	----------

Miscellaneous Service Support Literature

<u>Onan Parts Technical Bulletin #2 "Prevention of Carbon Deposit Build-up in Engine Fuel Systems"</u>	F-989
<u>Onan Premium Fuel System Cleaner Flyer</u>	F-754
<u>4C Combustion Chamber and Carburetion Cleaner Flyer</u>	F-706
<u>Full-line Brochure Kit (includes 1405 & 1406)</u>	F-1415
<u>Full-Line Product Brochure</u>	F-1405
<u>Specifications Insert</u>	F-1406
<u>MicroQuiet 4000 Flyer</u>	F-1251
<u>Certified Service and Parts Dealer Directory</u>	F-1060



Commercial Mobile Service Support Video Tapes

Service Video Tapes

The following is a list of available video tapes provided to support your Onan Commercial Mobile GenSet service business. Contact your Onan Distributor/Dealer for costs and more information.

Video Tape	Description
MicroLite Disassembly/Reassembly <i>TTV101</i>	Describes internal workings and parts of the KV MicroLite. Covers disassembly sequences. 17 minutes.
Emerald Service Tune-Up <i>TTV100</i>	Describes service manual content. Intended for service technicians. Covers “top-end” repairs in majority of GenSet service work. 37 minutes.
2-Cylinder Engine Troubleshooting <i>TTV102</i>	Covers engine components, systems and troubleshooting procedures for Onan brand P series two-cylinder gasoline engines. 40 minutes.
Engine Update I <i>TTV103</i>	Covers decarbon and valve service procedures for the Onan Performer™ Vertical Shaft engine. 19 minutes.
Engine Update II Maximizing Engine Life <i>TTV108</i>	Covers factors and correct procedures for maximizing engine life span. Goes beyond maximizing engine standard operator information. 24 minutes.
Engine Update III <i>TTV110</i>	Covers troubleshooting and reconditioning cylinders on Onan 2-cylinder gasoline engines. 24 minutes.
Engine Update IV <i>TTV112</i>	Covers LP installing, operating and troubleshooting gaseous fuel systems. 26 minutes.
Commercial GenSet Service Video <i>TTV113</i>	This service video covers commercial Emerald GenSets up to Spec G, and DK GenSets up to Spec C. The following information is covered: <ul style="list-style-type: none">• Through individual sections you will be instructed on how to connect a load bank.• Testing and adjusting the GenSet carburetor, governor and output voltage.• Installing the Magna Arc Electronic ignition kit.• Troubleshooting sets that die whenever the start switch is released.

Index of Accessories by Model



CME (HGJAF 5500, 7000)	8	CMSD Series (HDKAS, AL, AG)	24
Mounting Kit	8	Exhaust Components	24
Enclosure Assembly.....	8	Fan Conversion Kits	24
Installation Templates.....	8	Remote AC Boxes	24
Exhaust Kits	8	Remote Control Panels	25
LPG Vapor Fuel Conversion Kit	9	Senders	26
Oil Drain & Other Accessory Kits	9	Harnesses	26
Harnesses	9	Ducting Kits.....	27
CMM, CMM EFI (HGJAE 5500, 7000 & HGJAD 5500, 7000)	10	Remote Mounted DC Control	27
Mounting Kit	10	Fuel Filter/Water Separator Kit	28
Installation Templates.....	10	Coolant Overflow Recovery Kit.....	28
Tailpipe & Exhaust Tube Kits.....	10	Engine Block Heater Kit.....	28
Exhaust & Tailpipe Tube Kits.....	10	Batteries	28
Circuit Breaker Kits	10	CMQD (HDKAT, HDCAC, HDCAD)	29
Oil Drain & Other Accessory Kits	11	Air Cleaner Kit	29
Fuel Pump Kits	11	Fuel Pump Kit	29
Harnesses	12	Isolation Kit	29
MicroLite KV (KV 2000, 2300, 2500, 2800)	13	Exhaust Components	29
Tailpipe & Exhaust Tube Kits.....	13	Batteries	30
Installation Templates.....	14	Remote Control Panels	30
Mounting Conversion Kits	14	Harnesses	31
MicroLite KY (KY 3300, 3600) and MicroQuiet 4000	15	Protec PTO	32
Mounting Kits	15	Control Panels	32
Installation Templates.....	15	Output Lead Kits	32
Exhaust Kits	15	Housing	32
Commercial Emerald (BGD 4000, 4500 & NHD 5000, 6500)	16	Harnesses	32
Muffler Kits	16	Other Accessory Kits	32
Marquis (BGM 5500 & NHM 6500, 7000)	19	Special Components	33
LPG Vapor Regulator Kit	19	Exhaust Flanges	33
Installation Templates.....	19	Exhaust Hanger.....	33
Electronic Governor Kits	19	Clamps	33
Extended Oil Fill Kit.....	19	Installation Templates	34
Tailpipe & Exhaust Tube Kits.....	20		
Oil Drain Kit.....	20		
Circuit Breaker Kits	21		
LPG Vapor Fuel Conversion Kit	21		
Housing Kit	21		
Battery Charging Kit	21		
Installation Template	21		
Extended Oil Fill Kit.....	21		
General Gasoline and LP Accessories	22		
Battery.....	22		
Exhaust Resonator	22		
Remote Control Panels	22		
Harnesses	23		



Index of Accessories by Part Number

Part Number	Item	Page
0123-2164	Remote Oil Filter Kit	11
102-1395	Oil Drain Kit	20
130-2781	Coolant Overflow Recovery Kit	28
130-4121	Sucker Fan Kit	24
130-4556	Pusher Fan Kit	24
130-5041	Pusher Fan Kit	24
130-5042	Sucker Fan Kit	24
140-3214	HDKAS/HDKAL/HDKAG Ducting Kit	27
148-1107	LPG Vapor Regulator Kit	19
148-1108-03	NHM LPG Vapor Fuel Conversion Kit	21
148-1161	CME LPG Vapor Fuel Conversion Kit	9
149-2573	Racor Fuel Filter/Water Separator Kit	28
151-0759	NHD Electronic Governer Kit	19
151-0760	BGD Electronic Governer Kit	19
154-0945	Exhaust Manifold Flange	33
154-2174	Exhaust Hanger	33
154-2537	Exhaust Manifold Flange	33
154-2852	Exhaust Adapter	24
154-3003	Rain Cap Option	18
155-1015	Tubing Clamp, 1-3/8 inch	33
155-1239	Tubing Clamp, 1-1/2 inch	33
155-1256	Tubing Clamp, 1-1/8 inch	33
155-1257	Tubing Clamp, 1-1/4 inch	33
155-2068	Muffler	24
155-2262	Muffler	24
155-2324	Stainless Steel Exhaust Tube Kit	13
155-2325	Aluminized Steel Tailpipe Kit	13
155-2401-02	Exhaust Pipe Shroud	20
155-2402-02	Exhaust Pipe Shroud	20
155-2424	7-inch Exhaust Tube	20, 29
155-2425	7.5 Inch Stainless Steel Extended Down Tube Kit	13
155-2426	Rear or Side Exit Exhaust Adapter Kit	20
155-2449	Exhaust Resonator	22
155-2610	3-inch Exhaust Tube	20, 29
155-2610-01	12 1/2-inch Exhaust Tube	10, 20
155-2653	Exhaust Resonator	24
155-2771	11.8 Inch Stainless Steel Extended Down Tube Kit	14
155-2845	Tailpipe Kit	15
155-2847	Elbow Adapter Kit	16
155-2850	Exhaust Tube	16
155-2982	Exhaust Elbow HDKAT	29
155-3194	Exhaust Elbow HDCAC	29
155-3408	CME Exhaust Kit	8
155-3409	CME Exhaust Kit	8
155-3410	CME Exhaust Kit	8
155-3411	CME Exhaust Kit	8
155-3439	Exhaust Elbow	10
155-3481-01	22-inch Tailpipe	10
155-3481-02	26-inch Tailpipe	10
193-0244	Oil Pressure Sender	26
193-0318	Coolant Temperature Sender	26
300-4589	Protec Control Panel	32
300-4590	Protec Control Panel	32
300-4591	Protec Control Panel	32
300-4592	Protec Control Panel	32
300-4593	Protec Control Panel	32
300-4700	Protec Control Panel	32
300-4701	Protec Control Panel	32
300-4702	Protec Control Panel	32
300-4703	Protec Control Panel	32
300-4936	Remote Control Panel without Diagnostic Light	22
300-4937	Remote Control Panel without Diagnostic Light	22
300-4938	Remote Control Panel without Diagnostic Light	22
300-4939	Remote Control Panel, Switch Only	25
300-4940	Remote Control Panel, Switch and Hourmeter	25
300-4941	Remote Control Panel, Switch and Voltmeter	25
300-4942	Remote Control Panel, Switch Only	30
300-4943	Remote Control Panel, Switch and Hourmeter	30
300-4944	Remote Control Panel, Switch and Voltmeter	31
300-4947	Pigtail to Set Harness	26, 31
300-4966	Remote DC Gauge Kit	26
300-5026	Remote Gauge Panel	25
300-5027	Remote Gauge Panel	31
300-5218	Remote Gauge Panel	31
300-5331	Remote Control Panel with Diagnostic Light	22
300-5332	Remote Control Panel with Diagnostic Light	22
300-5333	Remote Control Panel with Diagnostic Light	22
305-0979	Pigtail to Set	9, 12

Index of Accessories by Part Number, *cont.*

320-157230-Amp Circuit Breaker Kit.....10	338-4155-02.....30 foot long 6-wire Remote Harness23
320-157230-Amp NHM Circuit Breaker Kit21	338-4156Pigtail 6-wire23
320-168320-Amp Circuit Breaker Kit.....10	402-0752HDCAC Secondary Vibration Isolation Kit29
320-168320-Amp NHM Circuit Breaker Kit21	403-2689Mounting Kit14
320-1840Remote AC Box, 45A 2 pole; AG24	403-3630Base Adapter Kit15
320-1948Remote AC Box, 20A & 30A; AL, AS.....24	403-3670Underfloor Mounting Kit15
320-1949Remote AC Box, 35A 2 pole; AL.....24	405-4241Housing Kit15, 21
320-1950Remote AC Box, 30A 2 pole; AL.....24	405-5753Commercial NHD Underfloor Mount18
333-0593Engine Block Heater Kit28	405-5754Commercial BGD Underfloor Mount18
338-2102Pigtail to Set, HDKAG26	405-6698CME Underfloor Mount8
338-223715 Foot Remote Harness HDKAG26	405-6699Mounting Kit10
338-223825 Foot Remote Harness HDKAG.....26	416-0579Battery22
338-2912DC Remote Harness27	416-0795Battery30
338-2912-01.....DC Remote Harness, 18 inch27	416-0796Battery28, 30
338-2912-02.....DC Remote Harness, 36 inch27	416-0823Battery28, 30
338-2912-03.....DC Remote Harness, 84 inch27	539-0885BGD Compartment Mount Installation Template19
338-2912-04.....DC Remote Harness, 120 inch27	539-0977Underfloor MicroLite KV Installation Template14
338-2912-05.....DC Remote Harness, 156 inch27	539-1039NHD Compartment Mount Installation Template19
338-2914AC Remote Harness27	539-1102BGM and NHM Installation Template21
338-2914-01.....AC Remote Harness, 18 inch27	539-1386Compartment Mount MicroLite KV Installation Template14
338-2914-02.....AC Remote Harness, 36 inch27	539-1535-01.....Underfloor MicroLite KY Installation Template15
338-2914-03.....AC Remote Harness, 84 inch27	539-1546-01Compartment Mount MicroLite KY Installation Template15
338-2914-04.....AC Remote Harness, 120 inch27	539-2056CME Compartment Mount Installation Template8
338-2914-05.....AC Remote Harness, 156 inch27	539-2057Underfloor Marquis HGJAE, HGJAD Installation Template10
338-3489-01.....5-wire, 10 Foot Remote Harness9, 12	541-0456BGD Extended Oil Fill (BGD only)19
338-3489-02.....5-wire, 30 Foot Remote Harness9, 12	541-0466Battery Charging Kit21
338-3490-01.....10 Foot Remote Harness HDKAS, AL26	541-0474Extended Oil Fill for BGM/NHM21
338-3490-01.....10 Foot Remote Harness.....31	541-0518Protec Output Lead Kit32
338-3490-02.....30 Foot Remote Harness HDKAS, AL26	541-0519Protec Output Lead Kit32
338-3490-02.....30 Foot Remote Harness.....31	541-0520Protec Output Lead Kit32
338-3513New Set to Old Panel Adapter Harness.....23	541-0530Auxiliary Fuel Pump Kit HDKAT29
338-3526Junction Harness.....27	541-0531Remote Air Cleaner Kit HDKAT29
338-3572Pigtail at Control Panel.....23	541-0539Protec Output Lead Kit32
338-3573Pigtail at Control Panel26, 31	541-0564Fuel Pump Kit27
338-3673Old Set to New Panel Adpater Harness.....23	541-0608-01.....Remote Oil Filter Kit9, 11
338-4086Harness-Valve.....32	541-0612-01.....Enclosure Assembly8
338-4087Harness-Meter (Power)32	541-0612-02.....Side Assembly.....8
338-4088Harness-Sensor (Temp).....32	
338-4089Harness-AC (Sense)32	
338-4155-01.....10 foot long 6-wire Remote Harness23	

Index of Accessories by Part Number, *cont.*

541-0671EFI Fuel Pump Kit	11
541-0672EFI Fuel Pump Kit	11
541-0673EFI Fuel Pump Kit	11
541-0762Enclosure Kit (Air Discharge)	32
541-0763Adapter Kit	32
541-0767EFI Fuel Pump Kit	11
541-0786EFI Fuel Pump Kit	11
542-0265Top Outlet Muffler Kit	18
542-0268BGD Under Set Muffler Kit	18
542-0327BGD, Left Side Muffler Kit.....	16
542-0328NHD, Left Side Outlet Muffler Kit	16
542-0334BGD Rear Vertical Exhaust Kit	17
542-0335NHD Rear Vertical Exhaust Kit	17
542-0336Start Enable Relay Kit.....	23
542-0337BGD, Right Side Outlet Muffler Kit	16
542-0338NHD, Right Side Outlet Muffler Kit	16
542-0341BGD/NHD Flat Vertical Exhaust Kit	18
542-0343BGD Vertical Muffler/Tailpipe Kit	18
542-0469Front Outlet Muffler Kit.....	17
542-0470Side Outlet Muffler Kit	17
542-0482Rear Outlet Muffler Kit	17
542-0494BGD, Large Diameter Muffler Kit	16
542-0495NHD, Large Diameter Muffler Kit	16

Contact your Distributor/Dealer for more information:



To easily locate the nearest Onan Distributor/Dealer, or for more information,
contact Onan at 1-800-888-Onan or 763-574-5000; 1400 73rd Ave. N.E.,
Minneapolis, MN 55432 U.S.A.; FAX 763-574-5298.
www.onan.com

Onan is a subsidiary of Cummins Inc. ©2002 Onan Corporation.
Onan is a registered trademark of Onan Corporation.